

BALDOR®

A MEMBER OF THE ABB GROUP

501

Effective: October 1, 2014

Standard Product Catalog



Making Your Job Easier...

Baldor Electric Company

Baldor Electric Company provides up to date data to our customers on our www.baldor.com web site that can be accessed for:

**Local Sales Offices
Authorized Distributors
Sales Terms and Conditions
Freight Policy
Warranty Policy**

**Authorized Service Centers
Product Literature
Energy Efficiency Information
Customer Product Education**

Baldor Sales Offices

UNITED STATES

ARIZONA PHOENIX

4211 S 43RD PLACE
PHOENIX, AZ 85040
PHONE: 602-470-0407
FAX: 602-470-0464

ARKANSAS CLARKSVILLE

706 WEST MAIN STREET
CLARKSVILLE, AR 72830
PHONE: 479-754-9108
FAX: 479-754-9205

CALIFORNIA LOS ANGELES

6480 FLOTILLA STREET
COMMERCE, CA 90040
PHONE: 323-724-6771
FAX: 323-721-5859

HAYWARD

21056 FORBES STREET
HAYWARD, CA 94545
PHONE: 510-785-9900
FAX: 510-785-9910

COLORADO

DENVER

3855 FOREST STREET
DENVER, CO 80207
PHONE: 303-623-0127
FAX: 303-595-3772

CONNECTICUT

WALLINGFORD

65 SOUTH TURNPIKE ROAD
WALLINGFORD, CT 06492
PHONE: 203-269-1354
FAX: 203-269-5485

FLORIDA

TAMPA/PUERTO RICO/ VIRGIN ISLANDS

3906 EAST 11TH AVENUE
TAMPA, FL 33605
PHONE: 813-248-5078
FAX: 813-241-9514

GEORGIA

ATLANTA

62 TECHNOLOGY DRIVE
ALPHARETTA, GA 30005
PHONE: 770-772-7000
FAX: 770-772-7200

ILLINOIS

CHICAGO

340 REMINGTON BLVD.
BOLINGBROOK, IL 60440
PHONE: 630-296-1400
FAX: 630-226-9420

INDIANA

INDIANAPOLIS

5525 W. MINNESOTA STREET
INDIANAPOLIS, IN 46241
PHONE: 317-246-5100
FAX: 317-246-5110

IOWA

DES MOINES

1943 HULL AVENUE
DES MOINES, IA 50313
PHONE: 515-263-6929
FAX: 515-263-6515

MARYLAND

BALTIMORE

7071A DORSEY RUN RD
ELKBRIDGE, MD 21075
PHONE: 410-579-2135
FAX: 410-579-2677

MASSACHUSETTS

BOSTON

6 PULLMAN STREET
WORCESTER, MA 01606
PHONE: 508-854-0708
FAX: 508-854-0291

MICHIGAN

DETROIT

5993 PROGRESS DRIVE
STERLING HEIGHTS, MI 48312
PHONE: 586-978-9800
FAX: 586-978-9969

MINNESOTA

MINNEAPOLIS

13098 GEORGE WEBER DR,
SUITE 400
ROGERS, MN 55374
PHONE: 763-428-3633
FAX: 763-428-4551

MISSOURI

ST LOUIS

13678 LAKEFRONT DRIVE
EARTH CITY, MO 63045
PHONE: 314-373-3032
FAX: 314-373-3038

KANSAS CITY

9810 INDUSTRIAL BLVD.
LENEXA, KS 66215
PHONE: 816-587-0272
FAX: 816-587-3735

NEW YORK

AUBURN

ONE ELLIS DRIVE
AUBURN, NY 13021
PHONE: 315-255-3403
FAX: 315-253-9923

NORTH CAROLINA

GREENSBORO

1220 ROTHERWOOD ROAD
GREENSBORO, NC 27406
PHONE: 336-272-6104
FAX: 336-273-6628

OHIO

CINCINNATI

2929 CRESCENTVILLE ROAD
WEST CHESTER, OH 45069
PHONE: 513-771-2600
FAX: 513-772-2219

CLEVELAND

8929 FREEWAY DRIVE
MACEDONIA, OH 44056
PHONE: 330-468-4777
FAX: 330-468-4778

OKLAHOMA

TULSA

5555 E. 71ST ST., SUITE 9100
TULSA, OK 74136
PHONE: 918-366-9320
FAX: 918-366-9338

OREGON

PORTLAND

12651 SE CAPPS ROAD
CLACKAMAS, OR 97015
PHONE: 503-691-9010
FAX: 503-691-9012

PENNSYLVANIA

PHILADELPHIA

103 CENTRAL AVENUE
SUITE 400B
MOUNT LAUREL, NJ 08054
PHONE: 856-840-8011
FAX: 856-840-0811

PITTSBURGH

159 PROMINENCE DRIVE
NEW KENSINGTON, PA 15068
PHONE: 724-889-0092
FAX: 724-889-0094

TENNESSEE

MEMPHIS

4000 WINCHESTER ROAD
MEMPHIS, TN 38118
PHONE: 901-365-2020
FAX: 901-365-3914

TEXAS

DALLAS

2920 114TH STREET SUITE 100
GRAND PRAIRIE, TX 75050
PHONE: 214-634-7271
FAX: 214-634-8874

HOUSTON

10355 W. LITTLE YORK ROAD
SUITE 300
HOUSTON, TX 77041
PHONE: 281-977-6500
FAX: 281-977-6510

UTAH

SALT LAKE CITY

2230 SOUTH MAIN STREET
SALT LAKE CITY, UT 84115
PHONE: 801-832-0127
FAX: 801-832-8911

WISCONSIN

MILWAUKEE

1960 SOUTH CALHOUN ROAD
NEW BERLIN, WI 53151
PHONE: 262-784-5940
FAX: 262-784-1215

CANADA

EDMONTON, ALBERTA

4053-92 STREET
EDMONTON, ALBERTA T6E 6R8
PHONE: 780-434-4900
FAX: 780-438-2600

TORONTO

OKVILLE, ONTARIO

2910 BRIGHTON ROAD
OKVILLE, ONTARIO, CANADA L6H 5S3
PHONE: 905-829-3301
FAX: 905-829-3302

MONTREAL, QUEBEC

5155 J-ARMAND BOMBARDIER
SAINT-HUBERT, QUÉBEC
CANADA J3Z 1G4
PHONE: 514-933-2711
FAX: 514-933-8639

VANCOUVER,

BRITISH COLUMBIA

1538 KEBET WAY
PORT COQUITLAM,
BRITISH COLUMBIA V3C 5M5
PHONE 604-421-2822
FAX: 604-421-3113

INTERNATIONAL SALES

TO BUY PRODUCT OUTSIDE OF THESE
LOCATIONS, PLEASE CONTACT ABB AT:
<http://www.abb.com/contacts>

Table of Contents

Single Phase Motors

Single Phase, TEFC, Foot Mounted 10
 Single Phase, TEFC, C-Face, No Drip Cover 12
NEW! Small Motor Rule, Single Phase,
 Open Drip Proof, Foot Mounted..... 13
 Single Phase, ODP, Foot Mounted..... 14
 Single Phase, ODP, C-Face 16

General Purpose Industrial Motors

Three Phase, Totally Enclosed, Foot Mounted..... 17
 Three Phase, Totally Enclosed, C-Face, Foot Mounted 21
 Three Phase, Totally Enclosed, C-Face, Footless 23
NEW! Small Motor Rule, Three Phase,
 Open Drip Proof, Foot Mounted..... 25
 Three Phase, Open Drip Proof, Foot Mounted 26
 Three Phase, Open Drip Proof, C-Face, Foot Mounted..... 29
 Three Phase, Open Drip Proof, C-Face, Footless..... 30
 F-2 Mount, Three Phase, TEFC and ODP, Foot Mounted..... 31

Severe Duty Motors

Three Phase, Totally Enclosed, 460 & 230/460 Volts,
 Foot Mounted..... 32
 Three Phase, Totally Enclosed, 575 Volts, Foot Mounted 36
 Three Phase, Totally Enclosed, 460 & 230/460 Volts, C-Face 37
 IEEE 841, Three Phase, Totally Enclosed, 460 Volts..... 39
 IEEE 841, Three Phase, TEFC, 575 Volts, Foot Mounted 42
 661XL / IEEE 841, Three Phase, TEFC, 460 Volts, Foot Mounted 44
 Quarry Duty Motors, Three Phase, TEFC, Design C, High Torque 45
 Crusher Motors, Three Phase, TEFC, 460 Volt, Foot Mounted..... 46
 Oil Field Pump, Three Phase, TEFC and ODP, Design D,
 Foot mounted..... 47
 Dirty Duty, Three Phase, TEFC..... 48
 Dirty Duty, Autophoretic, Three Phase, 230/460 Volts,
 C-Face, Foot Mounted 49
 Dirty Duty, Autophoretic, Three Phase, 230/460 Volts,
 C-Face, Footless 50
 Division 2 Capabilities 51

Large AC Motors

NEW! Medium Voltage, Three Phase, 2300/4000 Volts,
 TEFC, Foot Mounted 55
 Baldor•Reliance Large AC Motor Capabilities Overview 56
 ABB Large AC Motor Capabilities Overview 57

Washdown Duty Motors

NEW! Single Phase, Totally Enclosed, Foot Mounted 58
 Single Phase, Totally Enclosed, C-Face 58
 Three Phase, Totally Enclosed 59
 Three Phase, Totally Enclosed, C-Face, Foot Mounted 60
 Three Phase, Totally Enclosed, C-Face, Footless 61
 Three Phase, Totally Enclosed, C-Face, 575V 62
 Feather Picker Motor, Three Phase, TEFC, Design C 63
NEW! Super White, Three Phase, Totally Enclosed,
 C-Face, Foot Mounted 64
NEW! Washdown Lead Connection Kits 64
 Brake Motor, Three Phase, Totally Enclosed,
 C-Face, Foot Mounted 65
NEW! Jet Pump, Three Phase, TEFC, C-Face..... 65
 Close-Coupled Pump, Three Phase, Totally Enclosed 66
 SSE Super-E Stainless Steel, Close-Coupled Pump,
 Three Phase, Totally Enclosed, Encapsulated 66

Washdown Duty Motors (con't)

Paint-Free, Three Phase, Totally Enclosed, C-Face 67
 Stainless Steel, Three Phase, Totally Enclosed,
 C-Face, Foot Mounted 68
 Stainless Steel, Three Phase, Totally Enclosed,
 C-Face, Footless 69
 SSE Super-E Stainless Steel, Three Phase, Totally Enclosed,
 C-Face, Foot Mounted, Encapsulated 70
 SSE Super-E Stainless Steel, Three Phase, Totally Enclosed,
 C-Face, Footless, Encapsulated 71
NEW! SSE Super-E Stainless Steel, Three Phase, 575V,
 Totally Enclosed, C-Face, Foot Mounted, Encapsulated 72
 Inverter Motor, Paint Free, Three Phase,
 Totally Enclosed, C-Face 73
 Inverter Motor, Three Phase, TENV, C-Face, Foot Mounted 74
 Vector Motor, Three Phase, TENV, C-Face, Foot Mounted..... 74

Explosion Proof Motors

Single and Three Phase, Foot Mounted 75
 Single and Three Phase, C-Face 78
 575 Volt, Three Phase, Explosion Proof 80
 Severe Duty, Three Phase, 1.15 Service Factor..... 81
 Drill Rig Duty, Three Phase, 1.15 Service Factor..... 82
 Drill Rig Duty, Single Phase, C-Face, 1.15 Service Factor,
 Foot Mounted..... 86
 Drill Rig Duty, Close Coupled Pump 86
 Jet Pump, Footless..... 87
 Close-Coupled Pump, Three Phase..... 87
 Explosion Proof, Inverter Duty, Class I, Group D, Foot Mounted..... 88
 Explosion Proof, Inverter Duty, Class I, Group D, C-Face,
 Foot Mounted..... 88
 Explosion Proof, Inverter Duty, Class I, Group D,
 Class II, Group F&G, C-Face, Foot Mounted, 10:1 CT, 10:1 VT 89
NEW! Explosion Proof, Inverter Duty, Class I, Group C&D,
 Class II, Group F&G T3C (160°C) Temperature Code,
 4:1 CT, 10:1 VT 90

Pump Motors

Jet Pump, Single Phase, TEFC 91
 Jet Pump, Single Phase, ODP 92
 Jet Pump, Three Phase, TEFC, C-Face 93
 Square Flange Pump, ODP..... 93
 Jet Pump, Three Phase, ODP, C-Face 94
NEW! Washdown, Jet Pump, Three Phase, TEFC, C-Face 95
 Square Flange Pump, ODP..... 95
 Close-Coupled Pump, Single Phase, TEFC and ODP 96
 Close-Coupled Pump, Three Phase, TEFC and ODP, C-Face,
 Foot Mounted, With Internal Aegis® Bearing Protection Ring 97
 Close-Coupled Pump, Three Phase, TEFC, C-Face..... 98
 Close-Coupled Pump, Three Phase, ODP, C-Face 100
 Washdown Close-Coupled Pump, Three Phase,
 Totally Enclosed..... 103
 SSE Super-E Stainless Steel, Close-Coupled Pump,
 Three Phase, Totally Enclosed, Encapsulated 103
 P-Base Vertical Solid Shaft Pump, Three Phase,
 TEFC, 1.15 Service Factor..... 104
 P-Base Vertical Solid Shaft Pump, Three Phase,
 ODP, 1.15 Service Factor..... 105
 SAE Hydraulic Pump Motors, Three Phase, Continuous Duty 106
 Submersible Motors, Single Phase, TENV..... 106
 Submersible Motors, Three Phase, TENV 107

General Information

Single Phase Motors

General Purpose Industrial Motors

Severe Duty Motors

Large AC Motors

Washdown Duty Motors

Explosion Proof Motors

Pump Motors

HVAC Motors

Farm Duty Motors



Table of Contents

General Information

Single Phase Motors

General Purpose Industrial Motors

Severe Duty Motors

Large AC Motors

Washdown Duty Motors

Explosion Proof Motors

Pump Motors

HVAC Motors

Farm Duty Motors

HVAC Motors

NEW! Three Phase, TEFC, Foot Mounted, with Internal Baldor Shaft Grounding Brush 108

NEW! Three Phase, TEFC, Foot Mounted, C-Face, with Internal Baldor Shaft Grounding Brush 109

NEW! Three Phase, ODP, Foot Mounted, with Internal Baldor Shaft Grounding Brush 110

Three Phase, TEFC, Foot Mounted, with Internal AEGIS® Bearing Protection Ring 111

Three Phase, ODP, Foot Mounted, with Internal AEGIS® Bearing Protection Ring 113

Super-E®, Three Phase, ODP, Foot Mounted 115

Super-E®, Three Phase, TEFC, Foot Mounted 117

Chiller/Cooling Tower, Three Phase, TEAO 118

Chiller/Cooling Tower, Three Phase, Two Speed, TEFC 119

NEW! Ventilation Fan, Three Phase, TEAO, C-Face, Footless 119

Three Phase, TEAO, Foot Mounted 120

Condenser Fan, Three Phase, ODP, “Belly Band” Round Body 121

Condenser Fan, Three Phase, TEAO, “Belly Band” Round Body 121

Fan and Blower, Single and Three Phase, ODP, Resilient Base 122

Three Phase, ODP 123

(PSC) Direct Drive Fan, Single Phase, Foot Mounted, TEAO 123

Direct Drive Fan, Single and Three Phase, TEAO 124

Yoke/Pedestal Fan, Single Phase, PSC, TEAO 124

Farm Duty Motors

NEW! Super-E®, Three Phase, TEFC 125

Single Phase, TEFC 126

Grain Dryer/Centrifugal Fan, Single and Three Phase, TEFC and ODP 127

Grain Dryer/Vane Axial Fan, Single and Three Phase, TEAO and OPAO 128

Universal Crop Dryer, Single Phase, PSC (switchless), TEAO and OPAO 129

Irrigation Tower Drive, Three Phase, TENV 129

Auger Drive, Single Phase, TEFC, Flange Mount, Capacitor Start ... 130

Grain Stirring, Single Phase, TEFC, Foot Mounted 130

Instant Reversing, Single Phase, TEFC, Foot Mounted 131

Aeration Fan, Single and Three Phase, TEAO, Foot Mounted 131

(PSC) - Direct Drive Fan, Single Phase, TEAO 132

Dairy/Vacuum Pump, Single Phase, TEFC, Foot Mounted 132

Metering Pump, Three Phase, TEFC, Foot Mounted 133

Incubator/Hatchery Vent Fan, Single Phase, TEAO 133

Definite Purpose Motors

Three Phase, Two Speed, TEFC, Foot Mounted 134

Three Phase, Two Speed, ODP, Foot Mounted 136

Pressure Washer, Single Phase, TEFC and ODP 137

Arbor Saw, Three Phase, TEFC, Foot Mounted 138

Woodworking, Single Phase, TEFC 139

Pre-1952 NEMA, Single and Three Phase, Foot Mounted 139

U-Frame, Three Phase, TEFC 140

U-Frame, Three Phase, ODP 141

U-Frame, Single Phase 142

Automotive Duty, Three Phase, TEFC, Foot Mounted 143

Single and Three Phase, TENV, Foot or C-Face Mounting, Removable Base 144

Synchronous Permanent Magnet, Three Phase, TEFC, Foot Mounted 144

Unit Handling Motors

Single and Three Phase, C-Face, TEFC 145

High Cycle Brake Motor, Three Phase 146

D-Series Brake Motor, Single Phase, TEFC 146

D-Series Brake Motor, Three Phase, Totally Enclosed 147

Short Series Brake Motor, Three Phase, TEFC 149

D-Series and SSB Fast Response Brake Kit 149

Brake Motors

Three Phase, Super-E Premium Efficient, TEFC 150

Single and Three Phase, TEFC, Foot Mounted 151

Single and Three Phase, TEFC, C-Face 152

Three Phase, ODP 153

Three Phase, Explosion Proof, C-Face 154

Washdown, Three Phase, Totally Enclosed, C-Face, Foot Mounted 154

Double C-Face Motor Brake Kits 155

200 & 575 Volt Motors

200 Volt, Three Phase, TEFC, Foot Mounted 156

200 Volt, Three Phase, ODP, Foot Mounted 157

200 Volt, F2, Three Phase, ODP, Foot Mounted 158

575 Volt, Three Phase, TEFC, Foot Mounted 159

575 Volt, Three Phase, TEFC, C-Face 161

Premium Efficient, Severe Duty, 575 Volt, Three Phase, TEFC 163

IEEE 841, 575 Volts, Three Phase, TEFC 164

575 Volt, Three Phase, C-Face, Washdown, Totally Enclosed 166

575 Volt, Stainless Steel, Three Phase, Totally Enclosed, C-Face 167

NEW! 575 Volt, SSE Super-E® Stainless Steel, Three Phase, Totally Enclosed, C-Face, Encapsulated 167

575 Volt, Three Phase, ODP, Foot Mounted 168

575 Volt, Three Phase, Close-Coupled Pump, TEFC and ODP, C-Face 169

575 Volt, Three Phase, Explosion Proof 170

575 Volt, Drill Rig Duty, Three Phase, 1.15 Service Factor 171

IEC Frame Motors

Metric IEC Frame Motors, Three Phase, IP55, 50/60 Hz, Foot Mounted 173

NEW! Metric IEC Frame Motors, Three Phase, 60 Hz, 460 Volts 176

NEW! Metric IEC Frame Motors, Three Phase, 60 Hz, 460 Volts 177

NEW! Metric IEC Flange Kit for Process Performance Aluminum and Cast Iron Motors (non-hazardous) 178

Metric IEC Frame Motors, Three Phase, IP55, 50/60 Hz, B5 Flange 179

Metric IEC ATEX/IECEX Flameproof Ex d IIC T4, IP55, 180

Three Phase, 50 Hz, Foot Mounted 180

Metric IEC ATEX/IECEX Flameproof Ex de IIC T4, IP55, Three Phase, 50 Hz, Foot Mounted 181

Metric IEC ATEX/IECEX Non-Sparking Ex nA II T3, IP55, Three Phase, 50 Hz, Foot Mounted 182

Metric IEC Frame Motors, Three Phase, 60 Hz, 230/460 Volts 183

Metric IEC Frame Motors, Three Phase, 60 Hz, 575 Volts 184

Metric IEC Frame Motors, 60 Hz. — Replacement Parts List 185

Metric IEC Frame Motors, Three Phase, 60 Hz. — Dimensions 186

Metric IEC, Three Phase, 60 Hz, TEFC, IP54, Foot Mounted 187

Metric IEC, Three Phase, 60 Hz, TEFC, IP54, B5 Flange 188

Metric IEC, Three Phase, 60 Hz, TEFC, IP54, B14 Flange 188

Table of Contents

50 Hertz Motors

Single Phase, NEMA Frame, TEFC and ODP, Foot Mounted..... 189
 Three Phase, NEMA Frame, TEFC and ODP, Foot Mounted 190
 Single and Three Phase, NEMA Frame, TEFC, C-Face, Footless 191
 Single and Three Phase, NEMA Frame, Explosion Proof,
 C-Face, Foot Mounted 192

Inverter/Vector Motors & Controls

AC Motor Variable Speed Range Capabilities..... 193
 RPM AC, Salient Pole PM Rotor, Three Phase, TEBC 194
 RPM AC, Inverter Duty, Three Phase 195
 RPM AC, Vector Duty, Three Phase, Totally Enclosed 197
 Encoder Feedback Kits 198
 Encoder Mounting Kits 199
 RPM AC Slide Bases 199
 RPM AC Filter Kits 199
 RPM AC Mounting Conversion Kits for FL180-FL280 Frames..... 200
 Replacement Blower Kits for DPG-FV RPM AC Motors 200
 V*S Master Inverter Drive, Three Phase, Totally Enclosed..... 201
 V*S Master Vector Drive, Three Phase, Totally Enclosed 202
 V*S Master Severe Duty Vector Drive, Three Phase,
 Totally Enclosed..... 203
 V*S Master Encoder Feedback Kits 360-440 Frame Size..... 203
 Inverter, Three Phase, TEBC and TENV, C-Face, Foot Mounted..... 204
 Vector, Three Phase, TEBC and TENV, C-Face..... 205
 Inverter Gear Motor - Right Angle and Parallel Shaft -TEFC 206
 Feedback Cable Assembly with MS Connector 208
 Encoder Feedback Kits for IDM, IDNM and IDWNM Motors 208
 Constant Velocity Blower Cooling Conversion Kits..... 209
 Connector Transition (Patch) Cables 209
NEW! AC Drives Selection Chart 210
NEW! ACS55 AC Micro Drive 212
NEW! ACS150 AC Micro Drive..... 215
NEW! ACS250 IP20 AC Micro Drive..... 218
NEW! ACS250 IP66 AC Micro Drive..... 221
NEW! ACS310 AC Micro Drive..... 224
NEW! ACS355 AC Micro Drive..... 228
NEW! ACS355 IP66 UL Type 4X AC Micro Drive 233
 Series 5 Micro Inverters 238

DC Motors and Controls

Subfractional and Fractional Permanent Magnet DC Motor 240
 SCR Drive Permanent Magnet Motor..... 240
 Integral DC Tach Permanent Magnet SCR Drive Motor 241
 Explosion Proof Permanent Magnet SCR Drive Motor..... 241
 Washdown Duty Permanent Magnet SCR Drive Motor 242
 Paint Free Washdown Duty Permanent Magnet
 SCR Drive Motor 242
 Metric Flange Permanent Magnet SCR Drive Motor..... 243
 Low Voltage Permanent Magnet Motor..... 244
 DC Power Motor 244
 Shunt Wound SCR Drive Motors 245
 Shunt Wound SCR Drive Motors, Explosion Proof 245
 RPM III DC Shunt Wound SCR Drive Motors, 180V Armature 246
 RPM III DC Shunt Wound SCR Drive Motors, 240V Armature 246
 RPM III DC Shunt Wound SCR Drive TEFC Motors,
 240V & 500V Armature..... 247
 RPM III Wound Field SCR Drive DPG-FV Motors,
 240V & 500V Armature..... 248
 RPM III Wound Field SCR Drive DPG Motors,
 240V & 500V Armature..... 249
 RPM III DC Motor Accessories and Kits 250

DC Motors and Controls (con't)

SCR Drive Motor, Shunt and Stabilized Shunt Wound DPGF 252
 SCR Drive Motor, Shunt and Stabilized Shunt Wound DPBV 253
 SCR Drive Motor, 240V Armature 253
 Shunt Wound SCR Drive TEFC Motors..... 254
 Lifting Magnet Generators 254
 Tach Mounting Kits/Cooling Blowers for DC Integral Hp Motors..... 255
 Tach Generators DC, AC and Digital Output 256
 Field Conversion Tach Mounting Kits for
 Permanent Magnet and Shunt Wound Motor..... 257
 NEMA 1 Enclosed DC Controls for
 PMDC and Shunt Wound Motors 258
 DC Control Accessories..... 258
 Chassis Mount DC Controls 259
 Resistor and Fuse Kit..... 259
 NEMA 4X DC Control and Accessories..... 260
 Line Regenerative DC Controls and Accessories 261
 NEMA Enclosed DC Control Specifications..... 262
 Chassis Mount DC Control Specifications..... 263
NEW! DCS800-EP DC Panel Drive..... 264
NEW! DCS800-EP Modifications..... 267
NEW! DCS800-EP Option Kits..... 268
NEW! DCS800-EP Dimensions 272

Soft Starters and Dynamic Brakes

Soft Starters 273
 Soft Starters, Dimensions and Accessories..... 276

Gearmotors & Gear Products

Right Angle AC Gearmotors..... 277
 FTA Style 277
 GNA Style 278
 D Style 279
 E Style..... 280
 B Style..... 282
 G Style 284
 K Style 286
NEW! HK Style..... 289
 C Style 290
 J Style 292
 H Style and H Gearbox Accessories..... 296

Parallel Shaft AC Gearmotors..... 297
 PSSH Style..... 297
 PSM Style and PSM Mounting Adapters 300
 PSL Style 303
 "L" Type Mounting Brackets 304
NEW! H50 – Right Angle – Hollow Shaft –
 Worm Gear Reducer 309
 H Gearbox Accessories..... 309

Speed Reducers..... 310
 900 Series – Right Angle – Quill Type Solid Shaft 310
 900 Series – Right Angle – Quill Type Hollow Shaft 315
 Stainless Steel – Right Angle – Quill Type Solid Shaft 316
 Stainless Steel – Right Angle – Quill Type Hollow Shaft 317
 Washdown – Right Angle – Quill Type Solid Shaft 318
 900 Series – Right Angle – Coupling Type – Solid Shaft 319
 900 Series – Right Angle – Solid Shaft..... 321
 Universal Series – Right Angle – Quill Type – Solid Shaft 322
 Inline Helical 324
 Ratio Multiplier – Inline – Quill Type Solid Shaft..... 325

General Information

Single Phase Motors

General Purpose Industrial Motors

Severe Duty Motors

Large AC Motors

Washdown Duty Motors

Explosion Proof Motors

Pump Motors

HVAC Motors

Farm Duty Motors

Table of Contents

Gearmotors & Gear Products (con't)

Speed Reducers (con't)	
900 Series – Right Angle Base Kits.....	326
Universal Series – Right Angle Base Kits.....	326
Flange, Riser Block and Torque Arm Kits.....	327
Flange, Bushing and Double Reduction Adapter Kits.....	328

Motor Accessories

NEMA AC Motor C-Face Kits for Field Conversion.....	329
C-Face Kits.....	331
NEMA DC Motor C-Face Kits for Field Conversion.....	331
Conduit Box Kits.....	332
D-Flange Kits.....	333
Drain Fitting Kit.....	333
Drip Covers for Field Conversion.....	333
Cast Iron Fan Cover and Conduit Boxes For Field Conversion.....	334
Gear Motor Accessories.....	335
Adjustable Motor Bases.....	336
Adjustable Motor Bases Dimension Diagrams.....	337
Conversion Bases Dimension Diagrams.....	338

PT Components

Bushings.....	339
QD Bushing.....	339
NEW! BK ² Bushing.....	344
Taper-Lock Bushings.....	348
Sheaves.....	349
Light Duty Sheaves Fixed Bore: MA, 2MA.....	349
Light Duty Sheaves Fixed Bore: MB, 2MB.....	351
Light Duty Sheaves Bush Type: MAL, 2MAL.....	353
Light Duty Sheaves Bush Type: MBL, 2MBL.....	355
Fractional Horsepower Series (f.h.p.): MFAL.....	357
Adjustable Pitch Light Duty (HVAC) MVL.....	357
8000 Series.....	358
VP Series.....	359
MVS.....	360
NEW! VERSA-V Sheaves (Split Taper).....	361
NEW! TB Sheaves (Split Taper).....	364
Classical A/B Combination, C & D.....	367
Narrow 3V, 5V & 8V.....	383
Timing Pulley.....	397
HTD Sprocket.....	405
Couplings.....	414
MASKA STARFLEX: Elastomeric Jaw Type Couplings.....	414
4-FLEX: Elastomeric Sleeve Type Couplings.....	415
4-FLEX: Type "SC" SPACER Couplings.....	417
4-FLEX: Element Types.....	419
MASKAFLEX : Elastomeric Tire Type.....	420

Grinders

Industrial Grinders.....	422
Industrial Tool Grinders.....	425
Industrial Abrasive Belt Sanders.....	426
Industrial Buffers.....	426
Big Red Grinders and Accessories.....	427
Grinder Accessories.....	428
Grinder Wheels.....	429
Single Phase Electronic Motor Brake.....	429
Polishing Lathes and Chucks.....	430
Dust Collector Bags.....	430

Baldor Mod Express

Motor Mod Express.....	431
------------------------	-----

ABB Mod Express

ABB Motor Mod Express.....	471
----------------------------	-----

ABB ATEX Mod Express

ABB ATEX Motor Mod Express.....	478
---------------------------------	-----

Catalog Index

Catalog Index.....	485
--------------------	-----

Pricing and Data subject to change without notice.

General Information

Single Phase Motors

General Purpose Industrial Motors

Severe Duty Motors

Large AC Motors

Washdown Duty Motors

Explosion Proof Motors

Pump Motors

HVAC Motors

Farm Duty Motors

Baldor Electric Company provides easy access to current data on our website www.baldor.com. Customers will find key information on the following topics:

- Baldor District Offices
- Authorized Distributors
- Sales Terms & Conditions
- Freight Policy
- Baldor Warranty
- Authorized Service Centers
- Product Literature
- Energy Efficiency
- Performance Data
- Connection Diagrams
- Dimension Sheets
- Installation Manuals
- Renewal Parts
- Customer Product Education

SUPER-E® GREEN COLOR DEFINITION

Green Catalog numbers represent motors that have Baldor•Reliance Super-E Premium Efficient electrical designs. These motors meet or exceed NEMA Premium® efficiencies where defined by NEMA in table 12-12, 12-13 and 20-C.

501 CATALOG NOTES:

Efficiencies – Efficiencies of all 60 Hz motor designs are listed as NEMA nominal at full load (Except the motors designed to meet the Small Motor Rule average efficiencies as specified by the DOE).

Full Load Amps (FLA) – For low voltage amps, double high voltage amps shown, excluding medium voltage amps for 2300/4000 voltage.

Motor Bearings – Motors with ball bearings are suitable for coupled loads. If a load is belted, a roller bearing may be required, contact your local Baldor Sales Office if you have questions or need assistance.

Service Factor – NEMA T-frames in TEFC construction have a service factor of 1.15 or greater except where noted. All NEMA U- frame TEFC motors (except explosion-proof) have NEMA open service factors. Fractional horsepower TEFC motors have NEMA open service factors. All Inverter Duty® and Vector Duty® AC motors have 1.0 Service Factors. All DC motors have 1.0 service factors.

Mounting Holes – Most steel band and cast iron foot-mounted motors have dual mounting holes (143T-145T, 182T-184T, etc.)

F1/F2 – All Cast iron motors are built with symmetrical frames which may be converted from F1 to F2 by switching endplates and rotor from end-to-end except for L182T, L184T, L213T, L215T and L449T. TEFC 5000 and 5800 frame motors are field convertible from F1 to F2 via swingarm. Frames with the “L” prefix have standard NEMA base and BA dimensions. Also applies to TC versions of these frame sizes.

SCR Drive Motors – Field Amps listed are for High Voltage Connections with motor at operating temperature.

Modified Motors – Using stock motors, Baldor can modify motors to fit a variety of applications in only 2 to 5 working days for most modifications. Please see the Mod Express section in this catalog for more information.

Custom Motors – For information on motor designs and capabilities not found in this catalog, please contact your local Baldor sales office.

IP PROTECTION – BALDOR ENCLOSURE ⁽¹⁾

Open Motor Enclosures:

IP22 or 23 - Open Drip Proof AC or DC Motors

Totally Enclosed Motor Enclosures* :

IP44 - LV General Purpose AC or DC Motors **

IP54 - MV General Purpose AC Motors

IP55 - ABB IEC Motors

Severe Duty AC Motors (ECP)

Crusher, Quarry & Dirty Duty Motors

White Washdown & Paint-Free Motors

IP56 - LV Motors Meeting IEEE 841

Dirty Duty Autophoretic Motors

Super White Washdown Motors

Stainless Steel Motors (non-encapsulated)

IP69K for Water - SSE Stainless Steel Encapsulated Motors

Notes:

(1) Codes are not included on stock motor nameplate as standard.

* Totally Enclosed Motors will meet IP protection level indicated when drain plugs and or T-drains are properly installed.

** IP54 when Drain Fitting Kit #HA5027A03 is installed in the weep holes (48 thru 256T frame motors only)

SUMMARY OF IP PROTECTION NUMBERS

	First # Protection Against Solid Objects	Second # Protection Against Liquids
IP TESTS		0 NO PROTECTION
0 NO PROTECTION		1 Protection against vertical drops of water. (E.G. Condensation.)
1 Protection against solid objects up to 50 mm. (E.G. Accidental touch by hands.)		2 Protection against falling water up to 15 degrees from the vertical.
2 Protection against solid objects up to 12 mm. (E.G. Fingers)		3 Protection against falling water up to 60 degrees from the vertical.
3 Protection against solid objects over 2.5 mm. (E.G. Tools,Wires)		4 Protection against splashing water from all directions, limited ingress.
4 Protection against solid objects over 1 mm. (E.G. Tools, Wires, and Small Wires)		5 Protection against low pressure jets of water from all directions, limited ingress.
5 Protection against dust - limited ingress (No harmful deposits)		6 Protection against strong jets of water. (E.G. Use on ship decks, limited ingress.)
6 Totally protected against all dust.		7 Protection against immersion.
		8 Protection against submersion.
		9K Protection against high pressure, high temperature spray of water from all directions

Contact your local Baldor Sales Office for clarification, assistance or additional information on any Baldor•Reliance product. A listing of the offices is inside the front cover.

General Information

Single Phase Motors

General Purpose Industrial Motors

Severe Duty Motors

Large AC Motors

Washdown Duty Motors

Explosion Proof Motors

Pump Motors



HVAC Motors

Farm Duty Motors

Approvals UL and CSA

Approvals for AC Motors, Explosion Proof, and DC Motors:

File #:	Description:	Description:
E10822	UL Listed Explosion Proof AC Motors	182T - 449T Frames
		5008, 5010, 9540 Frames
	UL Listed Explosion Proof DC Motors	140TY - 440TY Frames - Submersible Water-Sewer Pump motors
		182T - 286T Frames - Shaker Duty motors
E27506	UL Recognition for Thermally Protected motors	42 - 250 Frames - Subfractional thru 20HP motors
E37609	Special Explosion Proof conduit boxes	
E46145	UL Recognition for DC frames	42 - 184 Frames - Subfractional Motors and Gearmotors
	UL Recognition for NEMA frames	42 - 449 Frames
E54825	UL Recognition for AC frames	180 - 5800 Frames
	UL Recognition for DC frames	L180 - DL2814 Frames
E6881	UL Listed Explosion Proof DC Motors	48 - 4013AT Frames
E6951	UL Listed Explosion Proof AC/DC Motors	56 Frame
EEV79350	CSAc-us EEV Certification (Energy Efficiency Verification)	48 - 449 Frames - Subfractional thru 300HP motors
LR19467	CSA Certified Explosion Proof (Division 1)	1 - 200HP Motors
	CSA c-us Certified Explosion Protected (Division 2)	140TY - 440TY Frames
LR22553	CSA Certification for Explosion Proof motors	180 - 449T Frames
	CSA c-us Certified Explosion Protected (Division 2)	180 - 449T Frames
LR2262	CSA Certification for DC frames	48 - 215 Frames
	CSA Certification for NEMA frames	56 - 364T Frames
LR36841-7	CSA c-us Certification for AC frames	42 - 184 Frames
	CSA c-us Certification for DC frames	42 - 449 Frames
LR40567	CSA c-us Certification for AC frames	5000 - 5800 Frames - up to 4160Volts and a maximum of 900HP(2Pole), 800HP(4Pole) and 700HP(6Pole)
	CSA c-us Certification for DC frames	L180 - DL2814 Frames - 32-1000HP
	CSA c-us Certification for MG Sets	48 - 4013AT Frames - 5-500HP
	CSA c-us Certification for NEMA frames	7MG - 80MG Frames - 15-150HP
LR46877	CSA c-us Certified Explosion Proof (Division 1)	140TY - 360TY Frames - Submersible and Immersible motors
	CSA c-us Certified Explosion Protected (Division 2)	L180 - L440 frames - TEPV Type X Purge Motors
LR48703	CSA Certification for Explosion Proof motors	L180 - DL2814 Frames
LR52580	CSA Certification for AC frames	
	CSA c-us Certification for Finned AC frames	447T - 7111 Frames - 500-1500HP
	CSA c-us Certification for DC frames	447T - 7111 Frames - 500-1500HP
LR53258	CSA c-us Certified Explosion Protected (Division 2)	C4412 - B1610 Frames - 100-3000HP
LR60344	CSA c-us Certified Explosion Protected (Division 2)	
LR63415	CSA Certification for Explosion Proof motors	
LR6451	CSA c-us Certification for AC frames	5800 - 1000 Frames - 1000-15000HP
LR6771	CSA Certified AC Division 1	
LR78389	CSA EEV Certification (Energy Efficiency Verification)	
LR7861	CSA c-us Certification for NEMA frames	1-200HP
LR40567	CSA c-us Certification for NEMA frames	180 - 449 Frames - 600HP max.
		180 - 449 Frames - 600HP max.

-  Motor Designs built at Athens, Gainesville, Kings Mountain and Stratford Plants.
-  Motor Designs built at Clarksville, Westville, Fort Smith, Ozark, and Columbus Plants.

Department of Energy (DOE) Compliance Certification: CC 010A

Motors for use in Canada meet NRC Canadian Standards for Efficiency.

DC Tachometers — XPY tachometers are UL recognized, file number E109527 and CSA listed file number LR36841-5.

DC SCR Controls and Accessories — Controls with catalog numbers BC138, BC139, BC140, BC140-FBR, BC141, BC142, BC155, BC154, BCWD140, BC160, BC200, BC201, BC202, BC203 and BC204 and accessories BC24-LF, BC145, BC146, BC147, BC151, BC211 and BC212 are UL listed for US and Canada, UL file number E114039. BC153 is UL component recognized for US and Canada. BC254, BC354, BC214, BC215, BC216, BC217, BC218, BC245, BC253, BC258, BC259 are pending – contact Baldor for status. Larger SCR controls Series 19H and 20H are UL and cUL Listed, UL file number E128059. SCR controls Series 29D and 30D are UL and cUL listed, UL file E128059. Reliance DC are Drives UL/cUL Listed, file number E59092.

AC Inverter and Vector Controls — Baldor and Baldor V*S Drives are UL/cUL Listed, file number E128059. Reliance Drives are UL/cUL Listed, file number E59092.

AC Soft Starters — All units are CUL listed, file number E114039 except catalog item S25CA.

UL AND CSA EXPLOSION-PROOF CLASSIFICATIONS

CAUTION!

Motors misapplied in hazardous environments can cause a fire or explosion resulting in destruction of property, serious injury or death. Only the end user or a qualified underwriter is to identify and select the proper class, group, division, and temperature code motor to meet the requirements of each installation. Baldor personnel can advise what listings and approvals Baldor motors carry, but cannot evaluate nor recommend what motors may be suitable for use in hazardous environments.

1. Hazardous Locations — For details on area classification and equipment suitability please consult NFPA70™ National Electric Code® Articles 500-516.
 - Class I Group C — locations are those which contain flammable gas, vapor, combustible liquid produced vapor mixed with air that may burn or explode, either having a maximum experimental safe gap (MESG) value greater than 0.45 mm and less than or equal to 0.75mm or a minimum igniting current ratio (MIC ratio) greater than 0.40 and less than or equal to 0.80. Ethylene is a typical Group C gas. For other substances in this group, please consult NFPA 497.
 - Class I Group D — locations are those which contain flammable gas, vapor, combustible liquid produced vapor mixed with air that may burn or explode, either having a (MESG) value greater than 0.75 mm or a (MIC ratio) greater than 0.80. Propane is a typical Group D gas. For other substances in this group, please consult NFPA 497.
 - Class II Group E — locations with atmospheres containing combustible metal dusts such as aluminum, magnesium and their alloys or other combustible dusts with particle sizes and conductivity that present similar hazards. For other substances and guidance relative to this group, please consult NFPA 499.
 - Class II Group F — locations with atmospheres containing combustible carbonaceous dusts with more than 8% entrapped volatiles. Coal, carbon black, charcoal and coke dust are examples from this group. For other substances and guidance relative to this group, please consult NFPA 499.
 - Class II Group G — locations with atmospheres containing combustible dusts not included in Group E or F, including flour, grain, wood, plastic and chemicals. For other substances and guidance relative to this group, please consult NFPA 499.
2. Class II Temperature Codes are typically the lower of either the ignition temperature of the combustible dust that is present or 165°C. Low surface temperature requirements (higher temperature codes) in Class II F&G require that over temperature protection be used.
 - Class II Explosion-Proof Motors rated 1 1/2 HP or less have internally mounted automatic thermal overloads when indicated by suffix “A”. Caution must be observed when applying these to machinery applications to prevent accidental injury should the thermal device automatically reset and restart the motor.
 - Class II Explosion-Proof Motors rated 1 HP and larger without automatic thermal overloads have thermostats in the windings. These thermostats are pilot circuit devices to be connected to the magnetic starter circuit.
3. Motors for use in Class I only locations may be provided without T-stats. In these cases, the T-Code is determined by the maximum external surface temperature of the motor enclosure at the point when the winding burns out. These motors have T-Codes T2A or T2B depending on design, and require special sacrificial insulation. Consult Baldor for the acceptability of a requested T-code for specific designs. When motors for use in Division 1 areas (Class I and/or Class II) are provided with T-stats (Over temperature devices) the over-temperature protection must be utilized. If accepted by the AHJ (Authority Having Jurisdiction) other means of limiting the temperature may be utilized in the application. Such alternate protection means are the responsibility of the end user, and Baldor does not accept any responsibility for them.
4. Surface temperatures of Baldor Explosion-Proof Motors will not exceed the following UL and CSA maximums under fault conditions. The “T” Code identifies the maximum absolute motor surface temperature that will be developed under all conditions of operation.
 - Division 1 considers external surface temperature and includes overloads and locked rotor conditions.
 - Division 2 considers internal and external surface temperatures during normal operation.

Maximum Surface Temperature	US (NEC 500) CA (CEC Annex J)	US (NEC 505) CA (CEC Section 18)
450° C	T1	T1
300° C	T2	T2
280° C	T2A	-
260° C	T2B	-
230° C	T2C	-
215° C	T2D	-
200° C	T3	T3

Maximum Surface Temperature	US (NEC 500) CA (CEC Annex J)	US (NEC 505) CA (CEC Section 18)
180° C	T3A	-
165° C	T3B	-
160° C	T3C	-
135° C	T4	T4
120° C	T4A	-
100° C	T5	T5
85° C	T6	T6

5. Stock Motors are not suitable for applications in temperatures below -25°C (-13°F). Custom motor designs available for applications in temperatures down to -60C. Contact your Baldor Sales office for further information.
6. All Explosion-Proof motors are supplied with Explosion-Proof UL and CSA approved conduit boxes as standard.
7. Baldor-Reliance AC Explosion Proof Motors, on pages 75-87, are not approved for use on adjustable speed drives. Only Inverter Duty Explosion Proof motors (pages 88-90) can be used. Custom Explosion proof ratings available, contact your Baldor-Reliance Sales Representative.

Explosion Proof motors in this catalog use the following symbols to designate their Division 1, Class and Group certification capabilities. These assignments are for use with this version of the 501 catalog only.

XP Class & Group Symbol	Description
①	Class I, Group D
②	Class I, Group D, Class II, Group F & G
③	Class I, Group D, Class II, Group E, F & G
④	Class I, Group C & D
⑤	Class I, Group C & D, Class II, Group F & G

Abbreviations: The Basic Baldor catalog number consists of a letter(s) prefix and several non-significant preceding numbers. A suffix letter(s) and/or number(s) may also be part of the catalog number. For example L3510 or L3510T. Following is a list of prefix and suffix definitions.

Motors Prefix

General Information	Single Phase Motors	AEM	Automotive Motor, Three Phase	IM	Irrigation Drive Motor
		AFL	Aeration Fan Motor, Single Phase	IR	Instant Reversing Single Phase Farm Motor
		AFM	Aeration Fan Motor, Three Phase	J	56J Stainless Steel Threaded Shaft with Dripcover/ Jet Pump
General Purpose Industrial Motors	Severe Duty Motors	ANFL	Auger Fan Motor, Single Phase	JM	JM Pump Shaft and Face
		AOM	Air Over Motor, Three Phase	JMSSEWDM	All Stainless Encapsulated Super-E Washdown JM Pump Shaft & Face
		AP	Subfractional HP, PM Motor	JMWDM	Washdown Duty Motor with JM Pump Shaft & Face with Base, Three Phase
Large AC Motors	Washdown Duty Motors	ASM	Arbor Saw Motor, Three Phase	JP	JP Pump Shaft & Face with Base/ Close Coupled Pump
		B	Brake Motor	JPM	JP Pump Shaft and Face with Base, Three Phase / Close Coupled Pump
		BN	Brake Motor, TENV enclosure	JS	Square Flange Pump Mount Motors with Threaded Shaft
Explosion Proof Motors	Pump Motors	BTG	Tachometer Generator	JWDM	Washdown Jet Pump, Three Phase, Footless
		C	NEMA C-Face with Base	K	Model 34 Diameter Motor with 56 C-Face, Less Base
		CD	Wound Field DC Motor NEMA C-Face with Base	L	Single Phase Motor
Explosion Proof Motors	HVAC Motors	CDMG	Lifting Magnet Generator, C-Face	M	Three Phase Motor
		CDP	PM SCR Drive Motor	MM	Metric Dimension Motor with Base
		CDPSWD	Paint Free Washdown PM SCR Drive Motor C-Face with Base	MP	Metering Pump Motor, Three Phase
Explosion Proof Motors	Farm Duty Motors	CDPT	PM SCR Drive Motor with Integral Tachometer	MVM	Metric Dimension Motor, Flange Mount less Base, Three Phase
		CDPWD	Washdown PM SCR Drive Motor NEMA C-Face with Base	N	Totally Enclosed Non-Ventilated Motor
		CDPX	Explosion Proof PM SCR Drive Motor C-Face with Base	OF	Oil Field Motor, Design D, High Slip
Explosion Proof Motors	Farm Duty Motors	CDX	Explosion Proof Wound Field DC Motor, NEMA C-Face	PCL	Pressure Washer Motor, C-Face with base, Single Phase
		CEL	Super-E Premium Efficient Motor, Single Phase, C-Face	PFTG	Tachometer Generator Foot Mount
		CEM	Super-E Premium Efficient Motor, Three Phase, C-Face	PL	Pressure Washer Motor, Single Phase
Explosion Proof Motors	Farm Duty Motors	CFC	Condenser Fan Motor, Permanent Split Capacitor	PSC	Permanent Split Capacitor Motor
		CFM	Condenser Fan Motor, Three Phase	PTG	Tachometer Generator
		CHC	Direct Drive Fan Motor, Permanent Split Capacitor	R	Repulsion-Start Induction-Run Motor
Explosion Proof Motors	Farm Duty Motors	CHL	Direct Drive Fan Motor, Single Phase	RBM	High Cycle Brake Motor, Three Phase
		CHM	Direct Drive Fan Motor, Three Phase	RHM	Definite Purpose HVAC Motors, Three Phase
		CJWDM	Washdown Jet Pump, Three Phase, Foot Mounted	RL	Resilient Base Motor (Cradle Mount), Single Phase
Explosion Proof Motors	Farm Duty Motors	CP	Severe Duty Motor	RM	Resilient Base Motor (Cradle Mount), Three Phase
		CR	Crusher Duty Motor	SPM	Synchronous Permanent Magnet Motor
		CSC	Checkout Stand Motor	SSEWDM	All Stainless Encapsulated Super-E Washdown Motor, Three Phase
Explosion Proof Motors	Farm Duty Motors	CTM	Cooling Tower Motor, Three Phase	SSEWDFM	All Stainless Encapsulated Super-E Washdown Motor, Three Phase, F-2 Mounted Connection Box
		CWAM	Dirty Duty - Autophoretic Coating, Three Phase, C-Face	SSFWDM	All Stainless Encapsulated Super-E Washdown Motor, Three Phase
		D	Wound Field DC Motor	SSWDM	All Stainless Washdown, Three Phase
Explosion Proof Motors	Farm Duty Motors	DDC	Direct Drive, Indoor Blower Motor, Permanent Split Capacitor	SWDM	Paint Free Washdown Duty Motor, Three Phase
		DEL	Dairy/Vacuum Pump Motor, Single Phase	UCC	Universal Crop Dryer Motor, Permanent Split Capacitor, Open Air Over
		E	Super-E Premium Efficient Motor	UCCE	Universal Crop Dryer Motor, Permanent Split Capacitor, TEAO
Explosion Proof Motors	Farm Duty Motors	ECP	Super-E Severe Duty Motor	UCL	Grain Dryer/Vane Axial Fan, Single Phase, Open Air Over
		ECP6	IEEE 661 Motor	UCLE	Grain Dryer/Vane Axial Fan, Single Phase, TEAO
		ECP8	IEEE 841 Motor	UCM	Grain Dryer/Vane Axial Fan, Three Phase, Open Air Over
Explosion Proof Motors	Farm Duty Motors	ENCP	Super-E Severe Duty Motor, TENV	UCME	Grain Dryer/Vane Axial Fan, Three Phase, TEAO
		ENCP8	IEEE 841 Motor, TENV	UH	Unit Handling Motor
		FDL	Farm Duty Motor, Single Phase	UHM	Unit Handling Motor, Three Phase
Explosion Proof Motors	Farm Duty Motors	FDEM	Farm Duty Motor, Three Phase, Premium Efficient, Standard NEMA Frame	V	NEMA C-Face Less Base
		FLT	Filter Kit	V2L	Two Compartment Jet Pump Motor C-Face less Base, Single Phase
		FM	F-2 Mounted Motor	VEM	Super-E Premium Efficient Motor, Three Phase, C-Face, Less Base
Explosion Proof Motors	Farm Duty Motors	FVB	Blower Kit	VHECP	Super-E Vertical Pump Motor, Severe Duty - Normal Thrust
		FWDM	Washdown Duty Motor, TEFC, Three Phase	VHM	Vertical Pump Motor - Normal Thrust, Three Phase
		GD	Grain Dryer Centrifugal Fan Motor	VLCP	Vertical Pump Motor, Severe Duty - Medium Thrust
Explosion Proof Motors	Farm Duty Motors	GSL	Grain Stirring Motor, Single Phase	VP	PM SCR Drive Motor with Metric Flange or C-Face
		HFM	HVAC Duty, F-2 Mounted Connection Box, Three Phase	VPCP	Vertical Pump Motor, Severe Duty - High Thrust
		HIC	Incubator/Hatchery Vent Fan Motor, Permanent Split Capacitor	WAM	Dirty Duty - Autophoretic Coating, Three Phase
Explosion Proof Motors	Farm Duty Motors	HM	HVAC Duty Motor, Three Phase	WC	West Coast Fit TCZ
		HPM	Hydraulic Pump Motor, Three Phase	WD	Washdown Duty Motor
		IDBRPM	RPMAC Inverter Drive Motor - Laminated Frame, TEBC	WDBM	Washdown Brake Motor, Three Phase
Explosion Proof Motors	Farm Duty Motors	IDCSWDM	Inverter Drive Motor, Paint Free Washdown, C-Face with Base	WWDM	Super White Washdown Motor
		IDDRPM	RPMAC Inverter Drive Motor - Laminated Frame, DPG-FV	WWL	Wood Working Motor, Single Phase
		IDFRPM	RPMAC Inverter Drive Motor - Laminated Frame, TEFC	YPC	Yoke Pedestal Fan Motor, Permanent Split Capacitor
Explosion Proof Motors	Farm Duty Motors	IDM	Inverter Drive Motor, TEBC	ZDBRPM	RPMAC Vector Drive Motor - Laminated Frame, TEBC
		IDNM	Inverter Drive Motor, TENV	ZDFRPM	RPMAC Vector Drive Motor - Laminated Frame, TEFC
		IDNRPM	RPMAC Inverter Drive Motor - Laminated Frame, TENV	ZDM	Vector Drive Motor, TEBC
Explosion Proof Motors	Farm Duty Motors	IDVSM	VS Master Inverter Drive Motor	ZDNM	Vector Drive Motor, TENV
		IDVSNM	VS Master Inverter Drive Motor, TENV	ZDNRPM	RPMAC Vector Drive Motor - Laminated Frame, TENV
		IDVSWDM	Inverter Drive Motor, Paint Free Washdown, C-Face Less Base	ZDPM	RPMAC Permanent Magnet Rotor - Laminated Frame
Explosion Proof Motors	Farm Duty Motors	IDWNM	Washdown Inverter Drive Motor, TENV	ZDVSCP	VS Master Severe Duty Vector Drive Motor
		IDXM	Explosion Proof Inverter Drive Motor, TEFC	ZDVSM	VS Master Vector Drive Motor
		IDXCM	Explosion Proof Inverter Drive Motor, TEFC, C-Face With Base		

ZDVSNCP	VS Master Severe Duty Vector Drive Motor, TENV
ZDVSNM	VS Master Vector Drive Motor, TENV
ZDWNM	Washdown Vector Drive Motor, TENV
ZDVSNM	VS Master Vector Drive Motor, TENV
ZDWNM	Washdown Vector Drive Motor, TENV

Controls Prefix

D	Soft Start Control for DC Shunt, Compound, or Definite Purpose Motor
DMG	Lifting Magnet Generator
M	Multipurpose Soft Start Control
RG	Regeneration Resistor Assembly
S	Single Phase Soft Start
T	Torque Control

Gearing Prefix

BK	Single Phase Gearmotor Kit
G	Subfractional HP Gear Motor
DR	Double Reduction Adapter Kit
GC	Subfractional HP Gear Motor Permanent Split Capacitor and Split Phase
GCP	Parallel Shaft Subfractional HP Gear Motor Permanent Split Capacitor and Split Phase
GF	900 Series Reducers
GHF	900 Series Hollow Shaft Reducers
GHH	H50 Hollow Shaft Reducers
GHL	Hollow Shaft Subfractional HP Gear Motor Capacitor Start Induction Run and Capacitor Start Capacitor Run
GHM	Hollow Shaft Subfractional HP Gear Motor Three Phase
GIF	Inline Helical Reducers
GLF	900 Series Flanged Coupling Reducers
GLP	Subfractional HP Gear Motor Capacitor Start Induction Run and Capacitor Start Capacitor Run
GM	Subfractional HP Gear Motor Three Phase
GMP	Parallel Shaft Subfractional HP Gear Motor Three Phase
GP	PM Subfractional HP Gear Motor
GPP	PM Parallel Shaft Subfractional HP Gear Motor
GS	900 Series Solid Shaft Reducers
GSF	Universal Series Right Angle Gear Reducers
IDGM	Inverter Drive Subfractional HP Gear Motor
IDGMP	Inverter Drive Parallel Shaft Subfractional HP Gear Motor
SSGF	Stainless Steel 900 Series Flanged Quill Reducers
SSGHF	Stainless Steel 900 Series Hollow Shaft Reducers
WDGF	Washdown 900 Series Flanged Quill Reducers
TA	Torque Arm

Kits & Accessories Prefix

BLW	Blower Kit
BU	Bushing Kit
CBL	Cable Assembly
CC	Corrective Capacitor Bank
EN	Encoder Kit
FCD	Drip Cover Kit
FFC	Fan Cover/Conduit Box Kit
FL	Flange Kit
RBT	Roller Bearing Conversion Kit
RES	Resolver Feedback Kit
TK	Tachometer Mounting Kit

Motors Suffix

/35	Full 140 Frame Band Diameter
/36	Full 180 Frame Band Diameter
-2	120/240V Field
-4	460 Volt Winding
-5	575 Volt Winding
-8	200 Volt Winding
-9	NEMA Design C High Torque Winding
-12	12 Leads
-50	Wound for 50 Hertz Service
-57	230/380-415 Volt Winding
-58	380-415 Volt Y-Start/Delta-Run
-277	277 Volt Winding

-2340	2300/4000 Volt Winding
-AP	Aluminum Process Performance
-PP	Cast Iron Process Performance
-BG	Baldor Shaft Ground Motor
-BV	Blower Vented
-C	Listing includes Class I, Group C
-CI	Cast Iron Frame
-D	Dodge D-Series Brake
-EX1	Ex nA
-EX2	Ex d
-EX3	Ex de
-G	Aegis Shaft Ground Motor
-I	Explosion-Proof, 1.15 Service Factor
-NL	Non Linear - For VFD use
-P	Partial AC Motor Excludes Pulley Endplate
-S	Dodge Short-Series Brake
-TP	Refrigerator Fan Motor
A	Automatic Thermal Overload
C	IEC Frame B14 Face Mount
D	IEC Frame B5 Flange Mount
E	New electrical design
L	Long shafted motor with Ball bearings that may be converted to have D.E. Roller bearing.
LR	Long shafted motor with D.E. Roller bearing that may be converted to Ball bearings.
M	Manual Thermal Overload
P	Wound Field DC Motor NEMA "AT" Frame
S	Motor has a short shaft for coupled loads
T	NEMA "T" Frame Dimensions
TP	Feather Picker Motor
TR	NEMA "T" Frame - Roller Bearing
TS	NEMA "T" Frame - Short Shaft
TS	NEMA "T" Frame - Short Shaft

Controls Suffix

-0	IP20- VS1 Drives
-1	NEMA 1 - VS1 Drives
-2	NEMA 1 2- VS1 Drives
-4	NEMA 4- VS1 Drives
-D	Disconnect - VS1MX Drives
-T	Transistor Braking - VS1 Drives

Gearing Suffix

900 Series	
A	56C Motor Flange
B	140TC Motor Flange
C	180TC Motor Flange
G	Left Hand Output Shaft
H	Double End Output Shaft
J	Right Hand Output Shaft
Universal Series	
A	56C or Right Hand Output Shaft
B	140TC Motor Flange
C	180TC Motor Flange

Grinders Suffix

D	Deluxe
E	Exhaust Guards
W	Wide Design

Single Phase, TEFC, Foot Mounted

1/12 thru 15 Hp

NEMA 42 thru 256T

Applications: Compressors, pumps, fans, farm equipment, conveyors, material handling equipment, machine tools and others.

Features: Heavy gauge steel frames and a heavy duty base seam welded to the frame, ball bearings, a "Snap Action" starting switch and gasketed conduit box and capacitor cover.



Hp	RPM	NEMA Frame	Catalog Number	List Price	Mult. Sym.	"C" Dim.	Aprx. Wt. (lb)	Full Load Efficiency	Voltage	Full Load Amps	Notes (a)	
1/12	1800	42	L3351	296	K	9.56	15	44	115/230	1	3, 30	
	3600	42	L3352	303	K	9.56	15	45	115/230	1.3	3, 30	
1/8	1800	42	L3353	308	K	9.56	16	47	115/230	1.6	3, 30	
	3600	42	L3354	318	K	9.56	16	52	115/230	1.6	3, 30	
1/6	1800	42	L3355	336	K	9.56	18	51	115/230	1.8	3, 30	
		48	L3400	335	K	10.72	18	49	115/230	1.9	3, 30	
	1200	48	L3401	472	K	10.72	23	47	115/230	2.3	3, 30	
1/4	3600	42	L3356	340	K	9.56	18	57	115/230	2	3, 30	
		48	EL3403	420	K	11.35	24	74	115/230	1.3	1, 13, 65	
		48	L3403	344	K	10.72	20	55	115/230	2.5	3, 30	
	1800	48	L3403M	394	K	10.72	11	55	115/230	2.5	3, 30	
		48	L3404	503	K	11.34	25	48	115/230	3.2	3, 30	
		56	L3500	528	K	12.25	30	52.5	115/230	2.6	3, 30	
1/3	3600	48	EL3405	402	K	11.35	27	72	115/208-230	1.6	1, 13, 65	
		48	L3405	313	K	10.72	21	55	115/208-230	3	3	
	1800	48	L3406	365	K	10.72	22	60	115/230	3	3, 30	
		48	L3406M	414	K	10.72	22	60	115/230	3	3, 30	
		56	EL3501	464	K	11.97	27	77	115/230	1.6	1, 13, 65	
		56	L3501	353	K	11.34	22	60	115/230	3	3, 30	
		56	L3501M	414	K	11.34	22	60	115/230	3	3, 30	
		48	L3407	553	K	11.34	27	54	115/230	3.7	3, 30	
	1200	56	L3502	553	K	11.97	28	54	115/230	3.7	3, 30	
		48	L3408	354	K	10.73	22	66	115/230	3.5	3, 30	
	1/2	3600	56	EL3503	455	K	11.97	23	68	115/230	2.5	12, 65
			56	L3503	354	K	11.35	23	66	115/230	3.5	3, 30
48			L3409	405	K	11.34	26	68	115/230	3.7	3, 30	
1800		48	L3409M	487	K	11.34	26	68	115/230	3.7	3, 30	
		56	EL3504	547	K	11.97	30	78.5	115/230	2.3	1, 12, 65	
		56	L3504	414	K	11.35	27	68	115/230	3.7	3, 30	
		56	L3504A	495	K	11.97	27	68	115/230	3.7	3, 30	
1200		56	L3504M	487	K	11.97	27	68	115/230	3.7	3, 30	
		56/56H	L3505	784	K	12.91	43	62.5	115/230	3.9	3, 30, 36	
		56	EL3506	512	K	11.97	29	72	115/230	3.9	12, 65	
3/4	3600	56	L3506	399	K	11.97	28	66	115/230	4.8	3, 30	
		56	EL3507	666	K	13.25	44	82.5	115/208-230	3.2	1, 12, 65	
	1800	56	L3507	477	K	12.47	33	72	115/230	4.2	30, 65	
		56	L3507A	598	K	12.47	35	74	115/230	4.1	30, 65	
		56	L3507M	572	K	12.47	33	74	115/230	4.1	30, 65	
		56/56H	L3508	907	K	12.93	44	73.5	115/230	3.9	2, 30, 36, 65	
	1200	143T	L3508T	893	L1	13.29	46	73.5	115/230	3.9	2, 30, 65	

(a) See notes on inside back flap.

Single Phase, TEFC, Foot Mounted

Hp	RPM	NEMA Frame	Catalog Number	List Price	Mult. Sym.	"C" Dim.	Aprx. Wt. (lb)	Full Load Efficiency	Voltage	Full Load Amps	Notes (a)
1	3600	56/56H	EL3509	591	K	12.93	38	74	115/208-230	4.7	12, 65
		56/56H	L3509	462	K	12.93	37	68	115/230	5.9	3, 30, 36
		56/56H	L3509M	522	K	12.93	40	66	115/230	6	3, 36
	1800	56/56H	L3510A	672	K	12.91	40	67	115/230	6.5	3, 30, 36
		56/56H	L3510M	649	K	12.93	38	67	115/230	6.5	3, 30, 36
		56/56H	EL3510	765	K	13.81	45	82.5	115/230	4.3	1, 36, 65
		56/56H	L3510	541	K	12.93	41	68	115/230	6.4	3, 30, 36
		143T	L3510T	552	L1	13.29	39	68	115/230	6.4	3, 30
		143T	L3510TM	649	L1	13.31	40	67	115/230	6.5	3, 30
1 1/2	3600	56/56H	L3513	619	K	12.93	41	70	115/230	8	3, 30, 36
		56/56H	L3513M	708	K	12.91	46	70	115/230	7.5	2, 3, 36
		143T	L3513T	607	L1	13.31	43	70	115/230	8	3, 30
	1800	56/56H	L3514	625	K	13.81	49	80	115/230	6.2	30, 36, 65
		56/56H	L3514A	797	K	13.81	48	75.5	115/230	8	2, 36, 65
		56/56H	L3514M	733	K	13.81	51	75.5	115/208-230	8	2, 36, 65
		56/56H	EL3514	871	K	15.18	58	84	115/230	6.3	1, 36, 65
		145T	EL3514T	871	L1	15.55	58	84	115/230	6.3	1, 65
		145T	L3514T	634	L1	13.30	44	78.5	115/208-230	7	65
	1200	145T	L3514TM	733	L1	14.17	49	75.5	115/208-230	8	2, 65
		184T	L3613T	1,657	L1	16.56	77	73	115/230	8.2	1, 30, 65
		56/56H	L3515	790	K	13.79	52	74	115/230	11.5	1, 3, 30, 36
2	3600	56/56H	L3515M	827	K	13.79	52	74	115/230	11.5	2, 3, 36
		145T	L3515T	797	L1	14.19	52	74	115/230	11.5	1, 3, 30
		145T	EL3515T	1,022	L1	14.18	65	77	115/208-230	8.3	1, 65
		56HZ	L3516TM	1,043	K	13.31	46	82.5	208-230	8.1	1, 57
	1800	145T	L3516T	1,013	L1	14.17	51	78.5	115/230	8.8	1, 65
		182T	L3605T	905	L1	16.56	68	75.5	115/230	11.5	3, 30
		182T	L3605TM	1,104	L1	16.56	73	75	115/230	11	2, 3
		182T	EL3605T	1,191	L1	16.56	66	82.5	115/230	8.8	1, 65
		182T	EL3606T	1,112	L1	16.56	79	82	115/230	12.4	2, 65
3	3600	182T	L3606T	934	L1	16.56	74	76	115/230	14.5	1, 3, 30
		184T	EL3609T	1,390	L1	18.06	89	85.5	230	11.8	1, 65
	1800	184T	L3609T	1,065	L1	16.56	80	78	115/230	14	2, 20, 30, 65
5	3600	184T	EL3609TM	1,152	L1	16.54	79	78	115/230	14.5	2, 20
		184T	L3608T	1,533	L1	18.06	91	85	230	19.4	2, 20, 65
		184T	L3608T	1,285	L1	18.06	88	83	230	19.5	2, 20, 65
	1800	184T	L3608TM	1,326	L1	18.05	89	83	230	19.5	2, 20
		184T	EL3612T	1,658	L1	18.06	97	86.5	230	19.1	2, 20, 65
		184T	L3612TM	1,339	L1	18.05	100	80	230	23	2, 20
7 1/2	213T	L3708T	1,271	L1	19.02	116	84	230	20.5	1, 30, 65	
	213T	L3708TM	1,493	L1	19.02	135	82	230	21.5	2, 65	
10	3600	213T	L3709T	1,655	L1	17.89	123	83	230	33	2, 30, 65
	1800	215T	L3710T	1,679	L1	19.02	134	86.5	230	29	2, 20, 30, 65
15	3600	215T	L3711T	2,029	L1	19.02	148	82	230	40	2, 20, 65
	1800	215T	L3712T	2,060	L1	20.52	158	86.5	230	38	2, 20, 65
15	1800	254T	L1177T	5,867	L1	23.28	323	86.5	230	60	2, 20, 65
		256T	L3912T	5,269	L1	24.56	303	86.5	208-230	58	

(a) See notes on inside back flap.

■ Cast Iron Frame

General Information

Single Phase Motors

General Purpose Industrial Motors

Severe Duty Motors

Large AC Motors

Washdown Duty Motors

Explosion Proof Motors

Pump Motors

HVAC Motors

Farm Duty Motors

Single Phase, TEFC, C-Face, No Drip Cover

1/6 thru 10 Hp

NEMA 56C thru 215TC

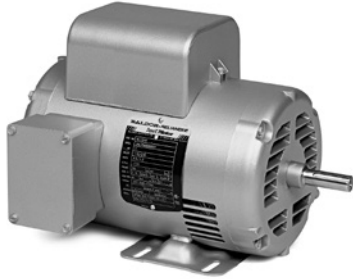
Applications: Pumps, fans, conveyors, machine tools, gear reducers and other applications requiring a NEMA C-face motor.

Features: Pressure cast aluminum end plates with ribbed design for rigidity. Ball bearings with a locked drive end bearing, heavy-gauge steel frame, and gasketed conduit box and capacitor cover.



Hp	RPM	NEMA Frame	Catalog Number	List Price	Mult. Sym.	"C" Dim.	Aprx. Wt. (lb)	Full Load Efficiency	Voltage	Full Load Amps	Notes (a)
C-Face, Foot Mounted											
1/4	1800	56C	CL3403	363	K	11.35	20	55	115/230	2.5	3
	3600	56C	CL3405	362	K	11.35	21	55	115/208-230	3	3
1/3	1800	56C	CL3501	379	K	11.35	23	60	115/230	3	3, 30
	3600	56C	CL3503	380	K	11.35	23	66	115/230	3.5	3, 30
1/2	1800	56C	CL3504	443	K	11.35	28	68	115/230	3.7	3, 30
	3600	56C	CL3506	423	K	11.97	29	66	115/230	4.8	3, 30
3/4	1800	56C	CL3507	529	K	12.47	34	72	115/230	4.2	30, 65
	3600	56C	CL3509	489	K	12.25	36	68	115/230	5.9	3, 30
1	1800	56C	CL3510	597	K	13.25	40	68	115/230	6.4	3, 30
	3600	56C	CL3513	633	K	13.25	46	70	115/230	7.5	3, 30
1 1/2	1800	56C	CL3514	708	K	14.12	51	80	115/230	6.2	30, 65
	3600	56C	CL3515	816	K	14.12	50	74	115/230	11.5	1, 3, 30
2	1800	145TC	CL3515T	823	L1	14.19	53	74	115/230	11.5	1, 3, 30
	3600	145TC	CL3516TM	1,052	L1	14.16	53	82.5	208-230	7.9	1
3	1800	184TC	CL3619TM	1,368	L1	16.54	81	81.5	230	13.2	2, 20
	3600	184TC	CL3608TM	1,482	L1	18.05	92	83	230	19.5	2, 20
5	1800	184TC	CL3612TM	1,434	L1	18.05	102	80	230	23	2, 20
	3600	215TC	CL3711T	2,409	L1	19.75	167	82	230	40	2, 20
10	1800	215TC	CL3712T	2,438	L1	21.25	171	86.5	230	38	2, 20
	C-Face, Footless										
1/6	1800	56C	KL3400	353	K	11.35	19	49	115/230	1.9	3, 30
	1200	56C	KL3401	494	K	11.35	24	47	115/230	2.3	3, 30
1/4	1800	56C	KL3403	363	K	11.35	20	55	115/230	2.5	3, 30
	3600	56C	KL3405	335	K	11.35	24	55	115/208-230	3	3
1/3	1800	56C	VL3501	372	K	11.35	22	60	115/230	3	3, 30
	3600	56C	VL3503	376	K	11.35	23	66	115/230	3.5	3, 30
1/2	1800	56C	VL3504	435	K	11.35	27	68	110/220	3.7	3, 30
	1200	56C	VL3505	805	K	13.25	43	62.5	115/230	3.9	3, 30
3/4	3600	56C	VL3506	418	K	11.97	29	66	115/230	4.8	3, 30
	1800	56C	VL3506A	462	K	11.97	28	66	115/230	4.8	3
1	1200	56C	VL3507	498	K	12.47	33	72	115/230	4.2	1, 30, 65
	3600	56C	VL3508	926	K	13.25	44	73.5	115/230	3.9	2, 30, 65
1	3600	56C	VL3509	481	K	12.25	36	68	115/230	5.9	3, 30
	1800	56C	VL3509A	526	K	13.25	41	66	110/220	6	3
1 1/2	3600	56C	VL3510	571	K	13.25	40	68	115/230	6.4	3, 30
	1800	143TC	VL3510T	571	L1	13.29	44	68	115/230	6.4	3, 30
2	3600	56C	VL3513	626	K	13.25	40	70	115/230	8	3, 30
	1800	143TC	VL3513T	665	L1	13.31	41	70	115/230	8	3, 30
3	3600	56C	VL3514	647	K	14.12	48	80	115/230	6.2	30, 65
	1800	145TC	VL3514T	654	L1	14.17	50	80	115/230	6.2	30, 65
2	3600	56C	VL3515	801	K	14.12	50	74	115/230	11.5	1, 3, 30
	1800	145TC	VL3515T	816	L1	14.19	51	74	115/230	11.5	1, 3, 30
3	3600	182TC	VL3605T	1,157	L1	16.55	66	75.5	115/230	11.5	3, 30
	1800	184TC	VL3606T	1,291	L1	16.55	73	76	115/230	14.5	1, 3, 30
3	3600	182TC	VL3606T	1,291	L1	16.55	73	76	115/230	14.5	1, 3, 30
	1800	184TC	VL3609T	1,366	L1	16.55	79	78	115/230	14	2, 20, 30, 65

(a) See notes on inside back flap.

NEW!**Single Phase Motors****Small Motor Rule,
Single Phase,
Open Drip Proof,
Foot Mounted****1/4 thru 2 Hp****NEMA 48 thru 56H****Applications:** Compressors, pumps, conveyors, machine tools, air handling, and others.**Features:** Compliant with DOE Small Motor Rule 2010. These Super-E® motors comply with DOE Average Efficiency and have a 3 year warranty.**Note:** Required for compliance after March 9, 2015.

Hp	RPM	NEMA Frame	Catalog Number	List Price	Mult. Sym.	"C" Dim.	Aprx. Wt. (lb)	Full Load Efficiency	Voltage	Full Load Amps	Notes (a)
1/4	1800	48	EL11203	383	K	9.76	19	68.5	115/230	1.3	1, 65, 13
	1200	48	EL11204	456	K	9.76	25	64	115/230	1.45	30
1/3	3600	48	EL11205	404	K	9.76	24	70.5	115/230	1.5	65, 13
	1800	48	EL11206	412	K	9.76	27	72.4	115/230	1.7	30
		56	EL11301	412	K	10.13	27	72.4	115/230	1.7	1, 65, 13
	1200	56	EL11302	487	K	10.13	30	66.6	115/230	2.3	30
1/2	3600	48	EL11208	430	K	9.76	24	72.4	115/230	2.5	30
		56	EL11303	430	K	10.13	24	72.4	115/230	2.5	65, 12
	1800	56	EL11304	462	K	11.00	32	76.2	115/230	2.35	1, 65, 12
	1200	56/56H	EL11305	732	K	11.75	46	76.2	115/230	2.2	30, 36
3/4	3600	56	EL11306	450	K	11.00	39	76.2	115/230	3.3	65, 12
	1800	56	EL11307	550	K	12.07	39	81.8	115/230	3.5	1, 65, 12
1	3600	56	EL11309	528	K	12.07	43	82	115/230	3.9	65, 12
	1800	56	EL11310	634	K	12.07	44	82.6	115/230	4.2	1, 65
1 1/2	3600	56H	EL11313	600	K	12.62	52	82	115/230	5.9	65
	1800	56H	EL11319	755	K	14.00	59	83.8	115/230	6.2	1, 36, 65
2	3600	56H	EL11317	663	K	14.00	66	82.9	115/230	7.8	

(a) See notes on inside back flap.

General Information

Single Phase Motors

General Purpose Industrial Motors

Severe Duty Motors

Large AC Motors

Washdown Duty Motors

Explosion Proof Motors

Pump Motors

HVAC Motors

Farm Duty Motors

NEW!

Single Phase, ODP, Foot Mounted

1/6 thru 10 Hp

NEMA 48 thru 215T



Applications: Compressors, pumps, conveyors, machine tools, air handling, and others.

Features: Copper windings, dynamically balanced rotors, ball bearings, heavy-gauge steel frames, and other industrial quality features.

Note: Non-compliant small motors may not be manufactured after March 9, 2015. Pre-existing inventory may be sold or used. Contact Baldor for new compliant motors.

Hp	RPM	NEMA Frame	Catalog Number	List Price	Mult. Sym.	"C" Dim.	Aprx. Wt. (lb)	Full Load Efficiency	Voltage	Full Load Amps	Notes (a)	
1/6	1800	48	L1200	279	K	9.13	18	49	115/230	1.9	30, 98	
	1200	48	L1201	427	K	9.38	23	47	115/230	2.3	30, 98	
1/4	1800	48	EL1203	365	K	9.76	23	74	115/230	1.3	1, 65, 13	
		48	L1203	284	K	9.13	21	59.5	115/230	2.2	30, 98	
		48	L1203M	326	K	9.13	20	55	115/230	2.5	30, 96	
	1200	48	L1204	456	K	9.75	25	48	115/230	3.2	30, 98	
		56	L1300	475	K	10.13	25	48	115/230	3.2	30, 98	
		48	EL1205	333	K	9.76	27	72	115/208-230	1.6	65, 13	
1/3	3600	48	L1205	268	K	9.13	20	55	115/208-230	3	98	
		48	L1206	326	K	9.13	21	60	115/230	3	30, 98	
	1800	48	L1206M	367	K	9.13	22	60	115/230	3	30, 96	
		56	EL1301	431	K	10.13	26	77	115/230	1.6	1, 65, 13	
		56	L1301	329	K	9.51	21	60	115/230	3	30, 98	
		56	L1301M	386	K	9.51	22	60	115/230	3	30, 96	
		1200	48	L1207	487	K	10.63	29	54	115/230	3.7	30, 98
			56	L1302	487	K	11.01	28	54	115/230	3.7	30, 98
	1/2	3600	48	L1208	296	K	9.13	21	57	115/230	3.7	30, 98
			56	EL1303	367	K	10.13	23	68	115/230	2.5	65, 12
			56	L1303	296	K	9.51	21	66	115/230	3.5	30, 98
		1800	48	L1209	410	K	9.75	26	68	115/230	3.7	30, 98
48			L1209M	455	K	9.38	24	62	115/230	4.2	30, 96	
56			EL1304	494	K	11.01	30	78.5	115/230	2.3	1, 65, 12	
56			L1304	365	K	10.13	26	68	115/230	3.7	30, 98	
56			L1304A	434	K	9.76	24	62	115/230	4.2	30, 96	
56			L1304M	455	K	9.76	24	62	115/230	4.2	30, 96	
1200		56/56H	L1305	732	K	11.75	34	62	115/230	4.1	30, 36, 98	
3/4		3600	56	EL1306	447	K	11.01	29	72	115/230	3.9	65, 12
			56	L1306	362	K	12.85	26	72	115/230	4.7	30, 98
	56		L1306A	380	K	11.75	28	69	115/230	5.5	96	
	1800	56	EL1307	608	K	12.06	38	84	115/208-230	3.3	1, 65, 12	
		56	L1307	450	K	11.51	35	68	115/230	5.1	30, 98	
		56	L1307A	528	K	11.51	32	68	115/230	5.1	30, 96	
1200	56/56H	L1307M	541	K	11.51	32	68	115/230	5.1	30, 96		
1	3600	56/56H	L1308	824	K	11.75	43	68	115/230	5	30, 36, 65, 98	
		56	EL1309	470	K	11.01	32	74	115/208-230	5.1	65, 12	
		56	L1309	379	K	11.01	31	65	115/230	7.5	30, 98	
	1800	56	L1309A	404	K	11.01	31	70	115/230	6.6	96	
		56/56H	L1318	538	K	11.75	43	67	115/230	6.2	30, 36, 98	
		56/56H	L1318M	586	K	11.75	43	67	115/230	6.2	2, 36, 96	
		56	EL1310	663	K	12.94	43	84	115/208-230	4.3	1, 65	
		56	L1310	492	K	11.07	34	66	115/230	6.7	30, 98	
		56/56H	L1310M	629	K	11.75	36	66	115/230	6.7	30, 36, 96	
	143T	L1318T	561	L1	12.12	43	67	115/230	6.2	30		
		L1318TM	586	L1	12.12	42	67	115/230	6.2	2		

(a) See notes on inside back flap.

Single Phase, ODP, Foot Mounted

Hp	RPM	NEMA Frame	Catalog Number	List Price	Mult. Sym.	"C" Dim.	Aprx. Wt. (lb)	Full Load Efficiency	Voltage	Full Load Amps	Notes (a)	
1 1/2	3600	56/56H	L1313A	556	K	11.75	40	68	115/230	9	30, 36, 98	
		56H	EL1313	658	K	12.25	37	80	115/208-230	6.2	65	
		56H	L1313	532	K	11.75	40	77	115/230	6.4	30, 36, 65, 98	
		143T	L1313T	532	L1	11.12	36	70	115/230	8.9	30	
	1800	56/56H	L1319	634	K	11.75	42	68	115/230	9	30, 36, 98	
		56/56H	L1319M	707	K	11.75	43	68	115/230	9	36, 98	
		56H	EL1319	868	K	14.00	50	85.5	115/208-230	6.3	1, 36, 65	
		145T	EL1319T	839	L1	13.00	50	85.5	115/208-230	6.3	1, 65	
		145T	L1319T	599	L1	12.12	42	68	115/230	9	30	
		145T	L1321T	719	L1	13.00	49	70	115/230	10.5	30	
	2	3600	56/56H	L1317	707	K	11.75	44	70	115/230	13	30, 36, 98
			56/56H	L1317A	727	K	11.75	43	70	115/230	12	30, 36, 98
56H			EL1317	875	K	11.75	47	75.5	115/230	9		
145T			L1320T	758	L1	12.12	46	71	115/230	11.5	30, 65	
1800		145T	L1322T	733	L1	13.00	49	75.5	115/208-230	10.2	65	
		145T	L1322TM	798	L1	13.00	45	78.5	115/230	9.2	65	
		182T	EL1405T	1,014	L1	15.87	65	82.5	115/230	8.8	1, 65	
		182T	L1405T	752	L1	15.00	66	71	115/230	12	30	
3	3600	182T	EL1406T	1,068	L1	15.00	70	81	115/230	12.3	65	
		182T	L1406T	862	L1	15.00	65	78	115/230	14	30	
	1800	184T	EL1408T	1,062	L1	16.50	81	85.5	208-230	11.2	1, 65	
		184T	L1408T	814	L1	15.00	76	78	115/230	16	30, 65	
5	3600	184T	L1408TM	958	L1	15.00	74	78	115/230	16		
		184T	EL1409T	1,268	L1	15.00	79	81.5	230	20	65	
	1800	184T	L1409T	1,026	L1	15.00	79	75	230	23	30	
		184T	EL1410T	1,213	L1	18.00	97	86.5	230	19.1	1, 65	
		184T	L1410T	962	LS	16.50	81	82.5	230	23	1, 30, 65	
		184T	L1410TM	1,165	L1	16.50	85	82.5	230	23	1, 30	
		184T	L1430T	883	L1	16.55	78	84	230	20.6	1, 30, 65	
		184T	L1430TM	1,165	L1	16.55	82	80	230	24	1, 30, 65	
7 1/2	3600	213T	L1508T	1,271	L1	16.32	108	77	230	27		
	1800	215T	L1509T	1,585	L1	18.37	94	82.5	230	30	1, 30, 65	
10	3600	215T	L1510T	1,379	L1	17.45	134	85.5	230	31	30, 65	
	1800	215T	L1511T	1,999	L1	17.45	131	83	230	46	1, 30	
10	1800	215T	L1512T	2,013	L1	17.45	132	85.5	230	39	2, 65	

(a) See notes on inside back flap.

General Information

Single Phase Motors

General Purpose Industrial Motors

Severe Duty Motors

Large AC Motors

Washdown Duty Motors

Explosion Proof Motors

Pump Motors

HVAC Motors

Farm Duty Motors

Single Phase, ODP, C-Face

1/6 thru 5 Hp

NEMA 56C thru 184TC

Applications: Pumps, fans, conveyors, machine tools, gear reducers and other applications requiring a NEMA C-face motor.

Features: Pressure cast aluminum end plates with ribbed design for rigidity. Ball bearings with a locked drive end bearing, heavy-gauge steel frame.

Note: Non-compliant small motors may not be manufactured after March 9, 2015. Pre-existing inventory may be sold or used. Contact Baldor for new compliant motors.



Hp	RPM	NEMA Frame	Catalog Number	List Price	Mult. Sym.	"C" Dim.	Aprx. Wt. (lb)	Full Load Efficiency	Voltage	Full Load Amps	Notes (a)
C-Face, Foot Mounted, No Drip Cover											
1/3	1800	56C	CL1301	369	K	10.10	23	60	115/230	3	30, 98
1/2	3600	56C	CL1303	327	K	10.06	22	66	115/230	3.5	30, 98
	1800	56C	CL1304	420	K	10.35	25	62	115/230	4.2	30, 98
3/4	1800	56C	CL1307	481	K	12.06	33	68	115/230	5.1	30, 98
1	1800	56C	CL1310	553	K	11.06	34	66	115/230	6.7	30, 98
3	1800	184TC	CL1408TM	1,012	L1	15.00	80	78	115/230	16	
5	1800	184TC	CL1410TM	1,220	L1	16.50	88	82.5	230	23	1, 30
C-Face, Footless, Drip Cover											
1/6	1800	56C	KL1200	299	K	11.22	19	49	115/230	1.9	30, 98
1/4	1800	56C	KL1203	304	K	11.22	21	55	115/230	2.5	30, 98
1/3	3600	56C	KL1205	290	K	11.22	21	55	115/208-230	3	98
		56C	KL1205A	296	K	11.35	21	55	115/230	3	30, 96
	1800	56C	VL1301	350	K	11.22	23	60	115/230	3	30, 98
1/2	3600	56C	VL1303	318	K	11.22	23	66	115/230	3.5	30, 98
	1800	56C	VL1304	385	K	11.47	25	62	115/230	4.2	30, 98
	1200	56C	VL1305	752	K	13.24	39	62	115/230	4.1	30, 98
3/4	3600	56C	VL1306	380	K	12.85	27	72	115/230	4.7	30, 98
	1800	56C	VL1307	470	K	13.22	33	68	115/230	5.1	30, 98
	1200	56C	VL1308	843	K	13.24	44	68	115/230	5	30, 98
1	3600	56C	VL1309	400	K	12.72	32	65	115/230	7.5	30, 98
	1800	56C	VL1310	512	K	12.24	35	66	115/230	6.7	30, 98
		56C	VL1318	556	K	13.24	42	67	115/230	6.2	30, 98
1 1/2	3600	56C	VL1313	553	K	12.73	33	77	115/230	6.4	30, 98
	1800	56C	VL1319	654	K	13.24	43	68	115/230	9	30, 98
		145TC	VL1321T	740	L1	14.17	48	70	115/230	10.5	30
2	3600	56C	VL1317	727	K	13.24	43	70	115/230	13	30, 98
	1800	145TC	VL1322T	754	L1	14.18	49	75.5	115/208-230	10.2	65
3	3600	182TC	VL1406T	916	L1	15.18	61	75.5	115/230	13.6	30, 65
	1800	184TC	VL1408T	927	L1	16.55	78	78	115/230	16	30, 65

(a) See notes on inside back flap.

General Information

Single Phase Motors

General Purpose Industrial Motors

Severe Duty Motors

Large AC Motors

Washdown Duty Motors

Explosion Proof Motors

Pump Motors

HVAC Motors

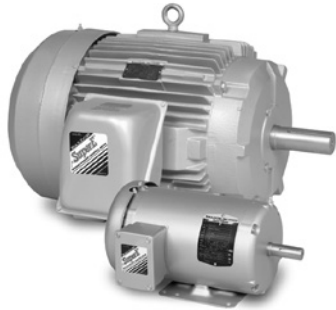
Farm Duty Motors

Three Phase,
Totally Enclosed,
Foot Mounted

1/8 thru 400 Hp

NEMA 42 thru 449T

Applications: Pumps, compressors, fans, conveyors, machine tools and other general purpose three phase applications.



Features: Suitable for mounting in any position. Ball bearings, heavy-gauge steel and cast-iron frames, gasketed conduit boxes, 1.15 service factor or greater, and low-loss electrical grade lamination steel. Super-E® motors have NEMA Premium® efficiency and 3 year warranty. Motors with TR suffix have roller bearings for heavy belted loads.

Hp	RPM	NEMA Frame	Enclosure	Catalog Number	List Price	Mult. Sym.	"C" Dim.	Aprx. Wt. (lb)	Full Load Efficiency	Voltage	Full Load Amps	Notes (a)
1/8	1800	42	TEFC	M3353	376	K	9.56	16	44	230/460	0.5	30
1/6	1800	42	TEFC	M3355	426	K	9.56	17	62	230/460	0.6	30, 13
	1200	48	TEFC	M3452	439	K	10.73	17	57.5	230/460	0.6	30, 13
1/4	1800	48	TEFC	M3454	311	K	10.73	19	64	230/460	0.7	30, 13
		48	TENV	NM3454	326	K	9.62	20	68	230/460	0.5	1, 30, 13
		56	TENV	NM3454/35	524	K	11.06	28	80	230/460	0.4	1, 30, 48
	1200	48	TEFC	M3455	489	K	10.73	18	68	230/460	0.7	30, 13
		48	TENV	NM3455	450	K	9.62	19	68	230/460	0.7	30
		56	TEFC	M3531	484	K	11.35	23	68	230/460	0.7	30, 13
900	56	TEFC	M3532	705	K	12.23	28	57.5	208-230/460	0.8	13	
1/3	3600	48	TENV	M3457	316	K	9.62	20	72	230/460	0.7	30, 13
	1800	48	TEFC	M3458	379	K	10.73	11	68	230/460	0.8	30, 13
		56	TEFC	M3534	340	LS	11.35	21	68	230/460	0.8	30, 13
		56	TENV	NM3534	365	K	10.25	23	70	230/460	0.7	1, 30, 13
	1200	56	TEFC	M3535	544	K	11.35	22	70	230/460	0.9	30, 13
	900	56	TEFC	M3536	768	K	12.23	29	59.5	208-230/460	1	13
1/2	3600	48	TEFC	M3460	366	K	10.73	19	68	230/460	1	30, 12
		56	TEFC	M3537	366	K	11.35	19	68	230/460	1	30, 12
	1800	48	TEFC	M3461	444	K	10.73	22	74	230/460	1	30, 12
		56	TEFC	EM3538	660	LS	12.23	29	82.5	230/460	0.8	1, 30
		56	TEFC	M3538	389	LS	11.35	23	74	230/460	1	30, 12
		56	TEFC	M3538/35	501	K	12.23	25	72	208-230/460	1.1	1, 48
		56	TENV	NM3538	423	K	10.88	25	75.5	230/460	0.9	1, 30, 12
	1200	56	TENV	NM3538/35	511	K	11.06	27	80	230/460	0.8	1, 30, 48
		56	TEFC	M3539	586	K	11.35	24	72	230/460	1.2	30
		56	TENV	NM3539	644	K	12.06	40	78.5	230/460	1	30
900	56/56H	TEFC	M3560	862	K	12.91	38	70	208-230/460	1.3	36	
3/4	3600	48	TEFC	M3463	403	K	10.73	21	74	230/460	1.3	30, 12
		56	TEFC	M3541	403	K	11.35	21	74	230/460	1.3	30, 12
	1800	48	TEFC	M3464	480	K	10.73	30	75.5	208-230/460	1.5	12
		56	TEFC	M3542	416	LS	11.35	25	75.5	208-230/460	1.5	12
		56	TENV	NM3542	455	K	11.06	29	78.5	230/460	1.4	1, 30, 12
	1200	56/56H	TEFC	M3543	598	K	12.84	32	77	208-230/460	1.5	
		143T	TEFC	M3543T	598	L1	13.41	33	77	208-230/460	1.5	

(a) See notes on inside back flap.

General Information

Single Phase Motors

General Purpose Industrial Motors

Severe Duty Motors

Large AC Motors

Washdown Duty Motors

Explosion Proof Motors

Pump Motors

HVAC Motors

Farm Duty Motors

Three Phase, Totally Enclosed, Foot Mounted

Hp	RPM	NEMA Frame	Enclosure	Catalog Number	List Price	Mult. Sym.	"C" Dim.	Aprx. Wt. (lb)	Full Load Efficiency	Voltage	Full Load Amps	Notes (a)	
1	3600	56	TEFC	EM3545	641	K	12.25	37	77	230/460	1.4	1, 12	
		56	TEFC	M3545	472	K	11.35	23	75.5	230/460	1.8	30, 12	
	1800	56	TEFC	EM3546	738	LS	12.23	35	85.5	208-230/460	1.5	1	
		56	TEFC	M3546	433	LS	12.00	30	78.5	208-230/460	1.7		
		56	TEFC	M3546/35	523	K	12.23	24	82.5	208-230/460	1.6	1, 48	
		56	TENV	NM3546	497	K	12.06	39	85.5	208-230/460	1.5	1, 48	
		143T	TEFC	EM3546T	706	LS	12.31	35	85.5	208-230/460	1.5	1, 30	
		143T	TEFC	EM3581T	913	L1	12.53	51	85.5	208-230/460	1.5	1	
	1200	143T	TENV	NM3546T	523	L1	11.13	34	82.5	208-230/460	1.5	1	
		56/56H	TEFC	M3556	608	K	12.91	37	78.5	208-230/460	1.9	36	
		56	TEFC	EM3556	841	K	13.23	42	82.5	208-230/460	1.8	1	
		145T	TEFC	EM3556T	846	L1	13.31	42	82.5	208-230/460	1.8	1	
	1 1/2	900	145T	TEFC	EM3582T	1,023	L1	12.53	56	82.5	208-230/460	1.7	1
			182T	TEFC	M3617T	1,211	L1	15.17	62	74	208-230/460	2.2	30
56			TEFC	EM3550	679	K	12.25	35	84	208-230/460	1.9	1	
3600		56	TEFC	M3550	515	K	11.97	29	80	208-230/460	2.3		
		143T	TEFC	EM3550T	726	L1	12.31	36	84	208-230/460	1.9	1	
		143T	TEFC	EM3583T	966	L1	12.53	52	84	208-230/460	1.9	1	
		56	TEFC	EM3554	820	LS	13.23	40	86.5	208-230/460	2.2	1	
		56	TEFC	M3554	489	LS	12.23	35	81.5	208-230/460	2.3		
		145T	TEFC	EM3554T	734	LS	13.31	41	86.5	208-230/460	2.2	1	
1800		145T	TEFC	EM3584T	947	L1	12.53	57	86.5	208-230/460	2.3	1	
		145T	TENV	NM3554T	546	L1	12.12	42	85.5	208-230/460	2.3	1, 48	
		56H	TEFC	M3557	698	K	13.79	46	80	208-230/460	2.5	2, 20, 36	
		182T	TEFC	EM3607T	989	L1	16.55	73	87.5	208-230/460	2.4	1	
1200		182T	TEFC	EM3667T	1,217	L1	15.24	93	87.5	208-230/460	2.5	1	
	900	184T	TEFC	M3618T	1,434	L1	18.04	88	77	208-230/460	2.8	2, 20	
2	3600	56	TEFC	EM3555	747	K	13.25	42	85.5	208-230/460	2.5	1	
		56/56H	TEFC	M3555	579	K	12.84	35	80	208-230/460	2.9		
		145T	TEFC	EM3555T	795	L1	13.31	43	85.5	208-230/460	2.5	1	
		145T	TEFC	EM3586T	1,014	L1	12.55	59	85.5	208-230/460	2.5	1	
	1800	56/56H	TEFC	M3558	528	LS	12.91	40	82.5	208-230/460	3	36	
		56	TEFC	EM3558	867	LS	13.23	46	86.5	208-230/460	2.9	1	
		145T	TEFC	EM3558T	761	LS	13.31	45	86.5	208-230/460	2.9	1	
		145T	TEFC	EM3587T	993	L1	12.53	58	86.5	208-230/460	2.9	1	
	1200	184T	TEFC	EM3614T	1,037	L1	18.05	93	88.5	208-230/460	3.5	1	
		184T	TEFC	EM3664T	1,237	L1	15.24	109	88.5	230/460	3.2	1	
	3	900	213T	TEFC	M3702T	1,816	L1	17.89	102	82.5	208-230/460	3.5	
			56/56H	TEFC	M3559	673	K	12.93	45	82.5	208-230/460	3.8	1, 36
		3600	145T	TEFC	EM3559T	871	L1	14.19	49	86.5	208-230/460	3.6	1
			182T	TEFC	EM3610T	882	L1	15.14	50	86.5	208-230/460	3.6	1, 30
182T			TEFC	EM3660T	1,096	L1	15.24	84	86.5	208-230/460	3.8	1	
182T			TEFC	EM3611T	840	LS	16.55	73	89.5	208-230/460	4.2	1	
1800		182T	TEFC	EM3661T	1,127	L1	15.24	97	89.5	208-230/460	4.1	1	
		1200	213T	TEFC	EM3704T	1,349	L1	19.02	134	89.5	230/460	4.6	1, 30
900		213T	TEFC	EM3764T	1,541	L1	18.45	173	89.5	208-230/460	4.5	1	
		215T	TEFC	M3705T	1,985	L1	19.01	139	84	208-230/460	5.6	2, 20	
5		3600	184T	TEFC	EM3613T	978	L1	16.55	75	88.5	230/460	5.9	1, 30
			184T	TEFC	EM3663T	1,349	L1	15.24	88	88.5	208-230/460	6.3	1
		1800	184T	TEFC	EM3615T	919	LS	18.05	93	89.5	208-230/460	6.7	1
			184T	TEFC	EM3665T	1,153	L1	15.24	107	89.5	208-230/460	6.6	1
	1200	215T	TEFC	EM3708T	1,524	L1	19.77	154	89.5	208-230/460	7.3	1	
		215T	TEFC	EM3768T	1,788	L1	18.45	195	89.5	208-230/460	7.4	1	
	900	254T	TEFC	M2280T	3,159	L1	22.83	229	85.5	208-230/460	8.3	1	

(a) See notes on inside back flap.

■ Cast Iron Frame

Three Phase, Totally Enclosed, Foot Mounted

Hp	RPM	NEMA Frame	Enclosure	Catalog Number	List Price	Mult. Sym.	"C" Dim.	Aprx. Wt. (lb)	Full Load Efficiency	Voltage	Full Load Amps	Notes (a)
7 1/2	3600	184T	TEFC	EM3616T	1,290	L1	18.05	98	89.5	208-230/460	8.4	1
		213T	TEFC	EM3709T	1,465	L1	17.89	116	89.5	208-230/460	9	1
		213T	TEFC	EM3769T	1,561	L1	18.45	165	89.5	208-230/460	9	1, 30
	1800	213T	TEFC	EM3710T	1,326	LS	19.02	128	91.7	230/460	9.4	1, 30
		213T	TEFC	EM3770T	1,504	L1	18.45	170	91.7	230/460	9.5	1, 30
	1200	254T	TEFC	EM2276T	2,549	L1	23.28	278	91	230/460	10.7	2, 30
900	256T	TEFC	M2401T	3,483	L1	23.28	270	85.5	208-230/460	14	1	
10	3600	215T	TEFC	EM3711T	1,485	L1	17.89	120	90.2	208-230/460	11.8	1
		215T	TEFC	EM3771T	1,830	L1	18.45	182	90.2	230/460	11.8	1, 30
	1800	215T	TEFC	EM3714T	1,497	LS	20.52	162	91.7	208-230/460	12	1
		215T	TEFC	EM3774T	1,687	L1	18.45	191	91.7	230/460	12.2	1, 30
	1200	256T	TEFC	EM2332T	2,909	L1	23.28	290	91	230/460	14.4	1, 30
	900	284T	TEFC	M2402T	4,044	L1	27.76	365	88.5	230/460	13.9	1, 30
15	3600	215T	TEFC	EM3713T	2,095	L1	20.52	169	91	208-230/460	17	1
		254T	TEFC	EM2394T	2,520	L1	23.28	241	91	230/460	17.5	1, 30
	1800	254T	TEFC	EM2333T	2,306	LS	23.28	270	92.4	230/460	18.1	1, 30
	1200	284T	TEFC	EM4100T	3,880	L1	27.76	391	91.7	230/460	21	1, 30
	900	286T	TEFC	M2395T	5,624	L1	27.76	400	88.5	230/460	21.1	1, 30
20	3600	256T	TEFC	EM4106T	2,766	L1	23.28	259	91	230/460	23	1, 30
	1800	256T	TEFC	EM2334T-12	2,865	L1	23.28	291	93	230/460	23	1, 30
		256T	TEFC	EM2334T	2,796	LS	23.28	289	93	230/460	24	1, 30
	1200	286T	TEFC	EM4102T	5,166	L1	27.76	399	91.7	208-230/460	27	1
900	324T	TEFC	M4112T	6,395	L1	30.28	537	89.5	208-230/460	34.1	1	
25	3600	256T	TEFC	EM4118T	3,226	L1	23.28	305	91.7	230/460	27	1
		284TS	TEFC	EM4107T	3,609	L1	24.70	327	91.7	230/460	29	1, 30
	1800	284T	TEFC	EM4103T	3,657	LS	27.76	436	93.6	230/460	30	1, 30
		284T	TEFC	EM4103T-12	3,742	L1	27.56	600	93.6	230/460	30	1, 25, 30
	1200	324T	TEFC	EM4111T	5,845	L1	30.39	445	93	230/460	32	1, 30
900	326T	TEFC	M4116T	7,899	L1	30.28	530	89.5	230/460	37	1	
30	3600	286TS	TEFC	EM4108T	4,288	L1	24.70	347	91.7	230/460	34	1, 30
	1800	286T	TEFC	EM4104T	4,338	LS	27.76	408	93.6	230/460	38	1, 30
		286T	TEFC	EM4104T-12	4,356	L1	27.76	425	93.6	230/460	36	1, 25
	1200	326T	TEFC	EM4117T	6,753	L1	30.28	604	93	230/460	39	1, 30
900	364T	TEFC	M4338T	8,784	L1	32.84	736	91	230/460	44	1, 30	
40	3600	324TS	TEFC	EM4109T	5,877	L1	28.78	528	92.4	230/460	46	1, 30
	1800	324T	TEFC	EM4110T	5,673	LS	30.28	578	94.1	230/460	48	1, 30
		324T	TEFC	EM4110T-12	5,808	L1	30.28	601	94.1	230/460	48	1, 25, 30
	1200	364T	TEFC	EM4308T	8,414	L1	33.48	899	94.1	230/460	49.4	1, 30
900	364T	TEFC	M4348T	10,895	L1	33.44	787	91.7	230/460	53.8	1, 30	
50	3600	326TS	TEFC	EM4114T	6,429	L1	28.78	578	93	208-230/460	56	1
	1800	326T	TEFC	EM4115T	6,199	LS	30.28	642	94.5	208-230/460	58	1
		326T	TEFC	EM4115T-12	6,338	L1	30.28	652	94.5	230/460	58	1, 25
		326TS	TEFC	EM4115TS	6,281	L1	28.78	639	94.5	230/460	58	1
	1200	365T	TEFC	EM4312T	10,167	L1	33.48	902	94.1	230/460	61.7	1, 30
900	405T	TEFC	M4458T	13,379	L1	38.04	1095	92.4	230/460	66.2	1	
60	3600	364TS	TEFC	EM4310T	9,032	L1	31.36	810	95	230/460	65.1	1, 30
	1800	364T	TEFC	EM4314T	8,919	LS	33.48	912	95	230/460	67.8	1, 30
		364T	TEFC	EM4314T-12	9,136	L1	33.48	850	95	230/460	68	1, 25
		364TS	TEFC	EM4314TS	8,938	L1	31.31	907	95	230/460	68	1
	1200	404T	TEFC	EM4403T	12,341	L1	38.45	1187	95	230/460	69	1, 30
900	405T	TEFC	M4468T	15,451	L1	38.31	1106	91.7	230/460	77	1	
75	3600	365TS	TEFC	EM4313T	10,507	L1	31.36	980	94.5	230/460	80.7	1, 30
	1800	365T	TEFC	EM4316T	10,429	LS	33.48	955	95.4	230/460	84.9	1, 30
		365T	TEFC	EM4316T-12	10,695	L1	33.48	955	95.4	230/460	85.9	1, 25
		365TS	TEFC	EM4316TS	10,451	L1	31.31	946	95.4	230/460	85.9	1
	1200	405T	TEFC	EM4404T	14,371	L1	38.20	1229	94.5	230/460	86.8	1, 30

(a) See notes on inside back flap.

■ Cast Iron Frame

General Information

Single Phase Motors

General Purpose Industrial Motors

Severe Duty Motors

Large AC Motors

Washdown Duty Motors

Explosion Proof Motors

Pump Motors

HVAC Motors

Farm Duty Motors

Three Phase, Totally Enclosed, Foot Mounted

Hp	RPM	NEMA Frame	Enclosure	Catalog Number	List Price	Mult. Sym.	"C" Dim.	Aprx. Wt. (lb)	Full Load Efficiency	Voltage	Full Load Amps	Notes (a)
100	3600	405TS	TEFC	EM4402T-4	13,434	L1	35.04	1187	95	460	110	1, 25
	1800	405T	TEFC	EM4400T	12,952	LS	38.45	1203	95.4	230/460	112	1
		405T	TEFC	EM4400T-12	12,954	L1	38.45	1211	95.4	230/460	112	1, 25
		405TS	TEFC	EM4400TS	12,978	L1	35.44	1206	95.4	230/460	112	1
1200	444T	TEFC	EM4409T-4	17,345	L1	44.75	1828	95	460	119	1	
125	3600	444TS	TEFC	EM4412T-4	16,605	L1	40.83	1901	95	460	137	1
		444TS	TEFC	EM4912T-4	16,605	L1	40.98	1539	95	460	137	1, 99
	1800	444T	TEFC	EM4410T-4	16,033	LS	44.75	1969	95.4	460	144	1
		444TS	TEFC	EM4410TS-4	16,066	L1	44.75	2001	95.4	460	144	1
		444TS	TEFC	EM4910TS-4	16,066	L1	40.98	2080	95.4	460	144	1, 99
		444T	TEFC	EM4410TR-4	17,261	L1	44.75	1988	95.4	460	144	1, 5
	1200	445T	TEFC	EM4411T-4	20,405	L1	44.75	2073	95	460	146	1, 25
		445T	TEFC	EM4911T-4	20,405	L1	44.75	1874	95	460	146	1, 99, 25
150	3600	445TS	TEFC	EM4413T-4	19,538	L1	40.83	1995	95	460	164	1
	1800	445T	TEFC	EM4406T-4	18,443	LS	44.75	1826	95.8	460	169	1, 25
		445TS	TEFC	EM4406TS-4	18,481	L1	40.98	2071	95.8	460	169	1
		445T	TEFC	EM4906T-4	18,443	LS	44.75	2169	95.8	460	169	1, 25, 99
		445T	TEFC	EM4406TR-4	19,708	L1	44.75	1826	95.8	460	169	1, 5
	1200	447T	TEFC	EM44156T-4	23,372	L1	48.24	2571	95.8	460	170	1, 25
		447T	TEFC	EM49156T-4	23,372	L1	48.24	2000	95.8	460	170	1, 99, 25
	200	3600	447TS	TEFC	EM4416T-4	23,416	L1	44.48	2355	95.4	460	213
447TS			TEFC	EM4916T-4	23,416	L1	44.48	2330	95.4	460	213	1, 99
1800		447T	TEFC	EM4407T-4	23,119	L1	48.24	2497	96.2	460	223	1
		447T	TEFC	EM4407T-4E	23,119	L1	48.4	2308	96.2	460	221	1, 56
		447TS	TEFC	EM4407TS-4	23,119	L1	44.48	2487	96.2	460	223	1
		447T	TEFC	EM4907T-4	23,119	L1	48.24	2517	96.2	460	223	1, 99
1200		447T	TEFC	EM4407TR-4	23,184	L1	48.24	2531	96.2	460	223	1, 5
		449T	TEFC	EM44206T-4	28,836	L1	53.24	3017	95.8	460	225	1
250	3600	449TS	TEFC	M44252T-4	31,880	L1	49.48	2569	95.4	460	266	1
		447T	TEFC	M4408T-4	26,362	L1	48.24	2477	95	460	286	1, 25
	1800	447T	TEFC	M4408T-4E	26,362	L1	48.4	2240	95.4	460	278	1, 25, 56
		447T	TEFC	M4408TR-4	26,362	L1	48.24	2510	95	460	286	1, 5, 64
		447TS	TEFC	M4408TS-4	26,362	L1	44.48	2449	95	460	286	1, 25
		447T	TEFC	M4908T-4	26,362	L1	48.24	2545	95	460	286	1, 25, 99
	1200	447T	TEFC	M4908TR-4	26,362	L1	48.24	2510	95	460	286	1, 5, 64, 99
		447TS	TEFC	M4908TS-4	26,362	L1	44.48	2500	95	460	286	1, 25, 99
300	3600	449TS	TEFC	M44302T-4	48,699	L1	49.48	2743	95.4	460	324	1
		449TS	TEFC	M49302T-4	48,699	L1	49.48	2798	95.4	460	324	1, 99
	1800	449T	TEFC	M44304T-4	39,242	L1	53.24	2863	95.4	460	336	1, 25
		449TS	TEFC	M44304TS-4	39,242	L1	49.48	2838	95.4	460	336	1, 25
350	1200	449T	TEFC	M44306T-4	46,794	L1	53.24	2826	95	460	350	1
		449TS	TEFC	M44352T-4	56,256	L1	49.48	2922	95.4	460	370	1, 25
	1800	449T	TEFC	M44354T-4	43,600	L1	53.24	2995	95.4	460	392	1, 25
		449TS	TEFC	M44354TS-4	43,600	L1	49.48	3130	95.4	460	392	1, 25
400	3600	449T	TEFC	M49354T-4	43,600	L1	53.24	3026	95.4	460	392	1, 25, 99
		449TS	TEFC	M49354TS-4	43,600	L1	49.48	3130	95.4	460	392	1, 25, 99
	1800	449TS	TEFC	M44402T-4	68,390	L1	49.48	2994	95.4	460	423	1, 25
		449T	TEFC	M44404T-4	57,021	L1	53.24	3041	95.4	460	448	1, 25

(a) See notes on inside back flap.

■ Cast Iron Frame

Red Catalog Number indicates **NEW** Product.

Custom TEFC motors available through 2,250 Hp; Open and WPII custom motors through 15,000 Hp. Contact your Baldor•Reliance Sales Representative.

For Super-E® designs larger than 200 Hp, please see Severe Duty ratings on page 34 or contact your local Baldor sales office for a custom design.

Three Phase,
Totally Enclosed,
C-Face,
Foot Mounted



1/4 thru 100 Hp

NEMA 56C thru 405TC

Applications: Pumps, fans, conveyors, machine tools, gear reducers and other applications requiring a NEMA C-face motor.

Features: Super-E® motors have NEMA Premium® efficiency and 3 year warranty.

Hp	RPM	NEMA Frame	Enclosure	Catalog Number	List Price	Mult. Sym.	"C" Dim.	Aprx. Wt. (lb)	Full Load Efficiency	Voltage	Full Load Amps	Notes (a)	
1/4	1800	56C	TENV	CNM3454/35	524	K	11.06	31	80	230/460	0.4	1, 30, 48	
	1200	56C	TENV	CNM3531	666	K	11.06	31	68	208-230/460	0.5	13	
1/3	3600	56C	TENV	CNM3457	385	K	10.25	21	72	208-230/460	0.7		
	1800	56C	TEFC	CM3534	377	LS	11.35	21	68	230/460	0.8	13, 30	
1/2	3600	56C	TEFC	CM3537	392	K	11.35	20	68	230/460	1	12, 30	
		56C	TEFC	CM3538	417	LS	11.35	23	74	230/460	1	12, 30	
	1800	56C	TENV	CNM3538/35	536	K	11.06	28	80	230/460	0.8	1, 30, 48	
		56C	TEFC	CM3539	612	K	11.35	23	72	230/460	1.2	12, 30	
	1200	56C	TENV	CNM3539	654	K	12.07	40	78.5	230/460	1	30	
		56C	TEFC	CM3541	428	K	11.35	22	74	230/460	1.3	12, 30	
3/4	3600	56C	TEFC	CM3542	443	LS	11.35	26	75.5	208-230/460	1.5	12	
		56C	TENV	CNM3542	481	K	11.07	31	78.5	230/460	1.4	30	
	1200	56C	TEFC	CM3543	624	K	12.85	33	77	208-230/460	1.5		
1	3600	56C	TEFC	CEM3545	667	K	12.25	33	77	230/460	1.4	1, 12, 30	
		56C	TEFC	CM3545	498	K	11.35	24	75.5	230/460	1.8	12, 30	
	1800	56C	TEFC	CEM3546	672	K	12.23	36	85.5	208-230/460	1.5	1	
		56C	TEFC	CM3546	476	K	12.00	31	78.5	208-230/460	1.7		
		56C	TENV	CNM3546	549	K	12.06	40	85.5	208-230/460	1.5		
		143TC	TEFC	CEM3546T	741	LS	13.29	36	85.5	208-230/460	1.5	1	
	1200	143TC	TEFC	CEM3581T	972	L1	13.03	54	85.5	208-230/460	1.5	1	
		56C	TEFC	CM3556	634	K	12.23	35	78.5	208-230/460	1.9		
	1 1/2	3600	143TC	TEFC	CEM3556T	925	L1	13.29	43	82.5	208-230/460	1.8	1
			56C	TEFC	CM3550	706	K	13.25	37	84	208-230/460	1.9	
56C			TEFC	CM3550	541	K	12.35	30	80	208-230/460	2.3		
143TC			TEFC	CEM3550T	763	L1	13.29	40	84	208-230/460	1.9	1	
1800		143TC	TEFC	CEM3583T	1,073	L1	13.03	55	84	208-230/460	1.9	1	
		56C	TEFC	CEM3554	742	K	13.23	45	86.5	208-230/460	2.2	1	
		56C	TEFC	CM3554	518	K	12.23	35	81.5	208-230/460	2.3		
		145TC	TEFC	CEM3554T	769	LS	13.29	42	86.5	208-230/460	2.2	1	
1200		145TC	TEFC	CEM3584T	1,005	L1	13.03	60	86.5	208-230/460	2.3	1	
		56C	TEFC	CM3557	723	K	14.10	46	80	208-230/460	2.5	2, 20	
2	3600	182TC	TEFC	CEM3607T	1,072	L1	16.55	77	87.5	208-230/460	2.4	1	
		56C	TEFC	CM3555	773	K	13.25	46	85.5	208-230/460	2.5	1	
		56C	TEFC	CM3555	605	K	12.85	33	80	208-230/460	2.9		
		56C	TEFC	CM3555/35	679	K	13.25	43	84	208-230/460	2.6	1, 48	
	1800	145TC	TEFC	CEM3555T	831	L1	13.29	44	85.5	208-230/460	2.5	1	
		145TC	TEFC	CEM3586T	1,076	L1	13.03	60	85.5	208-230/460	2.5	1	
		56C	TEFC	CEM3558	784	K	14.10	46	86.5	208-230/460	2.9	1	
		56C	TEFC	CM3558	555	K	13.23	40	82.5	208-230/460	3		
	1200	145TC	TEFC	CEM3558T	796	LS	14.17	46	86.5	208-230/460	2.9	1	
		145TC	TEFC	CEM3587T	1,052	L1	13.03	62	86.5	208-230/460	2.9	1	
184TC	TEFC	CEM3614T	1,106	L1	18.05	97	88.5	208-230/460	3.5	1			
	TEFC	CEM3664T	1,335	L1	16.00	115	88.5	208-230/460	3.2	1			

(a) See notes on inside back flap.

■ Cast Iron Frame

General Information

Single Phase Motors

General Purpose Industrial Motors

Severe Duty Motors

Large AC Motors

Washdown Duty Motors

Explosion Proof Motors

Pump Motors

HVAC Motors

Farm Duty Motors

General Purpose Industrial Motors

Three Phase, Totally Enclosed, C-Face, Foot Mounted

Hp	RPM	NEMA Frame	Enclosure	Catalog Number	List Price	Mult. Sym.	"C" Dim.	Aprx. Wt. (lb)	Full Load Efficiency	Voltage	Full Load Amps	Notes (a)
3	3600	56C	TEFC	CM3559	699	K	13.25	45	82.5	208-230/460	3.8	1
		145TC	TEFC	CEM3559T	927	L1	14.17	52	86.5	208-230/460	3.6	1
		182TC	TEFC	CEM3610T	954	L1	15.18	50	86.5	208-230/460	3.6	1
		182TC	TEFC	CEM3660T	1,196	L1	16.00	90	86.5	208-230/460	3.8	1
	1800	182TC	TEFC	CEM3611T	912	LS	16.55	75	89.5	208-230/460	4.2	1
		182TC	TEFC	CEM3661T	1,226	L1	16.00	104	89.5	208-230/460	4.1	1
	1200	213TC	TEFC	CEM3704T	1,484	L1	19.76	141	89.5	208-230/460	4.6	1
		213TC	TEFC	CEM3764T	1,736	L1	19.20	173	89.5	208-230/460	4.5	1
5	3600	184TC	TEFC	CEM3613T	1,051	L1	16.55	78	88.5	230/460	5.9	1
		184TC	TEFC	CEM3663T	1,450	L1	16.00	91	88.5	208-230/460	6.3	1
	1800	184TC	TEFC	CEM3615T	991	LS	18.05	93	89.5	208-230/460	6.7	1
		184TC	TEFC	CEM3665T	1,252	L1	16.00	114	89.5	208-230/460	6.6	1
	1200	215TC	TEFC	CEM3708T	1,648	L1	20.51	161	89.5	208-230/460	7.3	1
		215TC	TEFC	CEM3768T	1,983	L1	19.20	190	89.5	208-230/460	7.4	1
7 1/2	3600	184TC	TEFC	CEM3616T	1,361	L1	18.05	101	89.5	208-230/460	8.4	1
		213TC	TEFC	CEM3709T	1,604	L1	18.63	120	89.5	208-230/460	9	1, 30
		213TC	TEFC	CEM3769T	1,759	L1	19.20	155	89.5	208-230/460	9	1, 30
	1800	213TC	TEFC	CEM3710T	1,460	LS	19.76	134	91.7	208-230/460	9.4	1
		213TC	TEFC	CEM3770T	1,703	L1	19.20	170	91.7	230/460	9.5	1, 30
		215TC	TEFC	CEM3711T	1,620	L1	18.63	121	90.2	208-230/460	11.8	1
10	3600	215TC	TEFC	CEM3771T	2,028	L1	19.20	182	90.2	230/460	11.8	1, 30
		215TC	TEFC	CEM3714T	1,629	LS	21.26	165	91.7	208-230/460	12	1
	1800	215TC	TEFC	CEM3774T	1,886	L1	19.20	195	91.7	230/460	12.2	1, 30
		215TC	TEFC	CEM3713T	2,229	L1	21.26	182	91	208-230/460	17	1
15	254TC	TEFC	CEM2394T	3,119	L1	23.78	250	92.4	230/460	17.5	1, 30	
	1800	254TC	TEFC	CEM2333T	3,239	LS	23.78	269	92.4	230/460	18.1	1, 30
20	3600	256TC	TEFC	CEM4106T	3,365	L1	23.78	265	91	230/460	23	1, 30
	1800	256TC	TEFC	CEM2334T	3,409	L1	23.78	298	93	230/460	24	1, 30
25	3600	284TSC	TEFC	CEM4107T	4,441	L1	24.71	346	91.7	230/460	27	1, 30
	1800	284TC	TEFC	CEM4103T	4,508	L1	27.76	463	93.6	230/460	30	1, 30
30	3600	284TSC	TEFC	CEM4108T	4,955	L1	26.39	389	91.7	208-230/460	33	1
	1800	286TC	TEFC	CEM4104T	5,194	L1	27.76	422	93.6	230/460	38	1, 30
40	3600	324TSC	TEFC	CEM4109T	6,763	L1	28.78	600	92.4	230/460	46	1, 30
	1800	324TC	TEFC	CEM4110T	6,619	L1	30.28	578	94.1	230/460	48	1, 30
50	3600	326TSC	TEFC	CEM4114T	7,314	L1	28.78	591	93	230/460	56	1, 30
	1800	326TC	TEFC	CEM4115T	7,148	L1	30.28	630	94.5	230/460	58	1, 30
60	3600	364TSC	TEFC	CEM4310T	9,998	L1	31.31	830	93.6	230/460	67.3	1
	1800	364TC	TEFC	CEM4314T	9,966	L1	33.44	915	95	230/460	68	1, 30
75	3600	365TSC	TEFC	CEM4313T	11,472	L1	31.31	905	93.6	230/460	83.4	1
	1800	365TC	TEFC	CEM4316T	11,485	L1	33.44	907	95.4	230/460	84.9	1, 30
100	1800	405TC	TEFC	CEM4400T	14,192	L1	38.32	1360	95.4	230/460	112	1, 30

(a) See notes on inside back flap.

Custom TEFC motors available through 2,250 Hp; Open and WPIL custom motors through 15,000 Hp. Contact your Baldor•Reliance Sales Representative.

■ Cast Iron Frame

General Information

Single Phase Motors

General Purpose Industrial Motors

Severe Duty Motors

Large AC Motors

Washdown Duty Motors

Explosion Proof Motors

Pump Motors

HVAC Motors

Farm Duty Motors

Three Phase, Totally Enclosed, C-Face, Footless

1/4 thru 30 Hp

NEMA 56C thru 286TC

Applications: Pumps, fans, conveyors, machine tools, gear reducers and other applications requiring a NEMA C-face motor.



Features: Ball bearings with a locked drive end bearing and heavy-gauge steel or cast iron frame. Super-E[®] motors have NEMA Premium[®] efficiency and 3 year warranty.

Hp	RPM	NEMA Frame	Enclosure	Catalog Number	List Price	Mult. Sym.	"C" Dim.	Aprx. Wt. (lb)	Full Load Efficiency	Voltage	Full Load Amps	Notes (a)
1/4	1800	56C	TENV	KENM3454	513	K	11.06	26	80	230/460	0.4	30
		56C	TEFC	KM3454	329	K	11.35	19	64	230/460	0.65	12, 30
		56C	TENV	KNM3454	348	K	10.25	18	64	208-230/460	0.65	2, 20
1/3	1200	56C	TEFC	VM3531	503	K	11.35	20	68	230/460	0.7	13, 30
		56C	TENV	KM3457	336	K	10.25	20	72	230/460	0.7	13, 30
		56C	TENV	KNM3457/35	541	K	11.07	29	78.5	230/460	0.5	1, 13, 30, 48
1/3	1800	56C	TENV	KENM3534	566	K	11.06	33	80	230/460	0.55	1, 30, 48
		56C	TENV	KNM3534	385	K	10.25	23	70	208-230/460	0.7	2
		56C	TEFC	VM3534	356	LS	11.35	21	68	230/460	0.8	13, 30
	1200	56C	TENV	KENM3535	832	K	11.07	35	81.5	230/460	0.6	1, 30, 48
		56C	TEFC	VM3535	565	K	11.35	22	70	230/460	0.9	13, 30
		56C	TEFC	VM3537	386	K	11.35	20	68	230/460	1	12, 30
1/2	3600	56C	TENV	VNM3537	543	K	11.07	32	77	230/460	0.8	1, 12, 48
		56C	TEFC	VM3537	386	K	11.35	20	68	230/460	1	12, 30
		56C	TEFC	VEM3538	695	LS	12.23	31	82.5	230/460	0.77	1, 12, 30, 48
	1800	56C	TENV	VENM3538	641	K	11.06	32	84	230/460	0.9	30
		56C	TEFC	VM3538	408	LS	11.35	23	74	230/460	1	12, 30
		56C	TENV	VNM3538	444	K	10.25	22	74	208-230/460	1	2, 20
1200	56C	TEFC	VM3539	606	K	11.35	24	72	230/460	1.2	12, 30	
	56C	TEFC	VM3541	422	K	11.35	21	74	230/460	1.3	12, 30	
	56C	TENV	VNM3541	580	K	11.07	36	84	208-230/460	1	12, 48	
3/4	1800	56C	TEFC	VEM3542	738	LS	12.23	35	84	230/460	1.14	1, 12
		56C	TENV	VENM3542	700	L1	11.07	33	84	230/460	1.14	1, 30, 48
		56C	TEFC	VM3542	434	LS	11.35	26	75.5	208-230/460	1.5	12
	1200	56C	TENV	VNM3542	450	K	11.75	31	75	230/460	1.3	12, 30
		56C	TEFC	VM3543	620	K	12.85	32	77	208-230/460	1.5	
		143TC	TEFC	VM3543T	620	L1	13.41	33	77	208-230/460	1.5	
1	3600	56C	TEFC	VEM3545	663	K	12.24	32	77	230/460	1.4	1, 12, 30
		56C	TEFC	VM3545	494	K	11.35	23	75.5	230/460	1.8	12, 30
		56C	TEFC	VEM3546	760	LS	12.23	36	85.5	208-230/460	1.5	1
	1800	56C	TEFC	VEM3581	968	K	12.47	52	85.5	208-230/460	1.5	1
		56C	TEFC	VM3546	453	LS	12.00	31	78.5	208-230/460	1.7	
		56C	TENV	VNM3546	531	K	12.06	40	85.5	208-230/460	1.45	1, 48
		143TC	TEFC	VEM3546T	775	LS	12.29	36	85.5	208-230/460	1.5	1
		143TC	TEFC	VEM3581T	968	L1	13.03	54	85.5	208-230/460	1.5	1
		143TC	TENV	VENM3546T	706	L1	12.12	40	85.5	208-230/460	1.45	1, 48
	1200	143TC	TENV	VENM3581T	1,011	L1	11.36	56	85.5	208-230/460	1.45	1, 48
		143TC	TEFC	VM3546T	551	LS	12.29	34	82.5	208-230/460	1.56	
		56C	TEFC	VEM3556	861	K	13.23	43	82.5	208-230/460	1.8	1
1 1/2	3600	56C	TEFC	VM3556	632	K	12.23	36	78.5	208-230/460	1.9	
		145TC	TEFC	VM3556T	742	L1	13.39	41	80	208-230/460	1.82	
		56C	TEFC	VEM3550	699	K	12.24	35	84	208-230/460	1.9	1
	1800	56C	TEFC	VM3550	537	K	11.97	30	80	208-230/460	2.3	
		143TC	TEFC	VM3550T	623	L1	12.29	37	82.5	208-230/460	2.1	
		56C	TEFC	VEM3554	845	LS	13.23	42	86.5	208-230/460	2.2	1
		56C	TEFC	VM3554	509	LS	12.23	36	81.5	208-230/460	2.3	
		145TC	TEFC	VEM3554T	809	LS	13.29	41	86.5	208-230/460	2.2	1
		145TC	TEFC	VEM3584T	970	L1	13.03	60	86.5	208-230/460	2.3	1
1200	145TC	TEFC	VM3554T	561	LS	13.29	38	84	208-230/460	2.4		
	56C	TEFC	VM3557	722	K	14.10	48	80	208-230/460	2.45	2, 20	
	145TC	TEFC	VM3557T	775	L1	15.56	63	85.5	208-230/460	2.7	2, 20	

(a) See notes on inside back flap.

■ Cast Iron Frame

Three Phase, Totally Enclosed, C-Face, Footless

Hp	RPM	NEMA Frame	Enclosure	Catalog Number	List Price	Mult. Sym.	"C" Dim.	Aprx. Wt. (lb)	Full Load Efficiency	Voltage	Full Load Amps	Notes (a)
2	3600	56C	TEFC	VEM3555	767	K	13.24	43	85.5	208-230/460	2.5	1
		56C	TEFC	VM3555	598	K	12.85	33	80	208-230/460	2.9	
		143TC	TEFC	VM3555T	710	L1	13.29	43	84	208-230/460	2.6	
	1800	56C	TEFC	VEM3558	891	LS	13.23	46	86.5	208-230/460	2.9	1
		56C	TEFC	VM3558	546	LS	13.23	41	82.5	208-230/460	3	
		145TC	TEFC	VEM3558T	832	LS	13.29	47	86.5	208-230/460	2.9	1
		145TC	TEFC	VEM3587T	1,045	L1	13.03	59	86.5	208-230/460	2.9	1
		145TC	TEFC	VM3558T	589	LS	13.29	41	84	208-230/460	3.1	
1200	184TC	TEFC	VM3614T	938	L1	16.55	75	86.5	208-230/460	3.4		
	184TC	TEFC	VM3664T	1,213	L1	15.98	100	86.5	208-230/460	3.3	1	
3	3600	56C	TEFC	VM3559	693	K	13.23	46	82.5	208-230/460	3.8	1
		145TC	TEFC	VM3559T	810	L1	14.17	48	85.5	208-230/460	3.7	1
		182TC	TEFC	VEM3610T	938	L1	15.18	50	86.5	208-230/460	3.6	1
		182TC	TEFC	VM3610T	887	L1	15.18	53	85.5	208-230/460	3.7	1
	1800	56C	TEFC	VM3561	726	K	14.10	51	85.5	208-230/460	4.1	1
		145TC	TEFC	VM3561T	784	L1	15.56	60	87.5	208-230/460	4.2	1
		182TC	TEFC	VEM3611T	958	LS	16.55	73	89.5	208-230/460	4.2	1
		182TC	TEFC	VEM3661T	1,209	L1	16.00	98	89.5	208-230/460	4.1	1
		182TC	TEFC	VM3611T	711	LS	16.55	63	87.5	208-230/460	4.2	1
	1200	182TC	TEFC	VM3661T	1,146	L1	15.98	96	87.5	208-230/460	4.4	1
		213TC	TEFC	VM3704T	1,230	L1	18.63	109	87.5	208-230/460	4.6	1
		184TC	TEFC	VEM3613T	1,035	L1	16.55	75	88.5	230/460	5.9	1
5	3600	184TC	TEFC	VM3613T	1,010	L1	16.55	70	87.5	208-230/460	5.8	1
		184TC	TEFC	VM3663T	1,389	L1	15.99	90	87.5	208-230/460	5.9	1
		184TC	TEFC	VEM3615T	1,051	LS	18.05	88	89.5	208-230/460	6.7	1
	1800	184TC	TEFC	VEM3665T	1,237	L1	16.00	109	89.5	208-230/460	6.6	1
		184TC	TEFC	VM3615T	814	LS	16.55	77	87.5	208-230/460	6.8	1
		184TC	TEFC	VM3665T	1,163	L1	15.98	100	87.5	208-230/460	6.9	1
		1200	215TC	TEFC	VM3708T	1,455	L1	19.76	129	87.5	208-230/460	7.5
7 1/2	3600	184TC	TEFC	VM3616T	1,215	L1	18.05	88	88.5	208-230/460	8.7	2, 20
		213TC	TEFC	VM3709T	1,527	L1	18.56	93	88.5	208-230/460	8.7	1
	1800	213TC	TEFC	VEM3710T	1,438	L1	19.76	129	91.7	208-230/460	9.4	1
		213TC	TEFC	VEM3770T	1,680	L1	19.20	170	91.7	230/460	9.5	1, 30
		213TC	TEFC	VM3710T	1,086	LS	18.63	114	89.5	208-230/460	10.1	1
		213TC	TEFC	VM3770T	1,609	L1	19.25	164	89.5	208-230/460	10.3	1
		1200	256TC	TEFC	VM2332T	2,685	L1	23.80	283	89.5	230/460	14.4
10	3600	215TC	TEFC	VM3711T	1,588	L1	18.63	114	89.5	208-230/460	12	1
		215TC	TEFC	VEM3714T	1,607	L1	21.26	165	91.7	208-230/460	12	1
	1800	215TC	TEFC	VEM3774T	1,864	L1	19.20	197	91.7	230/460	12.2	1, 30
		215TC	TEFC	VM3714T	1,293	LS	19.76	131	89.5	208-230/460	13.5	1, 20
1200	215TC	TEFC	VM3774T	1,717	L1	19.25	169	89.5	208-230/460	13	1	
	256TC	TEFC	VM2332T	2,685	L1	23.80	283	89.5	230/460	14.4	1, 30	
15	3600	215TC	TEFC	VM3713T	1,983	L1	20.51	160	90.2	208-230/460	17.3	2, 20
		254TC	TEFC	VM2394T	2,779	L1	20.32	225	90.2	208-230/460	17.2	1
20	1800	254TC	TEFC	VM2333T	2,515	LS	23.32	236	91	208-230/460	18.5	1
		3600	256TC	TEFC	VM4106T	3,009	L1	23.32	255	90.2	208-230/460	23
25	1800	256TC	TEFC	VM2334T	2,944	LS	23.32	240	91	230/460	25	1, 30
		3600	284TSC	TEFC	VM4107T	3,862	L1	22.40	300	91	230/460	28
30	1800	284TC	TEFC	VM4103T	3,693	LS	23.65	322	92.4	230/460	30	1, 30
		3600	286TSC	TEFC	VM4108T	4,139	L1	22.40	313	91	208-230/460	34
30	1800	286TC	TEFC	VM4104T	3,765	LS	27.76	418	92.4	230/460	37	1, 30

(a) See notes on inside back flap.

■ Cast Iron Frame

General Information

Single Phase Motors

General Purpose Industrial Motors

Severe Duty Motors

Large AC Motors

Washdown Duty Motors

Explosion Proof Motors

Pump Motors

HVAC Motors

Farm Duty Motors

NEW! General Purpose Industrial Motors

Small Motor Rule, Three Phase, Open Drip Proof, Foot Mounted

1/4 thru 3 Hp

NEMA 48 thru 56H

Applications: Pumps, compressors, fans, conveyors, machine tools and other general purpose three phase applications.

Features: Compliant with DOE Small Motor Rule 2010. These Super-E® motors comply with DOE Average Efficiency and have a 3 year warranty.

Note: Required for compliance after March 9, 2015.



Hp	RPM	NEMA Frame	Catalog Number	List Price	Mult. Sym.	"C" Dim.	Aprx. Wt. (lb)	Full Load Efficiency	Voltage	Full Load Amps	Notes (a)
1/4	1800	48	EM30003	427	K	9.62	21	69.5	230/460	0.5	30
	1200	56	EM31101	472	K	10.25	24	67.5	230/460	0.7	30
1/3	3600	48	EM30006	448	K	9.62	22	69.5	230/460	0.6	30
	1800	56	EM31104	451	K	10.25	24	73.4	230/460	0.7	30
	1200	56	EM31105	494	K	10.88	27	71.4	230/460	0.9	30
1/2	3600	48	EM30009	482	K	9.62	24	73.4	230/460	0.8	30
		56	EM31107	482	K	10.25	24	73.4	230/460	0.8	30
	1800	48	EM30010	497	K	11.12	31	78.2	230/460	0.8	30
		56	EM31108	497	K	11.75	31	78.2	230/460	0.8	30
		56	EM31109	543	K	11.75	34	75.3	230/460	1	30
3/4	3600	56	EM31111	480	K	10.25	24	76.8	230/460	1.2	30
	1800	56	EM31112	547	K	11.07	35	81.5	230/460	1	
	1200	56	EM31153	668	K	12.07	39	81.7	230/460	1.3	
1	3600	56	EM31115	492	K	10.88	27	77	230/460	1.6	1
	1800	56	EM31116	576	K	11.07	37	83.5	230/460	1.45	
	1200	56H	EM31156	842	K	11.75	41	82.5	230/460	1.8	36
1 1/2	3600	56	EM31120	508	K	11.07	34	84	230/460	2	
	1800	56	EM31154	631	K	12.07	41	86.5	230/460	2.2	
	1200	56/56H	EM31159	810	K	14.00	54	84	230/460	2.6	36
2	3600	56	EM31155	572	K	12.07	43	85.5	230/460	2.6	
	1800	56H	EM31157	662	K	11.75	45	86.5	230/460	2.9	36
3	3600	56/56H	EM31158	641	K	12.63	50	85.5	230-460	3.7	36

(a) See notes on inside back flap.

General Information

Single Phase Motors

General Purpose Industrial Motors

Severe Duty Motors

Large AC Motors

Washdown Duty Motors

Explosion Proof Motors

Pump Motors

HVAC Motors

Farm Duty Motors

Three Phase, Open Drip Proof, Foot Mounted

1/4 thru 450 Hp

NEMA 48 thru 449T

Applications: Pumps, compressors, fans, conveyors, machine tools and other general purpose three phase applications.

Features: Copper windings, ball bearings and heavy duty steel or cast iron frames. Super-E® motors have NEMA Premium® efficiency and 3 year warranty.

Note: Non-compliant small motors may not be manufactured after March 9, 2015. Pre-existing inventory may be sold or used. Contact Baldor for new compliant motors.



Hp	RPM	NEMA Frame	Catalog Number	List Price	Mult. Sym.	"C" Dim.	Aprx. Wt. (lb)	Full Load Efficiency	Voltage	Full Load Amps	Notes (a)	
1/4	1800	48	M3003	292	K	9.13	18	64	230/460	0.7	13, 30, 98	
	1200	48	M3004	472	K	9.13	19	68	230/460	0.7	13, 30, 98	
		56	M3101	472	K	9.50	19	68	230/460	0.7	13, 30, 98	
1/3	3600	48	M3006	296	K	9.13	19	72	230/460	0.7	13, 30, 98	
	1800	48	M3007	313	K	9.13	20	68	230/460	0.8	13, 30, 98	
		56	M3104	300	LS	9.50	20	68	230/460	0.8	13, 30, 98	
		48	M3008	462	K	9.13	21	70	230/460	0.9	13, 30, 98	
	1200	56	M3105	494	K	10.25	21	70	230/460	0.9	13, 30, 98	
		48	M3009	313	K	9.13	18	68	230/460	1	12, 30, 98	
1/2	3600	56	M3107	313	K	9.50	19	68	230/460	1	12, 30, 98	
		48	M3010	393	K	9.13	22	74	230/460	1	12, 30, 98	
	1800	56	M3108	341	LS	9.50	22	74	230/460	1	12, 30, 98	
		56	M3108A	464	K	10.25	22	74	230/460	1	12, 30, 96	
		48	M3011	511	K	9.38	23	72	230/460	1.2	12, 30, 98	
	1200	56	M3109	543	K	11.25	22	72	230/460	1.2	12, 30, 98	
		900	56	M3160	825	K	12.07	38	70	208-230/460	1.3	
	3/4	3600	48	M3012	376	K	9.13	20	74	230/460	1.3	12, 30, 98
			56	M3111	368	K	9.50	20	74	230/460	1.3	12, 30, 98
1800		48	M3013	437	K	9.75	25	75.5	208-230/460	1.5	12, 98	
		56	M3112	381	LS	10.12	26	75.5	208-230/460	1.5	12, 98	
		56	M3112A	507	K	11.25	26	74	230/460	1.5	12, 30, 96	
1200		56	M3153	586	K	12.25	31	77	208-230/460	1.5	98	
		143T	M3153T	586	L1	12.32	33	77	208-230/460	1.5		
1		3600	56	EM3115	548	K	11.06	28	80	208-230/460	1.5	1, 12
	56		M3115	426	K	9.50	23	75.5	230/460	1.8	12, 30, 98	
	1800	56	M3116	429	LS	11.75	28	78.5	208-230/460	1.7	98	
		56	M3116A	564	K	11.75	28	78.5	208-230/460	2	96	
		143T	EM3116T	711	LS	11.12	34	85.5	208-230/460	1.5	1	
	1200	56/56H	M3156	623	K	11.75	36	77	208-230/460	1.7	36, 98	
		145T	EM3156T	727	L1	11.62	36	82.5	208-230/460	1.8	1	
	900	182T	M3216T	1,036	L1	13.62	60	74	208-230/460	2.2	30	
	1 1/2	3600	56	M3120	476	K	11.00	29	80	208-230/460	2.3	98
			143T	EM3120T	612	L1	11.12	33	84	208-230/460	2	1
1800		56	M3154	496	LS	12.25	34	77	208-230/460	2.8	98	
		56	M3154A	563	K	11.07	34	81.5	208-230/460	2.3	98	
		145T	EM3154T	743	LS	11.62	37	86.5	230/460	2.2	1, 30	
1200		56/56H	M3159	708	K	11.75	41	75.5	230/460	2.5	36, 98	
		182T	EM3207T	851	L1	15.00	66	86.5	208-230/460	2.5	1	
900		184T	M3220T	1,259	L1	15.00	68	75.5	208-230/460	3	1	
2	3600	56	M3155	555	K	11.00	31	80	208-230/460	2.9	98	
		143T	EM3155T	718	L1	11.62	41	85.5	208-230/460	2.5	1	
	1800	145T	EM3157A	825	L1	12.13	44	86.5	208-230/460	2.9		
		56/56H	M3157	517	LS	11.75	38	80	208-230/460	3.07	36, 98	
		145T	EM3157T	796	LS	12.12	40	86.5	230/460	2.9	1	
	1200	184T	EM3215T	870	L1	16.50	79	87.5	208-230/460	3.4	1	
	900	213T	M3303T	1,554	L1	16.32	112	85.5	208-230/460	3.5		

(a) See notes on inside back flap.

Three Phase, Open Drip Proof, Foot Mounted

Hp	RPM	NEMA Frame	Catalog Number	List Price	Mult. Sym.	"C" Dim.	Aprx. Wt. (lb)	Full Load Efficiency	Voltage	Full Load Amps	Notes (a)
3	3600	56/56H	M3158	572	K	11.75	41	80	208-230/460	4	36, 98
		145T	EM3158T	727	L1	13.00	46	85.5	230/460	3.8	1, 30
	1800	182T	EM3211T	858	LS	15.00	69	89.5	230/460	4.2	1, 30
		182T	EM3211TA	967	L1	15.00	65	89.5	208-230/460	4.4	1
		1200	213T	EM3305T	1,107	L1	16.32	119	88.5	208-230/460	4.5
900	215T	M3306T	1,791	L1	17.45	137	86.5	208-230/460	5.2		
5	3600	182T	EM3212T	794	L1	13.62	61	86.5	208-230/460	6	1
	1800	184T	EM3218T	940	LS	16.50	84	89.5	208-230/460	6.6	1
		184T	EM3218TA	1,023	L1	16.50	84	89.5	208-230/460	6.6	1
	1200	215T	EM3309T	1,451	L1	17.45	139	89.5	208-230/460	7.4	1
900	254T	M2504T	2,503	L1	21.69	220	87.5	230/460	8		
7 1/2	3600	184T	EM3219T	1,259	L1	15.00	74	88.5	208-230/460	8.6	1
	1800	213T	EM3311T	1,381	LS	16.32	115	91	208-230/460	9.7	1
	1200	254T	EM2506T	1,739	L1	23.19	239	90.2	230/460	11	1, 30
	900	256T	M2508T	3,133	L1	23.19	232	88.5	208-230/460	12.7	1
10	3600	213T	EM3312T	1,440	L1	16.32	121	89.5	208-230/460	12	1
	1800	215T	EM3313T	1,672	LS	17.45	128	91.7	230/460	12.5	1, 30
	1200	256T	EM2511T	2,263	L1	23.19	255	91.7	230/460	14.3	1, 30
15	3600	215T	EM3314T	2,045	L1	16.32	124	90.2	230/460	17.5	1, 30
	1800	254T	EM2513T	2,367	LS	21.69	211	93	230/460	17.7	1, 30
		254T	EM2513T-CI	2,253	L1	20.63	238	93	230/460	17.8	1, 30
	1200	284T	EM2524T	3,051	L1	23.81	278	91.7	230/460	20.5	1, 30
20	3600	254T	EM2514T	2,402	L1	21.69	191	91	230/460	23.5	1, 30
	1800	256T	EM2515T	2,597	L1	21.69	225	93	230/460	23.5	1, 30
		256T	EM2515T-12	2,647	L1	21.69	225	93	230/460	23.5	1, 25, 30
		256T	EM2515T-CI	2,831	L1	22.38	281	93	230/460	24	1, 30
	1200	286T	EM2528T	3,713	L1	23.81	302	92.4	230/460	27	1, 30
25	3600	256T	EM2516T	2,884	L1	21.69	222	91.7	230/460	28	1, 30
	1800	284T	EM2531T	3,166	L1	25.06	327	93.6	230/460	30	1, 30
		284T	EM2531T-12	3,227	L1	25.06	307	93.6	230/460	30	1, 25, 30
		284T	EM2531T-CI	3,451	L1	23.44	382	93.6	230/460	31	1, 30
1200	324T	EM2532T	4,485	L1	27.69	411	93	208-230/460	34	1	
30	3600	284TS	EM2534T	3,404	L1	22.44	308	91.7	208-230/460	35	1
	1800	286T	EM2535T	3,462	L1	25.06	336	94.1	230/460	35	1, 30
		286T	EM2535T-12	3,532	L1	25.06	339	94.1	230/460	35	1, 25, 30
		286T	EM2535T-CI	3,773	L1	24.94	340	94.1	230/460	35	1, 30
	1200	326T	EM2536T	4,678	L1	28.69	463	93.6	230/460	38	1, 30
40	3600	286TS	EM2538T	4,385	L1	22.44	329	92.4	208-230/460	46	1
		286TS	EM2538T-CI	4,780	L1	23.57	402	92.4	208-230/460	46	1
	1800	324T	EM2539T	4,516	L1	27.19	392	94.1	230/460	49	1, 30
		324T	EM2539T-12	4,606	L1	27.19	397	94.1	230/460	47	1, 25, 30
		324T	EM2539T-CI	4,923	L1	26.13	538	94.1	230/460	46	1, 30
	1200	364T	EM2540T	6,327	L1	29.81	598	94.1	230/460	51	1, 30
		364T	EM2540T-CI	6,664	L1	29.70	801	94.1	230/460	49.4	1, 30
50	3600	324TS	EM2542T	4,776	L1	25.69	394	93	208-230/460	56	1
		324TS	EM2542T-CI	5,416	L1	24.62	548	93	208-230/460	56	1
	1800	326T	EM2543T	4,983	L1	27.69	467	94.5	230/460	57	1, 30
		326T	EM2543T-12	5,089	L1	27.69	468	94.5	230/460	61	1, 25, 30
		326T	EM2543T-CI	5,433	L1	27.63	570	94.5	230/460	57	1
		326TS	EM2543TS-12	5,089	L1	26.19	469	94.5	230/460	61	1, 25, 30
	1200	365T	EM2544T	7,641	L1	33.72	762	94.1	230/460	62	1, 30
		365T	EM2544T-CI	8,068	L1	29.70	722	94.1	230/460	60.3	1
60	3600	326TS	EM2546T	6,043	L1	25.19	458	93.6	230/460	68	1
		1800	364T	EM2547T	6,274	L1	30.69	615	95	230/460	68
	364T		EM2547T-12	6,406	L1	30.69	620	95	230/460	68	1, 25, 30
	364T		EM2547T-CI	6,838	L1	29.70	745	95	230/460	69.5	1
	1200	364TS	EM2547TS-12	6,406	L1	28.56	613	95	230/460	68	1, 25, 30
		404T	EM2548T	9,413	L1	34.47	888	94.5	230/460	76	1
	404T	EM2548T-4CI	10,242	L1	34.00	1009	95	460	70.4	1	

(a) See notes on inside back flap.

■ Cast Iron Frame

General Information

Single Phase Motors

General Purpose Industrial Motors

Severe Duty Motors

Large AC Motors

Washdown Duty Motors

Explosion Proof Motors

Pump Motors

HVAC Motors

Farm Duty Motors

Three Phase, Open Drip Proof, Foot Mounted

Hp	RPM	NEMA Frame	Catalog Number	List Price	Mult. Sym.	"C" Dim.	Aprx. Wt. (lb)	Full Load Efficiency	Voltage	Full Load Amps	Notes (a)
75	3600	364TS	EM2549T	7,926	L1	25.81	502	93.6	230/460	82	1
	1800	365T	EM2551T	7,701	L1	33.72	744	95	230/460	87	1, 30
		365T	EM2551T-12	7,861	L1	33.72	758	95	230/460	85	1, 25
		365T	EM2551T-CI	8,392	L1	29.70	762	95	230/460	86.5	1
		365TS	EM2551TS-12	7,861	L1	31.59	749	95	230/460	85	1, 25
1200	405T	EM2552T-4	11,403	L1	34.00	1067	95	460	86.9	1, 25	
100	3600	365TS	EM2550T	8,473	L1	27.81	562	93.6	230/460	110	1
	1800	404T	EM2555T	8,959	L1	34.47	930	95.4	230/460	118	1
		404T	EM2555T-12	9,139	L1	36.97	946	95.4	230/460	118	1, 25
		404T	EM2555T-4	8,959	L1	36.97	896	95.4	460	115	1, 25
		404T	EM2555T-CI	9,765	L1	34.00	1038	95.4	230/460	115	1
	404TS	EM2555TS-12	9,139	L1	33.97	941	95.4	230/460	118	1, 25	
1200	444T	EM2583T-4	12,551	L1	39.56	1455	95	460	116	1, 25	
125	3600	404TS	EM2554T-4	10,633	L1	31.85	894	94.1	460	143	1, 25
		404TS	EM2554T-4CI	12,687	L1	31.00	997	95	460	143	1
	1800	405T	EM2559T-4	10,991	L1	34.47	955	95.4	460	143	1, 25
		405T	EM2559T-4CI	11,978	L1	34.00	1118	95.4	460	141	1
		405TS	EM2559TS-4	10,991	L1	34.97	1238	95.4	460	143	1, 25
1200	445T	EM2557T-4	13,555	L1	39.71	1513	95	460	146	1, 25	
150	3600	405TS	EM2556T-4	13,117	L1	31.85	980	94.1	460	166	1, 25
	1800	444T	EM2558T-4	12,208	L1	39.71	1528	96.2	460	170	1, 25
		444TS	EM2558TS-4	12,208	L1	35.96	1519	96.2	460	170	1
	1200	445T	EM2560T-4	15,963	L1	39.71	1572	95.4	460	175	1, 25
200	3600	444TS	EM2562T-4	14,864	L1	35.88	1364	95.4	460	221	1, 25
	1800	445T	EM2563T-4	15,256	L1	39.56	1625	95.8	460	222	1, 25
	1200	447T	EM2564T-4	20,984	L1	43.06	1827	95.4	460	232	1, 25
250	3600	445TS	M2565T-4	15,162	L1	35.81	1389	94.5	460	286	1, 25
		447T	EM25254T-4	17,108	L1	43.06	2036	96.2	460	275	1, 25
	1800	445T	M2566T-4	15,095	L1	39.56	1633	95.4	460	274	1, 25
300	3600	445TS	M2568T-4	23,699	L1	35.81	1456	95	460	345	1, 25
		447T	M25694T-4	23,052	L1	43.06	1990	95.4	460	344	1, 25
	1800	449T	EM25694T-4	26,089	L1	48.06	2226	96.2	460	330	1, 25
350	3600	445TS	M2571T-4	27,121	L1	35.81	1565	95	460	398	1, 25
		449TS	M25352T-4	27,121	L1	44.31	2269	96.5	460	367	1, 25, 63
	1800	449T	M2572T-4	26,796	L1	48.06	2332	96.2	460	382	1, 25, 63
400	3600	449TS	M25402T-4	31,819	L1	44.31	2155	96.2	460	431	1, 25, 63
	1800	449T	M25404T-4	29,082	L1	48.06	2413	96.2	460	437	1, 25, 63
450	3600	449TS	M25452T-4	35,038	L1	44.31	2132	96.2	460	494	1, 25, 63
	1800	449T	M25454T-4	32,890	L1	48.06	2479	96.2	460	507	2, 20, 25, 63

(a) See notes on inside back flap.

Custom TEFC motors available through 2,250 Hp; Open and WP11 custom motors through 15,000 Hp. Contact your Baldor•Reliance Sales Representative.

■ Cast Iron Frame

General Information

Single Phase Motors

General Purpose Industrial Motors

Severe Duty Motors

Large AC Motors

Washdown Duty Motors

Explosion Proof Motors

Pump Motors

HVAC Motors

Farm Duty Motors

**Three Phase,
Open Drip Proof,
C-Face,
Foot Mounted**



1/3 thru 100 Hp

NEMA 56C thru 404TC

Applications: Pumps, fans, conveyors, machine tools, gear reducers.

Features: Pressure cast aluminum end plates with ribbed design for rigidity, ball bearings, locked drive end bearing, heavy gauge steel frame. Super-E® motors have NEMA Premium® efficiency and 3 year warranty.

Note: Non-compliant small motors may not be manufactured after March 9, 2015. Pre-existing inventory may be sold or used. Contact Baldor for new compliant motors.

Hp	RPM	NEMA Frame	Catalog Number	List Price	Mult. Sym.	"C" Dim.	Aprx. Wt. (lb)	Full Load Efficiency	Voltage	Full Load Amps	Notes (a)
1/3	1800	56C	CM3104	326	K	10.10	21	68	230/460	0.8	30, 98
	3600	56C	CM3107	340	K	10.10	20	68	230/460	1	30, 98
1/2	1800	56C	CM3108	369	K	10.10	23	74	230/460	1	30, 98
	3600	56C	CM3112	416	K	10.73	27	75.5	208-230/460	1.5	98
3/4	1800	143TC	CEM3116T	667	L1	11.62	35	85.5	208-230/460	1.5	1
1 1/2	1800	145TC	CEM3154T	687	L1	11.62	37	86.5	230/460	2.2	1, 30
	3600	56C	CM3155	603	K	11.60	33	80	208-230/460	2.9	98
2	1800	145TC	CEM3157T	733	L1	12.12	41	86.5	230/460	2.9	1, 30
	3600	145TC	CEM3158T	764	L1	13.00	46	85.5	208-230/460	3.8	1
3	1800	182TC	CEM3211T	866	L1	15.00	71	89.5	230/460	4.2	1, 30
	3600	182TC	CEM3212T	862	L1	13.62	64	86.5	208-230/460	6	1
5	1800	184TC	CEM3218T	909	L1	16.50	87	89.5	208-230/460	6.6	1
	3600	184TC	CEM3219T	1,381	L1	15.00	77	88.5	208-230/460	8.6	1
7 1/2	1800	213TC	CEM3311T	1,367	L1	17.06	118	91	208-230/460	9.7	1
	3600	213TC	CEM3312T	1,595	L1	17.06	121	89.5	208-230/460	12	1
10	1800	215TC	CEM3313T	1,622	L1	18.19	133	91.7	208-230/460	12.5	1
	3600	215TC	CEM3314T	2,199	L1	17.06	128	90.2	230/460	17.5	1, 30
15	1800	254TC	CEM2513T	2,399	L1	21.69	213	93	208-230/460	17.7	1
	3600	254TC	CEM2514T	2,722	L1	21.69	194	91	230/460	23.5	1, 30
20	1800	256TC	CEM2515T	2,921	L1	21.69	231	93	230/460	23.5	1, 30
	3600	256TC	CEM2516T	3,205	L1	21.69	219	91.7	230/460	28	1, 30
25	1800	284TC	CEM2531T	3,742	L1	25.06	336	93.6	230/460	30	1, 30
	3600	286TC	CEM2535T	4,037	L1	25.06	355	94.1	230/460	35	1, 30
30	1800	324TC	CEM2539T	5,318	L1	26.69	460	94.1	230/460	47	1, 30
	3600	326TC	CEM2543T	5,788	L1	27.69	494	94.5	230/460	57	1, 30
40	1800	364TC	CEM2547T	7,198	L1	30.69	632	95	230/460	68	1, 30
50	1800	365TC	CEM2551T	8,625	L1	33.72	771	95	230/460	87	1
60	1800	404TC	CEM2555T	9,982	L1	36.97	945	95.4	230/460	118	1

(a) See notes on inside back flap.

General Information

Single Phase Motors

General Purpose Industrial Motors

Severe Duty Motors

Large AC Motors

Washdown Duty Motors

Explosion Proof Motors

Pump Motors

HVAC Motors

Farm Duty Motors

Three Phase, Open Drip Proof, C-Face, Footless

1/4 thru 30 Hp

NEMA 56C thru 284TC

Applications: Pumps, fans, conveyors, machine tools, gear reducers and other applications requiring a NEMA C-face motor.

Features: Pressure cast aluminum end plates with ribbed design for rigidity. Ball bearings with a locked drive end bearing and heavy-gauge steel frames.

Note: Non-compliant small motors may not be manufactured after March 9, 2015. Pre-existing inventory may be sold or used. Contact Baldor for new compliant motors.



Hp	RPM	NEMA Frame	Catalog Number	List Price	Mult. Sym.	"C" Dim.	Aprx. Wt. (lb)	Full Load Efficiency	Voltage	Full Load Amps	Notes (a)
1/4	1800	56C	KM3003	311	K	11.35	19	64	230/460	0.65	30, 98
	3600	56C	KM3006	318	K	11.22	20	72	230/460	0.7	30, 98
1/3	1800	56C	VM3104	320	LS	11.22	21	68	230/460	0.8	30, 98
	3600	56C	VM3107	335	K	11.22	19	68	230/460	1	30, 98
1/2	1800	56C	VM3108	363	LS	11.22	23	74	230/460	1	30, 98
	1200	56C	VM3109	564	K	12.35	25	72	230/460	1.2	30, 98
	3600	56C	VM3111	471	K	11.22	22	74	230/460	1.3	30, 98
3/4	1800	56C	VM3112	401	LS	11.84	26	75.5	208-230/460	1.5	98
	1200	56C	VM3153	606	K	13.35	32	77	208-230/460	1.5	98
	1200	143TC	VM3153T	606	L1	13.41	32	77	208-230/460	1.5	
1	3600	56C	VM3115	446	K	11.22	24	75.5	230/460	1.8	30, 98
	1800	56C	VM3116	450	LS	12.35	29	78.5	208-230/460	1.7	1, 98
	1800	143TC	VM3116T	488	LS	12.30	33	82.5	208-230/460	1.56	1
	1200	145TC	VM3156T	680	L1	13.30	40	80	208-230/460	1.88	
1 1/2	3600	56C	VM3120	496	K	12.72	30	80	208-230/460	2.3	98
	3600	143TC	VM3120T	572	L1	12.25	34	82.5	208-230/460	2	
	1800	56C	VM3154	517	LS	13.22	35	77	208-230/460	2.8	98
	1800	145TC	VM3154T	569	LS	12.30	36	84	208-230/460	2.4	
2	1200	145TC	VM3159T	741	L1	15.55	59	84	208-230/460	2.6	
	3600	56C	VM3155	577	K	13.22	33	80	208-230/460	2.9	98
	3600	143TC	VM3155T	631	L1	13.30	32	84	208-230/460	2.5	
	1800	56C	VM3157	535	LS	13.24	38	80	208-230/460	3.07	98
3	1200	145TC	VM3157T	586	LS	13.30	40	84	208-230/460	3.15	
	1200	184TC	VM3215T	772	L1	16.55	70	85.5	230/460	3.6	30
	3600	56C	VM3158	592	K	13.24	42	80	208-230/460	4	98
	3600	145TC	VM3158T	671	L1	13.30	46	84	208-230/460	3.7	
5	1800	145TC	VM3161T	687	L1	15.55	56	86.5	208-230/460	4.1	1
	1800	182TC	VM3211T	644	L1	16.55	64	86.5	208-230/460	4.1	1
	1200	213TC	VM3305T	981	L1	18.68	99	86.5	208-230/460	4.6	1
	3600	182TC	VM3212T	726	L1	16.55	74	85.5	208-230/460	6.2	
7 1/2	1800	184TC	VM3218T	705	L1	16.55	71	87.5	208-230/460	7.2	
	1200	215TC	VM3309T	1,289	L1	18.68	121	87.5	208-230/460	7.6	
	3600	184TC	VM3219T	891	L1	16.55	70	87.5	208-230/460	8.7	
10	1800	213TC	VM3311T	1,040	L1	18.68	115	88.5	208-230/460	10.1	
	3600	213TC	VM3312T	1,276	L1	18.68	109	88.5	208-230/460	12.4	
15	1800	215TC	VM3313T	1,246	L1	18.68	119	89.5	208-230/460	13.4	
	3600	215TC	VM3314T	1,807	L1	18.68	119	89.5	208-230/460	18	1
20	1800	254TC	VM2513T	1,944	L1	21.17	155	91	208-230/460	19	
	3600	254TC	VM2514T	2,402	L1	20.42	147	90.2	208-230/460	24	1
25	1800	256TC	VM2515T	2,422	L1	23.37	197	91.7	230/460	24	30
	3600	254TC	VM2516T	2,838	LS	22.00	200	91	230/460	29	30
30	1800	284TC	VM2531T	3,087	L1	26.53	267	91.7	230/460	31	30
	3600	284TSC	VM2534T	3,213	L1	24.15	252	91	230/460	34	30

(a) See notes on inside back flap.

F-2 Mount, Three Phase, TEFC and ODP, Foot Mounted

1 thru 100 Hp

NEMA 143T thru 444T

Applications: Pumps, compressors, fans, conveyors, machine tools and other applications requiring three phase F-2 mounted motors.

Features: Copper windings, ball bearings, heavy-gauge steel frame with base seam-welded. Super-E[®] motors have NEMA Premium[®] efficiency and 3 year warranty.



Hp	RPM	NEMA Frame	Catalog Number	List Price	Mult. Sym.	"C" Dim.	Aprx. Wt. (lb)	Full Load Efficiency	Voltage	Full Load Amps	Notes (a)
Totally Enclosed Fan Cooled											
1	1800	143T	EFM3546T	706	L1	12.31	35	85.5	208-230/460	1.5	1
1 1/2	1800	145T	EFM3554T	734	L1	13.31	41	86.5	208-230/460	2.2	1
2	1800	145T	EFM3558T	758	L1	13.31	41	86.5	208-230/460	2.9	1
3	3600	182T	EFM3610T	882	L1	15.14	73	86.5	208-230/460	3.6	1
	1800	182T	EFM3611T	841	L1	16.55	73	89.5	208-230/460	4.2	1
5	3600	184T	EFM3613T	978	L1	16.55	91	88.5	230/460	5.9	1
	1800	184T	EFM3615T	920	L1	18.06	91	89.5	208-230/460	6.7	1
7 1/2	3600	213T	EFM3709T	1,465	L1	17.91	128	89.5	208-230/460	9	1
	1800	213T	EFM3710T	1,331	L1	19.01	128	91.7	208-230/460	9.4	1
10	3600	215T	EFM3711T	1,485	L1	17.91	165	90.2	208-230/460	11.8	1
	1800	215T	EFM3714T	1,495	L1	20.51	165	91.7	208-230/460	12	1
15	3600	254T	EFM2394T	2,520	L1	23.16	256	91	230/460	17.5	1,30
	1800	254T	EFM2333T	2,306	L1	23.16	256	92.4	230/460	18.1	1,30
	1200	284T	EFM4100T	3,880	L1	27.76	391	91.7	230/460	21	1,30
20	1800	256T	EFM2334T	2,794	L1	23.16	276	93	230/460	24	1,30
	1200	286T	EFM4102T	5,166	L1	27.76	420	91.7	208-230/460	27	1
25	1800	284T	EFM4103T	3,652	L1	27.76	394	93.6	230/460	30	1,30
30	1800	286T	EFM4104T	4,337	L1	27.76	437	93.6	230/460	36	1,30
40	1800	324T	EFM4110T	5,673	L1	30.28	572	94.1	230/460	48	1,30
	1200	364T	EFM4308T	8,414	L1	33.44	908	94.1	230/460	49.4	1,30
50	3600	326TS	EFM4114T	6,429	L1	28.78	578	93	208-230/460	56	1
	1800	326T	EFM4115T	6,199	L1	30.28	640	94.5	208-230/460	58	1
	1200	365T	EFM4312T	10,167	L1	33.44	902	94.1	230/460	61.7	1,30
60	1800	364T	EFM4314T	8,919	L1	33.44	800	95	230/460	68	30
	1200	404T	EFM4403T	12,341	L1	38.06	1164	95	230/460	69	1,30
75	1800	365T	EFM4316T	10,429	L1	33.44	840	95.4	230/460	84.9	30
	1200	405T	EFM4404T	14,371	L1	38.06	1217	95	230/460	86.9	1,30
100	1800	405T	EFM4400T	12,952	L1	38.31	1160	95.4	230/460	112	
	1200	444T	EFM4409T-4	17,345	L1	44.75	1625	95	460	119	1
Open Drip Proof											
1	1800	145T	EFM3116T	621	L1	11.12	35	85.5	208-230/460	1.5	1
1 1/2	1800	145T	EFM3154T	649	L1	11.62	38	86.5	230/460	2.2	1
2	1800	145T	EFM3157T	696	L1	12.12	40	86.5	230/460	2.9	1
3	1800	182T	EFM3211T	750	L1	15.00	68	89.5	230/460	4.2	1
5	3600	182T	EFM3212T	794	L1	13.62	84	86.5	208-230/460	6	1
	1800	184T	EFM3218T	822	L1	16.50	84	89.5	208-230/460	6.6	1
7 1/2	3600	184T	EFM3219T	1,259	L1	15.00	114	88.5	208-230/460	8.6	1
	1800	213T	EFM3311T	1,207	L1	16.32	114	91	230/460	9.7	1,30
10	3600	213T	EFM3312T	1,440	L1	16.32	125	89.5	208-230/460	12	1
	1800	215T	EFM3313T	1,461	L1	17.45	125	91.7	230/460	12.5	1,30
15	3600	215T	EFM3314T	2,045	L1	16.32	214	90.2	230/460	17.5	1
	1800	254T	EFM2513T	2,069	L1	21.69	214	93	230/460	17.7	1,30
20	1800	256T	EFM2515T	2,597	L1	21.69	226	93	230/460	23.5	1,30
25	1800	284T	EFM2531T	3,166	L1	25.06	313	93.6	230/460	30	1,30
30	1800	286T	EFM2535T	3,462	L1	25.06	339	94.1	230/460	35	1,30
40	1800	324T	EFM2539T	4,516	L1	27.19	392	94.1	230/460	49	1,30
50	1800	326T	EFM2543T	4,983	L1	27.69	547	94.5	230/460	57	1,30
60	1800	364T	EFM2547T	6,274	L1	30.69	622	95	230/460	68	1,30

(a) See notes on inside back flap. ■ Cast Iron Frame ■ Red Catalog Number indicates **NEW** Product.

**Three Phase,
Totally Enclosed,
460 & 230/460 Volts,
Foot Mounted**

1 thru 800 Hp

NEMA 143T thru 500S

IP55

Applications: Petro-chemical plants, mines, quarries, foundries, pulp and paper plants, waste management facilities, chemical plants, and other processing industry applications requiring protection against corrosion caused by severe environmental operating conditions.

Features (143T-L449T): Totally enclosed cast iron construction, Premium insulation system, Sealed frame fits, Gasketed conduit box, V-Ring shaft slinger, Stainless Steel nameplates, Corrosion resistant epoxy finish and Corrosion resistant hardware. Super-E® severe duty motors have NEMA Premium® efficiency, Class F insulation, 1.15 service factor and 3 year warranty. Positive lubrication system (PLS) on 250 frames and larger. Motors are marked for Division 2/Zone 2, Class I locations. Inverter Ready design with speed range and Inverter T. Code nameplate information, see chart on page 51 for specific motor information.



Features (5010-500S frames): Cast iron frame, end shields and inner caps, carbon steel fan cover and air deflector, ground lug in the conduit box, specially formulated modified epoxy paint with UV protection, stainless steel breather and drain, V-Ring shaft slinger, epoxy coating on the rotor OD, stator ID and windings, oversized main conduit box, 3.5 pu Surge withstand, insulated bearings and provisions for bearing RTD's. Severe duty motors have high efficiency (95% or higher). Stock motors include a 3 year warranty, 100 ohm platinum winding RTD's and space heaters. The "S" shafts are for coupled loads and are not convertible to roller bearings. The "L" shafts are ball bearing and convertible to roller bearing. Belted duty "LR" shafts are roller bearing and convertible to ball bearing. All shafts are Class II material. Motors are marked for Division 2/Zone 2, Class I locations. Inverter Ready design with speed range and Inverter T. Code nameplate information. Please contact Baldor for T. Code and Speed ranges for specific ratings.



Hp	RPM	NEMA Frame	Enclosure	Catalog Number	List Price	Mult. Sym.	"C" Dim.	Aprx. Wt. (lb)	Full Load Efficiency	Voltage	Full Load Amps	Notes (a)
1	3600	143T	TEFC	ECP3580T	1,012	SD	12.95	59	84	208-230/460	1.4	1
		143T	TEFC	ECP3580T-4	1,012	SD	12.95	59	84	460	1.4	1
		143T	TENV	ENCP3580T-4	954	SD	11.38	55	84	460	1.3	1
	1800	143T	TEFC	ECP3581T	1,044	SD	12.95	64	87.5	208-230/460	1.5	1
		143T	TEFC	ECP3581T-4	1,044	SD	12.95	61	87.5	460	1.5	1
		143T	TENV	ENCP3581T-4	1,004	SD	11.36	56	87.5	460	1.5	1
	1200	145T	TEFC	ECP3582T	1,153	SD	12.95	68	82.5	208-230/460	1.7	1
145T		TEFC	ECP3582T-4	1,153	SD	12.95	69	82.5	460	1.7	1	
900	182T	TEFC	ECP3687T-4	1,619	SD	15.93	103	78.5	460	2	1	
1 1/2	3600	143T	TEFC	ECP3583T	1,080	SD	12.95	67	85.5	208-230/460	2	1
		143T	TEFC	ECP3583T-4	1,080	SD	12.95	67	85.5	460	2	1
	1800	145T	TEFC	ECP3584T	1,063	SD	12.95	69	88.5	208-230/460	2.1	1
		145T	TEFC	ECP3584T-4	1,063	SD	12.95	72	88.5	460	2.1	1
	1200	182T	TEFC	ECP3667T	1,349	SD	15.93	108	87.5	208-230/460	2.5	1
		182T	TEFC	ECP3667T-4	1,349	SD	15.93	108	87.5	460	2.5	1
900	184T	TEFC	ECP3668T-4	2,015	SD	15.93	110	80	460	3.2	1	
2	3600	145T	TEFC	ECP3586T	1,130	SD	12.95	74	86.5	208-230/460	2.5	1
		145T	TEFC	ECP3586T-4	1,130	SD	12.95	74	86.5	460	2.5	1
	1800	145T	TEFC	ECP3587T	1,110	SD	12.95	75	88.5	208-230/460	2.8	1
		145T	TEFC	ECP3587T-4	1,110	SD	12.95	73	88.5	460	2.8	1
	1200	184T	TEFC	ECP3664T	1,366	SD	15.93	116	88.5	230/460	3.15	1
		184T	TEFC	ECP3664T-4	1,366	SD	15.93	120	88.5	460	3.2	1
	900	213T	TEFC	ECP3772T-4	2,541	SD	19.50	179	85.5	460	3.8	1

(a) See notes on inside back flap. ■ Cast Iron Frame All ratings are 1.15 service factor at 40°C ambient. All ratings meet the intent of IEEE-45 for weather protection, and are suitable for use in a 50°C ambient with a 1.0 service factor. **FOR OTHER 208-230/460 VOLT REQUIREMENTS, PLEASE SEE DIRTY DUTY MOTORS ON PAGES 48-50.**

Three Phase, Totally Enclosed, 460 & 230/460 Volts, Foot Mounted

Hp	RPM	NEMA Frame	Enclosure	Catalog Number	List Price	Mult. Sym.	"C" Dim.	Aprx. Wt. (lb)	Full Load Efficiency	Voltage	Full Load Amps	Notes (a)
40	3600	324TS	TEFC	ECP4109T	6,859	SD	28.78	552	93.6	230/460	45	1
		324TS	TEFC	ECP4109T-4	6,859	SD	28.78	566	93	460	46	1
	1800	324T	TEFC	ECP4110T	5,984	SD	30.27	618	94.5	230/460	46	1, 30
		324T	TEFC	ECP4110T-4	5,984	SD	30.27	626	94.5	460	46	1
	1200	364T	TEFC	ECP4308T	9,710	SD	33.49	918	94.1	230/460	49.4	1
		364T	TEFC	ECP4308T-4	9,710	SD	33.49	889	94.1	460	49.4	1
900	365T	TEFC	ECP4315T-4	13,513	SD	33.44	900	93	460	52	1	
50	3600	326TS	TEFC	ECP4114T	7,188	SD	28.78	619	93	230/460	56	1, 30
		326TS	TEFC	ECP4114T-4	7,188	SD	28.78	610	94.1	460	56	1
	1800	326T	TEFC	ECP4115T	7,024	SD	30.27	641	94.5	230/460	58	1, 30
		326T	TEFC	ECP4115T-4	7,024	SD	30.27	668	94.5	460	58	1
	1200	365T	TEFC	ECP4312T	10,343	SD	33.49	928	94.1	230/460	61.7	1
		365T	TEFC	ECP4312T-4	10,343	SD	33.49	920	94.1	460	61.7	1
900	404T	TEFC	ECP4417T-4	16,652	SD	38.20	1216	93	460	63	1	
60	3600	364TS	TEFC	ECP4310T	10,431	SD	31.37	929	95	230/460	65.1	1
		364TS	TEFC	ECP4310T-4	10,431	SD	31.37	882	95	460	65.1	1
	1800	364T	TEFC	ECP4314T	9,414	SD	33.49	933	95	230/460	68	1
		364T	TEFC	ECP4314T-4	9,414	SD	33.49	941	95	460	68	1
	1200	404T	TEFC	ECP4403T	14,128	SD	38.32	1281	95	230/460	69	1
		404T	TEFC	ECP4403T-4	14,128	SD	38.32	1331	95	460	69	1
404T	TEFC	ECP4403TR-4	14,842	SD	38.20	1331	94.5	460	67.3	1		
900	405T	TEFC	ECP4418T-4	19,529	SD	38.20	1375	93	460	76	1	
75	3600	365TS	TEFC	ECP4313T	11,661	SD	31.37	1004	94.5	230/460	80.7	1
		365TS	TEFC	ECP4313T-4	11,661	SD	31.37	990	94.5	460	80.7	1
	1800	365T	TEFC	ECP4316T	11,000	SD	33.49	958	95.4	230/460	85.9	1
		365T	TEFC	ECP4316T-4	11,000	SD	33.49	962	95.4	460	84.9	1
	1200	405T	TEFC	ECP4404T	17,194	SD	38.32	1275	95	230/460	86.9	1
		405T	TEFC	ECP4404T-4	17,194	SD	38.32	1334	94.5	460	86.8	1
405T	TEFC	ECP4404TR-4	17,908	SD	38.32	1334	94.5	460	86.8	1, 5		
900	444T	TEFC	ECP4419T-4	24,111	SD	44.75	1815	95.4	460	89.3	1	
100	3600	405TS	TEFC	ECP4402T	14,657	SD	35.31	1283	95	230/460	110	1
		405TS	TEFC	ECP4402T-4	14,657	SD	35.31	1272	95	460	110	1
	1800	405T	TEFC	ECP4400T-4	14,439	SD	38.32	1296	95.4	460	112	1
		405T	TEFC	ECP4400TR-4	15,153	SD	38.32	1296	95.4	460	112	1, 5
	1200	405TS	TEFC	ECP4400TS-4	14,439	SD	35.32	1304	95.4	460	112	1
		444T	TEFC	ECP4409T-4	18,912	SD	44.75	1625	95	460	119	1
444T	TEFC	ECP4409TR-4	20,140	SD	44.75	1625	95	460	119	1, 5		
900	445T	TEFC	ECP4420T-4	28,143	SD	44.75	1905	93.6	460	125	1	
125	3600	444TS	TEFC	ECP4412T	17,223	SD	40.83	1957	95	230/460	138	1
		444TS	TEFC	ECP4412T-4	17,223	SD	40.83	1901	95	460	137	1
	1800	444T	TEFC	ECP4410T-4	17,070	SD	44.75	1950	95.4	460	144	1
		444T	TEFC	ECP4410TR-4	18,298	SD	44.75	1950	95.4	460	144	1, 5
	1200	444T	TEFC	ECP4410T-4E	17,070	SD	44.62	1757	95.8	460	139	1, 56
		445T	TEFC	ECP4411T-4	21,365	SD	44.75	2146	95	460	146	1
445T	TEFC	ECP4411TR-4	22,593	SD	44.75	2146	95	460	146	1, 5		
900	447T	TEFC	ECP4421T-4	30,823	SD	48.24	2330	95	460	149	1	
150	3600	445TS	TEFC	ECP4413T-4	20,191	SD	40.83	2017	95	460	164	1
		445T	TEFC	ECP4406T-4	19,997	SD	44.75	2190	95.8	460	169	1
	1800	445T	TEFC	ECP4406TR-4	21,225	SD	44.75	2190	95.8	460	169	1, 5
		445T	TEFC	ECP4906T-4	19,997	SD	44.75	1826	95.8	460	169	1, 99
	1200	447T	TEFC	ECP44156T-4	24,088	SD	48.24	2546	95.8	460	170	1
		447T	TEFC	ECP44156TR-4	25,315	SD	48.24	2585	95.8	460	170	1, 5
900	449T	TEFC	ECP4422T-4	35,415	SD	53.24	3051	95	460	188	1	

(a) See notes on inside back.
 All ratings are 1.15 service factor at 40°C ambient.
 All ratings meet the intent of IEEE-45 for weather protection, and are suitable for use in a 50°C ambient with a 1.0 service factor.
FOR OTHER 208-230/460 VOLT REQUIREMENTS, PLEASE SEE DIRTY DUTY MOTORS ON PAGES 48-50.

■ Cast Iron Frame Red Catalog Number indicates NEW Product.

**Three Phase,
Totally Enclosed,
575 Volts,
Foot Mounted**

1 thru 200 Hp

NEMA 143T thru 447T

IP55

Applications: Designed for 600V distribution systems for use in Petro-chemical plants, mines, quarries, foundries, pulp and paper plants, waste management facilities, chemical plants, and other processing industry applications requiring protection against corrosion caused by severe environmental operating conditions.

Features: Totally enclosed cast iron construction, Premium insulation system, Sealed frame fits, Gasketed conduit box, V-Ring shaft slinger, Stainless Steel nameplates, Corrosion resistant epoxy finish and Corrosion resistant hardware. Super-E® severe duty motors have NEMA Premium® efficiency, Class F insulation, 1.15 service factor and 3 year warranty. Positive lubrication system (PLS) on 250 frames and larger. Motors are marked for Division 2/Zone 2, Class I locations. Inverter Ready design with speed range and Inverter T. Code nameplate information, see chart on page 51 for specific motor information.



Hp	RPM	NEMA Frame	Catalog Number	List Price	Mult. Sym.	"C" Dim.	Aprx. Wt. (lb)	Full Load Efficiency	Voltage	Full Load Amps	Notes (a)
1	3600	143T	ECP3580T-5	950	SD	12.95	61	84	575	1.1	1
	1800	143T	ECP3581T-5	1,044	SD	12.95	65	87.5	575	1.2	1
1 1/2	1800	145T	ECP3584T-5	1,063	SD	12.95	71	88.5	575	1.7	1
	2	1800	145T	ECP3587T-5	1,110	SD	12.95	75	88.5	575	2.3
3	3600	182T	ECP3660T-5	1,336	SD	15.93	107	88.5	575	2.7	1
	1800	182T	ECP3661T-5	1,404	SD	15.93	113	89.5	575	3.3	1
	1200	213T	ECP3764T-5	1,971	SD	19.50	211	90.2	575	3.6	1
5	3600	184T	ECP3663T-5	1,644	SD	15.93	111	89.5	575	4.6	1
	1800	184T	ECP3665T-5	1,429	SD	15.93	118	89.5	575	5.3	1
	1200	215T	ECP3768T-5	1,998	SD	19.50	196	90.2	575	5.8	1
7 1/2	3600	213T	ECP3769T-5	2,145	SD	19.50	169	91.7	575	6.9	1
	1800	213T	ECP3770T-5	1,799	SD	19.50	170	91.7	575	7.5	1
	1200	254T	ECP2276T-5	2,858	SD	24.78	333	91.7	575	8.7	1
10	3600	215T	ECP3771T-5	2,284	SD	19.50	182	92.4	575	8.9	1
	1800	215T	ECP3774T-5	2,154	SD	19.50	231	92.4	575	10	1
	1200	256T	ECP2332T-5	3,713	SD	24.78	347	91.7	575	11.5	1
15	3600	254T	ECP2394T-5	2,922	SD	24.78	239	91.7	575	13.8	1
	1800	254T	ECP2333T-5	2,745	SD	24.78	297	92.4	575	14.5	1
	1200	284T	ECP4100T-5	4,257	SD	27.93	446	93	575	15.9	1
20	3600	256T	ECP4106T-5	3,408	SD	24.78	310	91.7	575	17.8	1
	1800	256T	ECP2334T-5	2,944	SD	24.78	325	93	575	19.2	1
	1200	286T	ECP4102T-5	5,784	SD	27.93	478	93	575	20.6	1
25	1800	284T	ECP4103T-5	3,852	SD	27.93	424	93.6	575	23	1
	1200	324T	ECP4111T-5	6,044	SD	30.27	612	93	575	25.7	1
30	1800	286T	ECP4104T-5	4,574	SD	27.93	467	94.1	575	29	1
40	1800	324T	ECP4110T-5	5,984	SD	30.27	623	94.5	575	36.8	1
50	1800	326T	ECP4115T-5	7,024	SD	30.27	652	94.5	575	45	1
60	1800	364T	ECP4314T-5	9,414	SD	33.49	936	95	575	54.4	1
75	1800	365T	ECP4316T-5	11,000	SD	33.49	966	95.4	575	68.7	1
100	1800	405T	ECP4400T-5	14,439	SD	38.32	1305	95.4	575	89.6	1
125	1800	444T	ECP4410T-5	17,070	SD	44.75	2054	95.4	575	115	1
		444T	ECP4410T-5E	17,070	SD	44.62	1764	95.4	575	112	1, 56
		444T	ECP4910T-5	17,070	SD	44.75	2054	95.4	575	115	1, 99
150	1800	445T	ECP4406T-5	19,997	SD	44.75	2175	95.8	575	135	1
		445T	ECP4906T-5	19,997	SD	44.75	1826	95.8	575	135	1, 99
200	1800	447T	ECP4407T-5	24,056	SD	48.24	2570	96.2	575	178	1
		447T	ECP4907T-5	24,056	SD	48.24	2676	96.2	575	178	1, 99

(a) See notes on inside back.

All ratings are 1.15 service factor at 40°C ambient.

All ratings meet the intent of IEEE-45 for weather protection, and are suitable for use in a 50°C ambient with a 1.0 service factor.

■ Cast Iron Frame

Red Catalog Number indicates **NEW** Product.

General Information

Single Phase Motors

General Purpose Industrial Motors

Severe Duty Motors

Large AC Motors

Washdown Duty Motors

Explosion Proof Motors

Pump Motors

HVAC Motors

Farm Duty Motors

Three Phase,
Totally Enclosed,
460 & 230/460 Volts,
C-Face

1 thru 200 Hp

NEMA 56C thru 447TC

IP55



Applications: Petro-chemical plants, mines, quarries, foundries, pulp and paper plants, waste management facilities, chemical plants, and other processing industry applications requiring protection against corrosion caused by severe environmental operating conditions.

Features: Totally enclosed cast iron construction, Premium insulation system, Sealed frame fits, Gasketed conduit box, V-Ring shaft slinger, Stainless Steel nameplates, Corrosion resistant epoxy finish and Corrosion resistant hardware. Super-E® severe duty motors have NEMA Premium® efficiency, Class F insulation, 1.15 service factor and 3 year warranty. Positive lubrication system (PLS) on 250 frames and larger. C-Face Footless models include Drip Cover. Motors are marked for Division 2/Zone 2, Class I locations. Inverter Ready design with speed range and Inverter T. Code nameplate information, see chart on page 51 for specific motor information.

Hp	RPM	NEMA Frame	Catalog Number	List Price	Mult. Sym.	“C” Dim.	Aprx. Wt. (lb)	Full Load Efficiency	Voltage	Full Load Amps	Notes (a)
C-Face, Foot Mounted											
1	1800	143TC	CECP3581T	1,099	SD	13.38	67	87.5	208-230/460	1.5	1
	1200	145TC	CECP3582T	1,211	SD	13.38	75	82.5	208-230/460	1.7	1
1 1/2	1800	145TC	CECP3584T	1,121	SD	13.38	72	88.5	208-230/460	2.1	1
	1200	182TC	CECP3667T	1,407	SD	16.68	99	87.5	208-230/460	2.5	1
2	1800	145TC	CECP3587T	1,166	SD	13.38	76	88.5	208-230/460	2.8	1
	1200	184TC	CECP3664T	1,422	SD	16.68	113	88.5	230/460	3.15	1
3	3600	182TC	CECP3660T	1,436	SD	16.68	112	88.5	230/460	3.4	1, 30
	1800	182TC	CECP3661T	1,505	SD	16.68	114	89.5	208-230/460	4.1	1
	1200	213TC	CECP3764T	2,072	SD	20.24	187	90.2	230/460	4.5	1, 30
5	3600	184TC	CECP3663T	1,744	SD	16.68	121	90.2	230/460	5.7	1, 30
	1800	184TC	CECP3665T	1,529	SD	16.68	130	89.5	208-230/460	6.6	1
	1200	215TC	CECP3768T	2,098	SD	20.24	226	90.2	230/460	7.3	1, 30
7 1/2	3600	213TC	CECP3769T	2,345	SD	20.24	173	91.7	230/460	8.6	1
	1800	213TC	CECP3770T	2,000	SD	20.24	170	91.7	230/460	9.5	1
	1200	254TC	CECP2276T	3,059	SD	25.18	305	91	230/460	10.7	1, 30
10	3600	215TC	CECP3771T	2,482	SD	20.24	203	92.4	230/460	11	1, 30
	1800	215TC	CECP3774T	2,354	SD	20.24	231	92.4	230/460	12.5	1
	1200	256TC	CECP2332T	3,913	SD	25.18	323	91.7	230/460	14.2	1, 30
15	3600	254TC	CECP2294T	3,505	SD	25.28	307	91.7	230/460	17.2	1, 30
	1800	254TC	CECP2333T	3,344	SD	25.18	297	92.4	230/460	18.1	1, 30
		254TC	CECP2333T-4	3,344	SD	25.18	296	92.4	460	18.1	1
	1200	284TC	CECP4100T	4,856	SD	27.93	435	93	230/460	19.7	1, 30
20	3600	256TC	CECP4106T	3,991	SD	25.28	333	92.4	230/460	22	1, 30
	1800	256TC	CECP2334T	3,544	SD	25.18	339	93	230/460	24	1, 30
		256TC	CECP2334T-4	3,544	SD	25.18	336	93	460	24	1
	1200	286TC	CECP4102T	6,384	SD	27.93	460	93	230/460	26	1
25	3600	284TSC	CECP4107T	4,868	SD	26.56	396	91.7	230/460	28	1, 30
	1800	284TC	CECP4103T-4	4,684	SD	27.93	440	93.6	460	30.5	1
		286TC	CECP4103T	4,684	SD	27.93	449	93.6	230/460	30	1, 30
	1200	324TC	CECP4111T	6,876	SD	30.28	626	93	230/460	32	1, 30
30	3600	286TSC	CECP4108T	5,766	SD	26.56	454	91.7	230/460	33	1
	1800	286TC	CECP4104T	5,406	SD	27.93	478	94.1	230/460	36	1, 30
		286TC	CECP4104T-4	5,406	SD	27.93	475	93.6	460	35	1
40	1200	326TC	CECP4117T	8,623	SD	30.28	640	93	230/460	39	1, 30
	3600	324TSC	CECP4109T	7,751	SD	28.78	571	93.6	230/460	45	1
	1800	324TC	CECP4110T	6,901	SD	30.28	628	94.5	230/460	46	1, 30
50	1200	364TC	CECP4308T	10,627	SD	33.44	908	94.1	230/460	49.4	1
	3600	326TSC	CECP4114T	8,079	SD	28.78	639	93	230/460	56	1, 30
	1800	326TC	CECP4115T	7,941	SD	30.28	656	94.5	230/460	58	1, 30
100	1200	365TC	CECP4312T	11,260	SD	33.44	908	94.1	230/460	61.7	1
	3600	405TC	CECP4400T-4	15,928	SD	38.20	1388	95.4	460	112	1
	1800	445TC	CECP4406T-4	22,059	SD	44.75	2138	96.2	460	165	1
200	1800	447TC	CECP4407T-4	26,536	SD	48.24	2455	96.2	460	221	1

(a) See notes on inside back flap. All ratings are 1.15 service factor at 40°C ambient.

All ratings meet the intent of IEEE-45 for weather protection, and are suitable for use in a 50°C ambient with a 1.0 service factor.

■ Cast Iron Frame Red Catalog Number indicates NEW Product.

General Information

Single Phase Motors

General Purpose Industrial Motors

Severe Duty Motors

Large AC Motors

Washdown Duty Motors

Explosion Proof Motors

Pump Motors

HVAC Motors

Farm Duty Motors

Three Phase, Totally Enclosed, 460 & 230/460 Volts, C-Face

Hp	RPM	NEMA Frame	Catalog Number	List Price	Mult. Sym.	"C" Dim.	Aprx. Wt. (lb)	Full Load Efficiency	Voltage	Full Load Amps	Notes (a)
C-Face, Footless											
1	3600	56C	VECP3580-4	1,001	SD	14.50	60	84	460	1.4	1
		56C	VECP3581	1,094	SD	14.50	66	87.5	208-230/460	1.5	1
	1800	56C	VECP3581-4	1,094	SD	14.50	66	87.5	460	1.5	1
		143TC	VECP3581T	1,094	SD	14.57	67	87.5	208-230/460	1.5	1
		143TC	VECP3581T-4	1,094	SD	14.57	66	87.5	460	1.5	1
	1200	145TC	VECP3582T	1,205	SD	14.57	69	82.5	208-230/460	1.7	1
1 1/2	3600	143TC	VECP3583T-4	1,129	SD	14.57	67	85.5	460	2	1
		145TC	VECP3584T	1,112	SD	14.57	71	88.5	208-230/460	2.1	1
	1800	145TC	VECP3584T-4	1,112	SD	14.57	70	88.5	460	2.1	1
		1200	182TC	VECP3667T	1,431	SD	16.98	103	87.5	208-230/460	2.5
2	3600	145TC	VECP3586T-4	1,182	SD	14.57	74	86.5	460	2.5	1
		145TC	VECP3587T	1,158	SD	14.57	75	88.5	208-230/460	2.8	1
	1800	145TC	VECP3587T-4	1,158	SD	14.57	75	88.5	460	2.8	1
		1200	184TC	VECP3664T	1,451	SD	16.98	114	88.5	230/460	3.2
3	3600	182TC	VECP3660T-4	1,419	SD	16.98	103	88.5	460	3.4	1
		182TC	VECP3661T	1,487	SD	16.98	112	89.5	230/460	4.1	1
	1800	182TC	VECP3661T-4	1,487	SD	16.98	105	90.2	460	4.1	1
		1200	213TC	VECP3764T	2,140	SD	21.36	165	90.2	230/460	4.5
5	3600	184TC	VECP3663T-4	1,727	SD	16.98	108	89.5	460	5.7	1
		184TC	VECP3665T	1,513	SD	16.98	119	89.5	208-230/460	6.6	1
	1800	184TC	VECP3665T-4	1,513	SD	16.98	119	89.5	460	6.6	1
		1200	215TC	VECP3768T	2,165	SD	21.36	225	90.2	230/460	7.3
7 1/2	3600	213TC	VECP3769T-4	2,313	SD	21.36	173	91.7	460	8.6	1
		213TC	VECP3770T	1,966	SD	21.36	170	91.7	230/460	9.5	1
	1800	213TC	VECP3770T-4	1,966	SD	21.36	170	91.7	460	9.5	1
		1200	254TC	VECP2276T	3,392	SD	27.40	338	91	230/460	10.7
10	3600	215TC	VECP3771T-4	2,450	SD	21.36	203	92.4	460	11	1
		215TC	VECP3774T	2,322	SD	21.36	231	92.4	230/460	12.5	1
	1800	215TC	VECP3774T-4	2,322	SD	21.36	231	92.4	460	12.5	1
		1200	256TC	VECP2332T	4,246	SD	27.40	348	91.7	230/460	14.2
15	1800	254TC	VECP2333T	3,279	SD	27.40	314	92.4	230/460	18.1	1, 30
		254TC	VECP2333T-4	3,279	SD	27.40	303	92.4	460	18.1	1
	1200	284TC	VECP4100T	5,006	SD	30.68	503	93	230/460	19.7	1, 30
20	1800	256TC	VECP2334T	3,476	SD	27.40	338	93	230/460	24	1, 30
		256TC	VECP2334T-4	3,476	SD	27.40	365	93	460	24	1
	1200	286TC	VECP4102T	6,534	SD	30.68	528	93	230/460	26	1
25	1800	284TC	VECP4103T	4,602	SD	30.68	483	93.6	230/460	30	1, 30
	1200	324TC	VECP4111T	6,877	SD	33.03	636	93	230/460	32	1, 30

(a) See notes on inside back flap.

All ratings are 1.15 service factor at 40°C ambient.

All ratings meet the intent of IEEE-45 for weather protection, and are suitable for use in a 50°C ambient with a 1.0 service factor.

■ Cast Iron Frame

General Information

Single Phase Motors

General Purpose Industrial Motors

Severe Duty Motors

Large AC Motors

Washdown Duty Motors

Explosion Proof Motors

Pump Motors

HVAC Motors

Farm Duty Motors

IEEE 841,
Three Phase,
Totally Enclosed,
460 Volts

1 thru 250 Hp

NEMA 143T thru 449T

IP56



Applications: Petro-chemical, pulp and paper, cement, aggregate mining and other process industries requiring premium efficient motors designed, manufactured and tested to exceed IEEE 841-2009 TEFC motor standards for extreme severe duty service.

Features: Meets and/or exceeds all requirements of IEEE Std. 841-2009 including: Totally enclosed cast iron construction, Lower vibration design, Inpro Seals and Positive Lubrication System with oversize bearings on both ends, Stainless Steel nameplates, Terminal lugs on motor leads, Corrosion resistant epoxy finish, NEMA Premium efficiency, Class F insulation with a Class B temperature Rise, 1.15 service factor and 5 year warranty. Final test and vibration results provided with motor. Motors are marked for Div.2/Zone 2, Class I locations and are designed to meet 200° C @ 1.0 Service Factor. Inverter Ready design with speed range and Inverter T. Code nameplate information, see chart on page 51 for specific motor information.

Hp	RPM	NEMA Frame	Enclosure	Catalog Number	List Price	Mult. Sym.	"C" Dim.	Aprx. Wt. (lb)	Full Load Efficiency	Voltage	Full Load Amps	Notes (a)
Foot Mounted												
1	3600	143T	TEFC	ECP83580T-4	1,043	SD	12.88	60	84	460	1.4	1
		143T	TENV	ENCP83580T-4	994	SD	11.37	56	84	460	1.3	1
	1800	143T	TEFC	ECP83581T-4	1,145	SD	12.88	69	87.5	460	1.5	1
		143T	TENV	ENCP83581T-4	1,087	SD	11.37	60	87.5	460	1.5	1
1 1/2	1200	145T	TEFC	ECP83582T-4	1,228	SD	12.88	69	82.5	460	1.7	1
	3600	143T	TEFC	ECP83583T-4	1,120	SD	12.88	69	85.5	460	2	1
	1800	145T	TEFC	ECP83584T-4	1,165	SD	12.87	73	88.5	460	2.1	1
2	1200	182T	TEFC	ECP83667T-4	1,414	SD	15.93	114	87.5	460	2.5	1
	3600	145T	TEFC	ECP83586T-4	1,229	SD	12.88	78	86.5	460	2.4	1
	1800	145T	TEFC	ECP83587T-4	1,217	SD	12.87	78	88.5	460	2.8	1
3	1200	184T	TEFC	ECP83664T-4	1,537	SD	15.93	130	88.5	460	3.2	1
	3600	182T	TEFC	ECP83660T-4	1,465	SD	15.93	116	88.5	460	3.4	1
	1800	182T	TEFC	ECP83661T-4	1,541	SD	15.93	116	89.5	460	4.1	1
5	1200	213T	TEFC	ECP83764T-4	2,143	SD	19.50	165	89.5	460	4.5	1
	3600	184T	TEFC	ECP83663T-4	1,805	SD	15.93	132	89.5	460	5.6	1
	1800	184T	TEFC	ECP83665T-4	1,570	SD	15.93	127	89.5	460	6.6	1
7 1/2	1200	215T	TEFC	ECP83768T-4	2,215	SD	19.50	193	89.5	460	7.1	1
	3600	213T	TEFC	ECP83769T-4	2,356	SD	19.50	179	91.7	460	8.6	1
	1800	213T	TEFC	ECP83770T-4	1,978	SD	19.50	199	91.7	460	9.5	1
10	1200	254T	TEFC	ECP82276T-4	3,195	SD	24.78	343	91	460	10.5	1
	3600	215T	TEFC	ECP83771T-4	2,508	SD	19.50	225	91	460	11.3	1
	1800	215T	TEFC	ECP83774T-4	2,342	SD	19.50	231	91.7	460	12.2	1
15	1200	256T	TEFC	ECP82332T-4	4,079	SD	24.78	359	91.7	460	14.1	1
	3600	254T	TEFC	ECP82394T-4	3,264	SD	24.78	308	91.7	460	17	1
	1800	254T	TEFC	ECP82333T-4	3,015	SD	24.78	317	92.4	460	17.6	1
20	1200	284T	TEFC	ECP84100T-4	4,712	SD	27.93	447	92.4	460	20	1
	3600	256T	TEFC	ECP84106T-4	3,742	SD	24.78	328	91.7	460	22	1
	1800	256T	TEFC	ECP82334T-4	3,260	SD	24.78	350	93	460	23.1	1
25	1200	286T	TEFC	ECP84102T-4	6,350	SD	27.93	442	92.4	460	25	1
	3600	284TS	TEFC	ECP84107T-4	4,575	SD	26.56	430	91.7	460	28.5	1
	1800	284T	TEFC	ECP84103T-4	4,228	SD	27.93	441	93.6	460	29	1
30	1200	324T	TEFC	ECP84111T-4	6,692	SD	30.66	638	93	460	32	1
	3600	286TS	TEFC	ECP84108T-4	5,480	SD	26.56	442	91.7	460	33	1
	1800	286T	TEFC	ECP84104T-4	4,979	SD	27.93	545	93.6	460	35	1
40	1200	326T	TEFC	ECP84117T-4	8,709	SD	30.66	637	93	460	38.6	1
	3600	324TS	TEFC	ECP84109T-4	7,498	SD	29.16	626	92.4	460	44	1
	1800	324T	TEFC	ECP84110T-4	6,629	SD	30.66	629	94.1	460	46	1
	1200	364T	TEFC	ECP84308T-4	10,662	SD	33.49	927	94.1	460	49.4	1

(a) See notes on inside back flap.

All ratings are 1.15 service factor at 40°C ambient.

All ratings meet the intent of IEEE-45 for weather protection, and are suitable for use in a 50°C ambient with a 1.0 service factor.

■ Cast Iron Frame

General Information

Single Phase Motors

General Purpose Industrial Motors

Severe Duty Motors

Large AC Motors

Washdown Duty Motors

Explosion Proof Motors

Pump Motors

HVAC Motors

Farm Duty Motors

**IEEE 841,
Three Phase,
TEFC, 575 Volts,
Foot Mounted**

1 thru 250 Hp

NEMA 143T thru 449T

IP56

Applications: Designed for 600V distribution systems for use in Petro-chemical, pulp and paper, cement, aggregate mining and other process industries requiring premium efficient motors designed, manufactured and tested to exceed IEEE 841-2009 TEFC motor standards for extreme severe duty service.

Features: Meets and/or exceeds all requirements of IEEE Std. 841-2009 including: Totally enclosed cast iron construction, Lower vibration design, Inpro Seals and Positive Lubrication System with oversize bearings on both ends, Stainless Steel nameplates, Terminal lugs on motor leads, Corrosion resistant epoxy finish, NEMA Premium efficiency, Class F insulation with a Class B temperature Rise, 1.15 service factor and 5 year warranty. Final test and vibration results provided with motor. Motors are marked for Div.2/Zone 2, Class I locations and are designed to meet 200° C @ 1.0 Service Factor. Inverter Ready design with speed range and Inverter T. Code nameplate information, see chart on page 51 for specific motor information.



Hp	RPM	NEMA Frame	Catalog Number	List Price	Mult. Sym.	"C" Dim.	Aprx. Wt. (lb)	Full Load Efficiency	Voltage	Full Load Amps	Notes (a)
Foot Mounted											
1	3600	143T	ECP83580T-5	1,043	SD	12.88	53	84	575	1.1	1
	1800	143T	ECP83581T-5	1,145	SD	12.87	67	87.5	575	1.2	1
	1200	145T	ECP83582T-5	1,228	SD	12.88	69	82.5	575	1.4	1
1 1/2	3600	143T	ECP83583T-5	1,120	SD	12.88	71	85.5	575	1.6	1
	1800	145T	ECP83584T-5	1,165	SD	12.87	73	88.5	575	1.7	1
	1200	182T	ECP83667T-5	1,414	SD	15.93	112	87.5	575	2	1
2	3600	145T	ECP83586T-5	1,161	SD	12.88	79	86.5	575	1.9	1
	1800	145T	ECP83587T-5	1,217	SD	12.87	77	88.5	575	2.3	1
	1200	184T	ECP83664T-5	1,537	SD	15.93	128	88.5	575	2.5	1
3	3600	182T	ECP83660T-5	1,465	SD	15.93	116	88.5	575	2.7	1
	1800	182T	ECP83661T-5	1,541	SD	15.93	118	89.5	575	3.3	1
	1200	213T	ECP83764T-5	2,143	SD	19.50	211	89.5	575	3.6	1
5	3600	184T	ECP83663T-5	1,805	SD	15.93	130	89.5	575	4.5	1
	1800	184T	ECP83665T-5	1,570	SD	15.93	127	89.5	575	5.3	1
	1200	215T	ECP83768T-5	2,215	SD	19.50	226	89.5	575	5.7	1
7 1/2	3600	213T	ECP83769T-5	2,356	SD	19.50	179	91.7	575	6.9	1
	1800	213T	ECP83770T-5	1,978	SD	19.50	199	91.7	575	7.6	1
	1200	254T	ECP82276T-5	3,352	SD	24.78	348	91.7	575	8.4	1
10	3600	215T	ECP83771T-5	2,508	SD	19.50	225	90.2	575	9	1
	1800	215T	ECP83774T-5	2,342	SD	19.50	231	91.7	575	9.8	1
	1200	256T	ECP82332T-5	4,079	SD	24.78	355	91.7	575	11.4	1
15	3600	254T	ECP82394T-5	3,264	SD	24.78	305	91.7	575	13.8	1
	1800	254T	ECP82333T-5	3,015	SD	24.78	318	92.4	575	14.1	1
	1200	284T	ECP84100T-5	4,712	SD	27.93	445	92.4	575	15.6	1
20	3600	256T	ECP84106T-5	3,742	SD	24.78	324	91.7	575	17.8	1
	1800	256T	ECP82334T-5	3,260	SD	24.78	361	93	575	19	1
	1200	286T	ECP84102T-5	6,350	SD	27.93	443	92.4	575	21	1
25	3600	284TS	ECP84107T-5	4,575	SD	26.56	429	91.7	575	22.8	1
	1800	284T	ECP84103T-5	4,228	SD	27.93	443	93.6	575	23	1
	1200	324T	ECP84111T-5	6,692	SD	30.66	623	93	575	25.4	1
30	3600	286TS	ECP84108T-5	5,480	SD	26.56	422	91.7	575	26.6	1
	1800	286T	ECP84104T-5	4,979	SD	27.93	480	93.6	575	28	1
	1200	326T	ECP84117T-5	8,709	SD	30.66	635	93	575	30.9	1
40	3600	324TS	ECP84109T-5	7,498	SD	29.16	624	92.4	575	35	1
	1800	324T	ECP84110T-5	6,629	SD	30.66	635	94.5	575	37	1
	1200	364T	ECP84308T-5	10,662	SD	33.49	922	94.1	575	39.5	1
50	3600	326TS	ECP84114T-5	7,821	SD	29.16	662	93	575	44	1
	1800	326T	ECP84115T-5	7,783	SD	30.66	653	94.5	575	45	1
	1200	365T	ECP84312T-5	11,355	SD	33.49	924	94.1	575	49.3	1

(a) See notes on inside back flap.

Cast Iron Frame

All ratings meet the intent of IEEE-45 for weather protection, and are suitable for use in a 50°C ambient with a 1.0 service factor.

IEEE 841, Three Phase, TEFC, 575 Volts, Foot Mounted

Hp	RPM	NEMA Frame	Catalog Number	List Price	Mult. Sym.	"C" Dim.	Aprx. Wt. (lb)	Full Load Efficiency	Voltage	Full Load Amps	Notes (a)
60	3600	364TS	EC P84310T-5	11,558	SD	31.37	932	95	575	52	1
	1800	364T	EC P84314T-5	10,335	SD	33.49	937	95	575	54.4	1
	1200	404T	EC P84403T-5	14,718	SD	38.20	1275	95	575	55.2	1
75	3600	365TS	EC P84313T-5	12,802	SD	31.37	998	95	575	64.5	1
	1800	365T	EC P84316T-5	12,019	SD	33.49	985	95.4	575	68.7	1
	1200	405T	EC P84404T-5	17,827	SD	38.32	1283	94.5	575	69.4	1
100	3600	405TS	EC P84402T-5	15,341	SD	35.31	1287	95	575	88	1
	1800	405T	EC P84400T-5	16,043	SD	38.20	1304	95.4	575	89.6	1
	1200	444T	EC P84409T-5	19,609	SD	44.75	1885	95	575	92	1
125	3600	444TS	EC P84412T-5	17,941	SD	40.98	1799	95.4	575	109	1
		444TS	EC P84412T-5E	17,941	SD	40.88	1740	95.4	575	109	1, 56
	1800	444T	EC P84410T-5	18,198	SD	44.75	1915	95.8	575	111	1
		444T	EC P84410T-5E	18,198	SD	44.62	1802	95.8	575	111	1, 56
	1200	445T	EC P84411T-5	22,257	SD	44.75	2000	95.4	575	114	1
150	3600	445TS	EC P84413T-5	20,617	SD	40.98	2062	96.2	575	131	1
		445T	EC P84406T-5	21,521	SD	44.75	1886	96.2	575	132	1
	1800	445T	EC P84406T-5E	21,521	SD	44.62	1879	96.2	575	132	1, 56
		447T	EC P844156TR-5	25,964	SD	48.24	2595	95.8	575	136	1, 5
	1200	447T	EC P849156TR-5	25,964	SD	48.24	2000	95.8	575	136	1, 5, 99
200	3600	447TS	EC P84416T-5	27,256	SD	44.48	2182	96.2	575	177	1
		447T	EC P84407T-5	25,892	SD	48.24	2606	96.2	575	178	1
		447T	EC P84407TR-5	27,119	SD	48.24	2618	96.2	575	178	1, 5
		447T	EC P84907T-5	25,892	SD	48.24	2676	96.2	575	178	1, 99
		447T	EC P84907TR-5	27,119	SD	48.24	2676	96.2	575	178	1, 5, 99
	1200	449T	EC P844206TR-5	34,092	SD	53.24	3100	95.8	575	180	1, 5
250	3600	449TS	EC P844252T-5	43,915	SD	49.48	2784	96.2	575	212	1
		449TS	EC P849252T-5	43,915	SD	49.48	2595	96.2	575	212	1, 99
	1800	449T	EC P84408T-5	33,052	SD	53.24	2932	96.2	575	220	1
		449T	EC P84408TR-5	34,246	SD	53.24	2732	96.2	575	220	1, 5
		449T	EC P84908T-5	33,052	SD	53.24	2941	96.2	575	220	1, 99
		449T	EC P84908TR-5	34,246	SD	53.24	2677	96.2	575	220	1, 5, 99

C-Face, Foot Mounted

1	1800	143TC	CE P83581T-5	1,190	SD	13.38	71	87.5	575	1.2	1
2	1800	145TC	CE P83587T-5	1,262	SD	13.38	80	88.5	575	2.3	1
3	1800	182TC	CE P83661T-5	1,644	SD	16.69	111	89.5	575	3.3	1
5	1800	184TC	CE P83665T-5	1,653	SD	16.69	131	89.5	575	5.3	1
7 1/2	1800	213TC	CE P83770T-5	2,094	SD	20.23	211	91.7	575	7.6	1
10	1800	215TC	CE P83774T-5	2,531	SD	20.23	231	91.7	575	9.8	1
15	1800	254TC	CE P82333T-5	3,465	SD	25.28	309	92.4	575	14.1	1
20	1800	256TC	CE P82334T-5	3,666	SD	25.28	357	93	575	19	1
25	1800	284TC	CE P84103T-5	5,145	SD	27.93	444	93.6	575	23	1
30	1800	286TC	CE P84104T-5	5,892	SD	27.93	487	93.6	575	28	1
40	1800	324TC	CE P84110T-5	7,637	SD	30.66	670	94.5	575	36.8	1
50	1800	326TC	CE P84115T-5	8,790	SD	30.66	663	94.5	575	45	1

(a) See notes on inside back flap.

■ Cast Iron Frame

Red Catalog Number indicates **NEW** Product.

All ratings meet the intent of IEEE-45 for weather protection, and are suitable for use in a 50°C ambient with a 1.0 service factor.

General Information

Single Phase Motors

General Purpose Industrial Motors

Severe Duty Motors

Large AC Motors

Washdown Duty Motors

Explosion Proof Motors

Pump Motors

HVAC Motors

Farm Duty Motors

BALDOR • RELIANCE

**661XL / IEEE 841,
Three Phase,
TEFC, 460 Volts,
Foot Mounted**

5 thru 75 Hp

NEMA 184T thru 365T

IP56

Applications: Petroleum, chemical and other industries with belt driven heat exchangers requiring premium efficient motors designed to API 661 standards of 40,000 hours bearing life.

Features: Meets and/or exceeds all the requirements of IEEE Std. 841-2009 with the exception of Mobilith Grease which is required for best performance of the Roller Bearing design. Standard features include vertical lifting provisions for shaft up and shaft down mounting, cast iron construction, Inpro Seals on both end of the motor, Positive Lubrication System, NEMA Premium efficiency, Stainless Steel nameplates, Corrosion resistant epoxy finish, Class F insulation with a Class B temperature Rise, 1.15 service factor and 5 year warranty. Final test and vibration results provided with motor. Motors are marked for Div.2/Zone 2, Class I locations and are designed to meet 200° C @ 1.0 Service Factor. Inverter Ready design with speed range and Inverter T. Code nameplate information, see chart on page 51 for specific motor information.



Hp	RPM	NEMA Frame	Catalog Number	List Price	Mult. Sym.	"C" Dim.	Aprx. Wt. (lb)	Full Load Efficiency	Voltage	Full Load Amps	Notes (a)
5	1800	184T	ECP63665T-4	1,570	SD	15.93	128	89.5	460	6.6	1
7 1/2	1800	213T	ECP63770TR-4	2,248	SD	19.49	195	91.7	460	9.5	1, 5
10	1800	215T	ECP63774TR-4	2,611	SD	19.49	231	91.7	460	12.2	1, 5
15	1800	254T	ECP62333TR-4	3,372	SD	24.88	314	92.4	460	17.6	1, 5
20	1800	256T	ECP62334TR-4	3,617	SD	24.88	761	93	460	23.1	1, 5
25	1800	284T	ECP64103TR-4	4,676	SD	28.01	461	93.6	460	30.5	1, 5
30	1800	286T	ECP64104TR-4	5,426	SD	28.01	487	93.6	460	35	1, 5
40	1800	324T	ECP64110TR-4	7,198	SD	30.76	636	94.1	460	46	1, 5
50	1800	326T	ECP64115TR-4	8,354	SD	30.76	687	94.5	460	57	1, 5
60	1800	364T	ECP64314TR-4	10,960	SD	33.48	936	95	460	68	1, 5
75	1800	365T	ECP64316TR-4	12,644	SD	33.48	976	95.4	460	85.9	1, 5

(a) See notes on inside back.

■ Cast Iron Frame

All ratings meet the intent of IEEE-45 for weather protection, and are suitable for use in a 50°C ambient with a 1.0 service factor.

General Information

Single Phase Motors

General Purpose Industrial Motors

Severe Duty Motors

Large AC Motors

Washdown Duty Motors

Explosion Proof Motors

Pump Motors

HVAC Motors

Farm Duty Motors

**Quarry Duty Motors,
Three Phase,
TEFC, Design C,
High Torque**

2 thru 75 Hp

NEMA 145T thru 365T

IP55

Applications: Conveyors, gear reducers and applications requiring NEMA Design C torques.

Features: High torque NEMA Design C electrical designs, Totally enclosed fan cooled heavy-gauge steel and cast-iron frames, gasketed conduit boxes with NPT entry, Corrosion resistant epoxy finish, Shaft slingers, Class F insulation with a Class B temperature rise, 1.15 service factor.



Hp	RPM	NEMA Frame	Catalog Number	List Price	Mult. Sym.	"C" Dim.	Aprx. Wt. (lb)	Full Load Efficiency	Voltage	Full Load Amps	Notes (a)
Foot Mounted											
2	1800	145T	M3558T-9	597	SD	13.31	41	84	230/460	3.1	1, 30
3	1800	182T	M3611T-9	700	SD	16.54	66	87.5	208-230/460	4.5	1
5	1800	184T	M3615T-9	808	SD	18.05	83	87.5	208-230/460	7.1	1
7 1/2	1800	213T	M3710T-9	1,027	SD	17.89	120	89.5	230/460	10.3	1, 30
10	1800	215T	M3714T-9	1,195	SD	19.01	136	89.5	230/460	13.9	1
15	1800	254T	M2333T-9	2,110	SD	23.28	260	91	208-230/460	18.7	1
20	1800	256T	M2334T-9	2,546	SD	23.28	268	91	208-230/460	25.5	1
25	1800	284T	M4103T-9	3,158	SD	27.76	415	92.4	208-230/460	29	1
30	1800	286T	M4104T-9	3,730	SD	27.76	423	92.4	208-230/460	35	1
40	1800	324T	M4110T-9	4,948	SD	30.28	632	93	208-230/460	47	1
50	1800	326T	M4115T-9	5,122	SD	30.28	633	93	208-230/460	59	1
60	1800	364T	M4314T-9	9,016	SD	33.44	876	94.1	230/460	70.2	1
75	1800	365T	M4316T-9	9,729	SD	33.44	911	94.5	230/460	87.9	1
C-Face, Footless											
3	1800	182TC	VM3661T-9	1,077	SD	15.98	97	87.5	208-230/460	4.4	1

(a) See notes on inside back flap.

■ Cast Iron Frame

General Information

Single Phase Motors

General Purpose Industrial Motors

Severe Duty Motors

Large AC Motors

Washdown Duty Motors

Explosion Proof Motors

Pump Motors

HVAC Motors

Farm Duty Motors

**Crusher Motors,
Three Phase,
TEFC, 460 Volt,
Foot Mounted**

75 thru 350 Hp

NEMA 404T thru 449T

IP55

Applications: Belt-driven rock crushers, pellet mills, and other applications requiring motors rated for severe duty service and high starting torques.

Features: High torque NEMA Design A electrical design exceeds NEMA Design C locked rotor, pull up and breakdown torques. Totally enclosed fan cooled cast iron construction with pulley end roller bearings and high strength steel shaft for belted loads only. Not suitable for direct coupled loads. Sealed frame fits, Gasketed conduit box, Corrosion resistant epoxy finish. Class F insulation, 1.15 Service Factor. Stainless steel nameplate and corrosion resistant hardware. Super-E® motors have NEMA Premium® efficiency and 3 year warranty.



Hp	RPM	NEMA Frame	Catalog Number	List Price	Mult. Sym.	"C" Dim.	Aprx. Wt. (lb)	Full Load Efficiency	Voltage	Full Load Amps	Notes (a)
75	1200	404T	ECR4404TR-4	16,137	SD	38.31	1272	94.5	460	91	1,5
	1800	405T	ECR4400TR-4	12,216	SD	38.31	1403	95.4	460	115	1,5
100	1200	444T	ECR4409TR-4	16,669	SD	44.75	2141	95	460	119	1,5
		444T	ECR4909TR-4	16,669	SD	44.75	2141	95	460	119	1,99,5
125	1800	444T	ECR4410TR-4	15,544	SD	44.75	2075	95.4	460	149	1,5
		444T	ECR4910TR-4	15,544	SD	44.75	1964	95.4	460	149	1,99,5
	1200	445T	ECR4411TR-4	18,831	SD	48.24	2271	95	460	148	1,5
		445T	ECR4911TR-4	18,831	SD	48.24	2271	95	460	148	1,99,5
150	1800	445T	ECR4406TR-4	18,205	SD	48.24	2184	95.8	460	180	1,5
	1200	447T	ECR44156TR-4	21,231	SD	53.24	3125	95.8	460	172	1,5
200	1800	447T	ECR4407TR-4	21,907	SD	53.24	2831	96.2	460	232	1,5
		447T	ECR4907TR-4	21,907	SD	53.24	2694	96.2	460	232	1,99,5
	1200	449T	ECR44206TR-4	27,805	SD	53.24	3165	95.8	460	232	1,5
250	1800	447T	CR4408TR-4	26,090	SD	48.24	2405	95.4	460	284	1,5
	1200	449T	CR44256TR-4	36,933	SD	53.24	2839	95.4	460	295	1,5
300	1800	449T	CR44304TR-4	35,303	SD	53.24	2645	95.4	460	353	1,5
	1200	L449T	CR49306TR-4	48,040	SD	60.21	3683	95.8	460	371	1,99,5
350	1800	449T	CR44354TR-4	41,906	SD	53.24	2925	95.8	460	404	1,5

(a) See notes on inside back flap.

Cast Iron Frame

Red Catalog Number indicates NEW Product.

General Information

Single Phase Motors

General Purpose Industrial Motors

Severe Duty Motors

Large AC Motors

Washdown Duty Motors

Explosion Proof Motors

Pump Motors

HVAC Motors

Farm Duty Motors

**Oil Field Pump,
Three Phase,
TEFC and ODP,
Design D,
Foot Mounted**

3 thru 150 Hp

NEMA 213T thru 449T

Applications: Beam pumping units, punch presses and other high cyclic load applications requiring high torque and high slip.

Features: High slip Nema Design D electrical designs. Open Drip Proof enclosures available with heavy-gauge steel and cast iron frames. Totally enclosed Fan cooled cast iron construction enclosures. F-2 position conduit box. Rodent screens on open motors, Severe Duty features on Totally enclosed motors. Shaft slinger, Normally closed thermostats, Corrosion resistant epoxy finish.



Hp	RPM	NEMA Frame	Catalog Number	List Price	Mult. Sym.	"C" Dim.	Aprx. Wt. (lb)	Full Load Efficiency	Voltage	Full Load Amps	Notes (a)
Totally Enclosed Fan Cooled, 230/460/796 VAC											
3	1200	213T	OF3764T	2,314	SD	19.32	164	80	230/460/796	3.1	1
5	1200	215T	OF3768T	2,565	SD	19.32	196	80	230/460/796	4.4	1
7 1/2	1200	254T	OF2276T	3,127	SD	23.25	249	84	230/460/796	7.5	1
10	1200	256T	OF2332T	3,482	SD	23.25	280	84	230/460/796	9	1
15	1200	284T	OF4100T	5,553	SD	27.56	415	87.5	230/460/796	11.6	1
20	1200	286T	OF4102T	6,709	SD	27.56	451	87.5	230/460/796	15	1
25	1200	324T	OF4111T	8,096	SD	30.27	579	87.5	230/460/796	19	1
Totally Enclosed Fan Cooled, 460/796 VAC											
30	1200	326T	OF4117T	9,817	SD	30.27	611	88.5	460/796	22.5	1
40	1200	365T	OF4308T	10,877	SD	33.44	928	89.5	460/796	28	1
50	1200	404T	OF4312T	14,089	SD	38.16	1316	89.5	460/796	33.9	1
60	1200	405T	OF4403T	17,426	SD	38.16	1407	90.2	460/796	40.5	1
75	1200	444T	OF4404T	18,899	SD	40.98	1850	88.5	460/796	51.5	1
		444T	OF4904T	18,899	SD	40.98	1850	88.5	460/796	51.5	1, 99
100	1200	445T	OF4409T	24,566	SD	48.24	2609	90.2	460/796	67.6	1
		445T	OF4909T	24,566	SD	48.24	2609	90.2	460/796	67.6	1, 99
125	1200	447T	OF4411T	31,535	SD	53.24	2830	91	460/796	83.7	1
		447T	OF4911T	31,535	SD	53.24	2830	91	460/796	83.7	1, 99
150	1200	449T	OF44156T	37,249	SD	53.24	3227	91.7	460/796	99.9	1
		449T	OF49156T	37,249	SD	53.24	3227	91.7	460/796	99.9	1, 99
Open Drip Proof, 230/460/796 VAC											
3	1200	213T	OF3303T	1,414	SD	18.13	92	81.5	230/460/796	3.1	2
5	1200	215T	OF3305T	1,876	SD	18.13	127	82.5	230/460/796	4.7	2
7 1/2	1200	254T	OF3307T	2,339	SD	24.18	209	81.5	230/460/796	7.2	2
		254T	OF3407T	2,565	SD	20.63	270	84	230/460/796	7.2	1
10	1200	256T	OF3310T	2,834	SD	24.18	234	82.5	230/460/796	9.2	2
		256T	OF3410T	2,997	SD	22.38	280	84	230/460/796	9	1
15	1200	284T	OF3315T	3,975	SD	26.31	288	85.5	230/460/796	13	1
		284T	OF3415T	4,200	SD	23.44	336	85.5	230/460/796	13.3	1
20	1200	286T	OF3320T	4,762	SD	26.31	323	84	230/460/796	17.2	1
		286T	OF3420T	4,982	SD	24.94	372	86.5	230/460/796	16.8	1
25	1200	324T	OF3325T	6,119	SD	29.18	437	85.5	230/460/796	20	1
		324T	OF3425T	6,510	SD	26.13	517	85.5	230/460/796	20	1
Open Drip Proof, 460/796 VAC											
30	1200	326T	OF3330T	7,444	SD	29.18	444	85.5	460/796	24	1
		326T	OF3430T	7,873	SD	27.63	537	85.5	460/796	24	1
40	1200	365T	OF3340T	9,483	SD	29.94	550	88.5	460/796	32.5	1
		365T	OF3440T	10,052	SD	29.70	714	87.5	460/796	28.4	1
50	1200	404T	OF3350T	11,088	SD	34.00	914	87.5	460/796	36.7	1
60	1200	404T	OF3360T	12,458	SD	34.00	1051	89.5	460/796	41.3	1
75	1200	404T	OF3375T	14,703	SD	34.00	1158	89.5	460/796	50.8	1
100	1200	445T	OF33100T	15,621	SD	39.56	1658	89.5	460/796	69.9	1
125	1200	449T	OF33125T	19,802	SD	48.06	2380	91	460	145	1

(a) See notes on inside back flap. Cast Iron Frame

Custom TEFC motors available through 2,250 Hp; Open and WPII custom motors through 15,000 Hp. Contact your local Baldor•Reliance Sales Representative.

General Information

Single Phase Motors

General Purpose Industrial Motors

Severe Duty Motors

Large AC Motors

Washdown Duty Motors

Explosion Proof Motors

Pump Motors

HVAC Motors

Farm Duty Motors

**Dirty Duty,
Three Phase,
TEFC**

1/2 thru 15 Hp

NEMA 56 thru 254T

IP55

Applications: Petro-chemical plants, mines, quarries, foundries, pulp and paper plants, waste management facilities, chemical plants and other processing industry applications requiring protection against corrosion caused by severe environmental operating conditions.

Features: Totally enclosed fan cooled frame, Stainless steel shaft extensions, designed to meet the intent of IEEE-45 for weather protection, suitable for use in 50 Degree C ambient with a 1.0 service factor. Super-E® Dirty Duty motors have NEMA Premium® efficiency and 3 year warranty.



Hp	RPM	NEMA Frame	Catalog Number	List Price	Mult. Sym.	"C" Dim.	Aprx. Wt. (lb)	Full Load Efficiency	Voltage	Full Load Amps	Notes (a)
Foot Mounted, No Drip Cover											
1/2	1800	56	M8001	586	SD	11.35	27	74	230/460	0.5	1, 30
3/4	1800	56	M8002	744	SD	11.35	30	75.5	230/460	1.5	1, 30
1	1800	56	M8003	814	SD	12.85	35	78.5	208-230/460	1.7	1
		143T	EM8003T	1,150	SD	12.75	58	85.5	208-230/460	1.5	1
1 1/2	1800	145T	EM8004T	1,186	SD	12.75	64	86.5	208-230/460	2.3	1
2	1800	145T	EM8005T	1,209	SD	12.75	65	86.5	208-230/460	2.9	1
3	1800	182T	EM8006T	1,440	SD	15.93	108	89.5	208-230/460	4.1	1
5	1800	184T	EM8007T	1,579	SD	15.93	119	89.5	208-230/460	6.6	1
7 1/2	1800	213T	EM8008T	1,840	SD	19.50	170	91.7	208-230/460	9.5	1
10	1800	215T	EM8009T	2,373	SD	19.50	231	91.7	208-230/460	12.2	1
15	1800	254T	EM8010T	3,237	SD	23.54	264	92.4	208-230/460	18.1	1
C-Face, Foot Mounted, No Drip Cover											
1/2	3600	56C	CM8537	611	SD	11.34	26	68	230/460	1	1, 30
	1800	56C	CM8001	637	SD	11.34	29	74	230/460	0.5	1, 30
	1200	56C	CM8539	829	SD	11.34	30	72	230/460	1.2	1, 30
3/4	1800	56C	CM8002	795	SD	11.34	33	75.5	230/460	1.5	1
	1200	56C	CM8543	977	SD	12.84	38	77	208-230/460	1.5	1
1	1800	56C	CM8003	865	SD	12.84	38	78.5	208-230/460	1.7	1
	1200	56C	CM8556	1,043	SD	12.24	43	78.5	208-230/460	1.9	1
1 1/2	1800	56C	CM8004	947	SD	12.24	42	81.5	208-230/460	2.3	1
C-Face, Footless, No Drip Cover											
1/2	3600	56C	VM8537	599	SD	11.35	25	68	230/460	0.5	1, 30
	1800	56C	VM8001	612	SD	11.35	28	74	230/460	0.5	1, 30
		56C	VM8001-5	612	SD	11.35	27	74	575	0.8	1
3/4	3600	56C	VM8541	757	SD	11.35	27	74	230/460	1.3	1
	1800	56C	VM8002	771	SD	11.35	31	75.5	230/460	1.5	1, 30
		56C	VM8002-5	771	SD	11.35	27	75.5	575	1.2	1
1	3600	56C	VM8012	760	SD	11.35	28	75.5	230/460	1.8	1, 30
	1800	56C	VM8003	829	SD	12.85	37	78.5	208-230/460	1.7	1
		143TC	VEM8003T-5	1,198	SD	13.25	59	85.5	575	1.2	1
		143TC	VM8003T	937	SD	13.25	58	82.5	208-230/460	1.6	1
143TC	VM8003T-5	937	SD	13.25	56	82.5	575	1.2	1		
1 1/2	3600	56C	VM8550	900	SD	12.24	38	82.5	208-230/460	2.1	1
	1800	56C	VM8004	884	SD	12.24	42	81.5	208-230/460	2.3	1
		145TC	VEM8004T-5	1,243	SD	13.25	65	86.5	575	1.8	1
		145TC	VM8004T	919	SD	13.25	62	84	208-230/460	2.4	1
145TC	VM8004T-5	919	SD	13.25	66	84	575	1.9	1		
2	3600	56C	VM8016	954	SD	12.69	63	78.5	208-230/460	2.7	1
		145TC	VM8016T	1,030	SD	13.25	67	84	208-230/460	2.6	1
	1800	56C	VM8005	898	SD	12.69	62	82.5	208-230/460	3	1
		145TC	VEM8005T-5	1,291	SD	13.25	60	86.5	575	2.3	1
		145TC	VM8005T	969	SD	13.25	64	84	208-230/460	3.1	1
145TC	VM8005T-5	969	SD	13.25	69	84	575	2.5	1		

(a) See notes on inside back flap.

Dirty duty not recommended for a chlorine atmosphere.

■ Cast Iron Frame

General Information

Single Phase Motors

General Purpose Industrial Motors

Severe Duty Motors

Large AC Motors

Washdown Duty Motors

Explosion Proof Motors

Pump Motors

HVAC Motors

Farm Duty Motors

Dirty Duty, Three Phase, TEFC

Hp	RPM	NEMA Frame	Catalog Number	List Price	Mult. Sym.	"C" Dim.	Aprx. Wt. (lb)	Full Load Efficiency	Voltage	Full Load Amps	Notes (a)
C-Face, Footless, No Drip Cover (continued)											
3	3600	145TC	VM8559T	1,125	SD	13.25	74	85.5	208-230/460	3.7	1
	1800	182TC	VM8006T	1,319	SD	15.24	97	87.5	208-230/460	4.1	1
5	1800	184TC	VM8007T	1,475	SD	16.69	113	87.5	208-230/460	6.9	8
7 1/2	1800	213TC	VM8008T	1,902	SD	20.06	164	89.5	208-230/460	10.3	1
10	1800	215TC	VM8024T	2,138	SD	20.06	169	89.5	208-230/460	13	8

(a) See notes on inside back flap.
 Dirty duty not recommended for a chlorine atmosphere.
 ■ Cast Iron Frame

**Dirty Duty,
 Autophoretic,
 Three Phase,
 230/460 Volts,
 C-Face, Foot Mounted**



1/2 thru 10 Hp

NEMA 56C thru 256TC

IP56

Applications: The most severe and corrosive applications, those which use intense high-pressure washdown, and marine applications. Corrosion-resistant autophoretic coating on steel and cast-iron components.

Features: Corrosion-resistant autophoretic coating on steel and cast iron components, stainless steel shaft extension, non-contact rotating labyrinth shaft seal on drive and fan ends, threaded drain ports, stainless steel plugs, gasketed and sealed conduit box, IP56 enclosure. Class F insulated motor with 1.15 service factor. Motors meet the intent of IEEE 45 for weather protection and are suitable for use in a 50° ambient with a 1.0 service factor. Super-E® motors have NEMA Premium® efficiency and 3 year warranty.

Hp	RPM	NEMA Frame	Enclosure	Catalog Number	List Price	Mult. Sym.	"C" Dim.	Aprx. Wt. (lb)	Full Load Efficiency	Voltage	Full Load Amps	Notes (a)
1/2	1800	56C	TENV	CWAM3538	715	SD	11.05	34	80	208-230/460	0.8	1, 12, 60
3/4	1800	56C	TENV	CWAM3542	825	SD	11.05	37	78.5	230/460	1.4	1, 12, 30, 60
	3600	56C	TEFC	CWAM3545	851	SD	12.28	39	74	208-230/460	1.6	1, 12
1	1800	56C	TENV	CWAM3546	854	SD	11.05	41	82.5	208-230/460	1.5	1, 60
		143TC	TENV	CWAM3546T	854	SD	12.12	42	82.5	208-230/460	1.5	1, 60
	1200	56C	TEFC	CWAM3556	1,101	SD	12.28	45	78.5	208-230/460	1.9	1
1 1/2	3600	56C	TEFC	CWAM3550	953	SD	13.28	42	75.5	208-230/460	2.3	1
	1800	145TC	TENV	CWAM3554T	894	SD	12.12	48	85.5	208-230/460	2.3	1, 60
	1200	56C	TEFC	CWAM3557	1,248	SD	14.16	55	80	208-230/460	2.5	1
2	3600	56C	TEFC	CWAM3555	1,048	SD	13.28	38	78.5	208-230/460	2.7	1
	1800	56C	TEFC	CWAM3558	1,101	SD	13.28	49	84	208-230/460	3.1	1, 60
		145TC	TEFC	CEWAM3558T	1,343	SD	13.35	52	86.5	208-230/460	2.9	1
3	3600	145TC	TEFC	CEWAM3559T	1,450	SD	14.23	59	86.5	208-230/460	3.6	1
	1800	182TC	TEFC	CEWAM3611T	1,577	SD	16.60	90	89.5	208-230/460	4.2	1
	1200	213TC	TEFC	CEWAM3704T	2,075	SD	19.76	154	89.5	208-230/460	4.6	1
5	3600	184TC	TEFC	CEWAM3613T	1,602	SD	16.60	97	88.5	208-230/460	5.6	1
	1800	184TC	TEFC	CEWAM3615T	1,785	SD	18.10	108	89.5	208-230/460	6.7	1
	1200	215TC	TEFC	CEWAM3708T	2,599	SD	20.51	181	89.5	208-230/460	7.2	1
7 1/2	3600	213TC	TEFC	CEWAM3709T	2,387	SD	18.63	138	89.5	208-230/460	9	1
	1800	213TC	TEFC	CEWAM3710T	2,358	SD	19.76	146	91.7	208-230/460	9.4	1
10	3600	215TC	TEFC	CEWAM3711T	2,408	SD	18.63	138	90.2	208-230/460	11.8	1
	1800	215TC	TEFC	CEWAM3714T	2,601	SD	21.26	185	91.7	208-230/460	12	1

(a) See notes on inside back flap.

General Information

Single Phase Motors

General Purpose Industrial Motors

Severe Duty Motors

Large AC Motors

Washdown Duty Motors

Explosion Proof Motors

Pump Motors

HVAC Motors

Farm Duty Motors

**Dirty Duty,
Autophoretic,
Three Phase,
230/460 Volts,
C-Face, Footless**

1/2 thru 10 Hp

NEMA 56C thru 215TC

IP56

Applications: The most severe and corrosive applications, those which use intense high-pressure washdown, and marine applications. Corrosion-resistant autophoretic coating on steel and cast-iron components.

Features: Corrosion-resistant autophoretic coating on steel and cast iron components, stainless steel shaft extension, non-contact rotating labyrinth shaft seal on drive and fan ends, threaded drain ports, stainless steel plugs, gasketed and sealed conduit box, IP56 enclosure. Class F insulated motor with 1.15 service factor. Motors meet the intent of IEEE 45 for weather protection and are suitable for use in a 50° ambient with a 1.0 service factor.



Hp	RPM	NEMA Frame	Enclosure	Catalog Number	List Price	Mult. Sym.	"C" Dim.	Aprx. Wt. (lb)	Full Load Efficiency	Voltage	Full Load Amps	Notes (a)
1/2	1800	56C	TENV	VWAM3538	707	SD	11.05	35	80	208-230/460	0.8	1, 12, 60
3/4	1800	56C	TENV	VWAM3542	818	SD	11.05	37	78.5	208-230/460	1.4	1, 12, 60
1	1800	56C	TENV	VWAM3546	849	SD	11.05	41	82.5	208-230/460	1.5	1, 60
		143TC	TENV	VWAM3546T	849	SD	11.13	41	82.5	208-230/460	1.5	1, 60
1 1/2	1800	56C	TENV	VWAM3554	890	SD	12.05	48	85.5	208-230/460	2.3	1, 60
		145TC	TENV	VWAM3554T	890	SD	12.13	49	85.5	208-230/460	2.3	1, 60
2	1800	56C	TEFC	VWAM3558	1,095	SD	13.28	47	82.5	208-230/460	3	1
		145TC	TEFC	VWAM3558T	1,182	SD	13.35	47	84	208-230/460	3.1	1
3	1800	182TC	TEFC	VWAM3611T	1,431	SD	16.60	86	87.5	208-230/460	4.5	1
5	1800	184TC	TEFC	VWAM3615T	1,668	SD	16.60	91	87.5	208-230/460	6.8	1
7 1/2	1800	213TC	TEFC	VWAM3710T	2,038	SD	18.63	131	89.5	208-230/460	10.1	1
10	1800	215TC	TEFC	VWAM3714T	2,324	SD	19.76	147	89.5	208-230/460	13.5	1

(a) See notes on inside back flap.

General Information

Single Phase Motors

General Purpose Industrial Motors

Severe Duty Motors

Large AC Motors

Washdown Duty Motors

Explosion Proof Motors

Pump Motors

HVAC Motors

Farm Duty Motors

Medium Voltage, Three Phase, 2300/4000 Volts, TEFC, Foot Mounted

250 thru 1000 Hp

449 thru 5810

IP54

Applications: Pumps, compressors, fans, blowers and other general purpose applications. Suitable for use on VFD 2:1 CT, 10:1 VT* centrifugal loads.

Features: High efficiency, cast iron frame, end shields and inner caps, fiberglass fan cover and air deflector, ground lug in the conduit box, DE shaft slinger and insulated non-drive end bearing. Stock motors include 100 ohm platinum winding RTD's, provision for bearing RTD's and space heaters. The "S" and "TS" shafts are for coupled loads and are not convertible to roller bearings. The "L" and "T" shafts are ball bearing and convertible to roller bearing. Belted duty "LR" shafts are roller bearing and convertible to ball bearing. Paint is specially formulated modified epoxy coating with UV protection. CSA approved.



Hp	RPM	NEMA Frame	Catalog Number	List Price	Mult. Sym.	"C" Dim.	Aprx. Wt. (lb)	Full Load Efficiency	Voltage	Full Load Amps	Notes (a)
250	3600	449	EM44252TS-2340	33,234	LG	49.49	2338	95.0	2300/4000	32.8	1
	1800	L449	EM44254T-2340	36,300	LG	60.21	2694	95.0	2300/4000	32.4	1
	1200	5010	M50256LR-2340	41,964	LG	71.42	3683	94.6	2300/4000	34.0	1, 5
300	3600	L449	EM44302TS-2340	40,255	LG	56.48	3149	94.3	2300/4000	38.8	1
	1800	L449	EM44304T-2340	36,979	LG	60.21	3676	95.0	2300/4000	39.1	1
	1200	5010	M50306LR-2340	43,298	LG	71.42	3683	94.7	2300/4000	40.3	1, 5
350	3600	5010	EM50352S-2340	43,766	LG	67.45	4780	95.0	2300/4000	45.2	1
	1800	5008	EM50354L-2340	44,000	LG	60.44	5325	95.0	2300/4000	45.5	1
	1200	5010	M50356LR-2340	49,383	LG	71.42	5060	94.8	2300/4000	46.5	1, 5
400	3600	5010	EM50402S-2340	48,213	LG	67.45	4780	95.0	2300/4000	50.4	1
	1800	5010	EM50404L-2340	47,745	LG	71.42	5325	95.3	2300/4000	52.4	1
	1200	5012	EM50406LR-2340	54,064	LG	79.44	5867	95.0	2300/4000	52.9	1, 5
450	3600	5010	EM50452S-2340	56,872	LG	67.45	4871	95.2	2300/4000	56.7	1
	1800	5010	EM50454L-2340	51,957	LG	71.42	5540	95.5	2300/4000	58.8	1
	1200	5012	EM50456LR-2340	62,021	LG	79.44	6000	95.1	2300/4000	59.5	1, 5
500	3600	5010	EM50502S-2340	62,021	LG	67.45	4920	95.4	2300/4000	63.0	1, 9
	1800	5012	EM50504L-2340	59,681	LG	79.42	5750	95.5	2300/4000	65.2	1
	1200	5012	EM50506LR-2340	70,915	LG	79.44	6069	95.3	2300/4000	64.4	1, 5, 7
600	3600	5010	EM50602S-2340	67,872	LG	79.00	5071	95.6	2300/4000	75.1	1, 7, 9
	1800	5012	EM50604L-2340	70,213	LG	79.42	5809	95.8	2300/4000	77.8	1
	1200	5810	EM58606LR-2340	78,404	LG	90.81	9460	95.7	2300/4000	78.9	1, 5
700	3600	5810	M58702S-2340	71,851	LG	95.59	8045	95.2	2300/4000	89.4	1, 9
	1800	5012	EM50704L-2340	77,234	LG	79.42	5867	96.1	2300/4000	90.4	1
800	3600	5810	EM58802S-2340	89,362	LG	95.59	8280	95.5	2300/4000	102.9	1, 9
	1800	5012	EM50804L-2340	89,872	LG	90.97	6100	95.8	2300/4000	102.2	1, 7, 9
900	1800	5810	EM58904L-2340	94,553	LG	90.81	10000	96.2	2300/4000	115.4	1
1000	1800	5810	EM581004L-2340	108,596	LG	102.27	10500	96.1	2300/4000	128.9	1, 9

(a) See notes on inside back flap.

■ Cast Iron Frame

* For use on VFD, it is highly recommended to insulate the drive end bearing and add a shaft grounding system in order to address concerns regarding shaft currents that may be imposed upon the motor by a VFD as defined in NEMA MG1, Part 31.4.4.3.

Motor is suitable for use on inverter only in conjunction with an isolation transformer or other common mode voltage elimination.

1.0 Service Factor and Class F rise when used on VFD..

All ratings are 1.00 service factor, Class B rise and 1.15 service factor, Class F rise at 40°C ambient.

Custom TEFC motors available through 2,250 Hp; Open and WPIL custom motors through 20,000 Hp.

Contact your Baldor•Reliance Sales Representative.

ABB Large AC Motor Capabilities Overview

Induction motors



- Ranging up to 23 MW / 30,000 Hp
- Standard ratings from 300 - 3600 rpm
- Shaft height 355 to 1120 mm
- Ranging up to 15kV
- Anti-friction and sleeve bearings available
- Horizontal and vertical design supported
- All main cooling types
- Motor designs for hazardous environment according to main Ex and NEC standards available
- All main DOL starting methods and VSD technology supported
- Slip ring motors available

Induction Motors – Output Ratings at Different Speeds

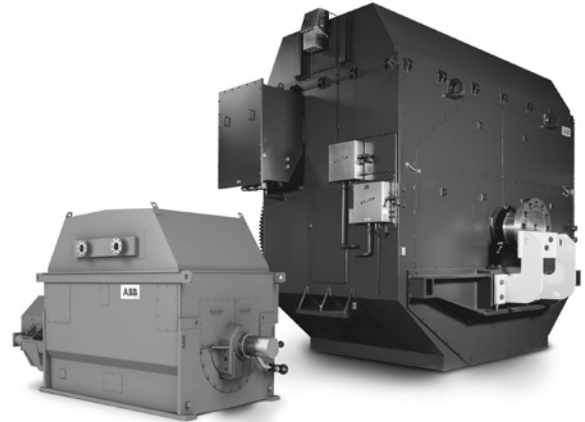
Output (kW)	Poles											
	2	4	6	8	10	12	14	16	18	20	22	24
500												
1,000												
1,250												
1,500												
1,750												
2,000												
2,250												
2,500												
2,750												
3,000												
4,000												
5,000												
6,000												
7,000												
8,000												
9,000												
10,000												
12,500												
15,000												
17,500												
20,000												
23,000												

Examples of output at 50 Hz

- = Cast Iron Frame HXR TE Note 1
- = Fabricated Steel Frame Note 1, 2
- = Fabricated Steel Frame (Induction and/or Slip Ring) Note 1, 2

- 1) Examples of output at 50 HZ
- 2) Fabricated steel frames available in smaller kW ratings as well

Synchronous motors



- Motors: Ranging up to 70 MW / 94,000 Hp
- Generators: Ranging up to 80 MVA
- 20 - 2000 rpm (also 2 pole available)
- Shaft height 710 - 2500 mm
- Ranging from 1 – 15kV. Motorformer design up to 60kV
- End-shield and pedestal mounted bearings
- Horizontal and vertical design supported
- All main cooling types
- Motor designs for hazardous environment according to main Ex standards available
- All main DOL starting methods and VSD technology supported

Synchronous Motors – Output Ratings at Different Speeds

Output (kW)	Fixed Speed Motors												
	Poles												
	4	6	8	10	12	14	16	18	20	22	24	26	28
5,000													
10,000													
15,000													
20,000													
25,000													
30,000													
35,000													
40,000													
45,000													
50,000													
55,000													
60,000													
65,000													
70,000													

1) Examples of output at 50 Hz at 1-15 kV

Fabricated Steel Frames

General Information

Single Phase Motors

General Purpose Industrial Motors

Severe Duty Motors

Large AC Motors

Washdown Duty Motors

Explosion Proof Motors

Pump Motors

HVAC Motors

Farm Duty Motors

BALDOR • RELIANCE**NEW!****Washdown Duty Motors****Single Phase,
Totally Enclosed,
Foot Mounted****1/2 thru 1 1/2 Hp****NEMA 56 thru 145T****IP55****Applications:** Single phase food processing applications where motors receive washdown on a regular basis.**Features:** 300 series stainless steel hardware, moisture sealant on bolt heads, between frame and endplates. Neoprene gaskets. Double sealed ball bearings. Lip and V-Ring seal on drive end. Stainless steel shaft extension. Electrostatically applied epoxy finish over autophoretic primer. Class F insulation.

Hp	RPM	NEMA Frame	Enclosure	Catalog Number	List Price	Mult. Sym.	"C" Dim.	Aprx. Wt. (lb)	Full Load Efficiency	Voltage	Full Load Amps	Notes (a)
1/2	1800	56	TEFC	WDL3504	592	WD	12.23	34	68	115/230	3.7	1, 12, 30
3/4	1800	56	TEFC	WDL3507	693	WD	12.23	35	68	115/230	5.5	1, 12, 30
1	1800	56	TEFC	WDL3510	801	WD	13.23	40	67	115/230	6.4	1, 30
	1800	143T	TEFC	WDL3510T	823	WD	13.30	41	67	115/230	6.4	1, 30
1 1/2	1800	145T	TEFC	WDL3514T	987	WD	14.18	49	80	115/230	6.2	1, 30

(a) See notes on inside back flap.

Red Catalog Number indicates **NEW** Product.**Single Phase,
Totally Enclosed,
C-Face****1/2 thru 1 1/2 Hp****NEMA 56C****IP55****Applications:** Single phase food processing applications where motors receive washdown on a regular basis.**Features:** 300 series stainless steel hardware, moisture sealant on bolt heads, between frame and endplates. Neoprene gaskets. Double sealed ball bearings. Lip and V-Ring seal on drive end. Stainless steel shaft extension. Electrostatically applied epoxy finish over autophoretic primer. Class F insulation.

Hp	RPM	NEMA Frame	Enclosure	Catalog Number	List Price	Mult. Sym.	"C" Dim.	Aprx. Wt. (lb)	Full Load Efficiency	Voltage	Full Load Amps	Notes (a)
Foot Mounted												
1/2	1800	56C	TEFC	CWDL3504	620	WD	12.23	35	68	115/230	3.7	1, 12, 30
3/4	1800	56C	TEFC	CWDL3507	721	WD	12.23	36	68	115/230	5.5	1, 12, 30
1	3600	56C	TEFC	CWDL3509	676	WD	12.23	37	68	115/230	5.9	1, 12, 30
	1800	56C	TEFC	CWDL3510	829	WD	13.23	41	67	115/230	6.4	1, 30
1 1/2	3600	56C	TEFC	CWDL3513	835	WD	13.23	41	70	115/230	8	1, 30
	1800	56C	TEFC	CWDL3514	993	WD	14.12	50	80	115/230	6.2	1, 30
Footless												
1/2	1800	56C	TEFC	VWDL3504	594	WD	12.25	35	68	115/230	3.7	1, 12, 30
3/4	1800	56C	TEFC	VWDL3507	698	WD	12.25	36	68	115/230	5.5	1, 12, 30
1	1800	56C	TEFC	VWDL3510	799	WD	13.25	42	67	115/230	6.4	1, 30
1 1/2	1800	56C	TEFC	VWDL3514	959	WD	14.10	48	80	115/230	6.2	1, 30

(a) See notes on inside back flap.

**Three Phase,
Totally Enclosed,
Foot Mounted**

1/2 thru 20 Hp

NEMA 56C thru 256T

IP55

Applications: Food processing and other applications where motors receive washdown on a regular basis.



Features: 300 series stainless steel hardware, moisture sealant on bolt heads, between frame and endplates. Neoprene gaskets. Double sealed ball bearings. Lip and V-Ring seal on drive end. Stainless steel shaft extension. Electrostatically applied epoxy finish over autophoretic primer. Class F insulation. Super-E® motors have NEMA Premium® efficiency and 3 year warranty.

Hp	RPM	NEMA Frame	Enclosure	Catalog Number	List Price	Mult. Sym.	"C" Dim.	Aprx. Wt. (lb)	Full Load Efficiency	Voltage	Full Load Amps	Notes (a)
1/2	1800	56	TENV	WDM3538	621	WD	11.06	27	80	230/460	0.8	1, 12, 30
3/4	1800	56	TENV	WDM3542	664	WD	11.06	30	78.5	230/460	1.4	1, 12, 30
1	1800	56	TENV	WDM3546	674	WD	11.06	33	82.5	208-230/460	1.5	1
		143T	TENV	EWDM3546T	927	WD	12.12	39	85.5	208-230/460	1.5	1
		143T	TENV	WDM3546T	696	WD	11.12	34	82.5	208-230/460	1.5	1
1 1/2	1800	145T	TENV	EWDM3554T	1,019	WD	13.00	49	86.5	208-230/460	2.1	1
		145T	TENV	WDM3554T	760	WD	12.12	40	85.5	208-230/460	2.3	1
2	1800	145T	TEFC	EWDM3558T	1,196	WD	13.29	46	86.5	208-230/460	2.9	1
3	1800	182T	TEFC	EWDM3611T	1,493	WD	16.54	73	89.5	208-230/460	4.2	1
5	1800	184T	TEFC	EWDM3615T	1,699	WD	18.04	90	89.5	208-230/460	6.7	1
7 1/2	1800	213T	TEFC	EWDM3710T	2,127	WD	19.04	129	91.7	230/460	9.4	1, 30
10	1800	215T	TEFC	EWDM3714T	2,317	WD	20.54	165	91.7	230/460	12	1
15	1800	254T	TEFC	EWDM23933T	4,997	WD	23.57	253	92.4	230/460	18	1, 30
20	1800	256T	TEFC	EWDM23934T	5,823	WD	23.57	280	93	208-230/460	24	1

(a) See notes on inside back flap.

Red Catalog Number indicates **NEW** Product.

General Information

Single Phase Motors

General Purpose Industrial Motors

Severe Duty Motors

Large AC Motors

Washdown Duty Motors

Explosion Proof Motors

Pump Motors

HVAC Motors

Farm Duty Motors

Three Phase,
Totally Enclosed,
C-Face, Foot Mounted

1/3 thru 20 Hp

NEMA 56C thru 256TC

IP55

Applications: Food processing and other applications where motors receive washdown on a regular basis.



Features: 300 series stainless steel hardware, moisture sealant on bolt heads, between frame and endplates. Neoprene gaskets. Double sealed ball bearings. Lip and V-Ring seal on drive end. Stainless steel shaft extension. Electrostatically applied epoxy finish over autophoretic primer. Class F insulation. Super-E® motors have NEMA Premium® efficiency and 3 year warranty.

Hp	RPM	NEMA Frame	Enclosure	Catalog Number	List Price	Mult. Sym.	"C" Dim.	Aprx. Wt. (lb)	Full Load Efficiency	Voltage	Full Load Amps	Notes (a)
1/3	3600	56C	TENV	CWDM3457	514	WD	10.25	20	72	208-230/460	0.7	1
	1800	56C	TENV	CWDM3534	541	WD	11.06	33	75.5	208-230/460	0.7	1
1/2	3600	56C	TENV	CWDM3537	604	WD	11.07	29	70	208-230/460	0.9	1, 12
	1800	56C	TENV	CWDM3538	654	WD	11.06	28	80	230/460	0.8	1, 12, 30
	1200	56C	TENV	CWDM3539	826	WD	12.06	37	78.5	208-230/460	1	1, 12
3/4	3600	56C	TENV	CWDM3541	633	WD	11.07	35	80	230/460	1.1	1, 12, 30
	1800	56C	TENV	CWDM3542	709	WD	11.07	29	78.5	230/460	1.4	1, 12, 30
	1200	56C	TENV	CWDM3543	997	WD	12.94	46	80	208-230/460	1.4	1
1	3600	56C	TEFC	CEWDM3545	1,039	WD	12.24	33	77	230/460	1.4	1, 12
		56C	TENV	CWDM3545	749	WD	11.07	33	75.5	230/460	1.6	12, 30
	1800	56C	TENV	CEWDM3546	1,044	WD	12.06	41	85.5	208-230/460	1.5	
		56C	TENV	CWDM3546	760	WD	11.06	34	82.5	208-230/460	1.5	1
		143TC	TENV	CEWDM3546T	1,065	WD	12.13	37	85.5	208-230/460	1.5	
		143TC	TENV	CWDM3546T	782	WD	12.12	36	82.5	208-230/460	1.5	1
1200	56C	TEFC	CEWDM3556	1,172	WD	13.24	43	82.5	208-230/460	1.8	1	
	56C	TEFC	CWDM3556	963	WD	12.24	36	78.5	208-230/460	1.9	1	
1 1/2	3600	56C	TENV	CEWDM3550	1,068	WD	12.07	46	85.5	208-230/460	2	1
		56C	TENV	CWDM3550	782	WD	12.94	50	82.5	208-230/460	2.1	1
	1800	56C	TEFC	CWDM3554	800	WD	12.24	36	81.5	208-230/460	2.3	1
		145TC	TENV	CEWDM3554T	1,115	WD	13.00	48	86.5	208-230/460	2.1	1
	145TC	TENV	CWDM3554T	823	WD	12.12	43	85.5	208-230/460	2.3		
		1200	56C	TEFC	CWDM3557	1,020	WD	14.12	46	80	208-230/460	2.5
2	3600	56HCY	TEFC	CEWDM3555	1,155	WD	13.24	35	85.5	208-230/460	2.5	1
		56HCY	TEFC	CWDM3555	885	WD	13.59	39	80	208-230/460	2.8	1
		145TC	TEFC	CEWDM3555T	1,178	WD	13.28	45	85.5	208-230/460	2.5	1
	1800	56C	TEFC	CWDM3558	883	WD	13.24	40	82.5	208-230/460	3	1
		145TC	TEFC	CEWDM3558T	1,229	WD	13.28	46	86.5	208-230/460	2.9	1
	145TC	TENV	CEWDM3558T	1,200	WD	14.37	54	88.5	208-230/460	2.7	1	
1200	184TC	TEFC	CEWDM3614T	1,441	WD	18.04	93	88.5	208-230/460	3.5	1	
3	3600	145TC	TEFC	CEWDM3559T	1,451	WD	14.17	60	86.5	208-230/460	3.6	1
		182TC	TEFC	CEWDM3610T	1,368	WD	15.18	57	86.5	208-230/460	3.6	1
	1800	182TC	TEFC	CEWDM3611T	1,614	WD	16.54	78	89.5	208-230/460	4.2	1
1200	213TC	TEFC	CEWDM3704T	1,899	WD	19.78	136	89.5	208-230/460	4.6	1	
5	3600	184TC	TEFC	CEWDM3613T	1,920	WD	16.54	80	88.5	208-230/460	5.9	1
	1800	184TC	TEFC	CEWDM3615T	1,829	WD	18.04	96	89.5	208-230/460	6.7	1
	1200	215TC	TEFC	CEWDM3708T	2,249	WD	20.53	161	89.5	208-230/460	7.3	1
7 1/2	3600	184TC	TEFC	CEWDM3616T	2,282	WD	18.04	101	89.5	208-230/460	8.4	1
		213TC	TEFC	CEWDM3709T	2,705	WD	18.64	143	89.5	208-230/460	9	1
	1800	213TC	TEFC	CEWDM3710T	2,314	WD	19.78	132	91.7	230/460	9.4	1, 30
	1200	254TC	TEFC	CEWDM22976T	3,861	WD	23.57	280	91	208-230/460	11	1
10	3600	215TC	TEFC	CEWDM3711T	2,977	WD	18.64	122	90.2	208-230/460	11.8	1
	1800	215TC	TEFC	CEWDM3714T	2,630	WD	21.27	165	91.7	230/460	12	1
	1200	256TC	TEFC	CEWDM23932T	4,389	WD	23.57	289	91	208-230/460	15.1	1
15	3600	215TC	TEFC	CEWDM3713T	3,741	WD	21.26	170	91	208-230/460	17	1
		254TC	TEFC	CEWDM23994T	5,255	WD	21.94	188	91	230/460	16.6	1, 30
	1800	254TC	TEFC	CEWDM23933T	5,172	WD	23.57	256	92.4	230/460	18	1, 30
20	3600	256TC	TEFC	CEWDM41906T	6,031	WD	23.57	274	91	230/460	23	1
	1800	256TC	TEFC	CEWDM23934T	5,998	WD	23.57	283	93	208-230/460	24	1

(a) See notes on inside back flap. Red Catalog Number indicates NEW Product.

Three Phase,
Totally Enclosed,
C-Face, Footless

1/3 thru 10 Hp

NEMA 56C thru 215TC

IP55

Applications: Food processing and other applications where motors receive washdown on a regular basis.



Features: 300 series stainless steel hardware, moisture sealant on bolt heads, between frame and endplates. Neoprene gaskets. Double sealed ball bearings. Lip and V-Ring seal on drive end. Stainless steel shaft extension. Electrostatically applied epoxy finish over autophoretic primer. Class F insulation. Super-E® motors have NEMA Premium® efficiency and 3 year warranty.

Hp	RPM	NEMA Frame	Enclosure	Catalog Number	List Price	Mult. Sym.	"C" Dim.	Aprx. Wt. (lb)	Full Load Efficiency	Voltage	Full Load Amps	Notes (a)
1/3	3600	56C	TENV	VWDM3457	493	WD	10.26	20	72	208-230/460	0.7	1
	1800	56C	TENV	VWDM3534	519	WD	11.06	33	75.5	208-230/460	0.7	1
1/2	1800	56C	TENV	VEWDM3538	868	WD	11.06	20	84	208-230/460	0.9	
		56C	TEFC	VFWDM3538	678	WD	12.24	29	80	230/460	0.8	1, 12, 30
		56C	TENV	VWDM3538	649	WD	11.06	29	80	230/460	0.8	1, 12, 30
3/4	1800	56C	TENV	VEWDM3542	955	WD	11.06	32	84	230/460	1.1	1, 12
		56C	TEFC	VFWDM3542	733	WD	12.24	31	78.5	230/460	1.4	1, 12, 30
		56C	TENV	VWDM3542	705	WD	11.06	33	80	230/460	1.2	1, 12
1	1800	56C	TENV	VEWDM3546	1,034	WD	12.06	40	85.5	208-230/460	1.5	
		56C	TENV	VWDM3546	755	WD	11.06	35	82.5	208-230/460	1.5	1
		143TC	TEFC	VEWDM3546T	1,070	WD	12.30	36	85.5	208-230/460	1.5	1
		143TC	TENV	VEWDM3546T	1,042	WD	12.12	40	85.5	208-230/460	1.5	
		143TC	TENV	VWDM3546T	776	WD	11.12	34	82.5	208-230/460	1.5	1
1 1/2	1800	56C	TENV	VEWDM3554	1,110	WD	12.94	48	86.5	208-230/460	2.1	1
		56C	TENV	VWDM3554	795	WD	12.07	41	85.5	208-230/460	2.3	
		145TC	TEFC	VEWDM3554T	1,148	WD	13.28	43	86.5	208-230/460	2.2	1
		145TC	TENV	VEWDM3554T	1,119	WD	13.00	48	86.5	208-230/460	2.1	1
		145TC	TENV	VWDM3554T	815	WD	12.13	43	85.5	208-230/460	2.3	
2	1800	56C	TEFC	VEWDM3558	1,181	WD	13.22	46	86.5	208-230/460	2.9	1
		56C	TEFC	VWDM3558	844	WD	13.22	40	82.5	208-230/460	3	1
		145TC	TEFC	VEWDM3558T	1,204	WD	13.28	47	86.5	208-230/460	2.9	1
		145TC	TEFC	VWDM3558T	926	WD	13.28	41	84	208-230/460	3.1	1
3	3600	56C	TEFC	VWDM3559	1,084	WD	14.12	49	85.5	208-230/460	3.7	1
	1800	145TC	TEFC	VWDM3561T	1,323	WD	15.53	60	87.5	208-230/460	4.2	1
		182TC	TEFC	VEWDM3611T	1,513	WD	16.54	73	89.5	208-230/460	4.2	1
		182TC	TEFC	VWDM3611T	1,217	WD	16.56	62	87.5	208-230/460	4.2	1
5	1800	184TC	TEFC	VEWDM3615T	1,715	WD	18.05	89	89.5	208-230/460	6.7	1
		184TC	TEFC	VWDM3615T	1,520	WD	16.54	76	87.5	208-230/460	6.8	1
7 1/2	1800	213TC	TEFC	VEWDM3710T	2,294	WD	19.78	121	91.7	230/460	9.4	1, 30
		213TC	TEFC	VWDM3710T	1,737	WD	18.63	110	89.5	208-230/460	10.1	1
10	1800	215TC	TEFC	VEWDM3714T	2,465	WD	21.27	165	91.7	208-230/460	12	1
		215TC	TEFC	VWDM3714T	1,981	WD	19.78	129	89.5	208-230/460	13.5	1

(a) See notes on inside back flap.

Red Catalog Number indicates NEW Product.

General Information

Single Phase Motors

General Purpose Industrial Motors

Severe Duty Motors

Large AC Motors

Washdown Duty Motors

Explosion Proof Motors

Pump Motors

HVAC Motors

Farm Duty Motors

BALDOR • RELIANCE**Washdown Duty Motors****Three Phase,
Totally Enclosed,
C-Face, 575V****1/2 thru 20 Hp****NEMA 56C thru 256TC****IP55****Applications:** Food processing and other applications where motors receive washdown on a regular basis.**Features:** 300 series stainless steel hardware, moisture sealant on bolt heads, between frame and endplates. Neoprene gaskets. Double sealed ball bearings. Lip and V-Ring seal on drive end. Stainless steel shaft extension. Electrostatically applied epoxy finish over autophoretic primer. Class F insulation. Super-E® motors have NEMA Premium® efficiency and 3 year warranty.

Hp	RPM	NEMA Frame	Enclosure	Catalog Number	List Price	Mult. Sym.	"C" Dim.	Aprx. Wt. (lb)	Full Load Efficiency	Voltage	Full Load Amps	Notes (a)
Foot Mounted												
1/2	1800	56C	TENV	CWDM3538-5	654	WD	11.07	26	80	575	0.7	1, 12
3/4	1800	56C	TENV	CWDM3542-5	709	WD	11.06	35	78.5	575	1.1	1, 12
1	1800	56C	TENV	CEWDM3546-5	1,044	WD	12.06	39	85.5	575	1.2	
		56C	TENV	CWDM3546-5	760	WD	11.06	35	82.5	575	1.2	1
		143TC	TENV	CWDM3546T-5	1,065	WD	12.12	38	85.5	575	1.2	
1 1/2	1800	56C	TEFC	CWDM3554-5	800	WD	13.24	40	84	575	1.9	1
		145TC	TENV	CEWDM3554T-5	1,115	WD	13.00	46	86.5	575	1.7	1
		145TC	TENV	CWDM3554T-5	823	WD	12.12	42	85.5	575	1.8	
2	1800	56C	TEFC	CWDM3558-5	883	WD	13.24	39	84	575	2.5	1
		145TC	TEFC	CEWDM3558T-5	1,229	WD	13.28	46	86.5	575	2.3	1
3	3600	145TC	TEFC	CEWDM3559T-5	1,451	WD	14.17	52	86.5	575	2.9	1
	1800	182TC	TEFC	CEWDM3611T-5	1,614	WD	16.54	77	89.5	575	3.3	1
5	3600	184TC	TEFC	CEWDM3613T-5	1,920	WD	16.54	70	88.5	575	4.7	1
	1800	184TC	TEFC	CEWDM3615T-5	1,829	WD	18.04	94	89.5	575	5.3	1
7 1/2	1800	213TC	TEFC	CEWDM3710T-5	2,314	WD	19.78	195	91.7	575	7.6	1
10	1800	215TC	TEFC	CEWDM3714T-5	2,630	WD	21.27	165	91.7	575	9.6	1
15	1800	254TC	TEFC	CEWDM23933T-5	5,172	WD	23.57	258	92.4	575	14.5	1
20	1800	256TC	TEFC	CEWDM23934T-5	5,998	WD	23.57	289	93	575	19	1
Footless												
1/2	1800	56C	TENV	VWDM3538-5	649	WD	11.06	28	80	575	0.7	1, 12
3/4	1800	56C	TENV	VWDM3542-5	705	WD	11.06	32	80	575	0.9	1, 12
1	1800	56C	TENV	VWDM3546-5	755	WD	11.06	33	82.5	575	1.2	1
1 1/2	1800	145TC	TENV	VWDM3554T-5	815	WD	12.12	42	85.5	575	1.8	
2	1800	145TC	TEFC	VWDM3558T-5	926	WD	13.28	41	84	575	2.5	1

(a) See notes on inside back flap.

Red Catalog Number indicates **NEW** Product.

Feather Picker Motor, Three Phase, TEFC, Encapsulated, Design C, Foot Mounted



1 1/2 thru 3 Hp

NEMA 145T thru 184TZ

IP56

Applications: Poultry processing plants. Designed for use on equipment used to remove feathers from poultry.

Features: Labyrinth seal on each end of motor provides an added level of protection from washdown spray. Motor windings are epoxy encapsulated for added moisture protection. Moisture resistant insulation system. Top mounted F-3 conduit box for easy connections. Neoprene gaskets. Stainless steel shaft extension, external hardware and nameplate. Double sealed ball bearings with moisture-resistant grease.

Hp	RPM	NEMA Frame	Catalog Number	List Price	Mult. Sym.	"C" Dim.	Aprx. Wt. (lb)	Full Load Efficiency	Voltage	Full Load Amps	Notes (a)
1 1/2	1200	145TY	WDM3553TP-9	1,316	WD	15.62	45	85.5	208-230/460	2.7	1
2	1800	145T	WDM3558TP-9	1,185	WD	13.37	41	84	230/460	3.1	1, 30
	1200	184TZ	WDM3663TP-9	1,477	WD	16.29	90	86.5	230/460	3.4	1, 30
3	1800	145T	WDM3561TP-9	1,455	WD	15.62	63	87.5	230/460	4	1, 30
		145TY	WDM3563TP-9	1,455	WD	15.62	63	87.5	230/460	4	1, 30

(a) See notes on inside back flap.

Feather Picker Motor, Three Phase, TEFC, Encapsulated, Design C, C-Face Foot Mounted



3 Hp

NEMA 145TC

IP56

Applications: Poultry processing plants. Designed for use on equipment used to remove feathers from poultry.

Features: Labyrinth seal on each end of motor provides an added level of protection from washdown spray. Motor windings are epoxy encapsulated for added moisture protection. Moisture resistant insulation system. Top mounted F-3 conduit box for easy connections. Neoprene gaskets. Stainless steel shaft extension, external hardware and nameplate. Double sealed ball bearings with moisture-resistant grease.

Hp	RPM	NEMA Frame	Catalog Number	List Price	Mult. Sym.	"C" Dim.	Aprx. Wt. (lb)	Full Load Efficiency	Voltage	Full Load Amps	Notes (a)
3	1800	145TC	CWDM3561TP-9	1,493	WD	15.62	66	87.5	230/460	4	1, 30

(a) See notes on inside back flap.

General Information

Single Phase Motors

General Purpose Industrial Motors

Severe Duty Motors

Large AC Motors

Washdown Duty Motors

Explosion Proof Motors

Pump Motors

HVAC Motors

Farm Duty Motors

BALDOR • RELIANCE**NEW!****Washdown Duty Motors****Super White Washdown 1 thru 20 Hp****NEMA 56C thru 256TC****IP56****Three Phase,
TEFC, C-Face,
Foot Mounted****Applications:** Wet or humid environments in food and beverage processing facilities in which equipment is cleaned on a regular basis.**Features:** Labyrinth seal on each end of motor provides an added level of protection from washdown spray, same size bearings on each end of motor, easily removable drain plugs, 300 series stainless steel shaft and hardware, lead-sealing neoprene gaskets. Class F insulated motor with 1.15 service factor or higher that operates within class "B" temperature limits at rated horsepower. All models are NEMA Premium® Efficient, Super-E® designs with 3 year warranty.

Hp	RPM	NEMA Frame	Catalog Number	List Price	Mult. Sym.	"C" Dim.	Aprx. Wt. (lb)	Full Load Efficiency	Voltage	Full Load Amps	Notes (a)
1	3600	56C	CEWWD3545	1,112	WD	12.35	34	77	230/460	1.4	1, 12
	1800	56C	CFWWD3546	1,146	WD	12.35	37	85.5	208-230/460	1.5	1
		143TC	CFWWD3546T	1,170	WD	13.28	38	85.5	208-230/460	1.5	1
1.5	3600	56C	CFWWD3550	1,230	WD	13.35	46	85.5	208-230/460	2	1
	1800	145TC	CFWWD3554T	1,253	WD	13.28	43	86.5	208-230/460	2.2	1
2	3600	56HCY	CEWWD3555	1,236	WD	13.32	41	85.5	208-230/460	2.5	1
		145TC	CEWWD3555T	1,261	WD	13.28	41	85.5	208-230/460	2.5	1
3	3600	145TC	CEWWD3559T	1,553	WD	14.17	61	86.5	208-230/460	3.6	1
		182TC	CEWWD3610T	1,464	WD	16.54	75	88.5	208-230/460	3.4	1
5	3600	182TC	CEWWD3611T	1,727	WD	16.54	81	89.5	208-230/460	4.2	1
		184TC	CEWWD3613T	2,055	WD	16.54	83	88.5	208-230/460	5.9	1
7.5	3600	184TC	CEWWD3615T	1,958	WD	18.04	97	89.5	208-230/460	6.7	1
		213TC	CEWWD3616T	2,442	WD	18.04	104	89.5	208-230/460	8.4	1
10	3600	213TC	CEWWD3709T	2,895	WD	18.64	121	89.5	208-230/460	9	1
		215TC	CEWWD3710T	2,476	WD	19.78	127	91.7	230/460	9.4	1, 30
15	3600	215TC	CEWWD3711T	3,186	WD	18.64	118	90.2	208-230/460	11.8	1
		215TC	CEWWD3714T	2,815	WD	21.27	165	91.7	230/460	12	1
20	3600	215TC	CEWWD3713T	4,003	WD	21.26	169	91	208-230/460	17	1
		254TC	CEWWD23994T	5,623	WD	23.57	240	91	230/460	16.7	1
20	1800	254TC	CEWWD23933T	5,535	WD	23.57	255	92.4	230/460	18	1, 30
		256TC	CEWWD41906T	6,454	WD	23.57	260	91	230/460	23	1
20	1800	256TC	CEWWD23934T	6,418	WD	23.57	286	93	208-230/460	24	1

(a) See notes on inside back flap.

Washdown Lead Connection KitsWirenut Kit
WD5600A01SP*Sleeving Kits
WD5601A01SP & A02SP**Applications:** Food processing and other applications where motors are exposed to moisture and humidity.**Features:** Choice of silicone injected wirenuts (WD5600A01SP*) or lead sleeving kits (WD5601A01SP & A02SP). These kits provide an extra level of protection against moisture ingress which can be common in food processing applications.

Catalog Number	List Price	Mult. Sym.	Wire Range	Aprx. Wt. (lb)
WD5600A01SP	35	A8	#22 - #8 AWG	1
WD5601A01SP	15	A8	#18 - #14 AWG	1
WD5601A02SP	20	A8	#12 - #10 AWG	1

*WD5600A01SP is provided as standard for SSE Stainless Encapsulated Motors

**Brake Motor,
Three Phase,
Totally Enclosed,
C-Face,
Foot Mounted**

1/2 thru 5 Hp

NEMA 56C thru 184TC

IP55

Applications: Food processing and other applications where motors receive washdown on a regular basis.

Features: Class F insulated motor with 1.15 service factor or higher that operates within class “B” temperature limits at rated horsepower. Standard NEMA BA dimension, 300 series stainless steel hardware, moisture sealant on bolt heads, between frame and end plates. Neoprene gaskets. Power off manual release. Resets automatically. Motors have NEMA Premium® Efficiency and are inverter-ready. 230/460V brakes are connected in conduit box allowing for separate connection when used with an inverter.



Hp	RPM	NEMA Frame	Enclosure	Catalog Number	List Price	Mult. Sym.	“C” Dim.	Aprx. Wt. (lb)	Full Load Efficiency	Voltage	Full Load Amps	Brake Rating (b)	Notes (a)
1/2	1800	56C	TENV	CEWDBM3538	2,025	WD	15.31	42	84	208-230/460	0.9	3	12, 41
3/4	1800	56C	TENV	CEWDBM3542	2,188	WD	15.31	42	84	230/460	1.1	6	12, 30, 41
1	1800	56C	TENV	CEWDBM3546	2,246	WD	16.31	50	85.5	208-230/460	1.5	6	41
		143TC	TENV	CEWDBM3546T	2,269	WD	16.81	51	85.5	208-230/460	1.5	6	41
1 1/2	1800	145TC	TENV	CEWDBM3554T	2,444	WD	18.14	61	86.5	208-230/460	2.1	10	41
2	1800	145TC	TEFC	CEWDBM3558T	2,487	WD	18.56	60	86.5	208-230/460	2.9	10	41
3	1800	182TC	TEFC	CEWDBM3611T	3,009	WD	21.80	93	89.5	208-230/460	4.2	15	41
5	1800	184TC	TEFC	CEWDBM3615T	3,635	WD	23.30	110	89.5	208-230/460	6.7	25	42

(a) See notes on inside back flap.

(b) Brake torque rating in lb-ft.

**Jet Pump,
Three Phase,
TEFC, C-Face**

3/4 thru 3 Hp

NEMA 56J

IP55

Applications: Industrial pumping applications in wet or humid environments, especially in food and beverage processing facilities in which equipment is cleaned on a regular basis.

Features: 300 series stainless steel shaft and hardware. Contact lip seal and V-ring slinger on drive end, easily removable drain plugs for thorough drainage, neoprene gaskets, precision die cast aluminum rotor coated with epoxy primer. Double-sealed ball bearings with moisture-resistant grease. White epoxy exterior paint.



Hp	RPM	NEMA Frame	Catalog Number	List Price	Mult. Sym.	“C” Dim.	Aprx. Wt. (lb)	Full Load Efficiency	Voltage	Full Load Amps	Notes (a)
Footless											
3/4	3600	56J	JWDM3463	634	WD	12.73	33	68	208-230/460	1.4	1
1	3600	56J	JWDM3545	769	WD	12.73	35	72	208-230/460	2	1
1 1/2	3600	56J	JWDM3550	802	WD	12.73	38	75.5	208-230/460	2.4	1
2	3600	56J	JWDM3555	905	WD	13.73	43	80	230/460	2.7	30
3	3600	56J	JWDM3559	1,109	WD	13.73	48	82.5	208-230/460	3.8	1
Foot Mounted											
3/4	3600	56J	CJWDM3463	639	WD	12.72	33	68	208-230/460	1.4	1
1	3600	56J	CJWDM3545	774	WD	12.72	35	72	208-230/460	2	1
1 1/2	3600	56J	CJWDM3550	807	WD	12.72	38	75.5	208-230/460	2.4	1
2	3600	56J	CJWDM3555	910	WD	13.73	43	80	230/460	2.7	30
3	3600	56J	CJWDM3559	1,114	WD	13.73	48	82.5	208-230/460	3.8	1

(a) See notes on inside back flap.

Red Catalog Number indicates **NEW** Product.

BALDOR • RELIANCE®

Close-Coupled Pump, 1 thru 15 Hp NEMA 143JM thru 215JM
Three Phase, Totally Enclosed

IP55

Applications: Commercial and industrial water pumps, food processing and applications in which equipment is cleaned on a regular basis.



Features: Over-sized ball bearings with locked drive end construction for minimum shaft movement. Moisture sealant on bolt heads, between frame and endplates. Neoprene gaskets. Contact lip seal and V-ring slinger on drive end. Stainless steel shaft extension. Electrostatic epoxy coating.

Hp	RPM	NEMA Frame	Enclosure	Catalog Number	List Price	Mult. Sym.	"C" Dim.	Aprx. Wt. (lb)	Full Load Efficiency	Voltage	Full Load Amps	Notes (a)
1	1800	143JM	TENV	JMWDM3546T	954	WD	14.25	39	82.5	208-230/460	1.5	1
	3600	143JM	TEFC	JMWDM3550T	998	WD	15.43	42	82.5	208-230/460	2.1	1
1 1/2	1800	145JM	TENV	JMWDM3554T	998	WD	14.25	46	85.5	208-230/460	2.3	2
	3600	145JM	TEFC	JMWDM3555T	1,110	WD	15.43	47	84	208-230/460	2.6	1
2	1800	145JM	TEFC	JMWDM3558T	1,044	WD	15.43	45	84	208-230/460	3.1	1
	3600	145JM	TEFC	JMWDM3559T	1,249	WD	16.34	53	85.5	208-230/460	3.7	1
3	1800	182JM	TEFC	JMWDM3611T	1,249	WD	18.22	67	87.5	208-230/460	4.2	1
	3600	184JM	TEFC	JMWDM3613T	1,601	WD	18.05	79	87.5	208-230/460	5.8	1
5	1800	184JM	TEFC	JMWDM3615T	1,398	WD	18.05	89	87.5	208-230/460	6.8	1
	3600	184JM	TEFC	JMWDM3616T	1,814	WD	19.55	96	88.5	208-230/460	8.7	1
7 1/2	1800	213JM	TEFC	JMWDM3710T	1,787	WD	19.78	125	89.5	208-230/460	10.1	1
	3600	215JM	TEFC	JMWDM3711T	2,438	WD	19.78	134	89.5	208-230/460	11.5	1
10	1800	215JM	TEFC	JMWDM3714T	2,257	WD	20.91	136	89.5	208-230/460	13.5	1
	3600	215JM	TEFC	JMWDM3713T	2,904	WD	21.66	160	90.2	208-230/460	17	1

(a) See notes on inside back flap.

SSE Super-E Stainless Steel, Close-Coupled Pump, Three Phase, Totally Enclosed, Encapsulated

1 thru 10 Hp NEMA 143JM thru 215JM

IP56

IP69K for Water

Applications: Commercial and industrial water pumps, food processing and applications that expose the motor to high pressure washdown.



Features: Stainless steel motor frame, endplates, conduit box, shaft and base. Moisture resistant insulation system. Endplate rabbets have O-ring seals. Conduit box is welded to the motor frame. Patented bearing seal to protect motor bearings. Epoxy encapsulation, Class H insulation. Laser etched nameplate. NEMA Premium® efficiency. 3 year warranty.

Hp	RPM	NEMA Frame	Enclosure	Catalog Number	List Price	Mult. Sym.	"C" Dim.	Aprx. Wt. (lb)	Full Load Efficiency	Voltage	Full Load Amps	Notes (a)
1	1800	143JM	TENV	JMSSEWDM3546T	1,805	WD	14.94	62	87.5	208-230/460	1.5	
	3600	143JM	TENV	JMSSEWDM3550T	1,809	WD	15.82	68	85.5	208-230/460	1.8	
1 1/2	1800	145JM	TEFC	JMSSEWDM3554T	1,820	WD	16.96	69	88.5	208-230/460	2.2	
	3600	145JM	TEFC	JMSSEWDM3555T	2,138	WD	16.96	72	86.5	208-230/460	2.5	
2	1800	145JM	TEFC	JMSSEWDM3558T	2,168	WD	18.34	74	88.5	208-230/460	2.7	
	3600	145JM	TEFC	JMSSEWDM3559T	2,568	WD	18.34	83	86.5	208-230/460	3.7	
3	1800	182JM	TEFC	JMSSEWDM3611T	2,696	WD	19.73	108	89.5	230/460	4.2	30
	3600	184JM	TEFC	JMSSEWDM3613T	2,904	WD	18.23	104	89.5	208-230/460	5.6	
5	1800	184JM	TEFC	JMSSEWDM3615T	2,924	WD	19.73	121	89.5	208-230/460	6.5	
	3600	213JM	TEFC	JMSSEWDM3709T	3,423	WD	21.56	184	91	208-230/460	8.3	
7 1/2	1800	213JM	TEFC	JMSSEWDM3710T	3,487	WD	22.75	135	91.7	208-230/460	9.5	
	3600	215JM	TEFC	JMSSEWDM3711T	3,838	WD	22.75	154	91.7	208-230/460	10.6	
10	1800	215JM	TEFC	JMSSEWDM3714T	4,049	WD	24.19	187	92.4	208-230/460	12.5	

(a) See notes on inside back flap.

General Information

Single Phase Motors

General Purpose Industrial Motors

Severe Duty Motors

Large AC Motors

Washdown Duty Motors

Explosion Proof Motors

Pump Motors

HVAC Motors

Farm Duty Motors

Paint-Free,
Three Phase,
Totally Enclosed,
C-Face

1/2 thru 10 Hp

NEMA 56C thru 215TC

IP55

Applications: Food processing, packaging and outdoor applications.



Features: Sealed ball bearings with moisture-resistant grease. Rotating non-contact labyrinth seal on output shaft extension. Moisture resistant insulation system. Neoprene gaskets. Special processed cast endplates. 300 series stainless steel motor frame, base, shaft and hardware. No exterior paint. Super-E® motors have NEMA Premium® efficiency and 3 year warranty.

Hp	RPM	NEMA Frame	Enclosure	Catalog Number	List Price	Mult. Sym.	"C" Dim.	Aprx. Wt. (lb)	Full Load Efficiency	Voltage	Full Load Amps	Notes (a)
Foot Mounted												
1/2	3600	56C	TENV	CSWDM3537	731	WD	11.06	29	70	208-230/460	0.9	2
	1800	56C	TENV	CSWDM3538	715	WD	11.06	27	80	230/460	0.8	1, 12, 30
	1200	56C	TENV	CSWDM3539	1,000	WD	12.06	38	78.5	208-230/460	1	1, 12
3/4	3600	56C	TENV	CSWDM3541	767	WD	11.06	36	80	208-230/460	1.1	1, 12
	1800	56C	TENV	CSWDM3542	825	WD	11.06	30	78.5	230/460	1.4	1, 12, 30
	1200	56C	TENV	CSWDM3543	1,207	WD	12.94	47	81.5	208-230/460	1.4	
1	3600	56C	TENV	CSWDM3545	907	WD	11.06	27	82.5	208-230/460	1.3	1, 12
		56C	TENV	CESWDM3546	1,150	WD	12.06	40	85.5	208-230/460	1.5	
		56C	TENV	CSWDM3546	854	WD	11.06	34	82.5	208-230/460	1.5	1
	1200	56C	TEFC	CSWDM3556	1,166	WD	12.24	45	77	208-230/460	1.7	
1 1/2	3600	56C	TENV	CSWDM3550	947	WD	12.94	51	82.5	208-230/460	2.1	
		56C	TENV	CSWDM3554	894	WD	12.06	42	85.5	208-230/460	2.3	
		145TC	TENV	CESWDM3554T	1,205	WD	13.00	50	86.5	208-230/460	2.1	1
	1200	56C	TEFC	CSWDM3557	1,234	WD	14.12	47	80	208-230/460	2.5	
2	3600	145TC	TEFC	CESWDM3555T	1,427	WD	14.16	52	86.5	208-230/460	2.5	1
		56C	TEFC	CSWDM3558	1,101	WD	13.24	44	86.5	208-230/460	2.9	1
		145TC	TEFC	CESWDM3558T	1,479	WD	15.54	56	88.5	208-230/460	2.8	1
3	3600	145TC	TEFC	CESWDM3559T	1,756	WD	15.54	62	86.5	208-230/460	3.6	1
	1800	182TC	TEFC	CESWDM3611T	1,809	WD	16.56	79	89.5	208-230/460	4	1
5	3600	184TC	TEFC	CESWDM3613T	2,227	WD	18.06	88	90.2	208-230/460	5.7	
	1800	184TC	TEFC	CESWDM3615T	2,105	WD	18.06	92	89.5	208-230/460	6.7	1
7 1/2	3600	213TC	TEFC	CESWDM3709T	2,811	WD	18.68	134	91	208-230/460	8.3	
	1800	213TC	TEFC	CESWDM3710T	2,590	WD	19.81	135	91.7	230/460	9.5	1
10	3600	215TC	TEFC	CESWDM3711T	3,116	WD	19.81	154	91.7	208-230/460	10.6	
	1800	215TC	TEFC	CESWDM3714T	2,947	WD	21.31	165	91.7	230/460	12	1
Footless												
1/2	1800	56C	TENV	VSWDM3538	707	WD	11.06	28	80	230/460	0.8	1, 12, 30
3/4	1800	56C	TENV	VSWDM3542	818	WD	11.06	31	78.5	230/460	1.4	1, 12, 30
1	1800	56C	TENV	VESWDM3546	1,095	WD	12.06	39	85.5	208-230/460	1.5	
		56C	TENV	VSWDM3546	849	WD	11.06	34	82.5	208-230/460	1.5	1
		143TC	TENV	VSWDM3546T	849	WD	11.12	34	82.5	208-230/460	1.5	1
1 1/2	1800	56C	TENV	VESWDM3554	1,192	WD	12.95	47	86.5	208-230/460	2.1	1
		56C	TENV	VSWDM3554	890	WD	12.06	41	85.5	208-230/460	2.3	
		145TC	TENV	VESWDM3554T	1,192	WD	13.00	49	86.5	208-230/460	2.1	1
2	1800	145TC	TEFC	VESWDM3558T	1,361	WD	15.56	55	88.5	208-230/460	2.8	1
		145TC	TEFC	VSWDM3558T	1,093	WD	13.31	42	84	208-230/460	3.1	1

(a) See notes on inside back flap.

General Information

Single Phase Motors

General Purpose Industrial Motors

Severe Duty Motors

Large AC Motors

Washdown Duty Motors

Explosion Proof Motors

Pump Motors

HVAC Motors

Farm Duty Motors

**Stainless Steel,
Three Phase,
Totally Enclosed,
C-Face,
Foot Mounted**

1/3 thru 20 Hp

NEMA 56C thru 256TC

IP56

Applications: Food processing, packaging, outdoor and highly corrosive environments.

Features: All external surfaces are 300 series stainless steel: motor frame, endplates, conduit box, shaft and base. Moisture resistant insulation system. Four condensate drains in each endplate. Endplate rabbets sealed and conduit box gasketed. Labyrinth seals each end. Especially effective in highly corrosive environments where paint or other finishes do not hold up. Super-E® motors have NEMA Premium® efficiency and 3 year warranty.



Hp	RPM	NEMA Frame	Enclosure	Catalog Number	List Price	Mult. Sym.	"C" Dim.	Aprx. Wt. (lb)	Full Load Efficiency	Voltage	Full Load Amps	Notes (a)
230/460 Volt												
1/3	3600	56C	TENV	CSSWDM3457	1,054	WD	11.09	33	74	208-230/460	0.6	1
	1800	56C	TENV	CSSWDM3534	1,109	WD	11.09	33	75.5	208-230/460	0.7	1
1/2	3600	56C	TENV	CSSWDM3537	1,245	WD	11.09	36	70	208-230/460	0.9	1
	1800	56C	TENV	CSSWDM3538	1,336	WD	11.09	37	80	208-230/460	0.9	1, 12
3/4	3600	56C	TENV	CSSWDM3541	1,287	WD	11.09	43	80	230/460	1.1	1, 12, 30
	1800	56C	TENV	CSSWDM3542	1,383	WD	11.09	42	82.5	208-230/460	1.1	1, 12
1	3600	56C	TENV	CSSWDM3545	1,411	WD	11.09	40	82.5	230/460	1.3	1, 12, 30
	1800	56C	TENV	CSSWDM3546	1,420	WD	11.09	47	85.5	208-230/460	1.5	
		143TC	TEFC	CESSWDM3546T	1,426	WD	13.42	52	87.5	208-230/460	1.5	1
1 1/2	3600	56C	TENV	CESSWDM3550	1,419	WD	12.97	56	85.5	208-230/460	1.8	1
		143TC	TENV	CESSWDM3550T	1,431	WD	13.23	60	85.5	208-230/460	1.8	1
	1800	56C	TEFC	CSSWDM3554	1,452	WD	13.34	49	84	208-230/460	2.4	1
		145TC	TEFC	CESSWDM3554T	1,453	WD	13.42	55	87.5	208-230/460	2.1	1
2	3600	145TC	TEFC	CESSWDM3555T	1,734	WD	14.30	64	86.5	208-230/460	2.5	1
	1800	56C	TEFC	CSSWDM3558	1,765	WD	13.34	54	86.5	208-230/460	2.9	1
		145TC	TEFC	CESSWDM3558T	1,746	WD	15.67	64	88.5	208-230/460	2.8	1
3	3600	145TC	TEFC	CESSWDM3559T	2,089	WD	15.67	74	86.5	208-230/460	3.7	1
		182TC	TEFC	CESSWDM3610T	2,231	WD	16.82	90	88.5	208-230/460	3.7	1
	1800	182TC	TEFC	CESSWDM3611T	2,041	WD	18.32	94	89.5	230/460	4.2	1, 30
5	3600	184TC	TEFC	CESSWDM3613T	2,374	WD	18.32	106	90.2	230/460	5.7	30
	1800	184TC	TEFC	CESSWDM3615T	2,297	WD	18.32	112	89.5	230/460	6.5	
7 1/2	3600	213TC	TEFC	CESSWDM3709T	2,786	WD	19.03	166	91	230/460	8.3	1, 30
	1800	213TC	TEFC	CESSWDM3710T	2,873	WD	20.16	137	91.7	230/460	9.5	1
10	3600	215TC	TEFC	CESSWDM3711T	3,109	WD	20.16	184	91.7	208-230/460	10.6	1
	1800	215TC	TEFC	CESSWDM3714T	3,169	WD	21.66	190	92.4	230/460	12.5	1, 30
15	3600	254TC	TEFC	CESSWDM23994T	6,345	WD	24.67	293	91	208-230/460	16.5	1
	1800	254TC	TEFC	CESSWDM23933T	6,245	WD	24.67	293	92.4	230/460	17.7	1, 30
20	3600	256TC	TEFC	CESSWDM41906T	7,283	WD	24.67	312	91	230/460	21.5	1
	1800	256TC	TEFC	CESSWDM23934T	7,242	WD	24.67	299	93	230/460	23.4	
575 Volt												
1/2	1800	56C	TENV	CSSWDM3538-5	1,336	WD	11.09	37	80	575	0.7	1, 12
3/4	1800	56C	TENV	CSSWDM3542-5	1,383	WD	11.09	41	82.5	575	0.9	1, 12
1	1800	56C	TENV	CSSWDM3546-5	1,420	WD	11.09	46	85.5	575	1.2	
		143TC	TEFC	CESSWDM3546T-5	1,426	WD	13.42	51	87.5	575	1.3	1
1 1/2	1800	56C	TEFC	CSSWDM3554-5	1,452	WD	13.34	48	84	575	1.9	1
		145TC	TEFC	CESSWDM3554T-5	1,453	WD	13.42	56	87.5	575	1.7	1
2	1800	56C	TEFC	CSSWDM3558-5	1,765	WD	15.59	62	88.5	575	2.2	1
		145TC	TEFC	CESSWDM3558T-5	1,746	WD	15.67	64	88.5	575	2.2	1
3	3600	145TC	TEFC	CESSWDM3559T-5	2,089	WD	15.67	73	86.5	575	2.9	1
	1800	182TC	TEFC	CESSWDM3611T-5	2,041	WD	16.82	92	89.5	575	3.4	1
5	3600	184TC	TEFC	CESSWDM3613T-5	2,374	WD	18.32	106	90.2	575	4.6	
	1800	184TC	TEFC	CESSWDM3615T-5	2,297	WD	18.32	112	89.5	575	5.2	

(a) See notes on inside back flap.
Red Catalog Number indicates **NEW** Product.

**Stainless Steel,
Three Phase,
Totally Enclosed,
C-Face, Footless**

1/3 thru 5 Hp

NEMA 56C thru 184TC

IP56

Applications: Food processing, packaging, outdoor and highly corrosive environments.

Features: All external surfaces are 300 series stainless steel: motor frame, endplates, conduit box, shaft and base. Moisture resistant insulation system. Four condensate drains in each endplate. Endplate rabbets sealed and conduit box gasketed. Labyrinth seals each end. Especially effective in highly corrosive environments where paint or other finishes do not hold up.



Hp	RPM	NEMA Frame	Enclosure	Catalog Number	List Price	Mult. Sym.	"C" Dim.	Aprx. Wt. (lb)	Full Load Efficiency	Voltage	Full Load Amps	Notes (a)
1/3	3600	56C	TENV	VSSWDM3457	1,023	WD	11.09	33	74	208-230/460	0.6	1
	1800	56C	TENV	VSSWDM3534	1,078	WD	11.09	33	75.5	208-230/460	0.7	1
1/2	3600	56C	TENV	VSSWDM3537	1,215	WD	11.09	37	70	208-230/460	0.9	1
	1800	56C	TEFC	VSSFWM3538	1,383	WD	12.34	40	80	208-230/460	0.9	1, 12
		56C	TENV	VSSWDM3538	1,308	WD	11.09	40	84	230/460	0.9	1, 12, 30
3/4	3600	56C	TENV	VSSWDM3541	1,262	WD	11.09	41	80	230/460	1.1	1, 12, 30
	1800	56C	TEFC	VSSFWM3542	1,428	WD	12.34	44	82.5	208-230/460	1.1	1
		56C	TENV	VSSWDM3542	1,356	WD	11.09	42	82.5	208-230/460	1.1	1
1	3600	56C	TENV	VSSWDM3545	1,383	WD	11.09	41	82.5	230/460	1.3	1, 12, 30
	1800	56C	TEFC	VSSFWM3546	1,466	WD	13.34	50	85.5	208-230/460	1.5	
		56C	TENV	VSSWDM3546	1,393	WD	11.09	46	85.5	208-230/460	1.5	
1 1/2	3600	56C	TENV	VSSWDM3550	1,401	WD	12.09	49	85.5	230/460	2	30
	1800	145TC	TEFC	VSSWDM3554T	1,537	WD	13.42	46	84	208-230/460	2.4	1
2	3600	145TC	TEFC	VSSWDM3555T	1,856	WD	14.30	57	84	208-230/460	2.6	1
	1800	145TC	TEFC	VSSWDM3558T	1,876	WD	13.42	52	86.5	208-230/460	2.9	1
3	3600	145TC	TEFC	VSSWDM3559T	2,238	WD	14.30	60	85.5	230/460	3.7	1, 30
	1800	145TC	TEFC	VSSWDM3561T	1,991	WD	15.67	63	87.5	208-230/460	4	
		182TC	TEFC	VSSWDM3611T	2,128	WD	16.82	87	87.5	208-230/460	4.5	1
5	3600	184TC	TEFC	VSSWDM3613T	2,433	WD	16.82	94	87.5	208-230/460	5.7	1
	1800	184TC	TEFC	VSSWDM3615T	2,451	WD	18.32	107	87.5	208-230/460	6.5	1

(a) See notes on inside back flap.

Red Catalog Number indicates **NEW** Product.

General Information

Single Phase Motors

General Purpose Industrial Motors

Severe Duty Motors

Large AC Motors

Washdown Duty Motors

Explosion Proof Motors

Pump Motors

HVAC Motors

Farm Duty Motors

**SSE Super-E
Stainless Steel,
Three Phase,
Totally Enclosed,
C-Face,
Foot Mounted,
Encapsulated**

1/2 thru 15 Hp

NEMA 56C thru 215TC

IP56

**IP69K
for Water**

Applications: Food processing, packaging, outdoor and highly corrosive environments, which expose the motor to high pressure washdown.

Features: Class H insulated motor with 1.15 service factor or higher. All external surfaces are 300 series stainless steel: motor frame, endplates, conduit box, shaft and base. Moisture resistant insulation system. Endplate rabbets have O-ring seals to band. Conduit box and base fully welded; no crevices to trap contaminants. Patented bearing seal to protect motor bearings, inside and out. Epoxy encapsulation prevents any moisture from reaching the windings as well as potting the passage between the band and the conduit box. Nameplate information is laser etched on the band. Especially effective in highly corrosive environments where paint or other finishes do not hold up. NEMA Premium® efficiency and 3-year warranty.



Hp	RPM	NEMA Frame	Enclosure	Catalog Number	List Price	Mult. Sym.	"C" Dim.	Aprx. Wt. (lb)	Full Load Efficiency	Voltage	Full Load Amps	Notes (a)	
F1 Mounting													
1/2	3600	56C	TENV	CSSEWDM3537	1,412	WD	11.75	46	84	208-230/460	0.7		
	1800	56C	TENV	CSSEWDM3538	1,433	WD	11.75	50	84	230/460	0.9	12, 30	
	1200	56C	TENV	CSSEWDM3539	1,721	WD	12.75	37	77	208-230/460	0.9		
3/4	3600	56C	TENV	CSSEWDM3541	1,459	WD	11.75	53	86.5	208-230/460	1		
	1800	56C	TENV	CSSEWDM3542	1,481	WD	12.75	58	84	208-230/460	1.3		
	1200	56C	TENV	CSSEWDM3543	1,769	WD	13.63	63	82.5	208-230/460	1.3		
1	3600	56C	TENV	CSSEWDM3545	1,532	WD	12.75	59	82.5	208-230/460	1.4		
	1800	56C	TENV	CSSEWDM3546	1,547	WD	12.75	59	87.5	208-230/460	1.5		
		143TC	TENV	CSSEWDM3546T	1,560	WD	12.80	59	87.5	208-230/460	1.5		
1 1/2	1200	56C	TEFC	CSSEWDM3556	1,829	WD	16.13	73	84	208-230/460	1.7		
		56C	TENV	CSSEWDM3550	1,552	WD	13.63	62	85.5	208-230/460	1.8		
		143TC	TENV	CSSEWDM3550T	1,565	WD	13.68	63	85.5	208-230/460	1.8		
1 1/2	1800	56C	TEFC	CSSEWDM3554	1,559	WD	14.75	66	88.5	230/460	2.2	30	
		145TC	TEFC	CSSEWDM3554T	1,574	WD	14.81	68	88.5	230/460	2.2	30	
		56C	TEFC	CSSEWDM3555	1,857	WD	14.75	68	86.5	208-230/460	2.5		
2	3600	56C	TEFC	CSSEWDM3555	1,857	WD	14.75	68	86.5	208-230/460	2.5		
		145TC	TEFC	CSSEWDM3555T	1,870	WD	14.81	71	86.5	208-230/460	2.5		
		56C	TEFC	CSSEWDM3558	1,884	WD	16.13	72	88.5	208-230/460	2.7		
2	1800	145TC	TEFC	CSSEWDM3558T	1,897	WD	16.19	73	88.5	208-230/460	2.7		
		1200	184TC	TEFC	CSSEWDM3614T	2,251	WD	19.25	125	88.5	230/460	3.5	
		3600	145TC	TEFC	CSSEWDM3559T	2,267	WD	16.19	81	86.5	208-230/460	3.7	
3	1800	182TC	TEFC	CSSEWDM3611T	2,283	WD	19.25	112	89.5	230/460	4.2	30	
	5	3600	184TC	TEFC	CSSEWDM3613T	2,474	WD	17.75	108	89.5	208-230/460	5.6	
5	1800	184TC	TEFC	CSSEWDM3615T	2,493	WD	19.25	124	89.5	208-230/460	6.5		
		7 1/2	3600	213TC	TEFC	CSSEWDM3709T	3,104	WD	20.43	178	91	208-230/460	8.3
7 1/2	1800	213TC	TEFC	CSSEWDM3710T	3,168	WD	21.62	189	91.7	230/460	9.5	30	
		10	3600	215TC	TEFC	CSSEWDM3711T	3,520	WD	21.62	202	91.7	208-230/460	10.6
10	1800	215TC	TEFC	CSSEWDM3714T	3,730	WD	23.06	187	92.4	208-230/460	12.5		
		15	3600	215TC	CSSEWDM3713T	5,279	WD	23.06	187	91.7	230/460	17	30
F2 Mounting													
1	1800	143TC	TENV	CSSEWDM3546T	1,560	WD	12.80	60	87.5	208-230/460	1.5		
1 1/2	1800	145TC	TEFC	CSSEWDM3554T	1,574	WD	14.81	62	88.5	230/460	2.2	30	
2	1800	145TC	TEFC	CSSEWDM3558T	1,897	WD	16.19	73	88.5	208-230/460	2.7		
3	1800	182TC	TEFC	CSSEWDM3611T	2,283	WD	19.25	111	89.5	230/460	4.2	30	
5	1800	184TC	TEFC	CSSEWDM3615T	2,493	WD	19.25	122	89.5	208-230/460	6.5		

(a) See notes on inside back flap.
Red Catalog Number indicates **NEW** Product.

**SSE Super-E
Stainless Steel,
Three Phase,
Totally Enclosed,
C-Face, Footless,
Encapsulated**

1/2 thru 2 Hp

NEMA 56C thru 145TC

IP56

**IP69K
for Water**

Applications: Food processing, packaging, outdoor and highly corrosive environments, which expose the motor to high pressure washdown.

Features: Class H insulated motor with 1.15 service factor or higher. All external surfaces are 300 series stainless steel: motor frame, endplates, conduit box, shaft and base. Moisture resistant insulation system. Endplate rabbets have O-ring seals to band. Conduit box is welded to the motor frame. Patented bearing seal to protect motor bearings, inside and out. Epoxy encapsulation prevents any moisture from reaching the windings as well as potting the passage between the band and the conduit box. Nameplate information is laser etched on the band. Especially effective in highly corrosive environments where paint or other finishes do not hold up. NEMA Premium® efficiency and 3-year warranty.



Hp	RPM	NEMA Frame	Enclosure	Catalog Number	List Price	Mult. Sym.	"C" Dim.	Aprx. Wt. (lb)	Full Load Efficiency	Voltage	Full Load Amps	Notes (a)
1/2	3600	56C	TENV	VSSEWDM3537	1,344	WD	11.75	49	84	208-230/460	0.7	
	1800	56C	TEFC	VSSEFWM3538	1,395	WD	12.88	49	84	208-230/460	0.9	
			56C	TENV	VSSEWDM3538	1,367	WD	11.75	49	84	208-230/460	0.9
3/4	3600	56C	TENV	VSSEWDM3541	1,393	WD	11.75	54	86.5	208-230/460	1	
	1800	56C	TEFC	VSSEFWM3542	1,443	WD	13.88	54	84	230/460	1.3	
		56C	TENV	VSSEWDM3542	1,415	WD	12.75	53	84	230/460	1.3	
	1200	56C	TENV	VSSEWDM3543	1,703	WD	13.63	61	82.5	208-230/460	1.3	
1	3600	56C	TENV	VSSEWDM3545	1,465	WD	12.75	57	82.5	208-230/460	1.4	
	1800	56C	TEFC	VSSEFWM3546	1,509	WD	13.88	59	87.5	208-230/460	1.5	
		143TC	TEFC	VSSEFWM3546T	1,522	WD	13.94	59	87.5	208-230/460	1.5	
		56C	TENV	VSSEWDM3546	1,480	WD	12.75	58	87.5	208-230/460	1.5	
	143TC	TENV	VSSEWDM3546T	1,494	WD	12.80	58	87.5	208-230/460	1.5		
	1200	56C	TEFC	VSSEWDM3556	1,763	WD	16.13	72	84	208-230/460	1.7	
1 1/2	3600	56C	TENV	VSSEWDM3550	1,485	WD	13.63	66	85.5	208-230/460	1.8	
		143TC	TENV	VSSEWDM3550T	1,499	WD	13.61	66	85.5	208-230/460	1.8	
	1800	56C	TEFC	VSSEWDM3554	1,493	WD	14.75	66	88.5	230/460	2.2	30
		145TC	TEFC	VSSEWDM3554T	1,507	WD	14.81	66	88.5	230/460	2.2	30
2	3600	145TC	TEFC	VSSEWDM3555T	1,805	WD	14.81	70	86.5	208-230/460	2.5	
	1800	56C	TEFC	VSSEWDM3558	1,818	WD	16.13	71	88.5	208-230/460	2.7	
		145TC	TEFC	VSSEWDM3558T	1,831	WD	16.19	71	88.5	208-230/460	2.7	

(a) See notes on inside back flap.

General Information

Single Phase Motors

General Purpose Industrial Motors

Severe Duty Motors

Large AC Motors

Washdown Duty Motors

Explosion Proof Motors

Pump Motors

HVAC Motors

Farm Duty Motors

BALDOR • RELIANCE**NEW!****Washdown Duty Motors**

**SSE Super-E
Stainless Steel,
Three Phase, 575V,
Totally Enclosed,
C-Face,
Foot Mounted,
Encapsulated**

1/2 thru 5 Hp**NEMA 56C thru 184TC****IP56****IP69K
for Water**

Applications: Food processing, packaging, outdoor and highly corrosive environments, which expose the motor to high pressure washdown.

Features: Class H insulated motor with 1.15 service factor or higher. All external surfaces are 300 series stainless steel: motor frame, endplates, conduit box, shaft and base. Moisture resistant insulation system. Endplate rabbets have O-ring seals to band. Conduit box and base fully welded; no crevices to trap contaminants. Patented bearing seal to protect motor bearings, inside and out. Epoxy encapsulation prevents any moisture from reaching the windings as well as potting the passage between the band and the conduit box. Nameplate information is laser etched on the band. Especially effective in highly corrosive environments where paint or other finishes do not hold up. NEMA Premium® efficiency and 3-year warranty.



Hp	RPM	NEMA Frame	Enclosure	Catalog Number	List Price	Mult. Sym.	"C" Dim.	Aprx. Wt. (lb)	Full Load Efficiency	Voltage	Full Load Amps	Notes (a)
1/2	3600	56C	TENV	CSSEWDM3537-5	1,412	WD	11.75	35	84	575	0.6	12
	1800	56C	TENV	CSSEWDM3538-5	1,433	WD	11.75	35	84	575	0.7	
3/4	1800	56C	TENV	CSSEWDM3542-5	1,481	WD	12.75	40	84	575	1	
		56C	TENV	CSSEWDM3546-5	1,547	WD	12.75	43	87.5	575	1.2	
1	1800	143TC	TENV	CSSEWDM3546T-5	1,560	WD	12.80	43	87.5	575	1.2	
		56C	TEFC	CSSEWDM3554-5	1,559	WD	14.75	62	86.5	575	1.7	
1 1/2	1800	145TC	TEFC	CSSEWDM3554T-5	1,574	WD	14.81	64	86.5	575	1.7	
		56C	TEFC	CSSEWDM3558-5	1,884	WD	16.13	72	88.5	575	2.2	
2	1800	145TC	TEFC	CSSEWDM3558T-5	1,897	WD	16.19	72	88.5	575	2.2	
		3	3600	145TC	TEFC	CSSEWDM3559T-5	2,267	WD	16.19	81	86.5	
3	1800	182TC	TEFC	CSSEWDM3611T-5	2,283	WD	19.25	112	89.5	575	3.3	
	3600	184TC	TEFC	CSSEWDM3613T-5	2,474	WD	17.75	110	89.5	575	4.5	
5	3600	184TC	TEFC	CSSEWDM3615T-5	2,493	WD	19.25	125	89.5	575	5.1	
	1800	184TC	TEFC									

(a) See notes on inside back flap.

NEW!

**Inverter Motor,
Paint Free,
Three Phase,
Totally Enclosed,
C-Face**

1/2 thru 10 Hp

NEMA 56C thru 215TC

IP55

Applications: Conveyors, pumps and other equipment in food processing and severe environments where motors receive washdown on a regular basis.



Features: Includes all the advantages of our standard “Paint Free” washdown duty motors. Specifically designed and built for use on adjustable speed drives. For adjustable speed applications not requiring full torque at zero speed. Not encoder adaptable. 1.00 Service Factor. Class “H” insulated. 2700 RPM constant Hp speed. Includes phase insulation and thermostats.

Hp	Base Speed RPM	Max. RPM	NEMA Frame	Enclosure	Catalog Number	List Price	Mult. Sym.	“C” Dim.	Aprx. Wt. (lb)	Full Load Efficiency	Voltage	Full Load Amps	Notes (a)
C-Face, Foot Mounted													
1/2	1800	6000	56C	TENV	IDCSWDM3538	1,551	WD	11.06	31	82.5	208-230/460	0.8	
3/4	1800	6000	56C	TENV	IDCSWDM3542	1,756	WD	11.06	32	82.5	208-230/460	1.1	
1	1800	6000	56C	TENV	IDCSWDM3546	1,823	WD	12.06	40	85.5	208-230/460	1.5	
			143TC	TENV	IDCSWDM3546T	1,823	WD	12.12	42	85.5	230/460	1.5	
1 1/2	1800	4000	56C	TEFC	IDCSWDM3554	1,950	WD	14.12	51	88.5	230/460	2.1	
			145TC	TEFC	IDCSWDM3554T	1,950	WD	14.17	49	88.5	230/460	2.1	
2	1800	4500	56C	TEFC	IDCSWDM3558	2,083	WD	13.24	44	86.5	230/460	2.9	
			145TC	TEFC	IDCSWDM3558T	2,083	WD	13.29	48	86.5	230/460	2.9	
3	1800	6000	182TC	TEFC	IDCSWDM3611T	2,284	WD	18.06	85	89.5	230/460	4.2	
5	1800	6000	184TC	TEFC	IDCSWDM3615T	2,658	WD	18.06	99	89.5	230/460	6.5	
7 1/2	1800	6000	213TC	TEFC	IDCSWDM3710T	4,024	WD	19.81	136	91.7	230/460	9.5	
10	1800	6000	215TC	TEFC	IDCSWDM3714T	4,601	WD	21.31	187	92.4	230/460	12.5	
C-Face, Footless													
1/2	1800	6000	56C	TENV	IDVSWDM3538	1,538	WD	11.06	32	84	230/460	0.9	
3/4	1800	6000	56C	TENV	IDVSWDM3542	1,748	WD	11.06	35	82.5	230/460	1.1	
1	1800	6000	56C	TENV	IDVSWDM3546	1,814	WD	12.06	40	85.5	208-230/460	1.5	
			143TC	TENV	IDVSWDM3546T	1,814	WD	12.12	40	85.5	208-230/460	1.5	
1 1/2	1800	4000	56C	TEFC	IDVSWDM3554	1,940	WD	14.12	50	88.5	230/460	2.1	
			145TC	TEFC	IDVSWDM3554T	1,940	WD	14.17	50	88.5	230/460	2.1	
2	1800	4500	56C	TEFC	IDVSWDM3558	2,066	WD	13.24	45	86.5	230/460	2.9	
			145TC	TEFC	IDVSWDM3558T	2,066	WD	13.29	46	86.5	230/460	2.9	
3	1800	6000	182TC	TEFC	IDVSWDM3611T	2,172	WD	18.06	80	89.5	230/460	4.2	
5	1800	6000	184TC	TEFC	IDVSWDM3615T	2,532	WD	18.06	97	89.5	230/460	6.5	

(a) See notes on inside back flap.

General Information

Single Phase Motors

General Purpose Industrial Motors

Severe Duty Motors

Large AC Motors

Washdown Duty Motors

Explosion Proof Motors

Pump Motors

HVAC Motors

Farm Duty Motors

General Information

Single Phase Motors

General Purpose Industrial Motors

Severe Duty Motors

Large AC Motors

Washdown Duty Motors

Explosion Proof Motors

Pump Motors

HVAC Motors

Farm Duty Motors

Inverter Motor, Three Phase, TENV, C-Face, Foot Mounted

1 thru 10 Hp

NEMA 143TC thru 254TC

IP55

Applications: Conveyors, pumps and other equipment in food processing and other wet environments.



Features: Designed for inverter or vector applications where up to a 1000:1 constant torque speed range is required. Provisions for mounting optional HS25 encoder feedback devices (shown in Inverter/Vector section) for use in closed loop velocity or position control. Meets NEMA MG 1, Part 31. 1.00 Service Factor. Class “H” insulated. 2700 RPM constant Hp speed. Includes phase insulation and thermostats.

Hp	Base Speed RPM	Max. RPM	NEMA Frame	Catalog Number	List Price	Mult. Sym.	“C” Dim.	Aprx. Wt. (lb)	Full Load Efficiency	Voltage	Full Load Amps	Notes (a)
1	1800	6000	143TC	IDWNM3546T	1,551	WD	14.90	41	85.5	230/460	1.5	
1 1/2	1800	4500	145TC	IDWNM3554T	1,708	WD	15.78	52	86.5	230/460	2.1	
2	1800	6000	182TC	IDWNM3609T	1,882	WD	17.77	69	84	230/460	2.9	
3	1800	6000	184TC	IDWNM3611T	2,050	WD	19.27	90	89.5	230/460	4.1	
5	1800	4000	213TC	IDWNM3707T	2,320	WD	19.84	122	89.5	230/460	6.7	
7 1/2	1800	5000	254TC	IDWNM22937T	3,593	WD	23.92	240	91	230/460	9.1	
10	1800	5000	254TC	IDWNM22938T	4,208	WD	23.92	287	91.7	230/460	12	

(a) See notes on inside back flap.

1000:1 CONSTANT TORQUE SPEED RANGE

Vector Motor, Three Phase, TENV, C-Face, Foot Mounted

1 thru 10 Hp

NEMA 143TC thru 254TC

IP55

Applications: Material handling, packaging equipment in food processing and other wet environments.



Features: Designed for inverter or vector applications where up to a 1000:1 constant torque speed range is required. Motors include 1024 PPR HS25 encoder feedback with MS connector. Meets NEMA MG 1, Part 31. 1.00 Service Factor. Class “H” insulated. 2700 RPM constant Hp speed. Includes phase insulation and thermostats.

Hp	Base Speed RPM	Max. RPM	NEMA Frame	Catalog Number	List Price	Mult. Sym.	“C” Dim.	Aprx. Wt. (lb)	Full Load Efficiency	Voltage	Full Load Amps	Notes (a)
1	1800	6000	143TC	ZDWNM3546T	3,107	WD	14.90	44	85.5	230/460	1.5	
1 1/2	1800	4500	145TC	ZDWNM3554T	3,264	WD	15.78	56	86.5	230/460	2.1	
2	1800	6000	182TC	ZDWNM3609T	3,438	WD	17.77	71	84	230/460	2.9	
3	1800	6000	184TC	ZDWNM3611T	3,609	WD	19.27	90	89.5	230/460	4.1	
5	1800	6000	213TC	ZDWNM3707T	3,878	WD	19.84	126	89.5	230/460	6.7	
7 1/2	1800	5000	254TC	ZDWNM22937T	5,152	WD	23.92	241	91	230/460	9.1	
10	1800	5000	254TC	ZDWNM22938T	5,767	WD	23.92	286	91.7	230/460	12	

(a) See notes on inside back flap.

1000:1 CONSTANT TORQUE SPEED RANGE

Single and Three Phase, Foot Mounted

1/4 thru 250 Hp

NEMA 48 thru 449T



Applications: Ideal for use on pumps, fans, and conveyors where hazardous fumes and dust are present requiring Div 1 UL listed and/or CSA approved enclosures.

Features: UL & CSA approved for Class I, Group D; Class I, Group D, Class II, Group F & G; Class I, Group C & D, Class II, Group F & G. Totally enclosed heavy gauge steel and cast iron construction. Corrosion resistant epoxy paint. Single or Three Phase designs. 1.0 Service Factor. Three Phase 143T frame and larger have 60Hz & 50Hz data included on the nameplate. Super-E® explosion proof motors have NEMA Premium® efficiency and 3 year warranty. Fixed speed sine wave operation only.

Hp	RPM	NEMA Frame	Catalog Number	XP Cls/Grp	Temp Code	List Price	Mult. Sym.	"C" Dim.	Aprx. Wt. (lb)	Full Load Efficiency	Voltage	Full Load Amps	Notes (a)
Single Phase													
1/4	1800	48	L4003A	②	T3C	553	K	12.85	26	55	115/208-230	2.5	-
		56	L5000A	②	T3C	528	K	13.22	29	62	115/208-230	2.1	-
		56	L5000A-C	⑤	T3C	657	K	13.22	35	62	115/208-230	2.1	-
1/3	3600	48	L4005A	②	T3C	490	K	12.85	32	55	115/230	3	-
	1800	48	L4006A	②	T3C	713	K	12.85	29	60	115/208-230	3	-
		56	L5001A	②	T3C	679	K	13.22	29	60	115/208-230	3	-
1/2	1200	56	L5002A	②	T4	961	K	14.30	41	54	115/230	3.4	-
	3600	56	L5003A	②	T3C	644	K	13.22	29	57	115/230	3.7	-
	1800	48	L4009A	②	T3C	784	K	13.85	35	64	115/208-230	3.7	-
		56	L5004A	②	T3C	748	K	14.22	35	64	115/208-230	3.7	-
		56	L5004A-C	⑤	T3C	877	K	14.22	40	64	115/208-230	3.7	-
	1200	56	L5005A	②	T4	1,107	K	15.17	50	59	115/230	4	-
3/4	3600	56	L5006A	②	T4	726	K	14.30	40	62	115/230	4.9	-
	1800	56	L5007A	②	T4	879	K	15.17	47	66	115/230	5.3	-
		56	L5007A-C	⑤	T4	1,008	K	15.17	53	66	115/230	5.3	-
	1200	56	L5022	①	T2C	1,280	K	17.42	57	68	115/208-230	5.4	-
1	3600	56	L5009A	②	T4	784	K	15.17	48	66	115/230	6	-
	1800	56	L5023A	①	T2C	1,001	K	15.17	48	67	115/230	6.5	-
		143T	L5023T	①	T2C	980	L1	15.23	46	72	115/208-230	5.9	-
1 1/2	1200	184	L5026	②	T3C	2,193	L1	16.92	83	67	115/208-230	7	-
	3600	143T	L5030T	②	T3C	1,136	L1	15.23	54	70	115/208-230	7.5	-
	1800	184	L5013	②	T3C	2,036	L1	16.92	77	70	115/230	9.5	-
2	3600	145T	L5031T	②	T3C	1,404	L1	16.11	57	74	115/208-230	11.5	-
	1800	182T	L5027T	①	T2C	2,063	L1	17.42	84	75	115/230	11	-
3	3600	184T	L5028T	①	T2C	2,144	L1	17.42	84	76	115/230	14.5	-
	1800	215	L5018	②	T3C	3,257	L1	19.49	152	79	115/230	15	-
5	1800	215	L5020	①	T2C	4,143	L1	19.90	166	84	230	21	-
Three Phase													
1/4	1800	48	M6002A	②	T3C	575	K	12.85	25	63	208-230/460	0.7	-
1/3	1800	56	M7002A	②	T3C	691	K	13.22	27	67	208-230/460	0.8	-
	1200	56	M7003A	②	T4	992	K	14.36	34	70	208-230/460	0.8	-
1/2	3600	56	M7005A	②	T3C	792	K	13.22	27	68	208-230/460	1.1	-
	1800	48	M6007A	②	T3C	719	K	12.85	30	74	208-230/460	1	-
		56	M7006A	②	T3C	719	K	13.22	29	74	208-230/460	1	-
	1200	56	M7007A	②	T4	1,047	K	14.36	39	70	208-230/460	1.2	-
3/4	3600	56	M7009A	②	T3C	825	K	13.22	29	75	208-230/460	1.3	-
	1800	56	M7010A	②	T3C	828	K	14.22	33	73	208-230/460	1.5	-
		56	M7031A	②	T4	1,112	K	15.23	43	77	208-230/460	1.4	-
	1200	143T	M7031TA	②	T4	1,112	L1	15.23	47	77	208-230/460	1.4	-

(a) See notes on inside back flap.

① = Class I, Group D; ② = Class I, Group D, Class II, Group F & G; ⑤ = Class I, Group C & D, Class II, Group F & G

CAUTION: Explosion-proof motors have a tight fit between mating parts to ensure the integrity of the explosion-proof enclosure. This can lead to an accumulation of moisture inside the motors due to condensation. Care should be used when selecting an explosion-proof motor, especially when installed outdoors and on intermittent duty. Consider explosion-proof motors on pages 81-86 for outdoor applications. These explosion-proof motors are not suitable for use with adjustable speed drives, inverter duty explosion-proof motors must be used. See pages 88-90.

General Information

Single Phase Motors

General Purpose Industrial Motors

Severe Duty Motors

Large AC Motors

Washdown Duty Motors

Explosion Proof Motors

Pump Motors

HVAC Motors

Farm Duty Motors

Single and Three Phase, Foot Mounted

Hp	RPM	NEMA Frame	Catalog Number	XP Cls/Grp	Temp Code	List Price	Mult. Sym.	"C" Dim.	Aprx. Wt. (lb)	Full Load Efficiency	Voltage	Full Load Amps	Notes (a)
20	3600	256T	EM7059T	②	T3C	4,105	L1	25.50	359	91	230/460	23	19, 20
	1800	256T	EM7056T	②	T3C	4,860	L1	25.50	393	93	230/460	24	19, 30
		256T	EM7056T-C	⑤	T4	4,962	L1	25.50	393	93	230/460	24	19, 30
	1200	286T	EM7079T	②	T3C	6,757	L1	28.61	494	91.7	230/460	27	19, 30
25	3600	284TS	EM7063T	②	T3C	5,463	L1	27.24	507	91.7	230/460	28.5	19, 20
	1800	284T	EM7058T	②	T3C	5,896	L1	28.61	537	93.6	230/460	30.5	19, 30
		284T	EM7058T-C	⑤	T4	6,011	L1	28.61	537	93.6	230/460	30.5	19, 30
	1200	324T	EM7082T	②	T3C	8,449	L1	32.00	741	93	230/460	32	19, 30
30	3600	286TS	EM7083T	②	T3C	6,421	L1	27.24	528	91.7	230/460	33	19, 20
	1800	286T	EM7060T	②	T3C	7,188	L1	28.61	554	93.6	230/460	36	19, 20, 30
		286T	EM7060T-C	⑤	T4	7,307	L1	28.61	563	93.6	230/460	37	19, 30
	1200	326T	EM7080T	②	T3C	9,321	L1	32.00	766	93	230/460	39	19, 30
40	3600	324TS	EM7067T	②	T3C	8,565	L1	30.50	630	92.4	230/460	46	19
	1800	324T	EM7062T	②	T3C	9,633	L1	32.00	713	94.1	230/460	48	19
		324T	EM7062T-C	⑤	T4	9,763	L1	32.00	700	94.1	230/460	48	19
	1200	364T	EM7084T	②	T3C	10,803	L1	33.44	915	94.1	230/460	47.2	19, 20, 30
50	3600	326TS	EM7081T	②	T3C	10,967	L1	30.50	745	93	230/460	56	19, 20, 30
	1800	326T	EM7064T	②	T3C	11,182	L1	32.00	764	94.5	230/460	58	19
		326T	EM7064T-C	⑤	T4	11,336	L1	32.12	764	94.5	230/460	58	19
	1200	365T	EM7085T	②	T4	12,193	L1	33.44	918	94.1	230/460	60.1	19, 20, 30
60	1800	364T	EM7066T	②	T4	12,508	L1	33.44	972	95	230/460	68	19, 20
		364T	EM7066T-C	⑤	T4	12,672	L1	33.44	910	95	230/460	68	19, 20
	1200	404T	EM7086T	②	T4	14,548	L1	38.31	1375	94.5	230/460	67.3	19, 20, 30
75	1800	365T	EM7068T	⑤	T4	15,134	L1	33.44	1156	95.4	230/460	84.1	19, 20, 30
	1200	405T	EM7087T	②	T4	16,276	L1	38.31	1428	94.5	230/460	84.2	19, 20, 30
100	1800	405T	EM7090T	⑤	T4	17,576	L1	38.31	1335	95.4	230/460	112	19, 20, 30
125	1800	444T	EM74124T-4	⑤	T4	20,539	L1	44.62	1900	95.4	460/380	139	19, 20
150	1800	447T	EM74154T-4	⑤	T4	22,954	L1	47.83	2455	95.8	460/380	164	19, 20
200	1800	449T	EM74204T-4	⑤	T4	32,808	L1	52.83	2993	96.2	460/380	216	19, 20
250	1800	447T	M74254T-4	⑤	T4	35,752	L1	47.83	2553	95	460/380	281	19, 20

^{a)} See notes on inside back flap.

② = Class I, Group D, Class II, Group F & G; ⑤ = Class I, Group C & D, Class II, Group F & G

■ Cast Iron Frame

CAUTION: Explosion-proof motors have a tight fit between mating parts to ensure the integrity of the explosion-proof enclosure. This can lead to an accumulation of moisture inside the motors due to condensation. Care should be used when selecting an explosion-proof motor, especially when installed outdoors and on intermittent duty. Consider explosion-proof motors on pages 81-86 for outdoor applications. These explosion-proof motors are not suitable for use with adjustable speed drives, inverter duty explosion-proof motors must be used. See pages 88-90.

General Information

Single Phase Motors

General Purpose Industrial Motors

Severe Duty Motors

Large AC Motors

Washdown Duty Motors

Explosion Proof Motors

Pump Motors

HVAC Motors

Farm Duty Motors

Single and Three Phase, C-Face**1/4 thru 50 Hp****NEMA 56C thru 326TC**

Applications: Ideal for use on pumps, blowers, valves, and gearboxes where hazardous fumes and dust are present requiring Div 1 UL listed and/or CSA approved enclosures.

Features: UL & CSA approved for Class I, Group D; Class I, Group D, Class II, Group F & G. Totally enclosed heavy gauge steel and cast iron construction. Corrosion resistant epoxy paint. Single and Three Phase designs. 1.0 Service Factor. Three Phase 143T frame and larger have 60Hz & 50Hz data included on the nameplate. Super-E® explosion proof motors have NEMA Premium® efficiency and 3 year warranty. Fixed speed sine wave operation only. No Drip Cover.

Hp	RPM	NEMA Frame	Catalog Number	XP Cls/Grp	Temp Code	List Price	Mult. Sym.	"C" Dim.	Aprx. Wt. (lb)	Full Load Efficiency	Voltage	Full Load Amps	Notes (a)
Single Phase, C-Face, Foot Mounted													
1/3	1800	56C	CL5001A	②	T3C	827	K	13.22	30	60	115/208-230	3	-
	3600	56C	CL5003A	②	T3C	726	K	13.22	35	57	115/230	3.7	-
1/2	1800	56C	CL5004A	②	T3C	828	K	14.22	36	64	115/208-230	3.7	-
	1800	56C	CL5007A	②	T4	924	K	15.17	49	66	115/230	5.3	-
3/4	3600	56C	CL5009A	②	T4	824	K	15.17	50	66	115/230	6	-
	1800	56C	CL5023A	①	T2C	1,049	K	15.17	49	67	115/230	6.5	-
1 1/2	3600	143TC	CL5030T	②	T3C	1,291	L1	15.23	53	70	115/208-230	7.5	-
	1800	184C	CL5013	②	T3C	2,095	L1	16.93	83	70	115/230	9.5	-
2	3600	143TC	CL5031T	②	T3C	1,476	L1	16.10	60	74	115/208-230	11.5	-
	1800	182TC	CL5027T	①	T2C	2,162	L1	18.86	99	75	115/230	11	-
3	3600	184TC	CL5028T	①	T2C	2,187	L1	18.86	100	76	115/230	14.5	-
	1800	215C	CL5018	①	T2C	3,355	L1	19.56	154	79	115/230	15	-
5	1800	215C	CL5020	①	T2C	4,271	L1	20.69	170	84	230	21	-
Single Phase, C-Face, Footless													
1/4	1800	56C	VL5000A	②	T3C	732	K	13.22	29	62	115/208-230	2.1	-
1/3	3600	56C	VL4005A	②	T3C	557	K	13.22	34	57	115/230	3.5	-
	1800	56C	VL5001A	②	T3C	748	K	13.22	34	60	115/208-230	3	-
	1200	56C	VL5002A	②	T4	1,002	K	14.30	42	54	115/230	3.4	-
1/2	3600	56C	VL5003A	②	T3C	721	K	13.22	28	57	115/230	3.7	-
	1800	56C	VL5004A	②	T3C	826	K	14.22	37	64	115/208-230	3.7	-
	1200	56C	VL5005A	②	T4	1,149	K	15.17	51	59	115/230	4	-
3/4	3600	56C	VL5006A	②	T4	771	K	14.30	40	62	115/230	4.9	-
	1800	56C	VL5007A	②	T4	920	K	15.17	48	66	115/230	5.3	-
1	3600	56C	VL5009A	②	T4	826	K	15.17	48	66	115/230	6	-
	1800	56C	VL5023A	①	T2C	1,045	K	15.17	52	67	115/230	6.5	-
1 1/2	3600	56C	VL5030	②	T3C	1,189	K	15.17	51	70	115/208-230	7.5	-
	1800	56C	VL5024A	①	T2C	1,379	K	17.42	76	75	115/230	8	-
2	1800	184C	VL5027	①	T2C	2,194	L1	18.43	90	75	115/208-230	11	-
Three Phase, C-Face, Foot Mounted													
1/2	3600	56C	CM7005A	②	T3C	867	K	13.22	27	68	208-230/460	1.1	-
	1800	56C	CM7006A	②	T3C	938	K	13.22	30	74	208-230/460	1	-
3/4	3600	56C	CM7009A	②	T3C	895	K	13.22	29	75	208-230/460	1.3	-
	1800	56C	CM7010A	②	T3C	956	K	14.22	34	73	208-230/460	1.5	-
1	3600	56C	CM7013	②	T3C	936	K	13.22	31	75.5	208-230/460	1.8	-
	1800	56C	CM7014	②	T3C	1,020	K	14.30	40	75.5	208-230/460	1.8	19
		143TC	CEM7014T	②	T3C	1,342	L1	14.36	45	85.5	230/460	1.5	19, 30
1 1/2	3600	143TC	CEM7018T	②	T3C	1,328	L1	14.36	45	84	230/460	1.9	19
	1800	56C	CM7034	②	T3C	1,087	K	14.30	45	81.5	208-230/460	2.3	19
		145TC	CEM7034T	②	T3C	1,453	L1	15.23	52	86.5	230/460	2.2	19, 30

(a) See notes on inside back flap.

① = Class I, Group D; ② = Class I, Group D, Class II, Group F & G

CAUTION: Explosion-proof motors have a tight fit between mating parts to ensure the integrity of the explosion-proof enclosure. This can lead to an accumulation of moisture inside the motors due to condensation. Care should be used when selecting an explosion-proof motor, especially when installed outdoors and on intermittent duty. Consider explosion-proof motors on pages 81-86 for outdoor applications. These explosion-proof motors are not suitable for use with adjustable speed drives, inverter duty explosion-proof motors must be used. See pages 88-90.

Single and Three Phase, C-Face

Hp	RPM	NEMA Frame	Catalog Number	XP Cls/Grp	Temp Code	List Price	Mult. Sym.	"C" Dim.	Aprx. Wt. (lb)	Full Load Efficiency	Voltage	Full Load Amps	Notes (a)
2	3600	145TC	CEM7071T	②	T3C	1,325	L1	15.23	53	85.5	230/460	2.4	19, 30
	1800	56C	CM7037	②	T3C	1,177	K	15.17	49	82.5	230/460	3	19, 30
		145TC	CEM7037T	②	T3C	1,539	L1	16.10	56	86.5	230/460	2.9	19, 30
3	3600	145TC	CEM7075T	①	T3C	1,643	L1	16.10	61	86.5	230/460	3.6	30
	1800	182TC	CEM7042T	②	T3C	1,866	L1	18.86	97	89.5	230/460	4.2	19, 30
5	3600	184TC	CEM7072T	②	T3C	2,167	L1	18.86	101	88.5	230/460	5.9	19, 30
	1800	184TC	CEM7044T	②	T3C	2,256	L1	19.55	119	89.5	230/460	6.7	19, 30
7 1/2	3600	184TC	CEM7073T	①	T2C	2,544	L1	20.36	124	89.5	230/460	8.4	30
		213TC	CEM7045T	②	T3C	2,887	L1	20.33	166	89.5	230/460	9	19, 30
	1800	213TC	CEM7047T	②	T3C	2,646	L1	21.08	161	91.7	230/460	9.4	19, 30
10	3600	215TC	CEM7174T	②	T3C	3,151	L1	20.65	235	90.2	230/460	11.8	19
	1800	215TC	CEM7170T	②	T3C	3,219	L1	20.65	249	91.7	230/460	12.2	19
15	3600	254TC	CEM7053T	②	T3C	3,419	L1	26.00	357	91	230/460	17.5	19, 20, 30
	1800	254TC	CEM7054T	②	T3C	5,324	L1	26.00	376	92.4	230/460	18	19, 30
20	3600	256TC	CEM7059T	②	T3C	5,458	L1	26.00	369	91	230/460	23	19, 20
	1800	256TC	CEM7056T	②	T3C	6,310	L1	26.00	376	93	230/460	24	19, 30
25	3600	284TSC	CEM7063T	②	T3C	7,197	L1	27.24	512	91.7	230/460	28.5	19, 20
	1800	284TC	CEM7058T	②	T3C	7,727	L1	28.61	647	93.6	230/460	30.5	19, 30
30	1800	286TC	CEM7060T	②	T3C	8,967	L1	28.61	552	93.6	230/460	36	19, 20, 30
40	1800	324TC	CEM7062T	②	T3C	11,961	L1	32.00	699	94.1	230/460	48	19
50	1800	326TC	CEM7064T	②	T3C	13,601	L1	32.00	746	94.5	230/460	58	19
Three Phase, C-Face, Footless													
1/4	1800	56C	VM7001A	②	T3C	871	K	13.22	25	63	208-230/460	0.7	-
1/3	1800	56C	VM7002A	②	T3C	890	K	13.22	27	67	208-230/460	0.8	-
1/2	3600	56C	VM7005A	②	T3C	861	K	13.22	26	68	208-230/460	1.1	-
	1800	56C	VM7006A	②	T3C	936	K	13.22	29	74	208-230/460	1	-
	1200	56C	VM7007A	②	T4	1,089	K	14.30	39	70	208-230/460	1.2	-
3/4	3600	56C	VM7009A	②	T3C	890	K	13.22	28	75	208-230/460	1.3	-
	1800	56C	VM7010A	②	T3C	953	K	14.22	33	73	208-230/460	1.5	-
	1200	56C	VM7031A	②	T4	1,144	K	15.17	47	77	208-230/460	1.4	-
1	3600	56C	VM7013	②	T3C	927	K	13.22	30	75.5	208-230/460	1.8	-
	1800	56C	VM7014	②	T3C	1,001	K	15.22	40	75.5	208-230/460	1.8	-
		143TC	VM7014T	②	T3C	1,080	L1	14.33	39	82.5	230/460	1.6	19
	1200	56C	VM7032	①	T2C	1,205	K	14.30	44	78.5	230/460	1.9	-
1 1/2	3600	143TC	VM7018T	②	T3C	1,138	L1	14.33	45	82.5	230/460	2.1	19, 30
	1800	56C	VM7034	②	T3C	1,078	K	14.30	44	81.5	208-230/460	2.3	19
		145TC	VM7034T	②	T3C	1,164	L1	15.21	46	84	230/460	2.4	19
	1200	145TC	VM7035T	①	T2C	1,331	L1	17.48	72	85.5	208-230/460	2.7	-
2	3600	145TC	VM7071T	②	T3C	1,273	L1	15.21	52	84	230/460	2.6	19, 30
	1800	56C	VM7037	②	T3C	1,165	K	15.17	49	82.5	230/460	3	19, 30
		145TC	VM7037T	②	T3C	1,259	L1	15.21	50	84	230/460	3.1	19
3	3600	143TC	VM7075T	①	T2C	1,412	L1	16.10	58	85.5	208-230/460	3.7	-
		182TC	VM7026T	②	T3C	1,489	L1	17.49	80	85.5	208-230/460	3.7	19
	1800	182TC	VM7042T	②	T3C	1,614	L1	18.86	91	87.5	230/460	4.2	19, 20
5	3600	184TC	VM7072T	②	T3C	1,883	L1	18.06	108	87.5	230/460	5.6	19, 30
	1800	184TC	VM7044T	②	T3C	1,966	L1	18.06	103	87.5	230/460	6.8	19, 30
7 1/2	3600	184TC	VM7073T	①	T2C	2,126	L1	20.36	110	88.5	230/460	8.7	30
		213TC	VM7045T	②	T3C	2,475	L1	19.19	165	88.5	230/460	9.5	19, 30
	1800	213TC	VM7047T	②	T3C	2,275	L1	19.19	157	89.5	230/460	10.1	19
10	1800	215TC	VM7170T	②	T3C	2,760	L1	20.65	173	89.5	230/460	13	19

(a) See notes on inside back flap.

① = Class I, Group D; ② = Class I, Group D, Class II, Group F & G

■ Cast Iron Frame

CAUTION: Explosion-proof motors have a tight fit between mating parts to ensure the integrity of the explosion-proof enclosure. This can lead to an accumulation of moisture inside the motors due to condensation. Care should be used when selecting an explosion-proof motor, especially when installed outdoors and on intermittent duty. Consider explosion-proof motors on pages 81-86 for outdoor applications. These explosion-proof motors are not suitable for use with adjustable speed drives, inverter duty explosion-proof motors must be used. See pages 88-90.

General Information

Single Phase Motors

General Purpose Industrial Motors

Severe Duty Motors

Large AC Motors

Washdown Duty Motors

Explosion Proof Motors

Pump Motors

HVAC Motors

Farm Duty Motors

**575 Volt,
Three Phase,
Explosion Proof****1/2 thru 40 Hp****NEMA 56 thru 324T**

Applications: 575 volt designs for use on pumps, fans, and conveyors where hazardous fumes and dust are present, requiring Div 1 UL listed and/or CSA approved enclosures.

Features: UL & CSA approved for Class I, Group D, Class II, Group F & G, T3C. Totally enclosed heavy gauge steel and cast iron construction. Corrosion resistant epoxy finish. 1.0 Service Factor. Super-E® explosion proof motors have NEMA Premium® efficiency and 3 year warranty. Fixed speed sine wave operation only.

Hp	RPM	NEMA Frame	Catalog Number	XP Cls/Grp	Temp Code	List Price	Mult. Sym.	"C" Dim.	Aprx. Wt. (lb)	Full Load Efficiency	Voltage	Full Load Amps	Notes (a)
Foot Mounted, No Drip Cover													
1/2	1800	56	M7006-5	②	T3C	719	K	14.30	34	78.5	575	0.7	-
3/4	1800	56	M7010-5	②	T3C	828	K	14.30	37	76	575	1.2	-
1	3600	56	M7013-5	②	T3C	869	K	13.22	30	75.5	575	1.2	-
	1800	56	M7014-5	②	T3C	907	K	14.30	40	75.5	575	1.5	-
1 1/2		143T	EM7014T-5	②	T3C	1,266	LS	14.36	42	85.5	575	1.2	-
	3600	143T	EM7018T-5	②	T3C	1,158	L1	14.36	45	84	575	1.5	-
	1800	145T	EM7034T-5	②	T3C	1,311	LS	15.23	51	86.5	575	1.8	-
2	3600	145T	EM7071T-5	②	T3C	1,186	L1	15.23	52	85.5	575	2	-
	1800	145T	EM7037T-5	②	T3C	1,431	LS	15.23	54	86.5	575	2.3	-
3	1800	182T	EM7042T-5	②	T3C	1,520	L1	17.42	84	89.5	575	3.3	-
5	3600	184T	EM7072T-5	②	T3C	1,745	L1	18.12	85	88.5	575	4.7	-
	1800	184T	EM7044T-5	②	T3C	1,883	L1	18.12	99	89.5	575	5.3	-
7 1/2	1800	213T	EM7047T-5	②	T3C	2,500	L1	20.32	161	91.7	575	7.6	-
10	1800	215T	EM7170T-5	②	T3C	3,525	L1	19.90	249	91.7	575	9.8	-
15	1800	254T	EM7054T-5	②	T3C	3,751	LS	25.50	364	92.4	575	14.5	-
20	1800	256T	EM7056T-5	②	T3C	4,860	LS	25.50	396	93	575	19.2	-
25	1800	284T	EM7058T-5	②	T3C	5,896	LS	28.61	534	93.6	575	24.5	-
30	1800	286T	EM7060T-5	②	T3C	7,188	L1	28.61	553	93.6	575	29	-
40	1800	324T	EM7062T-5	②	T3C	9,633	LS	32.00	729	94.1	575	39	-
C-Face, Footless, No Drip Cover													
1/2	1800	56C	VM7006-5	②	T3C	936	K	14.30	37	78.5	575	0.7	-
3/4	1800	56C	VM7010-5	②	T3C	953	K	14.30	38	76	575	1.2	-
1	1800	56C	VM7014-5	②	T3C	1,001	K	14.30	39	75.5	575	1.5	-
		143TC	VEM7014T-5	②	T3C	1,324	L1	14.33	44	85.5	575	1.2	-
		143TC	VM7014T-5	②	T3C	1,080	L1	14.36	41	82.5	575	1.3	-
1 1/2	1800	145TC	VEM7034T-5	②	T3C	1,443	L1	15.21	50	86.5	575	1.8	-
		145TC	VM7034T-5	②	T3C	1,164	L1	15.23	47	84	575	1.9	-
2	1800	145TC	VEM7037T-5	②	T3C	1,529	L1	15.21	54	86.5	575	2.3	-
		145TC	VM7037T-5	②	T3C	1,259	L1	15.23	49	84	575	2.5	-
3	1800	182TC	VEM7042T-5	②	T3C	1,727	L1	18.86	95	89.5	575	3.3	-
		182TC	VM7042T-5	②	T3C	1,614	L1	18.86	90	87.5	575	3.4	-
5	1800	184TC	VEM7044T-5	②	T3C	2,040	L1	20.36	110	89.5	575	5.3	-
		184TC	VM7044T-5	②	T3C	1,966	L1	18.80	113	87.5	575	5.2	-
7 1/2	1800	213TC	VM7047T-5	②	T3C	2,275	L1	19.19	157	89.5	575	8.1	-

(a) See notes on inside back flap.

② = Class I, Group D, Class II, Group F & G

■ Cast Iron Frame

CAUTION: Explosion-proof motors have a tight fit between mating parts to ensure the integrity of the explosion-proof enclosure. This can lead to an accumulation of moisture inside the motors due to condensation. Care should be used when selecting an explosion-proof motor, especially when installed outdoors and on intermittent duty. Consider the explosion-proof 575 Volt motors on pages 82-84 for outdoor applications. These explosion-proof motors are not suitable for use with adjustable speed drives, inverter duty explosion-proof motors must be used. See pages 88-90.

**Severe Duty,
Three Phase,
1.15 Service Factor**

3 thru 150 Hp

NEMA 182T thru 445T



Applications: Harsh industrial environments requiring protection against corrosion, that contain hazardous gas and vapor, dust fibers, filings or other material that may have explosive properties.

Features: UL & CSA listed for Class I (Gas), Group D, Class II (Dust), Group E, F, & G with a T3C temperature code. Totally enclosed cast iron construction. Brass labyrinth shaft slingers (Group E) installed on both ends of motor. Normally closed thermostats. Explosion Proof breather drains. Corrosion resistant epoxy finish. Motors have a Class F insulation system and a 1.15 service factor. Super-E® explosion proof motors have NEMA Premium® efficiency and 3 year warranty. Fixed speed sine wave operation only.

Hp	RPM	NEMA Frame	Catalog Number	XP Cls/Grp	Temp Code	List Price	Mult. Sym.	"C" Dim.	Aprx. Wt. (lb)	Full Load Efficiency	Voltage	Full Load Amps	Notes (a)
3	1800	182T	EM7542T-I	③	T3C	1,576	SD	17.59	143	89.5	230/460	4.1	
	1200	213T	EM7536T-I	③	T3C	2,264	SD	20.02	225	89.5	230/460	4.5	
5	3600	L184T	EM7572T-I	③	T3C	2,072	SD	17.12	156	88.5	230/460	6	
	1800	L184T	EM7544T-I	③	T3C	1,952	SD	17.12	160	89.5	230/460	6.6	
	1200	L215T	EM7540T-I	③	T3C	2,969	SD	20.20	234	89.5	230/460	6.8	
7 1/2	1800	213T	EM7547T-I	③	T3C	2,407	SD	20.02	225	91.7	230/460	9.5	35
	1200	254T	EM7548T-I	③	T3C	3,515	SD	25.81	397	91.7	230/460	10.7	30
10	3600	215T	EM7574T-I	③	T3C	2,930	SD	19.32	215	91	230/460	11.1	
	1800	L215T	EM7670T-I	③	T3C	3,250	SD	20.20	180	91.7	230/460	12.3	
	1200	256T	EM7565T-I	③	T3C	4,226	SD	24.57	395	91	230/460	12.5	
15	1800	254T	EM7554T-I	③	T3C	3,897	SD	25.81	375	92.4	230/460	18	30
20	3600	256T	EM7559T-I	③	T3C	4,249	SD	24.57	394	91.7	230/460	22.3	
	1800	256T	EM7556T-I	③	T3C	4,879	SD	24.56	403	93	230/460	24	
25	1800	284T	EM7558T-I	③	T3C	6,124	SD	28.61	526	93.6	230/460	30	30
30	1800	286T	EM7560T-I	③	T3C	7,480	SD	27.44	499	93.6	230/460	36.1	
40	1800	324T	EM7562T-I	③	T3C	10,008	SD	32.00	737	94.1	230/460	47	
	1800	326T	EM7564T-I	③	T3C	11,644	SD	30.45	818	94.5	230/460	58.8	
50	1200	365T	EM7585T-I	③	T3C	12,619	SD	33.44	1038	94.1	230/460	60.1	
	1800	364T	EM7566T-I	③	T3C	13,164	SD	33.44	1023	95	230/460	67.8	
75	1800	365T	EM7568T-I	③	T3C	13,703	SD	33.44	1072	95.4	230/460	84.1	
	1200	405T	EM7587T-I	③	T3C	16,847	SD	38.32	1368	95	230/460	86.9	
100	1800	405T	EM7590T-I	③	T3C	17,575	SD	38.32	1448	95.4	460	112	
	1200	444T	EM7599T-I	③	T3C	20,869	SD	44.62	1854	95	460	115	
125	1800	444T	EM7600T-I	③	T3C	21,217	SD	44.62	1881	95.8	460	139	
150	1800	445T	EM7596T-I	③	T3C	23,711	SD	44.62	2038	96.2	460	165	

(a) See notes on inside back flap.

③ = Class I, Group D, Class II, Group E, F & G

■ Cast Iron Frame

These motors expel condensation better than standard explosion proof designs. They are recommended for applications where motors may run intermittently, applications where explosion-proof motors are installed outdoors exposed to the environment, and may not be operated for extended periods of time. These explosion-proof motors are not suitable for use with adjustable speed drives. Inverter duty explosion-proof motors must be used. See pages 88-90.

General Information

Single Phase Motors

General Purpose Industrial Motors

Severe Duty Motors

Large AC Motors

Washdown Duty Motors

Explosion Proof Motors

Pump Motors

HVAC Motors

Farm Duty Motors

Drill Rig Duty, Three Phase, 1.15 Service Factor

1/2 thru 200 Hp

NEMA 56C thru 449T



Applications: On and off shore drill rig service, bulk fuel terminals, and transfer stations. For use in high humidity hazardous-duty applications driving pumps, compressors, blowers, fans, and many other loads that require 1.15 service factor explosion-proof motors. Designed with features for use in the petroleum industry. Includes Class I, Group C & D approval for use in areas where hydrogen sulfide is present.

Features: UL & CSA listed for Class I (Gas), Group C & D with a T3C temperature code. Totally enclosed heavy gauge steel and cast iron construction. Drive-end shaft slinger. UL listed explosion proof breather drain. Corrosion resistant epoxy finish. Class F Insulation and 1.15 service factor. 230/460 volt models have 60Hz & 50Hz data included on the nameplate. Suitable for 55 Degrees C at 1.0 service factor. Super-E® explosion proof motors have NEMA Premium® efficiency and 3 year warranty. Fixed speed sine wave operation only.

Hp	RPM	NEMA Frame	Catalog Number	XP Cls/Grp	Temp Code	List Price	Mult. Sym.	"C" Dim.	Aprx. Wt. (lb)	Full Load Efficiency	Voltage	Full Load Amps	Notes (a)
Foot Mounted													
1	3600	143T	EM7013T-I	④	T3C	1,298	SD	14.12	51	77	230/460	1.4	19
		143T	EM7013T-I-5	④	T3C	1,298	SD	14.12	51	84	575	1.1	-
	1800	143T	EM7014T-I	④	T3C	1,277	SD	14.22	55	85.5	230/460	1.5	19, 30
		143T	EM7014T-I-5	④	T3C	1,277	SD	14.22	55	85.5	575	1.2	-
1 1/2	1200	145T	EM7032T-I	④	T3C	1,416	SD	15.09	62	82.5	230/460	1.8	19, 30
	3600	143T	EM7018T-I	④	T3C	1,288	SD	14.12	54	84	230/460	1.9	19
		145T	EM7034T-I	④	T3C	1,323	SD	15.09	61	86.5	230/460	2.2	19, 30
	1200	182T	EM7020T-I	④	T3C	1,949	SD	18.27	102	87.5	230/460	2.4	19, 30
2	3600	145T	EM7071T-I	④	T3C	1,408	SD	15.09	62	85.5	230/460	2.5	19, 30
		145T	EM7071T-I-5	④	T3C	1,408	SD	15.09	62	85.5	575	2.0	-
	1800	145T	EM7037T-I	④	T3C	1,442	SD	15.97	65	86.5	230/460	2.9	19, 30
		145T	EM7037T-I-5	④	T3C	1,442	SD	15.09	65	86.5	575	2.3	-
3	1200	184T	EM7041T-I	④	T3C	2,008	SD	19.52	119	88.5	230/460	3.5	19
		182T	EM7026T-I	④	T3C	1,613	SD	16.77	91	86.5	230/460	3.7	19, 30
	3600	182T	EM7026T-I-5	④	T3C	1,613	SD	18.27	91	86.5	575	2.7	-
		182T	EM7042T-I	④	T3C	1,521	SD	18.27	107	89.5	230/460	4.2	19, 30
5	1800	182T	EM7042T-I-5	④	T3C	1,521	SD	18.27	106	89.5	575	3.3	-
		1200	213T	EM7036T-I	④	T3C	2,188	SD	20.32	185	89.5	230/460	4.6
	3600	184T	EM7072T-I	④	T3C	2,003	SD	18.27	114	90.2	230/460	5.6	19
		184T	EM7072T-I-5	④	T3C	2,003	SD	18.27	114	90.2	575	3.4	-
7 1/2	1800	184T	EM7044T-I	④	T3C	1,886	SD	19.52	122	89.5	230/460	6.5	19, 30
		184T	EM7044T-I-5	④	T3C	1,886	SD	19.52	126	89.5	575	5.2	-
	1200	215T	EM7040T-I	④	T3C	2,868	SD	22.32	170	89.5	230/460	7.3	19, 30
		213T	EM7045T-I	④	T3C	2,407	SD	19.57	166	89.5	230/460	8.6	19
10	3600	213T	EM7045T-I-5	④	T3C	2,407	SD	19.57	166	89.5	575	7	-
		213T	EM7047T-I	④	T3C	2,325	SD	20.32	161	91.7	230/460	9.4	19, 30
	1800	213T	EM7047T-I-5	④	T3C	2,325	SD	20.32	161	91.7	575	7.6	-
		1200	254T	EM7048T-I	④	T3C	3,396	SD	25.50	389	91	230/460	10.7
15	3600	215T	EM7174T-I	④	T3C	2,831	SD	20.03	235	90.2	230/460	11.8	19
		215T	EM7174T-I-5	④	T3C	2,831	SD	20.03	235	90.2	575	9.3	-
	1800	215T	EM7170T-I	④	T3C	3,138	SD	20.03	252	92.4	230/460	12.3	19
		215T	EM7170T-I-5	④	T3C	3,138	SD	20.03	252	92.4	575	10.1	-
15	1200	256T	EM7065T-I	④	T3C	4,083	SD	25.50	400	91	230/460	15	19, 30
		254T	EM7053T-I	④	T3C	3,201	SD	25.50	352	91	230/460	17.5	19
	3600	254T	EM7053T-I-5	④	T3C	3,201	SD	25.50	352	91	575	13.7	-
		254T	EM7054T-I	④	T3C	3,766	SD	25.50	375	92.4	230/460	18	19, 30
1800	254T	EM7054T-I-5	④	T3C	3,766	SD	25.50	374	92.4	575	14.5	-	
	1200	284T	EM7057T-I	④	T3C	6,581	SD	28.61	529	91.7	230/460	20	19

(a) See notes on inside back flap.

④ = Class I, Group C & D

■ Cast Iron Frame Red Catalog Number indicates NEW Product.

These motors expel condensation better than standard explosion proof designs. They are recommended for applications where motors may run intermittently, applications where explosion-proof motors are installed outdoors exposed to the environment, and may not be operated for extended periods of time. These explosion-proof motors are not suitable for use with adjustable speed drives. Inverter duty explosion-proof motors must be used. See pages 88-90.

Drill Rig Duty, Three Phase, 1.15 Service Factor

Hp	RPM	NEMA Frame	Catalog Number	XP Cls/Grp	Temp Code	List Price	Mult. Sym.	"C" Dim.	Aprx. Wt. (lb)	Full Load Efficiency	Voltage	Full Load Amps	Notes (a)
3	3600	182TC	CEM7026T-I	④	T3C	1928	SD	18.09	80	86.5	230/460	3.7	19, 30
		182TC	CEM7026T-I-5	④	T3C	1928	SD	18.09	80	86.5	575	2.9	-
	1800	182TC	CEM7042T-I	④	T3C	1,866	SD	19.59	117	89.5	230/460	4.2	19, 30
		182TC	CEM7042T-I-5	④	T3C	1,866	SD	19.59	106	89.5	575	3.3	-
	1200	213TC	CEM7036T-I	④	T3C	2529	SD	21.07	175	89.5	230/460	4.6	19, 30
5	3600	184TC	CEM7072T-I	④	T3C	2318	SD	19.59	91	90.2	230/460	5.6	19
		184TC	CEM7072T-I-5	④	T3C	2318	SD	19.59	91	88.5	575	4.8	-
	1800	184TC	CEM7044T-I	④	T3C	2,256	SD	20.84	136	89.5	230/460	6.5	19, 30
		184TC	CEM7044T-I-5	④	T3C	2,256	SD	20.84	126	89.5	575	5.2	-
	1200	215TC	CEM7040T-I	④	T3C	3209	SD	23.07	175	89.5	230/460	7.3	19, 30
7 1/2	3600	213TC	CEM7045T-I	④	T3C	2748	SD	20.32	149	89.5	230/460	9	19
		213TC	CEM7045T-I-5	④	T3C	2748	SD	20.32	149	89.5	575	7	-
	1800	213TC	CEM7047T-I	④	T3C	2,646	SD	21.07	161	91.7	230/460	9.4	19, 30
		213TC	CEM7047T-I-5	④	T3C	2,646	SD	21.07	161	91.7	575	7.6	-
	1200	254TC	CEM7048T-I	④	T3C	4749	SD	26.00	396	91	230/460	10.7	19, 30
10	3600	215TC	CEM7174T-I	④	T3C	3172	SD	20.77	240	90.2	230/460	11.8	19
		215TC	CEM7174T-I-5	④	T3C	3172	SD	20.77	240	90.2	575	9.3	-
	1800	215TC	CEM7170T-I	④	T3C	3,219	SD	20.77	252	92.4	230/460	12.3	19
		215TC	CEM7170T-I-5	④	T3C	3,219	SD	20.77	252	92.4	575	10.1	-
	1200	256TC	CEM7065T-I	④	T3C	5,436	SD	26.00	407	91	230/460	15	19, 30
15	3600	254TC	CEM7053T-I	④	T3C	4,554	SD	26.00	359	91	230/460	17.2	19
		254TC	CEM7053T-I-5	④	T3C	4,554	SD	26.00	359	91	575	13.7	-
	1800	254TC	CEM7054T-I	④	T3C	5,324	SD	26.00	385	92.4	230/460	18	19, 30
		254TC	CEM7054T-I-5	④	T3C	5,324	SD	26.00	374	92.4	575	14.5	-
	1200	284TC	CEM7057T-I	④	T3C	8,317	SD	28.61	537	91.7	230/460	20	19
20	3600	256TC	CEM7059T-I	④	T3C	5,458	SD	26.00	416	91	230/460	20	19, 30
		256TC	CEM7059T-I-5	④	T3C	5,458	SD	26.00	416	91	575	20	-
	1800	256TC	CEM7056T-I	④	T3C	6,310	SD	26.00	409	93	230/460	24	19, 30
		256TC	CEM7056T-I-5	④	T3C	6,310	SD	26.00	397	93	575	19.2	-
	1200	286TC	CEM7079T-I	④	T3C	8,493	SD	28.61	566	91.7	230/460	25	19, 30
25	3600	284TSC	CEM7063T-I	④	T3C	7,199	SD	27.23	560	91.7	230/460	28.5	19
		284TSC	CEM7063T-I-5	④	T3C	7,199	SD	27.23	560	91.7	575	22.8	-
	1800	284TC	CEM7058T-I	④	T3C	7,727	SD	28.61	563	93.6	230/460	30.5	19, 30
		284TC	CEM7058T-I-5	④	T3C	7,727	SD	28.61	559	93.6	575	24.5	-
	1200	324TC	CEM7082T-I	④	T3C	10,850	SD	32.00	772	93	230/460	32	19, 30
30	3600	286TSC	CEM7083T-I	④	T3C	8,157	SD	27.23	573	91.7	230/460	33	19
		286TSC	CEM7083T-I-5	④	T3C	8,157	SD	27.23	573	91.7	575	26	-
	1800	286TC	CEM7060T-I	④	T3C	8,967	SD	28.61	572	93.6	230/460	36	19, 30
		286TC	CEM7060T-I-5	④	T3C	8,967	SD	28.61	573	93.6	575	29	-
	1200	326TC	CEM7080T-I	④	T3C	11,722	SD	32.00	792	93	230/460	39	19, 30
40	3600	324TSC	CEM7067T-I	④	T3C	10,966	SD	30.50	750	92.4	230/460	45	19
		324TSC	CEM7067T-I-5	④	T3C	10,966	SD	30.50	751	92.4	575	36	-
	1800	324TC	CEM7062T-I	④	T3C	11,961	SD	32.00	721	94.1	230/460	48	19
		324TC	CEM7062T-I-5	④	T3C	11,961	SD	32.00	720	94.1	575	39	-
	1200	364TC	CEM7084T-I	④	T3C	13,472	SD	33.44	886	94.1	230/460	47.2	19, 30
50	3600	326TSC	CEM7081T-I	④	T3C	13,368	SD	30.50	750	93	230/460	56	19, 30
		326TSC	CEM7081T-I-5	④	T3C	13,368	SD	30.50	750	93	575	45	-
	1800	326TC	CEM7064T-I	④	T3C	13,601	SD	32.00	771	94.5	230/460	59	19, 30
		326TC	CEM7064T-I-5	④	T3C	13,601	SD	32.00	841	94.5	575	47	-
60	1800	364TC	CEM7066T-I	④	T3C	15,388	SD	33.44	910	95	230/460	67.8	19, 30
75	1800	365TC	CEM7068T-I	④	T3C	15,909	SD	33.44	977	95.4	230/460	84.1	19, 30
100	1800	405TC	CEM7090T-I	④	T3C	19,650	SD	38.31	1375	95.4	230/460	112	19, 30

(a) See notes on inside back flap.

④ = Class I, Group C & D

■ Cast Iron Frame

Red Catalog Number indicates **NEW** Product.

These motors expel condensation better than standard explosion proof designs. They are recommended for applications where motors may run intermittently, applications where explosion-proof motors are installed outdoors exposed to the environment, and may not be operated for extended periods of time. These explosion-proof motors are not suitable for use with adjustable speed drives. Inverter duty explosion-proof motors must be used. See pages 88-90.

Drill Rig Duty, Three Phase, 1.15 Service Factor

Hp	RPM	NEMA Frame	Catalog Number	XP Cls/Grp	Temp Code	List Price	Mult. Sym.	"C" Dim.	Aprx. Wt. (lb)	Full Load Efficiency	Voltage	Full Load Amps	Notes (a)
C-Face, Footless													
1/2	1800	56C	VM7006-I	④	T3C	858	SD	13.14	51	80	230/460	0.8	19, 30, 60
3/4	1800	56C	VM7010-I	④	T3C	953	SD	14.31	48	78.5	230/460	1.4	19
1	1800	56C	VM7014-I	④	T3C	1,001	SD	14.31	51	82.5	230/460	1.6	19
		143TC	VM7014T-I	④	T3C	1,080	SD	14.36	51	82.5	230/460	1.6	19
1 1/2	1800	56C	VM7034-I	④	T3C	1,078	SD	15.17	55	84	230/460	2.4	19
		145TC	VM7034T-I	④	T3C	1,164	SD	15.23	58	84	230/460	2.4	19
2	1800	145TC	VM7037T-I	④	T3C	1,259	SD	15.23	60	84	230/460	3.1	19
3	1800	182TC	VM7042T-I	④	T3C	1,614	SD	19.59	106	87.5	230/460	4.1	19
5	1800	184TC	VM7044T-I	④	T3C	1,966	SD	19.59	120	87.5	230/460	6.7	19
7 1/2	1800	213TC	VM7047T-I	④	T3C	2,275	SD	21.07	165	89.5	230/460	10.2	19, 30
10	1800	215TC	VM7170T-I	④	T3C	2,760	SD	20.77	230	89.5	230/460	12.7	19, 30
15	1800	254TC	VEM7054T-I	④	T3C	4,609	SD	26.00	374	92.4	230/460	18	19, 30
20	1800	256TC	VEM7056T-I	④	T3C	5,467	SD	26.00	393	93	230/460	24	19, 30
25	1800	284TC	VEM7058T-I	④	T3C	6,688	SD	28.67	560	93.6	230/460	30.5	19, 30
30	1800	286TC	VEM7060T-I	④	T3C	7,767	SD	28.67	572	93.6	230/460	36	19, 30
40	1800	324TC	VEM7062T-I	④	T3C	10,349	SD	32.00	721	94.1	230/460	48	19
50	1800	326TC	VEM7064T-I	④	T3C	11,776	SD	32.00	771	94.5	230/460	59	19, 30

(a) See notes on inside back flap.

④ = Class I, Group C & D

■ Cast Iron Frame

Red Catalog Number indicates **NEW** Product.

These motors expel condensation better than standard explosion proof designs. They are recommended for applications where motors may run intermittently, applications where explosion-proof motors are installed outdoors exposed to the environment, and may not be operated for extended periods of time. These explosion-proof motors are not suitable for use with adjustable speed drives. Inverter duty explosion-proof motors must be used. See pages 88-90.

General Information

Single Phase Motors

General Purpose Industrial Motors

Severe Duty Motors

Large AC Motors

Washdown Duty Motors

Explosion Proof Motors

Pump Motors

HVAC Motors

Farm Duty Motors

BALDOR • RELIANCE

**Drill Rig Duty,
Single Phase,
C-Face,
1.15 Service Factor,
Foot Mounted**

1/3 thru 1 Hp

NEMA 56C

Applications: On and off shore drill rig service, bulk fuel terminals, and transfer stations. For use in high humidity hazardous-duty applications driving pumps, compressors, blowers, fans, and many other loads that require 1.15 service factor explosion-proof motors. Designed with features for use in the petroleum industry. Includes Class I, Group C & D approval for use in areas where hydrogen sulfide is present.

Features: UL & CSA listed for Class I (Gas), Group C & D with a T3C temperature code. Totally enclosed heavy gauge steel construction. Drive-end shaft slinger. UL listed explosion proof breather drain. Corrosion resistant epoxy finish. Class F Insulation and 1.15 service factor.



Hp	RPM	NEMA Frame	Catalog Number	XP Cls/Grp	Temp Code	List Price	Mult. Sym.	"C" Dim.	Aprx. Wt. (lb)	Full Load Efficiency	Voltage	Full Load Amps	Notes (a)
1/3	1800	56C	CL5001-I	④	T3C	911	K	14.31	47	55	115/208-230	3.3	-
1/2	1800	56C	CL5004-I	④	T3C	912	K	14.31	53	68	115/208-230	3.7	-
3/4	1800	56C	CL5007-I	④	T3C	974	K	15.17	60	68	115/208-230	5.3	-
1	1800	56C	CL5023-I	④	T3C	1,049	K	16.05	66	68	115/230	6	30

(a) See notes on inside back flap.

④ = Class I, Group C & D

These motors expel condensation better than standard explosion proof designs. They are recommended for applications such as fuel transfer terminals and fuel truck loading facilities where motors may run intermittently, applications where explosion-proof motors are installed outdoors exposed to the environment, and may not be operated for extended periods of time. These explosion-proof motors are not suitable for use with adjustable speed drives. Inverter duty explosion-proof motors must be used. See pages 88-90.

**Drill Rig Duty,
Close Coupled Pump**

3 thru 10 Hp

182JP thru 184JP

Applications: On and off shore drill rig service, bulk fuel terminals, and transfer stations. For use in high humidity hazardous-duty applications driving pump loads that require 1.15 service factor explosion-proof motors. Designed with features for use in the petroleum industry. Includes Class I, Group C & D approval for use in areas where hydrogen sulfide is present.

Features: Labyrinth-type recessed shaft slinger for increased bearing protection. Explosion-proof breather/drain to prevent build up of condensation. 55°C ambient, Class F insulation. Corrosion resistant finish with two part epoxy coating. UL and CSA approved for Division 1, Class I, Group C & D. 1.15 service factor (EJPM71170T-I has 1.0 S.F.). Super-E® motors have NEMA Premium® efficiency and 3 year warranty.



Hp	RPM	NEMA Frame	Catalog Number	XP Cls/Grp	Temp Code	List Price	Mult. Sym.	"C" Dim.	Aprx. Wt. (lb)	Full Load Efficiency	Voltage	Full Load Amps	Notes (a)
3	1800	182JP	EJPM7142T-I	④	T3C	2,112	L1	22.09	127	89.5	230/460	4.1	1, 19, 30
5	1800	184JP	EJPM7144T-I	④	T3C	2,472	L1	22.09	152	89.5	230/460	6.6	1, 19, 30
7 1/2	1800	213TCZ	EJPM71147T-I	④	T3C	2,804	L1	25.65	225	91.7	230/460	9.5	1, 19, 97
10	1800	215TCZ	EJPM71170T-I	④	T3C	3,473	L1	25.65	252	92.4	230/460	12.3	19, 97

(a) See notes on inside back flap. ■ Cast Iron Frame

④ = Class I, Group C & D

These motors expel condensation better than standard explosion proof designs. They are recommended for applications such as fuel transfer terminals and fuel truck loading facilities where motors may run intermittently, applications where explosion-proof motors are installed outdoors exposed to the environment, and may not be operated for extended periods of time. These explosion-proof motors are not suitable for use with adjustable speed drives. Inverter duty explosion-proof motors must be used. See pages 88-90.

General Information

Single Phase Motors

General Purpose Industrial Motors

Severe Duty Motors

Large AC Motors

Washdown Duty Motors

Explosion Proof Motors

Pump Motors

HVAC Motors

Farm Duty Motors

Jet Pump, Footless

1/2 thru 2 Hp

NEMA 56J



Applications: Ideal for use on pumping applications where hazardous fumes and dust are present requiring Div 1 UL listed and/or CSA approved enclosures.

Features: UL & CSA approved for Class I, Group D, Class II, Group F & G. NEMA 56J Jet pump mounting. Totally enclosed heavy gauge steel construction. Corrosion resistant epoxy paint. Stainless steel drive end shaft extension. Non-drive end shaft extension is slotted for ease of installation and maintenance. Single or Three Phase designs. 1.0 Service Factor. Fixed speed sine wave operation only.

Hp	RPM	NEMA Frame	Catalog Number	XP Cls/Grp	Temp Code	List Price	Mult. Sym.	"C" Dim.	Aprx. Wt. (lb)	Full Load Efficiency	Voltage	Full Load Amps	Notes (a)
Single Phase													
1/2	3600	56J	JL5003A	Ⓜ	T4	691	K	14.79	37	55	115/230	3.9	-
3/4	3600	56J	JL5006A	Ⓜ	T4	773	K	15.68	37	62	115/230	4.9	-
1	3600	56J	JL5009A	Ⓜ	T4	828	K	15.68	49	66	115/230	6	-
1 1/2	3600	56J	JL5030	Ⓜ	T3C	1,065	K	15.68	52	70	115/208-230	7.5	-
2	3600	56J	JL5031	Ⓜ	T3C	1,157	K	16.56	60	74	115/208-230	11.5	-
Three Phase													
1	3600	56J	JM7013	Ⓜ	T3C	918	K	13.72	30	75.5	230/460	1.8	30
1 1/2	3600	56J	JM7018	Ⓜ	T3C	936	K	14.79	41	75.5	208-230/460	2.3	-
2	3600	56J	JM7071	Ⓜ	T3C	980	K	15.67	48	78.5	208-230/460	2.7	-

(a) See notes on inside back flap.

Ⓜ = Class I, Group D, Class II, Group F & G

CAUTION: Explosion-proof motors have a tight fit between mating parts to ensure the integrity of the explosion-proof enclosure. This can lead to an accumulation of moisture inside the motors due to condensation. Care should be used when selecting an explosion-proof motor, especially when installed outdoors and on intermittent duty. The Explosion-proof motors are not suitable for use with adjustable speed drives. Inverter Duty Explosion-proof motors must be used. See pages 88-90.

Close-Coupled Pump, Three Phase

3 thru 10 Hp

NEMA 145JM thru 215JM



Applications: Applications for circulating and transferring fluids where hazardous fumes are present requiring Div 1 UL listed and/or CSA approved enclosures.

Features: UL & CSA approved for Class I, Group D, Temperature Code T2C. NEMA JM pump mounting. Totally enclosed heavy gauge steel construction. Corrosion resistant epoxy paint. Over-sized ball bearings with locked drive end construction. Three Phase designs with 1.0 Service Factor. Fixed speed sine wave operation only.

Hp	RPM	NEMA Frame	Catalog Number	XP (a) Cls/Grp	Temp Code	List Price	Mult. Sym.	"C" Dim.	Aprx. Wt. (lb)	Full Load Efficiency	Voltage	Full Load Amps	Notes (a)
3	3600	145JM	JMM7075T	Ⓜ	T3C	1,466	L1	18.67	69	85.5	208-230/460	3.7	-
		182JM	JMM7026T	Ⓜ	T2C	1,466	L1	18.98	88.5	85.5	208-230/460	3.7	-
5	3600	184JM	JMM7072T	Ⓜ	T2C	1,981	L1	20.36	110	87.5	230/460	5.6	-
		184JM	JMM7073T	Ⓜ	T2C	2,227	L1	21.88	118	88.5	230/460	8.7	-
7 1/2	3600	213JM	JMM7045T	Ⓜ	T2C	2,610	L1	20.05	165	88.5	230/460	9.5	-
		215JM	JMM7074T	Ⓜ	T2C	2,956	L1	20.05	165	90.2	230/460	12	-

(a) See notes on inside back flap.

Ⓜ = Class I, Group D

CAUTION: Explosion-proof motors have a tight fit between mating parts to ensure the integrity of the explosion-proof enclosure. This can lead to an accumulation of moisture inside the motors due to condensation. Care should be used when selecting an explosion-proof motor, especially when installed outdoors and on intermittent duty. The Explosion-proof motors are not suitable for use with adjustable speed drives. Inverter Duty Explosion-proof motors must be used. See pages 88-90.

General Information

Single Phase Motors

General Purpose Industrial Motors

Severe Duty Motors

Large AC Motors

Washdown Duty Motors

Explosion Proof Motors

Pump Motors

HVAC Motors

Farm Duty Motors

BALDOR • RELIANCE®

**Explosion Proof,
Inverter Duty,
Class I, Group D,
Foot Mounted**

20 thru 75 Hp

NEMA 284T thru 405T

Applications: Designed for Variable Speed, foot mounted applications where hazardous fumes are present requiring Div 1 UL listed and/or CSA approved enclosures.

Features: UL and CSA approved for hazardous locations. Division 1, Class I, Group D only, Temperature Code T2B (260°C). Rugged Cast Iron construction. Class F insulation, 1.0 service factor and normally closed thermostats. All 4 Pole ratings are constant horsepower 60 to 90 Hz. Not encoder adaptable. Meets NEMA MG 1, Part 31.



Hp	Base Speed RPM	C.H. Speed RPM	NEMA Frame	Catalog Number	XP Cls/Grp	Temp Code	List Price	Mult. Sym.	"C" Dim.	Aprx. Wt. (lb)	Full Load Efficiency	Voltage	Full Load Amps	Notes (a)
2:1 Constant Torque, 10:1 Variable Torque Ratings														
25	1800	2700	284T	IDXM7058T	Ⓛ	T2B	6,190	L1	28.61	536	93.6	230/460	30.5	
30	1800	2700	286T	IDXM7060T	Ⓛ	T2B	7,550	L1	28.61	561	93.6	230/460	38	
40	1800	2700	324T	IDXM7062T	Ⓛ	T2B	10,113	L1	32.00	748	94.1	230/460	48	
50	1800	2700	326T	IDXM7064T	Ⓛ	T2B	11,765	L1	32.00	764	94.5	230/460	58	
60	1800	2700	364T	IDXM7066T	Ⓛ	T2B	13,433	L1	33.44	1024	95	230/460	68	
75	1800	2700	405T	IDXM7068T	Ⓛ	T2B	14,892	L1	38.31	1391	95	230/460	83	
10:1 Constant Torque and Variable Torque Ratings														
20	1800	2700	284T	IDXM7556T	Ⓛ	T2B	6,485	L1	28.61	526	93	230/460	23	
25	1800	2700	324T	IDXM7558T	Ⓛ	T2B	7,808	L1	32.00	708	93.6	230/460	30	
30	1800	2700	326T	IDXM7560T	Ⓛ	T2B	9,088	L1	32.00	738	93.6	230/460	37	
40	1800	2700	364T	IDXM7562T	Ⓛ	T2B	11,065	L1	33.44	1013	95	230/460	48.2	
50	1800	2700	365T	IDXM7564T	Ⓛ	T2B	12,680	L1	33.44	1034	93.6	230/460	61.6	
60	1800	2700	405T	IDXM7566T	Ⓛ	T2B	15,021	L1	38.31	1262	93.6	230/460	67.6	

**Explosion Proof,
Inverter Duty,
Class I, Group D
C-Face, Foot Mounted**

3 thru 20 Hp

NEMA 182TC thru 256TC

Applications: Designed for Variable Speed, Flanged mounted applications where hazardous fumes are present requiring Div 1 UL listed and/or CSA approved enclosures.

Features: UL and CSA approved for hazardous locations. Division 1, Class I, Group D only, Temperature Code T2B (260°C). Rugged Cast Iron construction. Class F insulation, 1.0 service factor and normally closed thermostats. All 4 Pole ratings are constant horsepower 60 to 90 Hz. Not encoder adaptable. Meets NEMA MG 1, Part 31.



Hp	Base Speed RPM	C.H. Speed RPM	NEMA Frame	Catalog Number	XP Cls/Grp	Temp Code	List Price	Mult. Sym.	"C" Dim.	Aprx. Wt. (lb)	Full Load Efficiency	Voltage	Full Load Amps	Notes (a)
C-Face Foot Mounted, 2:1 Constant Torque, 10:1 Variable Torque Ratings														
3	1800	2700	182TC	IDXM7142T	Ⓛ	T2B	1,715	L1	18.24	145	89.5	230/460	4.1	
5	1800	2700	184TC	IDXM7144T	Ⓛ	T2B	2,040	L1	18.24	161	89.5	230/460	6.5	
7 1/2	1800	2700	213TC	IDXM7147T	Ⓛ	T2B	2,565	L1	20.69	227	91.7	230/460	9.5	
10	1800	2700	215TC	IDXM7170T	Ⓛ	T2B	3,516	L1	20.69	231	92.4	208-230/460	12.5	
15	1800	2700	254TC	IDXM7054T	Ⓛ	T2B	4,026	L1	26.00	383	92.4	230/460	18	
20	1800	2700	256TC	IDXM7056T	Ⓛ	T2B	5,224	L1	26.00	408	93	230/460	24	
C-Face Foot Mounted, 10:1 Constant Torque and Variable Torque Ratings														
3	1800	2700	182TC	IDXM7542T	Ⓛ	T2B	1,799	L1	18.24	146	89.5	230/460	4.1	
5	1800	2700	213TC	IDXM7544T	Ⓛ	T2B	2,621	L1	20.65	212	90.2	230/460	6.7	
7 1/2	1800	2700	215TC	IDXM7547T	Ⓛ	T2B	3,685	L1	20.65	226	91.7	230/460	9.5	
10	1800	2700	254TC	IDXM7570T	Ⓛ	T2B	4,124	L1	26.00	392	91.7	230/460	12.4	
15	1800	2700	256TC	IDXM7554T	Ⓛ	T2B	5,348	L1	26.00	392	92.4	230/460	17	

Ⓛ = Class I, Group D

■ Cast Iron Frame

CAUTION: Explosion-proof motors have a tight fit between mating parts to ensure the integrity of the explosion-proof enclosure. This can lead to an accumulation of moisture inside the motors due to condensation. Care should be used when selecting an explosion-proof motor, especially when installed outdoors and on intermittent duty.

**Explosion Proof,
Inverter Duty,
Class I, Group D
Class II, Group F&G
C-Face, Foot Mounted,
10:1 CT, 10:1 VT**

1/3 thru 2 Hp

NEMA 56C thru 145TC



Applications: Designed for Variable Speed, Foot or Flanged mounted applications where hazardous fumes are present requiring Div 1 UL listed and/or CSA approved enclosures.

Features: UL and CSA approved for hazardous locations. Division 1, Class I, Group D, Class II, Groups F & G, Temperature Code T3C (160°C) 10:1 CT, 10:1 VT. Heavy gauge steel frame and cast conduit box construction. Class F insulation, 1.0 service factor, normally closed thermostats. All ratings constant horsepower 60 to 90 Hz. Not encoder adaptable. Meets NEMA MG 1, Part 31.

Hp	Base Speed RPM	C.H. Speed RPM	NEMA Frame	Catalog Number	XP Cls/Grp	Temp Code	List Price	Mult. Sym.	"C" Dim.	Aprx. Wt. (lb)	Full Load Efficiency	Voltage	Full Load Amps	Notes (a)
1/3	1800	2700	56C	IDX7002	②	T3C	1,190	L1	14.30	43	80	230/460	0.55	
1/2	1800	2700	56C	IDX7006	②	T3C	1,223	L1	14.30	39	82.5	230/460	0.8	
3/4	1800	2700	56C	IDX7010	②	T3C	1,250	L1	14.30	43	84	230/460	1.1	
1	1800	2700	143TC	IDX7014T	②	T3C	1,392	L1	14.30	52	85.5	230/460	1.5	
1 1/2	1800	2700	145TC	IDX7034T	②	T3C	1,442	L1	15.20	60	86.5	230/460	2.2	
2	1800	2700	145TC	IDX7037T	②	T3C	1,577	L1	16.10	63	88.5	230/460	2.8	

② = Class I, Group D, Class II, Group F & G

CAUTION: Explosion-proof motors have a tight fit between mating parts to ensure the integrity of the explosion-proof enclosure. This can lead to an accumulation of moisture inside the motors due to condensation. Care should be used when selecting an explosion-proof motor, especially when installed outdoors and on intermittent duty.

General Information

Single Phase Motors

General Purpose Industrial Motors

Severe Duty Motors

Large AC Motors

Washdown Duty Motors

Explosion Proof Motors

Pump Motors

HVAC Motors

Farm Duty Motors

BALDOR • RELIANCE**NEW!****Explosion Proof Motors**

**Explosion Proof,
Inverter Duty,
Class I, Group C&D;
Class II, Group F&G
T3C (160°C)
Temperature Code,
4:1 CT, 10:1 VT**

3 thru 75 Hp**NEMA 182T thru 365T**

Applications: Designed for Variable Speed, Foot or Flanged mounted applications where hazardous fumes are present requiring Div 1 UL listed and/or CSA approved enclosures.

Features: UL and CSA approved for hazardous locations. Division 1, Class I, Group C & D, Class II, Groups F & G, Temperature Code T3C (160°C) 4:1 CT, 10:1 VT. The premium efficient electrical design features Class F insulation system that meets the requirements of NEMA MG1 Part 31.4.4.2. Motor has a 1.0 service factor on inverter power and a 1.15 service factor on sine wave power. Motor winding design includes thermostats. These Division 1 motors are built with rugged all cast iron construction. The cast iron conduit box is threaded on to the motor frame and has a threaded lead input opening.



Hp	Base Speed RPM	C.H. Speed RPM	NEMA Frame	Catalog Number	XP Cls/Grp	Temp Code	List Price	Mult. Sym.	"C" Dim.	Aprx. Wt. (lb)	Full Load Efficiency	Voltage	Full Load Amps	Notes (a)
Foot Mounted														
3	1800	2700	L182T	IDXM7542T-C	⑤	T3C	1,577	L1	17.12	175	89.5	230/460	4.3	20
5	1800	2700	L184T	IDXM7544T-C	⑤	T3C	1,902	L1	17.12	225	89.5	230/460	7.1	20
7.5	1800	2700	L213T	IDXM7547T-C	⑤	T3C	2,468	L1	20.12	250	91.7	230/460	9.5	20
10	1800	2700	L215T	IDXM7570T-C	⑤	T3C	3,419	L1	20.12	300	91.7	230/460	12.7	20
15	1800	2700	254T	IDXM7554T-C	⑤	T3C	3,846	L1	24.56	350	92.4	230/460	17.8	20
20	1800	2700	256T	IDXM7556T-C	⑤	T3C	5,044	L1	24.56	400	93	230/460	24.3	20
25	1800	2700	284T	IDXM7558T-C	⑤	T3C	6,700	L1	27.44	450	93.6	230/460	30.6	20
30	1800	2700	286T	IDXM7560T-C	⑤	T3C	8,060	L1	27.44	500	93.6	230/460	37.4	20
40	1800	2700	324T	IDXM7562T-C	⑤	T3C	10,723	L1	30.44	825	94.1	230/460	47.8	20
50	1800	2700	326T	IDXM7564T-C	⑤	T3C	12,375	L1	30.44	900	94.5	230/460	59.4	20
60	1800	2700	364T	IDXM7566T-C	⑤	T3C	14,266	L1	33.44	965	95	230/460	68	20
75	1800	2700	365T	IDXM7568T-C	⑤	T3C	14,725	L1	33.44	1326	95.4	230/460	85.9	20
C-Face Foot Mounted														
3	1800	2700	L182TC	IDXCM7542T-C	⑤	T3C	1,892	L1	17.88	175	89.5	230/460	4.3	20
5	1800	2700	L184TC	IDXCM7544T-C	⑤	T3C	2,217	L1	17.88	225	89.5	230/460	7.1	20
7.5	1800	2700	L213TC	IDXCM7547T-C	⑤	T3C	2,809	L1	20.88	250	91.7	230/460	9.5	20
10	1800	2700	L215TC	IDXCM7570T-C	⑤	T3C	3,760	L1	20.88	300	91.7	230/460	12.7	20
15	1800	2700	254TC	IDXCM7554T-C	⑤	T3C	4,359	L1	25.06	350	92.4	230/460	17.8	20
20	1800	2700	256TC	IDXCM7556T-C	⑤	T3C	5,557	L1	25.06	400	93	230/460	24.3	20
25	1800	2700	284TC	IDXCM7558T-C	⑤	T3C	7,558	L1	27.44	450	93.6	230/460	30.6	20
30	1800	2700	286TC	IDXCM7560T-C	⑤	T3C	8,918	L1	27.44	500	93.6	230/460	37.4	20
40	1800	2700	324TC	IDXCM7562T-C	⑤	T3C	11,963	L1	30.44	825	94.1	230/460	47.8	20
50	1800	2700	326TC	IDXCM7564T-C	⑤	T3C	13,615	L1	30.44	900	94.5	230/460	59.4	20
60	1800	2700	364TC	IDXCM7566T-C	⑤	T3C	15,841	L1	33.44	910	95	230/460	68	20
75	1800	2700	365TC	IDXCM7568T-C	⑤	T3C	16,300	L1	33.44	965	95.4	230/460	85.9	20

■ Cast Iron Frame

⑤ = Class I, Group C & D, Class II, Group F & G

CAUTION: Explosion-proof motors have a tight fit between mating parts to ensure the integrity of the explosion-proof enclosure. This can lead to an accumulation of moisture inside the motors due to condensation. Care should be used when selecting an explosion-proof motor, especially when installed outdoors and on intermittent duty.

NEW!

**Jet Pump,
Single Phase, TEFC**

1/3 thru 2 Hp

NEMA 56J

Applications: Residential and industrial pumps, swimming pool pumps, etc.



Features: Diecast aluminum end plates with machined steel bearing seat insert. Stainless steel shaft extension, and slotted non-drive end shaft. Catalog numbers ending with “A” have automatic thermal overload.

Hp	RPM	NEMA Frame	Catalog Number	List Price	Mult. Sym.	“C” Dim.	Aprx. Wt. (lb)	Full Load Efficiency	Voltage	Full Load Amps	Notes (a)
Foot Mounted											
1/3	1800	56J	CJL3501A	423	K	11.84	23	60	115/230	3	30
1/2	1800	56J	CJL3504A	498	K	12.47	28	68	115/230	3.7	30
3/4	1800	56J	CJL3507A	607	K	12.97	35	74	115/230	4.1	30
1	3600	56J	CJL3509A	614	K	13.74	39	66	115/230	6	
1.5	3600	56J	CJL3513A	675	K	13.74	47	70	115/230	8.3	
2	3600	56J	CJL3515A	793	K	14.62	51	74	115/230	11.5	
Footless											
1/3	3600	56J	JL3405A	313	K	11.85	19	60	115/230	3	
	1800	56J	JL3501A	391	K	11.85	22	60	115/230	3	30
1/2	3600	56J	JL3503A	359	K	12.85	26	62	115/230	3.7	30
	1800	56J	JL3504A	454	K	12.85	27	68	115/230	3.7	30
3/4	3600	56J	JL3506A	427	K	12.85	29	66	115/230	5.4	30
	1800	56J	JL3507A	539	K	12.97	33	74	115/230	4.1	30
1	3600	56J	JL3509A	522	K	13.74	42	66	115/230	6	
	1800	56J	JL3510A	619	K	13.74	40	67	115/230	6.2	
1 1/2	3600	56J	JL3513A	619	K	13.74	45	70	115/230	8.3	30
	1800	56J	JL3514A	679	K	14.62	51	75.5	115/230	8	
2	3600	56J	JL3515A	727	K	14.62	54	74	115/230	11.5	
	1800	56J	JL3516A	773	K	14.62	52	78	115/230	8.6	20

(a) See notes on inside back flap.

Red Catalog Number indicates **NEW** Product.

All threaded shaft, single phase motors are connected single rotation - CCW when viewing drive end.

ALL ABOVE RATINGS CAN BE UL 1081 COMPLIANT THROUGH MOD EXPRESS. SEE M30A IN THE MOD EXPRESS PROGRAM SECTION OF THIS CATALOG FOR MORE DETAILS.

General Information

Single Phase Motors

General Purpose Industrial Motors

Severe Duty Motors

Large AC Motors

Washdown Duty Motors

Explosion Proof Motors

Pump Motors

HVAC Motors

Farm Duty Motors

Jet Pump,
Single Phase, ODP

1/3 thru 3 Hp

56J and 56C

Applications: Residential and industrial pumps, swimming pool pumps, etc.



Features: Diecast aluminum end plates with machined steel bearing seat insert, drip cover, and stainless steel shaft extension on 56J frames. Catalog numbers ending with "A" have automatic thermal overload.

Hp	RPM	NEMA Frame	Catalog Number	List Price	Mult. Sym.	"C" Dim.	Aprx. Wt. (lb)	Full Load Efficiency	Voltage	Full Load Amps	Notes (a)
56J, Foot Mounted											
1/3	3600	56J	CJL1205A	308	K	11.91	23	58	115/230	3.1	
	1800	56J	CJL1301A	462	K	11.89	23	60	115/208-230	3	30
1/2	3600	56J	CJL1303A	320	K	12.51	30	66	115/230	3.7	
	1800	56J	CJL1304A	522	K	12.14	25	62	115/230	4.2	30
3/4	3600	56J	CJL1306A	408	K	13.39	30	69	115/230	5.5	
	1800	56J	CJL1307A	599	K	12.25	35	63	115/230	5.4	
1	3600	56J	CJL1309A	418	K	13.89	32	65	115/208-230	7	30
1 1/2	3600	56J	CJL1313A	580	K	13.89	37	78.5	115/230	6.5	
2	3600	56J	CJL1317A	776	K	13.25	45	70	115/230	13	30
56J, Footless											
1/3	3600	56J	JL1205A	270	K	11.89	25	58	115/230	3.1	
	1800	56J	JL1301A	311	K	11.89	23	60	115/230	3	30
1/2	3600	56J	JL1303A	304	K	12.51	26	66	115/230	3.7	
	1800	56J	JL1304A	366	K	12.14	25	62	115/230	4.2	30
3/4	3600	56J	JL1306A	400	K	13.39	33	69	115/230	5.5	
	1800	56J	JL1307A	462	K	13.89	33	68	115/230	5.1	30
1	3600	56J	JL1309A	414	K	13.89	32	65	115/230	7	30
1 1/2	3600	56J	JL1313A	578	K	13.89	36	78.5	115/230	6.5	
2	3600	56J	JL1317A	713	K	13.25	45	70	115/230	13	30
3	3600	56J	JL1323A	732	K	14.13	52	82.5	230	13	30
56C, Footless											
1/3	3600	56C	VL1205A	293	K	11.32	23	54	115/230	3.5	
	1800	56C	VL1301A	352	K	11.32	22	60	115/230	3	30
1/2	3600	56C	VL1303A	337	K	12.00	26	66	115/230	3.7	
	1800	56C	VL1304A	420	K	11.57	25	62	115/230	4.2	30
3/4	3600	56C	VL1306A	401	K	12.88	30	69	115/230	5.5	
	1800	56C	VL1307A	548	K	11.75	34	63	115/230	5.4	
1	3600	56C	VL1309A	423	K	13.40	32	65	115/208-230	7	30
	1800	56C	VL1318A	581	K	12.75	41	67	115/230	6.2	
1 1/2	3600	56C	VL1313A	578	K	13.01	35	78.5	115/230	6.5	
2	3600	56C	VL1317A	748	K	12.75	44	70	115/230	13	30
3	3600	56C	VL1323A	773	K	13.63	51	82.5	230	13	30

(a) See notes on inside back flap.

All threaded shaft, single phase motors are connected single rotation - CCW when viewing drive end.

ALL ABOVE RATINGS CAN BE UL 1081 COMPLIANT THROUGH MOD EXPRESS. SEE M30A IN THE MOD EXPRESS PROGRAM SECTION OF THIS CATALOG FOR MORE DETAILS.

General Information

Single Phase Motors

General Purpose Industrial Motors

Severe Duty Motors

Large AC Motors

Washdown Duty Motors

Explosion Proof Motors

Pump Motors

HVAC Motors

Farm Duty Motors

**Jet Pump,
Three Phase,
TEFC, C-Face**

1/3 thru 3 Hp

NEMA 56J

Applications: Residential and industrial pumps, swimming pool pumps, etc.



Features: Diecast aluminum end plates with machined steel bearing seat insert, stainless steel shaft extension, and slotted non-driven end shaft.

Hp	RPM	NEMA Frame	Catalog Number	List Price	Mult. Sym.	"C" Dim.	Aprx. Wt. (lb)	Full Load Efficiency	Voltage	Full Load Amps	Notes ^(a)
Footless											
1/3	3600	56J	JM3457	351	K	11.84	19	62	230/460	0.8	30
	1800	56J	JM3458	380	K	11.84	21	68	230/460	0.8	30
1/2	3600	56J	JM3460	380	K	11.84	21	70	230/460	1.2	30
	1800	56J	JM3461	448	K	11.84	23	74	230/460	1	30
3/4	3600	56J	JM3463	416	K	11.84	23	74	208-230/460	1.5	
	1800	56J	JM3542	484	K	11.84	26	75.5	208-230/460	1.5	
1	3600	56J	JM3545	496	K	11.84	26	77	230/460	1.6	30
	1800	56J	JM3546	514	K	13.34	31	78.5	208-230/460	1.7	
1 1/2	3600	56J	JM3550	514	K	12.47	29	80	230/460	2.3	1,30
	1800	56J	JM3554	565	K	12.74	35	81.5	208-230/460	2.3	1
2	3600	56J	JM3555	651	K	13.74	41	80	230/460	2.7	30
	1800	56J	JM3558	630	K	13.74	40	82.5	208-230/460	3	1
3	3600	56J	JM3559	707	K	13.74	44	82.5	208-230/460	3.8	1
Foot Mounted											
1/2	1800	56J	CJM3538	475	K	11.84	23	74	230/460	1	30
3/4	1800	56J	CJM3542	503	K	11.84	25	75.5	208-230/460	1.5	

^(a) See notes on inside back flap.

ALL ABOVE RATINGS CAN BE UL 1081 COMPLIANT THROUGH MOD EXPRESS. SEE M30A IN THE MOD EXPRESS PROGRAM SECTION OF THIS CATALOG FOR MORE DETAILS.

General Information

Single Phase Motors

General Purpose Industrial Motors

Severe Duty Motors

Large AC Motors

Washdown Duty Motors

Explosion Proof Motors

Pump Motors

HVAC Motors

Farm Duty Motors

**Jet Pump,
Three Phase,
ODP, C-Face**

1/3 thru 3 Hp

NEMA 56J

Applications: Residential and industrial pumps, swimming pool pumps, etc.



Features: Diecast aluminum end plates with machined steel bearing seat insert, drip cover, and stainless steel shaft extension.

Hp	RPM	NEMA Frame	Catalog Number	List Price	Mult. Sym.	"C" Dim.	Aprx. Wt. (lb)	Full Load Efficiency	Voltage	Full Load Amps	Notes (a)
Footless											
1/3	3600	56J	JM3006	320	K	11.72	19	62	230/460	0.8	30
1/2	3600	56J	JM3107	338	K	11.72	21	70	230/460	1.2	30
	1800	56J	JM3108	404	K	11.85	23	74	230/460	1	30
3/4	3600	56J	JM3111	401	K	11.72	23	74	208-230/460	1.5	
	1800	56J	JM3112	446	K	12.34	27	75.5	208-230/460	1.5	
1	3600	56J	JM3115	446	K	12.34	32	77	230/460	1.6	30
	1800	56J	JM3116	489	K	13.22	30	78.5	208-230/460	1.7	1
1 1/2	3600	56J	JM3120	532	K	13.22	30	74	230/460	2.2	30
	1800	56J	JM3154	582	K	13.72	34	77	208-230/460	2.8	
2	3600	56J	JM3155	632	K	13.72	35	82.5	230/460	2.7	30
3	3600	56J	JM3158	750	K	13.72	42	80	208-230/460	4	
Foot Mounted											
1/3	1800	56J	CJM3104	383	K	11.85	22	68	230/460	0.8	30
1/2	3600	56J	CJM3107	351	K	11.72	22	70	230/460	1.2	30
	1800	56J	CJM3108	428	K	11.72	24	74	230/460	1	30
3/4	3600	56J	CJM3111	401	K	11.72	28	74	208-230/460	1.5	
	1800	56J	CJM3112	459	K	12.34	27	75.5	208-230/460	1.5	
1	3600	56J	CJM3115	448	K	12.34	29	77	230/460	1.6	30
1 1/2	3600	56J	CJM3120	546	K	13.22	31	81.5	230/460	2	30
2	3600	56J	CJM3155	649	K	13.72	34	82.5	230/460	2.7	30
3	3600	56J	CJM3158	768	K	13.74	41	80	208-230/460	4	

(a) See notes on inside back flap.

ALL ABOVE RATINGS CAN BE UL 1081 COMPLIANT THROUGH MOD EXPRESS. SEE M30A IN THE MOD EXPRESS PROGRAM SECTION OF THIS CATALOG FOR MORE DETAILS.

General Information

Single Phase Motors

General Purpose Industrial Motors

Severe Duty Motors

Large AC Motors

Washdown Duty Motors

Explosion Proof Motors

Pump Motors

HVAC Motors

Farm Duty Motors

Washdown, Jet Pump, 3/4 thru 3 Hp Three Phase, TEFC, C-Face

NEMA 56J

IP55



Applications: Industrial pumping applications in wet or humid environments, especially in food and beverage processing facilities in which equipment is cleaned on a regular basis.

Features: 300 series stainless steel shaft and hardware. Contact lip seal and V-ring slinger on drive end, easily removable drain plugs for thorough drainage, neoprene gaskets, precision die cast aluminum rotor coated with epoxy primer. Double-sealed ball bearings with moisture-resistant grease. White epoxy exterior paint.

Hp	RPM	NEMA Frame	Catalog Number	List Price	Mult. Sym.	"C" Dim.	Aprx. Wt. (lb)	Full Load Efficiency	Voltage	Full Load Amps	Notes (a)
Footless											
3/4	3600	56J	JWDM3463	634	WD	12.73	33	68	208-230/460	1.4	1
1	3600	56J	JWDM3545	769	WD	12.73	35	72	208-230/460	2	1
1 1/2	3600	56J	JWDM3550	802	WD	12.73	38	75.5	208-230/460	2.4	1
2	3600	56J	JWDM3555	905	WD	13.73	43	80	230/460	2.7	30
3	3600	56J	JWDM3559	1109	WD	13.73	48	82.5	208-230/460	3.8	1
Foot Mounted											
3/4	3600	56J	CJWDM3463	639	WD	12.72	33	68	208-230/460	1.4	1
1	3600	56J	CJWDM3545	774	WD	12.72	35	72	208-230/460	2	1
1 1/2	3600	56J	CJWDM3550	807	WD	12.72	38	75.5	208-230/460	2.4	1
2	3600	56J	CJWDM3555	910	WD	13.73	43	80	230/460	2.7	30
3	3600	56J	CJWDM3559	1114	WD	13.73	48	82.5	208-230/460	3.8	1

(a) See notes on inside back flap.

Square Flange Pump, ODP

1/2 thru 2 Hp

NEMA 56Y thru 56YZ



Applications: Pump applications where square flange mounting plate is required, such as swimming pools.

Features: Ball bearings, stainless steel shaft extension, long life windings. Catalog numbers ending with "A" have automatic thermal overload.

Hp	RPM	NEMA Frame	Catalog Number	List Price	Mult. Sym.	"C" Dim.	Aprx. Wt. (lb)	Full Load Efficiency	Voltage	Full Load Amps	Notes (a)
Single Phase											
1/2	3600	56Y	JSL325A	376	K	11.35	24	70	115/230	3.3	30
3/4	3600	56Y	JSL425A	399	K	11.91	26	64	115/230	5.1	30
1	3600	56Y	JSL525A	426	K	12.72	30	70	115/230	6.3	30
1 1/2	3600	56YZ	JSL625A	580	K	14.44	42	72	115/230	9	30
2	3600	56YZ	JSL725A	582	K	14.44	47	74	115/230	11	30
Three Phase											
1/2	3600	56YZ	JSM3107	338	K	11.40	21	70	230/460	1.2	30
3/4	3600	56YZ	JSM3111	400	K	11.40	24	74	208-230/460	1.5	
1	3600	56YZ	JSM3115	443	K	12.02	27	77	230/460	1.6	30
1 1/2	3600	56YZ	JSM3120	528	K	12.77	31	81.5	230/460	2	30
2	3600	56YZ	JSM3155	625	K	13.40	35	82.5	230/460	2.7	30

(a) See notes on inside back flap.

General Information

Single Phase Motors

General Purpose Industrial Motors

Severe Duty Motors

Large AC Motors

Washdown Duty Motors

Explosion Proof Motors

Pump Motors

HVAC Motors

Farm Duty Motors

**Close-Coupled Pump, 3 thru 10 Hp
Single Phase,
TEFC and ODP**

NEMA 182 thru 215 (JM, JP, TCZ)

Applications: Pumping systems where only single phase power is available.



Features: Heavy-gauge steel frame construction, corrosion resistant finish, oversized ball bearings with locked construction to minimize axial shaft movement.

Hp	RPM	NEMA Frame	Catalog Number	List Price	Mult. Sym.	"C" Dim.	Aprx. Wt. (lb)	Full Load Efficiency	Voltage	Full Load Amps	Notes (a)
Totally Enclosed Fan Cooled, Mechanical Seal, Type JM											
3	3600	182JM	JML3606T	1,035	L1	18.06	79	76	115/230	14.5	1, 30
5	3600	184JM	JML3608T	1,379	L1	19.55	93	83	230	19.5	2, 20
Open Drip Proof, Mechanical Seal, Type JM											
3	3600	182JM	JML1406T	987	L1	16.50	69	78	115/208-230	14	
	1800	184JM	JML1408T	1,132	L1	16.50	80	78	115/230	16	30
5	3600	184JM	JML1409T	1,394	L1	16.50	81	80	230	21.5	1, 30
	1800	213JM	JML1508T	1,606	L1	18.19	115	77	230	27	
7 1/2	3600	213JM	JML1509T	2,000	L1	18.19	116	81	230	37	30
	1800	215JM	JML1510T	2,115	L1	19.31	142	85.5	230	31	30
10	3600	215JM	JML1511T	2,459	L1	19.31	141	83	230	46	20, 30
	1800	215JM	JML1512T	2,618	L1	20.95	150	84	230	41	20, 30
Open Drip Proof, Packed Pump, Type JP											
3	3600	182JP	JPL1406T	987	L1	19.57	76	78	115/230	14	30
	1800	184JP	JPL1408T	1,132	L1	19.57	87	78	115/230	16	30
5	3600	184JP	JPL1409T	1,394	L1	19.57	88	80	230	21.5	1, 30
	1800	213JP	JPL1508T	1,606	L1	22.07	117	77	230	27	
7 1/2	3600	213JP	JPL1509T	2,000	L1	22.07	121	81	230	37	30
	1800	215JP	JPL1510T	2,115	L1	23.19	143	85.5	230	31	30
10	3600	215JP	JPL1511T	2,459	L1	23.19	148	83	230	46	20, 30
	1800	215JP	JPL1512T	2,618	L1	20.95	142	84	230	41	20, 30
Open Drip Proof, West Coast Fit, Type TCZ											
3	3600	182TCZ	WCL1406T	994	L1	19.69	81	78	115/230	14	30
	1800	184TCZ	WCL1408T	1,140	L1	19.69	91	78	115/230	16	30
5	3600	184TCZ	WCL1409T	1,407	L1	19.69	91	75	230	23	1, 30
	1800	213TCZ	WCL1508T	1,620	L1	21.25	116	77	230	27	
7 1/2	3600	213TCZ	WCL1509T	2,013	L1	21.25	117	81	230	37	30
10	3600	215TCZ	WCL1511T	2,482	L1	22.38	143	83	230	46	20, 30

(a) See notes on inside back flap.

General Information

Single Phase Motors

General Purpose Industrial Motors

Severe Duty Motors

Large AC Motors

Washdown Duty Motors

Explosion Proof Motors

Pump Motors

HVAC Motors

Farm Duty Motors

**Close-Coupled Pump,
Three Phase,
TEFC and ODP, C-Face,
Foot Mounted,
With Internal Aegis®
Bearing Protection Ring**

1 thru 20 Hp

NEMA 143JM thru 256JM



Applications: Commercial and industrial pump motor applications where adjustable speed drives are utilized.

Features: Class H insulated motor with AEGIS® bearing protection ring installed internally. Oversized ball bearings with locked drive end construction to minimize endplay. All models meet or exceed NEMA Premium® efficiencies, are Inverter Ready, and have a 3-year warranty.

Hp	RPM	NEMA Frame	Catalog Number	List Price	Mult. Sym.	"C" Dim.	Aprx. Wt. (lb)	Full Load Efficiency	Voltage	Full Load Amps	Notes (a)
Totally Enclosed Fan Cooled											
3	3600	182JM	EJMM3610T-G	1,157	L1	16.91	60	86.5	208-230/460	3.6	
	1800	182JM	EJMM3611T-G	1,252	L1	18.06	76	89.5	208-230/460	4.2	
5	3600	184JM	EJMM3613T-G	1,333	L1	18.06	78	88.5	208-230/460	5.9	
	1800	184JM	EJMM3615T-G	1,255	L1	19.56	93	89.5	208-230/460	6.7	
7 1/2	3600	213JM	EJMM3709T-G	1,735	L1	19.81	124	89.5	208-230/460	9	
	1800	213JM	EJMM3710T-G	1,854	L1	20.94	134	91.7	230/460	9.4	30
10	3600	215JM	EJMM3711T-G	1,953	L1	19.81	124	90.2	208-230/460	11.8	
	1800	215JM	EJMM3714T-G	2,133	L1	22.44	165	91.7	208-230/460	12	
15	3600	254JM	EJMM2394T-G	3,384	L1	25.30	260	91	230/460	17.5	30
	1800	254JM	EJMM2333T-G	3,357	L1	25.30	265	92.4	230/460	18.1	30
20	3600	256JM	EJMM4106T-G	3,697	L1	25.30	274	91	230/460	23	30
	1800	256JM	EJMM2334T-G	3,750	L1	25.30	308	93	230/460	24	30
Open Drip Proof											
1	1800	143JM	EJMM3116T-G	873	L1	13.75	37	85.5	208-230/460	1.5	
1 1/2	1800	145JM	EJMM3154T-G	931	L1	13.75	41	86.5	230/460	2.2	30
2	1800	145JM	EJMM3157T-G	1,003	L1	14.25	44	86.5	230/460	2.9	30
3	3600	145JM	EJMM3158T-G	1,116	L1	15.13	51	85.5	230/460	3.8	30
	1800	182JM	EJMM3211T-G	1,134	L1	16.50	74	89.5	230/460	4.2	30
5	3600	182JM	EJMM3212T-G	1,340	L1	15.12	64	86.5	208-230/460	6	
	1800	184JM	EJMM3218T-G	1,255	L1	18.00	88	89.5	208-230/460	6.6	
7 1/2	3600	184JM	EJMM3219T-G	1,546	L1	16.50	78	88.5	208-230/460	8.6	
	1800	213JM	EJMM3311T-G	1,831	L1	18.19	120	91	230/460	9.7	
10	3600	213JM	EJMM3312T-G	1,984	L1	18.19	121	89.5	208-230/460	12	
	1800	215JM	EJMM3313T-G	1,959	L1	19.31	132	91.7	230/460	12.5	
15	3600	215JM	EJMM3314T-G	2,479	L1	18.19	134	90.2	230/460	17.5	
	1800	254JM	EJMM2513T-G	2,804	L1	23.19	213	93	230/460	17.7	30

(a) See notes on inside back flap.

■ Cast Iron Frame

General Information

Single Phase Motors

General Purpose Industrial Motors

Severe Duty Motors

Large AC Motors

Washdown Duty Motors

Explosion Proof Motors

Pump Motors

HVAC Motors

Farm Duty Motors

**Close-Coupled Pump, 1 thru 50 Hp
Three Phase, TEFC,
C-Face**

NEMA 143JM thru 326JP

Applications: Applications for circulating and transferring fluids. Mounting designed to support pump unit.

Features: Over-sized ball bearings with locked drive end construction to minimize endplay. Super-E® motors have NEMA Premium® efficiency.



Hp	RPM	NEMA Frame	Catalog Number	List Price	Mult. Sym.	"C" Dim.	Aprx. Wt. (lb)	Full Load Efficiency	Voltage	Full Load Amps	Notes (a)
Foot Mounted											
1	1800	143JM	EJMM3546T	827	L1	15.43	40	85.5	208-230/460	1.5	1
		143JM	JMM3546T	657	L1	15.43	39	82.5	208-230/460	1.56	1
1 1/2	3600	143JM	EJMM3550T	822	L1	15.43	47	84	208-230/460	1.9	1
		143JM	JMM3550T	690	L1	15.43	42	82.5	208-230/460	2.1	1
		145JM	EJMM3554T	881	L1	15.43	44	86.5	208-230/460	2.2	1
	1800	145JM	JMM3554T	690	L1	15.43	43	84	208-230/460	2.4	1
		145JP	JPM3554T	690	L1	18.50	44	84	208-230/460	2.4	1
2	3600	145JM	EJMM3555T	882	L1	15.43	47	85.5	208-230/460	2.5	1
		145JM	JMM3555T	769	L1	15.43	47	84	208-230/460	2.6	1
		145JP	JPM3555T	769	L1	18.50	48	84	208-230/460	2.6	1
	1800	145JM	EJMM3558T	900	L1	15.43	50	86.5	208-230/460	2.9	1
		145JM	JMM3558T	721	L1	15.43	46	84	208-230/460	3.1	1
		145JP	JPM3558T	721	L1	18.50	42	84	208-230/460	3.1	1
3	3600	145JM	EJMM3559T	947	L1	16.31	54	86.5	208-230/460	3.6	1
		145JM	JMM3559T	862	L1	16.31	53	85.5	208-230/460	3.7	1
		145JP	JPM3559T	862	L1	19.37	54	85.5	208-230/460	3.7	1
		182JM	EJMM3610T	949	L1	16.81	56	86.5	208-230/460	3.6	1
		182JM	JMM3610T	894	L1	16.84	56	85.5	208-230/460	3.7	1
		182JP	JPM3610T	894	L1	19.87	58	85.5	208-230/460	3.7	1
	1800	182JM	EJMM3611T	1,044	L1	18.06	76	89.5	208-230/460	4.2	1
		182JM	JMM3611T	862	L1	18.18	66	87.5	208-230/460	4.2	1
5	3600	182JP	JPM3611T	862	L1	21.28	67	87.5	208-230/460	4.2	1
		184JM	EJMM3613T	1,125	L1	18.06	79	88.5	208-230/460	5.9	1
		184JM	JMM3613T	1,104	L1	18.06	74	87.5	208-230/460	5.8	1
		184JP	JPM3613T	1,104	L1	21.43	77	87.5	208-230/460	5.8	1
		184JM	EJMM3615T	1,047	L1	19.56	93	89.5	208-230/460	6.7	1
		184JM	JMM3615T	964	L1	19.56	85	87.5	208-230/460	6.8	1
	1800	184JP	JPM3615T	964	L1	22.93	88	87.5	208-230/460	6.8	1
		184JM	EJMM3616T	1,392	L1	19.56	101	89.5	208-230/460	8.4	1
		184JM	JMM3616T	1,249	L1	19.56	91	88.5	208-230/460	8.7	1
		184JP	JPM3616T	1,249	L1	22.93	93	88.5	208-230/460	8.7	1
7 1/2	3600	213JM	EJMM3709T	1,474	L1	19.76	125	89.5	208-230/460	9	1
		213JM	JMM3709T	1,407	L1	20.40	98	88.5	208-230/460	8.7	1
		213JP	JPM3709T	1,407	L1	23.64	120	88.5	208-230/460	9.5	1
		213TCZ	WCM3709T	1,374	L1	23.45	100	88.5	208-230/460	8.7	1
		213JM	EJMM3710T	1,593	L1	20.88	134	91.7	230/460	9.4	1, 30
		213JM	JMM3710T	1,233	L1	19.76	125	89.5	208-230/460	10.1	1
	1800	213JP	JPM3710T	1,262	L1	23.64	127	89.5	208-230/460	10.1	1
		213TCZ	WCM3710T	1,233	L1	22.82	124	89.5	208-230/460	10.1	1
		215JM	EJMM3711T	1,692	L1	19.76	130	90.2	208-230/460	11.8	1
		215JM	JMM3711T	1,682	L1	19.76	124	89.5	208-230/460	12	20
10	3600	215JP	JPM3711T	1,682	L1	23.64	128	89.5	208-230/460	12	20
		215TCZ	WCM3711T	1,644	L1	22.82	126	89.5	208-230/460	12	20
		215JM	EJMM3714T	1,872	L1	22.39	165	91.7	208-230/460	12	1
	1800	215JP	EJPM3714T	1,872	L1	26.29	165	91.7	208-230/460	12	1
		215JM	JMM3714T	1,556	L1	20.88	137	89.5	208-230/460	13.5	1
		215JP	JPM3714T	1,556	L1	24.79	146	89.5	208-230/460	13.5	1
215TCZ	WCM3714T	1,522	L1	23.95	136	89.5	208-230/460	13.5	1		

(a) See notes on inside back flap.

Close-Coupled Pump, Three Phase, TEFC, C-Face

Hp	RPM	NEMA Frame	Catalog Number	List Price	Mult. Sym.	"C" Dim.	Aprx. Wt. (lb)	Full Load Efficiency	Voltage	Full Load Amps	Notes (a)
15	3600	215JM	JMM3713T	2,216	L1	21.64	160	90.2	208-230/460	17.3	20
		215JP	JPM3713T	2,216	L1	25.54	160	90.2	208-230/460	17.3	20
		215TCZ	WCM3713T	1,960	L1	24.70	160	90.2	208-230/460	17.3	20
		254JM	EJMM2394T	3,091	L1	25.30	257	91	230/460	17.5	1, 30
		254JP	EJPM2394T	3,091	L1	28.16	260	91	208-230/460	17.8	1
		254JM	JMM2394T	2,915	L1	23.07	225	90.2	208-230/460	17.2	1
	254JP	JPM2394T	2,915	L1	25.95	225	90.2	208-230/460	17.2	1	
	1800	254JM	EJMM2333T	3,064	L1	25.30	265	92.4	230/460	18.5	1, 30
		254JP	EJPM2333T	3,064	L1	28.16	265	92.4	208-230/460	18.5	1
		254JM	JMM2333T	2,842	L1	23.07	236	91	208-230/460	18.5	1
254JP		JPM2333T	2,842	L1	25.95	236	91	208-230/460	18.5	1	
20	3600	256JM	EJMM4106T	3,404	L1	25.30	281	91	230/460	23	1, 30
		256JP	EJPM4106T	3,404	L1	28.16	264	91	208-230/460	23	1
		256JM	JMM4106T	3,208	L1	24.83	255	90.2	208-230/460	23	1
		256JP	JPM4106T	3,208	L1	27.70	255	90.2	208-230/460	23	1
	1800	256JM	EJMM2334T	3,457	L1	25.30	304	93	230/460	24	1, 30
		256JP	EJPM2334T	3,457	L1	28.16	300	93	230/460	24	1, 30
		256JM	JMM2334T	3,009	L1	24.82	245	91	230/460	25	20, 30
		256JP	JPM2334T	3,009	L1	27.70	245	91	230/460	25	20, 30
25	3600	284JM	EJMM4107T	3,955	L1	26.96	353	91.7	230/460	29	20
		284JP	EJPM4107T	3,955	L1	29.84	349	91.7	230/460	29	20
		284JM	JMM4107T	3,603	L1	26.96	342	91	230/460	28	1, 30
		284JP	JPM4107T	3,603	L1	29.84	333	91	230/460	28	1, 30
	1800	284JM	EJMM4103T	4,097	L1	28.64	387	93.6	230/460	30	1, 30
		284JP	EJPM4103T	4,097	L1	31.51	412	93.6	230/460	30	1, 30
		284JM	JMM4103T	3,516	L1	26.96	366	92.4	230/460	30	1, 30
		284JP	JPM4103T	3,516	L1	29.84	356	92.4	230/460	30	1, 30
30	3600	286JM	EJMM4108T	5,439	L1	28.64	406	91.7	208-230/460	33	1
		286JP	EJPM4108T	5,439	L1	31.51	405	91.7	208-230/460	35	1
		286JM	JMM4108T	4,716	L1	26.96	370	91	230/460	34	1, 30
		286JP	JPM4108T	4,716	L1	29.84	359	91	208-230/460	34	1
	1800	286JM	EJMM4104T	4,854	L1	28.64	422	93.6	230/460	36	1, 30
		286JP	EJPM4104T	4,854	L1	31.51	452	93.6	230/460	36	1, 30
		286JM	JMM4104T	4,333	L1	26.96	382	92.4	230/460	36	1, 30
		286JP	JPM4104T	4,333	L1	29.84	386	92.4	230/460	36	1, 30
40	3600	324JM	EJMM4109T	6,159	L1	30.64	487	92.4	208-230/460	45	1
		324JP	EJPM4109T	6,159	L1	33.51	498	92.4	208-230/460	45	1
		324JM	JMM4109T	5,661	L1	30.64	460	91.7	230/460	45	1, 30
		324JP	JPM4109T	5,661	L1	33.51	468	91.7	230/460	45	1, 30
	1800	324JM	EJMM4110T	6,310	L1	30.65	586	94.1	230/460	48	1, 30
		324JP	EJPM4110T	6,310	L1	33.41	602	94.1	230/460	48	1, 30
		324JM	JMM4110T	5,456	L1	30.64	486	93	230/460	47	1, 30
		324JP	JPM4110T	5,456	L1	33.51	496	93	230/460	47	1, 30
50	3600	326JM	EJMM4114T	7,453	L1	30.65	595	93	208-230/460	56	1
		326JP	EJPM4114T	7,453	L1	33.41	604	93	230/460	56	1, 30
		326JM	JMM4114T	6,174	L1	30.64	507	92.4	230/460	56	1, 30
		326JP	JPM4114T	6,174	L1	33.51	517	92.4	230/460	56	1, 30
	1800	326JM	EJMM4115T	7,585	L1	30.65	624	94.5	230/460	58	1, 30
		326JP	EJPM4115T	7,585	L1	33.41	646	94.5	230/460	58	1, 30
		326JM	JMM4115T	6,396	L1	30.65	591	93	230/460	59	1, 30
		326JP	JPM4115T	6,396	L1	33.41	595	93	230/460	59	1, 30

(a) See notes on inside back flap.

■ Cast Iron Frame

General Information

Single Phase Motors

General Purpose Industrial Motors

Severe Duty Motors

Large AC Motors

Washdown Duty Motors

Explosion Proof Motors

Pump Motors

HVAC Motors

Farm Duty Motors

Close-Coupled Pump, Three Phase, TEFC, C-Face

Hp	RPM	NEMA Frame	Catalog Number	List Price	Mult. Sym.	"C" Dim.	Aprx. Wt. (lb)	Full Load Efficiency	Voltage	Full Load Amps	Notes (a)
Footless											
1	1800	143JM	VEJMM3546T	691	L1	14.43	38	85.5	208-230/460	1.5	1
		143JM	VJMM3546T	670	L1	14.43	35	82.5	208-230/460	1.56	1
1 1/2	1800	145JM	VEJMM3554T	729	L1	15.43	45	86.5	208-230/460	2.2	1
		145JM	VJMM3554T	701	L1	15.43	40	84	208-230/460	2.4	1
2	1800	145JM	VEJMM3558T	873	L1	15.43	44	86.5	208-230/460	2.9	1
		145JM	VJMM3558T	733	L1	15.43	43	84	208-230/460	3.1	1
3	1800	182JM	VEJMM3611T	996	L1	18.05	74	89.5	208-230/460	4.2	1
		182JM	VJMM3611T	876	L1	18.20	61	87.5	208-230/460	4.2	1
5	1800	184JM	VEJMM3615T	1,149	L1	19.55	90	89.5	208-230/460	6.7	1
		184JM	VJMM3615T	981	L1	18.05	78	87.5	208-230/460	6.8	1
7 1/2	1800	213JM	VEJMM3710T	1,682	L1	20.92	136	91.7	230/460	9.4	1, 30
		213JM	VJMM3710T	1,274	L1	19.76	115	89.5	208-230/460	10.1	1
10	1800	215JM	VEJMM3714T	1,948	L1	22.40	165	91.7	208-230/460	12	1
		215JM	VJMM3714T	1,573	L1	20.92	132	89.5	208-230/460	13.5	1
15	1800	254JM	VJMM2333T	2,867	L1	21.82	236	91	208-230/460	18.5	1
20	1800	256JM	VJMM2334T	2,964	L1	25.28	267	91	230/460	24	1, 30

(a) See notes on inside back flap.

■ Cast Iron Frame

Close-Coupled Pump, 1 thru 75 Hp, Three Phase, ODP, C-Face

NEMA 143JM thru 365JP

Applications: Applications for circulating and transferring fluids. Mounting designed to support pump unit.

Features: Oversized ball bearings with locked drive end construction to minimize endplay. Furnished with rodent screens at both ends. EJMM and EJPM Super-E® motors have NEMA Premium® Efficiency.



Hp	RPM	NEMA Frame	Catalog Number	List Price	Mult. Sym.	"C" Dim.	Aprx. Wt. (lb)	Full Load Efficiency	Voltage	Full Load Amps	Notes (a)
Foot Mounted											
1	1800	143JM	EJMM3116T	707	L1	13.75	38	85.5	208-230/460	1.5	1
		143JM	JMM3116T	607	L1	13.75	35	82.5	208-230/460	1.56	
		143JP	JPM3116T	607	L1	16.81	37	82.5	208-230/460	1.56	
1 1/2	3600	143JM	JMM3120T	632	L1	13.75	40	82.5	208-230/460	2.1	1
		145JM	EJMM3154T	765	L1	13.75	38	86.5	230/460	2.2	1, 30
	1800	145JM	JMM3154T	599	L1	13.75	38	84	208-230/460	2.4	
		145JP	JPM3154T	599	L1	16.81	39	84	208-230/460	2.4	
		145JM	EJMM3155T	846	L1	13.75	44	85.5	208-230/460	2.5	1
		145JM	JMM3155T	700	L1	13.75	42	84	208-230/460	2.6	
2	3600	145JM	EJMM3157T	837	L1	14.25	44	86.5	230/460	2.9	1, 30
		145JM	JMM3157T	685	L1	13.75	42	84	208-230/460	3.15	
	1800	145JP	JPM3157T	685	L1	16.81	43	84	208-230/460	3.15	
3	3600	145JM	EJMM3158T	950	L1	15.13	49	85.5	230/460	3.8	1, 30
		145JM	JMM3158T	742	L1	14.25	48	84	208-230/460	3.7	
		145JP	JPM3158T	742	L1	17.31	41	84	208-230/460	3.7	1
	1800	182JM	EJMM3211T	926	L1	16.50	72	89.5	230/460	4.2	1, 30
		182JM	JMM3211T	735	L1	16.25	63	86.5	208-230/460	4.1	1
		182JP	JPM3211T	735	L1	19.31	61	86.5	208-230/460	4.1	1

(a) See notes on inside back flap.

Close-Coupled Pump, Three Phase, ODP, C-Face

Hp	RPM	NEMA Frame	Catalog Number	List Price	Mult. Sym.	"C" Dim.	Aprx. Wt. (lb)	Full Load Efficiency	Voltage	Full Load Amps	Notes (a)
40	3600	286JM	EJMM2538T	5,065	L1	26.56	328	92.4	230/460	45	1, 30
		286JP	EJPM2538T	5,065	L1	29.44	329	92.4	230/460	45	1, 30
		286JM	JMM2538T	4,593	L1	26.56	307	91.7	230/460	45	30
		286JP	JPM2538T	4,593	L1	29.44	308	91.7	230/460	45	30
	1800	324JM	EJMM2539T	5,210	L1	27.44	417	94.1	230/460	49	1 30
		324JP	EJPM2539T	5,210	L1	29.81	458	94.1	230/460	47	1, 30
		324JM	JMM2539T	4,575	L1	26.44	375	93	230/460	49	1, 30
		324JP	JPM2539T	4,575	L1	29.31	378	93	230/460	49	1, 30
50	3600	324JM	EJMM2542T	5,710	L1	26.94	421	93	230/460	58	1
		324JP	EJPM2542T	5,710	L1	29.81	424	93	230/460	58	1
		324JM	JMM2542T	4,997	L1	26.44	368	92.4	230/460	58	30
		324JP	JPM2542T	4,997	L1	29.31	376	92.4	230/460	58	30
	1800	326JM	EJMM2543T	6,025	L1	27.94	491	94.5	230/460	57	1, 30
		326JP	EJPM2543T	6,025	L1	30.81	500	94.5	230/460	57	1, 30
		326JM	JMM2543T	5,205	L1	27.44	406	93	230/460	62	30
		326JP	JPM2543T	5,205	L1	30.31	415	93	230/460	62	30
60	3600	326JM	JMM2546T	6,220	L1	26.44	401	93	230/460	68	30
	1800	364JP	JPM2547T	5,912	L1	30.44	507	93.6	230/460	72	30
75	1800	365JP	JPM2551T	7,764	L1	32.44	586	94.1	230/460	88	30
Footless											
1	1800	143JM	VEJMM3116T	707	L1	14.43	37	85.5	208-230/460	1.5	1
		143JM	VJMM3116T	599	L1	14.43	37	82.5	208-230/460	1.56	
1 1/2	1800	145JM	VEJMM3154T	758	L1	15.43	43	86.5	230/460	2.2	1
		145JM	VJMM3154T	608	L1	15.43	41	84	208-230/460	2.4	1
2	1800	145JM	VEJMM3157T	829	L1	15.43	46	86.5	230/460	2.9	1, 30
		145JM	VJMM3157T	680	L1	15.43	42	84	208-230/460	3.15	1
3	3600	145JM	VJMM3158T	755	L1	15.43	50	84	208-230/460	3.7	1
	1800	184JM	VEJMM3211T	910	L1	18.06	74	89.5	230/460	4.2	1, 30
		182JM	VJMM3211T	742	L1	18.22	62	86.5	208-230/460	4.1	1
5	3600	182JM	VJMM3212T	874	L1	16.84	60	85.5	208-230/460	6.1	
	1800	184JM	VEJMM3218T	1,030	L1	19.56	84	89.5	208-230/460	6.6	1
		184JM	VJMM3218T	793	L1	18.06	73	87.5	208-230/460	7.2	1
7 1/2	3600	184JM	VJMM3219T	1,029	L1	18.06	74	87.5	208-230/460	8.7	1
	1800	213JM	VEJMM3311T	1,554	L1	19.78	125	91	230/460	9.6	1, 30
		213JM	VJMM3311T	1,158	L1	19.78	122	88.5	208-230/460	10.1	1
10	3600	213JM	VJMM3312T	1,291	L1	18.19	110	88.5	208-230/460	12.4	1
	1800	215JM	VEJMM3313T	1,682	L1	22.41	165	91.7	208-230/460	12	1
		215JM	VJMM3313T	1,356	L1	19.78	119	89.5	208-230/460	13.4	
15	3600	215JM	VJMM3314T	1,741	L1	18.69	120	89.5	208-230/460	18	1

(a) See notes on inside back flap.

General Information

Single Phase Motors

General Purpose Industrial Motors

Severe Duty Motors

Large AC Motors

Washdown Duty Motors

Explosion Proof Motors

Pump Motors

HVAC Motors

Farm Duty Motors

**Washdown
Close-Coupled Pump,
Three Phase,
Totally Enclosed**

1 thru 15 Hp

NEMA 143JM thru 215JM

IP55

Applications: Commercial and industrial water pumps, food processing and applications that expose the motor to high pressure washdown.



Features: Over-sized ball bearings with locked drive end construction for minimum shaft movement. Moisture sealant on bolt heads, between frame and endplates. Neoprene gaskets. V-Ring running contact v-ring slinger. Stainless steel shaft extension. Electrostatic epoxy coating.

Hp	RPM	NEMA Frame	Enclosure	Catalog Number	List Price	Mult. Sym.	"C" Dim.	Aprx. Wt. (lb)	Full Load Efficiency	Voltage	Full Load Amps	Notes (a)
1	1800	143JM	TENV	JMWDM3546T	954	WD	14.25	39	82.5	208-230/460	1.5	1
	3600	143JM	TEFC	JMWDM3550T	998	WD	15.43	42	82.5	208-230/460	2.1	1
1 1/2	1800	145JM	TENV	JMWDM3554T	998	WD	14.25	46	85.5	208-230/460	2.3	2
	3600	145JM	TEFC	JMWDM3555T	1,110	WD	15.43	47	84	208-230/460	2.6	1
2	1800	145JM	TEFC	JMWDM3558T	1,044	WD	15.43	45	84	208-230/460	3.1	1
	3600	145JM	TEFC	JMWDM3559T	1,249	WD	16.34	53	85.5	208-230/460	3.7	1
3	1800	182JM	TEFC	JMWDM3611T	1,249	WD	18.22	67	87.5	208-230/460	4.2	1
	3600	184JM	TEFC	JMWDM3613T	1,601	WD	18.05	79	87.5	208-230/460	5.8	1
5	1800	184JM	TEFC	JMWDM3615T	1,398	WD	18.05	89	87.5	208-230/460	6.8	1
	3600	184JM	TEFC	JMWDM3616T	1,814	WD	19.55	96	88.5	208-230/460	8.7	1
7 1/2	1800	213JM	TEFC	JMWDM3710T	1,787	WD	19.78	125	89.5	208-230/460	10.1	1
	3600	215JM	TEFC	JMWDM3711T	2,438	WD	19.78	134	89.5	208-230/460	11.5	1
10	1800	215JM	TEFC	JMWDM3714T	2,257	WD	20.91	136	89.5	208-230/460	13.5	1
	3600	215JM	TEFC	JMWDM3713T	2,904	WD	21.66	160	90.2	208-230/460	17	1

(a) See notes on inside back flap.

**SSE Super-E
Stainless Steel,
Close-Coupled Pump,
Three Phase,
Totally Enclosed,
Encapsulated**

1 thru 10 Hp

NEMA 143JM thru 215JM

IP56

**IP69K
for Water**

Applications: Commercial and industrial water pumps, food processing and applications that expose the motor to high pressure washdown.



Features: Stainless steel motor frame, endplates, conduit box, shaft and base. Moisture resistant insulation system. Endplate rabbets have O-ring seals. Conduit box is welded to the motor frame. Patented bearing seal to protect motor bearings. Epoxy encapsulation, Class H insulation. Laser etched nameplate. NEMA Premium® efficiency. 3 year warranty.

Hp	RPM	NEMA Frame	Enclosure	Catalog Number	List Price	Mult. Sym.	"C" Dim.	Aprx. Wt. (lb)	Full Load Efficiency	Voltage	Full Load Amps	Notes (a)
1	1800	143JM	TENV	JMSSEWDM3546T	1,805	WD	14.94	62	87.5	208-230/460	1.5	
	3600	143JM	TENV	JMSSEWDM3550T	1,809	WD	15.82	68	85.5	208-230/460	1.8	
1 1/2	1800	145JM	TEFC	JMSSEWDM3554T	1,820	WD	16.96	69	88.5	208-230/460	2.2	
	3600	145JM	TEFC	JMSSEWDM3555T	2,138	WD	16.96	72	86.5	208-230/460	2.5	
2	1800	145JM	TEFC	JMSSEWDM3558T	2,168	WD	18.34	74	88.5	208-230/460	2.7	
	3600	145JM	TEFC	JMSSEWDM3559T	2,568	WD	18.34	83	86.5	208-230/460	3.7	
3	1800	182JM	TEFC	JMSSEWDM3611T	2,696	WD	19.73	108	89.5	230/460	4.2	30
	3600	184JM	TEFC	JMSSEWDM3613T	2,904	WD	18.23	104	89.5	208-230/460	5.6	
5	1800	184JM	TEFC	JMSSEWDM3615T	2,924	WD	19.73	121	89.5	208-230/460	6.5	
	3600	213JM	TEFC	JMSSEWDM3709T	3,423	WD	21.56	184	91	208-230/460	8.3	
7 1/2	1800	213JM	TEFC	JMSSEWDM3710T	3,487	WD	22.75	135	91.7	208-230/460	9.5	
	3600	215JM	TEFC	JMSSEWDM3711T	3,838	WD	22.75	154	91.7	208-230/460	10.6	
10	1800	215JM	TEFC	JMSSEWDM3714T	4,049	WD	24.19	187	92.4	208-230/460	12.5	

(a) See notes on inside back flap.

General Information

Single Phase Motors

General Purpose Industrial Motors

Severe Duty Motors

Large AC Motors

Washdown Duty Motors

Explosion Proof Motors

Pump Motors

HVAC Motors

Farm Duty Motors

P-Base Vertical Solid Shaft Pump, Three Phase, TEFC, 1.15 Service Factor

3 thru 75 Hp

NEMA 182LP thru 365VP

Applications: For normal medium and high thrust in-line pump applications. Waste water treatment plants, petro chemical industries, pulp and paper mills and agricultural irrigation applications.

Features: Severe duty construction with corrosion-resistant epoxy finish, cast-iron construction, designed for vertical mounting. Rotatable conduit box, stainless steel nameplates, shaft seals. Energy efficient windings. Two lifting lugs for balanced lifting. VHECP motors have NEMA Premium® efficiency and are Inverter-Ready. 1.15 Service Factor.



Hp	RPM	NEMA Frame	Catalog Number	List Price	Mult. Sym.	"C" Dim.	Aprx. Wt. (lb)	Full Load Efficiency	Voltage	Full Load Amps	Notes (a)
Super-E Efficiency, Normal Thrust											
3	3600	182HP	VHECP3660T	2,394	SD	22.18	120	89.5	230/460	3.5	1, 30
	1800	182HP	VHECP3661T	2,144	SD	22.18	129	89.5	208-230/460	4.1	1
5	3600	184HP	VHECP3663T	3,092	SD	22.18	99	90.2	230/460	5.7	1, 30
	1800	184HP	VHECP3665T	2,855	SD	22.18	141	89.5	208-230/460	6.6	1
7 1/2	3600	213HP	VHECP3769T	3,661	SD	22.51	173	91	230/460	8.6	1, 30
	1800	213HP	VHECP3770T	3,543	SD	22.51	170	91.7	230/460	9.5	1, 30
10	3600	215HP	VHECP3771T	3,818	SD	22.51	203	92.4	230/460	11	1, 30
	1800	215HP	VHECP3774T	3,975	SD	22.51	231	92.4	230/460	12.5	1, 30
15	3600	254HP	VHECP2394T	4,401	SD	25.73	296	91.7	230/460	17.2	1, 30
	1800	254HP	VHECP2333T	4,562	SD	25.72	316	92.4	230/460	18.1	1, 30
20	3600	256HP	VHECP4106T	4,786	SD	25.73	325	92.4	230/460	23	1, 30
	1800	256HP	VHECP2334T	5,181	SD	25.73	337	93	230/460	24	1, 30
25	3600	284HP	VHECP4107T	5,089	SD	25.72	337	93	230/460	28	1, 30
	1800	284HP	VHECP4103T	5,780	SD	30.69	518	93.6	230/460	30	1, 30
30	3600	286HP	VHECP4108T	5,604	SD	25.72	361	93	230/460	33	1, 30
	1800	286HP	VHECP4104T	6,486	SD	30.69	563	94.1	230/460	36	1, 30
40	3600	324HP	VHECP4109T	7,844	SD	34.72	600	93.6	230/460	45	1
	1800	324HP	VHECP4110T	7,335	SD	34.72	650	94.5	230/460	46	1, 30
50	3600	326HP	VHECP4114T	9,612	SD	34.72	668	93	208-230/460	56	1
	1800	326HP	VHECP4115T	10,362	SD	34.72	764	94.5	230/460	58	1, 30
60	3600	364HP	VHECP4310T	12,280	SD	35.36	959	95	230/460	65.1	1, 30
	1800	364HP	VHECP4314T	12,819	SD	35.36	969	95	230/460	68	1, 30
75	3600	365HP	VHECP4313T	15,342	SD	35.36	1042	94.5	230/460	80.7	1, 30
	1800	365HP	VHECP4316T	15,611	SD	35.36	1008	95.4	230/460	85.9	1, 30
Standard Efficiency, Medium Thrust											
3	3600	182LP	VLCP3660T	2,292	SD	22.18	115	85.5	208-230/460	3.7	1
	1800	182LP	VLCP3661T	2,050	SD	22.18	124	87.5	208-230/460	4.1	1
5	3600	184LP	VLCP3663T	2,958	SD	22.18	122	87.5	208-230/460	5.9	1
	1800	184LP	VLCP3665T	2,730	SD	22.18	131	87.5	208-230/460	6.9	1
7 1/2	3600	213LP	VLCP3769T	3,504	SD	22.33	168	88.5	208-230/460	9.5	1
	1800	213LP	VLCP3770T	3,388	SD	22.33	164	89.5	208-230/460	10.3	1
10	3600	215LP	VLCP3771T	3,654	SD	22.33	171	89.5	208-230/460	12	1
	1800	215LP	VLCP3774T	3,802	SD	22.33	169	89.5	208-230/460	13	1
15	3600	254LP	VLCP2394T	4,208	SD	22.33	225	90.2	208-230/460	17.2	1
	1800	254LP	VLCP2333T	4,364	SD	25.54	236	91	208-230/460	18.5	1
20	3600	256LP	VLCP4106T	4,596	SD	25.72	338	90.2	230/460	23	1
	1800	256LP	VLCP2334T	4,953	SD	25.72	307	91	230/460	24	1, 30
25	3600	284LP	VLCP4107T	4,868	SD	27.47	372	91	230/460	28	1, 30
	1800	286LP	VLCP4103T	5,527	SD	27.47	384	92.4	230/460	30	1, 30
30	3600	286LP	VLCP4108T	5,358	SD	27.47	383	91	208-230/460	34	1
	1800	286LP	VLCP4104T	6,203	SD	32.44	523	92.4	230/460	37	1, 30
40	3600	324LP	VLCP4109T	7,500	SD	34.72	615	91.7	230/460	45	1, 30
	1800	324LP	VLCP4110T	7,015	SD	34.72	638	93	230/460	47	1, 30

(a) See notes on inside back flap.

■ Cast Iron Frame

P-Base Vertical Solid Shaft Pump, Three Phase, TEFC, 1.15 Service Factor

Hp	RPM	NEMA Frame	Catalog Number	List Price	Mult. Sym.	"C" Dim.	Aprx. Wt. (lb)	Full Load Efficiency	Voltage	Full Load Amps	Notes (a)
Standard Efficiency, High Thrust											
50	3600	326VP	VPCP4114T	9,191	SD	34.71	646	92.4	208-230/460	57	1
	1800	326VP	VPCP4115T	9,907	SD	34.71	660	93	230/460	59	1, 30
60	3600	364VP	VPCP4310T	10,568	SD	37.25	940	93	230/460	72.8	1, 30
	1800	364VP	VPCP4314T	11,035	SD	37.25	933	93.6	230/460	73.4	1, 30
75	3600	365VP	VPCP4313T	13,203	SD	37.25	982	93	230/460	87.9	1, 30
	1800	365VP	VPCP4316T	13,434	SD	37.25	1010	94.1	230/460	87	1, 30

(a) See notes on inside back flap.

■ Cast Iron Frame

P-Base Vertical Solid Shaft Pump, Three Phase, ODP, 1.15 Service Factor



3 thru 60 Hp

NEMA 182HP thru 326HP

Applications: For normal thrust applications. Waste water treatment plants, petro chemical industries, pulp and paper mills and agricultural irrigation applications.

Features: Cast iron frame and endplates. Rotatable conduit box, drip cover, stainless nameplate, epoxy finish. Two lifting lugs for balanced lifting.

Hp	RPM	NEMA Frame	Catalog Number	List Price	Mult. Sym.	"C" Dim.	Aprx. Wt. (lb)	Full Load Efficiency	Voltage	Full Load Amps	Notes (a)
EPAct High Efficiency, Normal Thrust											
3	3600	182HP	VHM3210T	2,083	L1	21.33	132	84	208-230/460	3.7	1, 17
	1800	182HP	VHM3211T	1,861	L1	21.33	96	86.5	208-230/460	4.2	1, 17
5	3600	184HP	VHM3212T	2,686	L1	21.33	99	85.5	208-230/460	5.7	1, 17
	1800	184HP	VHM3218T	2,480	L1	21.33	105	87.5	208-230/460	6.9	1, 17
7 1/2	3600	184HP	VHM3219T	3,181	L1	21.33	158	87.5	208-230/460	8.5	1, 17, 35
	1800	213HP	VHM3311T	3,078	L1	23.73	169	88.5	208-230/460	10.7	1, 17
10	3600	213HP	VHM3312T	3,320	L1	23.73	169	88.5	208-230/460	11.6	1, 17
	1800	215HP	VHM3313T	3,454	L1	23.73	165	89.5	208-230/460	13	1, 17
15	3600	215HP	VHM3314T	3,505	L1	23.73	179	89.5	208-230/460	16.8	1, 17
	1800	254HP	VHM2513T	3,632	L1	26.74	337	91	208-230/460	18.1	1, 17
20	3600	254HP	VHM2514T	3,812	L1	26.73	310	90.2	230/460	23.5	1, 17, 30
	1800	256HP	VHM2515T	4,125	L1	25.81	334	91	230/460	25	1, 17, 30
25	3600	256HP	VHM2516T	4,055	L1	26.73	333	91	230/460	29	1, 17, 30
	1800	284HP	VHM2531T	4,602	L1	29.93	442	92.4	230/460	30	1, 17, 30
30	3600	284HP	VHM2534T	4,461	L1	26.74	450	91	230/460	34	1, 17, 30
	1800	286HP	VHM2535T	5,168	L1	29.93	462	92.4	230/460	38.2	1, 17, 30
40	3600	286HP	VHM2538T	6,437	L1	29.93	486	91.7	230/460	45	1, 17, 30
	1800	324HP	VHM2539T	6,020	L1	33.87	660	93	230/460	47	1, 17, 30
50	3600	324HP	VHM2542T	7,888	L1	33.87	680	92.4	208-230/460	57	1, 17
	1800	326HP	VHM2543T	8,504	L1	33.87	682	93	230/460	59	1, 17, 30
60	3600	326HP	VHM2546T	10,078	L1	33.87	705	93	208-230/460	66	1, 17

(a) See notes on inside back flap.

Custom TEFC motors available through 2,250 Hp; Open and WPll custom motors through 15,000 Hp. Contact your Baldor Sales Representative.

THRUST BEARINGS MUST BE LOADED TO A MINIMUM OF 20% OF RATED THRUST FOR PROPER BEARING LOADING AND LIFE.

■ Cast Iron Frame

General Information

Single Phase Motors

General Purpose Industrial Motors

Severe Duty Motors

Large AC Motors

Washdown Duty Motors

Explosion Proof Motors

Pump Motors

HVAC Motors

Farm Duty Motors

SAE Hydraulic Pump Motors, Three Phase, Continuous Duty

5 thru 10 Hp

NEMA 184TYZ thru 215TYZ

Applications: Hydraulic pumps for lifts, trash compactors and other machinery.

Features: TEFC motors designed for continuous duty (may be used on intermittent duty applications). Base mount with SAE A or B pump mount face and shaft. F3 top-mounted conduit box.



Hp	RPM	NEMA Frame	Catalog Number	List Price	Mult. Sym.	"C" Dim.	Aprx. Wt. (lb)	Full Load Efficiency	Voltage	Full Load Amps	Notes (a)
5	1800	184TYZ	HPM3615T	842	L1	13.50	82	87.5	208-230/460	6.8	
7 1/2	1800	213TYZ	HPM3710T	1,082	L1	14.66	127	89.5	208-230/460	10.1	
10	1800	215TYZ	HPM3714T	1,277	L1	15.79	136	89.5	208-230/460	13.5	

(a) See notes on inside back flap.

Submersible Motors, Single Phase, TENV

1 thru 5 Hp

180TY thru 210TY

Applications: Submersible motors suitable for wet pit applications. Municipal and Industrial wastewater, slurry pump, aerators and mixers. Continuous duty in water/ sewage, 15 minutes in air.

Features: All cast iron construction, 416 stainless steel shafts, dual carbon ceramic mechanical seals, (2) NC thermostats and 25 feet of cable. Dual moisture sensing probes. Includes NEMA 1 enclosure control box, wired complete with starting capacitors, wiring diagram and terminal board. 1.15 Service Factor. Explosion Proof, Division 1, Class I, Group C & D, T3C. 5 year pro-rated warranty. UL listed, Hazardous Duty.



Hp	RPM	NEMA Frame	Catalog Number	XP Cls/Grp	Temp Code	List Price	Mult. Sym.	"C" Dim.	Aprx. Wt. (lb)	Full Load Efficiency	Voltage	Full Load Amps	Notes (a)
1	1800	180TY	SUL50104SM	④	T3C	5,725	S1	25.94	240	55	230	8.1	81, 97
	1200	180TY	SUL50106SM	④	T3C	5,991	S1	25.94	240	55.6	230	8.6	81, 97
1 1/2	1800	180TY	SUL50154SM	④	T3C	5,725	S1	25.94	291	62.5	230	10.6	81, 97
	1200	180TY	SUL50156SM	④	T3C	6,850	S1	25.94	256	57	230	12.5	81, 97
2	1800	180TY	SUL50204SM	④	T3C	6,347	S1	25.94	250	60.9	230	14.4	81, 97
3	1800	180TY	SUL50304SM	④	T3C	7,935	S1	26.66	260	64.7	230	20	81, 97
		180TY	SUL50304	④	T3C	7,935	S1	25.94	256	64.7	230	20	81
	1200	210TY	SUL50306SM	④	T3C	9,727	S1	32.41	315	65.6	230	21	81, 97
5	1800	210TY	SUL50504	④	T3C	10,566	S1	31.69	369	69	230	30	82

(a) See notes on inside back flap.

④ = Class I, Group C & D

■ Cast Iron Frame

IMMERSIBLE MOTORS AVAILABLE THROUGH 250 HP. CONTACT YOUR LOCAL BALDOR•RELIANCE DISTRICT OFFICE WITH YOUR INQUIRY AND SPECIFICATIONS.

General Information

Single Phase Motors

General Purpose Industrial Motors

Severe Duty Motors

Large AC Motors

Washdown Duty Motors

Explosion Proof Motors

Pump Motors

HVAC Motors

Farm Duty Motors

**Submersible Motors,
Three Phase, TENV**

1 thru 100 Hp

180TY thru 360TY



Applications: Submersible motors suitable for wet pit applications. Municipal and Industrial wastewater, slurry pump, aerators and mixers. Continuous duty in water/ sewage, 15 minutes in air.

Features: All cast iron construction, 416 stainless steel shafts, dual carbon ceramic mechanical seals, (2) NC thermostats and 25 feet of cable. Dual moisture sensing probes. 1.15 Service Factor. UL Listed motors are Division 1, Class I, Group C & D, T3C. 5 year pro-rated warranty. Inverter capable for 10:1 variable torque for Division 1, Class I, Group C & D, T2A temp code.

Hp	RPM	NEMA Frame	Catalog Number	XP Cls/Grp	Temp Code	List Price	Mult. Sym.	"C" Dim.	Aprx. Wt. (lb)	Full Load Efficiency	Voltage	Full Load Amps	Notes (a)
UL Listed, Hazardous Duty, Explosion Proof													
1	1800	180TY	SUM70104SM	④	T3C	5,102	S1	25.94	169	63.5	230	3.4	81, 97
1 1/2	1800	180TY	SUM70154SM	④	T3C	5,226	S1	25.94	175	70.5	230	4.6	81, 97
2	1800	180TY	SUM70204SM	④	T3C	5,324	S1	25.94	183	73.5	230	5.8	81, 97
		180TY	SUM70204SM-8	④	T3C	5,324	S1	25.94	182	73.5	200	6.7	81, 97
3	1800	180TY	SUM70304SM	④	T3C	5,382	S1	25.94	200	78.1	230	8.8	81, 97
	1200	180TY	SUM70306	④	T3C	5,469	S1	26.66	235	78	230	10.4	81
5	1800	180TY	SUM70504	④	T3C	5,611	S1	26.66	240	80.2	230	14	81
		180TY	SUM70504-4	④	T3C	5,611	S1	26.66	235	80.2	460	7	81
	180TY	SUM70504-8	④	T3C	5,611	S1	26.66	235	80.2	200	16.1	81	
	1200	180TY	SUM70506	④	T3C	7,412	S1	26.66	248	80.7	230	16	81
7 1/2	210TY	180TY	SUM70508-4	④	T3C	9,155	S1	31.69	350	82.6	460	8.3	82
		180TY	SUM70754	④	T3C	7,021	S1	26.66	243	82.7	230	20.2	81
	1200	180TY	SUM70754-4	④	T3C	7,021	S1	26.66	245	82.7	460	10.1	81
		210TY	SUM70756	④	T3C	8,190	S1	31.69	350	81.7	230	22.6	81
10	210TY	180TY	SUM70756-4	④	T3C	8,190	S1	31.69	350	81.7	460	11.3	81
		210TY	SUM71004	④	T3C	7,567	S1	31.69	356	85.6	230	26	81
	1200	210TY	SUM71004-4	④	T3C	7,567	S1	31.69	356	85.6	460	13	81
		210TY	SUM71006	④	T3C	10,014	S1	31.69	391	83.8	230	28.8	81
15	210TY	210TY	SUM71006-4	④	T3C	10,014	S1	31.69	391	83.8	460	14.4	81
		210TY	SUM71504	④	T3C	9,694	S1	31.69	376	85.4	230	40.2	81
	1200	210TY	SUM71504-4	④	T3C	9,694	S1	31.69	374	85.4	460	20.1	81
		250TY	SUM71506-4	④	T3C	13,228	S1	37.34	469	86.5	460	20.3	81
20	210TY	180TY	SUM72004SM-4	④	T3C	10,684	S1	32.41	378	86.6	460	26.2	81, 97
		210TY	SUM72004-4	④	T3C	11,257	S1	31.69	407	86.6	460	26.2	81
	1200	250TY	SUM72006-4	④	T3C	14,587	S1	37.34	474	86.7	460	27.4	81
25	250TY	180TY	SUM72504-4	④	T3C	13,650	S1	37.34	495	88.5	460	32.1	81
		250TY	SUM72504SM-4	④	T3C	13,650	S1	37.06	517	88.5	460	32.1	81, 97
	1200	250TY	SUM72506-4	④	T3C	18,927	S1	37.34	496	86.7	460	35.2	81
30	1800	250TY	SUM73004-4	④	T3C	14,744	S1	37.34	445	88.7	460	39.9	81
	1200	320TY	SUM73006-4	④	T3C	22,712	S1	43.12	1150	89.7	460	40.7	82
40	1800	250TY	SUM74004-4	④	T3C	19,961	S1	37.34	510	89	460	51.7	82
50	1800	320TY	SUM75004-4	④	T3C	23,360	S1	43.12	882	91.1	460	64.3	82
		320TY	SUM75004SM-4	④	T3C	23,360	S1	42.5	880	91.1	460	64.3	82, 97
	1200	320TY	SUM75006-4	④	T3C	25,332	S1	43.12	872	90.5	460	65.9	82
60	1800	320TY	SUM76004-4	④	T3C	29,877	S1	43.12	950	92	460	74.9	82
75	1800	320TY	SUM77504-4	④	T3C	38,734	S1	43.12	956	92.6	460	91.3	82
	1200	360TY	SUM77506-4	④	T3C	39,606	S1	47.1	1374	92.3	460	90.9	82
100	1800	360TY	SUM710004-4	④	T3C	41,185	S1	47.1	1340	91.6	460	116	82
	1200	360TY	SUM710006-4	④	T3C	50,906	S1	47.1	1500	91.2	460	122	82
Non-UL Listed, Non Hazardous Duty													
7 1/2	1800	210TY	SUM20754			5,361	S1	31.69	335	82.8	230	20.8	81
		210TY	SUM20754-4			5,361	S1	31.69	340	82.8	460	10.4	81
10	1800	210TY	SUM21004			6,434	S1	31.69	351	85.6	230	26	81
		210TY	SUM21004-4			6,434	S1	31.69	367	85.6	460	13	81
15	1800	210TY	SUM21504			8,104	S1	31.69	368	85.4	230	40.2	81
		210TY	SUM21504-4			8,104	S1	31.69	377	85.4	460	20.1	81

(a) See notes on inside back flap.

④ = Class I, Group C & D

Cast Iron Frame Red Catalog Number indicates NEW Product.

Longer cable lengths and custom submersible motors are available. Contact your Baldor•Reliance Sales Representative.

General Information

Single Phase Motors

General Purpose Industrial Motors

Severe Duty Motors

Large AC Motors

Washdown Duty Motors

Explosion Proof Motors

Pump Motors

HVAC Motors

Farm Duty Motors

Three Phase, TEFC, Foot Mounted, with Internal Baldor Shaft Grounding Brush

1 thru 50 Hp

NEMA 143T thru 326T



Applications: Heating, ventilation and air conditioning blower and fan motors, pump motors, and other general purpose applications using an adjustable speed drive.

Features: Baldor shaft grounding brush installed internally. Class H insulated motor. Regreasable ball bearings. Dynamically balanced rotors for reduced vibration and quiet operation. All models are Super-E® designs which meet NEMA Premium® efficiencies, are Inverter Ready, and have a 3-year warranty.

Hp	RPM	NEMA Frame	Catalog Number	List Price	Mult. Sym.	"C" Dim.	Aprx. Wt. (lb)	Full Load Efficiency	Voltage	Full Load Amps	Notes (a)
1	1800	143T	EM3546T-BG	872	L1	13.31	38	85.5	208-230/460	1.5	
1 1/2	1800	145T	EM3554T-BG	900	L1	13.31	41	86.5	208-230/460	2.2	
2	3600	145T	EM3555T-BG	961	L1	13.31	41	85.5	208-230/460	2.5	
	1800	145T	EM3558T-BG	927	L1	13.31	45	86.5	208-230/460	2.9	
3	3600	145T	EM3559T-BG	1,037	L1	14.19	50	86.5	208-230/460	3.6	
	1800	182T	EM3611T-BG	1,037	L1	16.54	70	89.5	208-230/460	4.2	
	1200	213T	EM3704T-BG	1,570	L1	19.01	132	89.5	230/460	4.6	
5	3600	184T	EM3613T-BG	1,175	L1	16.54	74	88.5	230/460	5.9	
	1800	184T	EM3615T-BG	1,116	L1	18.04	93	89.5	208-230/460	6.7	
	1200	215T	EM3708T-BG	1,745	L1	19.76	154	89.5	208-230/460	7.3	
7 1/2	3600	213T	EM3709T-BG	1,686	L1	17.89	121	89.5	208-230/460	9	
	1800	213T	EM3710T-BG	1,547	L1	19.01	127	91.7	230/460	9.4	30
	1200	254T	EM2276T-BG	2,812	L1	23.30	310	91	230/460	10.7	30
10	3600	215T	EM3711T-BG	1,706	L1	17.89	118	90.2	208-230/460	11.8	
	1800	215T	EM3714T-BG	1,718	L1	20.51	165	91.7	208-230/460	12	
	1200	256T	EM2332T-BG	3,172	L1	23.30	310	91	230/460	14.4	30
15	3600	254T	EM2394T-BG	2,783	L1	23.30	253	91	230/460	17.5	30
	1800	254T	EM2333T-BG	2,569	L1	23.30	274	92.4	230/460	18.1	30
	1200	284T	EM4100T-BG	4,179	L1	27.76	372	91.7	230/460	21	30
20	1800	256T	EM2334T-BG	3,059	L1	23.30	290	93	230/460	24	30
	1200	286T	EM4102T-BG	5,465	L1	27.76	406	91.7	208-230/460	27	
25	1800	284T	EM4103T-BG	3,956	L1	27.76	420	93.6	230/460	30	30
	1200	324T	EM4111T-BG	6,211	L1	30.39	475	93	230/460	32	30
30	1800	286T	EM4104T-BG	4,637	L1	27.76	437	93.6	230/460	38	
40	1800	324T	EM4110T-BG	6,039	L1	30.28	578	94.1	230/460	48	30
50	1800	326T	EM4115T-BG	6,565	L1	30.28	641	94.5	230/460	58	

(a) See notes on inside back flap.

■ Cast Iron Frame

**Three Phase,
TEFC, Foot Mounted,
C-Face, with Internal
Baldor Shaft Grounding
Brush**

1/2 thru 5 Hp

NEMA 56C thru 184TC



Applications: Unit Handling, HVAC, pump motors, and other general purpose applications using an adjustable speed drive.

Features: Baldor shaft grounding brush installed internally. Class H insulated motor. Regreasable ball bearings. Dynamically balanced rotors for reduced vibration and quiet operation. All models are Super-E® designs which meet NEMA Premium® efficiencies, are Inverter Ready, and have a 3-year warranty.

Hp	RPM	NEMA Frame	Catalog Number	List Price	Mult. Sym.	"C" Dim.	Aprx. Wt. (lb)	Full Load Efficiency	Voltage	Full Load Amps	Notes (a)
1/2	1800	56C	CEM3538-BG	854	K	12.23	33	82.5	208-230/460	0.8	
3/4	1800	56C	CEM3542-BG	881	K	12.23	37	84	208-230/460	1.1	12
1	1800	143TC	CEM3546T-BG	907	L1	13.29	38	85.5	208-230/460	1.5	
1 1/2	1800	145TC	CEM3554T-BG	935	L1	13.29	41	86.5	208-230/460	2.2	
2	1800	145TC	CEM3558T-BG	962	L1	13.29	45	86.5	208-230/460	2.9	
3	1800	182TC	CEM3611T-BG	1,109	L1	16.55	70	89.5	208-230/460	4.2	
5	1800	184TC	CEM3615T-BG	1,188	L1	18.05	93	89.5	208-230/460	6.7	

(a) See notes on inside back flap.
 Cast Iron Frame

General Information

Single Phase Motors

General Purpose Industrial Motors

Severe Duty Motors

Large AC Motors

Washdown Duty Motors

Explosion Proof Motors

Pump Motors

HVAC Motors

Farm Duty Motors

Three Phase, ODP, Foot Mounted, with Internal Baldor Shaft Grounding Brush

1 thru 50 Hp

NEMA 143T thru 326T



Applications: Heating, ventilation and air conditioning blower and fan motors, pump motors, and other general purpose applications using an adjustable speed drive.

Features: Baldor shaft grounding brush installed internally. Class H insulated motor. Regreasable ball bearings. Dynamically balanced rotors for reduced vibration and quiet operation. All models are Super-E® designs which meet NEMA Premium® efficiencies, are Inverter Ready, and have a 3-year warranty.

Hp	RPM	NEMA Frame	Catalog Number	List Price	Mult. Sym.	"C" Dim.	Aprx. Wt. (lb)	Full Load Efficiency	Voltage	Full Load Amps	Notes (a)
1	1800	143T	EM3116T-BG	877	L1	11.12	34	85.5	208-230/460	1.5	
1 1/2	1800	145T	EM3154T-BG	909	L1	11.62	37	86.5	230/460	2.2	30
2	3600	143T	EM3155T-BG	884	L1	11.62	43	85.5	208-230/460	2.5	
	1800	145T	EM3157T-BG	962	L1	12.12	43	86.5	230/460	2.9	30
3	3600	145T	EM3158T-BG	893	L1	13.00	51	85.5	230/460	3.8	30
	1800	182T	EM3211T-BG	1,055	L1	15.00	74	89.5	230/460	4.2	30
	1200	213T	EM3305T-BG	1,328	L1	16.32	110	88.5	208-230/460	4.5	
5	3600	182T	EM3212T-BG	991	L1	13.62	63	86.5	208-230/460	6	
	1800	184T	EM3218T-BG	1,137	L1	16.50	92	89.5	208-230/460	6.6	
	1200	215T	EM3309T-BG	1,672	L1	17.45	141	89.5	208-230/460	7.4	
7 1/2	3600	184T	EM3219T-BG	1,456	L1	15.00	77	88.5	208-230/460	8.6	
	1800	213T	EM3311T-BG	1,602	L1	16.32	120	91	208-230/460	9.7	
	1200	254T	EM2506T-BG	2,002	L1	23.19	248	90.2	230/460	11	30
10	3600	213T	EM3312T-BG	1,661	L1	16.32	121	89.5	208-230/460	12	
	1800	215T	EM3313T-BG	1,893	L1	17.45	132	91.7	230/460	12.5	
	1200	256T	EM2511T-BG	2,526	L1	23.19	255	91.7	230/460	14.3	30
15	3600	215T	EM3314T-BG	2,266	L1	16.32	131	90.2	230/460	17.5	
	1800	254T	EM2513T-BG	2,630	L1	21.69	234	93	230/460	17.7	30
	1200	284T	EM2524T-BG	3,350	L1	23.81	300	91.7	230/460	20.5	30
20	1800	256T	EM2515T-BG	2,860	L1	21.69	228	93	230/460	23.5	30
	1200	286T	EM2528T-BG	4,012	L1	23.81	321	92.4	230/460	27	30
25	1800	284T	EM2531T-BG	3,465	L1	25.06	387	93.6	230/460	30	
30	1800	286T	EM2535T-BG	3,761	L1	25.06	341	94.1	230/460	35	30
40	1800	324T	EM2539T-BG	4,882	L1	27.19	389	94.1	230/460	49	30
50	1800	326T	EM2543T-BG	5,349	L1	27.69	497	94.5	230/460	57	30

(a) See notes on inside back flap.

■ Cast Iron Frame

Three Phase,
TEFC, Foot Mounted,
with Internal AEGIS®
Bearing Protection Ring

1 thru 100 Hp

NEMA 56 thru 405T



Applications: Heating, ventilation and air conditioning blower and fan motors, pump motors, and other general purpose applications using an adjustable speed drive.

Features: Class H insulated motor with AEGIS® bearing protection ring installed internally. Regreasable ball bearings. Dynamically balanced rotors for reduced vibration and quiet operation. All models meet NEMA Premium® efficiencies, are Inverter Ready, and have a 3-year warranty.

Hp	RPM	NEMA Frame	Catalog Number	List Price	Mult. Sym.	"C" Dim.	Aprx. Wt. (lb)	Full Load Efficiency	Voltage	Full Load Amps	Notes (a)
230/460 Volt											
1	3600	56	EM3545-G	796	K	12.23	32	77	230/460	1.4	12
	1800	143T	EM3546T-G	872	L1	12.31	36	85.5	208-230/460	1.5	
	1200	145T	EM3556T-G	1,012	L1	13.31	43	82.5	208-230/460	1.8	
1 1/2	3600	143T	EM3550T-G	892	L1	12.29	36	84	208-230/460	1.9	
	1800	145T	EM3554T-G	900	L1	13.31	42	86.5	208-230/460	2.2	
	1200	182T	EM3607T-G	1,186	L1	16.54	76	87.5	208-230/460	2.4	
2	3600	145T	EM3555T-G	961	L1	13.29	46	85.5	208-230/460	2.5	
	1800	145T	EM3558T-G	927	L1	13.31	42	86.5	208-230/460	2.9	
	1200	184T	EM3614T-G	1,234	L1	18.04	94	88.5	208-230/460	3.5	
3	3600	145T	EM3559T-G	1,037	L1	14.17	53	86.5	208-230/460	3.6	
		182T	EM3610T-G	1,079	L1	15.29	57	86.5	208-230/460	3.6	
	1800	182T	EM3611T-G	1,037	L1	16.54	74	89.5	208-230/460	4.2	
5	1200	213T	EM3704T-G	1,570	L1	19.01	135	89.5	230/460	4.6	
	3600	184T	EM3613T-G	1,175	L1	16.54	76	88.5	230/460	5.9	
	1800	184T	EM3615T-G	1,116	L1	18.04	92	89.5	208-230/460	6.7	
7 1/2	1200	215T	EM3708T-G	1,745	L1	19.76	154	89.5	208-230/460	7.3	
	3600	213T	EM3709T-G	1,686	L1	17.89	133	89.5	208-230/460	9	
	1800	213T	EM3710T-G	1,547	L1	19.01	129	91.7	230/460	9.4	30
10	1200	254T	EM2276T-G	2,842	L1	23.30	281	91	230/460	10.7	30
	3600	215T	EM3711T-G	1,706	L1	17.89	118	90.2	208-230/460	11.8	
	1800	215T	EM3714T-G	1,718	L1	20.51	156	91.7	208-230/460	12	
15	1200	256T	EM2332T-G	3,202	L1	23.30	291	91	230/460	14.4	30
	3600	254T	EM2394T-G	2,813	L1	23.30	239	91	230/460	17.5	30
	1800	254T	EM2333T-G	2,599	L1	23.30	270	92.4	230/460	18.1	30
20	1200	284T	EM4100T-G	4,257	L1	27.76	369	91.7	230/460	21	30
	3600	256T	EM4106T-G	3,059	L1	23.30	261	91	230/460	23	30
	1800	256T	EM2334T-G	3,089	L1	23.30	295	93	230/460	24	30
25	1200	286T	EM4102T-G	5,543	L1	27.76	393	91.7	208-230/460	27	
	3600	284TS	EM4107T-G	3,986	L1	24.70	323	91.7	230/460	29	
	1800	284T	EM4103T-G	4,034	L1	27.76	380	93.6	230/460	30	30
30	1200	324T	EM4111T-G	6,301	L1	30.39	507	93	230/460	32	30
	3600	286TS	EM4108T-G	4,665	L1	24.70	336	91.7	230/460	34	
	1800	286T	EM4104T-G	4,715	L1	27.76	410	93.6	230/460	38	
40	1200	326T	EM4117T-G	7,209	L1	30.28	604	93	230/460	39	30
	3600	324TS	EM4109T-G	6,333	L1	28.78	532	92.4	230/460	46	30
	1800	324T	EM4110T-G	6,129	L1	30.28	596	94.1	230/460	48	30
50	1200	364T	EM4308T-G	9,257	L1	33.48	883	94.1	230/460	49.4	
	3600	326TS	EM4114T-G	6,885	L1	28.78	584	93	208-230/460	56	
	1800	326T	EM4115T-G	6,655	L1	30.28	648	94.5	230/460	58	
	1200	365T	EM4312T-G	11,010	L1	33.48	910	94.1	230/460	61.7	

(a) See notes on inside back flap.
 ■ Cast Iron Frame

General Information

Single Phase Motors

General Purpose Industrial Motors

Severe Duty Motors

Large AC Motors

Washdown Duty Motors

Explosion Proof Motors

Pump Motors

HVAC Motors

Farm Duty Motors

Three Phase, TEFC, Foot Mounted, with Internal AEGIS® Bearing Protection Ring

Hp	RPM	NEMA Frame	Catalog Number	List Price	Mult. Sym.	"C" Dim.	Aprx. Wt. (lb)	Full Load Efficiency	Voltage	Full Load Amps	Notes (a)
230/460 Volt											
60	3600	364TS	EM4310T-G	9,875	L1	31.36	900	95	230/460	66.3	
	1800	364T	EM4314T-G	9,763	L1	33.48	907	95	230/460	68	
75	3600	365TS	EM4313T-G	11,350	L1	31.36	966	95	230/460	81.9	
	1800	365T	EM4316T-G	11,273	L1	33.48	956	95.4	230/460	85.9	
100	1800	405T	EM4400T-G	14,152	L1	38.45	1214	95.4	230/460	112	
200 Volt											
5	1800	184T	EM3665T-8G	1,350	L1	15.23	119	89.5	200	15.1	
7 1/2	1800	213T	EM3770T-8G	1,725	L1	18.45	170	91.7	200	21.4	
10	1800	215T	EM3774T-8G	1,908	L1	18.45	231	91.7	200	28	
15	1800	254T	EM2333T-8G	2,599	L1	23.30	254	92.4	200	42.4	
575 Volt											
1	1800	143T	EM3546T-5G	872	L1	12.31	35	85.5	575	1.2	
1 1/2	1800	145T	EM3554T-5G	900	L1	13.31	42	86.5	575	1.8	
2	1800	145T	EM3558T-5G	927	L1	13.31	46	86.5	575	2.3	
3	1800	182T	EM3611T-5G	1,037	L1	16.54	76	89.5	575	3.3	
5	1800	184T	EM3615T-5G	1,116	L1	18.04	84	89.5	575	5.3	
7 1/2	1800	213T	EM3710T-5G	1,547	L1	19.01	126	91.7	575	7.6	
10	1800	215T	EM3714T-5G	1,718	L1	20.51	165	91.7	575	9.6	
15	1800	254T	EM2333T-5G	2,599	L1	23.30	250	92.4	575	14.5	
20	1800	256T	EM2334T-5G	3,089	L1	23.30	293	93	575	19.2	
25	1800	284T	EM4103T-5G	4,034	L1	27.76	364	93.6	575	23	
30	1800	286T	EM4104T-5G	4,715	L1	27.76	423	93.6	575	29	
40	1800	324T	EM4110T-5G	6,129	L1	30.28	576	94.1	575	39	
50	1800	326T	EM4115T-5G	6,655	L1	30.28	644	94.5	575	46	

(a) See notes on inside back flap.

■ Cast Iron Frame

Red Catalog Number indicates **NEW** Product.

General Information

Single Phase Motors

General Purpose Industrial Motors

Severe Duty Motors

Large AC Motors

Washdown Duty Motors

Explosion Proof Motors

Pump Motors

HVAC Motors

Farm Duty Motors

**Three Phase,
ODP, Foot Mounted,
with Internal AEGIS®
Bearing Protection Ring**

1 thru 100 Hp

NEMA 56 thru 404T



Applications: Heating, ventilation and air conditioning blower and fan motors, pump motors, and other general purpose applications using an adjustable speed drive.

Features: Class H insulated motor with AEGIS® bearing protection ring installed internally. Regreasable ball bearings. Dynamically balanced rotors for reduced vibration and quiet operation. All models meet NEMA Premium® efficiencies, are Inverter Ready, and have a 3-year warranty.

Note: Non-compliant small motors may not be manufactured after March 9, 2015. Pre-existing inventory may be sold or used. Contact Baldor for new compliant motors.

Hp	RPM	NEMA Frame	Catalog Number	List Price	Mult. Sym.	"C" Dim.	Aprx. Wt. (lb)	Full Load Efficiency	Voltage	Full Load Amps	Notes (a)
230/460 Volt											
1	3600	56	EM3115-G	703	K	11.06	28	80	208-230/460	1.5	12, 98
	1800	143T	EM3116T-G	877	L1	11.12	34	85.5	208-230/460	1.5	
	1200	145T	EM3156T-G	893	L1	11.62	40	82.5	208-230/460	1.8	
1 1/2	3600	143T	EM3120T-G	778	L1	11.12	34	84	208-230/460	2	
	1800	145T	EM3154T-G	909	L1	11.62	38	86.5	230/460	2.2	30
	1200	182T	EM3207T-G	1,048	L1	15.00	67	86.5	208-230/460	2.5	
2	3600	143T	EM3155T-G	884	L1	11.62	41	85.5	208-230/460	2.5	
	1800	145T	EM3157T-G	962	L1	12.12	41	86.5	230/460	2.9	30
	1200	184T	EM3215T-G	1,067	L1	16.50	79	87.5	208-230/460	3.4	
3	3600	145T	EM3158T-G	893	L1	13.00	46	85.5	230/460	3.8	30
	1800	182T	EM3211T-G	1,055	L1	15.00	72	89.5	230/460	4.2	30
	1200	213T	EM3305T-G	1,328	L1	16.32	110	88.5	208-230/460	4.5	
5	3600	182T	EM3212T-G	991	L1	13.62	63	86.5	208-230/460	6	
	1800	184T	EM3218T-G	1,137	L1	16.50	84	89.5	208-230/460	6.6	
	1200	215T	EM3309T-G	1,672	L1	17.45	141	89.5	208-230/460	7.4	
7 1/2	3600	184T	EM3219T-G	1,456	L1	15.00	75	88.5	208-230/460	8.6	
	1800	213T	EM3311T-G	1,602	L1	16.32	115	91	208-230/460	9.7	
	1200	254T	EM2506T-G	2,032	L1	23.19	243	90.2	230/460	11	30
10	3600	213T	EM3312T-G	1,661	L1	16.32	113	89.5	208-230/460	12	
	1800	215T	EM3313T-G	1,893	L1	17.45	127	91.7	230/460	12.5	
	1200	256T	EM2511T-G	2,556	L1	23.19	255	91.7	230/460	14.3	30
15	3600	215T	EM3314T-G	2,266	L1	16.32	126	90.2	230/460	17.5	
	1800	254T	EM2513T-G	2,660	L1	21.69	210	93	230/460	17.7	30
	1200	284T	EM2524T-G	3,428	L1	23.81	280	91.7	230/460	20.5	30
20	3600	254T	EM2514T-G	2,695	L1	21.69	195	91	230/460	23.5	30
	1800	256T	EM2515T-G	2,890	L1	21.69	227	93	230/460	23.5	30
	1200	286T	EM2528T-G	4,090	L1	23.81	299	92.4	230/460	27	30
25	3600	256T	EM2516T-G	3,177	L1	21.69	212	91.7	230/460	28	30
	1800	284T	EM2531T-G	3,543	L1	25.06	314	93.6	230/460	30	
	1200	324T	EM2532T-G	4,941	L1	27.69	384	93	208-230/460	34	
30	3600	284TS	EM2534T-G	3,781	L1	22.44	311	91.7	208-230/460	35	
	1800	286T	EM2535T-G	3,839	L1	25.06	337	94.1	230/460	35	30
	1200	326T	EM2536T-G	5,134	L1	28.69	457	93.6	230/460	38	30
40	3600	286TS	EM2538T-G	4,762	L1	22.44	328	92.4	208-230/460	46	
	1800	324T	EM2539T-G	4,972	L1	27.19	389	94.1	230/460	49	30
	1200	364T	EM2540T-G	7,170	L1	30.69	606	94.1	230/460	51	30
50	3600	324TS	EM2542T-G	5,232	L1	25.69	392	93	208-230/460	56	
	1800	326T	EM2543T-G	5,439	L1	27.69	473	94.5	230/460	57	30
60	1800	364T	EM2547T-G	7,117	L1	30.69	616	95	230/460	68	30
75	1800	365T	EM2551T-G	8,543	L1	33.72	750	95	230/460	87	30
100	1800	404T	EM2555T-4G	10,158	L1	36.97	898	95.4	460	115	

(a) See notes on inside back flap.

General Information

Single Phase Motors

General Purpose Industrial Motors

Severe Duty Motors

Large AC Motors

Washdown Duty Motors

Explosion Proof Motors

Pump Motors

HVAC Motors

Farm Duty Motors

Three Phase, ODP, Foot Mounted, with Internal AEGIS® Bearing Protection Ring

Hp	RPM	NEMA Frame	Catalog Number	List Price	Mult. Sym.	"C" Dim.	Aprx. Wt. (lb)	Full Load Efficiency	Voltage	Full Load Amps	Notes (a)
200 Volt											
1	1800	143T	EM3116T-8G	877	L1	11.12	34	85.5	200	3.5	
1 1/2	1800	145T	EM3154T-8G	909	L1	11.62	37	86.5	200	5.1	
2	1800	145T	EM3157T-8G	962	L1	12.12	43	86.5	200	6.5	
3	1800	182T	EM3211T-8G	1,055	L1	15.00	74	89.5	200	9.7	
5	1800	184T	EM3218T-8G	1,137	L1	16.50	92	89.5	200	15.3	
7 1/2	1800	213T	EM3311T-8G	1,602	L1	16.32	120	91	200	22.2	
10	1800	215T	EM3313T-8G	1,893	L1	17.45	132	91.7	200	29.5	
15	1800	254T	EM2513T-8G	2,660	L1	21.69	234	93	200	40.7	
20	1800	256T	EM2515T-8G	2,890	L1	21.69	250	93	200	54.3	
25	1800	284T	EM2531T-8G	3,543	L1	25.06	330	93.6	200	70	
30	1800	286T	EM2535T-8G	3,839	L1	25.06	340	94.1	200	81	
40	1800	324T	EM2539T-8G	4,972	L1	27.19	390	94.1	200	109	
575 Volt											
1	1800	143T	EM3116T-5G	877	L1	11.12	34	85.5	575	1.2	
1 1/2	1800	145T	EM3154T-5G	909	L1	11.62	37	86.5	575	1.8	
2	1800	145T	EM3157T-5G	962	L1	12.12	43	86.5	575	2.3	
3	1800	182T	EM3211T-5G	1,055	L1	15.00	74	89.5	575	3.4	
5	1800	184T	EM3218T-5G	1,137	L1	16.50	92	89.5	575	5.3	
7 1/2	1800	213T	EM3311T-5G	1,602	L1	16.32	114	91	575	7.8	
10	1800	215T	EM3313T-5G	1,893	L1	17.45	132	91.7	575	10	
15	1800	254T	EM2513T-5G	2,660	L1	21.69	210	93	575	14.1	
20	1800	256T	EM2515T-5G	2,890	L1	21.69	250	93	575	18.9	
25	1800	284T	EM2531T-5G	3,543	L1	25.06	328	93.6	575	24.5	
30	1800	286T	EM2535T-5G	3,839	L1	25.06	340	94.1	575	28	
40	1800	324T	EM2539T-5G	4,972	L1	27.19	400	94.1	575	40	

(a) See notes on inside back flap.

**Super-E,
Three Phase, ODP,
Foot Mounted**

1 thru 100 Hp

NEMA 143T thru 404T

Applications: Heating, ventilation and air conditioning blower and fan motors.



Features: Class F insulated motor with 1.15 service factor or higher that operates within class “B” temperature limits at rated horsepower. Heavy-gauge steel frame construction, ball bearings, with plugged grease passages. Dynamically balanced rotors for reduced vibration and quiet operation. All models meet NEMA Premium® efficiencies, are Inverter Ready, and have a 3-year warranty. Includes bar-coded spec number label. Mounting holes on drive endplate for field conversion to add AEGIS® shaft ground.

Hp	RPM	NEMA Frame	Catalog Number	List Price	Mult. Sym.	“C” Dim.	Aprx. Wt. (lb)	Full Load Efficiency	Voltage	Full Load Amps	Notes (a)
230/460 Volt, F1 Mounting											
1	1800	143T	EHM3116T	651	LS	11.12	35	85.5	208-230/460	1.5	
1 1/2	1800	145T	EHM3154T	676	LS	11.62	37	86.5	230/460	2.2	30
2	1800	145T	EHM3157T	726	LS	12.13	41	86.5	230/460	2.9	30
3	1800	182T	EHM3211T	779	LS	15.00	72	89.5	230/460	4.2	30
	1200	213T	EHM3305T	1,141	L1	16.32	114	88.5	208-230/460	4.5	
5	1800	184T	EHM3218T	846	LS	16.50	85	89.5	208-230/460	6.6	
	1200	215T	EHM3309T	1,485	L1	17.45	141	89.5	208-230/460	7.4	
7 1/2	1800	213T	EHM3311T	1,230	LS	16.32	115	91	208-230/460	9.7	
	1200	254T	EHM2506T	1,773	L1	23.19	248	90.2	230/460	11	30
10	1800	215T	EHM3313T	1,480	LS	17.45	127	91.7	208-230/460	12.5	
	1200	256T	EHM2511T	2,297	L1	23.19	260	91.7	230/460	14.3	30
15	1800	254T	EHM2523T	2,087	LS	21.69	212	93	208-230/460	17.7	
	1200	284T	EHM2524T	3,085	L1	23.81	300	91.7	230/460	20.5	30
20	1800	256T	EHM2515T	2,612	LS	21.69	225	93	230/460	23.5	30
	1200	286T	EHM2528T	3,747	L1	23.81	321	92.4	230/460	27	30
25	1800	284T	EHM2531T	3,177	LS	25.06	306	93.6	230/460	30	30
	1200	324T	EHM2532T	4,519	L1	27.69	393	93	208-230/460	34	
30	1800	286T	EHM2535T	3,473	LS	25.06	339	94.1	230/460	35	30
	1200	326T	EHM2536T	4,712	L1	28.69	482	93.6	230/460	38	30
40	1800	324T	EHM2539T	4,519	LS	27.19	433	94.1	230/460	49	30
50	1800	326T	EHM2543T	5,544	LS	27.69	469	94.5	230/460	57	30
60	1800	364T	EHM2547T	6,268	LS	29.94	582	95	208-230/460	68	
75	1800	365T	EHM2551T	7,687	LS	33.72	752	95	230/460	87	
100	1800	404T	EHM2555T	8,762	LS	36.97	911	95.4	208-230/460	113	
230/460 Volt, F2 Mounting											
2	1800	145T	EHFM3157T	726	LS	12.13	49	86.5	230/460	2.9	
3	1800	182T	EHFM3211T	779	LS	15.00	68	89.5	230/460	4.2	30
5	1800	184T	EHFM3218T	846	LS	16.50	82	89.5	208-230/460	6.6	
7 1/2	1800	213T	EHFM3311T	1,230	LS	16.32	115	91	208-230/460	9.7	
10	1800	215T	EHFM3313T	1,480	LS	17.45	127	91.7	208-230/460	12.5	
15	1800	254T	EHFM2523T	2,087	LS	21.69	212	93	208-230/460	17.7	
20	1800	256T	EHFM2515T	2,612	LS	21.69	227	93	230/460	23.5	30
25	1800	284T	EHFM2531T	3,177	LS	25.06	301	93.6	230/460	30	30
30	1800	286T	EHFM2535T	3,473	LS	25.06	328	94.1	230/460	35	30
40	1800	324T	EHFM2539T	4,519	LS	27.19	429	94.1	230/460	49	30
50	1800	326T	EHFM2543T	5,544	LS	27.69	466	94.5	230/460	57	30

(a) See notes on inside back flap.

Red Catalog Number indicates **NEW** Product.

General Information

Single Phase Motors

General Purpose Industrial Motors

Severe Duty Motors

Large AC Motors

Washdown Duty Motors

Explosion Proof Motors

Pump Motors

HVAC Motors

Farm Duty Motors

Super-E, Three Phase, ODP, Foot Mounted

Hp	RPM	NEMA Frame	Catalog Number	List Price	Mult. Sym.	“C” Dim.	Aprx. Wt. (lb)	Full Load Efficiency	Voltage	Full Load Amps	Notes (a)
200 Volt											
1	1800	143T	EHM3116T-8	651	LS	11.12	34	85.5	200	3.5	
1 1/2	1800	145T	EHM3154T-8	676	LS	11.62	38	86.5	200	5.1	
2	1800	145T	EHM3157T-8	726	LS	12.13	41	86.5	200	6.5	
3	1800	182T	EHM3211T-8	779	LS	15.00	71	89.5	200	9.7	
5	1800	184T	EHM3218T-8	846	LS	16.50	85	89.5	200	15.3	
7 1/2	1800	213T	EHM3311T-8	1,230	LS	16.32	115	91	200	22.2	
10	1800	215T	EHM3313T-8	1,480	LS	17.45	129	91.7	200	29.5	30
15	1800	254T	EHFM2523T-8	2,082	LS	21.69	211	93	200	40.7	6, 30
		254T	EHM2523T-8	2,087	LS	21.69	210	93	200	40.7	30
20	1800	256T	EHM2515T-8	2,612	LS	21.69	226	93	200	54.3	30
25	1800	284T	EHM2531T-8	3,177	LS	25.06	369	93.6	200	70	
30	1800	286T	EHM2535T-8	3,473	LS	25.06	331	94.1	200	81	
40	1800	324T	EHM2539T-8	4,519	LS	26.69	434	94.1	200	108	
50	1800	326T	EHM2543T-8	5,544	LS	27.69	459	94.5	200	132	

(a) See notes on inside back flap.

General Information

Single Phase Motors

General Purpose Industrial Motors

Severe Duty Motors

Large AC Motors

Washdown Duty Motors

Explosion Proof Motors

Pump Motors

HVAC Motors

Farm Duty Motors

**Super-E,
Three Phase, TEFC,
Foot Mounted**

1 thru 50 Hp

NEMA 143T thru 326T



Applications: Heating, ventilation and air conditioning blower and fan motors.

Features: Class F Insulation, 1.15 service factor, ball bearings with plugged grease passages, heavy-gauge steel and cast-iron frames, dynamically balanced rotors for reduced vibration and quiet operation. All models meet NEMA Premium® efficiencies, are Inverter Ready, and have a 3-year warranty. Includes bar-coded spec number label. Mounting holes on drive endplate for field conversion to add AEGIS® shaft ground.

Hp	RPM	NEMA Frame	Catalog Number	List Price	Mult. Sym.	"C" Dim.	Aprx. Wt. (lb)	Full Load Efficiency	Voltage	Full Load Amps	Notes (a)
230/460 Volt											
1	1800	143T	EHM3546T	734	LS	12.31	37	85.5	208-230/460	1.5	1
1 1/2	1800	145T	EHM3554T	737	LS	13.29	44	86.5	208-230/460	2.2	1
2	1800	145T	EHM3558T	789	LS	13.29	46	86.5	208-230/460	2.9	1
3	1800	182T	EHM3611T	869	LS	16.54	73	89.5	208-230/460	4.2	1
5	1800	184T	EHM3615T	949	LS	18.04	93	89.5	208-230/460	6.7	1
	1200	215T	EHM3708T	1,558	L1	19.78	154	89.5	208-230/460	7.3	
7 1/2	1800	213T	EHM3710T	1,353	LS	19.03	128	91.7	208-230/460	9.4	1
	1200	254T	EHM2276T	2,583	L1	23.16	294	91	230/460	10.7	30
10	1800	215T	EHM3714T	1,526	LS	20.53	165	91.7	208-230/460	12	1
	1200	256T	EHM2332T	2,943	L1	23.16	290	91	230/460	14.4	30
15	1800	254T	EHM2333T	2,332	LS	23.16	250	92.4	208-230/460	18.1	1
	1200	284T	EHM4100T	3,914	L1	27.76	400	91.7	230/460	21	30
20	1800	256T	EHM2334T	2,821	LS	23.16	288	93	208-230/460	24	1
	1200	286T	EHM4102T	5,201	L1	27.76	457	91.7	208-230/460	27	
25	1800	284T	EHM4103T	3,680	LS	27.76	430	93.6	208-230/460	30	1
	1200	324T	EHM4111T	5,879	L1	30.39	465	93	230/460	32	30
30	1800	286T	EHM4104T	4,360	LS	27.76	423	93.6	208-230/460	38	1
40	1800	324T	EHM4110T	5,691	LS	30.28	612	94.1	208-230/460	48	1
50	1800	326T	EHM4115T	6,198	LS	30.28	622	94.5	230/460	58	1, 30
575 Volt											
1	1800	143T	EHM3546T-5	734	LS	12.31	37	85.5	575	1.2	1
1 1/2	1800	145T	EHM3554T-5	737	LS	13.29	44	86.5	575	1.8	1
2	1800	145T	EHM3558T-5	789	LS	13.29	47	86.5	575	2.3	1
3	1800	182T	EHM3611T-5	869	LS	16.54	74	89.5	575	3.3	1
5	1800	184T	EHM3615T-5	949	LS	18.04	92	89.5	575	5.3	1
7 1/2	1800	213T	EHM3710T-5	1,353	LS	19.03	127	91.7	575	7.6	1
10	1800	215T	EHM3714T-5	1,526	LS	20.53	165	91.7	575	9.6	1
15	1800	254T	EHM2333T-5	2,332	LS	23.16	255	92.4	575	14.5	1
20	1800	256T	EHM2334T-5	2,821	LS	23.16	286	93	575	19.2	1
25	1800	284T	EHM4103T-5	3,680	LS	27.76	397	93.6	575	23	1
30	1800	286T	EHM4104T-5	4,360	LS	27.76	395	93.6	575	29	1
40	1800	324T	EHM4110T-5	5,691	LS	30.28	575	94.1	575	39	1
50	1800	326T	EHM4115T-5	6,198	LS	30.28	622	94.5	575	50	1

(a) See notes on inside back flap.

Cast Iron Frame

Red Catalog Number indicates NEW Product.

General Information

Single Phase Motors

General Purpose Industrial Motors

Severe Duty Motors

Large AC Motors

Washdown Duty Motors

Explosion Proof Motors

Pump Motors

HVAC Motors

Farm Duty Motors

**Chiller/Cooling Tower, 5 thru 60 Hp
Three Phase,
TEAO**

NEMA 184T thru 364T

IP55

Applications: For use in the airstream on chillers and cooling towers.



Features: Class F insulated motor with 1.15 service factor that operates within class “B” temperature limits at rated horsepower. Corrosion resistant epoxy finish, double sealed bearings filled with moisture resistant grease, shaft seal/slinger, moisture resistant copper windings, double dipped and baked, stainless steel nameplates and corrosion resistant hardware. Designed for wet, high humidity environments. “ECTM” model Super-E® motors have NEMA Premium® efficiency and 3 year warranty. Direct replacement for most OEM applications.

Hp	RPM	NEMA Frame	Catalog Number	List Price	Mult. Sym.	“C” Dim.	Aprx. Wt. (lb)	Full Load Efficiency	Voltage	Full Load Amps	Airflow Ft/Min	Notes (a)
5	1800	184T	CTM3665T	1,095	L1	13.68	100	87.5	208-230/460	6.9	1200	
		184T	ECTM3665T	1,239	L1	13.68	108	89.5	208-230/460	6.6	1200	
	1200	215T	CTM3768T	1,660	L1	19.54	206	87.5	208-230/460	7.5	1200	
		215T	ECTM3768T	1,968	L1	19.54	227	90.2	230/460	7.3	1200	30
7 1/2	1800	213T	CTM3770T	1,458	L1	19.54	164	89.5	208-230/460	10.3	1500	
		213T	ECTM3770T	1,653	L1	19.54	170	91.7	208-230/460	9.5	1500	
	1200	254T	CTM2276T	2,025	L1	23.16	179	89.5	208-230/460	10.9	1500	
		254T	ECTM2276T	2,802	L1	23.00	290	91	230/460	10.7	1500	30
10	1800	215T	CTM3774T	1,861	L1	19.54	170	89.5	208-230/460	13	1500	
		215T	ECTM3774T	2,218	L1	19.54	231	91.7	208-230/460	12.2	1500	
	1200	256T	CTM2332T	2,254	L1	23.00	275	89.5	230/460	14.4	1500	30
		256T	ECTM2332T	3,201	L1	23.00	297	91	230/460	14.4	1500	30
15	1800	254T	CTM2333T	2,472	L1	22.16	236	91	208-230/460	18.5	1500	
		254T	ECTM2333T	2,944	L1	23.00	278	92.4	230/460	18.1	1500	30
	1200	284T	ECTM4100T	4,268	L1	25.63	345	91.7	230/460	20	1500	30
20	1800	256T	CTM2334T	2,756	L1	23.91	245	91	230/460	25	1500	30
		256T	ECTM2334T	3,284	L1	23.00	293	93	230/460	24	1500	30
25	1800	284T	CTM4103T	3,341	L1	25.78	343	92.4	230/460	29	1500	30
		284T	ECTM4103T	4,042	L1	25.63	378	93.6	230/460	30	1500	30
30	1800	286T	CTM4104T	4,010	L1	25.78	363	92.4	230/460	36	1500	30
		286T	ECTM4104T	4,797	L1	25.63	410	93.6	230/460	38	1500	30
40	1800	324T	CTM4110T	5,334	L1	28.38	529	93	230/460	47	2000	30
		324T	ECTM4110T	6,273	L1	28.38	553	94.1	230/460	48	1500	30
50	1800	326T	ECTM4115T	7,500	L1	28.38	598	94.5	230/460	58	2000	30
60	1800	364T	ECTM4314T	9,863	L1	29.70	835	95	230/460	68	2000	30

(a) See notes on inside back flap.

■ Cast Iron Frame

General Information

Single Phase Motors

General Purpose Industrial Motors

Severe Duty Motors

Large AC Motors

Washdown Duty Motors

Explosion Proof Motors

Pump Motors

HVAC Motors

Farm Duty Motors

**Chiller/Cooling Tower, 10 thru 60 Hp
Three Phase,
Two Speed, TEFC**

215T thru 364T

IP55



Applications: High moisture environment fan motor for mounting in the air stream of cooling towers.

Features: High efficiency severe duty multi-speed axial fan motors. Class F insulation, 1.15 service factor. Lip seal, shaft slinger, and T-drain in both ends. Electrical design is single winding variable torque. Double shielded ball bearings. Burndy type YA compression lead lugs.

Hp	RPM	NEMA Frame	Catalog Number	List Price	Mult. Sym.	"C" Dim.	Aprx. Wt. (lb)	Full Load Efficiency ^(b)	Voltage	Full Load Amps	Notes ^(a)
10/2.5	1800/900	215T	CTM1760T	3,455	L1	20.19	210	87.5	460	12	
15/3.75	1800/900	254T	CTM1761T	4,381	L1	24.78	290	90.2	460	18.1	
20/5	1800/900	256T	CTM1762T	5,293	L1	24.56	358	91	460	24.4	
25/6.25	1800/900	284T	CTM1763T	6,158	L1	27.44	442	91.7	460	31.2	
30/7.5	1800/900	286T	CTM1764T	7,069	L1	27.44	455	91.7	460	36.6	
40/10	1800/900	324T	CTM1765T	9,280	L1	30.16	619	92.4	460	48	
50/12.5	1800/900	326T	CTM1766T	10,949	L1	30.16	657	90.2	460	63	
60/15	1800/900	364T	CTM1767T	15,857	L1	33.44	836	93	460	69.6	

^(a) See notes on inside back flap.

^(b) Full load efficiency is at 1800 RPM and low speed efficiency is not published.

■ Cast Iron Frame

**Ventilation Fan, 1/2 thru 1 Hp
Three Phase, TEAO,
C-Face, Footless**

1/2 thru 1 Hp

NEMA 56C

Applications: Ventilation fan applications which require a C-Face mounted motor.



Features: Class F insulation, 1.0 service factor, easy access terminal panel for connections in front endplate, lube-for-life double sealed ball bearings, locked drive end construction for minimum shaft movement.

Hp	RPM	NEMA Frame	Catalog Number	List Price	Mult. Sym.	"C" Dim.	Aprx. Wt. (lb)	Full Load Efficiency	Voltage	Full Load Amps	Notes ^(a)
1/2	900	56C	VAOM3560	673	K	12.68	50	64	208-230/460	1.6	
1	900	56C	VAOM3527	798	K	14.93	57	74	208-230/460	3.2	

^(a) See notes on inside back flap.

Red Catalog Number indicates **NEW** Product.

**Three Phase,
TEAO,
Foot Mounted**

1/4 thru 10 Hp

NEMA 48 thru 254T

Applications: "In the Airstream" and fan-on-shaft applications.



Features: Locked drive end bearing construction, bearings sized for larger overhung loads for fan-on-shaft applications. 36" leads.

Hp	RPM	NEMA Frame	Catalog Number	List Price	Mult. Sym.	"C" Dim.	Aprx. Wt. (lb)	Full Load Efficiency	Voltage	Full Load Amps	Notes (a)
1/4	1800	48	AOM3454	337	K	9.63	18	64	230/460	0.7	2, 20, 30
	1200	48	AOM3455	529	K	9.63	19	68	230/460	0.7	2, 20, 30
1/3	1800	48	AOM3458	376	K	9.63	18	68	230/460	0.9	2, 20, 30
	1200	56	AOM3535	557	K	10.25	22	70	208-230/460	0.9	2, 20
1/2	1800	56	AOM3538	442	K	10.25	25	70	208-230/460	1.1	2, 20
	1200	56	AOM3539	600	K	10.88	24	72	208-230/460	1.2	2, 20
3/4	1800	56	AOM3542	476	K	10.25	23	72	208-230/460	1.6	2, 20
	1200	56	AOM3543	617	K	11.75	31	77	208-230/460	1.5	2, 20
1	1800	143T	AOM3546T	495	L1	11.81	33	75.5	208-230/460	1.8	2
	1200	145T	AOM3556T	626	L1	11.12	35	78.5	208-230/460	1.9	2
	900	182T	AOM3617T	1,212	L1	13.62	62	74	208-230/460	2.2	2
1 1/2	1800	145T	AOM3554T	515	L1	11.12	34	81.5	208-230/460	2.3	2, 20
	1200	182T	AOM3607T	716	L1	13.62	50	78.5	208-230/460	2.5	2, 20
2	1800	145T	AOM3558T	546	L1	12.12	38	82.5	208-230/460	3	2, 20
	1200	184T	AOM3614T	768	L1	15.00	56	81.5	208-230/460	3.4	2, 20
	900	213T	AOM3702T	1,839	L1	16.32	97	82.5	208-230/460	3.5	2
3	1800	182T	AOM3611T	640	L1	13.62	59	85.5	208-230/460	4.5	2, 20
	1200	213T	AOM3704T	962	L1	16.32	92	84	208-230/460	4.8	2, 20
	900	215T	AOM3705T	2,010	L1	17.44	113	86.5	208-230/460	5.2	2, 20
5	1800	184T	AOM3615T	740	L1	15.00	71	87.5	208-230/460	6.8	1
	1200	215T	AOM3708T	1,377	L1	16.32	115	86.5	208-230/460	7.6	2, 20
	900	254T	AOM25904T	3,194	L1	19.63	208	82.5	230/460	8.9	1, 30
7 1/2	1800	213T	AOM3710T	949	L1	16.32	106	87.5	208-230/460	10.9	1
10	1800	215T	AOM3714T	1,150	L1	17.45	126	89.5	208-230/460	13.5	2, 20

(a) See notes on inside back flap.

General Information

Single Phase Motors

General Purpose Industrial Motors

Severe Duty Motors

Large AC Motors

Washdown Duty Motors

Explosion Proof Motors

Pump Motors

HVAC Motors

Farm Duty Motors

Condenser Fan, Three Phase, ODP, “Belly Band” Round Body

1/2 thru 1-1/2 Hp

NEMA 48YZ thru 56YZ

Applications: Designed specifically for use on commercial refrigeration condenser units and air conditioning units.

Features: Corrosion resistant finish, ball bearings, dynamically balanced for quiet operation. Automatic reset thermal. Shaft 6” long - keyway and flat are 90° apart. Reconnectable leads in pulley endplate.



Hp	RPM	NEMA Frame	Catalog Number	List Price	Mult. Sym.	“C” Dim.	Aprx. Wt. (lb)	Full Load Efficiency	Voltage	Full Load Amps	Notes (a)
1/2	1200	48YZ	CFM3036A	566	K	14.29	24	72	208-230/460	1.2	2, 20
		56YZ	CFM3136A	586	K	15.30	28	70	208-230/460	1.2	
3/4	1200	48YZ	CFM3046A	614	K	16.02	33	77	208-230/460	1.5	2, 20
		56YZ	CFM3146A	633	K	15.55	33	75.5	208-230/460	1.4	
1	1200	56YZ	CFM3156A	722	K	16.55	38	75.5	208-230/460	1.8	
1 1/2	1200	56YZ	CFM3166A	785	K	17.43	48	76	208-230/460	2.5	

(a) See notes on inside back flap.

Condenser Fan, Three Phase, TEAO, “Belly Band” Round Body

1/2 Hp

NEMA 56

Applications: Condenser fan motor for use on commercial freezers in food processing plants.

Features: Totally Enclosed Air Over, low temperature grease, double sealed ball bearings, additional auxiliary 50 Hz data nameplate.



Hp	RPM	NEMA Frame	Catalog Number	List Price	Mult. Sym.	“C” Dim.	Aprx. Wt. (lb)	Full Load Efficiency	Voltage	Full Load Amps	Notes (a)
1/2	1200	56	M3539-TP	625	K	11.68	29	70	208-230/460	1.2	

(a) See notes on inside back flap.

General Information

Single Phase Motors

General Purpose Industrial Motors

Severe Duty Motors

Large AC Motors

Washdown Duty Motors

Explosion Proof Motors

Pump Motors

HVAC Motors

Farm Duty Motors

**Fan and Blower,
Single and
Three Phase, ODP,
Resilient Base**

1/4 thru 2 Hp

NEMA 48 thru 56H

Applications: Ventilators, summer cooling fans, band saws, drill presses, farm equipment, etc.

Features: Heavy-gauge steel base, ball bearings. Dynamically balanced rotors for reduced vibration and quiet operation.

Note: Non-compliant small motors may not be manufactured after March 9, 2015. Pre-existing inventory may be sold or used. Contact Baldor for new compliant motors.



Hp	RPM	NEMA Frame	Catalog Number	List Price	Mult. Sym.	"C" Dim.	Aprx. Wt. (lb)	Full Load Efficiency	Voltage	Full Load Amps	Notes (a)
Single Phase											
1/4	1800	48	RL1203A	271	K	10.34	20	55	115/230	2.5	12, 30, 96
1/3	1800	56	RL1206A	292	K	10.96	24	60	115/230	3	30, 96
1/2	1800	48	RL1209A	333	K	10.96	27	62	115/230	4.2	12, 30, 96
	1800	56	RL1304A	434	K	11.59	26	62	115/230	4.2	12, 30, 66, 96
		56	RL1323A	395	K	10.97	24	62	115/230	4	2, 66, 98
3/4	3600	56	RL1306A	399	K	11.59	26	71	115/230	5.5	12, 30, 66, 96
	1800	56H	RL1307A	532	K	12.96	34	68	115/230	5.1	12, 30, 66, 96
		56	RL1324A	428	K	12.47	31	71	115/230	5	2, 66, 98
1	3600	56H	RL1309A	459	K	11.42	36	63	115/230	7.3	30, 66, 96
	1800	56H	RL1310A	578	K	12.04	34	66	115/230	6.7	12, 30, 66, 98
1 1/2	3600	56H	RL1313A	591	K	12.42	36	68	115/230	9	30, 66, 98
	1800	56H	RL1319A	699	K	12.42	42	68	115/230	9	30, 66, 98
Single Phase, 277 Volt											
1/3	1800	56	RL1301A277	446	K	10.97	23	60	277	2.5	13, 66, 98
1/2	1800	56	RL1304A277	464	K	11.59	26	62	277	3.6	12, 66, 98
3/4	1800	56H	RL1307A277	639	K	12.47	34	66	277	4.2	12, 66, 98
1	1800	56H	RL1310A277	657	K	12.42	42	70	277	5.4	66, 98
1 1/2	1800	56H	RL1319A277	715	K	13.30	49	70	277	8.5	66, 98
Three Phase											
1/4	1800	48	RM3003	318	K	10.34	19	64	230/460	0.7	13, 30, 98
1/3	1800	48	RM3007	321	K	10.34	21	68	230/460	0.8	13, 30, 98
		56	RM3104	366	K	10.97	22	68	230/460	0.8	13, 30, 98
1/2	3600	48	RM3009	321	K	10.34	19	68	230/460	1	12, 30, 98
	1800	48	RM3010	404	K	10.34	22	74	230/460	1	12, 30, 98
		56	RM3108	416	K	10.97	23	74	230/460	1	12, 30, 98
3/4	3600	56	RM3111	422	K	10.97	22	74	230/460	1.3	12, 30, 98
	1800	56	RM3112	462	K	11.59	27	75.5	208-230/460	1.5	12, 98
1	3600	56	RM3115	446	K	10.97	23	75.5	230/460	1.8	12, 30, 98
	1800	56	RM3116	489	K	12.47	32	78.5	230/460	1.7	30, 98
1 1/2	3600	56H	RM3120	543	K	12.47	31	80	208-230/460	2.3	98
	1800	56H	RM3154	563	K	12.97	35	77	208-230/460	2.8	98
2	3600	56H	RM3155	630	K	12.47	33	80	208-230/460	2.9	98
	1800	56H	RM3157	608	K	12.42	37	80	208-230/460	3.1	98

(a) See notes on inside back flap.
Red Catalog Number indicates **NEW** Product.

Three Phase,
ODP

1/3 thru 5 Hp

NEMA 48 thru 184T



Applications: Ventilators, direct-drive or belted fan and ventilation applications.

Features: Heavy-gauge steel base, ball bearings. Dynamically balanced rotors for reduced vibration and quiet operation. Automatic thermal overloads.

Note: Non-compliant small motors may not be manufactured after March 9, 2015. Pre-existing inventory may be sold or used. Contact Baldor for new compliant motors.

Hp	RPM	NEMA Frame	Catalog Number	List Price	Mult. Sym.	"C" Dim.	Aprx. Wt. (lb)	Full Load Efficiency	Voltage	Full Load Amps	Notes (a)
Foot Mounted											
5	1800	184T	EHM3218TA	1,076	L1	16.50	84	89.5	208-230/460	6.6	11, 30
Resilient Base											
1/3	1800	48	RM3007A	383	K	10.34	21	68	230/460	0.8	12, 30, 98
1/2	1800	56H	RM3108A	487	K	10.97	25	72	230/460	1	12, 30, 36, 98
3/4	1800	56H	RM3112A	524	K	11.59	32	74	230/460	1.5	12, 30, 36, 96
1	1800	56/56H	RM3116A	546	K	12.47	32	78.5	208-230/460	1.6	36, 96
1 1/2	1800	56H	RM3154A	580	K	12.04	34	78.5	208-230/460	2.3	36, , 98
2	1800	56H	RM3157A	665	K	12.42	40	81.5	208-230/460	2.9	36, , 98
3	3600	145TY	ERM3158TA	797	L1	13.64	48	85.5	208-230/460	3.8	
5	3600	145TY	ERHM3162TA	1,138	L1	15.02	60	86.5	208-230/460	6.1	

(a) See notes on inside back flap.

Red Catalog Number indicates **NEW** Product.

(PSC) -
Direct Drive Fan,
Single Phase,
Foot Mounted,
TEAO

1/4 thru 1/2 Hp

NEMA 48Z



Applications: Exhaust fans, air handling fans, unit heaters.

Features: Double sealed ball bearings, rugged steel frame, corrosion resistant epoxy finish. 1" extended thru bolts. Permanent split capacitor. Automatic thermal overloads.

Hp	RPM	NEMA Frame	Catalog Number	List Price	Mult. Sym.	"C" Dim.	Aprx. Wt. (lb)	Full Load Efficiency	Voltage	Full Load Amps	Notes (a)
1/4	1800	48Z	PSC3413A	400	K	11.34	19	65.5	115/230	1.3	2, 29
1/3	1800	48Z	PSC3416A	444	K	11.34	21	62	115/230	1.8	2, 29
1/2	1800	48Z	PSC3524A	487	K	11.96	24	65	115/230	3	2, 29

(a) See notes on inside back flap.

General Information

Single Phase Motors

General Purpose Industrial Motors

Severe Duty Motors

Large AC Motors

Washdown Duty Motors

Explosion Proof Motors

Pump Motors

HVAC Motors

Farm Duty Motors

**Direct Drive Fan,
Single and Three
Phase, TEAO**

1/4 thru 1 Hp

NEMA 48Z thru 56YZ

Applications: Air-handling fans, confinement houses, exhaust fans, unit heaters. Designed for continuous air-over applications with moderate starting loads.

Features: 40°C ambient, 60 Hertz, aluminum endplates, automatic thermal overloads, ball bearings, and capacitor start (single phase). Termination panel with quick connection for easier installation. Resilient cushion rings on a rugged steel base. Reversible rotation. Class B insulation.

Note: Non-compliant small motors may not be manufactured after March 9, 2015. Pre-existing inventory may be sold or used. Contact Baldor for new compliant motors.



Hp	RPM	NEMA Frame	Catalog Number	List Price	Mult. Sym.	"C" Dim.	Aprx. Wt. (lb)	Voltage	Full Load Amps	S.F.	Notes (a)
Single Phase, Permanent Split Capacitor											
1/4	1800	48Z	CHC144A	347	K	11.35	21	115/230	1.4	1.00	30, 98
	1200	48Z	CHC164A	403	K	11.35	19	115/230	1.5	1.15	30, 98
1/3	1800	48Z	CHC244A	387	K	11.35	22	115/230	1.7	1.15	30, 98
	1200	48Z	CHC264A	467	K	11.35	23	115/230	1.9	1.15	30, 98
1/2	1800	56YZ	CHC345A	438	K	12.70	27	115/230	2.6	1.15	30, 98
	1200	56YZ	CHC365A	504	K	13.58	34	115/230	3.3	1.15	30, 98
3/4	1800	56YZ	CHC445A	499	K	13.58	35	115/230	3.7	1.15	98
1	1800	56	CHC545A	534	K	13.04	39	115/230	4.9	1.00	98
	1200	56	CHC565A	722	K	13.92	51	115/230	5.3	1.00	20, 98
Three Phase											
1/4	1200	48YZ	CHM164A	408	K	11.34	20	230/460	0.7	1.25	30, 96
1/3	1200	48YZ	CHM264A	435	K	11.34	19	230/460	0.9	1.25	30, 98
1/2	1800	48YZ	CHM344A	416	K	11.34	23	230/460	1.1	1.25	30, 98
		56YZ	CHM345A	419	K	12.08	24	230/460	1.1	1.25	30, 98
	1200	48YZ	CHM364A	473	K	11.96	25	230/460	1.2	1.25	30, 98
		56YZ	CHM365A	477	K	12.70	28	230/460	1.2	1.25	30, 98
3/4	1200	56YZ	CHM465A	545	K	13.58	34	208-230/460	1.5	1.15	30, 98
1	1800	56YZ	CHM545A	526	K	13.58	35	208-230/460	1.6	1.15	30, 98
	1200	56	CHM565A	620	K	13.04	40	208-230/460	1.8	1.15	30, 98

(a) See notes on inside back flap.

**Yoke/Pedestal Fan,
Single Phase, PSC,
TEAO**

1/4 thru 1/2 Hp

NEMA 48YZ thru 56YZ

Applications: Air circulation fans. Designed for continuous air-over applications with moderate starting loads.

Features: 40°C ambient, 60 Hertz, aluminum endplates, automatic thermal overloads, and ball bearings. 1.0 service factor. Extended thru bolts on 5.13" bolt circle for mounting fan shroud. Heavy gage steel yoke with 180° slot for wide angle rotation. Reversible rotation. Termination panel with quick connection for easier installation.

Note: Non-compliant small motors may not be manufactured after March 9, 2015. Pre-existing inventory may be sold or used. Contact Baldor for new compliant motors.



Hp	RPM	NEMA Frame	Catalog Number	List Price	Mult. Sym.	"C" Dim.	Aprx. Wt. (lb)	Voltage	Full Load Amps	S.F.	Notes (a)
1/4	1800	48YZ	YPC144A	297	K	10.68	20	115	2.6	1.00	98
	1200	48YZ	YPC164A	337	K	10.68	20	115	2.9	1.00	98
1/3	1800	48YZ	YPC244A	321	K	10.68	17	115	3.4	1.00	98
		56YZ	YPC245A	326	K	10.68	21	115	3.4	1.00	98
1/2	1200	48YZ	YPC264A	369	K	10.68	22	115	3.8	1.00	98
	1800	48YZ	YPC344A	369	K	10.68	23	115	5.1	1.00	98
		56YZ	YPC345A	374	K	10.68	24	115	5.1	1.00	98
	1200	48YZ	YPC364A	422	K	11.31	27	115	5.5	1.00	98

(a) See notes on inside back flap.

**Super-E®,
Three Phase, TEFC**

2 thru 100 Hp

NEMA 56 thru 405T



Applications: Wide variety of agri-duty and industrial applications.

Features: NEMA Premium® efficiency. Sealed ball bearings. High temperature-moisture resistant grease. Condensation drains. Drive end seal and v-ring slinger to prevent moisture and contaminant ingress. Gasketed conduit box. Epoxy paint protects motor from harsh environments.

Hp	RPM	NEMA Frame	Catalog Number	List Price	Mult. Sym.	"C" Dim.	Aprx. Wt. (lb)	Full Load Efficiency	Voltage	Full Load Amps	Notes (a)
2	1800	56	FDEM3558	753	L1	13.23	48	86.5	208-230/460	2.9	1
		145T	FDEM3558T	776	L1	13.31	48	86.5	208-230/460	2.9	1
3	1800	182T	FDEM3611T	860	L1	16.55	70	89.5	208-230/460	4.2	1
5	1800	184T	FDEM3615T	939	L1	18.05	84	89.5	208-230/460	6.7	1
7 1/2	1800	213T	FDEM3710T	1,351	L1	19.02	125	91.7	208-230/460	9.4	1
10	1800	215T	FDEM3714T	1,522	L1	20.52	165	91.7	208-230/460	12	1
15	1800	254T	FDEM2333T	2,346	L1	23.16	255	92.4	208-230/460	18.5	1
20	1800	256T	FDEM2334T	2,836	L1	23.16	286	93	208-230/460	24	1
25	1800	284T	FDEM4103T	3,707	L1	27.76	436	93.6	208-230/460	30	1
30	1800	286T	FDEM4104T	4,388	L1	27.76	437	93.6	208-230/460	38	1
40	1800	324T	FDEM4110T	5,773	L1	30.28	578	94.1	208-230/460	48	1
50	1800	326T	FDEM4115T	6,299	L1	30.28	700	94.5	208-230/460	58	1
60	1800	364T	FDEM4314T	9,044	L1	33.48	910	95	230/460	67.8	1
75	1800	365T	FDEM4316T	10,544	L1	33.48	977	95.4	230/460	84.9	1
100	1800	405T	FDEM4400T	13,127	L1	38.19	1,326	95.4	230/460	112	1

(a) See notes on inside back flap.

■ Cast Iron Frame

General Information

Single Phase Motors

General Purpose Industrial Motors

Severe Duty Motors

Large AC Motors

Washdown Duty Motors

Explosion Proof Motors

Pump Motors

HVAC Motors

Farm Duty Motors

Single Phase, TEFC

1/3 thru 10 Hp

NEMA 56 thru 215T

Applications: Wide variety of agri-duty and industrial applications.

Features: Sealed ball bearings, lubricated with high temperature moisture-resistant grease. Drive end seal and v-ring slinger to prevent moisture and contaminant ingress. Condensation drains, gasketed cast conduit boxes. Epoxy paint protects motor from harsh environments.



Hp	RPM	NEMA Frame	Catalog Number	List Price	Mult. Sym.	"C" Dim.	Aprx. Wt. (lb)	Full Load Efficiency	Voltage	Full Load Amps	Notes (a)
Foot Mounted											
1/3	1800	56	FDL3501M	431	K	11.35	23	60	115/230	3	13, 30
1/2	1800	56	FDL3504M	503	K	11.97	28	68	115/230	3.7	12, 30
3/4	1800	56	FDL3507M	591	K	13.35	37	74	115/230	4.4	12
1	1800	56H	FDL3510M	669	K	12.93	41	67	115/230	6.5	30
		143T	FDL3510TM	669	L1	13.29	40	67	115/230	6.5	30
1 1/2	1800	56H	FDL3514M	753	K	13.91	49	80	115/230	6.2	2
		145T	FDL3514TM	755	L1	14.17	51	80	115/208-230	6.2	2
C-Face, Foot Mounted											
1/3	1800	56C	CFDL3501M	578	K	11.35	24	60	115/230	3	13, 30
1/2	1800	56C	CFDL3504M	661	K	11.97	28	68	115/230	3.7	12, 30
3/4	1800	56C	CFDL3507M	768	K	13.35	39	74	115/230	4.4	12
1	1800	56CH	CFDL3510M	867	K	13.25	47	67	115/230	6.5	30
1 1/2	1800	56CH	CFDL3514M	975	K	14.12	51	80	115/208-230	6.2	2
2	1800	56CHZ	CFDL3516TM	1,236	K	14.13	53	82.5	230	7.9	1
C-Face, Footless											
1/3	1800	56C	VFDL3501M	557	K	11.35	23	60	115/230	3	13, 30
1/2	1800	56C	VFDL3504M	638	K	11.97	27	68	115/230	3.7	12, 30
3/4	1800	56C	VFDL3507M	742	K	13.35	44	74	115/230	4.4	12
1	1800	56C	VFDL3510M	840	K	13.25	40	67	115/230	6.5	30
1 1/2	1800	56C	VFDL3514M	951	K	14.12	48	80	115/208-230	6.2	2
Foot Mounted, Extra High Torque											
2	1800	56HZ	FDL3516TM	1,065	K	14.19	51	82.5	230	7.9	1
		182T	FDL3611TM	1,201	L1	16.55	77	75	115/230	14	2
		184	FDL3611M	1,233	L1	15.67	76	74	115/230	12.4	2
3	1800	184	FDL3610M	1,463	L1	17.18	90	80	230	15.5	2, 20
		184T	FDL3610TM	1,428	L1	18.05	90	80	230	15.5	2, 20
		184T	FDL3619TM	1,150	L1	16.54	82	81.5	230	13.2	2, 20
5	1800	184T	FDL3612TM	1,499	L1	18.05	100	80	230	23	2, 20
		215	FDL3731M	1,841	L1	18.65	126	84	230	20.5	2, 20
7 1/2	1800	213	FDL3732M	2,120	L1	18.65	147	84	230	30	2, 20
		213T	FDL3733TM	1,951	L1	19.02	146	84	230	30	2, 20
10	1800	215T	FDL3712TM	2,144	L1	20.77	160	84	230	40	2, 20, 89
		215T	FDL3737TM	2,282	L1	21.27	169	86.5	230	39	2, 20, 89
C-Face, Footless, Extra High Torque											
2	1800	145TC	VFDL3516TM	1,236	L1	14.17	53	82.5	230	7.9	1, 20
3	1800	184TC	VFDL3610TM	1,674	L1	18.05	98	80	230	15.5	2, 20
5	1800	184TC	VFDL3612TM	2,044	L1	18.33	101	80	230	23	2, 20

(a) See notes on inside back flap.

General Information

Single Phase Motors

General Purpose Industrial Motors

Severe Duty Motors

Large AC Motors

Washdown Duty Motors

Explosion Proof Motors

Pump Motors

HVAC Motors

Farm Duty Motors

**Grain Dryer/
Centrifugal Fan,
Single and
Three Phase,
TEFC and ODP**

5 thru 50 Hp

NEMA 184TZ thru 326TZ

Applications: High pressure grain drying and storage for commercial and farm applications.

Features: Shaft length is 1" longer than NEMA standard. Screens on ODP to protect against entry of trash, snakes and rodents. Three phase ratings meet EPA efficiencies. Sealed bearings, drive end seal and v-ring slinger to prevent moisture and contaminant ingress on TEFC motors.



Hp	RPM	NEMA Frame	Catalog Number	List Price	Mult. Sym.	"C" Dim.	Aprx. Wt. (lb)	Full Load Efficiency	Voltage	Full Load Amps	Notes (a)
Single Phase, Open Drip Proof											
5	1800	184TZ	GDL1605T	1,623	L1	19.06	97	80	230	22.5	2, 20
7 1/2	1800	215TZ	GDL1607T	2,135	L1	22.57	142	82.5	230	32	1, 20
10	1800	215TZ	GDL1610T	2,470	L1	22.85	160	84	230	40	2, 20
16	1800	256TZ	GDL1615T	3,675	L1	24.19	271	86.5	208-230	62	2, 20
Three Phase, Open Drip Proof											
5	1800	184TZ	GDM3218T	898	L1	16.00	68	87.5	208-230/460	7.2	
7 1/2	1800	213TZ	GDM3311T	1,274	L1	18.00	92	88.5	208-230/460	9.9	
10	1800	215TZ	GDM3313T	1,544	L1	17.32	116	89.5	208-230/460	13.4	
15	1800	254TZ	GDM2513T	1,900	L1	21.00	156	91	208-230/460	19	1
20	1800	254TZ	GDM2515T	2,502	L1	23.25	187	91.7	230/460	24	30
25	1800	284TZ	GDM2531T	3,074	L1	24.44	245	91.7	230/460	31	30
30	1800	284TZ	GDM2535T	3,575	L1	25.94	281	92.4	230/460	36	30
Three Phase, Totally Enclosed Fan Cooled											
3	1800	182TZ	GDM3611T	920	L1	16.14	60	85.5	208-230/460	4.1	1
5	1800	184TZ	GDM3615T	1,082	L1	17.55	80	87.5	208-230/460	6.8	1
7 1/2	1800	213TZ	GDM3710T	1,356	L1	18.90	117	89.5	208-230/460	10.1	1
10	1800	215TZ	GDM3714T	2,164	L1	20.03	131	89.5	208-230/460	13.5	1
15	1800	254TZ	GDM2333T	2,868	L1	22.07	231	89.5	208-230/460	18.9	1
20	1800	256TZ	GDM2334T	3,067	L1	23.83	245	91	230/460	25	1, 30
25	1800	284TZ	GDM4103T	4,358	L1	26.93	345	92.4	230/460	29	1, 30
30	1800	286TZ	GDM4104T	5,137	L1	26.93	364	92.4	230/460	36	1, 30
40	1800	324TZ	GDM4110T	6,855	L1	31.39	497	93	230/460	47	1, 30
50	1800	326TZ	GDM4115T	7,096	L1	31.28	552	91	230/460	60	1, 30

(a) See notes on inside back flap.

■ Cast Iron Frame

General Information

Single Phase Motors

General Purpose Industrial Motors

Severe Duty Motors

Large AC Motors

Washdown Duty Motors

Explosion Proof Motors

Pump Motors

HVAC Motors

Farm Duty Motors

Grain Dryer/Vane Axial Fan, Single and Three Phase, TEAO and OPAO

1-1/2 thru 15 Hp

NEMA 145TZ thru 215Z

Applications: Vane axial fan crop dryers.

Features: Shaft 3/4" longer than NEMA standard, shaft keyed, drilled and tapped with internal 1/4-20 tap 1" deep. Thermostats. Epoxy paint. TEAO motors have sealed bearings, drive end seal and v-ring slinger to prevent moisture and contaminant ingress.



Hp	RPM	NEMA Frame	Catalog Number	List Price	Mult. Sym.	"C" Dim.	Aprx. Wt. (lb)	Full Load Efficiency	Voltage	Full Load Amps	Notes (a)
Single Phase, Totally Enclosed Air Over											
1.5/3	3600	145TZ	UCLE153	1,078	L1	14.25	52	85.5	230	12.5	1, 30
3/4.5	3600	145TZ	UCLE3145	1,104	L1	15.62	61	82.5	230	12.5	2, 20
5/7.5	3600	182TZ	UCLE570	1,344	L1	16.88	93	84	230	20.5	2, 8
7.5/10	3600	182TZ	UCLE7510	1,453	L1	16.88	95	85.5	230	38	2, 20, 30
10/15	3600	215Z	UCLE1015	2,252	L1	18.56	167	89	230	46	2, 20
Single Phase, Open Air Over											
1.5/3	3600	145TZ	UCL153	980	L1	14.25	52	77	230	13.6	2, 20
3/4.5	3600	145TZ	UCL3145	1,043	L1	15.62	59	77.8	230	14.3	2, 20
		182Z	UCL345	1,086	L1	14.88	72	74	230	22	2, 20
5/7.5	3600	182TZ	UCL570	1,283	L1	16.88	91	80	230	35	2, 20
7.5/10	3600	182TZ	UCL710	1,376	L1	16.88	89	85	230	31	2, 20
7.5/10.5	3600	215Z	UCL7510	1,742	L1	17.44	107	81	230	37	2, 20
10/15	3600	215Z	UCL1015	2,212	L1	17.81	137	84	230	44	2, 20
Three Phase, Totally Enclosed Air Over											
1.5/3	3600	145TZ	UCME153	758	L1	13.37	39	80	208-230/460	4.1	2, 20
3/4.5	3600	143TZ	UCME3145	801	L1	13.37	46	84.5	208-230/460	6	2, 8
		182Z	UCME345	856	L1	14.88	67	85.5	208-230/460	6	2, 20
5/7.5	3600	184TZ	UCME570	1,006	L1	15.38	69	84	230/460	9	2, 20, 30
7.5/10	3600	184TZ	UCME7510	1,180	L1	16.88	85	86.5	230/460	11.5	2, 20, 30
7.5/9.2	3600	184TZ	UCME759	1,180	L1	16.88	84	89.5	208-230/460	8.5	2, 20
10/14	3600	215Z	UCME1014	1,507	L1	16.69	124	87.5	208-230/460	16.5	2, 20
Three Phase, Open Air Over											
1.5/3	3600	145TZ	UCM153	664	L1	13.37	43	80	208-230/460	4.1	2, 20
3/4.5	3600	143TZ	UCM3145	743	L1	13.37	47	81.5	208-230/460	6	2, 20
		182Z	UCM345	773	L1	14.25	54	84	208-230/460	5.8	2, 20
5/7.5	3600	184TZ	UCM575	949	L1	15.38	66	84	230/460	9.5	2, 20
7.5/10	3600	184TZ	UCM713	1,135	L1	16.88	89	84	208-230/460	12	2
10/15	3600	215Z	UCM1014	1,459	L1	16.69	102	85.5	208-230/460	18	2, 20

(a) See notes on inside back flap.

General Information

Single Phase Motors

General Purpose Industrial Motors

Severe Duty Motors

Large AC Motors

Washdown Duty Motors

Explosion Proof Motors

Pump Motors

HVAC Motors

Farm Duty Motors

**Universal Crop Dryer, 3 thru 15 Hp
Single Phase,
PSC (switchless),
TEAO and OPAO**

NEMA 184Z thru 215Z

Applications: Specifically engineered for use on vane axial fan crop dryers.



Features: TEAO design prevents entrance of rodents, insects and other foreign matter. High full load efficiency for reduced operating cost. No mechanical switch to wear. No noise and vibration from regeneration. Less sensitive to voltage variations. Soft start. Thermostats. Epoxy paint. 1.00 Service Factor. Class F insulation.

Hp	RPM	NEMA Frame	Catalog Number	List Price	Mult. Sym.	"C" Dim.	Aprx. Wt. (lb)	Full Load Efficiency	Voltage	Full Load Amps	Notes (a)
Totally Enclosed Air Over											
3/4.5	3600	184Z	UCCE345	1,099	L1	14.88	75	82	230	13	
5/7.5	3600	184TZ	UCCE570	1,266	L1	16.88	86	84	230	19	
7.5/9.2	3600	184TZ	UCCE759	1,394	L1	16.88	91	85.5	230	29	
7.5/10.5	3600	215Z	UCCE7510	1,755	L1	17.44	108	84	230	30	
13	3600	215Z	UCCE130	2,216	L1	18.57	137	85	230	50	
Open Air Over											
5/7.5	3600	184TZ	UCC5700	1,150	L1	15.38	74	79	230	19.5	
7.5/10	3600	184TZ	UCC7100	1,264	L1	16.88	78	85.5	230	28	
10/15	3600	215Z	UCC10150	2,389	L1	18.57	127	83	230	41	

(a) See notes on inside back flap.

Irrigation Tower Drive, Three Phase, TENV

1 Hp

NEMA 56

Applications: Irrigation tower drive motors.



Features: Sealed fit at endplates. Sheds water. Conduit box cast into front endplate. Epoxy paint. High overload capabilities. The "P" indicates less pulley endplate for integral mounting; can be field modified for older designs with internal thru bolts. Operable at 50/60 Hz. 1.00 service factor.

Hp	RPM	NEMA Frame	Catalog Number	List Price	Mult. Sym.	"C" Dim.	Aprx. Wt. (lb)	Full Load Efficiency	Voltage	Full Load Amps	Notes (a)
No Endplate, Footless											
1	1800	56YZ	IM3540A-P	707	K	11.02	43	80	460	1.7	19, 60
C-Face, Footless											
1	1800	56C	IM3540A	729	K	13.27	42	80	460	1.7	19, 60

(a) See notes on inside back flap.
Gearboxes not included in price.

General Information

Single Phase Motors

General Purpose Industrial Motors

Severe Duty Motors

Large AC Motors

Washdown Duty Motors

Explosion Proof Motors

Pump Motors

HVAC Motors

Farm Duty Motors

BALDOR • RELIANCE

**Auger Drive,
Single Phase,
TEFC, Flange Mount,
Capacitor Start**

1/3 thru 1-1/2 Hp

NEMA 56N Flange

Applications: Poultry feed auger drive systems.



Features: Mechanical protection of centrifugal switch to prevent damage to motor in case of overspeed. Manual reset thermal protection mounted in oversize conduit box. Farm Duty epoxy paint and thermal cover protect motor from harsh environments. Extended shaft (fan end) with wrench flats for manual jogging of auger. NEMA 56N flange connects to the drive/gear box assembly. Gear reducer is assembled to motor. High efficiency design. Moisture resistant 200°C copper windings. Stator and steel frame dipped and baked in 100% solid polyester non-hygroscopic varnish. Heavy duty Type 1 capacitor.

Hp	RPM	NEMA Frame	Catalog Number	List Price	Mult. Sym.	"C" Dim.	Aprx. Wt. (lb)	Full Load Efficiency	Voltage	Full Load Amps	Notes (a)
1/3	1800	48YZ	ANFL3501M	522	K	12.44	24	60	115/230	3	12, 30
1/2	1800	48YZ	ANFL3504M	586	K	12.44	28	68	115/230	3.7	12, 30
3/4	1800	48YZ	ANFL3507M	683	K	13.32	34	74	115/230	4.1	12, 30
1	1800	56YZ	ANFL3510M	843	K	13.55	41	67	115/230	6.5	30
1 1/2	1800	56YZ	ANFL3514M	1,252	K	14.43	49	75.5	115/230	9	2, 30

(a) See notes on inside back flap.

**Grain Stirring,
Single Phase,
TEFC, Foot Mounted**

1-1/2 Hp

NEMA 56Z

Applications: Inside bin grain stirring systems.



Features: Corrosion resistant epoxy finish, slotted fan cover designed to prevent clogging. Manual thermal with cover. 1.00 service factor, Class F insulation.

Hp	RPM	NEMA Frame	Catalog Number	List Price	Mult. Sym.	"C" Dim.	Aprx. Wt. (lb)	Full Load Efficiency	Voltage	Full Load Amps	Notes (a)
1 1/2	1800	56Z	GSL3509M	776	K	12.29	41	80	208-230	6.4	

(a) See notes on inside back flap.

General Information

Single Phase Motors

General Purpose Industrial Motors

Severe Duty Motors

Large AC Motors

Washdown Duty Motors

Explosion Proof Motors

Pump Motors

HVAC Motors

Farm Duty Motors

**Instant Reversing,
Single Phase,
TEFC, Foot Mounted**

3/4 thru 2 Hp

NEMA 56 thru 184

Applications: Farm applications such as barn cleaners, bulk feeders and industrial applications.

Features: Epoxy paint protects motor from harsh environments. Manual thermal with cover mounted in conduit box for protection, ball bearings, condensation drains, heavy-gauge steel construction.



Hp	RPM	NEMA Frame	Catalog Number	List Price	Mult. Sym.	"C" Dim.	Aprx. Wt. (lb)	Full Load Efficiency	Voltage	Full Load Amps	Notes (a)
3/4	1800	56Y	IR3507M	644	K	13.25	40	70	115/208-230	4.6	2
1	1800	56	IR3510M	698	K	13.25	40	65	230	6.2	1
1 1/2	1800	184	IR3603M	1,391	L1	15.68	68	69	230	10	
2	1800	184	IR3605M	1,448	L1	15.68	76	71	230	11.5	

(a) See notes on inside back flap.

**Aeration Fan,
Single and
Three Phase, TEAO,
Foot Mounted**

3/4 thru 3 Hp

NEMA 56 thru 145TZ

Applications: Aeration fans for farm grain storage, exhaust fans, air handling systems, etc.

Features: Lubrication fittings on NEMA T frames for easy on-site maintenance, ball bearings, corrosion protected with epoxy finish. Normally-closed thermostats on three phase motors.



Hp	RPM	NEMA Frame	Catalog Number	List Price	Mult. Sym.	"C" Dim.	Aprx. Wt. (lb)	Full Load Efficiency	Voltage	Full Load Amps	Notes (a)
Single Phase											
3/4	3600	56Z	AFL3520A	399	K	11.59	29	71	115/230	5.5	2
1	3600	56	AFL3521A	470	K	12.68	39	66	115/230	6	2
1 1/2	3600	56	AFL3525A	608	K	12.68	42	70	115/230	8.3	2, 30
		143TZ	AFL3522A	651	L1	12.74	43	70	115/230	8.3	2, 30
2	3600	143TZ	AFL3523A	795	L1	13.61	51	74	115/230	11.5	2
3	3600	145TZ	AFL3524A	829	L1	13.61	52	78	230	15	2
Three Phase											
3/4	3600	56Z	AFM3528	404	K	10.97	24	74	230/460	1.3	30
1	3600	56Z	AFM3529	439	K	10.97	22	75.5	230/460	1.8	30
1 1/2	3600	143TZ	AFM3530	507	L1	12.45	30	80	208-230/460	2.3	
3	3600	145T	AFM3532	672	L1	12.74	45	82.5	208-230/460	3.8	2

(a) See notes on inside back flap.

General Information

Single Phase Motors

General Purpose Industrial Motors

Severe Duty Motors

Large AC Motors

Washdown Duty Motors

Explosion Proof Motors

Pump Motors

HVAC Motors

Farm Duty Motors

BALDOR • RELIANCE

**(PSC) -
Direct Drive Fan,
Single Phase, TEAO**

1/4 thru 3/4 Hp

NEMA 48Z thru 56Z

Applications: Confinement houses, exhaust fans, air handling fans, unit heaters.

Features: Double sealed ball bearings, rugged steel frame, corrosion resistant epoxy finish. 1" extended thru bolts. Permanent split capacitor.



Hp	RPM	NEMA Frame	Catalog Number	List Price	Mult. Sym.	"C" Dim.	Aprx. Wt. (lb)	Full Load Efficiency	Voltage	Full Load Amps	Notes (a)
Single Phase, Permanent Split Capacitor											
1/4	1800	48Z	CHC3413A	399	K	11.35	22	54	115/230	2.4	2, 29
	1200	48Z	CHC3414A	471	K	11.97	24	51	115/230	2.2	2, 29
1/3	1800	48Z	CHC3416A	434	K	11.97	25	56	115/230	2.8	2, 29
	1200	48Z	CHC3417A	543	K	11.97	26	54	115/230	2.8	2, 29
1/2	1800	56Z	CHC3524A	487	K	13.59	28	67	115/230	3.4	2, 74
		56Z	CHL3523A	487	K	12.72	28	68	115/230	3.7	3, 12, 30, 74
	1200	56Z	CHC3525A	623	K	13.54	40	70	115/230	2.6	2, 74
3/4	900	56Z	CHC3526A	771	K	14.42	50	50	115/230	4.6	2, 74
		1200	56Z	CHC3528A	738	K	14.42	50	71	115/230	4.5

(a) See notes on inside back flap.

**Dairy/Vacuum Pump,
Single Phase,
TEFC, Foot Mounted**

7 1/2 thru 10 Hp

NEMA 215T

Applications: Vacuum pumps used in the dairy industry.

Features: Manual thermal overload protected, heavy-gauge steel frame. 1.15 Service Factor. 50°C ambient-continuous duty. Farm duty epoxy paint.



Hp	RPM	NEMA Frame	Catalog Number	List Price	Mult. Sym.	"C" Dim.	Aprx. Wt. (lb)	Full Load Efficiency	Voltage	Full Load Amps	Notes (a)
7 1/2	1800	215T	DEL3733TM	2,956	L1	20.77	162	85	230	28	1
10	1800	215T	DEL3737TM	3,610	L1	21.27	160	86.5	230	39	8, 89

(a) See notes on inside back flap.

General Information

Single Phase Motors

General Purpose Industrial Motors

Severe Duty Motors

Large AC Motors

Washdown Duty Motors

Explosion Proof Motors

Pump Motors

HVAC Motors

Farm Duty Motors

**Metering Pump,
Three Phase, TEFC,
Foot Mounted**

1/3 Hp

NEMA 48



Applications: Metering pump systems primarily used to inject chemicals into irrigation distribution systems.

Features: TEFC industrial quality. Designed with conduit box at 12 o'clock position to facilitate mounting on existing chemical injection pumps. Epoxy paint. Designed for use at 230/460 volts 60hz or 190/380 volts 50hz.

Hp	RPM	NEMA Frame	Catalog Number	List Price	Mult. Sym.	"C" Dim.	Aprx. Wt. (lb)	Full Load Efficiency	Voltage	Full Load Amps	Notes (a)
1/3	1800	48	MPM3458	391	K	10.72	20		230/460	0.8	2

(a) See notes on inside back flap.

**Incubator/Hatchery
Vent Fan,
Single Phase,
TEAO**

1/3 thru 1/2 Hp

NEMA 48Z



Applications: Direct drive hatchery and incubator fans.

Features: 40°C ambient, 60 Hertz, aluminum endplates, automatic thermal overloads, and ball bearings. 1.0 service factor. Extended thru bolts. Pilot circuit.

Hp	RPM	NEMA Frame	Catalog Number	List Price	Mult. Sym.	"C" Dim.	Aprx. Wt. (lb)	Voltage	Full Load Amps	S.F.	Notes (a)
1/3	1800	48Z	HIC264A	360	K	10.09	20	115/230	1.9	1.00	
		48Z	HIC274A	360	K	10.09	20	115/230	2.2	1.00	

(a) See notes on inside back flap.

General Information

Single Phase Motors

General Purpose Industrial Motors

Severe Duty Motors

Large AC Motors

Washdown Duty Motors

Explosion Proof Motors

Pump Motors

HVAC Motors

Farm Duty Motors

**Three Phase,
Two Speed, TEFC,
Foot Mounted**

1/2 thru 25 Hp

NEMA 56 thru 324T

Applications: Fans, blowers, machine tools, hoists, conveyors, pumps.



Features: Designed for use in applications in which multiple speeds are required. Heavy duty steel or cast-iron frames, ball bearing, dynamically balanced rotors.

Hp	RPM	NEMA Frame	Catalog Number	List Price	Mult. Sym.	"C" Dim.	Aprx. Wt. (lb)	Voltage	Full Load Amps	Notes (a)
Constant Torque, One Winding, Low Voltage										
1/5	1800/900	143T	M1504T	1,132	L1	13.31	39	208-230	2.8	71
1.5/7.5	1800/900	145T	M1505T	1,196	L1	14.19	47	230	4.1	8, 71
2/1	1800/900	184T	M1506T	1,452	L1	16.54	64	208-230	5.5	71
3/1.5	1800/900	184T	M1507T	1,644	L1	18.04	84	230	8.3	1, 71
5/2.5	1800/900	215T	M1508T	2,148	L1	19.01	134	208-230	13	71
7.5/3.8	1800/900	215T	M1509T	2,797	L1	20.51	185	230	18.9	1, 71
Constant Torque, One Winding, High Voltage										
1/5	1800/900	143T	M1704T	1,132	L1	14.19	45	460	1.4	71
1.5/7.5	1800/900	145T	M1705T	1,196	L1	14.19	47	460	2.1	8, 71
2/1	1800/900	184T	M1706T	1,452	L1	16.54	65	460	2.8	71
3/1.5	1800/900	184T	M1707T	1,644	L1	18.04	84	460	4.2	1, 71
5/2.5	1800/900	215T	M1708T	2,148	L1	19.01	132	460	6.5	71
7.5/3.8	1800/900	215T	M1709T	2,797	L1	20.51	181	460	9.4	1, 71
10/5	1800/900	254T	M1710T	4,308	L1	23.28	263	460	13	1, 71
15/7.5	1800/900	256T	M1711T	4,988	L1	23.28	267	460	19.2	1, 71
20/10	1800/900	284T	M1712T	6,338	L1	27.76	378	460	25	1, 71
25/13	1800/900	286T	M1713T	7,694	L1	27.76	397	460	29	1, 71
Variable Torque, One Winding, Low Voltage										
1/25	1800/900	143T	M1554T	798	L1	12.31	33	208-230	3	71
1.5/38	1800/900	145T	M1555T	829	L1	13.31	41	208-230	4.8	71
2/5	1800/900	145T	M1556T	963	L1	13.31	41	208-230	6.1	71
3/7.5	1800/900	184T	M1557T	1,036	L1	16.54	65	208-230	8	1, 71
5/1.3	1800/900	184T	M1558T	1,318	L1	18.04	83	208-230	13.5	71
Variable Torque, One Winding, High Voltage										
1/25	1800/900	143T	M1754T	798	L1	12.31	33	460	1.7	1, 71
1.5/38	1800/900	145T	M1755T	829	L1	13.31	38	460	2.3	71
2/5	1800/900	145T	M1756T	963	L1	14.19	45	460	3	71
3/7.5	1800/900	184T	M1757T	1,036	L1	16.54	63	460	4	1, 71
5/1.3	1800/900	184T	M1758T	1,318	L1	18.04	84	460	6.7	1, 71
7.5/1.9	1800/900	215T	M1759T	1,857	L1	19.01	136	460	9.3	1, 71
10/2.5	1800/900	215T	M1760T	2,187	L1	20.52	158	460	12.5	8, 71
15/3.75	1800/900	254T	M1761T	3,023	L1	23.28	247	460	19.6	1, 71
20/5	1800/900	284T	M1762T	3,574	L1	27.76	344	460	26	1, 71
25/6.3	1800/900	286T	M1763T	4,147	L1	27.76	384	460	32	1, 71
Variable Torque, Two Windings, Low Voltage										
.75/33	1800/1200	56	M1519	882	K	13.23	37	230	2.8	71
1/44	1800/1200	145T	M1520T	921	L1	13.31	42	208-230	3.1	71
1.5/67	1800/1200	182T	M1521T	1,138	L1	15.17	58	208-230	4.4	71
2/89	1800/1200	182T	M1522T	1,305	L1	16.54	66	208-230	5.8	71
3/1.3	1800/1200	184T	M1523T	1,527	L1	16.54	73	208-230	8	1, 71
5/2.2	1800/1200	215T	M1524T	2,392	L1	19.01	126	230	12.8	1, 71

(a) See notes on inside back flap.

■ Cast Iron Frame

Three Phase, Two Speed, TEFC, Foot Mounted

Hp	RPM	NEMA Frame	Catalog Number	List Price	Mult. Sym.	"C" Dim.	Aprx. Wt. (lb)	Voltage	Full Load Amps	Notes (a)
Variable Torque, Two Windings, High Voltage										
.5/.22	1800/1200	56	M1718	822	K	12.23	29	460	1.1	71
.75/.33	1800/1200	56	M1719	909	K	12.23	33	460	1.4	71
1/.44	1800/1200	145T	M1720T	921	L1	13.31	35	460	1.6	71
1.5/.67	1800/1200	182T	M1721T	1,138	L1	14.26	50	460	2.2	71
2/.89	1800/1200	182T	M1722T	1,305	L1	16.52	58	460	2.8	71
3/1.3	1800/1200	184T	M1723T	1,527	L1	16.54	73	460	4	1, 71
5/2.2	1800/1200	215T	M1724T	2,392	L1	19.01	128	460	6.4	1, 71
7.5/3.3	1800/1200	254T	M1725T	3,092	L1	23.28	230	460	10.3	1, 71
10/4.4	1800/1200	254T	M1726T	3,559	L1	21.07	225	460	12.5	1, 71
15/6.7	1800/1200	284T	M1727T	4,223	L1	27.76	355	460	19.3	1, 71
20/8.9	1800/1200	286T	M1728T	5,726	L1	27.76	390	460	27	1, 71
25/11	1800/1200	324T	M1729T	6,032	L1	30.28	512	460	30	1, 71

(a) See notes on inside back flap.

■ Cast Iron Frame

Definite Purpose Motors

Unit Handling Motors

Brake Motors

200 & 575 Volt Motors

IEC Frame Motors

50 Hertz Motors

Inverter/Vector Motors & Controls

DC Motors and Controls

Soft Starters

Gearmotors and Gear Products

**Three Phase,
Two Speed, ODP,
Foot Mounted**

1/2 thru 25 Hp

NEMA 56 thru 286T

Applications: Fans, blowers, and pumps.



Features: Designed for use in applications in which multiple speeds are required. Heavy duty steel or cast-iron frames, ball bearing, dynamically balanced rotors.

Hp	RPM	NEMA Frame	Catalog Number	List Price	Mult. Sym.	"C" Dim.	Aprx. Wt. (lb)	Voltage	Full Load Amps	Notes (a)
Variable Torque, One Winding, Low Voltage										
1/25	1800/900	143T	M1004T	760	L1	11.12	33	208-230	3	
1.5/38	1800/900	145T	M1005T	790	L1	12.13	38	208-230	4.4	
2/5	1800/900	145T	M1006T	912	L1	12.13	41	230	6.1	
3/7.5	1800/900	184T	M1007T	980	L1	13.62	56	208-230	8	
5/1.3	1800/900	184T	M1008T	1,180	L1	15.00	71	230	13.2	1
7.5/1.9	1800/900	215T	M1009T	1,685	L1	16.32	113	230	20	
10/2.5	1800/900	215T	M1010T	1,910	L1	17.45	133	208-230	25	1
Variable Torque, One Winding, High Voltage										
1/25	1800/900	143T	M1204T	760	L1	11.12	33	460	1.5	
1.5/38	1800/900	145T	M1205T	790	L1	12.13	37	460	2.2	
2/5	1800/900	145T	M1206T	912	L1	12.13	41	460	3.1	
3/7.5	1800/900	184T	M1207T	980	L1	13.62	56	460	4	
5/1.3	1800/900	184T	M1208T	1,180	L1	15.00	72	460	6.6	1
7.5/1.9	1800/900	215T	M1209T	1,685	L1	16.32	112	460	10	
10/2.5	1800/900	215T	M1210T	1,910	L1	17.45	132	460	13	1
15/3.8	1800/900	254T	M1211T	2,683	L1	21.69	206	460	20	1
20/5	1800/900	256T	M1212T	3,288	L1	21.69	204	460	26	1
25/6.3	1800/900	284T	M1213T	3,859	L1	23.81	300	460	34	
Variable Torque, Two Windings, Low Voltage										
.75/33	1800/1200	56	M1019	816	K	12.07	36	230	2.8	
1/44	1800/1200	145T	M1020T	879	L1	12.13	41	230	3	
1.5/67	1800/1200	182T	M1021T	1,065	L1	13.62	55	208-230	4.4	
2/89	1800/1200	182T	M1022T	1,215	L1	15.00	64	230	5.8	
3/1.3	1800/1200	184T	M1023T	1,415	L1	15.00	72	230	8	
5/2.2	1800/1200	215T	M1024T	2,178	L1	16.32	113	230	12.8	1
Variable Torque, Two Windings, High Voltage										
.5/22	1800/1200	56	M1218	777	K	11.07	33	460	0.9	
.75/33	1800/1200	56	M1219	816	K	12.07	36	460	1.4	
1/44	1800/1200	145T	M1220T	879	L1	12.13	41	460	1.9	
1.5/67	1800/1200	182T	M1221T	1,065	L1	13.62	55	460	2.2	
2/89	1800/1200	182T	M1222T	1,215	L1	15.00	65	460	3	
3/1.3	1800/1200	184T	M1223T	1,415	L1	15.00	72	460	4	
5/2.2	1800/1200	215T	M1224T	2,178	L1	16.32	113	460	6.4	1
7.5/3.3	1800/1200	256T	M1225T	2,896	L1	22.25	148	460	9.9	
10/4.4	1800/1200	256T	M1226T	3,271	L1	22.25	172	460	12.7	1
15/6.7	1800/1200	284T	M1227T	3,969	L1	23.81	288	460	18.1	
20/8.9	1800/1200	286T	M1228T	5,323	L1	23.81	309	460	24	

(a) See notes on inside back flap.

Pressure Washer,
Single Phase,
TEFC and ODP

1-1/2 thru 5 Hp

NEMA 56 thru 184TC

Applications: Pressure washers, steam cleaners, portable and self contained stationary system for direct drive mount and doubled mount designs.

Features: Ball bearing design. 1 1/2 horsepower ratings are rated at 14 amps or less on 115 volts. Manual thermal overload located in the conduit box. UL and CSA recognized component approval. Capacitor start, capacitor run (two value capacitor).

Note: Non-compliant small motors may not be manufactured after March 9, 2015. Pre-existing inventory may be sold or used. Contact Baldor for new compliant motors.



Hp	RPM	NEMA Frame	Catalog Number	List Price	Mult. Sym.	"C" Dim.	Aprx. Wt. (lb)	Full Load Efficiency	Voltage	Full Load Amps	Notes (a)
Totally Enclosed Fan Cooled											
1 1/2	3600	56	PL3513M	634	K	13.25	38	75.5	115/230	6.6	
	1800	56	PL3514M	842	K	14.12	51	82.5	115/230	6	
2	3600	56	PL3515M	767	K	13.25	42	77	115/230	8.8	1
	1800	56HZ	L3516TM	1,043	K	13.31	46	82.5	208-230	8.1	1, 57
3	3600	56	PL3519M	841	K	14.12	50	85.5	230	12.5	1, 30
	1800	184T	L3609TM	1,152	L1	16.54	79	78	115/230	14.5	2, 20
5	3600	184T	L3608TM	1,326	L1	18.05	89	83	230	19.5	2, 20
	1800	184T	L3612TM	1,339	L1	18.05	100	80	230	23	2, 20
Totally Enclosed Fan Cooled, C-Face											
1 1/2	3600	56C	PCL3513M	679	K	13.25	38	75.5	115/230	6.6	
	1800	56C	PCL3514M	885	K	14.12	54	82.5	115/230	6	
2	3600	56C	PL3515M	805	K	13.24	43	77	115/230	8.8	1
	1800	145TC	CL3516TM	1,052	L1	14.16	53	82.5	208-230	7.9	1
3	3600	56C	PCL3519M	882	K	14.12	52	85.5	230	12.5	1, 30
	1800	184TC	CL3619TM	1,368	L1	16.54	81	81.5	230	13.2	2, 20
5	3600	184TC	CL3608TM	1,482	L1	18.05	92	83	230	19.5	2, 20
	1800	184TC	CL3612TM	1,434	L1	18.05	102	80	230	23	2, 20
Open Drip Proof											
1 1/2	3600	56/56H	PL1313M	552	K	11.75	37	75.5	115/230	6.6	36, 98
	1800	56	PL1319M	732	K	12.06	43	74	115/230	7	98
2	3600	56	PL1317M	719	K	12.06	41	77	115/230	8.8	98
	1800	56	PL1322M	767	K	12.94	46	78.5	115/230	9.2	96
3	3600	56	PL1326M	794	K	12.94	49	85.5	230	12.5	30, 98
	1800	184T	L1408TM	958	L1	15.00	74	78	115/230	16	
5	3600	56/56H	PL1327M	818	K	13.81	56	74.2	230	23	2, 20, 30, 36, 98
	1800	184T	L1410TM	1,165	L1	16.50	85	82.5	230	23	1, 30
Open Drip Proof, C-Face											
1 1/2	3600	56C	PCL1313M	598	K	12.06	38	75.5	115/230	6.6	98
	1800	56C	PCL1319M	767	K	12.06	44	74	115/230	7	98
2	3600	56C	PCL1317M	767	K	12.06	42	77	115/230	8.8	98
	1800	56C	PCL1322M	795	K	12.94	48	78.5	115/230	9.2	96
3	3600	56C	PCL1326M	841	K	12.94	50	78.1	230	12.5	30, 98
	1800	184TC	CL1408TM	1,012	L1	15.00	80	78	115/230	16	
5	3600	56HCY	PCL1327M	861	K	14.11	57	74.2	230	23	2, 20, 30, 36, 47, 98
	1800	184TC	CL1410TM	1,220	L1	16.50	88	82.5	230	23	1, 30

(a) See notes on inside back flap.

Definite Purpose Motors

Unit Handling Motors

Brake Motors

200 & 575 Volt Motors

IEC Frame Motors

50 Hertz Motors

Inverter/Vector Motors & Controls

DC Motors and Controls

Soft Starters

Gearmotors and Gear Products

**Arbor Saw,
Three Phase,
TEFC,
Foot Mounted**

7-1/2 thru 15 Hp

Applications: Heavy duty circular saw applications. Machine tools.



Features: Low profile for maximum blade cutting depth. Supplied with keyway and unthreaded shaft suitable for right or left threading. (See “Mod Express” section for custom threading.) Double row ball bearings for maximum shaft stability in precision woodworking applications.

Hp	RPM	Catalog Number	List Price	Mult. Sym.	“C” Dim.	Aprx. Wt. (lb)	Voltage	Full Load Amps	Notes (a)
7 1/2	3600	ASM6207	3,117	L1	16.73	105	230/460	9.2	1
10	3600	ASM6210	3,331	L1	16.73	108	208-230/460	11.5	
		ASM7510	3,883	L1	13.45	142	230/460	12	2
15	3600	ASM6215	3,883	L1	18.48	117	208-230/460	17	
		ASM7515	4,189	L1	14.45	146	208-230/460	16.5	2

(a) See notes on inside back flap.

Definite Purpose Motors

Unit Handling Motors

Brake Motors

200 & 575 Volt Motors

IEC Frame Motors

50 Hertz Motors

Inverter/Vector Motors & Controls

DC Motors and Controls

Soft Starters

Gearmotors and Gear Products

**Woodworking,
Single Phase, TEFC**

1 thru 3 Hp

NEMA 48Z thru 184YZ

Applications: Woodworking equipment such as table saws, planers, etc.



Features: Motor swivels on rod for belt tensioning. Shaft supplied with full key and keyway. Extra high breakdown torques for maximum cutting power. 1.00 Service Factor.

Hp	RPM	NEMA Frame	Catalog Number	List Price	Mult. Sym.	"C" Dim.	Aprx. Wt. (lb)	Full Load Efficiency	Voltage	Full Load Amps	Notes (a)
1	3600	48Z	WWL3509	496	K	13.35	33	65	115/230	6.3	67
2	3600	145TYZ	WWL3515T	809	L1	13.56	55	70	115/208-230	12	20, 65
3	3600	184YZ	WWL3606	1,034	L1	14.89	72	72	230	15.5	

(a) See notes on inside back flap.

**Pre-1952 NEMA,
Single and
Three Phase,
Foot Mounted**

1/2 thru 5 Hp

NEMA 66 thru 254

Applications: Applications requiring pre-1952 NEMA frame dimensions.



Features: Heavy-gauge seam-welded base, ball bearings.

Hp	RPM	NEMA Frame	Catalog Number	List Price	Mult. Sym.	"C" Dim.	Aprx. Wt. (lb)	Full Load Efficiency	Voltage	Full Load Amps	Notes (a)
Single Phase, Totally Enclosed Fan Cooled											
.5	1800	66	L3576M	696	K	13.62	36	64	115/230	4	
.75	1800	66	L3565M	827	K	13.62	38	66	115/230	5.3	
1	1800	66	L3566M	899	K	13.62	41	67	115/230	6.5	30
1.5	1800	66	L3567M	1,089	K	14.5	49	75.5	115/208-230	8	2, 65
Three Phase, Totally Enclosed Fan Cooled											
.5	1800	66	M3564	671	K	13.62	30	72	208-230/460	1.1	
.75	1800	66	M3565	705	K	13.62	31	75.5	208-230/460	1.3	30
1	1800	66	M3566	740	K	13.62	32	75.5	208-230/460	1.8	
1.5	1800	66	M3567	776	K	13.62	38	81.5	208-230/460	2.3	
Single Phase, Open Drip Proof											
1	1800	203	L1413	1,268	L1	14.37	52	70	115/230	7	30
1.5	1800	204	L1414	1,483	L1	14.37	59	68	115/230	9.5	30
Three Phase, Open Drip Proof											
1	1800	203	M3233	1,098	L1	14.38	51	77	208-230/460	1.6	
1.5	1800	204	M3234	1,164	L1	14.38	51	81.5	208-230/460	2.4	
2	1800	224	M3324	1,567	L1	16.32	79	79	208-230/460	3.3	
3	1800	225	M3325	1,614	L1	16.32	80	82.5	208-230/460	5.7	
5	1800	254	M3326	1,968	L1	18.32	95	84	208-230/460	6.8	

(a) See notes on inside back flap.

Definite Purpose Motors

Unit Handling Motors

Brake Motors

200 & 575 Volt Motors

IEC Frame Motors

50 Hertz Motors

Inverter/Vector Motors & Controls

DC Motors and Controls

Soft Starters

Gearmotors and Gear Products

**U-Frame,
Three Phase,
TEFC**

1/2 thru 30 Hp

NEMA 182 thru 326U

Applications: Pumps, compressors, fans, conveyors, machine tools and other general purpose three phase applications requiring NEMA U-frame mounting.

Features: Ball bearings, heavy-gauge steel and cast-iron frames, Exxon Polyrex EM grease. All the features of our stock three phase general purpose NEMA T-frame motors but with NEMA U-frame mounting dimensions.



Hp	RPM	NEMA Frame	Catalog Number	List Price	Mult. Sym.	"C" Dim.	Aprx. Wt. (lb)	Full Load Efficiency	Voltage	Full Load Amps	Notes (a)
Totally Enclosed Foot Mounted											
1/2	900	182	M3600	1,082	L1	13.76	41	70	208-230/460	1.3	
3/4	1200	182	M3601	857	L1	13.76	36	72	208-230/460	1.5	
	900	184	M3602	1,082	L1	14.64	51	72	208-230/460	1.6	1
1	1800	182	M3603	777	L1	13.76	38	82.5	208-230/460	1.6	
	1200	184	M3604	991	L1	13.76	44	80	208-230/460	1.8	
1 1/2	3600	182	M3605	882	L1	13.76	41	82.5	208-230/460	2.1	
	1800	184	M3606	792	L1	13.76	43	84	208-230/460	2.4	
	1200	184	M3607	1,059	L1	15.69	66	85.5	208-230/460	2.5	
	900	213	M3701	1,671	L1	15.89	88	77	230/460	2.7	
2	3600	184	M3608	1,015	L1	13.76	41	84	208-230/460	2.6	
	1800	184	M3609	835	L1	13.76	45	84	208-230/460	3.1	
	1200	213	M3712	1,197	L1	18.17	80	86.5	208-230/460	3.4	
	900	215	M3702	1,865	L1	17.51	100	82.5	208-230/460	3.5	
3	3600	184	M3610	836	L1	14.64	54	85.5	208-230/460	3.7	1
	1800	182	M3611	870	L1	14.64	63	87.5	208-230/460	4.2	1
		213	M3703	1,023	L1	18.17	70	87.5	208-230/460	4.2	1
5	1200	215	M3704	1,259	L1	17.51	109	87.5	208-230/460	4.6	1
	3600	213	M3706	1,424	L1	18.17	75	87.5	208-230/460	5.8	1
	1800	215	M3707	1,290	L1	18.17	83	87.5	208-230/460	6.8	1
7 1/2	1200	254U	M2275	2,626	L1	20.82	211	87.5	208-230/460	7.5	
	3600	215	M3709	1,436	L1	18.17	90	88.5	208-230/460	8.7	
	1800	254U	M2237	2,236	L1	22.91	232	89.5	208-230/460	9.3	1
10	1200	256U	M2276	3,157	L1	22.57	229	89.5	208-230/460	10.9	1
	3600	254U	M2393	2,509	L1	20.82	171	89.5	208-230/460	11.5	1
	1800	256U	M2238	2,803	L1	22.91	245	89.5	208-230/460	12.7	1
15	1200	284U	M2332	4,033	L1	26.34	310	89.5	230/460	14.4	1, 30
	3600	256U	M2394	2,602	L1	22.57	225	90.2	208-230/460	17.2	1
	1800	284U	M2333	3,859	L1	26.34	292	91	230/460	18.1	1, 30
20	3600	286U	M4106	3,759	L1	26.34	309	90.2	230/460	23	1, 30
	1800	286U	M2334	4,618	L1	26.34	296	91	230/460	24	1, 30
25	3600	324U	M4107	5,860	L1	30.76	401	91	230/460	29	1, 30
	1800	324U	M4103	5,738	L1	30.76	408	92.4	230/460	30	1, 30
30	1800	326U	M4104	6,806	L1	30.76	423	92.4	230/460	37	1, 30
Totally Enclosed, C-Face, Footless											
1	1800	182C	VM3603	937	L1	12.31	34	82.5	208-230/460	1.56	
1 1/2	1800	184C	VM3606	996	L1	13.31	39	84	208-230/460	2.4	
	1200	184C	VM3607	1,118	L1	15.68	64	85.5	208-230/460	2.5	
2	1800	184C	VM3609	1,035	L1	13.31	41	84	208-230/460	3.1	
	1200	184C	VM3614	1,169	L1	15.68	73	86.5	208-230/460	3.4	
3	3600	184C	VM3610	1,006	L1	14.19	50	85.5	208-230/460	3.7	1
	1800	184C	VM3611	1,069	L1	15.56	60	87.5	208-230/460	4.2	1
		213C	VM3703	1,136	L1	16.67	72	87.5	208-230/460	4.1	1
5	1200	215C	VM3704	1,372	L1	18.26	106	87.5	208-230/460	4.6	1
	3600	184C	VM3613	960	L1	15.68	68	87.5	208-230/460	5.8	1
	1800	184C	VM3615	1,221	L1	15.68	73	87.5	208-230/460	6.8	1
		215C	VM3707	1,402	L1	16.67	78	87.5	208-230/460	6.8	1

(a) See notes on inside back flap.

■ Cast Iron Frame

**U-Frame,
Three Phase,
ODP**

1 thru 20 Hp

NEMA 182 thru 286U

Applications: Pumps, compressors, fans, conveyors, machine tools and other general purpose three phase applications requiring NEMA U-frame mounting.

Features: Ball bearings, heavy-gauge steel and cast-iron frames, Exxon Polyrex EM grease. All the features of our stock three phase general purpose NEMA T-frame motors but with NEMA U-frame mounting dimensions.



Hp	RPM	NEMA Frame	Catalog Number	List Price	Mult. Sym.	"C" Dim.	Aprx. Wt. (lb)	Full Load Efficiency	Voltage	Full Load Amps	Notes (a)
Open Drip Proof, Foot Mounted											
1	1800	182	M3203	713	L1	12.62	36	82.5	208-230/460	1.56	
1 1/2	1800	184	M3206	742	L1	12.62	40	84	208-230/460	2.4	
2	3600	184	M3208	911	L1	12.62	42	84	208-230/460	2.5	
	1800	184	M3209	799	L1	12.62	44	84	208-230/460	3.15	
3	3600	184	M3210	968	L1	12.62	57	84	208-230/460	3.7	
	1800	184	M3211	801	L1	14.12	55	86.5	208-230/460	4.1	
		213	M3304	976	L1	16.63	68	86.5	230/460	4.6	30
5	1800	215	M3308	1,023	L1	16.62	77	87.5	208-230/460	7.2	
7 1/2	3600	215	M3310	1,376	L1	16.62	75	87.5	208-230/460	8.7	
	1800	254U	M2505	2,088	L1	19.51	129	88.5	208-230/460	10.1	
		1800	256U	M2510	2,521	L1	22.00	177	87.5	230/460	13.4
15	1800	284U	M2523	3,297	L1	23.69	223	91	230/460	18	1, 30
20	1800	286U	M2527	3,783	L1	23.69	240	91.7	230/460	25	1, 30
Open Drip Proof, C-Face, Footless											
3	1800	184C	VM3211	839	L1	15.55	55	86.5	208-230/460	4.1	1
5	1800	184C	VM3218	667	L1	15.68	74	87.5	208-230/460	7.2	1

(a) See notes on inside back flap.

Definite Purpose Motors

Unit Handling Motors

Brake Motors

200 & 575 Volt Motors

IEC Frame Motors

50 Hertz Motors

Inverter/Vector Motors & Controls

DC Motors and Controls

Soft Starters

Gearmotors and Gear Products

**U-Frame,
Single Phase**

1 thru 5 Hp

NEMA 182 thru 215

Applications: Pumps, compressors, fans, conveyors, machine tools and other general purpose single phase applications requiring NEMA U-frame mounting.

Features: Ball bearings, heavy-gauge steel frames, Exxon Polyrex EM grease, All the features of our stock general purpose single phase NEMA T-frame motors but with NEMA U-frame mounting dimensions.



Hp	RPM	NEMA Frame	Catalog Number	List Price	Mult. Sym.	"C" Dim.	Aprx. Wt. (lb)	Full Load Efficiency	Voltage	Full Load Amps	Notes (a)
Totally Enclosed, Foot Mounted											
1	1800	182	L3601	996	L1	14.31	55	72	115/230	6	3, 30
	1200	184	L3607	1,590	L1	15.69	74	67	115/230	7	3, 30
1 1/2	1800	184	L3603	1,085	L1	15.69	66	70	115/230	9.5	3, 30
2	1800	184	L3605	1,214	L1	15.69	67	75.5	115/230	11.5	3, 30
		184	L3605M	1,301	L1	15.69	66	75.5	115/230	11.5	3, 30
	1200	215	L3703	2,626	L1	17.51	113	80	115/230	9.4	2, 30, 65
	1800	215	L3705	2,070	L1	17.51	117	80	115/230	14	30, 65
3	1200	215	L3706	3,153	L1	17.51	110	82.5	115/230	14	1, 30, 65
	1800	215	L3708	2,117	L1	18.64	100	84	230	20.5	1, 30, 65
Totally Enclosed, C-Face, Footless											
2	1800	184C	VL3605	1,309	L1	15.68	64	75.5	115/230	11.5	3, 30
Open Drip Proof, Foot Mount											
1	1800	182	L1401	799	L1	12.75	46	70	115/230	7	30
		182	L1401M	867	L1	12.75	49	70	115/230	7	
	1200	184	L1407	1,401	L1	14.13	64	65	115/230	8	30
1 1/2	1800	184	L1403	892	L1	12.75	56	68	115/230	9.5	30
2	1800	184	L1405	936	L1	14.13	65	71	115/230	12	30
	1200	215	L1503	2,188	L1	15.94	108	68	115/230	14	30
3	1800	215	L1505	1,781	L1	15.94	106	75	115/230	18	30

(a) See notes on inside back flap.

**Automotive Duty,
Three Phase, TEFC,
Foot Mounted**

1 thru 100 Hp

NEMA 182 thru 445U



Applications: Pumps, compressors, fans, conveyors, machine tools and other applications where automotive approved motors are required.

Features: Heavy duty cast iron frames, regreasable double shield ball bearings, shaft slinger on both ends of motor, stainless steel nameplate, epoxy paint. Suitable for 65°C ambient 1.00 service factor or 1.15 service factor, 40°C ambient. Class F insulation, 1.00 service factor.

Hp	RPM	NEMA Frame	Catalog Number	List Price	Mult. Sym.	"C" Dim.	Aprx. Wt. (lb)	Full Load Efficiency	Voltage	Full Load Amps	Notes (a)
1	1800	182	AEM3683-4	1,269	L1	13.18	79	84	460	1.5	60
	1200	184	AEM3684-4	1,601	L1	14.74	90	80.5	460	1.7	
1 1/2	1800	184	AEM3686-4	1,362	L1	14.74	86	85	460	2.2	
	1200	184	AEM3687-4	1,771	L1	14.74	88	85.5	460	2.5	
2	1800	184	AEM3689-4	1,451	L1	14.74	95	86	460	2.9	
	1200	213	AEM3782-4	1,976	L1	18.07	180	86.5	460	3.2	
3	1800	213	AEM3783-4	1,675	L1	18.07	155	89.5	460	3.9	
	1200	215	AEM3784-4	2,406	L1	18.07	155	87.5	460	4.6	
5	1800	215	AEM3787-4	2,193	L1	18.07	166	90.2	460	6.7	
	1200	254U	AEM2275-4	3,338	L1	20.81	211	87.5	460	7.5	
7 1/2	1800	254U	AEM2237-4	2,942	L1	23.11	227	89.5	460	9.2	
	1200	256U	AEM2276-4	4,252	L1	23.11	299	90.2	460	10.6	
10	1800	256U	AEM2238-4	3,558	L1	23.11	245	90.2	460	12	
	1200	284U	AEM2332-4	5,218	L1	27.81	353	91	460	13.8	
15	1800	284U	AEM2333-4	4,943	L1	26.92	312	92.4	460	18	
	1200	324U	AEM4100-4	6,992	L1	30.66	497	90.2	460	20.3	
20	1800	286U	AEM2334-4	5,960	L1	27.81	384	91	460	25	
	1200	326U	AEM4102-4	8,773	L1	30.66	513	90.2	460	25.4	
25	1800	324U	AEM4103-4	7,597	L1	30.66	551	92.4	460	29.5	
	1200	364U	AEM4111-4	9,413	L1	33.94	878	93	460	29.2	
30	1800	326U	AEM4104-4	8,583	L1	30.66	559	93.6	460	35	
	1200	365U	AEM4117-4	10,918	L1	33.95	830	93	460	35.1	
40	1800	364U	AEM4307-4	10,199	L1	33.95	874	94.5	460	45	
	1200	404U	AEM4308-4	13,888	L1	38.20	1198	94.1	460	47.4	
50	1800	365U	AEM4311-4	12,282	L1	33.95	915	93.6	460	56.4	
	1200	405U	AEM4312-4	16,572	L1	38.20	1160	94.1	460	58.2	
60	1800	405U	AEM4314-4	15,008	L1	38.20	1294	94.5	460	67.6	
	1200	444U	AEM4403-4	19,390	L1	44.75	1574	94.1	460	70.2	
75	1800	444U	AEM4316-4	18,755	L1	44.75	1751	95.4	460	82.5	
	1200	445U	AEM4404-4	26,259	L1	44.75	1681	95	460	85.6	
100	1800	445U	AEM4400-4	20,718	L1	44.75	1892	95.8	460	110	

(a) See notes on inside back flap.

■ Cast Iron Frame

Definite Purpose Motors

Unit Handling Motors

Brake Motors

200 & 575 Volt Motors

IEC Frame Motors

50 Hertz Motors

Inverter/Vector Motors & Controls

DC Motors and Controls

Soft Starters

Gearmotors and Gear Products

BALDOR • RELIANCE

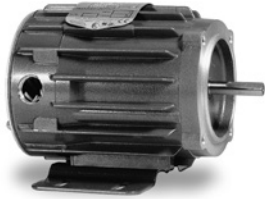
Single and Three Phase, TENV, Foot or C-Face Mounting, Removable Base

1/12 thru 1/4 Hp

NEMA 42C

Applications: General purpose fractional horsepower applications including pumps, compressors, machine tools, and air handling.

Features: C-face with removable base, rugged cast aluminum housing having a dry powder epoxy coating, and ball bearings with the drive end bearing locked.



Hp	RPM	NEMA Frame	Catalog Number	List Price	Mult. Sym.	"C" Dim.	Aprx. Wt. (lb)	Full Load Efficiency	Voltage	Full Load Amps	Notes (a)
Single Phase											
1/12	3600	42C	CNL20082	256	DS	7.39	12	55	115	1.1	2, 20
1/8	1800	42C	CNL20134	279	DS	7.89	13	58.6	115	1.6	2, 20
1/6	3600	42C	CNL20172	288	DS	8.39	13	68	115	1.9	2, 20
Three Phase											
1/8	3600	42C	CNM20132	311	DS	7.39	8	64	230/460	0.4	2, 20
	1800	42C	CNM20134	337	DS	7.39	10	62	208-230/460	0.4	2, 20
1/4	3600	42C	CNM20252	346	DS	7.89	12	72	230/460	0.5	2, 20

(a) See notes on inside back flap.

Synchronous Permanent Magnet, Three Phase, TEFC, Foot Mounted

1 thru 3 Hp

NEMA 56C thru 182TC

Applications: Synchronous permanent magnet motors are designed for those applications requiring inherent, precise, open-loop speed regulation of individual or multiple interconnected operations.

Features: Motor design incorporates permanent magnets imbedded in the rotor to form salient poles that synchronize the load to the frequency applied with zero slip line start capable. Steel band frames, top mounted steel conduit box, 1.00 Service Factor, Class F insulation, 40C ambient, continuous duty. Precision balanced with Max Safe Speed = 6,000 RPM. Inverter Ready design suitable for 10:1 Constant Torque speed range.



Hp	RPM	NEMA Frame	Catalog Number	List Price	Mult. Sym.	"C" Dim.	Aprx. Wt. (lb)	Full Load Efficiency	Voltage	Full Load Amps	Notes (a)
F1 Mounting											
2	1800	145TC	CSPM3558T	3,735	L1	14.17	55	87.5	230/460	2.5	
F3 Mounting											
1	3600	56C	CSPM3545	2,997	K	13.29	34	78	230/460	1.1	
	1800	145TC	CSPM3546T	3,299	L1	13.29	37	89.5	230/460	1.2	
2	3600	145TC	CSPM3555T	3,495	L1	14.17	60	84	230/460	2.2	
3	1800	182TC	CSPM3611T	4,457	L1	16.56	70	89.5	230/460	4	

(a) See notes on inside back flap.

Red Catalog Number indicates **NEW** product.

Single and Three Phase, C-Face, TEFC

1/2 thru 7-1/2 Hp

NEMA 56C thru 213TC

Applications: Unit and baggage handling, conveyors, packaging equipment, machine tools, hoists, elevators and door operators.



Features: UL/CSA recognized and CE certified. CEUHM/VEUHM motors are Super-E® with NEMA Premium® efficiency, Inverter-ready. 143-145TY and 143-145TCY frame motors have a special base with 56, 143 and 145 slots used on OEM conveyors. 56-140 frames have low profile F3 top-mounted conduit box. 3 year warranty on Super-E® motors.

Hp	RPM	NEMA Frame	Catalog Number	List Price	Mult. Sym.	"C" Dim.	Aprx. Wt. (lb)	Full Load Efficiency	Voltage	Full Load Amps	Notes (a)
Single Phase, C-Face, Foot Mounted											
1/2	1800	56C	CUHL3518	490	K	12.22	37	68	115/208-230	3.7	
1	1800	56C	CUHL3519	597	K	13.22	44	67	115/208-230	6.4	
Single Phase, C-Face, Footless											
1/2	1800	56C	VUHL3518	464	K	12.22	35	68	115/208-230	3.7	
1	1800	56C	VUHL3519	571	K	13.22	40	67	115/208-230	6.4	
Three Phase, C-Face, Foot Mounted											
1/2	1800	56C	CUHM3538	420	K	12.23	27	72	208-230/460	1.1	1, 48
3/4	1800	56C	CUHM3542	444	K	12.23	31	77	208-230/460	1.2	1, 48
1	1800	56C	CUHM3546	476	K	12.23	36	82.5	208-230/460	1.6	1, 48
		143TCY	CEUHM3546T	681	L1	13.29	39	85.5	208-230/460	1.5	1, 48
1 1/2	1800	56C	CUHM3554	518	K	13.23	39	84	208-230/460	2.4	1, 48
		145TCY	CEUHM3554T	719	L1	13.29	45	86.5	208-230/460	2.2	1, 48
2	1800	56C	CUHM3558	555	K	13.23	43	84	208-230/460	3.1	1, 48
		145TCY	CEUHM3558T	792	L1	13.29	50	86.5	208-230/460	2.9	1, 48
3	1800	182TC	CEUHM3611T	926	L1	16.55	73	89.5	208-230/460	4.2	1, 48
5	1800	184TC	CEUHM3615T	1,017	L1	18.05	94	89.5	208-230/460	6.7	1, 48
Three Phase, C-Face, Footless											
1/2	1800	56C	VEUHM3538	607	K	13.23	33	82.5	208-230/460	0.8	1, 48
		56C	VUHM3538	414	K	13.23	30	72	208-230/460	1.1	1, 48
		56C	VUHM3538-5	414	K	13.23	33	82.5	575	0.6	1, 48
3/4	1800	56C	VEUHM3542	645	K	13.23	35	84	208-230/460	1.1	1, 48
		56C	VUHM3542	439	K	13.23	35	77	208-230/460	1.2	1, 48
		56C	VUHM3542-5	439	K	13.23	34	75.5	575	0.9	1, 48
1	1800	56C	VEUHM3546	664	K	13.23	38	85.5	208-230/460	1.5	1, 48
		56C	VUHM3546	470	K	13.23	35	82.5	208-230/460	1.6	1, 48
		56C	VUHM3546-5	470	K	13.23	36	82.5	575	1.3	1, 48
		56C	VEUHM3546-5	664	K	13.23	38	85.5	575	1.2	1, 48
		143TC	VEUHM3546T	676	L1	13.29	38	85.5	208-230/460	1.5	1, 48
		143TC	VEUHM3546T-5	676	L1	13.29	43	85.5	575	1.2	1, 48
		143TC	VUHM3546T	507	L1	13.29	36	82.5	208-230/460	1.6	1, 48
1 1/2	1800	143TC	VUHM3546T-5	507	L1	13.29	39	82.5	575	1.3	1, 48
		56C	VUHM3554	512	K	13.23	40	84	208-230/460	2.4	1, 48
		145TC	VEUHM3554T	706	L1	13.29	43	86.5	208-230/460	2.2	1, 48
		145TC	VEUHM3554T-5	706	L1	13.29	41	86.5	575	1.8	1, 48
2	1800	145TC	VUHM3554T	553	L1	13.29	39	84	208-230/460	2.4	1, 48
		145TC	VUHM3554T-5	553	L1	13.29	39	84	575	1.9	1, 48
		56C	VUHM3558	551	K	13.23	43	84	208-230/460	3.1	1, 48
		145TC	VEUHM3558T	784	L1	13.29	48	86.5	208-230/460	2.9	1, 48
3	1800	145TC	VEUHM3558T-5	784	L1	13.29	48	86.5	575	2.3	1, 48
		145TC	VUHM3558T	595	L1	13.29	43	84	208-230/460	3.1	1, 48
		145TC	VUHM3558T-5	595	L1	13.29	42	84	575	2.5	1, 48
		182TC	VEUHM3611T	891	L1	16.55	73	89.5	208-230/460	4.2	1, 48
5	1800	182TC	VUHM3611T	719	L1	16.56	64	87.5	208-230/460	4.2	1, 48
		182TC	VEUHM3611T-5	891	L1	16.55	70	89.5	575	3.3	1, 48
		184TC	VEUHM3615T	980	L1	18.05	88	89.5	208-230/460	6.7	1, 48
7 1/2	1800	184TC	VUHM3615T	822	L1	16.55	75	87.5	208-230/460	6.8	1, 48
		213TC	VEUHM3710T	1,445	L1	19.76	129	91.7	208-230/460	9.4	1, 48

(a) See notes on inside back flap. Red Catalog Number indicates NEW Product.

Define Purpose Motors

Unit Handling Motors

Brake Motors

200 & 575 Volt Motors

IEC Frame Motors

50 Hertz Motors

Inverter/Vector Motors & Controls

DC Motors and Controls

Soft Starters

Gearmotors and Gear Products

Definite Purpose Motors

Unit Handling Motors

Brake Motors

200 & 575 Volt Motors

IEC Frame Motors

50 Hertz Motors

Inverter/Vector Motors & Controls

DC Motors and Controls

Soft Starters

Gearmotors and Gear Products

High Cycle Brake Motor, Three Phase

1/2 thru 3 Hp

NEMA 56C thru 182TC

Applications: Unit and baggage handling, conveyors and other applications requiring frequent starting and stopping.



Features: UL/CSA recognized and CE certified. Low inertia high efficiency motor with cast aluminum footless frame for increased thermal dissipation specific to this application. A DC brake with integral rectifier provides for faster action than traditional spring-set brakes. Not suitable for use with inverters; Dodge brake on 1.5 thru 3 Hp has TEFC enclosure.

Hp	RPM	NEMA Frame	Enclosure	Catalog Number	List Price	Mult. Sym.	"C" Dim.	Aprx. Wt. (lb)	Full Load Efficiency	Voltage	Full Load Amps	Brake Rating (b)	Notes (a)
C-Face, Footless													
1/2	1800	56C	TENV	VRBM3538	1,399	K	13.62	35	75.5	208-230/460	0.9	3	1
3/4	1800	56C	TENV	VRBM3542	1,638	K	14.50	47	75	208-230/460	1.3	6	1
1	1800	56C	TENV	VRBM3546	1,888	K	15.50	47	80	230/460	1.6	6	1
		143TC	TENV	VRBM3546T	2,019	L1	15.57	46	80	230/460	1.6	6	1
1 1/2	1800	145TC	TEFC	VRBM3554T	2,054	L1	16.31	63	82.5	230/460	2.3	10	1
2	1800	145TC	TEFC	VRBM3558T	2,110	L1	17.68	69	84	230/460	2.9	10	1
3	1800	145TC	TEFC	VRBM3561T	2,173	L1	17.68	76	87.5	230/460	4.1	15	1
		182TC	TEFC	VRBM3161T	2,579	L1	18.68	82	87.5	230/460	4.1	15	1

(a) See notes on inside back flap.
 (b) Brake torque rating in lb-ft.

D-Series Brake Motor, Single Phase, TEFC

1/2 thru 1 Hp

NEMA 56C

Applications: Conveyors, packaging equipment, machine tools, hoists, elevators and door operators.



Features: UL/CSA recognized and CE certified. Dodge "D" Series brakes are spring set, magnetically released power off type brakes flange mounted to the motor. Brakes are single phase with built-in rectifier to DC. Brakes have a manual release lever. Leads are brought to the motor conduit box for connecting to the motor leads (56-140 frames) or connecting separately (180-210 frames). D series brake motors can be universally mounted. Low profile top-mounted F3 conduit box. 2 year warranty.

Hp	RPM	NEMA Frame	Catalog Number	List Price	Mult. Sym.	"C" Dim.	Aprx. Wt. (lb)	Full Load Efficiency	Voltage	Full Load Amps	Brake Rating (b)	Notes (a)
C-Face, Foot Mounted												
1/2	1800	56C	CBL3518-D	1,215	K	17.29	43	68	115/208-230	3.7	3	
3/4	1800	56C	CBL3597-D	1,283	K	17.29	43	68	115/208-230	5.5	3	
1	1800	56C	CBL3519-D	1,350	K	17.29	47	67	115/208-230	6.4	6	
C-Face, Footless												
1/2	1800	56C	VBL3518-D	1,209	K	16.29	43	68	115/208-230	3.7	3	
3/4	1800	56C	VBL3597-D	1,277	K	16.29	45	68	115/208-230	5.5	3	
1	1800	56C	VBL3519-D	1,343	K	17.29	56	67	115/208-230	6.4	6	

(a) See notes on inside back flap.
 (b) Brake torque rating in lb-ft.

**D-Series
Brake Motor,
Three Phase,
Totally Enclosed**

1/2 thru 10 Hp

NEMA 56 thru 215T

Applications: Unit and baggage handling, conveyors, packaging equipment, machine tools, hoists, elevators and door operators.



Features: UL/CSA recognized and CE certified. Dodge “D” Series brakes are spring set, magnetically released power off type brakes flange mounted to the motor. Brakes are single phase with built-in rectifier to DC. Brakes have a manual release lever. Leads are brought to the motor conduit box for connecting to the motor leads (56-140 frames) or connecting separately (180-210 frames). 56-140 frames have low profile F3 top-mounted conduit box. D series brake motors can be universally mounted. Inverter ready. 143-145TY and 143-145TCY frame motors have a special base with 56, 143 and 145 slots used on OEM conveyors.

Hp	RPM	NEMA Frame	Enclosure	Catalog Number	List Price	Mult. Sym.	“C” Dim.	Aprx. Wt. (lb)	Full Load Efficiency	Voltage	Full Load Amps	Brake Rating (b)	Notes (a)
Foot Mounted													
1/2	1800	56	TENV	BNM3538-D	926	K	14.96	43	80	208-230/460	0.8	3	1, 48
3/4	1800	56	TENV	BNM3542-D	1,259	K	14.96	47	78.5	208-230/460	1.4	6	1, 48
1	1800	56	TENV	BNM3546-D	1,307	K	15.96	39	85.5	208-230/460	1.5	6	1, 48
		145TY	TENV	BNM3546T-D	1,411	L1	16.02	58	85.5	208-230/460	1.5	6	1, 48
1 1/2	1800	56	TENV	BNM3554-D	1,356	K	15.96	66	86.5	208-230/460	2.3	10	1, 48
		145TY	TENV	BNM3554T-D	1,465	L1	16.90	65	86.5	208-230/460	2.1	10	1, 48
2	1800	56	TEFC	BM3558-D	1,387	K	17.29	45	84	208-230/460	3.1	10	1, 48
		145TY	TEFC	EBM3558T-D	1,631	L1	17.35	61	86.5	208-230/460	2.9	10	1, 48
3	1800	182T	TEFC	EBM3611T-D	2,112	L1	21.64	104	89.5	208-230/460	4.1	15	1, 48
5	1800	184T	TEFC	EBM3615T-D	2,554	L1	23.14	117	89.5	208-230/460	6.7	15	1, 48
7 1/2	1800	213T	TEFC	EBM3710T-D	3,434	L1	25.42	170	91.7	208-230/460	9.4	25	1, 48
10	1800	215T	TEFC	EBM3714T-D	4,227	L1	26.92	165	91.7	208-230/460	12	35	1, 48
C-Face, Foot Mounted													
2	1800	145TCY	TEFC	CEBM3558T-D	1,723	L1	17.35	61	86.5	208-230/460	2.9	10	1, 48
3	1800	182TC	TEFC	CEBM3611T-D	2,184	L1	21.64	103	89.5	208-230/460	4.1	15	1, 48
5	1800	184TC	TEFC	CEBM3615T-D	2,532	L1	23.14	121	89.5	208-230/460	6.7	25	1, 48
7 1/2	1800	213TC	TEFC	CEBM3710T-D	3,570	L1	26.17	127	91.7	208-230/460	9.4	25	1, 48
10	1800	215TC	TEFC	CEBM3714T-D	4,364	L1	27.67	165	91.7	208-230/460	12	35	1, 48
C-Face, Footless													
1/2	1800	56C	TEFC	VBM3538-5D	1,205	K	16.29	48	78.5	575	0.7	3	1, 48
		56C	TEFC	VBM3538-D	1,205	K	16.29	46	72	208-230/460	1.1	3	1, 48
		56C	TENV	VBNM3538-D	1,233	K	15.96	44	80	208-230/460-480	0.8	3	1, 48
3/4	1800	56C	TEFC	VBM3542-D	1,251	K	16.29	51	78.5	208-230/460	1.4	6	1, 48
		56C	TEFC	VEBM3542-D	1,373	K	16.29	52	84	208-230/460	1.1	6	1, 48
		56C	TENV	VBNM3542-D	1,280	K	15.96	48	78.5	208-230/460	1.4	6	1, 48
1	1800	56C	TEFC	VBM3546-D	1,308	K	16.29	55	82.5	208-230/460	1.6	6	1, 48
		56C	TENV	VBNM3546-D	1,338	K	15.96	55	85.5	208-230/460	1.5	6	1, 48
		56C	TEFC	VEBM3546-D	1,429	K	16.29	54	85.5	208-230/460	1.5	6	1, 48
		143TC	TEFC	VBM3546T-5D	1,412	L1	16.35	40	82.5	575	1.3	6	1, 48
		143TC	TEFC	VBM3546T-D	1,412	L1	16.35	49	82.5	208-230/460	1.6	6	1, 48
		143TC	TENV	VBNM3546T-D	1,442	L1	16.02	57	85.5	208-230/460	1.5	6	1, 48
		143TC	TEFC	VEBM3546T-5D	1,534	L1	16.35	52	85.5	575	1.2	6	1, 48
1 1/2	1800	56C	TEFC	VBM3554-D	1,357	K	17.29	58	84	208-230/460	2.4	10	1, 48
		56C	TENV	VBNM3554-D	1,385	K	16.83	64	86.5	208-230/460	2.1	10	1, 48
		56C	TEFC	VEBM3554-D	1,488	K	17.29	62	86.5	208-230/460	2.2	10	1, 48
		145TC	TEFC	VBM3554T-5D	1,466	L1	17.35	54	84	575	1.9	10	1, 48
		145TC	TEFC	VBM3554T-D	1,466	L1	17.35	54	84	208-230/460	2.4	10	1, 48
		145TC	TENV	VBNM3554T-D	1,494	L1	16.90	65	86.5	208-230/460	2.1	10	1, 48
		145TC	TEFC	VEBM3554T-5D	1,597	L1	17.35	55	86.5	575	1.8	10	1, 48
		145TC	TEFC	VEBM3554T-D	1,597	L1	17.35	58	86.5	208-230/460	2.2	10	1, 48

(a) See notes on inside back flap.

(b) Brake torque rating in lb-ft.

Red Catalog Number indicates **NEW** Product.

Definite Purpose Motors

Unit Handling Motors

Brake Motors

200 & 575 Volt Motors

IEC Frame Motors

50 Hertz Motors

Inverter/Vector Motors & Controls

DC Motors and Controls

Soft Starters

Gearmotors and Gear Products

D-Series Brake Motor, Three Phase, Totally Enclosed

Hp	RPM	NEMA Frame	Enclosure	Catalog Number	List Price	Mult. Sym.	"C" Dim.	Aprx. Wt. (lb)	Full Load Efficiency	Voltage	Full Load Amps	Brake Rating ^(b)	Notes ^(a)
2	1800	56C	TEFC	VBM3558-D	1,387	K	17.29	63	84	208-230/460	3.1	10	1, 48
		145TC	TEFC	VBM3558T-5D	1,499	L1	17.35	57	84	575	2.5	10	1, 48
		145TC	TEFC	VBM3558T-D	1,499	L1	17.35	56	84	208-230/460	3.1	10	1, 48
		145TC	TEFC	VEBM3558T-5D	1,631	L1	17.35	62	86.5	575	2.3	10	1, 48
		145TC	TEFC	VEBM3558T-D	1,631	L1	17.35	62	86.5	208-230/460	2.9	10	1, 48
3	1800	182TC	TEFC	VBM3611T-5D	2,076	L1	20.62	79	87.5	575	3.3	15	1, 48
		182TC	TEFC	VBM3611T-D	2,076	L1	20.62	80	87.5	208-230/460	4.2	15	1, 48
		182TC	TEFC	VEBM3611T-5D	2,153	L1	21.64	101	89.5	575	3.1	15	1, 48
		182TC	TEFC	VEBM3611T-D	2,153	L1	21.64	101	89.5	208-230/460	4.2	15	1, 48
5	1800	184TC	TEFC	VBM3615T-5D	2,567	L1	21.64	81	87.5	575	5.5	15	1, 48
		184TC	TEFC	VBM3615T-D	2,567	L1	21.64	105	87.5	208-230/460	6.8	15	1, 48
		184TC	TEFC	VEBM3615T-5D	2,596	L1	23.14	117	89.5	575	5.2	15	1, 48
		184TC	TEFC	VEBM3615T-D	2,596	L1	23.14	117	89.5	208-230/460	6.7	15	1, 48
7 1/2	1800	213TC	TEFC	VBM3710T-D	3,348	L1	25.01	162	89.5	208-230/460	10.1	25	1, 48
		213TC	TEFC	VEBM3710T-D	3,534	L1	26.17	127	91.7	208-230/460	9.4	25	1, 48
10	1800	215TC	TEFC	VBM3714T-D	4,230	L1	26.17	157	89.5	208-230/460	13.5	35	1, 48

^(a) See notes on inside back flap.
^(b) Brake torque rating in lb-ft.

Definite Purpose Motors

Unit Handling Motors

Brake Motors

200 & 575 Volt Motors

IEC Frame Motors

50 Hertz Motors

Inverter/Vector Motors & Controls

DC Motors and Controls

Soft Starters

Gearmotors and Gear Products

**Short Series
Brake Motor,
Three Phase,
TEFC**

1/2 thru 5 Hp

NEMA 56 thru 184TC

Applications: Unit and baggage handling, conveyors, packaging equipment, machine tools, hoists, elevators and door operators.



Features: UL/CSA recognized and CE certified. Dodge short series brakes are spring set, magnetically released power off type brakes and integrally mounted in the motor for the most compact design. Brakes are single phase with built-in rectifier to DC. Brakes have a manual release lever. Leads are brought to the motor conduit box for connecting to the motor leads (56-140 frames) or connecting separately (180-210 frames). 56-140 frames have low profile F3 top-mounted conduit box. SSB brake motors can be universally mounted and are inverter ready. 143-145TY frame motors have a special base with 56, 143 and 145 slots used on OEM conveyors.

Hp	RPM	NEMA Frame	Catalog Number	List Price	Mult. Sym.	"C" Dim.	Aprx. Wt. (lb)	Full Load Efficiency	Voltage	Full Load Amps	Brake Rating (b)	Notes (a)
Foot Mounted												
1/2	1800	56	BM3538-S	1,153	K	14.37	42	72	208-230/460	1.1	3	1, 48
3/4	1800	56	BM3542-S	1,198	K	14.37	45	78.5	208-230/460	1.4	3	1, 48
1	1800	56	BM3546-S	1,242	K	14.37	47	82.5	208-230/460	1.6	6	1, 48
		143TY	BM3546T-S	1,242	L1	15.43	41	82.5	208-230/460	1.6	6	1, 48
1 1/2	1800	145TY	BM3554T-S	1,288	L1	15.43	56	84	208-230/460	2.4	10	1, 48
2	1800	145TY	BM3558T-S	1,321	L1	15.43	52	84	208-230/460	3.1	10	1, 48
3	1800	182T	BM3611T-S	1,788	L1	18.68	78	87.5	208-230/460	4.2	15	1, 48
5	1800	184T	BM3615T-S	2,218	L1	19.05	95	87.5	208-230/460	6.8	25	1, 48
C-Face, Footless												
1/2	1800	56C	VBM3538-5S	1,144	K	14.37	42	72	575	0.8	3	1, 48
		56C	VBM3538-S	1,144	K	14.37	41	72	208-230/460	1.1	3	1, 48
3/4	1800	56C	VBM3542-S	1,190	K	14.37	45	78.5	208-230/460	1.4	3	1, 48
1	1800	56C	VBM3546-5S	1,245	K	14.37	35	82.5	575	1.3	6	1, 48
		56C	VBM3546-S	1,245	K	14.37	47	82.5	208-230/460	1.6	6	1, 48
		143TC	VBM3546T-S	1,245	L1	14.43	49	82.5	208-230/460	1.6	6	1, 48
1 1/2	1800	56C	VBM3554-S	1,290	K	15.37	55	84	208-230/460	2.4	10	1, 48
		145TC	VBM3554T-5S	1,290	L1	15.43	55	84	575	1.9	10	1, 48
		145TC	VBM3554T-S	1,290	L1	15.43	52	84	208-230/460	2.4	10	1, 48
2	1800	56C	VBM3558-S	1,321	K	15.37	57	84	208-230/460	3.1	10	1, 48
		145TC	VBM3558T-5S	1,321	L1	15.43	58	84	575	2.5	10	1, 48
		145TC	VBM3558T-S	1,321	L1	15.43	57	84	208-230/460	3.1	10	1, 48
3	1800	182TC	VBM3611T-S	1,825	L1	18.68	79	87.5	208-230/460	4.2	15	1, 48
5	1800	184TC	VBM3615T-S	2,257	L1	19.05	96	87.5	208-230/460	6.8	25	1, 48

(a) See notes on inside back flap.

(b) Brake torque rating in lb-ft.

**D-Series and
SSB Fast Response
Brake Kit**

Applications: These kits are designed for Dodge manufactured D-Series and Short Series brakes. These fast response kits allow the brake to provide a faster dropout time (timed to braking).

Frame	Enclosure	Catalog Number	Voltage	Aprx. Wt. (lb)	List Price	Mult. Sym.
56 - 180	TENV, TEFC, SSB	FBRK115230	115	1	131	A8
56 - 180	TENV, TEFC, SSB	FBRK230460	230	1	144	A8

Definite Purpose Motors

Unit Handling Motors

Brake Motors

200 & 575 Volt Motors

IEC Frame Motors

50 Hertz Motors

Inverter/Vector Motors & Controls

DC Motors and Controls

Soft Starters

Gearmotors and Gear Products

**Three Phase,
Super-E
Premium Efficient,
TEFC**

1 thru 30 Hp

NEMA 56 thru 284T

Applications: Machine tools, conveyors, door operators, speed reducers, any application requiring quick stops and positive hold.



Features: Standard NEMA BA dimension. (C-Face may be added in ModExpress to EBM motors for C-Face with base). Spring-set brake. Power off manual release. Resets automatically. Class F insulated with 1.15 service factor. Motors have NEMA Premium® Efficiency and are suitable for inverter use. 230/460V brakes are connected in conduit box allowing for separate connection when used with an inverter.

Hp	RPM	NEMA Frame	Catalog Number	List Price	Mult. Sym.	"C" Dim.	Aprx. Wt. (lb)	Full Load Efficiency	Voltage	Full Load Amps	Brake Rating (b)	Notes (a)
Foot Mounted												
1	1800	56	EBM3546	1,529	K	16.80	44	85.5	208-230/460	1.5	6	41
		143T	EBM3546T	1,560	L1	17.86	46	85.5	208-230/460	1.5	6	41
1 1/2	1800	145T	EBM3554T	1,756	L1	17.86	52	86.5	208-230/460	2.2	10	41
2	1800	145T	EBM3558T	1,795	L1	17.86	57	86.5	208-230/460	2.9	10	41
3	1800	182T	EBM3611T	2,325	L1	21.12	89	89.5	208-230/460	4.2	15	41
5	1800	184T	EBM3615T	2,819	L1	22.65	106	89.5	208-230/460	6.7	25	42
7 1/2	1800	213T	EBM3710T	3,780	L1	27.20	158	91.7	230/460	9.4	35	30, 40
10	1800	215T	EBM3714T	4,673	L1	29.19	165	91.7	208-230/460	12	50	40
15	1800	254T	EBM2333T	6,611	L1	33.07	337	92.4	230/460	18.1	75	30
20	1800	256T	EBM2334T	8,016	L1	33.57	398	93	230/460	24	105	30
25	1800	284T	EBM4103T	9,022	L1	39.66	516	93.6	230/460	30	105	30
30	1800	284T	EBM4104T	12,220	L1	42.84	667	93.6	230/460	37	125	30
C-Face, Footless												
1/2	1800	56C	VEBNM3538	1,392	K	15.26	37	84	230/460	0.9	3	41, 60
3/4	1800	56C	VEBNM3542	1,565	K	15.26	53	84	208-230/460	1.1	6	41, 60
1	1800	56C	VEBM3546	1,586	K	16.80	45	85.5	208-230/460	1.5	6	41
		143TC	VEBM3546T	1,597	L1	16.86	45	85.5	208-230/460	1.5	6	41
1 1/2	1800	56C	VEBM3554	1,783	K	17.80	53	86.5	208-230/460	2.2	6	41
		145TC	VEBM3554T	1,795	L1	17.86	52	86.5	208-230/460	2.2	10	41
2	1800	56C	VEBM3558	1,832	K	17.80	56	86.5	208-230/460	2.9	6	41
		145TC	VEBM3558T	1,832	L1	17.86	57	86.5	208-230/460	2.9	10	41
3	1800	182TC	VEBM3611T	2,400	L1	21.11	82	89.5	208-230/460	4.2	15	41
5	1800	184TC	VEBM3615T	2,890	L1	23.06	99	89.5	208-230/460	6.7	25	42
7 1/2	1800	213TC	VEBM3710T	3,946	L1	27.95	172	91.7	230/460	9.4	35	30, 40
10	1800	215TC	VEBM3714T	4,838	L1	29.95	165	91.7	208-230/460	12	50	42

(a) See notes on inside back flap.

(b) Brake rating in lb-ft.

■ Cast Iron Frame

Definite Purpose Motors

Unit Handling Motors

Brake Motors

200 & 575 Volt Motors

IEC Frame Motors

50 Hertz Motors

Inverter/Vector Motors & Controls

DC Motors and Controls

Soft Starters

Gearmotors and Gear Products

Single and Three Phase, TEFC, Foot Mounted

1/4 thru 30 Hp

NEMA 56 thru 286T

Applications: Machine tools, conveyors, door operators, speed reducers, any application requiring quick stops and positive hold.



Features: Spring-set brake. Power off operation manual release. Resets automatically. Brakes internally connected to motor on 215T and smaller.

Hp	RPM	NEMA Frame	Catalog Number	List Price	Mult. Sym.	"C" Dim.	Aprx. Wt. (lb)	Full Load Efficiency	Voltage	Full Load Amps	Brake Rating (b)	Notes (a)
Single Phase												
1/4	1800	56	BL3516	874	K	14.36	27	59.5	115/230	2.1	3	2, 30, 41, 60
1/3	1800	56	BL3517	921	K	15.46	27	60	115/230	3	3	30, 41
1/2	1800	56	BL3518	1,000	K	16.08	32	68	115/230	3.7	3	30, 41
3/4	1800	56	BL3507	1,313	K	16.71	40	72	115/230	4.2	6	30, 41
1	1800	56	BL3510	1,390	K	17.11	52	68	115/230	6.4	6	30, 41
Three Phase												
1/4	1800	56	BM3568	839	K	14.36	26	68	208-230/460	0.5	3	2, 41, 60
1/3	1800	56	BM3569	887	K	14.36	27	70	208-230/460	0.7	3	2, 41, 60
1/2	1800	56	BM3538	964	K	14.98	31	75.5	208-230/460	0.9	3	2, 41, 60
	1200	56	BM3539	1,328	K	16.45	35	72	230/460	1.2	6	30, 41
3/4	1800	56	BM3542	1,128	K	16.45	31	75.5	208-230/460	1.5	6	41
	1200	56	BM3543	1,394	K	17.45	39	77	208-230/460	1.5	6	41
1	1800	56	BM3546	1,309	K	17.45	38	78.5	208-230/460	1.7	6	41
		143T	BM3546T	1,309	L1	17.01	39	78.5	208-230/460	1.7	6	41
		182	BM3603	1,814	L1	17.49	43	75.5	208-230/460	1.8	6	41
1 1/2	1800	145T	BM3556T	1,864	L1	16.49	46	78.5	208-230/460	1.9	10	41
		56	BM3554	1,469	K	17.11	47	84	208-230/460	2.4	10	41
2	1800	145T	BM3554T	1,469	L1	17.49	47	84	208-230/460	2.4	10	41
		184	BM3606	1,940	L1	17.49	50	81.5	208-230/460	2.3	10	41
		56	BM3558	1,505	K	17.11	49	82.5	208-230/460	3	10	41
3	1800	145T	BM3558T	1,505	L1	17.49	51	82.5	208-230/460	3	10	41
		184	BM3609	2,019	L1	17.49	53	82.5	208-230/460	3	10	41
		184T	BM3614T	2,494	L1	20.57	77	81.5	208-230/460	3.4	15	41
5	1800	182T	BM3611T	2,040	L1	19.19	67	85.5	208-230/460	4.5	15	1, 41
		213	BM3703	3,050	L1	22.42	78	85.5	208-230/460	4.5	15	1, 41
7 1/2	1800	1200	BM3704T	3,695	L1	25.88	136	84	208-230/460	4.8	35	1, 40
		184T	BM3615T	2,531	L1	21.02	90	87.5	208-230/460	6.8	25	1, 40
		184T	BM3635T	2,151	L1	21.02	90	87.5	208-230/460	6.8	15	1, 41
10	1800	215	BM3707	3,730	L1	22.87	91	87.5	208-230/460	6.8	25	1, 40
		213T	BM3710T	3,253	L1	25.88	155	87.5	208-230/460	10.9	35	1, 40
15	1800	213T	BM3730T	3,087	L1	25.88	155	89.5	208-230/460	10.1	25	1, 40
		215T	BM3714T	4,139	L1	27.51	154	89.5	208-230/460	13.5	50	1, 2, 20, 42
20	1800	215T	BM3734T	3,426	L1	27.51	158	89.5	208-230/460	13.5	35	1, 2, 20, 40
		254T	BM2353T	5,010	L1	29.38	249	89.5	208-230/460	18.9	50	1,
25	1800	256T	BM2334T	6,885	L1	31.63	273	91	230/460	25	105	1, 30
		256T	BM2354T	5,822	L1	31.13	273	91	230/460	25	75	1, 30
30	1800	284T	BM4103T	7,290	L1	35.83	402	92.4	230/460	30	105	1, 30
		286T	BM4104T	10,224	L1	39.13	545	92.4	230/460	37	125	1, 30

(a) See notes on inside back flap.

(b) Brake torque rating in lb.-ft.

Enclosed brake motors have non-standard "BA" dimension except for TENV ratings.

■ Cast Iron Frame

Definite Purpose Motors

Unit Handling Motors

Brake Motors

200 & 575 Volt Motors

IEC Frame Motors

50 Hertz Motors

Inverter/Vector Motors & Controls

DC Motors and Controls

Soft Starters

Gearmotors and Gear Products

Single and Three Phase, TEFC, C-Face

1/4 thru 10 Hp

NEMA 56C thru 215TC

Applications: Machine tools, conveyors, door operators, speed reducers, any application requiring quick stops and positive hold.



Features: Spring-set brake. Power off operation manual release. Resets automatically. Brakes internally connected to motor on 215T and smaller.

Hp	RPM	NEMA Frame	Catalog Number	List Price	Mult. Sym.	"C" Dim.	Aprx. Wt. (lb)	Full Load Efficiency	Voltage	Full Load Amps	Brake Rating (b)	Notes (a)
Single Phase, C-Face, Footless												
1/3	1800	56C	KBL3406	939	K	15.45	27	60	115/230	3	3	30, 41
1/2	1800	56C	KBL3409	1,031	K	16.07	32	68	115/230	3.7	3	30, 41
3/4	1800	56C	VBL3507	1,338	K	16.82	40	72	115/230	4.2	6	30, 41
1	1800	56C	VBL3510	1,418	K	17.80	49	76.5	115/230	4.5	6	30, 41
		143TC	VBL3510T	1,418	L1	17.86	49	76.5	115/230	4.5	6	30, 41
Three Phase, C-Face, Foot Mounted												
1	1800	143TC	CBM3546T	1,373	L1	17.86	42	75.5	208-230/460	1.8	6	41
1 1/2	1800	145TC	CBM3554T	1,539	L1	17.86	48	81.5	208-230/460	2.3	10	41
2	1800	145TC	CBM3558T	1,582	L1	17.86	51	82.5	208-230/460	3	10	41
3	1800	182TC	CBM3611T	2,136	L1	19.74	72	85.5	208-230/460	4.5	15	1, 41
5	1800	184TC	CBM3615T	2,670	L1	21.56	90	87.5	208-230/460	6.8	25	8, 42
7 1/2	1800	213TC	CBM3710T	3,404	L1	26.83	160	87.5	208-230/460	10.9	35	1, 40
10	1800	215TC	CBM3714T	4,372	L1	28.45	154	89.5	208-230/460	13.5	50	1, 42
Three Phase, C-Face, Footless												
1/4	1800	56C	KBM3454	833	K	14.36	26	68	208-230/460	0.5	3	2, 41, 60
1/3	1800	56C	KBM3458	885	K	14.36	23	70	208-230/460	0.7	3	2, 41, 60
3/4	1800	56C	VBM3538	986	K	14.98	30	75.5	208-230/460	0.9	3	2, 41, 60
		56C	VBM3542	1,155	K	15.86	35	75	208-230/460	1.3	6	2, 41, 60
		56C	VBM3542-5	1,155	K	15.26	40	80	575	1.9	6	2, 41, 60
		56C	VBM3546	1,330	K	16.96	38	78.5	208-230/460	1.7	6	41
1	1800	143TC	VBM3546T	1,330	L1	17.02	38	78.5	208-230/460	1.7	6	41
		143TC	VBM3546T-5	1,330	L1	16.86	40	75.5	575	1.5	6	41
1 1/2	1800	56C	VBM3554	1,493	K	17.80	48	84	208-230/460	2.4	10	41
		145TC	VBM3554T	1,493	L1	17.86	49	84	208-230/460	2.4	10	41
2	1800	56C	VBM3558	1,530	K	17.80	50	82.5	208-230/460	3	10	41
		145TC	VBM3558T	1,530	L1	17.86	50	82.5	208-230/460	3	10	41
3	1800	182TC	VBM3611T	2,139	L1	19.74	67	85.5	208-230/460	4.5	15	1, 41
5	1800	184TC	VBM3615T	2,643	L1	21.56	89	87.5	208-230/460	6.8	25	1, 42
7 1/2	1800	213TC	VBM3710T	3,386	L1	26.83	128	87.5	208-230/460	10.9	35	1, 40
10	1800	215TC	VBM3714T	4,296	L1	28.45	154	89.5	208-230/460	13.5	50	1, 42

(a) See notes on inside back flap.

(b) Brake torque rating in lb.-ft.

If brake motors are to be used with any electronic control, soft start, inverter or vector etc., then brake must be externally connected.

Definite Purpose Motors

Unit Handling Motors

Brake Motors

200 & 575 Volt Motors

IEC Frame Motors

50 Hertz Motors

Inverter/Vector Motors & Controls

DC Motors and Controls

Soft Starters

Gearmotors and Gear Products

Three Phase, ODP

1/2 thru 15 Hp

NEMA 56 thru 254T



Applications: Machine tools, conveyors, door operators, speed reducers, any application requiring quick stops and positive hold.

Features: Spring-set brake. Power off operation manual release. Resets automatically. Brakes internally connected to motor on 215T and smaller. Super-E motors are 1.15 service factor and suitable for inverter use.

Hp	RPM	NEMA Frame	Catalog Number	List Price	Mult. Sym.	"C" Dim.	Aprx. Wt. (lb)	Full Load Efficiency	Voltage	Full Load Amps	Brake Rating (b)	Notes (a)
Foot Mounted												
1/2	1800	56	BM3108	908	K	14.14	27	74	230/460	1	3	30, 41
3/4	1800	56	BM3112	1,057	K	14.77	31	75.5	208-230/460	1.5	6	41
1	1800	56	BM3116	1,150	K	15.64	33	78.5	208-230/460	1.7	3	41
		143T	EBM3116T	1,343	L1	16.37	49	87.5	208-230/460	1.5	6	41
1 1/2	1800	145T	EBM3154T	1,488	L1	16.37	48	86.5	230/460	2.2	10	41
2	1800	145T	EBM3157T	1,698	L1	16.37	51	86.5	230/460	2.9	10	41
3	1800	182T	EBM3211T	2,083	L1	19.57	83	89.5	208-230/460	4.2	15	41
5	1800	184T	EBM3218T	2,574	L1	21.52	104	89.5	208-230/460	6.4	25	42
		184T	EBM3248T	2,212	L1	21.06	104	89.5	208-230/460	6.4	15	41
7 1/2	1800	213T	EBM3311T	3,235	L1	24.45	149	91	208-230/460	9.7	35	40
10	1800	215T	EBM3313T	4,064	L1	26.08	159	91.7	208-230/460	12.5	50	42
15	1800	254T	EBM2513T	5,375	L1	29.88	252	93	208-230/460	17.7	75	42
C-Face, Footless												
1/2	1800	56C	VBM3108	929	K	14.36	28	74	230/460	1	3	30, 41
3/4	1800	56C	VBM3112	1,086	K	15.36	31	75.5	208-230/460	1.5	6	41
1	1800	56C	VBM3116	1,175	K	15.36	33	78.5	208-230/460	1.7	6	41
		143TC	VBM3116T	1,269	L1	15.32	42	82.5	208-230/460	1.6	6	41
1 1/2	1800	56C	VBM3154	1,366	K	15.26	44	80	208-230/460	2.5	10	41
		145TC	VBM3154T	1,475	L1	15.37	41	84	208-230/460	2.4	10	41
2	1800	145TC	VBM3157T	1,662	L1	15.87	48	84	208-230/460	3.2	10	41
3	1800	182TC	VBM3211T	2,105	L1	19.57	81	86.5	230/460	46	15	30, 41
5	1800	184TC	VBM3218T	2,612	L1	20.02	84	87.5	208-230/460	7.2	25	42
		184TC	VBM3248T	2,197	L1	19.57	83	87.5	208-230/460	7.2	15	41

(a) See notes on inside back flap.

(b) Brake torque rating in lb.-ft.

If brake motors are to be used with any electronic control, soft start, inverter or vector etc., then brake must be externally connected.

ALL BRAKE MOTORS WITH 20 FT.-LB OR SMALLER BRAKES CAN BE MOUNTED HORIZONTAL OR VERTICAL. FOR LARGER RATINGS CONSULT A BALDOR DISTRICT OFFICE. ALL MOTORS INCLUDE MANUAL RELEASE BRAKES AS STANDARD. BRAKES ON NON-EXPLOSION PROOF MOTORS 10 HP AND BELOW ARE INTERNALLY CONNECTED.

Definite Purpose Motors

Unit Handling Motors

Brake Motors

200 & 575 Volt Motors

IEC Frame Motors

50 Hertz Motors

Inverter/Vector Motors & Controls

DC Motors and Controls

Soft Starters

Gearmotors and Gear Products

BALDOR • RELIANCE

**Three Phase,
Explosion Proof,
C-Face**

1/2 thru 5 Hp

NEMA 56C thru 215TC

Applications: Machine tools, conveyors, door operators, speed reducers, any application requiring quick stops and positive hold.

Features: Spring-set brake. Power off operation manual release. Resets automatically. Explosion proof brakes require external connections. UL and CSA approved for Division 1, Class I, Group D; Class I, Group D, Class II, Group F & G.



Hp	RPM	NEMA Frame	Catalog Number	XP Cls/Grp	Temp Code	List Price	Mult. Sym.	"C" Dim.	Aprx. Wt. (lb)	Full Load Efficiency	Voltage	Full Load Amps	Brake Rating (b)	Notes (a)
1/2	1800	56C	CBM7006	②	T3C	3,306	K	19.44	95	80	208-230/460	0.8	3	41, 60
3/4	1800	56C	CBM7010	①	T2C	3,682	K	19.13	93	78.5	208-230/460	1.4	6	2, 41, 60
1	1800	143TC	CBM7014T	②	T3C	4,244	L1	19.50	95	82.5	208-230/460	1.4	6	2, 41, 60
2	1800	182TC	CBM7023T	①	T2C	5,137	L1	23.24	137	84	230/460	2.9	10	2, 41, 60
3	1800	182TC	CEBM7142T	②	T3C	6,217	L1	26.63	240	91.7	230/460	12	15	41
		215TC	CBM7027T	①	T2C	7,122	L1	27.29	215	84	230/460	4.3	15	2, 40, 60
5	1800	184TC	CEBM7144T	②	T3C	7,489	L1	29.72	289	91.7	230/460	12	25	40

(a) See notes on inside back flap.

(b) Brake torque rating in lb.-ft.

① = Class I, Group D; ② = Class I, Group D, Class II, Group F & G

■ Cast Iron Frame

**Washdown,
Three Phase,
Totally Enclosed,
C-Face,
Foot Mounted**

1/2 thru 5 Hp

NEMA 56C thru 184TC

IP55

Applications: Food processing and other applications where motors receive washdown on a regular basis.

Features: Class F insulated motor with 1.15 service factor or higher that operates within class "B" temperature limits at rated horsepower. Standard NEMA BA dimension, 300 series stainless steel hardware, moisture sealant on bolt heads, between frame and end plates. Neoprene gaskets. Power off manual release. Resets automatically. Motors have NEMA Premium® Efficiency and inverter-ready. 230/460V brakes are connected in conduit box allowing for separate connection when used with an inverter.



Hp	RPM	NEMA Frame	Enclosure	Catalog Number	List Price	Mult. Sym.	"C" Dim.	Aprx. Wt. (lb)	Full Load Efficiency	Voltage	Full Load Amps	Brake Rating (b)	Notes (a)
1/2	1800	56C	TENV	CEWDBM3538	2,025	WD	15.31	42	84	208-230/460	0.9	3	12, 41
3/4	1800	56C	TENV	CEWDBM3542	2,188	WD	15.31	42	84	230/460	1.1	6	12, 30, 41
1	1800	56C	TENV	CEWDBM3546	2,246	WD	16.31	50	85.5	208-230/460	1.5	6	41
		143TC	TENV	CEWDBM3546T	2,269	WD	16.81	51	85.5	208-230/460	1.5	6	41
1 1/2	1800	145TC	TENV	CEWDBM3554T	2,444	WD	18.14	61	86.5	208-230/460	2.1	10	41
2	1800	145TC	TEFC	CEWDBM3558T	2,487	WD	18.56	60	86.5	208-230/460	2.9	10	41
3	1800	182TC	TEFC	CEWDBM3611T	3,009	WD	21.80	93	89.5	208-230/460	4.2	15	41
5	1800	184TC	TEFC	CEWDBM3615T	3,635	WD	23.30	110	89.5	208-230/460	6.7	25	42

(a) See notes on inside back flap.

(b) Brake torque rating in lb.-ft.

Definite Purpose Motors

Unit Handling Motors

Brake Motors

200 & 575 Volt Motors

IEC Frame Motors

50 Hertz Motors

Inverter/Vector Motors & Controls

DC Motors and Controls

Soft Starters

Gearmotors and Gear Products

**Double C-Face
Motor Brake Kits**

Coil Voltage: 115/208-230

Features: Double C-Face coupler brakes. Mounts on motors with C-Face, provides NEMA C-face mounting on brake. Spring set, electrically released.



Brake Rating	Brake Mounting	Catalog Number	List Price	Mult. Sym.	Ap'x. Shpg. Wgt.
3 ft-lb	56C	CBK003-1	670	A8	12
6 ft-lb	56C	CBK006-1	986	A8	12
6 ft-lb	145TC	CBK006-2	986	A8	12
10 ft-lb	145TC	CBK010-1	1,150	A8	12
15 ft-lb	145TC	CBK015-1	2,457	A8	12

Definite Purpose
Motors

Unit Handling
Motors

Brake Motors

200 & 575 Volt
Motors

IEC Frame
Motors

50 Hertz
Motors

Inverter/Vector
Motors & Controls

DC Motors
and Controls

Soft Starters

Gearmotors and
Gear Products

BALDOR • RELIANCE®

200 Volt,
Three Phase,
TEFC, Foot Mounted

1/2 thru 50 Hp

NEMA 56C thru 326T

Applications: Pumps, fans, compressors, blowers, machine tools, conveyors and many other applications requiring 200 volt power.

Features: 1.15 Service Factor, positively locked drive end bearing on 254T and larger, ball bearings, dynamically balanced rotors. Super-E® motors have NEMA Premium® efficiency and 3 year warranty.



Hp	RPM	NEMA Frame	Catalog Number	List Price	Mult. Sym.	"C" Dim.	Aprx. Wt. (lb)	Full Load Efficiency	Voltage	Full Load Amps	Notes (a)
Foot Mounted											
1	1800	143T	EM3546T-8	727	L1	12.31	35	85.5	200	3.5	1, 68
		143T	M3546T-8	493	L1	12.31	33	82.5	200	3.6	68
1 1/2	1800	145T	EM3554T-8	756	L1	13.31	43	86.5	200	5	1, 68
		145T	M3554T-8	503	L1	13.31	39	84	200	5.4	68
2	1800	145T	EM3558T-8	783	L1	13.31	46	86.5	200	6.7	1, 68
		145T	M3558T-8	528	L1	13.31	41	84	200	6.6	68
3	3600	182T	EM3660T-8	1,123	L1	15.24	82	86.5	200	8.8	1, 68
		182T	EM3661T-8	1,155	L1	15.24	96	89.5	200	9.5	1, 68
	1800	182T	EM3611T-8	862	L1	16.55	72	89.5	200	9.7	1, 68
		182T	M3611T-8	624	L1	16.52	64	87.5	200	9.5	1, 68
5	3600	184T	EM3663T-8	1,382	L1	15.24	88	88.5	200	14.5	1, 68
		184T	EM3665T-8	1,156	L1	15.24	108	89.5	200	15.1	1, 68
	1800	184T	M3615T-8	718	L1	16.54	76	87.5	200	15.5	1, 68
7 1/2	3600	213T	EM3769T-8	1,599	L1	18.45	155	89.5	200	21	1, 68
		213T	EM3770T-8	1,541	L1	18.45	170	91.7	200	21.4	1, 68
	1800	213T	M3710T-8	917	L1	17.89	116	89.5	200	23.2	1, 68
10	3600	215T	EM3771T-8	1,875	L1	18.45	182	90.2	200	26.8	1, 68
		215T	EM3774T-8	1,730	L1	18.45	189	91.7	200	28	1, 68
	1800	215T	M3714T-8	1,113	L1	19.01	131	89.5	200	31.3	2, 68
15	3600	254T	EM2394T-8	2,582	L1	23.28	240	91	200	40	1, 68
		254T	EM2333T-8	2,375	L1	23.28	255	92.4	200	42.4	1, 30, 68
	1800	254T	M2333T-8	1,953	L1	21.07	236	91	200	42.5	1, 68
20	3600	256T	EM4106T-8	2,834	L1	23.28	242	91	200	52	1, 24, 69
		256T	EM2334T-8	2,881	L1	23.28	292	93	200	55.2	1, 24, 30, 69
	1800	256T	M2334T-8	2,357	L1	23.28	262	91	200	55	1, 24, 69
25	3600	284TS	EM4107T-8	3,697	L1	24.70	305	91.7	200	65	1, 24, 69
		284T	EM4103T-8	3,767	L1	27.76	382	93.6	200	68.4	1, 24, 69
	1800	284T	M4103T-8	2,915	L1	26.08	333	92.4	200	67	1, 24, 69
30	3600	286TS	EM4108T-8	4,395	L1	24.70	324	91.7	200	76	1, 24, 69
		286T	EM4104T-8	4,470	L1	27.76	413	93.6	200	84	1, 24, 69
	1800	286T	M4104T-8	3,443	L1	26.08	357	92.4	200	83	1, 24, 69
40	1800	324T	EM4110T-8	5,845	L1	30.28	576	94.1	200	111	1, 24, 69
		324T	M4110T-8	4,568	L1	30.39	480	93	200	108	1, 24, 69
50	1800	326T	EM4115T-8	6,387	L1	30.28	621	94.5	200	131	1, 24, 69
		326T	M4115T-8	4,729	L1	30.39	530	93	200	137	1, 24, 69
C-Face, Foot Mounted											
1/2	1800	56C	CM3538-8	473	K	11.35	23	74	200	2.2	
1	1800	56C	CM3546-8	478	K	12.00	29	78.5	200	3.9	

(a) See notes on inside back flap.

■ Cast Iron Frame

Definite Purpose Motors

Unit Handling Motors

Brake Motors

200 & 575 Volt Motors

IEC Frame Motors

50 Hertz Motors

Inverter/Vector Motors & Controls

DC Motors and Controls

Soft Starters

Gearmotors and Gear Products

200 Volt, Three Phase, ODP, Foot Mounted

3/4 thru 100 Hp

NEMA 56 thru 404T

Applications: Pumps, fans, compressors, blowers, machine tools, conveyors and many other applications requiring 200 volt power.

Features: 1.15 Service Factor, positively locked drive end bearing on 254T and larger, ball bearings, dynamically balanced rotors. Super-E® motors have NEMA Premium® efficiency and 3 year warranty.



Hp	RPM	NEMA Frame	Catalog Number	List Price	Mult. Sym.	"C" Dim.	Aprx. Wt. (lb)	Full Load Efficiency	Voltage	Full Load Amps	Notes (a)
1	1800	143T	EM3116T-8	637	L1	11.12	34	85.5	200	3.5	1, 68
		143T	M3116T-8	444	L1	11.12	32	82.5	200	3.6	68
1 1/2	1800	145T	EM3154T-8	665	L1	11.62	37	86.5	200	5.1	1, 68
		145T	M3154T-8	522	L1	11.12	34	84	200	5.5	68
2	1800	145T	EM3157T-8	714	L1	12.12	40	86.5	200	6.5	1, 68
		145T	M3157T-8	530	L1	11.62	38	84	200	7.3	68
3	3600	145T	M3158T-8	615	L1	12.13	45	84	200	8.8	68
	1800	182T	EM3211T-8	769	L1	15.00	71	89.5	200	9.7	1, 68
		182T	M3211T-8	552	L1	14.63	57	86.5	200	9.4	1, 68
5	3600	182T	M3212T-8	637	L1	14.00	56	85.5	200	14.2	68
	1800	184T	EM3218T-8	842	L1	16.50	84	89.5	200	15.3	1, 68
		184T	M3218T-8	612	L1	15.00	71	87.5	200	16.4	1, 68
7 1/2	3600	184T	M3219T-8	873	L1	15.00	69	87.5	200	19.8	1, 68
	1800	213T	EM3311T-8	1,237	L1	16.32	114	91	200	22.2	1, 68
		213T	M3311T-8	866	L1	17.00	96	88.5	200	23	68
10	3600	213T	M3312T-8	1,095	L1	16.32	107	88.5	200	28.5	68
	1800	215T	EM3313T-8	1,496	L1	17.45	129	91.7	200	29.5	1, 68
		215T	M3313T-8	1,060	L1	16.32	116	89.5	200	30.8	68
15	3600	215T	M3314T-8	1,599	L1	16.32	117	89.5	200	41.5	1, 68
	1800	254T	EM2513T-8	2,120	L1	21.69	209	93	200	40.7	1, 68
		254T	M2513T-8	1,602	L1	19.75	155	91	200	43	1, 68
20	3600	254T	EM2514T-8	2,464	L1	21.69	190	91	200	53	1, 24, 69
		256T	M2514T-8	2,045	L1	21.69	194	90.2	200	54	24, 69
	1800	256T	EM2515T-8	2,661	L1	21.69	227	93	200	54.3	1, 24, 69
		256T	M2515T-8	2,062	L1	22.25	197	91	200	58	69
25	3600	256T	EM2516T-8	2,957	L1	21.69	220	91.7	200	65	1, 24, 69
		256T	M2516T-8	2,474	L1	21.69	189	91	200	68	24, 69
	1800	284T	EM2531T-8	3,244	L1	25.06	311	93.6	200	70	1, 24, 69
284T		M2531T-8	2,499	L1	23.44	250	91.7	200	70	24, 69	
30	3600	284TS	M2534T-8	2,619	L1	22.06	275	91	200	81	24, 69
	1800	286T	EM2535T-8	3,548	L1	25.06	278	94.1	200	81	1, 24, 69
		286T	M2535T-8	2,922	L1	24.94	282	92.4	200	83	24, 69
40	3600	286TS	EM2538T-8	4,495	L1	22.44	362	92.4	200	105	1, 24, 69
		286TS	M2538T-8	3,685	L1	23.56	259	91.7	200	104	24, 69
	1800	324T	EM2539T-8	4,629	L1	27.19	434	94.1	200	109	1, 24, 69
		324T	M2539T-8	3,725	L1	26.19	351	93	200	113	24, 69
50	3600	324TS	M2542T-8	3,819	L1	24.69	336	92.4	200	134	24, 69
	1800	326T	EM2543T-8	5,107	L1	27.69	467	94.5	200	132	1, 24, 69
		326T	M2543T-8	4,372	L1	27.19	383	93	200	140	24, 69
60	1800	364T	EM2547T-8	6,431	L1	30.69	623	95	200	160	1, 24, 69
75	1800	365T	EM2551T-8	7,892	L1	29.70	783	95	200	199	1, 24, 69
100	1800	404T	EM2555T-8	9,183	L1	36.97	906	95.4	200	263	1, 24, 69

(a) See notes on inside back flap.

■ Cast Iron Frame

Definite Purpose Motors

Unit Handling Motors

Brake Motors

200 & 575 Volt Motors

IEC Frame Motors

50 Hertz Motors

Inverter/Vector Motors & Controls

DC Motors and Controls

Soft Starters

Gearmotors and Gear Products

200 Volt, F2, Three Phase, ODP, Foot Mounted

Hp	RPM	NEMA Frame	Catalog Number	List Price	Mult. Sym.	"C" Dim.	Aprx. Wt. (lb)	Full Load Efficiency	Voltage	Full Load Amps	Notes (a)
3/4	1800	56	FM3112-8	389	K	10.12	25	74	200	3.2	12, 68
2	1800	145T	EFM3157T-8	714	L1	12.12	43	86.5	200	6.5	1, 68
3	1800	182T	EFM3211T-8	769	L1	15.00	70	89.5	200	9.7	1, 68
5	1800	184T	EFM3218T-8	842	L1	16.50	82	89.5	200	15.3	1, 68
7 1/2	1800	213T	EFM3311T-8	1,237	L1	16.32	111	91	200	22.3	1, 68
		213T	FM3311T-8	866	L1	17.00	96	88.5	200	23	68
10	1800	215T	EFM3313T-8	1,496	L1	17.45	127	91.7	200	29.5	1, 68
		215T	FM3313T-8	1,060	L1	16.32	129	89.5	200	30.8	68
15	1800	254T	EFM2513T-8	2,120	L1	21.69	209	93	200	40.7	1, 68
		254T	FM2513T-8	1,602	L1	19.75	155	91	200	43	1, 68
20	1800	256T	EFM2515T-8	2,661	L1	21.69	226	93	200	54.3	1, 24, 69
		256T	FM2515T-8	2,062	L1	22.25	197	91	200	58	69

(a) See notes on inside back flap.

Definite Purpose Motors

Unit Handling Motors

Brake Motors

200 & 575 Volt Motors

IEC Frame Motors

50 Hertz Motors

Inverter/Vector Motors & Controls

DC Motors and Controls

Soft Starters

Gearmotors and Gear Products

**575 Volt,
Three Phase,
TEFC, Foot Mounted**

1/3 thru 150 Hp

NEMA 56 thru 445T

Applications: Pumps, compressors, fans, conveyors, machine tools and other applications where 575 volt three phase power is available.

Features: Ball bearings. Mount in any position. Heavy-gauge steel and cast iron frames. EM Super-E® motors have NEMA Premium® efficiency and 3 year warranty.



Hp	RPM	NEMA Frame	Catalog Number	List Price	Mult. Sym.	"C" Dim.	Aprx. Wt. (lb)	Full Load Efficiency	Voltage	Full Load Amps	Notes (a)
1/3	1800	56	M3534-5	340	LS	11.35	20	68	575	0.6	1, 13
	3600	56	M3537-5	366	K	11.35	19	68	575	0.8	1, 12
1/2	1800	56	M3538-5	389	LS	11.35	22	74	575	0.8	1, 12
	1200	56	M3539-5	586	K	11.35	23	72	575	1	1, 12
3/4	3600	56	M3541-5	403	K	11.35	21	74	575	1	1, 12
	1800	56	M3542-5	416	LS	11.35	26	75.5	575	1.2	1, 12
	1200	56/56H	M3543-5	598	K	12.84	33	77	575	1.2	
		143T	M3543T-5	598	L1	13.41	34	77	575	1.2	1
1	3600	56	M3545-5	472	K	11.35	23	75.5	575	1.4	1, 12
	1800	56	M3546-5	433	LS	12.23	29	75.5	575	1.5	
		143T	EM3546T-5	706	LS	12.31	34	85.5	575	1.2	1
	1200	56/56H	M3556-5	608	K	12.93	37	78.5	575	1.5	
145T		EM3556T-5	846	L1	13.31	40	82.5	575	1.4	1	
1 1/2	3600	143T	EM3550T-5	726	L1	12.31	36	84	575	1.5	1
	1800	145T	EM3554T-5	734	LS	13.31	42	86.5	575	1.8	1
	1200	182T	EM3607T-5	989	L1	16.55	73	87.5	575	1.9	1
2	3600	56/56H	M3555-5	579	K	12.93	40	78.5	575	2.2	
		145T	EM3555T-5	795	L1	13.31	43	85.5	575	2	1
	1800	56/56H	M3558-5	528	LS	12.93	40	82.5	575	2.4	
		145T	EM3558T-5	761	LS	13.31	46	86.5	575	2.3	1
3	3600	56/56H	M3559-5	673	K	13.81	50	82.5	575	3	
		145T	EM3559T-5	892	L1	14.19	60	86.5	575	2.9	
	1800	182T	EM3611T-5	840	LS	16.55	73	89.5	575	3.3	1
		182T	EM3661T-5	1,127	L1	15.24	97	89.5	575	3.3	1
5	3600	213T	EM3704T-5	1,349	L1	19.01	129	89.5	575	3.7	1
		184T	EM3613T-5	978	L1	16.54	75	88.5	575	4.7	1
	1800	184T	EM3615T-5	919	LS	18.05	89	89.5	575	5.3	1
		184T	EM3665T-5	1,153	L1	15.24	108	89.5	575	5.3	1
7 1/2	3600	215T	EM3708T-5	1,524	L1	19.76	154	89.5	575	5.8	1
		184T	EM3616T-5	1,290	L1	18.05	98	89.5	575	6.8	1
	1800	213T	EM3709T-5	1,465	L1	17.89	115	89.5	575	7	1
		213T	EM3710T-5	1,326	LS	19.02	123	91.7	575	7.6	1
10	1800	213T	EM3770T-5	1,504	L1	18.45	170	91.7	575	7.5	1
		215T	EM3711T-5	1,485	L1	17.89	119	90.2	575	9.5	1
		215T	EM3714T-5	1,497	LS	20.52	165	91.7	575	9.6	1
			EM3774T-5	1,687	L1	18.45	185	91.7	575	9.8	1

(a) See notes on inside back flap.

■ Cast Iron Frame

Definite Purpose Motors

Unit Handling Motors

Brake Motors

200 & 575 Volt Motors

IEC Frame Motors

50 Hertz Motors

Inverter/Vector Motors & Controls

DC Motors and Controls

Soft Starters

Gearmotors and Gear Products

575 Volt, Three Phase, TEFC, Foot Mounted

Hp	RPM	NEMA Frame	Catalog Number	List Price	Mult. Sym.	"C" Dim.	Aprx. Wt. (lb)	Full Load Efficiency	Voltage	Full Load Amps	Notes (a)
15	3600	215T	EM3713T-5	2,095	L1	20.52	169	91	575	13.6	1
		254T	EM2394T-5	2,520	L1	23.28	245	91	575	14.1	1
	1800	254T	EM2333T-5	2,306	LS	23.28	258	92.4	575	14.5	1
20	3600	256T	EM4106T-5	2,766	L1	23.28	252	91	575	18.2	1
	1800	256T	EM2334T-5	2,796	LS	23.28	290	93	575	19.2	1
25	3600	284TS	EM4107T-5	3,609	L1	24.70	335	91.7	575	22	1
	1800	284T	EM4103T-5	3,657	LS	27.76	380	93.6	575	23	1
30	3600	286TS	EM4108T-5	4,288	L1	24.70	331	91.7	575	26.5	1
	1800	286T	EM4104T-5	4,338	LS	27.76	408	93.6	575	29	1
40	3600	324TS	EM4109T-5	5,877	L1	28.78	522	92.4	575	37	1
	1800	324T	EM4110T-5	5,673	LS	30.28	575	94.1	575	39	1
50	3600	326TS	EM4114T-5	6,429	L1	28.78	574	93	575	45	1
	1800	326T	EM4115T-5	6,199	LS	30.28	623	94.5	575	46	1
60	1800	364T	EM4314T-5	8,919	LS	33.48	919	95	575	54.4	1
75	1800	365T	EM4316T-5	10,429	LS	33.48	958	95.4	575	68.7	1
100	1800	405T	EM4400T-5	12,952	LS	38.06	1208	95.4	575	89.6	1
125	1800	444T	EM4410T-5	16,033	LS	44.75	2041	95.4	575	115	1
		444T	EM4410T-5E	16,033	LS	44.62	1626	95.8	575	111	1, 56
		444T	EM4910T-5	16,033	LS	44.75	2041	95.4	575	115	1, 99
150	1800	445T	EM4406T-5E	18,443	LS	44.62	1770	96.2	575	132	1, 56
		445T	EM4406T-5	18,443	LS	44.75	2151	95.8	575	135	1
		445T	EM4906T-5	18,443	LS	44.75	1826	95.8	575	135	1, 99

(a) See notes on inside back flap.

■ Cast Iron Frame

Definite Purpose Motors

Unit Handling Motors

Brake Motors

200 & 575 Volt Motors

IEC Frame Motors

50 Hertz Motors

Inverter/Vector Motors & Controls

DC Motors and Controls

Soft Starters

Gearmotors and Gear Products

575 Volt,
Three Phase,
TEFC, C-Face

1/3 thru 30 Hp

NEMA 56C thru 286TC

Applications: Pumps, fans, compressors, blowers, machine tools, conveyors and many applications requiring 575 volt power.

Features: 1.15 Service Factor. Positively locked drive end ball bearing, dynamically balanced rotors. CEM Super-E® motors have NEMA Premium® efficiency and 3 year warranty.



Hp	RPM	NEMA Frame	Catalog Number	List Price	Mult. Sym.	"C" Dim.	Aprx. Wt. (lb)	Full Load Efficiency	Voltage	Full Load Amps	Notes (a)
C-Face, Foot Mounted											
1/3	1800	56C	CM3534-5	377	LS	11.35	21	68	575	0.6	13
1/2	1800	56C	CM3538-5	417	LS	11.35	23	74	575	0.8	12
3/4	1800	56C	CM3542-5	443	LS	11.35	26	75.5	575	1.2	12
1	1800	56C	CM3546-5	476	K	11.97	29	78.5	575	1.3	
		143TC	CEM3546T-5	741	LS	13.29	37	85.5	575	1.2	1
		143TC	CEM3581T-5	972	L1	13.03	54	85.5	575	1.2	1
1 1/2	1800	143TC	CEM3583T-5	1,073	L1	13.03	54	84	575	1.5	1
		56C	CM3554-5	518	K	12.23	35	81.5	575	1.8	
		145TC	CEM3554T-5	769	LS	13.29	42	86.5	575	1.8	1
2	1800	145TC	CEM3584T-5	1,005	L1	13.03	63	86.5	575	1.8	1
		3600	CEM3586T-5	1,076	L1	13.03	60	85.5	575	2	1
		56C	CM3558-5	555	K	13.23	41	82.5	575	2.4	
3	1800	145TC	CEM3558T-5	796	LS	13.29	47	86.5	575	2.3	1
		145TC	CEM3587T-5	1,052	L1	13.03	61	86.5	575	2.3	1
		145TC	CEM3559T-5	927	L1	14.17	52	86.5	575	2.9	1
5	1800	182TC	CEM3610T-5	954	L1	16.53	58	86.5	575	2.9	1
		182TC	CEM3660T-5	1,196	L1	16.00	89	86.5	575	3	1
		182TC	CEM3611T-5	912	LS	16.55	75	89.5	575	3.3	1
7 1/2	1800	182TC	CEM3661T-5	1,226	L1	16.00	102	89.5	575	3.3	1
		3600	CEM3613T-5	1,051	L1	16.55	78	88.5	575	4.7	1
		184TC	CEM3663T-5	1,450	L1	16.00	95	88.5	575	5.1	1
10	1800	184TC	CEM3615T-5	991	LS	18.05	93	89.5	575	5.3	1
		184TC	CEM3665T-5	1,252	L1	16.00	113	89.5	575	5.3	1
		3600	CEM3769T-5	1,759	L1	19.20	179	89.5	575	7.4	1
15	1800	213TC	CEM3710T-5	1,460	LS	19.76	129	91.7	575	7.6	1
		213TC	CEM3770T-5	1,703	L1	19.20	170	91.7	575	7.5	1
		215TC	CEM3711T-5	1,620	L1	18.63	123	90.2	575	9.5	1
20	1800	215TC	CEM3771T-5	2,028	L1	19.20	182	90.2	575	9.3	1
		215TC	CEM3714T-5	1,629	LS	21.26	165	91.7	575	9.6	1
		215TC	CEM3774T-5	1,886	L1	19.20	231	91.7	575	9.8	1
25	1800	215TC	CEM3713T-5	2,229	L1	21.26	169	91	575	13.6	1
		254TC	CEM2333T-5	3,339	LS	23.78	263	92.4	575	14.5	1
30	1800	284TC	CEM2334T-5	3,409	L1	23.78	289	93	575	19	1
30	1800	286TC	CEM4103T-5	4,508	L1	27.76	401	93.6	575	23	1
30	1800	286TC	CEM4104T-5	5,160	L1	27.76	449	93.6	575	28	1

(a) See notes on inside back flap.

■ Cast Iron Frame

Definite Purpose Motors

Unit Handling Motors

Brake Motors

200 & 575 Volt Motors

IEC Frame Motors

50 Hertz Motors

Inverter/Vector Motors & Controls

DC Motors and Controls

Soft Starters

Gearmotors and Gear Products

BALDOR • RELIANCE®

575 Volt, Three Phase, TEFC, C-Face

Hp	RPM	NEMA Frame	Catalog Number	List Price	Mult. Sym.	"C" Dim.	Aprx. Wt. (lb)	Full Load Efficiency	Voltage	Full Load Amps	Notes (a)
C-Face, Footless											
1/3	1800	56C	VM3534-5	356	LS	11.35	21	68	575	0.6	13
	3600	56C	VM3537-5	386	K	11.35	19	68	575	0.8	12
1/2	1800	56C	VM3538-5	408	LS	11.35	22	74	575	0.8	12
	3600	56C	VM3541-5	422	K	11.35	21	74	575	0.9	12
3/4	1800	56C	VM3542-5	434	LS	11.35	26	75.5	575	1.2	12
	3600	56C	VM3545-5	494	K	11.35	23	75.5	575	1.4	12
1	1800	56C	VM3546-5	760	LS	12.23	35	85.5	575	1.2	
		56C	VM3546-5	453	LS	12.23	31	75.5	575	1.5	
		143TC	VM3546T-5	775	LS	12.29	36	85.5	575	1.2	
		143TC	VM3581T-5	968	L1	13.03	53	85.5	575	1.2	1
		143TC	VM3546T-5	551	LS	12.31	33	82.5	575	1.3	
1 1/2	3600	56C	VM3550-5	537	K	11.97	29	80	575	1.8	
		143TC	VM3550T-5	757	L1	12.29	35	84	575	1.5	
		143TC	VM3550T-5	623	L1	12.29	37	82.5	575	1.6	
	1800	56C	VM3554-5	509	LS	12.23	36	81.5	575	1.8	
		145TC	VM3554T-5	809	LS	13.29	41	86.5	575	1.8	
		145TC	VM3584T-5	970	L1	13.03	58	86.5	575	1.8	1
2	1800	56C	VM3555-5	598	K	12.85	33	80	575	2.2	
		56C	VM3558-5	546	LS	13.23	40	82.5	575	2.4	
		145TC	VM3558T-5	832	LS	13.29	46	86.5	575	2.3	
		143TC	VM3587T-5	1,045	L1	13.03	60	86.5	575	2.3	1
		145TC	VM3558T-5	589	LS	13.31	38	84	575	2.5	
3	3600	56C	VM3559-5	693	K	13.23	45	82.5	575	3	1
		182TC	VM3610T-5	938	L1	15.18	53	86.5	575	2.9	
	1800	182TC	VM3610T-5	887	L1	15.18	56	85.5	575	3	1
		182TC	VM3611T-5	1,030	L1	16.55	71	89.5	575	3.3	
		182TC	VM3661T-5	1,237	L1	16.00	98	89.5	575	3.3	1
		182TC	VM3611T-5	711	LS	16.55	63	87.5	575	3.3	1
5	3600	182TC	VM3613T-5	1,035	L1	16.55	74	88.5	575	4.7	
		184TC	VM3613T-5	1,010	L1	16.55	73	87.5	575	4.8	1
	1800	184TC	VM3615T-5	1,123	L1	18.05	88	89.5	575	5.3	
		184TC	VM3665T-5	1,237	L1	16.00	110	89.5	575	5.3	1
		184TC	VM3615T-5	814	LS	16.55	75	87.5	575	5.5	1
7 1/2	3600	213TC	VM3709T-5	1,580	L1	19.28	101	89.5	575	6.8	
		213TC	VM3709T-5	1,527	L1	19.28	91	88.5	575	7	1
	1800	213TC	VM3710T-5	1,438	L1	19.76	123	91.7	575	7.6	
		213TC	VM3770T-5	1,680	L1	19.20	170	91.7	575	7.5	1
		213TC	VM3710T-5	1,086	LS	18.63	114	89.5	575	8.1	1
10	3600	215TC	VM3711T-5	1,596	L1	18.63	118	90.2	575	9.5	
		215TC	VM3711T-5	1,588	L1	18.63	115	89.5	575	9.6	1
	1800	215TC	VM3714T-5	1,607	L1	21.26	165	91.7	575	9.6	
		215TC	VM3774T-5	1,864	L1	19.20	231	91.7	575	9.8	
		215TC	VM3714T-5	1,293	LS	19.76	127	89.5	575	10.8	1
15	3600	215TC	VM3713T-5	2,211	L1	21.26	169	91	575	13.6	
		215TC	VM3713T-5	1,983	L1	20.51	170	90.2	575	13.8	1
	1800	254TC	VM2333T-5	3,134	L1	23.80	266	92.4	575	14.5	
20	1800	254TC	VM2333T-5	2,515	LS	23.80	271	91	575	14.5	1
		256TC	VM2334T-5	3,699	L1	23.66	296	93	575	19.2	
		256TC	VM2334T-5	2,944	LS	23.80	271	91	575	19.3	1

(a) See notes on inside back flap.

■ Cast Iron Frame

Definite Purpose Motors

Unit Handling Motors

Brake Motors

200 & 575 Volt Motors

IEC Frame Motors

50 Hertz Motors

Inverter/Vector Motors & Controls

DC Motors and Controls

Soft Starters

Gearmotors and Gear Products

**Premium Efficient,
Severe Duty,
575 Volt,
Three Phase,
TEFC**

1 thru 200 Hp

NEMA 143T thru 447T

IP55

Define Purpose
Motors

Unit Handling
Motors

Brake Motors

200 & 575 Volt
Motors

IEC Frame
Motors

50 Hertz
Motors

Inverter/Vector
Motors & Controls

DC Motors
and Controls

Soft Starters

Gearmotors and
Gear Products



Applications: Designed for 600V distribution systems for use in Petro-chemical plants, mines, quarries, foundries, pulp and paper plants, waste management facilities, chemical plants, and other processing industry applications requiring protection against corrosion caused by severe environmental operating conditions.

Features: Totally enclosed cast iron construction, Premium insulation system, Sealed frame fits, Gasketed conduit box, V-Ring shaft slinger, Stainless Steel nameplates, Corrosion resistant epoxy finish and Corrosion resistant hardware. Super-E® severe duty motors have NEMA Premium® efficiency, Class F insulation, 1.15 service factor and 3 year warranty. Positive lubrication system (PLS) on 250 frames and larger. Motors are marked for Division 2/Zone 2, Class I locations. Inverter Ready design with speed range and Inverter T. Code nameplate information, see chart on page 51 for specific motor information.

Hp	RPM	NEMA Frame	Catalog Number	List Price	Mult. Sym.	"C" Dim.	Aprx. Wt. (lb)	Full Load Efficiency	Voltage	Full Load Amps	Notes (a)
1	3600	143T	ECP3580T-5	950	SD	12.95	61	84	575	1.1	1
	1800	143T	ECP3581T-5	1,044	SD	12.95	65	87.5	575	1.2	1
1 1/2	1800	145T	ECP3584T-5	1,063	SD	12.95	71	88.5	575	1.7	1
2	1800	145T	ECP3587T-5	1,110	SD	12.95	75	88.5	575	2.3	1
3	3600	182T	ECP3660T-5	1,336	SD	15.93	107	88.5	575	2.7	1
	1800	182T	ECP3661T-5	1,404	SD	15.93	113	89.5	575	3.3	1
	1200	213T	ECP3764T-5	1,971	SD	19.50	211	90.2	575	3.6	1
5	3600	184T	ECP3663T-5	1,644	SD	15.93	111	89.5	575	4.6	1
	1800	184T	ECP3665T-5	1,429	SD	15.93	118	89.5	575	5.3	1
	1200	215T	ECP3768T-5	1,998	SD	19.50	196	90.2	575	5.8	1
7 1/2	3600	213T	ECP3769T-5	2,145	SD	19.50	169	91.7	575	6.9	1
	1800	213T	ECP3770T-5	1,799	SD	19.50	170	91.7	575	7.5	1
	1200	254T	ECP2276T-5	2,858	SD	24.78	333	91.7	575	8.7	1
10	3600	215T	ECP3771T-5	2,284	SD	19.50	182	92.4	575	8.9	1
	1800	215T	ECP3774T-5	2,154	SD	19.50	231	92.4	575	10	1
	1200	256T	ECP2332T-5	3,713	SD	24.78	347	91.7	575	11.5	1
15	3600	254T	ECP2394T-5	2,922	SD	24.78	239	91.7	575	13.8	1
	1800	254T	ECP2333T-5	2,745	SD	24.78	297	92.4	575	14.5	1
	1200	284T	ECP4100T-5	4,257	SD	27.93	446	93	575	15.9	1
20	3600	256T	ECP4106T-5	3,408	SD	24.78	310	91.7	575	17.8	1
	1800	256T	ECP2334T-5	2,944	SD	24.78	325	93	575	19.2	1
	1200	286T	ECP4102T-5	5,784	SD	27.93	478	93	575	20.6	1
25	1800	284T	ECP4103T-5	3,852	SD	27.93	424	93.6	575	23	1
	1200	324T	ECP4111T-5	6,044	SD	30.27	612	93	575	25.7	1
30	1800	286T	ECP4104T-5	4,574	SD	27.93	467	94.1	575	29	1
40	1800	324T	ECP4110T-5	5,984	SD	30.27	623	94.5	575	36.8	1
50	1800	326T	ECP4115T-5	7,024	SD	30.27	652	94.5	575	45	1
60	1800	364T	ECP4314T-5	9,414	SD	33.49	936	95	575	54.4	1
75	1800	365T	ECP4316T-5	11,000	SD	33.49	966	95.4	575	68.7	1
100	1800	405T	ECP4400T-5	14,439	SD	38.32	1305	95.4	575	89.6	1
125	1800	444T	ECP4410T-5	17,070	SD	44.75	2054	95.4	575	115	1
		444T	ECP4410T-5E	17,070	SD	44.62	1764	95.4	575	112	1, 56
		444T	ECP4910T-5	17,070	SD	44.75	2054	95.4	575	115	1, 99
150	1800	445T	ECP4406T-5	19,997	SD	44.75	2175	95.8	575	135	1
		445T	ECP4906T-5	19,997	SD	44.75	1826	95.8	575	135	1, 99
200	1800	447T	ECP4407T-5	24,056	SD	48.24	2570	96.2	575	178	1
		447T	ECP4907T-5	24,056	SD	48.24	2676	96.2	575	178	1, 99

(a) See notes on inside back.

All ratings are 1.15 service factor at 40°C ambient.

All ratings meet the intent of IEEE-45 for weather protection, and are suitable for use in a 50°C ambient with a 1.0 service factor.

Cast Iron Frame

Red Catalog Number indicates NEW Product.

**IEEE 841,
575 Volts,
Three Phase,
TEFC**

1 thru 250 Hp

NEMA 143T thru 449T

IP56

Applications: Designed for 600V distribution systems for use in Petro-chemical, pulp and paper, cement, aggregate mining and other process industries requiring premium efficient motors designed, manufactured and tested to exceed IEEE 841-2009 TEFC motor standards for extreme severe duty service.

Features: Meets and/or exceeds all requirements of IEEE Std. 841-2009 including: Totally enclosed cast iron construction, Lower vibration design, Inpro Seals and Positive Lubrication System with oversize bearings on both ends, Stainless Steel nameplates, Terminal lugs on motor leads, Corrosion resistant epoxy finish, NEMA Premium efficiency, Class F insulation with a Class B temperature Rise, 1.15 service factor and 5 year warranty. Final test and vibration results provided with motor. Motors are marked for Div.2/Zone 2, Class I locations and are designed to meet 200° C @ 1.0 Service Factor. Inverter Ready design with speed range and Inverter T. Code nameplate information, see chart on page 51 for specific motor information.



Hp	RPM	NEMA Frame	Catalog Number	List Price	Mult. Sym.	"C" Dim.	Aprx. Wt. (lb)	Full Load Efficiency	Voltage	Full Load Amps	Notes (a)
Foot Mounted											
1	3600	143T	ECP83580T-5	1,043	SD	12.88	53	84	575	1.1	1
	1800	143T	ECP83581T-5	1,145	SD	12.87	67	87.5	575	1.2	1
	1200	145T	ECP83582T-5	1,228	SD	12.88	69	82.5	575	1.4	1
1 1/2	3600	143T	ECP83583T-5	1,120	SD	12.88	71	85.5	575	1.6	1
	1800	145T	ECP83584T-5	1,165	SD	12.87	73	88.5	575	1.7	1
	1200	182T	ECP83667T-5	1,414	SD	15.93	112	87.5	575	2	1
2	3600	145T	ECP83586T-5	1,161	SD	12.88	79	86.5	575	1.9	1
	1800	145T	ECP83587T-5	1,217	SD	12.87	77	88.5	575	2.3	1
	1200	184T	ECP83664T-5	1,537	SD	15.93	128	88.5	575	2.5	1
3	3600	182T	ECP83660T-5	1,465	SD	15.93	116	88.5	575	2.7	1
	1800	182T	ECP83661T-5	1,541	SD	15.93	118	89.5	575	3.3	1
	1200	213T	ECP83764T-5	2,143	SD	19.50	211	89.5	575	3.6	1
5	3600	184T	ECP83663T-5	1,805	SD	15.93	130	89.5	575	4.5	1
	1800	184T	ECP83665T-5	1,570	SD	15.93	127	89.5	575	5.3	1
	1200	215T	ECP83768T-5	2,215	SD	19.50	226	89.5	575	5.7	1
7 1/2	3600	213T	ECP83769T-5	2,356	SD	19.50	179	91.7	575	6.9	1
	1800	213T	ECP83770T-5	1,978	SD	19.50	199	91.7	575	7.6	1
	1200	254T	ECP82276T-5	3,352	SD	24.78	348	91.7	575	8.4	1
10	3600	215T	ECP83771T-5	2,508	SD	19.50	225	90.2	575	9	1
	1800	215T	ECP83774T-5	2,342	SD	19.50	231	91.7	575	9.8	1
	1200	256T	ECP82332T-5	4,079	SD	24.78	355	91.7	575	11.4	1
15	3600	254T	ECP82394T-5	3,264	SD	24.78	305	91.7	575	13.8	1
	1800	254T	ECP82333T-5	3,015	SD	24.78	318	92.4	575	14.1	1
	1200	284T	ECP84100T-5	4,712	SD	27.93	445	92.4	575	15.6	1
20	3600	256T	ECP84106T-5	3,742	SD	24.78	324	91.7	575	17.8	1
	1800	256T	ECP82334T-5	3,260	SD	24.78	361	93	575	19	1
	1200	286T	ECP84102T-5	6,350	SD	27.93	443	92.4	575	21	1
25	3600	284TS	ECP84107T-5	4,575	SD	26.56	429	91.7	575	22.8	1
	1800	284T	ECP84103T-5	4,228	SD	27.93	443	93.6	575	23	1
	1200	324T	ECP84111T-5	6,692	SD	30.66	623	93	575	25.4	1
30	3600	286TS	ECP84108T-5	5,480	SD	26.56	422	91.7	575	26.6	1
	1800	286T	ECP84104T-5	4,979	SD	27.93	480	93.6	575	28	1
	1200	326T	ECP84117T-5	8,709	SD	30.66	635	93	575	30.9	1
40	3600	324TS	ECP84109T-5	7,498	SD	29.16	624	92.4	575	35	1
	1800	324T	ECP84110T-5	6,629	SD	30.66	635	94.5	575	37	1
	1200	364T	ECP84308T-5	10,662	SD	33.49	922	94.1	575	39.5	1
50	3600	326TS	ECP84114T-5	7,821	SD	29.16	662	93	575	44	1
	1800	326T	ECP84115T-5	7,783	SD	30.66	653	94.5	575	45	1
	1200	365T	ECP84312T-5	11,355	SD	33.49	924	94.1	575	49.3	1

(a) See notes on inside back flap.

Cast Iron Frame

All ratings meet the intent of IEEE-45 for weather protection, and are suitable for use in a 50°C ambient with a 1.0 service factor.

IEEE 841, 575 Volts, Three Phase, Totally Enclosed, Foot Mounted

Hp	RPM	NEMA Frame	Catalog Number	List Price	Mult. Sym.	"C" Dim.	Aprx. Wt. (lb)	Full Load Efficiency	Voltage	Full Load Amps	Notes (a)
60	3600	364TS	ECP84310T-5	11,558	SD	31.37	932	95	575	52	1
	1800	364T	ECP84314T-5	10,335	SD	33.49	937	95	575	54.4	1
	1200	404T	ECP84403T-5	14,718	SD	38.20	1275	95	575	55.2	1
75	3600	365TS	ECP84313T-5	12,802	SD	31.37	998	95	575	64.5	1
	1800	365T	ECP84316T-5	12,019	SD	33.49	985	95.4	575	68.7	1
	1200	405T	ECP84404T-5	17,827	SD	38.32	1283	94.5	575	69.4	1
100	3600	405TS	ECP84402T-5	15,341	SD	35.31	1287	95	575	88	1
	1800	405T	ECP84400T-5	16,043	SD	38.20	1304	95.4	575	89.6	1
	1200	444T	ECP84409T-5	19,609	SD	44.75	1885	95	575	92	1
125	3600	444TS	ECP84412T-5	17,941	SD	40.98	1799	95.4	575	109	1
		444TS	ECP84412T-5E	17,941	SD	40.88	1740	95.4	575	109	1, 56
	1800	444T	ECP84410T-5	18,198	SD	44.75	1915	95.8	575	111	1
		444T	ECP84410T-5E	18,198	SD	44.62	1802	95.8	575	111	1, 56
	1200	445T	ECP84411T-5	22,257	SD	44.75	2000	95.4	575	114	1
150	3600	445TS	ECP84413T-5	20,617	SD	40.98	2062	96.2	575	131	1
	1800	445T	ECP84406T-5	21,521	SD	44.75	1886	96.2	575	132	1
		445T	ECP84406T-5E	21,521	SD	44.62	1879	96.2	575	132	1, 56
	1200	447T	ECP844156TR-5	25,964	SD	48.24	2595	95.8	575	136	1, 5
		447T	ECP849156TR-5	25,964	SD	48.24	2000	95.8	575	136	1, 5, 99
200	3600	447TS	ECP84416T-5	27,256	SD	44.48	2182	96.2	575	177	1
	1800	447T	ECP84407T-5	25,892	SD	48.24	2606	96.2	575	178	1
		447T	ECP84407TR-5	27,119	SD	48.24	2618	96.2	575	178	1, 5
		447T	ECP84907T-5	25,892	SD	48.24	2676	96.2	575	178	1, 99
		447T	ECP84907TR-5	27,119	SD	48.24	2676	96.2	575	178	1, 5, 99
	1200	449T	ECP844206TR-5	34,092	SD	53.24	3100	95.8	575	180	1, 5
250	3600	449TS	ECP844252T-5	43,915	SD	49.48	2784	96.2	575	212	1
		449TS	ECP849252T-5	43,915	SD	49.48	2595	96.2	575	212	1, 99
	1800	449T	ECP84408T-5	33,052	SD	53.24	2932	96.2	575	220	1
		449T	ECP84408TR-5	34,246	SD	53.24	2732	96.2	575	220	1, 5
		449T	ECP84908T-5	33,052	SD	53.24	2941	96.2	575	220	1, 99
		449T	ECP84908TR-5	34,246	SD	53.24	2677	96.2	575	220	1, 5, 99

C-Face, Foot Mounted

1	1800	143TC	CECP83581T-5	1,190	SD	13.38	71	87.5	575	1.2	1
2	1800	145TC	CECP83587T-5	1,262	SD	13.38	80	88.5	575	2.3	1
3	1800	182TC	CECP83661T-5	1,644	SD	16.69	111	89.5	575	3.3	1
5	1800	184TC	CECP83665T-5	1,653	SD	16.69	131	89.5	575	5.3	1
7 1/2	1800	213TC	CECP83770T-5	2,094	SD	20.23	211	91.7	575	7.6	1
10	1800	215TC	CECP83774T-5	2,531	SD	20.23	231	91.7	575	9.8	1
15	1800	254TC	CECP82333T-5	3,465	SD	25.28	309	92.4	575	14.1	1
20	1800	256TC	CECP82334T-5	3,666	SD	25.28	357	93	575	19	1
25	1800	284TC	CECP84103T-5	5,145	SD	27.93	444	93.6	575	23	1
30	1800	286TC	CECP84104T-5	5,892	SD	27.93	487	93.6	575	28	1
40	1800	324TC	CECP84110T-5	7,637	SD	30.66	670	94.5	575	36.8	1
50	1800	326TC	CECP84115T-5	8,790	SD	30.66	663	94.5	575	45	1

(a) See notes on inside back flap.

Cast Iron Frame

Red Catalog Number indicates **NEW** Product.

All ratings meet the intent of IEEE-45 for weather protection, and are suitable for use in a 50°C ambient with a 1.0 service factor.

Definite Purpose Motors

Unit Handling Motors

Brake Motors

200 & 575 Volt Motors

IEC Frame Motors

50 Hertz Motors

Inverter/Vector Motors & Controls

DC Motors and Controls

Soft Starters

Gearmotors and Gear Products

**575 Volt,
Three Phase,
C-Face, Washdown,
Totally Enclosed**

1/2 thru 20 Hp

NEMA 56C thru 256TC

IP55

Applications: Food processing and other applications where motors receive washdown on a regular basis.



Features: 300 series stainless steel hardware, moisture sealant on bolt heads, between frame and endplates. Neoprene gaskets. Double sealed ball bearings. Lip and V-Ring seal on drive end. Stainless steel shaft extension. Electrostatically applied epoxy finish. Class F insulation. Super-E® motors have NEMA Premium® efficiency and 3 year warranty.

Hp	RPM	NEMA Frame	Enclosure	Catalog Number	List Price	Mult. Sym.	"C" Dim.	Aprx. Wt. (lb)	Full Load Efficiency	Voltage	Full Load Amps	Notes (a)
575 Volt												
1/2	1800	56C	TENV	CWDM3538-5	654	WD	11.07	26	80	575	0.7	1, 12
3/4	1800	56C	TENV	CWDM3542-5	709	WD	11.06	35	78.5	575	1.1	1, 12
1	1800	56C	TENV	CEWDM3546-5	1,044	WD	12.06	39	85.5	575	1.2	
		56C	TENV	CWDM3546-5	760	WD	11.06	35	82.5	575	1.2	1
		143TC	TENV	CEWDM3546T-5	1,065	WD	12.12	38	85.5	575	1.2	
1 1/2	1800	56C	TEFC	CWDM3554-5	800	WD	13.24	40	84	575	1.9	1
		145TC	TENV	CEWDM3554T-5	1,115	WD	13.00	46	86.5	575	1.7	1
		145TC	TENV	CWDM3554T-5	823	WD	12.12	42	85.5	575	1.8	
2	1800	56C	TEFC	CWDM3558-5	883	WD	13.24	39	84	575	2.5	1
		145TC	TEFC	CEWDM3558T-5	1,229	WD	13.28	46	86.5	575	2.3	1
3	3600	145TC	TEFC	CEWDM3559T-5	1,451	WD	14.17	52	86.5	575	2.9	1
	1800	182TC	TEFC	CEWDM3611T-5	1,614	WD	16.54	77	89.5	575	3.3	1
5	3600	184TC	TEFC	CEWDM3613T-5	1,920	WD	16.54	70	88.5	575	4.7	1
	1800	184TC	TEFC	CEWDM3615T-5	1,829	WD	18.04	94	89.5	575	5.3	1
7 1/2	1800	213TC	TEFC	CEWDM3710T-5	2,314	WD	19.78	195	91.7	575	7.6	1
10	1800	215TC	TEFC	CEWDM3714T-5	2,630	WD	21.27	165	91.7	575	9.6	1
15	1800	254TC	TEFC	CEWDM23933T-5	5,172	WD	23.57	258	92.4	575	14.5	1
20	1800	256TC	TEFC	CEWDM23934T-5	5,998	WD	23.57	289	93	575	19	1
C-Face, Footless												
1/2	1800	56C	TENV	VWDM3538-5	649	WD	11.06	28	80	575	0.7	1
3/4	1800	56C	TENV	VWDM3542-5	705	WD	11.06	32	80	575	0.9	1
1	1800	56C	TENV	VWDM3546-5	755	WD	11.06	33	82.5	575	1.2	1
1 1/2	1800	145TC	TENV	VWDM3554T-5	815	WD	12.12	42	85.5	575	1.8	1
2	1800	145TC	TEFC	VWDM3558T-5	926	WD	13.28	41	84	575	2.2	1

(a) See notes on inside back flap.

Red catalog number indicates **NEW** product.

Definite Purpose Motors

Unit Handling Motors

Brake Motors

200 & 575 Volt Motors

IEC Frame Motors

50 Hertz Motors

Inverter/Vector Motors & Controls

DC Motors and Controls

Soft Starters

Gearmotors and Gear Products

**575 Volt,
Stainless Steel,
Three Phase,
Totally Enclosed,
C-Face, Foot Mounted**

1/2 thru 5 Hp

NEMA 56C thru 184TC

IP56

Applications: Food processing, packaging, outdoor and highly corrosive environments.

Features: All external surfaces 300 series stainless steel: motor frame, endplates, conduit box, shaft and base. Moisture resistant insulation system. Four condensate drains in each endplate. Endplate rabbets sealed and conduit box gasketed. Labyrinth seals each end. Especially effective in highly corrosive environments where paint or other finishes do not hold up. Super-E® motors have NEMA Premium® efficiency and 3 year warranty.



Hp	RPM	NEMA Frame	Enclosure	Catalog Number	List Price	Mult. Sym.	"C" Dim.	Aprx. Wt. (lb)	Full Load Efficiency	Voltage	Full Load Amps	Notes (a)
1/2	1800	56C	TENV	CSSWDM3538-5	1,336	WD	11.09	37	80	575	0.7	1, 12
3/4	1800	56C	TENV	CSSWDM3542-5	1,383	WD	11.09	41	82.5	575	0.9	1, 12
1	1800	56C	TENV	CSSWDM3546-5	1,420	WD	11.09	46	85.5	575	1.2	
		143TC	TEFC	CESSWDM3546T-5	1,426	WD	13.42	51	87.5	575	1.3	1
1 1/2	1800	56C	TEFC	CSSWDM3554-5	1,452	WD	13.34	48	84	575	1.9	1
		145TC	TEFC	CESSWDM3554T-5	1,453	WD	13.42	56	87.5	575	1.7	1
2	1800	56C	TEFC	CSSWDM3558-5	1,765	WD	15.59	62	88.5	575	2.2	1
		145TC	TEFC	CESSWDM3558T-5	1,746	WD	15.67	64	88.5	575	2.2	1
3	3600	145TC	TEFC	CESSWDM3559T-5	2,089	WD	15.67	73	86.5	575	2.9	1
	1800	182TC	TEFC	CESSWDM3611T-5	2,041	WD	16.82	92	89.5	575	3.4	1
5	3600	184TC	TEFC	CESSWDM3613T-5	2,374	WD	18.32	106	90.2	575	4.6	
	1800	184TC	TEFC	CESSWDM3615T-5	2,297	WD	18.32	112	89.5	575	5.2	

**575V, SSE Super-E
Stainless Steel,
Three Phase,
Totally Enclosed,
C-Face, Encapsulated**

1/2 thru 5 Hp

NEMA 56C thru 184TC

**IP69K
for Water**

Applications: Food processing, packaging, outdoor and highly corrosive environments, which expose the motor to high pressure washdown.

Features: Class H insulated motor with 1.15 service factor or higher. All external surfaces 300 series stainless steel: motor frame, endplates, conduit box, shaft and base. Moisture resistant insulation system. Endplate rabbets have O-ring seals to band. Conduit box and base fully welded-no crevices to trap contaminants. Patented bearing seal to protect motor bearings, inside and out. Epoxy encapsulation prevents any moisture from reaching the windings as well as potting the passage between the band and the conduit box. Nameplate information is laser etched on the band. Especially effective in highly corrosive environments where paint or other finishes do not hold up. NEMA Premium® efficiency and 3-year warranty.



Hp	RPM	NEMA Frame	Enclosure	Catalog Number	List Price	Mult. Sym.	"C" Dim.	Aprx. Wt. (lb)	Full Load Efficiency	Voltage	Full Load Amps	Notes (a)
575 Volt, F1 Mounting												
1/2	3600	56C	TENV	CSSEWDM3537-5	1,412	WD	11.75	35	84	575	0.6	
	1800	56C	TENV	CSSEWDM3538-5	1,433	WD	11.75	35	84	575	0.7	12
3/4	1800	56C	TENV	CSSEWDM3542-5	1,481	WD	12.75	40	84	575	1	
1	1800	56C	TENV	CSSEWDM3546-5	1,547	WD	12.75	43	87.5	575	1.2	
		143TC	TENV	CSSEWDM3546T-5	1,560	WD	12.80	43	87.5	575	1.2	
1 1/2	1800	56C	TEFC	CSSEWDM3554-5	1,559	WD	14.75	62	86.5	575	1.7	
		145TC	TEFC	CSSEWDM3554T-5	1,574	WD	14.81	64	86.5	575	1.7	
2	1800	56C	TEFC	CSSEWDM3558-5	1,884	WD	16.13	72	88.5	575	2.2	
		145TC	TEFC	CSSEWDM3558T-5	1,897	WD	16.19	72	88.5	575	2.2	
3	3600	145TC	TEFC	CSSEWDM3559T-5	2,267	WD	16.19	81	86.5	575	2.9	
	1800	182TC	TEFC	CSSEWDM3611T-5	2,283	WD	19.25	112	89.5	575	3.3	
5	3600	184TC	TEFC	CSSEWDM3613T-5	2,474	WD	17.75	110	89.5	575	4.5	
	1800	184TC	TEFC	CSSEWDM3615T-5	2,493	WD	19.25	125	89.5	575	5.1	

(a) See notes on inside back flap. Red catalog number indicates NEW product.

NEW!

Define Purpose Motors

Unit Handling Motors

Brake Motors

200 & 575 Volt Motors

IEC Frame Motors

50 Hertz Motors

Inverter/Vector Motors & Controls

DC Motors and Controls

Soft Starters

Gearmotors and Gear Products

BALDOR • RELIANCE

**575 Volt,
Three Phase,
ODP, Foot Mounted**

1/3 thru 150 Hp

NEMA 56 thru 444T

Applications: Pumps, compressors, fans, conveyors, machine tools and other applications where 575 volt three phase power is available.

Features: 1.15 Service Factor or greater, ball bearings, dynamically balanced rotors, heavy-gauge steel and cast iron frames. Super-E® motors have NEMA Premium® efficiency and 3 year warranty.



Hp	RPM	NEMA Frame	Catalog Number	List Price	Mult. Sym.	"C" Dim.	Aprx. Wt. (lb)	Full Load Efficiency	Voltage	Full Load Amps	Notes (a)
1/3	1800	56	M3104-5	300	LS	9.50	20	68	575	0.6	13
1/2	1800	56	M3108-5	341	LS	9.50	22	74	575	0.8	12
3/4	1800	56	M3112-5	381	LS	10.12	25	75.5	575	1.2	12
1	1800	56	M3116-5	429	LS	11.75	28	78.5	575	1.3	
		143T	EM3116T-5	711	LS	11.12	34	85.5	575	1.2	1
1 1/2	1800	145T	EM3154T-5	743	LS	11.62	37	86.5	575	1.8	1
2	1800	145T	EM3157T-5	796	LS	12.12	39	86.5	575	2.3	1
3	1800	182T	EM3211T-5	858	LS	15.00	69	89.5	575	3.4	1
5	1800	184T	EM3218T-5	940	LS	16.50	82	89.5	575	5.3	1
7 1/2	1800	213T	EM3311T-5	1,381	LS	16.32	114	91	575	7.8	1
10	1800	215T	EM3313T-5	1,672	LS	17.45	123	91.7	575	10	1
15	1800	254T	EM2513T-5	2,367	LS	21.69	273	93	575	14.1	1
20	1800	256T	EM2515T-5	2,597	L1	21.69	227	93	575	18.9	1
25	1800	284T	EM2531T-5	3,166	L1	25.06	312	93.6	575	24.5	1
30	1800	286T	EM2535T-5	3,462	L1	25.06	333	94.1	575	28	1
40	1800	324T	EM2539T-5	4,516	L1	27.19	397	94.1	575	40	1
50	1800	326T	EM2543T-5	4,983	L1	27.69	465	94.5	575	46	1
60	1800	364T	EM2547T-5	6,274	L1	30.69	620	95	575	56	1
75	1800	365T	EM2551T-5	7,701	L1	33.72	740	95	575	68	1
100	1800	404T	EM2555T-5	8,959	L1	36.97	943	95.4	575	93	1
125	1800	405T	EM2559T-5	10,991	L1	34.47	960	95.4	575	114	1
150	1800	444T	EM2558T-5	12,208	L1	39.56	1535	96.2	575	136	1

(a) See notes on inside back flap.

■ Cast Iron Frame

**575 Volt,
Three Phase,
Close-Coupled Pump,
TEFC and ODP,
C-Face**

1 thru 20 Hp

NEMA 143JM thru 256JM

Applications: Applications for circulating and transferring fluids.

Features: Over-sized ball bearings with locked drive end construction for minimum shaft movement. Open drip-proof, close coupled pump motors are furnished with rodent screens at both ends.



Hp	RPM	NEMA Frame	Catalog Number	List Price	Mult. Sym.	"C" Dim.	Aprx. Wt. (lb)	Full Load Efficiency	Voltage	Full Load Amps	Notes (a)
Foot Mounted, Totally Enclosed Fan Cooled											
1	1800	143JM	JMM3546T-5	657	L1	15.43	38	82.5	575	1.3	1
1 1/2	3600	143JM	JMM3550T-5	690	L1	15.43	39	82.5	575	1.6	
	1800	145JM	JMM3554T-5	690	L1	15.43	41	84	575	1.9	1
2	3600	145JM	JMM3555T-5	769	L1	15.43	49	84	575	2.1	
	1800	145JM	JMM3558T-5	721	L1	15.43	51	84	575	2.5	1
3	3600	145JM	JMM3559T-5	862	L1	16.31	55	85.5	575	3	1
	3600	182JM	JMM3610T-5	894	L1	16.69	68	85.5	575	2.8	
	1800	182JM	JMM3611T-5	862	L1	18.18	66	87.5	575	3.3	1, 35
5	3600	184JM	JMM3613T-5	1,104	L1	18.06	78	87.5	575	4.8	1
	1800	184JM	JMM3615T-5	964	L1	18.06	81	87.5	575	5.5	1, 35
7 1/2	3600	184JM	JMM3616T-5	1,249	L1	19.56	91	88.5	575	7	2, 20
	1800	213JM	JMM3710T-5	1,233	L1	19.76	122	89.5	575	8.1	1, 35
10	3600	215JM	JMM3711T-5	1,682	L1	19.76	123	89.5	575	9.6	20
	1800	215JM	JMM3714T-5	1,556	L1	20.88	137	89.5	575	10.8	1, 35
15	3600	215JM	JMM3713T-5	2,216	L1	21.64	170	90.2	575	13.8	1, 35
	3600	254JM	JMM2394T-5	2,915	L1	23.07	225	90.2	575	13.7	1, 35
	1800	254JM	JMM2333T-5	2,842	L1	23.07	236	91	575	15.2	1, 35
Footless, Totally Enclosed Fan Cooled											
1	1800	143JM	VJMM3546T-5	670	L1	14.43	38	82.5	575	1.3	1
1 1/2	1800	145JM	VJMM3554T-5	701	L1	15.43	40	84	575	1.9	1
2	1800	145JM	VJMM3558T-5	733	L1	15.43	44	84	575	2.5	1
3	1800	182JM	VJMM3611T-5	876	L1	18.20	72	87.5	575	3.3	1, 35
5	1800	184JM	VJMM3615T-5	981	L1	19.55	90	87.5	575	5.2	1
7 1/2	1800	213JM	VJMM3710T-5	1,274	L1	19.79	115	89.5	575	8.1	1, 35
10	1800	215JM	VJMM3714T-5	1,573	L1	20.92	136	89.5	575	10.8	1, 35
15	1800	254JM	VJMM2333T-5	2,867	L1	21.82	236	91	575	15.2	1, 35
20	1800	256JM	VJMM2334T-5	2,964	L1	25.28	276	91	575	19.1	1
Foot Mounted, Open Drip Proof											
3	3600	145JM	JMM3158T-5	742	L1	14.25	47	84	575	3.1	
	1800	182JM	JMM3211T-5	735	L1	17.04	67	86.5	575	3.3	1
5	3600	182JM	JMM3212T-5	834	L1	15.62	61	85.5	575	4.9	
	1800	184JM	JMM3218T-5	795	L1	16.50	73	87.5	575	5.7	1, 35
7 1/2	3600	184JM	JMM3219T-5	1,020	L1	16.50	73	87.5	575	7	1
	1800	213JM	JMM3311T-5	1,155	L1	18.84	95	88.5	575	7.9	1, 35
10	3600	213JM	JMM3312T-5	1,387	L1	18.19	116	89.5	575	9.6	
	1800	215JM	JMM3313T-5	1,372	L1	18.19	119	89.5	575	10.8	1, 35
15	3600	215JM	JMM3314T-5	1,864	L1	18.19	129	89.5	575	14.4	1

(a) See notes on inside back flap.

■ Cast Iron Frame

Definite Purpose Motors

Unit Handling Motors

Brake Motors

200 & 575 Volt Motors

IEC Frame Motors

50 Hertz Motors

Inverter/Vector Motors & Controls

DC Motors and Controls

Soft Starters

Gearmotors and Gear Products

**575 Volt,
Three Phase,
Explosion Proof**

1/2 thru 40 Hp

NEMA 56 thru 324T



Applications: 575 volt designs for use on pumps, fans, and conveyors where hazardous fumes and dust are present, requiring Div 1 UL listed and/or CSA approved enclosures.

Features: UL & CSA approved for Class I, Group D, Class II, Group F & G, T3C. Totally enclosed heavy gauge steel and cast iron construction. Corrosion resistant epoxy finish. 1.0 Service Factor. Super-E® explosion proof motors have NEMA Premium® efficiency and 3 year warranty. Fixed speed sine wave operation only.

Hp	RPM	NEMA Frame	Catalog Number	XP Cls/Grp	Temp Code	List Price	Mult. Sym.	"C" Dim.	Aprx. Wt. (lb)	Full Load Efficiency	Voltage	Full Load Amps	Notes (a)
Foot Mounted, No Drip Cover													
1/2	1800	56	M7006-5	Ⓜ	T3C	719	K	14.30	34	78.5	575	0.7	-
3/4	1800	56	M7010-5	Ⓜ	T3C	828	K	14.30	37	76	575	1.2	-
1	3600	56	M7013-5	Ⓜ	T3C	869	K	13.22	30	75.5	575	1.2	-
	1800	56	M7014-5	Ⓜ	T3C	907	K	14.30	40	75.5	575	1.5	-
			143T	EM7014T-5	Ⓜ	T3C	1,266	LS	14.36	42	85.5	575	1.2
1 1/2	3600	143T	EM7018T-5	Ⓜ	T3C	1,158	L1	14.36	45	84	575	1.5	-
	1800	145T	EM7034T-5	Ⓜ	T3C	1,311	LS	15.23	51	86.5	575	1.8	-
2	3600	145T	EM7071T-5	Ⓜ	T3C	1,186	L1	15.23	52	85.5	575	2	-
	1800	145T	EM7037T-5	Ⓜ	T3C	1,431	LS	15.23	54	86.5	575	2.3	-
3	1800	182T	EM7042T-5	Ⓜ	T3C	1,520	L1	17.42	84	89.5	575	3.3	-
5	3600	184T	EM7072T-5	Ⓜ	T3C	1,745	L1	18.12	85	88.5	575	4.7	-
	1800	184T	EM7044T-5	Ⓜ	T3C	1,883	L1	18.12	99	89.5	575	5.3	-
7 1/2	1800	213T	EM7047T-5	Ⓜ	T3C	2,500	L1	20.32	161	91.7	575	7.6	-
10	1800	215T	EM7170T-5	Ⓜ	T3C	3,525	L1	19.90	249	91.7	575	9.8	-
15	1800	254T	EM7054T-5	Ⓜ	T3C	3,751	LS	25.50	364	92.4	575	14.5	-
20	1800	256T	EM7056T-5	Ⓜ	T3C	4,860	LS	25.50	396	93	575	19.2	-
25	1800	284T	EM7058T-5	Ⓜ	T3C	5,896	LS	28.61	534	93.6	575	24.5	-
30	1800	286T	EM7060T-5	Ⓜ	T3C	7,188	L1	28.61	553	93.6	575	29	-
40	1800	324T	EM7062T-5	Ⓜ	T3C	9,633	LS	32.00	729	94.1	575	39	-
C-Face, Footless, No Drip Cover													
1/2	1800	56C	VM7006-5	Ⓜ	T3C	936	K	14.30	37	78.5	575	0.7	-
3/4	1800	56C	VM7010-5	Ⓜ	T3C	953	K	14.30	38	76	575	1.2	-
1	1800	56C	VM7014-5	Ⓜ	T3C	1,001	K	14.30	39	75.5	575	1.5	-
		143TC	VEM7014T-5	Ⓜ	T3C	1,324	L1	14.33	44	85.5	575	1.2	-
		143TC	VM7014T-5	Ⓜ	T3C	1,080	L1	14.36	41	82.5	575	1.3	-
1 1/2	1800	145TC	VEM7034T-5	Ⓜ	T3C	1,443	L1	15.21	50	86.5	575	1.8	-
		145TC	VM7034T-5	Ⓜ	T3C	1,164	L1	15.23	47	84	575	1.9	-
2	1800	145TC	VEM7037T-5	Ⓜ	T3C	1,529	L1	15.21	54	86.5	575	2.3	-
		145TC	VM7037T-5	Ⓜ	T3C	1,259	L1	15.23	49	84	575	2.5	-
3	1800	182TC	VEM7042T-5	Ⓜ	T3C	1,727	L1	18.86	95	89.5	575	3.3	-
		182TC	VM7042T-5	Ⓜ	T3C	1,614	L1	18.86	90	87.5	575	3.4	-
5	1800	184TC	VEM7044T-5	Ⓜ	T3C	2,040	L1	20.36	110	89.5	575	5.3	-
		184TC	VM7044T-5	Ⓜ	T3C	1,966	L1	18.80	113	87.5	575	5.2	-
7 1/2	1800	213TC	VM7047T-5	Ⓜ	T3C	2,275	L1	19.19	157	89.5	575	8.1	-

(a) See notes on inside back flap.

Ⓜ = Class I, Group D, Class II, Group F & G

■ Cast Iron Frame

CAUTION: Explosion-proof motors have a tight fit between mating parts to ensure the integrity of the explosion-proof enclosure. This can lead to an accumulation of moisture inside the motors due to condensation. Care should be used when selecting an explosion-proof motor, especially when installed outdoors and on intermittent duty. The Explosion-proof motors are not suitable for use with adjustable speed drives. Inverter Duty Explosion-proof motors must be used. See pages 88-90.

Definite Purpose Motors

Unit Handling Motors

Brake Motors

200 & 575 Volt Motors

IEC Frame Motors

50 Hertz Motors

Inverter/Vector Motors & Controls

DC Motors and Controls

Soft Starters

Gearmotors and Gear Products

**575 Volt,
Drill Rig Duty,
Three Phase,
1.15 Service Factor**

1 thru 100 Hp

NEMA 143T thru 405T



Applications: On and off shore drill rig service, bulk fuel terminals, and transfer stations. For use in high humidity hazardous-duty applications driving pumps, compressors, blowers, fans, and many other loads that require 1.15 service factor explosion-proof motors. Designed with features for use in the petroleum industry. Includes Class I, Group C & D approval for use in areas where hydrogen sulfide is present.

Features: UL & CSA listed for Class I (Gas), Group C & D with a T3C temperature code. Totally enclosed heavy gauge steel and cast iron construction. Drive-end shaft slinger. UL listed explosion proof breather drain. Corrosion resistant epoxy finish. Class F Insulation and 1.15 service factor. Suitable for 55 Degrees C at 1.0 service factor. Super-E® explosion proof motors have NEMA Premium® efficiency and 3 year warranty. Fixed speed sine wave operation only.

Hp	RPM	NEMA Frame	Catalog Number	XP Cls/Grp	Temp Code	List Price	Mult. Sym.	"C" Dim.	Aprx. Wt. (lb)	Full Load Efficiency	Voltage	Full Load Amps	Notes (a)
Foot Mounted													
1	3600	143T	EM7013T-I-5	④	T3C	1,298	SD	14.12	51	84	575	1.1	1
	1800	143T	EM7014T-I-5	④	T3C	1,277	SD	14.22	55	85.5	575	1.2	1
2	3600	145T	EM7071T-I-5	④	T3C	1,408	SD	15.09	62	85.5	575	2	1
	1800	145T	EM7037T-I-5	④	T3C	1,442	SD	15.09	65	86.5	575	2.3	1
3	3600	182T	EM7026T-I-5	④	T3C	1,613	SD	18.27	91	86.5	575	2.7	1
	1800	182T	EM7042T-I-5	④	T3C	1,521	SD	18.27	106	89.5	575	3.3	1
5	3600	184T	EM7072T-I-5	④	T3C	2,003	SD	18.27	114	90.2	575	3.4	1
	1800	184T	EM7044T-I-5	④	T3C	1,886	SD	19.52	126	89.5	575	5.2	1
7 1/2	3600	213T	EM7045T-I-5	④	T3C	2,407	SD	19.57	166	89.5	575	7	1
	1800	213T	EM7047T-I-5	④	T3C	2,325	SD	20.32	161	91.7	575	7.6	1
10	3600	215T	EM7174T-I-5	④	T3C	2,831	SD	20.03	235	90.2	575	9.3	1
	1800	215T	EM7170T-I-5	④	T3C	3,138	SD	20.03	252	92.4	575	10.1	1
15	3600	254T	EM7053T-I-5	④	T3C	3,201	SD	25.50	352	91	575	13.7	1
	1800	254T	EM7054T-I-5	④	T3C	3,766	SD	25.50	374	92.4	575	14.5	1
20	3600	256T	EM7059T-I-5	④	T3C	4,105	SD	25.50	409	91	575	17.5	1
	1800	256T	EM7056T-I-5	④	T3C	4,714	SD	25.50	397	93	575	19.2	1
25	3600	284TS	EM7063T-I-5	④	T3C	5,463	SD	27.23	552	91.7	575	22.8	1
	1800	284T	EM7058T-I-5	④	T3C	5,918	SD	28.61	559	93.6	575	24.5	1
30	3600	286TS	EM7083T-I-5	④	T3C	6,421	SD	27.23	565	91.7	575	26	1
	1800	286T	EM7060T-I-5	④	T3C	7,216	SD	28.61	573	93.6	575	29	1
40	3600	324TS	EM7067T-I-5	④	T3C	8,565	SD	30.50	684	92.4	575	36	1
	1800	324T	EM7062T-I-5	④	T3C	9,670	SD	32.00	752	94.1	575	39	1
50	3600	326TS	EM7081T-I-5	④	T3C	10,967	SD	30.50	740	93	575	45	1
	1800	326T	EM7064T-I-5	④	T3C	11,249	SD	32.00	841	94.5	575	47	1
60	1800	364T	EM7066T-I-5	④	T3C	12,719	SD	33.44	1015	95	575	54.2	1
75	1800	365T	EM7068T-I-5	④	T3C	13,240	SD	33.44	1064	95.4	575	67.2	1
100	1800	405T	EM7090T-I-5	④	T3C	16,981	SD	38.32	1446	95.4	575	89.6	1
C-Face, Foot Mounted													
1	3600	143TC	CEM7013T-I-5	④	T3C	1,376	SD	14.36	41	84	575	1.1	1
	1800	143TC	CEM7014T-I-5	④	T3C	1,375	SD	15.23	52	85.5	575	1.1	1
2	3600	145TC	CEM7071T-I-5	④	T3C	1,506	SD	15.23	55	85.5	575	2	1
	1800	145TC	CEM7037T-I-5	④	T3C	1,657	SD	16.10	65	86.5	575	2.2	1
3	3600	182TC	CEM7026T-I-5	④	T3C	1,928	SD	18.09	80	86.5	575	2.9	1
	1800	182TC	CEM7042T-I-5	④	T3C	1,866	SD	19.59	106	89.5	575	3.3	1
5	3600	184TC	CEM7072T-I-5	④	T3C	2,318	SD	19.59	91	88.5	575	4.8	1
	1800	184TC	CEM7044T-I-5	④	T3C	2,256	SD	20.84	126	89.5	575	5.2	1

(a) See notes on inside back flap.

④ = Class I, Group C & D

■ Cast Iron Frame

Red catalog number indicates **NEW** product.

These motors expel condensation better than standard explosion proof designs. They are recommended for applications where motors may run intermittently, applications where explosion-proof motors are installed outdoors exposed to the environment, and may not be operated for extended periods of time. These explosion-proof motors are not suitable for use with adjustable speed drives. Inverter duty explosion-proof motors must be used. See pages 88-90.

Definite Purpose Motors

Unit Handling Motors

Brake Motors

200 & 575 Volt Motors

IEC Frame Motors

50 Hertz Motors

Inverter/Vector Motors & Controls

DC Motors and Controls

Soft Starters

Gearmotors and Gear Products

575 Volt, Drill Rig Duty, Three Phase, 1.15 Service Factor, Foot Mounted

Hp	RPM	NEMA Frame	Catalog Number	XP Cls/Grp	Temp Code	List Price	Mult. Sym.	"C" Dim.	Aprx. Wt. (lb)	Full Load Efficiency	Voltage	Full Load Amps	Notes (a)
7 1/2	3600	213TC	CEM7045T-I-5	④	T3C	2,748	SD	20.32	149	89.5	575	7	1
	1800	213TC	CEM7047T-I-5	④	T3C	2,646	SD	21.07	161	91.7	575	7.6	1
10	3600	215TC	CEM7174T-I-5	④	T3C	3,172	SD	20.77	240	90.2	575	9.3	1
	1800	215TC	CEM7170T-I-5	④	T3C	3,219	SD	20.77	252	92.4	575	10.1	1
15	3600	254TC	CEM7053T-I-5	④	T3C	4,554	SD	26.00	359	91	575	13.7	1
	1800	254TC	CEM7054T-I-5	④	T3C	5,324	SD	26.00	374	92.4	575	14.5	1
20	3600	256TC	CEM7059T-I-5	④	T3C	5,458	SD	26.00	416	91	575	20	1
	1800	256TC	CEM7056T-I-5	④	T3C	6,310	SD	26.00	397	93	575	19.2	1
25	3600	284TSC	CEM7063T-I-5	④	T3C	7,199	SD	27.23	560	91.7	575	22.8	1
	1800	284TC	CEM7058T-I-5	④	T3C	7,727	SD	28.61	559	93.6	575	24.5	1
30	3600	286TSC	CEM7083T-I-5	④	T3C	8,157	SD	27.23	573	91.7	575	26	1
	1800	286TC	CEM7060T-I-5	④	T3C	8,967	SD	28.61	573	93.6	575	29	1
40	3600	324TSC	CEM7067T-I-5	④	T3C	10,966	SD	30.50	761	92.4	575	36	1
	1800	324TC	CEM7062T-I-5	④	T3C	11,961	SD	32.00	720	94.1	575	39	1
50	3600	326TSC	CEM7081T-I-5	④	T3C	13,368	SD	30.50	750	93	575	45	1
	1800	326TC	CEM7064T-I-5	④	T3C	13,601	SD	32.00	841	94.5	575	47	1

(a) See notes on inside back flap.

④ = Class I, Group C & D

■ Cast Iron Frame

Red catalog number indicates **NEW** product.

These motors expel condensation better than standard explosion proof designs. They are recommended for applications where motors may run intermittently, applications where explosion-proof motors are installed outdoors exposed to the environment, and may not be operated for extended periods of time. These explosion-proof motors are not suitable for use with adjustable speed drives. Inverter duty explosion-proof motors must be used. See pages 88-90.

Definite Purpose Motors

Unit Handling Motors

Brake Motors

200 & 575 Volt Motors

IEC Frame Motors

50 Hertz Motors

Inverter/Vector Motors & Controls

DC Motors and Controls

Soft Starters

Gearmotors and Gear Products



NEW!

IEC Frame Motors

Metric IEC Frame Motors, Three Phase, 60 Hz, 460 Volts

.25 thru 7.5 kW (.33-10 Hp)

IEC 80 thru 132

IP55

Applications: Pumps, compressors, fans, conveyors, and other general purpose three phase applications requiring IEC metric frame mounting.

Features: ABB Process Performance cast iron (severe duty), IP55 construction. Motors have IE3 efficiency per IEC 60034-30 for use in USA. Motor frames 90-132 are marked with DOE compliance number for use on 460 volt, 60 Hz; 6 post terminal block; Class F insulated motors with Class "B" temperature limits; 1.0 service factor; PTC thermistors (3 in series), 150C in stator winding. Inverter ready 2:1CT, 20:1VT.



Table with columns: kW/HP, RPM, IEC Frame, Catalog Number, ABB Product Code, ABB Type Number, List Price, Mult. Sym., "L" Dim. (in), Aprx. Wt. (lb), Voltage, For Use in US, Notes (a). Includes sections for B5, Flange Mounted continued and B14, Face Mounted.

(a) See notes on inside back flap. Cast Iron Frame Motors are stamped with kW only. Motors shown as "60 Hz Use in US" are compliant with U.S. DOE. Please note motors are wound for 460V/60 Hz only. Variant codes: 332 = Baldor Catalog number stamped on rating plate 509 = Fulfilling EISA Subtype I efficiency requirements, CC031A

NEW!

Define Purpose Motors

Unit Handling Motors

Brake Motors

200 & 575 Volt Motors

IEC Frame Motors

50 Hertz Motors

Inverter/Vector Motors & Controls

DC Motors and Controls

Soft Starters

Gearmotors and Gear Products

Metric IEC Flange Kit for Process Performance Aluminum and Cast Iron Motors (safe area)



Frame Size	Type	Poles	Series	B5 M Dimension	B5 Flange Catalog Number	B14 M Dimension	B14 Flange Catalog Number
63	M3AA	2,4,6	E	115	3GVC061004-E	75	3GVC061004-F
71	M3AA	2,4,6	E	130	3GZE223070-1	85	3GZE223071-1 *
	M3BP	2,4,6	B	130	3GZE223074-1	85	3GZE223075-1
80	M3AA	2,4,6	E	165	3GZE223080-1	100	3GZE223081-1 **
	M3BP	2,4,6	B	165	3GZE223084-1	100	3GZE223085-1
90	M3AA	2,4,6	E	165	3GZE223090-1	115	3GZE223091-1
	M3BP	2,4,6	B,K	165	3GZE223094-1	115	3GZE223095-1
100	M3AA	2,4,6	E	215	3GZE223100-2	130	3GZE223101-2
	M3BP	2,4,6	B	215	3GZE223105-1	130	3GZE223106-1
112	M3AA	2,4,6	E	215	3GZE223100-2	130	3GZE223101-2
	M3BP	2,4,6	B,K	215	3GZE223105-1	130	3GZE223106-1
132	M3AA	2,4,6	E	265	3GZE425205-1	165	AE42536413-1
	M3BP	2,4,6	B,K	265	3GZE223133-1	165	3GZE223134-1
160	M3AA	2,4,6	G,K	300	3GZV223039-28	215	3GZV223031-1
	M3BP	2,4,6	G,K	300	3GZV223039-3	N/A	N/A
180	M3AA	2,4,6	G,K	300	3GZV223039-24	N/A	N/A
	M3BP	2,4,6	G,K	300	3GZV223039-25	N/A	N/A
200	M3AA	2,4,6	G,K	350	3GZV223008-31	N/A	N/A
	M3BP	2,4,6	G,K	350	3GZV223008-32	N/A	N/A
225	M3AA	2,4,6	G,K	400	3GZV223008-46	N/A	N/A
	M3BP	2,4,6	G,K	400	3GZV223008-5	N/A	N/A
250	M3BP	2,4,6	G,K	500	3GZV223008-6	N/A	N/A
	M3BP	2	G	500	3GZF223028-8	N/A	N/A
280	M3BP	4,6	G	500	3GZF203728-56	N/A	N/A
	M3BP	2	K	500	3GZF223028-8	N/A	N/A
	M3BP	4,6	K	500	3GZF223028-1	N/A	N/A

* Bearing retainer, 3GVC071046-B is required when adding flange to B3 motor.
 ** Bearing retainer, 3GVC081046-A is required when adding flange to B3 motor.
 Please contact your Baldor representative for price and delivery.

Metric IEC Frame Motors, Three Phase, 50/60 Hz, B5 Flange

.12 thru 90 kW (.16-125 Hp)

Applications: Pumps, compressors, fans, conveyors, and other general purpose three phase applications requiring IEC metric B5 flange mount replacements.

Features: ABB Process Performance (severe duty) IP55 construction. Choice of aluminum (-AP) or cast iron (-PP) frame and endplates. MVM catalog motors have IE2 efficiency; EMVM catalog motors have IE3 efficiency per IEC 60034-30; Motors for use in USA are marked with DOE compliance number for use on 460 volt, 60 Hz; 6 post terminal block; Class F insulated motors with Class "B" temperature limits; 1.0 service factor; all cast iron motors & aluminum 160-250 frames have PTC thermistors (3 in series), 150C in stator winding. Inverter ready: frames 63-250, 230-400V, 50 Hz and 460V, 60 Hz, 2:1CT, 20:1VT.



kW/HP	RPM	IEC Frame	Catalog Number	ABB Product Code	ABB Type Number	List Price	Mult. Sym.	"L" Dim. (in)	Aprx. Wt. (lb)	Voltage	For Use In US	Notes (a)
.12/.16	1500/1800	63	MVM06124D-AP	3GAA062311-BSC+002+332	M3AA 63A 4	357	M	8.43	9	230D/400Y,50hz, 460Y,60hz	Yes	11, 25
	3000/3600	63	MVM06182D-AP	3GAA061311-BSC+002+332	M3AA 63A 2	350	M	8.43	9	230D/400Y,50hz, 460Y,60hz	Yes	11, 25
.18/.25	1500/1800	63	MVM06184D-AP	3GAA062312-BSC+002+332	M3AA 63B 4	359	M	8.43	10	230D/400Y,50hz, 460Y,60hz	Yes	11, 25
	3000/3600	63	MVM06252D-AP	3GAA061312-BSC+002+332	M3AA 63B 2	355	M	8.43	10	230D/400Y,50hz, 460Y,60hz	Yes	11, 25
.25/.33	1500/1800	71	MVM07254D-AP	3GAA072311-BSE+332	M3AA 71A 4	307	M	9.45	11	230D/400Y,50hz, 460Y,60hz	Yes	11, 25

Metric IEC ATEX/ IECEX Flameproof

Ex d IIC T4, Three Phase, 50 Hz, Foot Mounted

.55 thru 45 kW (.75-60 Hp)

IEC 80 thru 225

IP55

Applications: Ideal for use where hazardous gases may be present.

Features: ABB Flameproof, Exd IIC T4 for Zone 1. Cast Iron frame and endplates. IP55 construction; IE2 efficiency per IEC 60034-30; 6 post terminal block; Class F insulated motors with Class "B" temperature limits; 1.0 Service Factor. Certified for both ATEX and IECEx as standard.



kW/HP	RPM	IEC Frame	Catalog Number	ABB Product Code	ABB Type Number	List Price	Mult. Sym.	"L" Dim. (in)	Aprx. Wt. (lb)	Voltage	For Use in US	Notes (a)
.55/.75	1500	80	MM08554-EX2	3GJP082310-ASH+332+461	M3JP 80MA 4	1,263	M	13.39	84	230D/400Y/415Y,50hz	No	11, 25
.75/1	1500	80	MM08754-EX2	3GJP082320-ASH+332+461	M3JP 80MB 4	1,314	M	13.39	84	230D/400Y/415Y,50hz	No	11, 25
1.1/1.5	1500	90	MM09114-EX2	3GJP092010-ASH+332+461	M3JP 90SLA 4	1,474	M1	15.94	112	230D/400Y/415Y,50hz	No	11, 25
1.5/2	1500	90	MM09154-EX2	3GJP092030-ASH+332+461	M3JP 90SLC 4	1,604	M1	15.94	117	230D/400Y/415Y,50hz	No	11, 25
2.2/3	1500	100	MM10224-EX2	3GJP102510-ASH+332+461	M3JP 100LA 4	1,883	M1	20.47	154	230D/400Y/415Y,50hz	No	11, 25
3/4	1500	100	MM10034-EX2	3GJP102520-ASH+332+461	M3JP 100LB 4	2,110	M1	20.47	159	230D/400Y/415Y,50hz	No	11, 25
4/5.3	1500	112	MM11044-EX2	3GJP112330-ASH+332+461	M3JP 112MC 4	2,253	M1	20.47	179	230D/400Y/415Y,50hz	No	11, 25
5.5/7.5	1500	132	MM13554-EX2	3GJP132220-ADH+332+461	M3JP 132SMB 4	2,972	M1	22.83	245	400D/415D/690Y,50hz	No	11, 25
7.5/10	1500	132	MM13754-EX2	3GJP132240-ADH+332+461	M3JP 132SMD 4	3,432	M1	22.83	251	400D/415D/690Y,50hz	No	11, 25
11/15	1500	160	MM16114-EX2	3GJP162430-ADH+332+461	M3JP 160MLC 4	4,167	M1	27.99	511	400D/415D/690Y,50hz	No	11, 25
15/20	1500	160	MM16154-EX2	3GJP162450-ADH+332+461	M3JP 160MLE 4	5,038	M1	27.99	562	400D/415D/690Y,50hz	No	11, 25
18.5/25	1500	180	MM18184-EX2	3GJP182410-ADH+332+461	M3JP 180MLA 4	6,585	M1	27.80	611	400D/415D/690Y,50hz	No	11, 25
22/30	1500	180	MM18224-EX2	3GJP182420-ADH+332+461	M3JP 180MLB 4	7,190	M1	27.80	628	400D/415D/690Y,50hz	No	11, 25
30/40	1500	200	MM20304-EX2	3GJP202420-ADG+332+461	M3JP 200MLB 4	9,172	M1	30.47	750	400D/415D/690Y,50hz	No	11, 25
37/50	1500	225	MM22374-EX2	3GJP222220-ADG+332+461	M3JP 225SMB 4	11,345	M1	34.29	860	400D/415D/690Y,50hz	No	11, 25
45/60	1500	225	MM22454-EX2	3GJP222230-ADG+332+461	M3JP 225SMC 4	12,676	M1	34.29	937	400D/415D/690Y,50hz	No	11, 25

(a) See notes on inside back flap.

■ Cast Iron Frame

Red Catalog Number indicates **NEW** Product.

Motors are stamped with kW only.

The above motors are suitable for VFD operation on 230, 400 and 415 volts with the addition of appropriate modification(s).

For sizing or further details, please contact your Baldor Sales Representative.

Motors in stock may be rated Exd IIC T4 or with new EPL standard Exd IIC T4 Gb. Exde IIC T4 stamped motors cannot be renameplated with new EPL standard.

If new EPL rating is required, please contact your Baldor sales representative.

Variant codes: 332 = Baldor Catalog number stamped on rating plate

461 = Exd design, Group II C

Metric IEC ATEX/ IECEX Flameproof Ex de IIC T4, Three Phase, 50 Hz, Foot Mounted

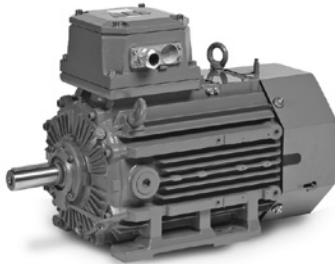
.55 thru 45 kW (.75-60 Hp)

IEC 80 thru 225

IP55

Applications: Ideal for use where hazardous gases may be present.

Features: ABB Flameproof, Exde IIC T4 for Zone 1. Cast Iron frame and endplates. IP55 construction; IE2 efficiency per IEC 60034-30; 6 post terminal block; Class F insulated motors with Class "B" temperature limits; 1.0 Service Factor. Certified for both ATEX and IECEx as standard.



kW/HP	RPM	IEC Frame	Catalog Number	ABB Product Code	ABB Type Number	List Price	Mult. Sym.	"L" Dim. (in)	Aprx. Wt. (lb)	Voltage	For Use in US	Notes (a)
.55/.75	1500	80	MM08554-EX3	3GKP082310-ASH+332+461	M3KP 80MA 4	1,162	M	13.39	84	230D/400Y/415Y,50hz	No	11, 25
.75/1	1500	80	MM08754-EX3	3GKP082320-ASH+332+461	M3KP 80MB 4	1,205	M	13.39	84	230D/400Y/415Y,50hz	No	11, 25
1.1/1.5	1500	90	MM09114-EX3	3GKP092010-ASH+332+461	M3KP 90SLA 4	1,355	M1	15.94	112	230D/400Y/415Y,50hz	No	11, 25
1.5/2	1500	90	MM09154-EX3	3GKP092030-ASH+332+461	M3KP 90SLC 4	1,471	M1	15.94	117	230D/400Y/415Y,50hz	No	11, 25
2.2/3	1500	100	MM10224-EX3	3GKP102510-ASH+332+461	M3KP 100LA 4	1,730	M1	18.90	154	230D/400Y/415Y,50hz	No	11, 25
3/4	1500	100	MM10034-EX3	3GKP102520-ASH+332+461	M3KP 100LB 4	1,938	M1	18.90	159	230D/400Y/415Y,50hz	No	11, 25
4/5.3	1500	112	MM11044-EX3	3GKP112330-ASH+332+461	M3KP 112MC 4	2,253	M1	18.90	179	230D/400Y/415Y,50hz	No	11, 25
5.5/7.5	1500	132	MM13554-EX3	3GKP132220-ADH+332+461	M3KP 132SMB 4	2,739	M1	22.05	245	400D/415D/690Y,50hz	No	11, 25
7.5/10	1500	132	MM13754-EX3	3GKP132240-ADH+332+461	M3KP 132SMD 4	3,165	M1	22.05	251	400D/415D/690Y,50hz	No	11, 25
11/15	1500	160	MM16114-EX3	3GKP162430-ADH+332+461	M3KP 160MLC 4	3,828	M1	27.99	511	400D/415D/690Y,50hz	No	11, 25
15/20	1500	160	MM16154-EX3	3GKP162450-ADH+332+461	M3KP 160MLE 4	4,627	M1	27.99	562	400D/415D/690Y,50hz	No	11, 25
18.5/25	1500	180	MM18184-EX3	3GKP182410-ADH+332+461	M3KP 180MLA 4	6,077	M1	27.80	611	400D/415D/690Y,50hz	No	11, 25
22/30	1500	180	MM18224-EX3	3GKP182420-ADH+332+461	M3KP 180MLB 4	6,609	M1	27.80	628	400D/415D/690Y,50hz	No	11, 25
30/40	1500	200	MM20304-EX3	3GKP202420-ADG+332+461	M3KP 200MLB 4	8,446	M1	30.47	750	400D/415D/690Y,50hz	No	11, 25
37/50	1500	225	MM22374-EX3	3GKP222220-ADG+332+461	M3KP 225SMB 4	10,474	M1	34.29	816	400D/415D/690Y,50hz	No	11, 25
45/60	1500	225	MM22454-EX3	3GKP222230-ADG+332+461	M3KP 225SMC 4	11,684	M1	34.29	893	400D/415D/690Y,50hz	No	11, 25

(a) See notes on inside back flap.

■ Cast Iron Frame

Red Catalog Number indicates **NEW** Product.

Motors are stamped with kW only.

The above motors are suitable for VFD operation on 230, 400 and 415 volts with the addition of appropriate modification(s).

For sizing or further details, please contact your Baldor Sales Representative.

Motors in stock may be rated Exde IIC T4 or with new EPL standard Exde IIC T4 Gb. Exde IIC T4 stamped motors cannot be renameplated with new EPL standard.

If new EPL rating is required, please contact your Baldor sales representative.

Variant codes: 332 = Baldor Catalog number stamped on rating plate

461 = Exd design, Group II C

Metric IEC ATEX/IECEX

.55 thru 90 kW (.75-125 Hp)

IEC 80 thru 280

IP55

Non-Sparking

Applications: Ideal for use where hazardous gases may be present.

Ex nA II T3, Three Phase, 50 Hz, Foot Mounted

Features: ABB Non-Sparking (Ex nA) for Zone 2. Cast Iron frame and endplates. IP55 construction. IE2 efficiency per IEC 60034-30; 6 post terminal block, Class F insulated motors with Class "B" temperature limits; 1.0 Service Factor. Certified for both ATEX and IECEx as standard.



kW/HP	RPM	IEC Frame	Catalog Number	ABB Product Code	ABB Type Number	List Price	Mult. Sym.	"L" Dim. (in)	Aprx. Wt. (lb)	Voltage	Full Load Amps	For Use in US	Notes (a)
.55/.75	1500	80	MM08554-EX1	3GGP082310-ASH+332	M3GP 80MA 4	1,033	M	13.39	84	230D/400Y/415Y,50hz	1.4	No	11, 25
.75/1	1500	80	MM08754-EX1	3GGP082320-ASH+332	M3GP 80MB 4	1,077	M	13.39	84	230D/400Y/415Y,50hz	1.8	No	11, 25
1.1/1.5	1500	90	MM09114-EX1	3GGP092010-ASH+332	M3GP 90SLA 4	1,200	M1	15.95	112	230D/400Y/415Y,50hz	2.3	No	11, 25
1.5/2	1500	90	MM09154-EX1	3GGP092030-ASH+332	M3GP 90SLC 4	1,316	M1	15.95	117	230D/400Y/415Y,50hz	3.2	No	11, 25
2.2/3	1500	100	MM10224-EX1	3GGP102510-ASH+332	M3GP 100LA 4	1,525	M1	18.90	134	230D/400Y/415Y,50hz	4.3	No	11, 25
3/4	1500	100	MM10034-EX1	3GGP102520-ASH+332	M3GP 100LB 4	1,733	M1	18.90	139	230D/400Y/415Y,50hz	6	No	11, 25
4/5.3	1500	112	MM11044-EX1	3GGP112330-ASH+332	M3GP 112MC 4	1,997	M1	18.90	159	230D/400Y/415Y,50hz	8.7	No	11, 25
5.5/7.5	1500	132	MM13554-EX1	3GGP132220-ADH+332	M3GP 132SMB 4	2,405	M1	22.50	225	400D/415D/690Y,50hz	11.4	No	11, 25
7.5/10	1500	132	MM13754-EX1	3GGP132240-ADH+332	M3GP 132SMD 4	2,831	M1	22.50	244	400D/415D/690Y,50hz	16.1	No	11, 25
11/15	1500	160	MM16114-EX1	3GGP162430-ADH+332	M3GP 160MLC 4	1,980	M1	27.99	498	400D/415D/690Y,50hz	21.2	No	11, 25
15/20	1500	160	MM16154-EX1	3GGP162450-ADH+332	M3GP 160MLE 4	2,493	M1	27.99	549	400D/415D/690Y,50hz	28	No	11, 25
18.5/25	1500	180	MM18184-EX1	3GGP182410-ADH+332	M3GP 180MLA 4	2,880	M1	27.80	597	400D/415D/690Y,50hz	35.1	No	11, 25
22/30	1500	180	MM18224-EX1	3GGP182420-ADH+332	M3GP 180MLB 4	3,388	M1	27.80	615	400D/415D/690Y,50hz	41.7	No	11, 25
30/40	1500	200	MM20304-EX1	3GGP202420-ADG+332	M3GP 200MLB 4	4,404	M1	30.47	672	400D/415D/690Y,50hz	54.4	No	11, 25
37/50	1500	225	MM22374-EX1	3GGP222220-ADG+332	M3GP 225SMB 4	5,276	M1	34.29	783	400D/415D/690Y,50hz	67.1	No	11, 25
45/60	1500	225	MM22454-EX1	3GGP222230-ADG+332	M3GP 225SMC 4	6,389	M1	34.29	860	400D/415D/690Y,50hz	78.4	No	11, 25
55/75	1500	250	MM25554-EX1	3GGP252210-ADG+332	M3GP 250SMA 4	7,696	M1	34.45	915	400D/415D/690Y,50hz	100	No	11, 25
75/100	1500	280	MM28754-EX1	3GGP282210-ADG+332+531	M3GP 280SMA 4	11,253	M1	42.83	1377	400D/415D/690Y,50hz	134	No	11, 25
90/125	1500	280	MM28904-EX1	3GGP282220-ADG+332+531	M3GP 280SMB 4	12,971	M1	42.83	1466	400D/415D/690Y,50hz	159	No	11, 25

(a) See notes on inside back flap.

■ Cast Iron Frame

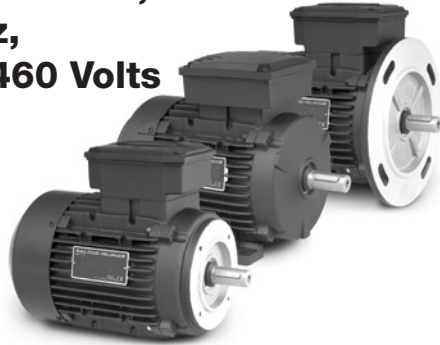
Motors are stamped with kW only.

The above motors are only suitable for VFD use on 230, 400 and 415 volts in conjunction with an ABB ACS550 or ACS800 DTC (Direct Torque Control), as well as the addition of Variant Code 163. For sizing or further details, please contact your Baldor Sales Representative.

Motors in stock may be rated ExnA II T3 or with new EPL standard ExnA IIC T3 Gc. Exna II T3 stamped motors cannot be renameplated with new EPL standard. If new EPL rating is required, please contact your Baldor sales representative.

Variant codes: 332 = Baldor Catalog number stamped on rating plate
531 = Sea freight packaging

**Metric IEC
Frame Motors,
Three Phase,
60 Hz,
230/460 Volts**



0.18 thru 1.5 kW (.25 thru 2 Hp) IEC D63 thru D90L

Applications: Replacement motors for equipment made in Europe requiring IEC metric frame mounting.

Features: Class F insulated motor that operates within class “B” temperature limits at rated horsepower. IP55 weather proof enclosure, aluminum frame construction.



kW/HP	RPM	IEC Frame	Catalog Number	List Price	Mult. Sym.	“L” Dim. (in)	Aprx. Wt. (lb)	Full Load Efficiency	60 Hz Voltage	Full Load Amps	60 Hz Use in US	Notes (a)
B3, Foot Mounted												
.18/.25	3600	D63	MM5100	272	K	8.74	8	65	230/460	0.6	Yes	11, 48
	1800	D63	MM5150	285	K	8.74	9	62	230/460	0.7	Yes	11, 48
.25/.33	3600	D63	MM5200	294	K	8.74	9	69	230/460	0.8	Yes	11, 48
	1800	D71	MM5250	300	K	9.60	13	68	230/460	0.8	Yes	11, 48
.37/.50	3600	D71	MM5300	306	K	9.60	13	71	230/460	1.0	Yes	11, 48
	1800	D71	MM5350	338	K	9.60	13	71	230/460	1.3	Yes	11, 48
.55/.75	3600	D71	MM5400	345	K	9.60	14	74	230/460	1.5	Yes	11, 48
	1800	D80	MM5450	378	K	11.26	18	73	230/460	1.7	Yes	11, 48
.75/1	3600	D80	MM5500	392	K	11.26	18	77	230/460	2.0	Yes	11, 48
	1800	D80	MM5550	411	K	11.26	20	73	230/460	2.3	Yes	11, 48
1.1/1.5	3600	D80	MM5600	452	K	11.26	21	80	230/460	2.7	Yes	11, 48
	1800	D90S	EMM5650	675	K	11.93	42	86.5	230/460	2.2	Yes	11, 48
1.5/2	3600	D90S	EMM5700	763	K	11.93	37	85.5	230/460	2.8	Yes	11, 48
	1800	D90L	EMM5750	835	K	12.91	42	86.5	230/460	2.9	Yes	11, 48
B5, Flange Mounted												
.18/.25	3600	D63D	MVM5100D	285	K	8.74	9	65	230/460	0.6	Yes	11, 48
	1800	D63D	MVM5150D	308	K	8.74	10	62	230/460	0.7	Yes	11, 48
.25/.33	3600	D63D	MVM5200D	320	K	8.74	10	69	230/460	0.8	Yes	11, 48
	1800	D71D	MVM5250D	329	K	9.60	14	68	230/460	0.8	Yes	11, 48
.37/.50	3600	D71D	MVM5300D	345	K	9.60	14	71	230/460	1.0	Yes	11, 48
	1800	D71D	MVM5350D	359	K	9.60	14	71	230/460	1.3	Yes	11, 48
.55/.75	3600	D71D	MVM5400D	362	K	9.60	15	74	230/460	1.5	Yes	11, 48
	1800	D80D	MVM5450D	404	K	11.26	19	73	230/460	1.7	Yes	11, 48
.75/1	3600	D80D	MVM5500D	418	K	11.26	19	77	230/460	2.0	Yes	11, 48
	1800	D80D	MVM5550D	443	K	11.26	21	73	230/460	2.3	Yes	11, 48
1.1/1.5	3600	D80D	MVM5600D	475	K	11.26	22	80	230/460	2.7	Yes	11, 48
	1800	D90SD	EMVM5650D	742	K	12.09	44	86.5	230/460	2.2	Yes	11, 48
1.5/2	3600	D90SD	EMVM5700D	801	K	12.09	39	85.5	230/460	2.8	Yes	11, 48
	1800	D90LD	EMVM5750D	877	K	12.09	44	86.5	230/460	2.9	Yes	11, 48
B14, Face Mounted												
.18/.25	3600	D63C	MVM5100C	281	K	8.74	8	65	230/460	0.6	Yes	11, 48
	1800	D63C	MVM5150C	304	K	8.74	9	62	230/460	0.7	Yes	11, 48
.25/.33	3600	D63C	MVM5200C	315	K	8.74	9	69	230/460	0.8	Yes	11, 48
	1800	D71C	MVM5250C	324	K	9.60	13	68	230/460	0.8	Yes	11, 48
.37/.50	3600	D71C	MVM5300C	333	K	9.60	13	71	230/460	1.0	Yes	11, 48
	1800	D71C	MVM5350C	355	K	9.60	13	71	230/460	1.3	Yes	11, 48
.55/.75	3600	D71C	MVM5400C	359	K	9.60	14	74	230/460	1.5	Yes	11, 48
	1800	D80C	MVM5450C	397	K	11.26	18	73	230/460	1.7	Yes	11, 48
.75/1	3600	D80C	MVM5500C	412	K	11.26	18	77	230/460	2.0	Yes	11, 48
	1800	D80C	MVM5550C	432	K	11.26	20	73	230/460	2.3	Yes	11, 48
1.1/1.5	3600	D80C	MVM5600C	475	K	11.26	21	80	230/460	2.7	Yes	11, 48
	1800	D90SC	EMVM5650C	742	K	12.09	42	86.5	230/460	2.2	Yes	11, 48
1.5/2	3600	D90SC	EMVM5700C	801	K	12.09	37	85.5	230/460	2.8	Yes	11, 48
	1800	D90LC	EMVM5750C	877	K	12.09	42	86.5	230/460	2.9	Yes	11, 48

(a) See notes on inside back flap.

Definite Purpose Motors

Unit Handling Motors

Brake Motors

200 & 575 Volt Motors

IEC Frame Motors

50 Hertz Motors

Inverter/Vector Motors & Controls

DC Motors and Controls

Soft Starters

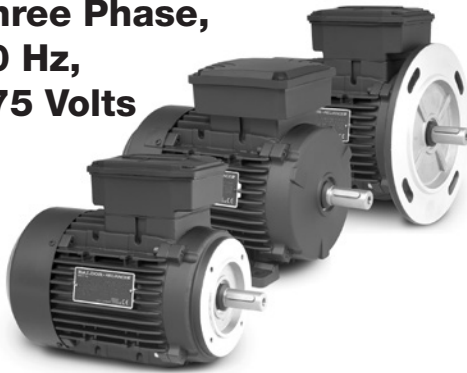
Gearmotors and Gear Products

**Metric IEC
Frame Motors,
Three Phase,
60 Hz,
575 Volts**

0.18 thru 1.5 kW (.25 thru 2 Hp) IEC D63 thru D90L

Applications: Replacement motors for equipment made in Europe requiring IEC metric frame mounting.

Features: Class F insulated motor that operates within class “B” temperature limits at rated horsepower. IP55 weather proof enclosure, aluminum frame construction.



kW/HP	RPM	IEC Frame	Catalog Number	List Price	Mult. Sym.	“L” Dim. (in)	Aprx. Wt. (lb)	Full Load Efficiency	60 Hz Voltage	Full Load Amps	60 Hz Use in US	Notes (a)
B3, Foot Mounted												
.18/.25	3600	D63	MM5100-5	272	K	8.74	8	65	575	0.44	Yes	11, 48
	1800	D63	MM5150-5	285	K	8.74	9	62	575	0.70	Yes	11, 48
.25/.33	3600	D63	MM5200-5	294	K	8.74	9	69	575	0.58	Yes	11, 48
	1800	D71	MM5250-5	300	K	9.60	13	68	575	0.73	Yes	11, 48
.37/.50	3600	D71	MM5300-5	306	K	9.60	13	71	575	0.73	Yes	11, 48
	1800	D71	MM5350-5	338	K	9.60	13	71	575	1.30	Yes	11, 48
.55/.75	3600	D71	MM5400-5	345	K	9.60	14	74	575	1.10	Yes	11, 48
	1800	D80	MM5450-5	378	K	11.26	18	73	575	1.20	Yes	11, 48
.75/1	3600	D80	MM5500-5	392	K	11.26	18	77	575	1.50	Yes	11, 48
	1800	D80	MM5550-5	411	K	11.26	20	73	575	1.70	Yes	11, 48
1.1/1.5	3600	D80	MM5600-5	452	K	11.26	21	80	575	2.00	Yes	11, 48
	1800	D90S	EMM5650-5	675	K	11.93	42	86.5	575	1.80	Yes	11, 48
1.5/2	3600	D90S	EMM5700-5	763	K	11.93	37	85.5	575	2.30	Yes	11, 48
	1800	D90L	EMM5750-5	835	K	12.91	42	86.5	575	2.40	Yes	11, 48
B5, Flange Mounted												
.18/.25	3600	D63D	MVM5100D-5	285	K	8.74	9	65	575	0.44	Yes	11, 48
	1800	D63D	MVM5150D-5	308	K	8.74	10	62	575	0.70	Yes	11, 48
.25/.33	3600	D63D	MVM5200D-5	320	K	8.74	10	69	575	0.58	Yes	11, 48
	1800	D71D	MVM5250D-5	329	K	9.60	14	68	575	0.73	Yes	11, 48
.37/.50	3600	D71D	MVM5300D-5	345	K	9.60	14	71	575	0.73	Yes	11, 48
	1800	D71D	MVM5350D-5	359	K	9.60	14	71	575	1.30	Yes	11, 48
.55/.75	3600	D71D	MVM5400D-5	362	K	9.60	15	74	575	1.10	Yes	11, 48
	1800	D80D	MVM5450D-5	404	K	11.26	19	73	575	1.20	Yes	11, 48
.75/1	3600	D80D	MVM5500D-5	418	K	11.26	19	77	575	1.50	Yes	11, 48
	1800	D80D	MVM5550D-5	443	K	11.26	21	73	575	1.70	Yes	11, 48
1.1/1.5	3600	D80D	MVM5600D-5	475	K	11.26	22	80	575	2.00	Yes	11, 48
	1800	D90SD	EMVM5650D-5	742	K	11.93	44	86.5	575	1.80	Yes	11, 48
1.5/2	3600	D90SD	EMVM5700D-5	801	K	11.93	39	85.5	575	2.30	Yes	11, 48
	1800	D90LD	EMVM5750D-5	877	K	12.91	44	86.5	575	2.40	Yes	11, 48
B14, Face Mounted												
.18/.25	3600	D63C	MVM5100C-5	281	K	8.74	8	65	575	0.44	Yes	11, 48
	1800	D63C	MVM5150C-5	304	K	8.74	9	62	575	0.70	Yes	11, 48
.25/.33	3600	D63C	MVM5200C-5	315	K	8.74	9	69	575	0.58	Yes	11, 48
	1800	D71C	MVM5250C-5	324	K	9.60	13	68	575	0.73	Yes	11, 48
.37/.50	3600	D71C	MVM5300C-5	333	K	9.60	13	71	575	0.73	Yes	11, 48
	1800	D71C	MVM5350C-5	355	K	9.60	13	71	575	1.30	Yes	11, 48
.55/.75	3600	D71C	MVM5400C-5	359	K	9.60	14	74	575	1.10	Yes	11, 48
	1800	D80C	MVM5450C-5	397	K	11.26	18	73	575	1.20	Yes	11, 48
.75/1	3600	D80C	MVM5500C-5	412	K	11.26	18	77	575	1.50	Yes	11, 48
	1800	D80C	MVM5550C-5	432	K	11.26	20	73	575	1.70	Yes	11, 48
1.1/1.5	3600	D80C	MVM5600C-5	544	K	11.26	21	80	575	2.00	Yes	11, 48
	1800	D90SC	EMVM5650C-5	742	K	11.93	42	86.5	575	1.80	Yes	11, 48
1.5/2	3600	D90SC	EMVM5700C-5	801	K	11.93	37	85.5	575	2.30	Yes	11, 48
	1800	D90LC	EMVM5750C-5	877	K	12.91	42	86.5	575	2.40	Yes	11, 48

(a) See notes on inside back flap.

Metric IEC Frame Motors, 60 Hz. – Replacement Parts List

Catalog Number	Description	List Price	Multiplier Symbol
Metric IEC D63			
LEP63FR	IEC D63, FR Endplate, (X-NDENBELL 63)	141	P1
LEP63PU	IEC D63, PU Endplate, (X-ENDBELL 63)	131	P1
LFL63B5	IEC D63D, B5, D-Flange, (FL63B5)	164	P1
LFL63B14	IEC D63C, B14, C-Face, (FL63B14)	164	P1
LFC00015	IEC D63, Fan Cover, (XCR00015)	87	P1
LFN00021	IEC D63, Plastic Fan, (XVN00021)	72	P1
LCB63X71	IEC D63-D71, Terminal Box, (XCA00063)	182	P1
Metric IEC D71			
LEP71FR	IEC D71, FR Endplate, (X-NDENBELL 71)	141	P1
LEP71PU	IEC D71, PU Endplate, (X-ENDBELL 71)	131	P1
LFL71B5	IEC D71D, B5, D-Flange, (FL71B5)	182	P1
LFL71B14	IEC D71C, B14, C-Face, (FL71B14)	182	P1
LFC00021	IEC D71, Fan Cover, (XCR00021)	87	P1
LFN00031	IEC D71, Plastic Fan, (XVN00031)	72	P1
LCB63X71	IEC D63-D71, Terminal Box, (XCA00063)	182	P1
LBA71	IEC D71, Horz Base (XHDP71)	80	P1
Metric IEC D80			
LEP80FR	IEC D80, FR Endplate, (X-NDENBELL 80)	149	P1
LEP80PU	IEC D80, PU Endplate, (X-ENDBELL 80)	141	P1
LFL80B5	IEC D80D, B5, D-Flange, (FL80B5)	187	P1
LFL80B14	IEC D80C, B14, C-Face, (FL80B14)	187	P1
LFC00035	IEC D80, Fan Cover, (XCR00035)	98	P1
LFN00041	IEC D80, Plastic Fan, (XVN00041)	103	P1
LCB80X112	IEC D80-D112, Terminal Box, (XCA00090)	182	P1
LBA80	IEC D80, Horz Base (XHDP80)	123	P1
Metric IEC D90			
LEP90FR	IEC D90, FR Endplate, (X-NDENBELL 90)	159	P1
LEP90PU	IEC D90, PU Endplate, (X-ENDBELL 90)	146	P1
LFL90B5	IEC D90D, B5, D-Flange, (FL90B5)	210	P1
LFL90B14	IEC D90C, B14, C-Face, (FL90B14)	210	P1
LFC00041	IEC D90, Fan Cover, (XCR00041)	105	P1
LFN00051	IEC D90, Plastic Fan, (XVN00051)	115	P1
LCB80X112	IEC D80-D112, Terminal Box, (XCA00090)	182	P1
LBA90	IEC D90, Horz Base (XHDP90)	210	P1

Replacement parts for motors on pages 183-184 only. Not for use on ABB motors

Definite Purpose
Motors

Unit Handling
Motors

Brake Motors

200 & 575 Volt
Motors

IEC Frame
Motors

50 Hertz
Motors

Inverter/Vector
Motors & Controls

DC Motors
and Controls

Soft Starters

Gearmotors and
Gear Products

Metric IEC Frame Motors, Three Phase, 60 Hz

0.18 thru 1.5 kW (.25 thru 2 Hp) IEC D63 thru D90L

Applications: Replacement motors for equipment made in Europe requiring IEC metric frame mounting.

Features: Class F insulated motor with 1.15 service factor or higher that operates within class "B" temperature limits at rated horsepower. IP55 weather proof enclosure, aluminum frame construction. CSA and CSAUs certification #1282269 (LR112981).

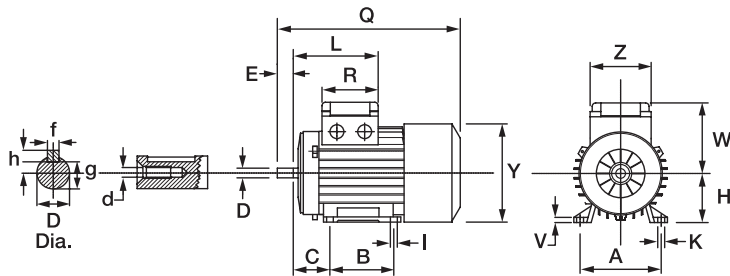


Dimensions

IEC Frame	Ø D	E	f	g	h	L	Q	R	V	Y	Z	d
63	11	23	4	8.5	4	112	222	92	8	123	90	M4
71	14	30	5	11	5	115	244	92	8	139	90	M5
80	19	40	6	15.5	6	137	286	116	9.5	157	111	M6
90 S	24	50	8	20	7	143	317	116	11	177	111	M8
90 L	24	50	8	20	7	143	317	116	11	177	111	M8

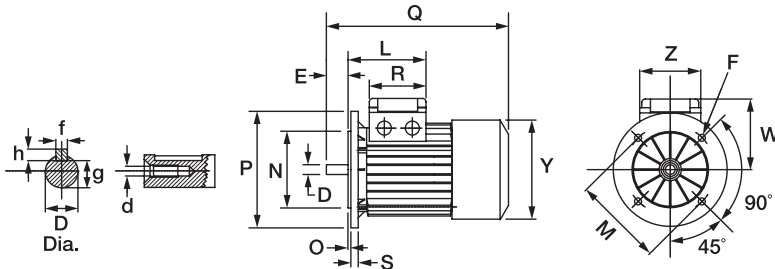
Drawings for motors on pages 183-184 only. Not for use on ABB motors

B3 - Foot Mount



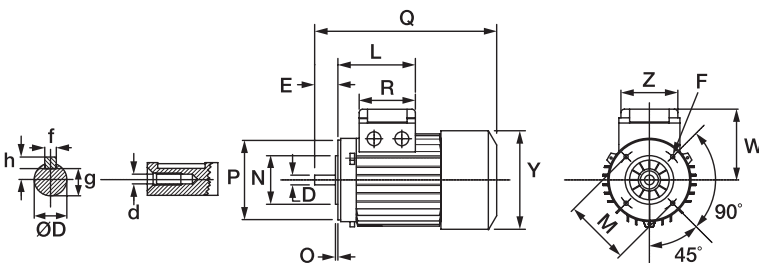
IEC Frame	A	B	C	H	I	K	W
63	100	80	40	63	8	10.5	96.5
71	112	90	45	71	7	10.5	111
80	125	100	50	80	9	14	129
90 S	140	100	56	90	10	14	138
90 L	140	125	56	90	10	14	138

B5 - Flange Mount



IEC Frame	F	Ø M	Ø N	O	Ø P	S
63	9.5	115	95	3	140	10
71	9.5	130	110	3.5	160	12
80	11.5	165	130	3.5	200	12
90 S	11.5	165	130	3.5	200	12
90 L	11.5	165	130	3.5	200	12

B14 - Face Mount



IEC Frame	F	Ø M	Ø N	O	Ø P
63	M5	75	60	2.5	90
71	M6	85	70	2.5	105
80	M6	100	80	3	120
90 S	M8	115	95	3	140
90 L	M8	115	95	3	140

**Metric IEC,
Three Phase,
60 Hz, TEFC,
Foot Mounted**

**0.18 thru 30 kW
(.25 thru 40 Hp)**

IEC D63 thru D200L

IP54



Applications: Pumps, fans, conveyors, machine tools, gear reducers and other applications requiring IEC metric B3 base mount replacements.

Features: IEC-B3 mount. Conforms to IEC 60072-1 and IEC 60034-1. Conduit box mounted F-2. Rigid Base. Pressure cast aluminum end plates with ribbed design for rigidity. Ball bearings with a locked drive end bearing, heavy-gauge steel frames and gasketed conduit box. Motors with shaded rows have cast iron frames and endplates.

kW/HP	RPM	IEC Frame	Catalog Number	List Price	Mult. Sym.	"L" Dim. (in)	Aprx. Wt. (lb)	Full Load Efficiency	60 Hz Voltage	Full Load Amps	60 Hz Use in US	Notes (a)
.18/.25	1800	D63	MM3454	311	K	10.47	20	72	230/460	0.6	Yes	2, 30
	3600	D63	MM3457	290	K	10.47	19	72	230/460	0.6	Yes	2, 30
.25/.33	1800	D71	MM3458	343	K	10.43	20	74	230/460	0.7	Yes	2, 30
	3600	D71	MM3460	327	K	10.43	20	72	230/460	0.6	Yes	2, 30
.37/.50	1800	D71	MM3461	405	K	10.43	19	71	208-230/460	1.2	Yes	2
	3600	D71	MM3463	362	K	10.93	24	72	230/460	1.2	Yes	2, 30
.55/.75	1800	D80	MM3542	434	K	10.73	27	75.5	208-230/460	1.5	Yes	2
	3600	D80	MM3545	428	K	10.73	25	77	208-230/460	1.5	Yes	2
.75/1	1800	D80	MM3546	451	K	12.23	33	75.5	208-230/460	1.8	Yes	2
	3600	D80	MM3550	476	K	11.35	30	82.5	208-230/460	2.1	Yes	2
1.1/1.5	1800	D90S	EMM3554	767	L1	13.00	44	86.5	208-230/460	2.2	Yes	
	3600	D90S	EMM3555	733	L1	13.87	51	86.5	208-230/460	2.5	Yes	
1.5/2	1800	D90L	EMM3558	783	K	13.87	45	86.5	208-230/460	2.9	Yes	
	3600	D90L	EMM3559	881	L1	15.26	60	87.5	208-230/460	3.5	Yes	
2.2/3	1800	D100L	EMM3611	879	L1	15.76	71	89.5	208-230/460	4.2	Yes	
	3600	D100L	EMM3613	893	L1	15.76	78	88.5	208-230/460	5.6	Yes	
3.7/5	1800	D112M	EMM3615	954	L1	17.66	90	89.5	208-230/460	6.7	Yes	
	3600	D132S	EMM3709	1,347	L1	17.66	118	89.5	208-230/460	9	Yes	
5.5/7.5	1800	D132S	EMM3710	1,365	L1	18.79	130	91.7	208-230/460	9.4	Yes	
	3600	D132S	EMM3711	1,412	L1	17.66	119	90.2	208-230/460	11.8	Yes	
7.5/10	1800	D132M	EMM3714	1,544	L1	20.29	165	91.7	208-230/460	12	Yes	
	11/15	1800	D160M	EMM2333	2,221	L1	23.51	250	92.4	208-230/460	18.1	Yes
15/20	1800	D160L	EMM2334	2,696	L1	23.63	313	93	208-230/460	25	Yes	
18.5/25	1800	D180M	EMM4103	3,544	L1	27.48	402	93.6	208-230/460	31	Yes	
22/30	1800	D180L	EMM4104	4,184	L1	27.48	424	93.6	208-230/460	38	Yes	
30/40	1800	D200L	EMM4110	5,482	L1	29.35	607	94.1	208-230/460	48	Yes	

(a) See notes on inside back flap.

■ Cast Iron Frame

Definite Purpose Motors

Unit Handling Motors

Brake Motors

200 & 575 Volt Motors

IEC Frame Motors

50 Hertz Motors

Inverter/Vector Motors & Controls

DC Motors and Controls

Soft Starters

Gearmotors and Gear Products

BALDOR • RELIANCE®

Metric IEC, Three Phase, 60 Hz, TEFC, B5 Flange

IEC D71D thru D132MD

IP54

Applications: Pumps, fans, conveyors, machine tools, gear reducers and other applications requiring IEC metric B5 flange mount replacements.

Features: IEC-B5 flange mount. Conduit box mounted F-2. Conforms to IEC 60072-1 and IEC 60034-1. Pressure cast aluminum end plates with ribbed design for rigidity. Ball bearings with a locked drive end bearing, heavy-gauge steel frames and gasketed conduit box.



kW/Hp	RPM	IEC Frame	Catalog Number	List Price	Mult. Sym.	"L" Dim. (in)	Aprx. Wt. (lb)	Full Load Efficiency	60 Hz Voltage	Full Load Amps	60 Hz Use in US	Notes (a)
.25/.33	3600	D71D	MVM3457D	446	K	10.74	20	72	230/460	0.6	Yes	30
	1800	D71D	MVM3458D	538	K	10.74	20	74	230/460	0.7	Yes	30
.37/.50	3600	D71D	MVM3460D	514	K	10.74	20	72	230/460	0.6	Yes	30
	1800	D71D	MVM3461D	541	K	10.74	20	71	230/460	1.2	Yes	1, 30
.55/.75	3600	D71D	MVM3463D	536	K	11.24	25	75.2	230/460	1.2	Yes	2, 30
	1800	D80D	MVM3542D	571	K	10.73	27	75.5	208-230/460	1.5	Yes	
.75/1	3600	D80D	MVM3545D	629	K	10.73	25	75.5	230/460	1.8	Yes	30
	1800	D80D	MVM3546D	653	K	12.23	33	75.5	208-230/460	1.8	Yes	
1.1/1.5	3600	D80D	MVM3550D	662	L1	11.61	38	75.5	208-230/460	2.3	Yes	
	1800	D90SD	MVM3554D	673	L1	13.01	45	84	208-230/460	2.4	Yes	
1.5/2	3600	D90LD	MVM3555D	721	L1	13.01	50	84	208-230/460	2.6	Yes	
	1800	D90LD	MVM3558D	698	L1	13.01	47	84	208-230/460	3.1	Yes	
2.2/3	3600	D90LD	MVM3559D	794	L1	13.89	55	85.5	208-230/460	3.7	Yes	1
	1800	D100D	MVM3611D	857	L1	17.96	79	87.5	208-230/460	4.2	Yes	1
3.7/5	3600	D100LD	MVM3613D	981	L1	15.77	79	87.5	208-230/460	5.8	Yes	1
	1800	D112MD	MVM3615D	925	L1	15.77	86	87.5	208-230/460	6.8	Yes	1
5.5/7.5	3600	D132SD	MVM3709D	1308	L1	20.47	113	88.5	208-230/460	8.7	Yes	1
	1800	D132SD	MVM3710D	1166	L1	19.35	139	89.5	208-230/460	10.1	Yes	1
7.5/10	3600	D132SD	MVM3711D	1551	L1	19.35	137	89.5	208-230/460	12	Yes	1
	1800	D132MD	MVM3714D	1423	L1	20.48	155	89.5	208-230/460	13.5	Yes	2, 20

(a) See notes on inside back flap.

Metric IEC, Three Phase, 60 Hz, TEFC, B14 Face

IEC D71C thru D112MC

IP54

Applications: Pumps, fans, conveyors, machine tools, gear reducers and other applications requiring IEC metric B14 face mounting replacements.

Features: IEC-B14 face mounting. Conduit box mounted F-2. Pressure cast aluminum end plates with ribbed design for rigidity. Ball bearings with a locked drive end bearing, heavy-gauge steel frames and gasketed conduit box.



kW/Hp	RPM	IEC Frame	Catalog Number	List Price	Mult. Sym.	"L" Dim. (in)	Aprx. Wt. (lb)	Full Load Efficiency	60 Hz Voltage	Full Load Amps	60 Hz Use in US	Notes (a)
.25/.33	1800	D71C	MVM3458C	472	K	10.74	22	74	230/460	0.7	Yes	30
	3600	D71C	MVM3460C	503	K	10.74	22	72	230/460	0.6	Yes	30
.37/.50	1800	D71C	MVM3461C	531	K	10.74	22	71	208-230/460	1.2	Yes	2
	3600	D71C	MVM3463C	523	K	11.24	26	75.5	230/460	1.4	Yes	30
.55/.75	1800	D80C	MVM3542C	557	K	11.11	26	75.5	208-230/460	1.5	Yes	
	3600	D80C	MVM3545C	619	K	11.11	26	75.5	230/460	1.8	Yes	2, 30
.75/1	1800	D80C	MVM3546C	638	K	12.61	32	75.5	208-230/460	1.8	Yes	
	3600	D80C	MVM3550C	645	L1	11.38	34	75.5	208-230/460	2.3	Yes	
1.1/1.5	1800	D90SC	MVM3554C	662	L1	13.75	45	84	208-230/460	2.4	Yes	
	3600	D90SC	MVM3555C	708	L1	13.75	51	84	208-230/460	2.6	Yes	
1.5/2	1800	D90LC	MVM3558C	679	L1	13.75	49	84	208-230/460	3.1	Yes	
	3600	D90LC	MVM3559C	776	L1	14.63	56	85.5	208-230/460	3.7	Yes	1
2.2/3	1800	D100C	MVM3611C	841	L1	15.75	72	87.5	208-230/460	4.2	Yes	1
	3600	D100LC	MVM3613C	966	L1	15.88	71	87.5	208-230/460	5.8	Yes	1
3.7/5	1800	D112MC	MVM3615C	907	L1	15.88	74	87.5	208-230/460	6.8	Yes	1

(a) See notes on inside back flap.

Definite Purpose Motors

Unit Handling Motors

Brake Motors

200 & 575 Volt Motors

IEC Frame Motors

50 Hertz Motors

Inverter/Vector Motors & Controls

DC Motors and Controls

Soft Starters

Gearmotors and Gear Products

**Single Phase,
NEMA Frame,
TEFC and ODP,
Foot Mounted**

1/3 thru 5 Hp

NEMA 48 thru 213T

Applications: Pumps, fans and other applications where only 50 hertz power is available.

Features: CE certified. Windings tied each end at every slot for rigidity. Ball bearings, high temperature insulation, copper windings.



Hp	RPM 50 Hz.	NEMA Frame	Catalog Number	List Price	Mult. Sym.	"C" Dim.	Aprx. Wt. (lb)	Full Load Efficiency	Voltage	Full Load Amps	Notes (a)
Totally Enclosed Fan Cooled, IP54											
1/3	1500	56	L3501-50	418	K	11.34	25	59	110/220	3.2	1
	3000	56	L3503-50	409	K	11.35	27	68	110/220	3.3	
1/2	1500	48	L3409-50	476	K	12.22	31	62	110/220	3.6	
		56	L3504-50	476	K	12.84	32	62	110/220	3.6	
3/4	3000	56	L3506-50	456	K	12.23	35	62	110/220	4.6	
	1500	56	L3507-50	565	K	13.25	38	66	110/220	5	
1	3000	56	L3509-50	531	K	13.23	40	68	110/220	6.3	
	1500	56	L3510-50	650	K	14.12	47	68	110/220	6.2	
1 1/2	3000	56	L3513-50	699	K	14.11	48	68	110/220	9	1
		56	L3514-50	734	K	14.13	46	73	110/220	8	
	1500	145T	L3514T-50	734	L1	14.18	51	73	110/220	8	
2	3000	56	L3515-50	909	K	14.11	53	77	110/220	9.7	1
	1500	182T	L3605T-50	1,039	L1	16.56	76	81	110/220	10	
3	1500	184T	L3609T-50	1,223	L1	18.06	95	84.5	110/220	12.5	2
5	1500	213T	L3708T-50	1,462	L1	17.89	119	84	220	22	2
Open Drip Proof, IP22											
1/3	3000	48	L1205-50	309	K	9.13	22	64.9	110/220	2.6	
	1500	48	L1206-50	376	K	9.38	24	62	110/220	2.3	
1/2	1500	48	L1208-50	340	K	9.75	25	68	110/220	3.3	
		56	L1304-50	428	K	11.01	29	62	110/220	3.7	
3/4	3000	56	L1306-50	414	K	11.01	28	64	110/220	5.3	
	1500	56	L1307-50	529	K	12.07	38	66	110/220	5	
1	3000	56	L1309-50	436	K	11.51	34	66	110/220	6	
	1500	56	L1318-50	645	K	12.07	41	68	110/220	6.5	2
1 1/2	3000	56	L1313-50	612	K	12.07	43	68	110/220	9.2	
	1500	56	L1319-50	744	K	12.07	41	68	110/220	11.5	2
2	3000	56	L1317-50	815	K	12.94	47	70	110/220	12	2
	1500	182T	L1405T-50	865	L1	15.00	66	69	110/220	14	2
3	1500	184T	L1408T-50	934	L1	16.50	91	75.5	110/220	16	
5	1500	213T	L1508T-50	1,462	L1	16.32	112	82.5	220	21.6	2

(a) See notes on inside back flap.

IP22 = Open Drip Proof, IP54 = Totally Enclosed Fan Cooled.

ALL MOTORS LISTED ABOVE ARE SPECIFICALLY DESIGNED FOR OPERATION WITH 50 HZ. POWER.

Definite Purpose
Motors

Unit Handling
Motors

Brake Motors

200 & 575 Volt
Motors

IEC Frame
Motors

50 Hertz
Motors

Inverter/Vector
Motors & Controls

DC Motors
and Controls

Soft Starters

Gearmotors and
Gear Products

BALDOR • RELIANCE

Three Phase,
NEMA Frame,
TEFC and ODP,
Foot Mounted

1/2 thru 60 Hp

NEMA 56 thru 364T

Applications: Pumps, fans and other applications where only 50 hertz power is available.

Features: CE certified. Windings tied each end at every slot for rigidity. Ball bearings, high temperature insulation, copper windings.



Hp	RPM 50 Hz.	NEMA Frame	Catalog Number	List Price	Mult. Sym.	"C" Dim.	Aprx. Wt. (lb)	Full Load Efficiency	Voltage	Full Load Amps	Notes (a)
Totally Enclosed Fan Cooled, IP54											
1/2	1500	56	M3538-57	446	K	11.35	26	73	230/400	1	
3/4	3000	56	M3541-57	446	K	11.35	25	75.5	230/400	1.4	
	1500	56	M3542-57	477	K	12.85	32	75.5	230/400	1.8	
1	3000	56	M3545-57	543	K	11.35	27	78.5	230/400	1.7	
	1500	143T	M3546T-57	555	L1	12.31	33	80	230/400	1.8	
1 1/2	3000	143T	M3550T-57	630	L1	12.31	37	80	230/400	2.4	
	1500	145T	M3554T-57	565	L1	13.31	39	81.5	230/400	2.5	
2	3000	145T	M3555T-57	692	L1	13.31	44	81.5	230/400	3	
	1500	145T	M3558T-57	596	L1	14.19	46	82.8	230/400	3.4	
3	3000	182T	M3610T-57	882	L1	16.52	66	84	230/400	4.2	
	1500	182T	M3611T-57	700	L1	16.54	71	85	230/400	4.9	
5	3000	184T	M3613T-57	1,014	L1	16.54	76	86	230/400	6.6	
	1500	184T	M3615T-57	808	L1	18.04	96	87.5	230/400	7.5	
7 1/2	3000	213T	M3709T-58	1,493	L1	17.89	113	87.5	400	10.7	
	1500	213T	M3710T-58	1,027	L1	19.01	130	87.7	400	11.2	
10	3000	215T	M3711T-58	1,563	L1	19.76	160	88.5	400	13.8	
	1500	215T	M3714T-58	1,249	L1	19.76	158	89.5	400	14.7	
15	1500	254T	M2333T-58	2,193	L1	21.07	245	90.2	400	22	
20	1500	256T	M2334T-58	2,646	L1	23.35	305	91.2	400	28	
25	1500	284T	M4103T-58	3,725	L1	27.76	397	91.2	400	35	
30	1500	286T	M4104T-58	4,403	L1	27.76	417	91.6	400	42	
40	1500	324T	M4110T-58	5,759	L1	30.28	554	92.3	400	56	
50	1500	326T	M4115T-58	6,252	L1	30.28	614	92.7	400	67	
60	1500	364T	M4314T-58	8,129	L1	33.44	904	94.1	400	80.5	
Open Drip Proof, IP22											
1/2	1500	56	M3108-57	393	K	10.12	26	73	230/400	1	
3/4	1500	56	M3112-57	437	K	10.12	26	70	230/400	1.9	
1	1500	56	M3116-57	494	K	11.07	20	80	230/400	1.8	
		143T	M3116T-57	497	L1	11.12	20	81	230/400	1.8	
1 1/2	1500	145T	M3154T-57	528	L1	12.13	25	81.5	230/400	2.5	
2	1500	145T	M3157T-57	543	L1	13.00	32	82.8	230/400	3.4	
3	1500	182T	M3211T-57	621	L1	15.00	58	85	230/400	4.9	
5	1500	184T	M3218T-57	687	L1	16.50	92	87.5	230/400	7.5	
7 1/2	1500	213T	M3311T-58	972	L1	16.32	105	87.7	400	11.5	
10	1500	215T	M3313T-58	1,189	L1	17.45	117	88.7	400	15.1	
15	1500	254T	M2513T-58	1,797	L1	20.51	187	89.8	400	21.4	
20	1500	256T	M2515T-58	2,314	L1	21.69	235	90.6	400	28	

(a) See notes on inside back flap.
IP22 = Open Drip Proof, IP54 = Totally Enclosed Fan Cooled.

ALL MOTORS LISTED ABOVE ARE SPECIFICALLY DESIGNED FOR OPERATION WITH 50 HZ. POWER. THREE PHASE, 50 HZ. MOTORS SHOWN IN THIS CATALOG ARE SUITABLE FOR USE ON 400 VOLT OR 415 VOLT 50 HZ. POWER SUPPLIES.

■ Cast Iron Frame

Definite Purpose
Motors

Unit Handling
Motors

Brake Motors

200 & 575 Volt
Motors

IEC Frame
Motors

50 Hertz
Motors

Inverter/Vector
Motors & Controls

DC Motors
and Controls

Soft Starters

Gearmotors and
Gear Products

Single and Three Phase, NEMA Frame, TEFC, C-Face, Footless

1/4 thru 2 Hp

NEMA 56C thru 145TC

Applications: Pumps, fans, gear reducers, conveyors and many other applications with 50 Hz power supply.

Features: CE certified. Heavy gauge steel frame construction, pressure-cast aluminum endplates with machined steel bearing inserts for extended bearing life.



Hp	RPM 50 Hz.	NEMA Frame	Catalog Number	List Price	Mult. Sym.	"C" Dim.	Aprx. Wt. (lb)	Full Load Efficiency	Voltage	Full Load Amps	Notes (a)
Single Phase, IP54											
1/3	1500	56C	VL3501-50	459	K	11.35	17	59	110/220	3.2	1
1/2	3000	56C	VL3503-50	416	K	11.35	25	68	110/220	3.3	
	1500	56C	VL3504-50	532	K	12.85	31	62	110/220	3.6	
3/4	3000	56C	VL3506-50	480	K	12.25	35	62	110/220	4.6	
	1500	56C	VL3507-50	630	K	13.25	39	66	110/220	5	
1	3000	56C	VL3509-50	564	K	13.25	40	68	110/220	6.3	
	1500	56C	VL3510-50	721	K	14.12	47	68	110/220	6.2	
1 1/2	3000	56C	VL3513-50	726	K	14.12	48	68	110/220	9	1
	1500	56C	VL3514-50	815	K	14.12	51	73	110/220	8	
2	3000	56C	VL3515-50	921	K	14.12	52	77	110/220	9.7	1
Three Phase, IP54											
1/4	1500	56C	KM3454-57	361	K	11.35	20	64	230/400	0.7	
1/3	1500	56C	VM3534-57	408	K	11.35	21	68	230/400	1	
1/2	3000	56C	VM3537-57	443	K	11.35	22	72	230/400	1.1	
	1500	56C	VM3538-57	477	K	11.35	25	73	230/400	1	
3/4	3000	56C	VM3541-57	462	K	11.35	26	75.5	230/400	1.4	
	1500	56C	VM3542-57	512	K	12.85	32	75.5	230/400	1.8	
1	3000	56C	VM3545-57	548	K	11.35	26	78.5	230/400	1.7	
	1500	56C	VM3546-57	543	K	12.23	35	80	230/400	1.8	
		143TC	VM3546T-57	543	L1	12.29	34	80	230/400	1.8	
1 1/2	3000	143TC	VM3550T-57	596	L1	12.29	36	80	230/400	2.4	
	1500	145TC	VM3554T-57	564	L1	13.29	38	81.5	230/400	2.5	
2	3000	56C	VM3555-57	592	K	13.23	44	81.5	230/400	3	
		143TC	VM3555T-57	651	L1	13.29	43	81.5	230/400	3	
	1500	145TC	VM3558T-57	598	L1	14.17	46	82.8	230/400	3.4	

(a) See notes on inside back flap.

IP54 = Totally Enclosed Fan Cooled.

ALL MOTORS LISTED ABOVE ARE SPECIFICALLY DESIGNED FOR OPERATION WITH 50 HZ. POWER. THREE PHASE, 50 HZ. MOTORS SHOWN IN THIS CATALOG ARE SUITABLE FOR USE ON 400 VOLT OR 415 VOLT 50 HZ. POWER SUPPLIES.

Definite Purpose Motors

Unit Handling Motors

Brake Motors

200 & 575 Volt Motors

IEC Frame Motors

50 Hertz Motors

Inverter/Vector Motors & Controls

DC Motors and Controls

Soft Starters

Gearmotors and Gear Products

Single and Three Phase, NEMA Frame, Explosion Proof, C-Face, Foot Mounted

1/3 thru 2 Hp

NEMA 56C thru 182TC

Applications: Ideal for use on pumps, blowers, valves, and gearboxes where hazardous fumes and dust are present requiring Div 1 UL listed and/or CSA approved enclosures.

Features: UL & CSA approved for Class I, Group D; Class I, Group D, Class II, Group F & G. Totally enclosed heavy gauge steel construction with locked drive end bearing. Corrosion resistant epoxy finish. Single or Three Phase design. 1.0 Service Factor. Fixed speed sine wave operation only. No Drip Cover.



Hp	RPM	NEMA Frame	Catalog Number	XP Cls/Grp	Temp Code	List Price	Mult. Sym.	"C" Dim.	Aprx. Wt. (lb)	Full Load Efficiency	Voltage	Full Load Amps	Notes (a)
Single Phase													
1/3	1500	56C	CL5001A-50	②	T3C	911	K	14.22	35	59.5	110/220	2.6	2
1/2	1500	56C	CL5004A-50	②	T3C	912	K	15.22	45	62	110/220	3.6	2
3/4	1500	56C	CL5007A-50	②	T4	1,061	K	15.17	52	70	110/220	4.8	2
1	1500	56C	CL5023-50	①	T3C	1,122	K	16.05	56	68	110/220	6.2	2
2	1500	182TC	CL5027T-50	①	T2C	2,485	L1	20.36	121	77	110/220	11.5	2
Three Phase													
1/2	1500	56C	CM7006-57	②	T3C	994	K	14.22	36	73	230/400	1	-
3/4	1500	56C	CM7010-57	②	T3C	1,017	K	15.22	42	75.5	230/400	1.7	2
1	3000	56C	CM7013-57	②	T3C	1,028	K	14.22	34	78.5	230/400	1.7	-
	1500	56C	CM7014-57	②	T3C	1,087	K	15.22	45	74	230/400	2	2
1 1/2	3000	143TC	CM7018T-57	②	T3C	1,169	L1	14.36	47	80	230/400	2.4	-
	1500	143TC	CM7034T-57	②	T3C	1,198	L1	15.23	49	81.5	230/400	2.5	2
2	3000	145TC	CM7071T-57	②	T3C	1,209	L1	15.23	50	78.5	230/400	3.2	2
	1500	145TC	CM7037T-57	②	T3C	1,293	L1	16.10	59	84	230/400	3.4	2

(a) See notes on inside back flap.

① = Class I, Group D; ② = Class I, Group D, Class II, Group F & G

CAUTION: Explosion-proof motors have a tight fit between mating parts to ensure the integrity of the explosion-proof enclosure. This can lead to an accumulation of moisture inside the motors due to condensation. Care should be used when selecting an explosion-proof motor, especially when installed outdoors and on intermittent duty. These explosion proof motors are not suitable for use with adjustable speed drives. Inverter Duty explosion proof motors must be used. See pages 88-90.

Definite Purpose Motors

Unit Handling Motors

Brake Motors

200 & 575 Volt Motors

IEC Frame Motors

50 Hertz Motors

Inverter/Vector Motors & Controls

DC Motors and Controls

Soft Starters

Gearmotors and Gear Products

AC Motor Adjustable Speed Range Capabilities

Inverter Drive, Vector Drive, V*S Master and RPMAC Motors

Inverter Drive, Vector Drive, V*S Master and RPMAC Motors exceed all requirements of NEMA MG-1 Parts 30 and 31 for AC induction motors powered from adjustable speed inverter control. Satisfactory motor performance depends on proper drive setup.

Super-E® Motors

Super-E motors are Inverter-Ready and meet NEMA MG 1 Part 31.4.4.2. Super-E motors are suitable for use with inverter drives. Motor inverter setup is unique to each specific application. Proper setup and wiring procedures must be closely followed.

Application Considerations

It is necessary that motor-drive applications are commissioned by persons familiar with the operation and setup of adjustable speed drives, applicable electrical codes and any other regulations.

Each drive must be tuned to the motor for the specific application. System operating parameters must be checked, including voltage at motor power leads, to insure that motor/drive setup has been successfully completed.

Applications that are not properly setup can lead to substandard performance and failure of system components. In some installations, shaft grounding and isolated bearings may prevent bearing fluting and are available as an option or through Mod Express.

Reference the chart below for constant torque and variable torque capabilities for each product family. Torque performance depends upon proper drive setup.

Motors 48 body style and smaller are suitable for maximum 230V inverter operation.

Efficiency Savings

Significant energy savings can be achieved when applying Inverter Ready motors such as the Baldor Super-E to centrifugal load applications (fan and centrifugal pump) and running at reduced speed taking advantage of the affinity laws where motor load and corresponding energy consumption is reduced by the cube of the speed.

Family	Enclosure	Frame Size	Constant Torque	Variable Torque	Comments
Super-E® Motors 230, 460 and 575 Volts (2)					
EM	TEFC	56-210 (1)	20:1	20:1	General Purpose Premium Efficient
		250-320	10:1	20:1	
		360-400	4:1	20:1	
		444-449	2:1	20:1	
EM	ODP	56-210 (1)	10:1	20:1	General Purpose Premium Efficient
		250-320	5:1	20:1	
		360 - 449	2:1	20:1	
ECP/XEX and ECP8/841XL	TEFC	Please refer to table on page 51.			Severe Duty Premium Efficient
EWDM	TENV,TEFC	56-256 (1)	20:1	20:1	Washdown Duty Premium Efficient
ESS/SSE	TEFC	56-250	2:1	10:1	Stainless Steel Washdown Duty
	TENV	56-140	4:1	10:1	
Standard-E Motors 230/460 and 575V (2) (3)					
M (TEFC)		56-326T frames (1)	4:1	20:1	General Purpose motors
		360T - 449T	2:1	20:1	
M (ODP)		56-326T frames (1)	4:1	20:1	
		360T - 449T	2:1	20:1	
CP/XT		145T frames	4:1	20:1	Severe Duty
		180T-445T frames	2:1	20:1	
		447T-449T frames	2:1	20:1	
WDM		56-215T frames (1)	4:1	20:1	Washdown Duty
Inverter Duty and Vector Duty Motors 230, 460 and 575 Volts					
IDCSWDM	TENV	56-140	5:1	10:1	Inverter Duty, Paint Free
IDCSWDM	TEFC	56-215	3:1	10:1	Inverter Duty, Paint Free
IDM	TEBC	143-5009	1000:1	1000:1	Inverter Duty, Blower Cooled
IDNM	TENV	143-256	1000:1	1000:1	Inverter Duty, Totally Enclosed Non-Ventilated
ZDM	TEBC	143-5009	1000:1	1000:1	Vector Duty, Blower Cooled
ZDNM	TENV	143-256	1000:1	1000:1	Vector Duty, Non-Ventilated
IDXM	TEXP	182-405	2:1	10:1	Inverter Duty, Explosion Proof
(2 families)		56-405	10:1	10:1	
IDWNM	TENV	143-254	1000:1	1000:1	Inverter Duty, Washdown, Non-Ventilated
ZDWNM	TENV	143-254	1000:1	1000:1	Vector Duty, Washdown, Non-Ventilated
V*S Master Motors 230 & 460 Volts					
IDNVSM	TENV	56-256	1000:1	1000:1	Inverter Duty, TENV, V*S Master
IDVSM	TEFC	182-449	1000:1	1000:1	Inverter Duty, TEFC, V*S Master
ZDNVSM	TENV	56-256	1000:1	1000:1	Vector Duty, TENV, V*S Master
ZDVSM	TEFC	182-449	1000:1	1000:1	Vector Duty, TEFC, V*S Master
ZDVSCP	TEFC-XT	143-326	1000:1	1000:1	Vector Duty, TEFC-XT, V*S Master
RPMAC Motors 230 & 460					
IDRPMN	TENV	FL180-FL210	1000:1	1000:1	Inverter Duty, TENV, RPMAC
IDRPMN	TEFC, TEBC, DPG-FV	FL180-FL440	1000:1	1000:1	Inverter Duty, TEFC, TEBC, DPG-FV, RPMAC
ZDNRPM	TENV	FL180-FL210	1000:1	1000:1	Vector Duty, TENV, RPMAC
ZDRPM	TEFC, TEBC	FL180-L400	1000:1	1000:1	Vector Duty, TEFC & TEBC, RPMAC
ZDPM	TEBC	FL180 - FL440	1000:1	1000:1	Vector Duty, TEBC, PM, RPMAC

(1) Baldor type 35M frames and larger

(2) For greater speed range capabilities, please select an Inverter Duty®, Vector Duty®, V*S Master or RPM AC type motor, or contact your local Baldor Sales Office for a custom motor design.

(3) Standard-E EPAAct efficient motors are suitable for use in adjustable speed applications per NEMA MG 1 Part 30.

Definite Purpose Motors

Unit Handling Motors

Brake Motors

200 & 575 Volt Motors

IEC Frame Motors

50 Hertz Motors

Inverter/Vector Motors & Controls

DC Motors and Controls

Soft Starters

Gearmotors and Gear Products

**RPM AC,
Salient Pole
PM Rotor,
Three Phase,
TEBC**

10 thru 150 Hp

FL1831C thru FL2890

Applications: Extruders, conveyors, crane & hoist systems, converting, pumps, web processing, test stands, traction duty, winders, printing.

Features: Above premium efficient design utilizing salient pole PM rotor technology to achieve high efficiency, low FLA and optimized power factor. Synchronous speed performance in a compact square frame design FL180 aluminum and FL210-280 laminated steel frame design. Must be applied with VS1PM permanent magnet drive specifically designed for permanent magnet rotor performance. Speed feedback and rotor positioning provided via Tamagawa resolver (800123-5A). Continuous constant torque from base speed down to zero speed 1000:1 turn down. Premium class H insulation 40 C ambient, 1.0 S.F., ball bearings, three normally closed thermostats (one per phase). Surpasses the requirements of MG1, Part 31. Exclusive optimum pole Inverter Duty - not for across the line operation.



Hp	Base Speed RPM	C.H. Speed RPM	NEMA Frame	Catalog Number	List Price (c)	Mult. Sym.	"C" Dim.	Aprx. Wt. (lb)	Full Load Efficiency (b)	Voltage	Full Load Amps (b)	Rotor Inertia lb-ft ²	Notes (a)
10	1800	3000	FL1831C	ZDPM18010C-BV	7,233	E2	22.08	132	94.0	230/460	10.6	0.46	8, 77, 91
15	1800	3000	FL1838C	ZDPM18015C-BV	7,315	E2	22.71	158	94.6	460	16.0	0.63	8, 77, 92
20	1800	3000	FL1844C	ZDPM18020C-BV	8,892	E2	25.96	180	94.7	460	21.7	0.77	8, 77, 92
25	1800	3000	FL1852C	ZDPM18025C-BV	8,913	E2	27.96	209	95.1	460	26.6	0.96	8, 77, 92
30	1800	3000	FL1852C	ZDPM18030C-BV	8,913	E2	27.96	209	94.7	460	32.3	0.96	8, 77, 92
40	1800	3000	FL2162	ZDPM21040-BV	9,339	E2	28.55	290	94.5	460	43.2	2.14	8, 77, 93
50	1800	3000	FL2168	ZDPM21050-BV	9,674	E2	30.06	325	94.8	460	53.4	2.60	8, 77, 93
60	1800	3000	FL2173	ZDPM21060-BV	10,597	E2	31.31	355	94.8	460	65.7	2.99	8, 77, 93
75	1800	3000	FL2578	ZDPM25075-BV	17,411	E2	33.85	540	95.8	460	81.8	4.90	8, 77, 93
100	1800	3000	FL2586	ZDPM25100-BV	18,448	E2	35.85	605	95.7	460	110.6	5.83	8, 77, 93
125	1800	3000	FL2882	ZDPM28125-BV	19,486	E2	39.27	730	95.9	460	137.0	8.82	8, 77, 93
150	1800	3000	FL2890	ZDPM28150-BV	20,523	E2	41.27	805	96.0	460	168.0	10.56	8, 77, 93

(a) See notes on inside back flap.

(b) The data - including efficiency - is for fundamental sinewave components of amps and volts - and does not include losses due to inverter pwm waveshapes.

(c) List price includes magnet surcharge and resolver.

All TEBC have integral blower rated 230/460 volts 3 phase.

MUST BE APPLIED WITH DRIVE SPECIFICALLY DESIGNED FOR PERMANENT MAGNET ROTOR PERFORMANCE.

Definite Purpose Motors

Unit Handling Motors

Brake Motors

200 & 575 Volt Motors

IEC Frame Motors

50 Hertz Motors

Inverter/Vector Motors & Controls

DC Motors and Controls

Soft Starters

Gearmotors and Gear Products

RPM AC, Inverter Duty, Three Phase

Hp	Base Speed RPM	C.H. Speed RPM	NEMA Frame	Enclosure	Catalog Number	List Price	Mult. Sym.	"C" Dim.	Aprx. Wt. (lb)	Voltage	Full Load Amps	Notes (a)	
250	1800	3500	FL3614	TEBC	IDBRPM362504R1	31,279	E2	43.47	2000	460	283	93	
			L4034	TEBC	IDBRPM402504	39,164	E2	57.12	2150	460	290	93	
		2945	L3203	DPG-FV	IDDRPM322504	28,276	E2	39.88	1185	460	295	93	
	1200	2000	RL3698	DPG-FV	IDDRPM362504R1	35,848	E2	39.47	1680	460	289	93	
			L3614	DPG-FV	IDDRPM362504	41,696	E2	45.00	1715	460	290	93	
		3500	FL4034	TEBC	IDBRPM403004R1	39,163	E2	65.46	2620	460	336	93	
300	1800	3000	L4046	TEBC	IDBRPM403004	48,044	E2	60.12	2450	460	346	93	
			L3213	DPG-FV	IDDRPM323004	32,927	E2	42.38	1325	460	350	93	
		2000	RL3614	DPG-FV	IDDRPM363006R1	41,695	E2	43.47	2000	460	360	93	
	1200	2000	L4034	DPG-FV	IDDRPM403006	55,045	E2	52.00	2000	460	355	93	
			2200	RL3698	DPG-FV	IDDRPM363504R1	35,848	E2	39.47	1680	460	401	93
		L3614	DPG-FV	IDDRPM363504	41,696	E2	45.00	1715	460	413	93		
400	1800	2700	RL3614	DPG-FV	IDDRPM364004R1	41,696	E2	43.47	2000	460	477	93	
			L3614	DPG-FV	IDDRPM364004	41,696	E2	45.00	1715	460	459	93	
		2500	FL4440	TEBC	IDBRPM444004	64,562	E2	78.57	3940	460	479	93	
	1200	2000	RL4034	DPG-FV	IDDRPM404006R1	55,042	E2	48.62	2530	460	451	93	
			L4046	DPG-FV	IDDRPM404006	67,104	E2	55.00	2000	460	465	93	
		2500	FL4451	TEBC	IDBRPM445004	74,643	E2	78.57	4260	460	591	93	
500	1800	2400	RL4022	DPG-FV	IDDRPM405004R1	48,367	E2	45.62	2260	460	557	93	
			L4034	DPG-FV	IDDRPM405004	55,045	E2	52.00	2050	460	557	94	
		2380	RL4461	DPG-FV	IDDRPM445006R1	104,952	E2	63.61	3505	460	669	93	
	1200	2380	L4461	DPG-FV	IDDRPM445006	104,952	E2	63.63	3889	460	669	95	
			3000	RL4034	DPG-FV	IDDRPM406004R1	55,042	E2	48.62	2530	460	666	93
		L4046	DPG-FV	IDDRPM406004	67,104	E2	55.00	2000	460	666	94		
600	1800	2500	FL4473	TEBC	IDBRPM446004	75,188	E2	86.82	4905	460	708	93	
			2300	RL4058	DPG-FV	IDDRPM407004R1	70,456	E2	54.62	3080	460	875	94
		L4429	DPG-FV	IDDRPM447004	83,747	E2	55.63	3004	460	870	94		
	1000	1800	2550	RL4461	DPG-FV	IDDRPM4410004R1	104,952	E2	63.61	3505	460	1202	94
				L4461	DPG-FV	IDDRPM4410004	104,952	E2	66.63	3889	460	1202	94

(a) See notes on inside back flap.

All TEBC and DPG-FV have integral blower rated 230/460 volts 3 phase. All TENV, TEFC and TEBC have top mounted conduit box. All DPG-FV are F1.

ENCODER MOUNTING PROVISIONS - INCLUDE MACHINED ODE BRACKET AND SHAFT TAPPED FOR STUB SHAFT. FOR CLOSED LOOP CONTROL SEE ENCODER FEEDBACK KITS ON PAGE 199 FOR USE WITH ID-RPM AC MOTORS. FOR RPM AC MOD EXPRESS, CONTACT YOUR BALDOR•RELIANCE DISTRICT OFFICE.

Definite Purpose Motors

Unit Handling Motors

Brake Motors

200 & 575 Volt Motors

IEC Frame Motors

50 Hertz Motors

Inverter/Vector Motors & Controls

DC Motors and Controls

Soft Starters

Gearmotors and Gear Products

**RPM AC,
Vector Duty,
Three Phase,
Totally Enclosed**

5 thru 200 Hp

FL1838 thru L4022

Applications: Test stands, extruders, conveyors, crane & hoist systems, converting, web processing, traction duty, winders, printing.



Features: Compact square laminated steel frame FL210-L440 (FL180 is extruded aluminum) for vector duty 1000:1 constant torque. Premium class H insulation, 40 C ambient, 1.0 S.F. Ball bearing. Three normally closed thermostats (one per phase). Surpasses the requirements of MG1, Part 31. VPI insulation & insulated O.D.E. bearing is standard on all L440 frames. Exclusive optimum pole Inverter Duty - not for across the line operation. Includes BEI HS35 1024 ppr hollow shaft encoder with MS twist lock connector, mating connector and protective cover.

Hp	Base Speed RPM	C.H. Speed RPM	NEMA Frame	Enclosure	Catalog Number	List Price	Mult. Sym.	"C" Dim.	Aprx. Wt. (lb)	Voltage	Full Load Amps	Notes (a)
5	1800	3500	FL1838C	TENV	ZDNRPM18054C	5,692	E2	17.87	143	230/460	7.2	90
7 1/2	1800	3500	FL1852C	TENV	ZDNRPM18074C	6,241	E2	21.87	194	230/460	11	91
10	1800	3500	FL1844C	TEFC	ZDFRPM18104C	6,402	E2	23.26	179	230/460	13.9	91
			FL2162C	TENV	ZDNRPM21104C	7,017	E2	22.73	280	230/460	13.6	91
15	1800	3500	FL1844C	TEBC	ZDBRPM18154C	6,548	E2	25.33	180	460	21	92
			FL1852C	TEBC	ZDBRPM18204C	7,010	E2	27.96	209	460	27	92
20	1800	3500	FL2162C	TEFC	ZDFRPM21204C	7,827	E2	28.55	290	460	27	92
			FL2173C	TEFC	ZDFRPM21254C	7,912	E2	31.31	355	460	34	92
25	1800	3500	FL2162C	TEBC	ZDBRPM21304C	7,827	E2	28.55	290	460	40	92
			FL2570C	TEFC	ZDFRPM25304C	8,221	E2	29.54	475	460	39	92
40	1800	3500	FL2173	TEBC	ZDBRPM21404	8,242	E2	31.31	355	460	51	93
			FL2586	TEFC	ZDFRPM25404	8,572	E2	35.85	605	460	51	93
50	1800	3500	FL2570	TEBC	ZDBRPM25504	8,981	E2	31.85	475	460	65	93
60	1800	3500	FL2578	TEBC	ZDBRPM25604	12,383	E2	33.85	540	460	75	93
75	1800	3500	FL2586	TEBC	ZDBRPM25754	14,432	E2	35.85	605	460	95	93
100	1800	3550	FL2890	TEBC	ZDBRPM281004R1	16,091	E2	41.27	805	460	124	93
125	1800	3550	FL2898	TEBC	ZDBRPM281254	16,923	E2	43.27	890	460	156	93
			L3203	TEBC	ZDBRPM321254	22,967	E2	44.25	1170	460	150	93
150	1800	3500	L3213	TEBC	ZDBRPM321504	30,109	E2	55.13	1310	460	177	93
200	1800	3500	L3614	TEBC	ZDBRPM362004	33,113	E2	52.87	1700	460	229	93
			L4022	TEBC	ZDBRPM402004	35,581	E2	54.12	1750	460	234	93

(a) See notes on inside back flap.

All TEBC have integral blower rated 230/460 volts 3 phase.

CONTINUOUS CONSTANT TORQUE TO ZERO SPEED

Define Purpose Motors

Unit Handling Motors

Brake Motors

200 & 575 Volt Motors

IEC Frame Motors

50 Hertz Motors

Inverter/Vector Motors & Controls

DC Motors and Controls

Soft Starters

Gearmotors and Gear Products

Encoder Feedback Kits

1024 PPR, Includes all Mounting Hardware and Mating Connector
The following kits for use with RPM AC motors on pages 194-197.

Catalog Number	Motor Enclosure	Type	Frame Size	Mfg.	Mag or Optical	Conn Type	Input Voltage VDC	List Price	Mult. Sym.	Ap'x. Shpg. Wgt.
417077-136	TENV	HS35	FL180-FL/RL280 (1)	BEI	0	MS-ST	5-15	1,442	E8	4
417077-208TL	TENV	HS35	FL180-FL280 (1)	BEI	0	MS-TL	5-28	1,442	E8	6
417077-153	TENV	H20	FL180-FL/RL280 (1)	Dynapar	0	MS-ST	5-15	1,598	E8	9
417077-156	TENV	RL67	FL180-FL/RL280 (1)	Dynapar	M	Latch	5-15	2,060	E8	9
417077-170	TENV	HS35M	FL180-FL/RL280 (1)	Avtron	M	MS-ST	5-24	1,442	E8	10
417077-133	TEFC	HS35	FL180-FL/RL280 (1)	BEI	0	MS-ST	5-15	1,442	E8	5
417077-165	TEBC	HS35	FL180	BEI	0	MS-ST	5-15	1,442	E8	15
417077-188	TEBC	HS35	FL210 Only	BEI	0	MS-ST	5-15	1,442	E8	10
417077-189	TEBC	HS35	FL250 Only	BEI	0	MS-ST	5-15	1,442	E8	10
417077-212TL	TEBC	HS35	FL250	BEI	0	MS-TL	5-28	1,442	E8	6
417708-140	TEBC	HS35	L320	BEI	0	MS-ST	5-15	1,442	E8	10
417708-142	TEBC	HS35	L400	BEI	0	MS-ST	5-15	1,442	E8	15
417077-173	TEBC	HS35M	FL180	Avtron	M	MS-ST	5-24	1,442	E8	10
417077-182	TEBC	HS35M	FL210 Only	Avtron	M	MS-ST	5-24	1,442	E8	10
417077-176	TEBC	HS35M	FL280	Avtron	M	MS-ST	5-24	1,442	E8	15
417077-177	TEBC	HS35M	L320	Avtron	M	MS-ST	5-24	1,442	E8	35
417077-179	TEBC	HS35M	L400	Avtron	M	MS-ST	5-24	1,442	E8	35
417077-167	TEBC	H20	FL180	Dynapar	0	MS-ST	5-15	1,598	E8	20
417077-191	TEBC	H20	FL250 Only	Dynapar	0	MS-ST	5-15	1,598	E8	10
417708-90	TEBC	H20	L280	Dynapar	0	MS-ST	5-15	1,598	E8	13
417708-91	TEBC	H20	L320	Dynapar	0	MS-ST	5-15	1,598	E8	15
417077-168	TEBC	RL67	FL180	Dynapar	M	Latch	5-15	2,060	E8	10
417077-193	TEBC	RL67	FL250 Only	Dynapar	M	Latch	5-15	2,060	E8	10
417077-242TL	DPFV	HS35R	RL180-RL440	Dynapar	0	MS-TL	5-26	1,442	E8	6
417077-136	DPFV	HS35	FL180-RL280 (2)	BEI	0	MS-ST	5-15	1,442	E8	4
417077-208TL	DPFV	HS35	FL180-RL280 (2)	BEI	0	MS-TL	5-28	1,442	E8	6
417708-130	DPFV	HS35	L280-L400	BEI	0	MS-ST	5-15	1,442	E8	5
417077-218TL	DPFV	HS35	L320-L400	BEI	0	MS-TL	5-28	1,442	E8	6
417077-170	DPFV	HS35M	FL180-RL280 (2)	Avtron	M	MS-ST	5-24	1,442	E8	10
417077-171	DPFV	HS35M	L280-L400	Avtron	M	MS-ST	5-24	1,442	E8	5

Encoder Feedback Kits RPM AC Designs

Catalog Number	Motor Enclosure	Type	Frame Size	Mfg.	Mag or Optical	Conn Type	Input Voltage VDC	List Price	Mult. Sym.	Ap'x. Shpg. Wgt.
417077-153	DPFV	H20	FL180-RL280 (2)	Dynapar	0	MS-ST	5-15	1,598	E8	9
417708-85	DPFV	H20	L280-L400	Dynapar	0	MS-ST	5-15	1,598	E8	5
417077-156	DPFV	RL67	FL180-RL280 (2)	Dynapar	M	Latch	5-15	2,060	E8	9
417708-87	DPFV	RL67	L280-L400	Dynapar	M	Latch	5-15	2,060	E8	6
417708-120	DPFV	RL67	L440	Dynapar	M	Latch	5-15	2,060	E8	23

(1) Includes FL180, FL210, FL250, RL210, RL250, FL280 and RL280
(2) Includes FL180, RL210, RL250 and RL280

Encoder Mounting Kits - no encoder

Kit includes stub shaft only (no encoder) - unmounted - for RPM AC motor frames FL180-L440.

Encoder (reference)	Frame	Enclosure	Catalog Number	List Price	Mult. Sym.
BEI HS35 (1 inch dia.)	FL180-FL/RL250 (3)	DPFV,TENV,TEFC,TEBC (2)	417708-201	165	E8
	FL/RL280 thru L400	DPFV & TEBC (2)	417708-202	165	E8
	L440	DPFV & TEAO-P/B	417708-203	165	E8

(2) Note: encoder addition requires an extended blower cover on TEBC motors in all frames except L320.

Cover is included in complete kits only.

(3) Includes FL180, FL210, FL250, RL210, RL250

RPM AC Slide Bases

Application: Used for adjustable belt tension on belted application not suitable for wall or ceiling mounting.

Frame	Catalog Number	List Price	Mult. Symbol	Dimension Sheet	Approx. Wt. (Lb.)
FL1831	419914-9A	469	E8	609957-9	13
FL1838	419914-9B	469	E8	609957-9	14
FL1844	419914-9C	469	E8	609957-9	15
FL1852	419914-9D	469	E8	609957-9	17
FL/RL2153	419914-10A	469	E8	609957-10	39
FL/RL2158	419914-10B	469	E8	609957-10	27
FL/RL2162	419914-10D	547	E8	609957-10	48
FL/RL2168	419914-10L	547	E8	609957-10	52
FL/RL2173	419914-10M	547	E8	609957-10	28
FL/RL2570	419914-10G	547	E8	609957-10	55
FL/RL2578	419914-10N	703	E8	609957-10	58
FL/RL2586	419914-10P	703	E8	609957-10	56
L2875	419914-10J	703	E8	609957-10	37
FL/RL/L2882	419914-10K	1,006	E8	609957-10	80
FL/RL/L2890	419914-10R	1,006	E8	609957-10	80
FL/RL/L2898	419914-10S	1,006	E8	609957-10	90
L3203	419914-11P	1,110	E8	609977-10	90
L3213	419914-11R	1,110	E8	609977-10	90
UL3698	419914-11M	1,300	E8	609977-10	105
UL3699	419914-11C	1,300	E8	609977-10	105
UL3607	419914-11D	1,300	E8	609977-10	74
UL3614	419914-11N	1,300	E8	609977-10	124
UL4022	419914-11E	2,476	E8	609977-10	105
UL4034	419914-11F	2,476	E8	609977-10	132
UL4046	419914-11G	2,476	E8	609977-10	141
UL4429	419914-11H	4,672	E8	609977-10	140
UL4440	419914-11J	4,672	E8	609977-10	150
UL4451	419914-11K	4,672	E8	609977-10	160
UL4461	419914-11L	4,672	E8	609977-10	165

RPM AC Filter Kits

Application: For use with DPFV enclosures

Frame	Catalog Number	List Price	Mult. Symbol	Description	Approx. Wt. (Lb.)
FL180	417077-57	911	A8	Washable Wire Mesh Canister Type	2
RL210	417077-59	911	A8	Washable Wire Mesh Canister Type	4
RL250	417077-59	911	A8	Washable Wire Mesh Canister Type	4
RL/L280	417077-59	911	A8	Washable Wire Mesh Canister Type	4
L320	417077-59	911	A8	Washable Wire Mesh Canister Type	4
L360	417077-65	1,165	A8	Washable Wire Mesh Canister Type	7
L400	417077-102	1,642	A8	Washable Wire Mesh Canister Type	6
L440	417077-124	1,893	A8	Square Replaceable Polyester Type	18

Definite Purpose
MotorsUnit Handling
Motors

Brake Motors

200 & 575 Volt
MotorsIEC Frame
Motors50 Hertz
MotorsInverter/Vector
Motors & ControlsDC Motors
and Controls

Soft Starters

Gearmotors and
Gear Products

RPM AC Mounting Conversion Kits for FL180-FL280 Frames

Kits are for relocation of the conduit box of stock FL180 - FL280 frame motors as noted. Installation of this kit requires complete disassembly/reassembly of motor. Price is for kit only.

Frame	Catalog Number	List Price	Mult. Sym.	Enclosure	Relocate Conduit Box:
For FL180-FL280 Frames					
FL180	417077-184	503	E8	TENV, TEBC, TEFC	From Top to F-1 or F-2
FL180	417077-185	503	E8	DPFV	From F-1 to F-2
FL210	417077-186	591	E8	TENV, TEBC, TEFC	From Top to F-1 or F-2
FL250	417077-187	591	E8	TENV, TEBC, TEFC	From Top to F-1 or F-2
FL280	417077-201	632	E8	TENV, TEBC, TEFC	From Top to F-1 or F-2
For RL210-RL280 Frames					
RL2153 thru RL2173	417077-129	503	E8	DPFV	From F-1 to F-2
RL250 thru RL2586	417077-131	503	E8	DPFV	From F-1 to F-2
RL2153 thru RL2173	417077-130	591	E8	TENV, TEBC, TEFC	From Top to F-1 or F-2
RL2570 thru RL2586	417077-132	591	E8	TENV, TEBC, TEFC	From Top to F-1 or F-2
RL2882 thru RL2898	417077-202	632	E8	DPFV	From F-1 to F-2

Replacement Blower Kits for DPG-FV RPM AC Motors

Kit includes blower motor and shroud, blower wheel and all mounting hardware. Filter is not included.

DPFV Frame	Catalog Number	List Price	Mult. Sym.
RL210	417077-144	897	E8
RL250	417077-145	1,753	E8
RL280	419947-40	1,747	E8
L280 (4)	419947-31	1,747	E8
L320	419947-33	1,944	E8
RL360	419947-41	2,123	A8
L360 (4)	417077-127	2,123	A8
RL400	419947-42	2,324	A8
L400 (4)	417077-75	2,324	A8
L440	417077-126	4,738	A8

Kit includes terminal box and blower motor only.

TEBC Frame	Catalog Number	List Price	Mult. Sym.
FL180 (3)	417077-143	897	E8
FL/RL210-320(3)	417077-141	1,142	E8

(3) Compact inline blower used on stock models (IP44 rating)
 (4) Being phased out

Definite Purpose Motors

Unit Handling Motors

Brake Motors

200 & 575 Volt Motors

IEC Frame Motors

50 Hertz Motors

Inverter/Vector Motors & Controls

DC Motors and Controls

Soft Starters

Gearmotors and Gear Products

**V*S Master
Inverter Drive,
Three Phase,
Totally Enclosed**

1/3 thru 300 Hp

NEMA 56C thru 449T

Applications: Conveyors, extruders, printing lines, converting, test stands, anywhere constant torque is required over a wide speed range.



Features: Designed specifically for Inverter operation where up to 1000:1 constant torque speed range is required. Includes provisions for stub shaft for hollow shaft encoder, three thermostats, and all 440T frames include an ODE insulated bearing. Meets NEMA MG 1, Part 31. Continuous constant torque to zero speed.

Hp	Base Speed RPM	C.H. Speed RPM	NEMA Frame	Enclosure	Catalog Number	List Price	Mult. Sym.	"C" Dim.	Aprx. Wt. (lb)	Full Load Efficiency	Voltage	Full Load Amps	Notes (a)
1/3	1800	2700	56C	TENV	IDVSNM3534	495	E2	13.84	32	80	230/460	0.6	2, 48
1/2	1800	2700	56C	TENV	IDVSNM3538	579	E2	13.84	35	84	230/460	0.9	2, 48
3/4	1800	2700	56C	TENV	IDVSNM3542	645	E2	13.84	36	84	230/460	1.2	2, 48
1	1800	2700	56C	TENV	IDVSNM3546	1048	E2	14.84	45	87.5	230/460	1.5	2, 48
			143TC	TENV	IDVSNM3581T	1315	E2	14.65	58	85.5	230/460	1.5	2, 48
			143TC	TENV	IDVSNM3581T-5	1256	E2	14.65	58	85.5	575	1.2	2, 48
1 1/2	1800	2700	145TC	TENV	IDVSNM3582T	1715	E2	14.65	61	82.5	230/460	1.8	2, 48
			145TC	TENV	IDVSNM3584T-5	1451	E2	14.65	64	86.5	575	1.7	2, 48
2	1800	2700	145TC	TENV	IDVSNM3584T	1451	E2	14.65	64	82.5	230/460	2.1	2, 48
			145TC	TENV	IDVSNM3587T-5	1448	E2	14.65	62	86.5	575	2.3	2, 48
3	1800	2700	182TC	TEFC	IDVSNM3587T	1516	E2	14.65	63	86.5	230/460	2.8	2, 48
			182TC	TENV	IDVSM3661T	1674	E2	20.23	105	89.5	230/460	4.1	2, 48
5	1800	2700	182TC	TENV	IDVSM3661T	1722	E2	17.85	111	89.5	230/460	4.3	2, 48
			L184TC	TEFC	IDVSM3665T	1941	E2	20.23	120	89.5	230/460	6.6	2, 48
7 1/2	1800	2700	L184TC	TENV	IDVSM3665T	1995	E2	17.85	124	89.5	230/460	6.6	2, 48
			213TC	TEFC	IDVSM3770T	2497	E2	24.59	180	91.7	230/460	9.5	2, 48
10	1800	2700	L215TC	TENV	IDVSNM2237T	2567	E2	20.86	212	91.7	230/460	10.1	2, 48
			L215TC	TEFC	IDVSM3774T	3255	E2	24.59	231	92.4	230/460	12.5	2, 48
15	1800	2700	254TC	TENV	IDVSNM2238T	3521	E2	24.05	305	91.7	230/460	13	2, 48
			254TC	TEFC	IDVSM2333T	3787	E2	26.71	291	92.4	230/460	18	2, 48
20	1800	2700	256TC	TENV	IDVSNM2333T	4235	E2	24.05	284	93.6	230/460	18.5	2, 48
			256TC	TEFC	IDVSM2334T	4106	E2	26.71	321	93	230/460	24	2, 48
25	1800	2700	284TC	TEFC	IDVSM4103T	5214	E2	30.42	446	93.6	230/460	30	2, 48
30	1800	2700	286TC	TEFC	IDVSM4104T	5696	E2	30.42	457	94.1	230/460	36	2, 48
40	1800	2700	324T	TEFC	IDVSM4110T	6571	E2	30.44	619	94.1	230/460	50	2, 48
50	1800	2700	326T	TEFC	IDVSM4115T	8031	E2	30.28	670	94.5	230/460	60	2, 48
60	1800	2700	364T	TEFC	IDVSM4314T	9948	E2	33.44	869	94.2	230/460	71.2	2, 48
75	1800	2700	365T	TEFC	IDVSM4316T	12459	E2	33.44	873	94.3	230/460	89.2	2, 48
100	1800	2700	405T	TEFC	IDVSM4400T-4	16102	E2	38.31	1218	94.1	460	115	2, 48
125	1800	2700	444T	TEFC	IDVSM4410T-4	19987	E2	44.62	1637	94.1	460	150	2, 48
150	1800	2700	445T	TEFC	IDVSM4406T-4	23853	E2	44.62	1789	95	460	177	2, 48
200	1800	2700	447T	TEFC	IDVSM4407T-4	28263	E2	48.4	2189	95.4	460	226	2, 48
250	1800	2700	449T	TEFC	IDVSM4408T-4	39946	E2	53.4	2511	95.8	460	277	2, 48
300	1800	2700	449T	TEFC	IDVSM44304T-4	39946	E2	53.4	2816	96.2	460	338	2, 48

(a) See notes on inside back flap.

CONTINUOUS CONSTANT TORQUE TO ZERO SPEED

■ Cast Iron Frame

Define Purpose Motors
 Unit Handling Motors
 Brake Motors
 200 & 575 Volt Motors
 IEC Frame Motors
 50 Hertz Motors
 Inverter/Vector Motors & Controls
 DC Motors and Controls
 Soft Starters
 Gearmotors and Gear Products

**V*S Master
Vector Drive,
Three Phase,
Totally Enclosed**

1/2 thru 300 Hp

NEMA 56C thru 449T

Applications: Conveyors, extruders, printing lines, converting, test stands, anywhere constant torque is required over a wide speed range.

Features: Designed specifically for Inverter operation where up to 1000:1 constant torque speed range is required. Includes 1024 ppr hollow shaft encoder, three thermostats, and all 440T frames include an ODE insulated bearing. Meets NEMA MG 1, Part 31. Continuous constant torque to zero speed.



Hp	Base Speed RPM	C.H. Speed RPM	NEMA Frame	Enclosure	Catalog Number	List Price	Mult. Sym.	"C" Dim.	Aprx. Wt. (lb)	Full Load Efficiency	Voltage	Full Load Amps	Notes (a)
1/2	1800	2700	56C	TENV	ZDVSNM3538	2,136	E2	13.84	37	84	230/460	0.9	2, 46, 48
3/4	1800	2700	56C	TENV	ZDVSNM3542	2,201	E2	13.84	38	82.5	230/460	1.1	2, 46, 48
1	1800	2700	145TC	TENV	ZDVSNM3581T	2,872	E2	14.65	59	85.5	230/460	1.5	2, 46, 48
1 1/2	1800	2700	145TC	TENV	ZDVSNM3584T	3,006	E2	14.65	70	86.5	230/460	2.1	2, 46, 48
2	1800	2700	145TC	TENV	ZDVSNM3587T	3,315	E2	14.65	66	86.5	230/460	2.8	2, 46, 48
3	1800	2700	182TC	TEFC	ZDVS3661T	3,508	E2	20.23	118	89.5	230/460	4.1	2, 46, 48
			182TC	TENV	ZDVSNM3661T	3,556	E2	17.85	111	89.5	230/460	4.3	2, 46, 48
5	1800	2700	L184TC	TEFC	ZDVS3665T	3,773	E2	20.23	129	89.5	230/460	6.6	2, 46, 48
			L184TC	TENV	ZDVSNM3665T	3,828	E2	17.85	124	89.5	230/460	6.6	2, 46, 48
7 1/2	1800	2700	213TC	TEFC	ZDVS3770T	4,329	E2	24.59	184	91.7	230/460	9.5	2, 46, 48
			L215TC	TENV	ZDVSNM2237T	4,399	E2	20.86	211	91.7	230/460	10.1	2, 46, 48
10	1800	2700	L215TC	TEFC	ZDVS3774T	5,088	E2	24.59	210	92.4	230/460	12.5	2, 46, 48
			254TC	TENV	ZDVSNM2238T	5,354	E2	24.05	325	91.7	230/460	13	2, 46, 48
15	1800	2700	254TC	TEFC	ZDVS2333T	5,620	E2	26.83	295	92.4	230/460	18	2, 46, 48
			256TC	TENV	ZDVSNM2333T	6,069	E2	24.05	348	93.6	230/460	18.5	2, 46, 48
20	1800	2700	256TC	TEFC	ZDVS2334T	5,939	E2	26.83	317	93	230/460	24	2, 46, 48
25	1800	2700	284TC	TEFC	ZDVS4103T	7,046	E2	30.42	458	93.6	230/460	30	2, 46, 48
30	1800	2700	286TC	TEFC	ZDVS4104T	7,528	E2	30.42	472	94.1	230/460	36	2, 46, 48
40	1800	2700	324T	TEFC	ZDVS4110T	8,404	E2	33.14	716	94.1	230/460	50	2, 46, 48
50	1800	2700	326T	TEFC	ZDVS4115T	9,863	E2	33.14	721	94.5	230/460	60	2, 46, 48
60	1800	2700	364T	TEFC	ZDVS4314T	11,781	E2	33.44	907	94.2	230/460	71.2	2, 46, 48
75	1800	2700	365T	TEFC	ZDVS4316T	14,292	E2	33.44	944	94.3	230/460	89.2	2, 46, 48
100	1800	2700	405T	TEFC	ZDVS4400T-4	17,935	E2	38.31	1230	94.1	460	115	2, 46, 48
125	1800	2700	444T	TEFC	ZDVS4410T-4	21,819	E2	49.07	1667	94.1	460	150	2, 46, 48
150	1800	2700	445T	TEFC	ZDVS4406T-4	25,685	E2	49.07	1806	95	460	177	2, 46, 48
200	1800	2700	447T	TEFC	ZDVS4407T-4	30,096	E2	52.36	2203	95.4	460	226	2, 46, 48
250	1800	2700	449T	TEFC	ZDVS4408T-4	41,779	E2	57.56	2550	95.8	460	277	2, 46, 48
300	1800	2700	449T	TEFC	ZDVS44304T-4	41,779	E2	57.56	2817	96.2	460	338	2, 46, 48

(a) See notes on inside back flap.

CONTINUOUS CONSTANT TORQUE TO ZERO SPEED

■ Cast Iron Frame

Definite Purpose Motors

Unit Handling Motors

Brake Motors

200 & 575 Volt Motors

IEC Frame Motors

50 Hertz Motors

Inverter/Vector Motors & Controls

DC Motors and Controls

Soft Starters

Gearmotors and Gear Products

V*S Master Severe Duty Vector Drive, Three Phase, Totally Enclosed

1 thru 50 Hp

NEMA 143TC thru 326TC



Applications: Conveyors, extruders, printing lines, converting, test stands, anywhere constant torque is required over a wide speed range. These Severe Duty motors are designed for harsh industrial environments by protecting motor components from moisture, chemicals, corrosion and abrasives.

Features: Designed specifically for Inverter operation where up to 1000:1 constant torque speed range is required. Includes 1024 ppr hollow shaft encoder and three thermostats. Uses Dynapar HSD38M encoder on 180 frame and up. Meets NEMA MG 1, Part 31. Continuous constant torque to zero speed.

Hp	Base Speed RPM	C.H. Speed RPM	NEMA Frame	Enclosure	Catalog Number	List Price	Mult. Sym.	"C" Dim.	Aprx. Wt. (lb)	Full Load Efficiency	Voltage	Full Load Amps	Notes (a)
1	1800	2700	143TC	TENV	ZDVSNCP3581T	3,016	E2	14.61	65	87.5	230/460	1.5	2, 46, 48
1 1/2	1800	2700	145TC	TENV	ZDVSNCP3584T	3,150	E2	14.61	72	86.5	230/460	2.1	2, 46, 48
2	1800	2700	145TC	TENV	ZDVSNCP3587T	3,459	E2	14.61	73	86.5	230/460	2.8	2, 46, 48
3	1800	2700	182TC	TEFC	ZDVSCP3661T	3,902	E2	20.23	135	89.5	230/460	4.1	2, 46, 48
5	1800	2700	L184TC	TEFC	ZDVSCP3665T	4,234	E2	20.23	128	89.5	230/460	6.6	2, 46, 48
7 1/2	1800	2700	213TC	TEFC	ZDVSCP3770T	4,905	E2	24.58	201	91.7	230/460	9.5	2, 46, 48
10	1800	2700	L215TC	TEFC	ZDVSCP3774T	5,368	E2	24.58	218	92.4	230/460	12.5	2, 46, 48
15	1800	2700	254TC	TEFC	ZDVSCP2333T	6,421	E2	28.14	374	92.4	230/460	18	2, 46, 48
20	1800	2700	256TC	TEFC	ZDVSCP2334T	6,819	E2	28.14	388	93	230/460	24	2, 46, 48
25	1800	2700	284TC	TEFC	ZDVSCP4103T	8,157	E2	30.79	481	93.6	230/460	30	2, 46, 48
30	1800	2700	286TC	TEFC	ZDVSCP4104T	8,760	E2	30.79	494	94.1	230/460	36	2, 46, 48
40	1800	2700	324T	TEFC	ZDVSCP4110T	10,047	E2	33.14	762	94.1	230/460	50	2, 46, 48
50	1800	2700	326T	TEFC	ZDVSCP4115T	11,872	E2	33.14	757	94.5	230/460	60	2, 46, 48

(a) See notes on inside back flap.

CONTINUOUS CONSTANT TORQUE TO ZERO SPEED

■ Cast Iron Frame

V*S Master Encoder Feedback Kits 360-440 Frame Size

Encoder kits below feature 1024 pulses per revolution unless otherwise noted in the encoder type column. Connector styles include the MS twist lock (MS-TL), military style 10 pin screw tight (MS-ST), and the EPIC latch style (Latch). HS35, RAHS35M and HSD35 feature hollow shaft mounting. The HSD35 carry the Northstar brand. Encoder kits include the encoder and all mounting hardware. IDVSM & IDRPM kits include the mating connector.

Catalog Number	Motor Enclosure	Type	PPR	Frame Size	Mfg.	Mag or Optical	Conn Type	Input Voltage VDC	List Price	Mult. Sym.	Ap'x. Shpg. Wgt.
K99G72	TENV	HS35	1024	180T-250T	BEI	0	MS-ST	5-15	1,442	E8	6
K99G74	TENV	HS35-2048	2048	180T-250T	BEI	0	MS-ST	5-15	1,442	E8	6
K99G76	TENV	HS35	1024	180T-250T	BEI	0	MS-ST	5-24	1,442	E8	6
K99G70	TENV	RAHS35M	1024	180T-250T	Avtron	M	MS-ST	5-24	1,442	E8	9
K99G82	TENV	HS35R	1024	180T-250T	Dynapar	0	MS-TL	5-26	1,412	E8	6
K99G78	TENV	HSD35	1024	180T-250T	Dynapar	0	Latch	5-26	1,622	E8	8
K99G73	TEFC	HS35	1024	180T-440T	BEI	0	MS-ST	5-15	1,442	E8	6
K99G75	TEFC	HS35-2048	2048	180T-440T	BEI	0	MS-ST	5-24	1,442	E8	6
K99G77	TEFC	HS35	1024	180T-440T	BEI	0	MS-ST	5-24	1,442	E8	6
K99G71	TEFC	RAHS35M	1024	180T-440T	Avtron	M	MS-ST	5-24	1,442	E8	9
K00G83	TEFC	HS35R	1024	180T-440T	Dynapar	0	MS-TL	5-26	1,442	E8	6
K99G79	TEFC	HSD35	1024	180T-440T	Dynapar	0	Latch	5-26	1,622	E8	8
K99G80	TENV	HS35	1024	180T-250T	BEI	0	MS-TL	5-28	1,442	E8	6
K99G81	TEFC	HS35	1024	180T-440T	BEI	0	MS-TL	5-28	1,442	E8	6

NOTE: For 56-320 IDVSM frame sizes use the kits from the IDM product table.

Define Purpose Motors

Unit Handling Motors

Brake Motors

200 & 575 Volt Motors

IEC Frame Motors

50 Hertz Motors

Inverter/Vector Motors & Controls

DC Motors and Controls

Soft Starters

Gearmotors and Gear Products

Vector,
Three Phase,
TEBC and TENV,
C-Face

1 thru 50 Hp

NEMA 56 thru 326T



Applications: Test stands, material handling, packaging equipment, printing presses, etc.

Features: Applications requiring adjustable speed operation with full torque from zero to base speed and constant horsepower to maximum speed. Includes HS25 or HS35 encoder feedback with MS connector. Meets NEMA MG 1, Part 31. Can operate across the line.

Hp	Base Speed RPM	C.H. Speed RPM	NEMA Frame	Enclosure	Catalog Number	List Price	Mult. Sym.	"C" Dim.	Aprx. Wt. (lb)	Full Load Efficiency	Voltage	Full Load Amps	Notes (a)
1	1800	2700	143TC	TEBC	ZDM3581T	3,291	E2	19.02	66	87.5	230/460	1.5	2, 8, 46, 60
			143TC	TEBC	ZDM3581T-5	3,291	E2	19.02	65	85.5	575	1.2	2, 8, 46
			143TC	TENV	ZDNM3581T	2,872	E2	14.65	59	85.5	230/460	1.5	2, 8, 46
1 1/2	1800	2700	143TC	TEBC	ZDM3582T	3,594	E2	19.02	62	82.5	230/460	1.8	2, 8, 46
			145TC	TEBC	ZDM3584T	3,392	E2	19.02	70	88.5	230/460	2.1	2, 8, 46, 60
			145TC	TENV	ZDNM3584T	3,006	E2	14.65	58	84	230/460	2.3	2, 8, 46
2	1800	2700	182TC	TEBC	ZDM3667T	3,849	E2	21.71	99	87.5	230/460	2.5	2, 8, 46
			145TC	TEBC	ZDM3587T	3,517	E2	19.02	75	88.5	230/460	2.8	2, 8, 46
			145TC	TEBC	ZDM3587T-5	3,517	E2	19.02	74	88.5	575	2.3	2, 8, 46
3	1800	2700	182TC	TENV	ZDNM3669T	3,315	E2	17.21	95	84	230/460	2.9	2, 8, 46, 60
			184TC	TEBC	ZDM3664T	3,913	E2	21.71	113	88.5	230/460	3.2	2, 8, 46
			182TC	TEBC	ZDM3661T	4,065	E2	21.71	112	89.5	230/460	4.1	2, 8, 46
5	1800	2700	182TC	TEBC	ZDM3661T-5	4,065	E2	21.71	110	89.5	575	3.2	2, 8, 46
			184TC	TENV	ZDNM3661T	3,543	E2	17.21	104	88.5	230/460	4.2	2, 8, 46, 60
			213TC	TEBC	ZDM3764T	4,636	E2	29.14	187	90.2	230/460	4.5	2, 8, 46, 70
7 1/2	1800	2700	184TC	TEBC	ZDM3665T	4,209	E2	21.71	125	90.2	230/460	6.5	2, 8, 46
			184TC	TEBC	ZDM3665T-5	4,209	E2	21.71	125	90.2	575	5.2	2, 8, 46
			213TC	TENV	ZDNM3767T	4,024	E2	20.40	173	91	230/460	6.7	2, 8, 46, 60
10	1800	2700	215TC	TEBC	ZDM3768T	5,328	E2	29.14	226	90.2	230/460	7.3	2, 8, 46, 70
			213TC	TEBC	ZDM3770T	4,754	E2	29.14	170	91.7	230/460	9.5	2, 8, 46, 70
			213TC	TEBC	ZDM3770T-5	4,754	E2	30.07	170	91.7	575	7.5	2, 8, 46, 70
15	1800	2700	256TC	TENV	ZDNM2237T	4,627	E2	24.05	242	90.2	230/460	9.1	2, 8, 46, 60
			254TC	TEBC	ZDM2276T	6,979	E2	33.07	333	91	230/460	10.7	2, 8, 46, 70
			215TC	TEBC	ZDM3774T	4,982	E2	29.14	231	92.4	230/460	12.5	2, 8, 46, 70
20	1800	2700	215TC	TEBC	ZDM3774T-5	4,982	E2	30.07	231	92.4	575	10	2, 8, 46, 70
			256TC	TENV	ZDNM2238T	4,770	E2	24.05	284	91.7	230/460	13	2, 8, 46, 60
			256TC	TEBC	ZDM2332T	8,180	E2	33.07	356	91.7	230/460	14.2	2, 8, 46, 70
25	1800	2700	256TC	TEBC	ZDM2333T	5,282	E2	33.07	317	92.4	230/460	18.1	2, 8, 46, 70
			256TC	TEBC	ZDM2333T-5	5,282	E2	34.15	289	92.4	575	14.5	2, 8, 46, 70
			254TC	TENV	ZDNM2333T	4,866	E2	24.05	286	92.4	230/460	18.5	2, 8, 46, 60
30	1800	2700	284T	TEBC	ZDM4100T	9,409	E2	36.48	445	93	230/460	19.7	2, 8, 45, 46, 70
			256TC	TEBC	ZDM2334T	5,537	E2	33.07	342	93	230/460	24	2, 8, 46, 70
			256TC	TEBC	ZDM2334T-5	5,537	E2	34.15	340	93	575	19	2, 8, 46, 70
40	1800	2700	284T	TENV	ZDNM2334T	6,129	E2	27.36	405	94.5	230/460	25.5	2, 8, 45, 46, 60
			286T	TEBC	ZDM4102T	10,401	E2	36.48	462	93	230/460	26	2, 8, 45, 46, 70
			284T	TEBC	ZDM4103T	6,461	E2	36.48	416	93.6	230/460	30	2, 8, 45, 46, 70
50	1800	2700	324T	TEBC	ZDM4111T	11,636	E2	38.92	615	93	230/460	32	2, 8, 45, 46, 70
			286T	TEBC	ZDM4104T	7,186	E2	36.48	445	93.6	230/460	38	2, 8, 45, 46, 70
50	1800	2700	326T	TEBC	ZDM4117T	12,773	E2	38.92	624	93	230/460	39	2, 8, 45, 46, 70
			324T	TEBC	ZDM4110T	9,166	E2	38.92	610	94.5	230/460	47	2, 8, 45, 46, 70
50	1800	2700	326T	TEBC	ZDM4115T	10,099	E2	38.92	631	94.5	230/460	57	2, 8, 45, 46, 70

(a) See notes on inside back flap.

Consult District Office for availability of 2 pole motors and C-Face motors for 284T through 5009L frames.

FULL TORQUE AT ZERO SPEED, 1000:1 CONSTANT TORQUE SPEED RANGE.

Cast Iron Frame

Define Purpose Motors

Unit Handling Motors

Brake Motors

200 & 575 Volt Motors

IEC Frame Motors

50 Hertz Motors

Inverter/Vector Motors & Controls

DC Motors and Controls

Soft Starters

Gearmotors and Gear Products

**Inverter Gearmotors -
Right Angle and
Parallel Shaft**

Applications: Conveyors, material handling equipment, packaging machinery, agricultural, medical and laboratory equipment, and other applications requiring adjustable speed.

Features: Inverter Ready insulation system – meets NEMA MG 1 Part 31.4.4.2. Industry standard foot prints. High strength bronze gearing in right angle motors. Induction hardened helical and spur gearing in parallel shaft motors. Factory lubricated for life with synthetic lubricant. Non-vented gear housings for flexible mounting and to prevent lubricant contamination. Supplied with conduit box as standard. UL recognized and CSA certified.



Definite Purpose Motors

Unit Handling Motors

Brake Motors

200 & 575 Volt Motors

IEC Frame Motors

50 Hertz Motors

Inverter/Vector Motors & Controls

DC Motors and Controls

Soft Starters

Gearmotors and Gear Products

Right Angle Gearmotors

Input Motor Hp	Output RPM 60 Hz.	Gear Ratio	Speed Range (VT)	Maximum Safe Torque In-Lbs @ 60 Hz	Catalog Number (a)	List Price	Mult. Sym.	Ap'x. Shpg. Wgt.	Motor Type & Gear Style	Voltage @ 60 Hz
FTA Style										
1/25	85	20:1	14.1 - 127	13	IDGM2401	505	E2	7	2416M-FTA	230
	170	10:1	28.3 - 255	9	IDGM2402	505	E2	7	2416M-FTA	230
	340	5:1	56.6 - 510	5	IDGM2403	505	E2	7	2416M-FTA	230
D Style										
1/20	5.4	310:1	0.9 - 8.1	75	IDGM2301	660	E2	10	2416M-DB	230
	18.1	90:1	3.1 - 27	75	IDGM2302	660	E2	10	2416M-DB	230
E Style										
1/12	9.3	180:1	1.6 - 13.9	175	IDGM2512	840	E2	15	2512M-EB	230
	16.8	100:1	2.8 - 25.2	125	IDGM2511	840	E2	15	2512M-EB	230
B Style										
1/20	28.7	60:1	4.7 - 42.4	30	IDGM2406	612	E2	13	2512M-BB	230
1/15	85	20:1	14.1 - 127.5	25	IDGM2405	612	E2	13	2512M-BB	230
1/8	340	5:1	56.6 - 510	15	IDGM2404	612	E2	13	2520M-BB	230
G Style										
1/8	6	280:1	1 - 9	400	IDGM2515	1036	E2	20	2516M-G	230
1/6	14	120:1	2.3 - 21	375	IDGM2514	1036	E2	20	2516M-G	230
	28	60:1	4.6 - 42	250	IDGM2513	1036	E2	20	2516M-G	230
K Style										
3/8	22	75:1	3.4 - 33	315	IDGM2509	868	E2	17	2528M-K	230
	28	60:1	4.5 - 41	252	IDGM2508	868	E2	17	2528M-K	230
	41	40:1	6.6 - 62	228	IDGM2506	868	E2	17	2528M-K	230
	83	20:1	12 - 123	138	IDGM2503	868	E2	17	2528M-K	230
	165	10:1	23 - 246	105	IDGM2501	868	E2	17	2528M-K	230
	330	5:1	43 - 490	68	IDGM2500	868	E2	17	2528M-K	230
J Style										
1/2	28.7	60:1	4.8 - 43	413	IDGM3303	942	E2	28	3324M-JH	230
	57.5	30:1	9.6 - 86	355	IDGM3302	942	E2	28	3324M-JH	230
3/4	170	10:1	28.6 - 258	230	IDGM3301	961	E2	30	3332M-JH	230
	340	5:1	57.5 - 517	125	IDGM3300	961	E2	30	3332M-JH	230

NOTE: (a) Vertical motor below gearhead not recommended. Avoiding those positions where the high speed oil seal is immersed in oil, will provide greater security against high speed input seal wear.

(b) See notes on inside back flap.

Red Catalog Number indicates **NEW** Product.

ATTENTION: Additional ratios, voltages, and ratings are available. Application specific modifications are common, such as custom shaft dimensions, addition of brakes or encoders, specific power cords, and washdown features. Contact your local Baldor representative for assistance.

See Gearmotor Section for dimension drawings. See page 210 for matching AC Drives.

Parallel Shaft Gearmotors

Input Motor Hp	Output RPM 60 Hz.	Gear Ratio	Stages	Speed Range	Maximum Safe Torque In-Lbs @ 60 Hz	Catalog Number (a)	List Price	Mult. Sym.	Ap'x. Shpg. Wgt.	Motor Type & Gear Style	Voltage @ 60 Hz
PSSH Style											
1/30	9.6	180:1	4	1.6-14.4	144	IDGMP24180	613	E2	11	2412M-PSSH	230
1/15	18.8	90:1	4	3.1-28.2	144	IDGMP24090	613	E2	13	2416M-PSSH	230
	27.9	60:1	3	4.6-41.8	130	IDGMP24060	595	E2	11	2416M-PSSH	230
1/8	55	30:1	3	9.2-82.5	125	IDGMP24030	595	E2	14	2424M-PSSH	230
1/5	84.5	20:1	2	14-126	142	IDGMP24020	561	E2	12	2524M-PSSH	230
1/4	167	10:1	2	27.8-250	86	IDGMP24010	561	E2	12	2524M-PSSH	230
	335	5:1	2	55.8-502	44	IDGMP24005	561	E2	12	2524M-PSSH	230
PSM Style											
1/25	9.4	180:1	4	1.6-14.1	184	IDGMP25181	729	E2	16	2412M-PSM	230
1/15	18.6	90:1	4	3.1-27.9	176	IDGMP25091	729	E2	16	2416M-PSM	230
1/8	27.5	60:1	3	4.6-41.2	204	IDGMP25061	698	E2	14	2424M-PSM	230
1/4	55.8	30:1	3	9.3-83.7	230	IDGMP25031	698	E2	18	2524M-PSM	230
	83.5	20:1	2	13.9-125	166	IDGMP25021	698	E2	16	2524M-PSM	230
	167	10:1	2	27.8-250	86	IDGMP25011	667	E2	16	2524M-PSM	230
	335	5:1	2	55.8-502	44	IDGMP25006	667	E2	16	2524M-PSM	230
PSL & PSLH Styles											
1/12	9.6	180:1	4	1.6-14	369	IDGMP25182	1,059	E2	20	2516M-PSL	230
1/8	18.8	90:1	4	3.1-28	360	IDGMP25092	1,059	E2	20	2516M-PSL	230
1/6	28	60:1	3	4.7-42	325	IDGMP25063	1,044	E2	18	2516M-PSL	230
1/4	56	30:1	3	9.4-84	247	IDGMP25033	1,044	E2	18	2524M-PSL	230
	84	20:1	2	14-126	167	IDGMP25023	1,025	E2	17	2524M-PSL	230
	167	10:1	2	27.8-250	85	IDGMP25013	1,025	E2	17	2524M-PSL	230
	335	5:1	2	55.8-502	44	IDGMP25008	1,025	E2	17	2524M-PSL	230
3/8	41	40:1	3	6.8-61	500	IDGMP25062	1,037	E2	20	2528M-PSL	230
	55	30:1	3	8.0-82	350	IDGMP2505	1,037	E2	20	2528M-PSL	230
	83	20:1	2	12-123	233	IDGMP2503	1,012	E2	18	2528M-PSL	230
	165	10:1	2	23-246	116	IDGMP2501	1,012	E2	18	2528M-PSL	230
	330	5:1	2	43-490	58	IDGMP2500	1,012	E2	18	2528M-PSL	230
1/2	43	40:1	3	7.2-64	637	IDGMP33040	1,037	E2	28	3324M-PSLH	230
	57	30:1	3	9.5-85	482	IDGMP33030	1,037	E2	28	3324M-PSLH	230
	86	20:1	2	14.3-129	326	IDGMP33020	1,012	E2	25	3324M-PSLH	230
	115	15:1	2	19.2-172	245	IDGMP33015	1,012	E2	25	3324M-PSLH	230
	172	10:1	2	28.6-258	164	IDGMP33010	1,012	E2	25	3324M-PSLH	230
	345	5:1	2	57.6-517	82	IDGMP33005	1,012	E2	25	3324M-PSLH	230

NOTE: (a) Vertical motor below gearhead not recommended. Avoiding those positions where the high speed oil seal is immersed in oil, will provide greater security against high speed input seal wear.
 (b) See notes on inside back flap.

Red Catalog Number indicates **NEW** Product.

ATTENTION: Additional ratios, voltages, and ratings are available. Application specific modifications are common, such as custom shaft dimensions, addition of brakes or encoders, specific power cords, and washdown features. Contact your local Baldor representative for assistance. See Gearmotor Section for dimension drawings. See page 210 for matching AC Drives.

Definite Purpose Motors

Unit Handling Motors

Brake Motors

200 & 575 Volt Motors

IEC Frame Motors

50 Hertz Motors

Inverter/Vector Motors & Controls

DC Motors and Controls

Soft Starters

Gearmotors and Gear Products

Feedback Cable Assembly with MS Connector



For the convenience of our customers, we offer a connector plug/cable assembly for Vector and DC motors. This assembly provides the connection from the encoder to the control. The twisted pair shielded cable provides additional noise protection. The assembly decreases installation time and effort. Recommended for Vector Drive and DC applications. For ZDM, ZDNM, ZDWNM, ZDNRPM, ZDBRPM and ZDVS motors. Uses Baldor style MS twist lock connector.

Catalog Number	Cable Extension Length	List Price	Mult. Sym.	Ap'x Shpg. Wgt.
CBL015ZD-2	5 Ft = 1.5 Meters	198	E8	1
CBL030ZD-2	10 Ft = 3 Meters	230	E8	1
CBL046ZD-2	15 Ft = 4.6 Meters	263	E8	2
CBL061ZD-2	20 Ft = 6.1 Meters	291	E8	2
CBL091ZD-2	30 Ft = 9.1 Meters	355	E8	3
CBL152ZD-2	50 Ft = 15.2 Meters	477	E8	6
CBL229ZD-2	75 Ft = 22.9 Meters	632	E8	8
CBL305ZD-2	100 Ft = 30.5 Meters	787	E8	8
CBL379ZD-2	125 Ft = 37.9 Meters	943	E8	14
CBL455ZD-2	150 Ft = 45.5 Meters	1,023	E8	15
CBL606ZD-2	200 Ft = 60.6 Meters	1,407	E8	16

Encoder Feedback Kits for IDM, IDNM and IDWNM Motors

For use with Legacy Baldor Motor Designs

Does not fit some legacy 180-440 EM, CP or ECP motors. Contact District Office.



Encoder kits below feature 1024 pulses per revolution unless otherwise noted in the encoder type column. Connector style MS twist lock (MS-TL). HS35, HS35M and HSD35 feature hollow shaft mounting. The HSD35 carry the Northstar brand. The H20 is a couple mount encoder. The RL67 and SL85 are bearingless encoders and both carry the Northstar brand. Encoder kits include the encoder and all mounting hardware.

Catalog Number	Type Enclosure	Description	Magnetic or Optical	Connector Type	Input Voltage	Output Voltage Limited	NEMA Frame	List Price	Mult. Sym.	Ap'x. Shpg. Wgt.
ENC00NV-A2	TENV	HS35M Avtron	Magnetic	TL	5-24 VDC	24	213T-215T	1,442	E8	1
ENC00NV-B1	TENV	HS25 BEI	Optical	TL	5-15 VDC	15	56-215T	1,442	E8	2
ENC00NV-D2	TENV	HS35R Dynapar	Optical	TL	5-26 VDC	26	56-215T	1,622	E8	4
ENC00NV-D1 (1)	TENV	HS35 Dynapar	Optical	TL	5-24 VDC	5	56-215T	1,622	E8	4
ENC01BC-B1	TEBC	HS25 BEI	Optical	TL	5-15 VDC	15	143T-215T	1,442	E8	3
ENC01BC-D2	TEBC	HS35R Dynapar	Optical	TL	5-26 VDC	26	56-215T	1,622	E8	4
ENC01BC-D1 (1)	TEBC	HS35 Dynapar	Optical	TL	5-24 VDC	5	56-215T	1,622	E8	4
ENC01NV-A2	TENV	HS35M Avtron	Magnetic	TL	5-24 VDC	24	254T-256T	1,442	E8	1
ENC01NV-B2	TENV	HS35 BEI	Optical	TL	5-15 VDC	15	254T-284T	1,442	E8	2
ENC01NV-D2	TENV	HS35R Dynapar	Optical	TL	5-26 VDC	26	254T-256T	1,622	E8	4
ENC01NV-D1 (1)	TENV	HS35 Dynapar	Optical	TL	5-24 VDC	5	254T-256T	1,622	E8	4
ENC02BC-A2	TEBC	HS35M Avtron	Magnetic	TL	5-24 VDC	24	254T-447T	1,442	E8	1
ENC02BC-B2	TEBC	HS35 BEI	Optical	TL	5-15 VDC	15	254T-447T	1,631	E8	2
ENC02BC-D2	TEBC	HS35R Dynapar	Optical	TL	5-26 VDC	26	254T-447T	1,622	E8	4
ENC02BC-D1 (1)	TEBC	HS35 Dynapar	Optical	TL	5-24 VDC	5	254T-447T	1,622	E8	4

NOTE: For 56 and 140 IDVSM frame sizes use the kits from the table above.

(1) Being phased out

Definite Purpose Motors

Unit Handling Motors

Brake Motors

200 & 575 Volt Motors

IEC Frame Motors

50 Hertz Motors

Inverter/Vector Motors & Controls

DC Motors and Controls

Soft Starters

Gearmotors and Gear Products

Constant Velocity Blower Cooling Conversion Kits

For use with Legacy Baldor Motor Designs

Does not fit some legacy 180-440 EM, CP or ECP motors. Contact District Office.



NEMA 143TC thru 447TC

These kits convert TENV or TEFC AC motors to a Totally Enclosed Blower Cooled (TEBC) design. This is advantageous where continuous cooling is required regardless of motor shaft speed. These kits can be mounted on the back of the motor after removing the fan guard and fan. Removing the TEFC fan shaft is not required. Does not fit some legacy 180-440 EM, CP or ECP motors. Contact District Office..

Voltage	Phase	NEMA Frame	Catalog Number	List Price	Mult. Sym.	Ap'x. Shpg. Wgt.
115	1	143TC-145TC	BLWL05-L	814	E8	7
		182TC-184TC	BLWL06-L	917	E8	8
		213TC-215TC	BLWL07-L	962	E8	21
		254TC-256TC	BLWL09-L	988	E8	28
		284TC-286TC	BLWL10-L	1,068	E8	35
		324TC-326TC	BLWL12-L	1,134	E8	46
		364TC-365TC	BLWL14-L	1,206	E8	55
230/380/460	3	213TC-215TC	BLWM07-F	962	E8	20
		254TC-256TC	BLWM09-F	999	E8	30
		284TC-286TC	BLWM10-F	1,068	E8	35
		324TC-326TC	BLWM12-F	1,134	E8	46
		364TC-365TC	BLWM14-F	1,219	E8	55
		404TC-405TC	BLWM16-F	1,704	E8	70
		444TC-447TC	BLWM18-F	2,387	E8	87

NOTE: Blower cooling conversion kits should be further selected by Baldor motor type as noted within the catalog number. As an example: BLWM10-F fits a 310M type also built as a 324-326TC. Does not fit Athens-built 180-440 M, CP or ECP motors.

Connector Transition (Patch) Cables



MS Twist Lock (MS-TL) to MS Screw Tight (MS-ST) and MS Screw Tight (MS-ST) to MS Twist Lock (MS-TL)

These cables will provide a transition from the MS twist lock 10 pin (female) connector to the 10 pin (male) MS screw tight connector or from a MS screw tight (female) to a MS twist lock (male) connector. The MS-ST to MS-TL is compatible with the stock cable lengths for extended cable runs up to 200 feet.

Catalog Number	Type	List Price	Mult. Sym.	Ap'x Shpg. Wgt.
CBLTL2ST	MS-TL to MS-ST	400	E8	2
CBLST2TL	MS-ST to MS-TL	400	E8	2

Definite Purpose Motors

Unit Handling Motors

Brake Motors

200 & 575 Volt Motors

IEC Frame Motors

50 Hertz Motors






Inverter/Vector Motors & Controls

DC Motors and Controls





Soft Starters

Gearmotors and Gear Products

AC Drives Selection Chart

	ACS55	ACS150	ACS250	ACS250 NEMA 4X	ACS310
Unit Handling Motors					
Brake Motors					Control Panel Not Included
200 & 575 Volt Motors	Main Attributes				
	Starter-style Microdrive; V/Hz Control, DIN or Panel Mounting, DIP switches and potentiometer configuration, built-in EMC filter.	Component-style Microdrive; V/Hz Control, DIN or panel mounting, integral LCD control panel and integrated potentiometer, built-in EMC filter.	Starter-style Microdrive; V/Hz Control, integral LED display, Built-In PI Loop; DIN or Panel Mounting.	NEMA 4X Enclosure Micro Drive; V/Hz Control; integral control panel, Built-In start/stop, speed potentiometer and disconnect switches.	General purpose Microdrive; V/Hz control, PID control, pump/fan control and protections, quick start assistant, removable LCD control panel, built-in EMC filter.
IEC Frame Motors	Hp Range				
	1~115 V - 0.25 to 0.5HP		115 V - 0.5 to 1.5 HP	1~115 V - 0.5 to 1.5 HP	
	1~230 V - 0.25 to 3HP	1~230 V - 0.5 to 3 HP		1~230 V - 0.5 to 3 HP	1~230 V - 0.5 to 3 HP
		3~230 V - 0.5 to 3 HP		3~230 V - 0.5 to 5 HP	3~230 V - 0.5 to 10 HP
		3~460 V - 0.5 to 5 HP		3~460 V - 1 to 10 HP	3~460 V - 1 to 30 HP
			3~600 V - 0.75 - 20 HP	3~600 V - 0.75 - 15 HP	
50 Hertz Motors	Voltage Range				
	1~115 V In / 3~230 V Out		1~120 V In / 3~ 230 V Out	1~115 V In / 3~230 V Out	
	1~230 V In / 3~230 V Out	1~230 V In / 3~230 V Out		1~230 V In / 3~230 V Out	1~230 V In / 3~230 V Out
		3~230 V In / Out		3~230 V In / Out	3~230 V In / Out
		3~460 V In / Out		3~460 V In / Out	3~460 V In / Out
			3~600 V In / Out	3~600 V In / Out	
Inverter/Vector Motors & Controls	Enclosure Type				
		UL type 0 (IP20)			UL type 0 (IP20)
	UL type 0 (IP20)	UL Type 1 Kit - Option	UL type 0 (IP20)	NEMA 4X (IP66)	UL Type 1 Kit - Option
DC Motors and Controls	Motor Control Mode				
	Scalar (V/Hz)	Scalar (V/Hz)	Scalar (V/Hz)	Scalar (V/Hz)	Scalar (V/Hz)
	Motor Type				
	Induction Motor	Induction Motor	Induction Motor	Induction Motor	Induction Motor
Soft Starters	Communications Options				
	N.A.	N.A.	Embedded Modbus-RTU	Embedded Modbus-RTU	Embedded Modbus-RTU
Gearmotors and Gear Products	Operator Interface (Control Panel)				
	DIP switches and potentiometer or PC tool parameter configuration	Integral LCD control panel and integrated potentiometer. FlashDrop configurable	Integral LED and/or remote mount LED	Integral LED and/or remote mount LED control panel; Copycat Capability; Speed Pot; Fwd/Rev Switch; Input Disconnect	Integral or remote mount LCD control panel. Parameter upload and download capable. Assistants mode for quick start-up, DriveWindow Light and FlashDrop configurable.
	See page 212	See page 215	See page 218	See page 221	See page 224

AC Drives Selection Chart

ACS355	ACS355 NEMA 4X	Sensorless Vector or V/Hz Control	Closed Loop Vector Control
			
Control Panel Not Included			
Main Attributes		SEE CA769 CATALOG FOR MORE PRODUCT DETAILS AND PRICING	
Machinery Micro Drive; Open Loop vector or V/Hz control, permanent magnet or induction motor control, PID control, removable LCD, built-in EMC filter, optional advanced or basic LCD control panel.	UL Type 4X Machinery Micro Drive; NSF certified enclosure, Open Loop vector or V/Hz control, permanent magnet or induction motor control, built-in EMC filter PID control, optional built-in disconnect.	Sensorless Vector or V/Hz Control, PID Control, Quick Start Assistant, UL Type 1 or UL Type 12 Enclosure, Easy to use keypad HP ratings up to 550 Hp	Closed-Loop Vector, Sensorless Vector or V/Hz Control, PID Control, Quick Start Assistant, UL Type 1 or UL Type 12 Enclosure, Easy to use keypad HP ratings up to 550 Hp
Hp Range			
		3/4 - 100Hp	3/4 - 100Hp
1~230 V - 0.5 to 3 HP		1-550 Hp	1-550 Hp
3~230 V - 0.5 to 15 HP	3~230 V - 0.5 to 5 HP	1-1/2 - 150Hp	1-1/2 - 150Hp
3~460 V - 1 to 30 HP	3~460 V - 1 to 10 HP		
Voltage Range			
		230V 1 Phase	230V 1 Phase
1~230 V In / 3~230 V Out		208-240V 3 Phase	208-240V 3 Phase
3~230 V In / Out	3~230 V In / Out	380-480V 3 Phase	380-480V 3 Phase
3~460 V In / Out	3~460 V In / Out	500-600V 3 Phase	500-600V 3 Phase
Enclosure Type			
UL type 0 (IP20)		NEMA 1 (UL Type 1) - 3/4-350Hp	NEMA 1 (UL Type 1) - 3/4-350Hp
UL Type 1 Kit - Option	UL type 4X (IP66)	NEMA 12 (UL Type 12) - 3/4-550Hp	NEMA 12 (UL Type 12) - 3/4-550Hp
Motor Control Mode			
Open Loop Vector or Scalar (V/Hz)	Open Loop Vector or Scalar (V/Hz)	Sensorless Vector or V/Hz	Closed-Loop Vector, Sensorless Vector or V/Hz
Motor Type			
Permanent magnet or Induction Motor	Permanent magnet or Induction Motor	Induction Motor	Induction Motor
Communications Options			
CANopen, DeviceNet, EtherNet/IP, EtherCAT, Modbus-RTU, Modbus/TCP, PROFIBUS, Profinet-IO	CANopen, DeviceNet, EtherNet/IP, EtherCAT, Modbus-RTU, Modbus/TCP, PROFIBUS, Profinet-IO	Built-in Modbus-RTU, Optional: DeviceNet, PROFIBUS, Modbus/TCP, EtherNet/IP, ControlNet, EtherCAT	Built-in Modbus-RTU, Optional: DeviceNet, PROFIBUS, Modbus/TCP, EtherNet/IP, ControlNet, EtherCAT
Operator Interface (Control Panel)		Differentiating Features	
Integral or remote mount LCD control panel, optional potentiometer with start/stop switches. Parameter upload and download capable. Assistants mode for quick start-up, DriveWindow Light and FlashDrop configurable.	Integral or remote mount LCD control panel. Parameter upload and download capable. Assistants mode for quick start-up, DriveWindow Light and FlashDrop configurable.	Advanced Control Panel standard, with two soft keys that change state according to state of panel, Local / Remote control modes, Built-in "Help" button, Real-time clock, Changed Parameter menu	Advanced Control Panel standard, with two soft keys that change state according to state of panel, Local / Remote control modes, Built-in "Help" button, Real-time clock, Changed Parameter menu
See page 228	See page 233	See CA769 Catalog	See CA769 Catalog

Definite Purpose Motors

Unit Handling Motors

Brake Motors

200 & 575 Volt Motors

IEC Frame Motors

50 Hertz Motors

Inverter/Vector Motors & Controls

DC Motors and Controls

Soft Starters

Gearmotors and Gear Products



NEW!

Inverter/Vector Motors & Controls

**ACS55
AC Micro Drive**



1/4 & 1/2 Hp - No EMC Filter	115 Vac	1 Phase - 50/60 Hz
1/4 thru 3 Hp - No EMC Filter	230 Vac	1 Phase - 50/60 Hz
1/4 & 1/2 Hp - Built-In EMC Filter	115 Vac	3 Phase - 50/60 Hz
1/4 thru 3 Hp - Built-In EMC Filter	230 Vac	3 Phase - 50/60 Hz

Applications: Conveyors, gate controls, material handling, printing, packaging machinery variable torque or constant torque applications. New installations, replacements and original equipment manufactures (OEM).

Features: Compact size replaces contactors and starters, fast setup, easy configuration. Scalar (Volts per Hertz), with peak overload capacity of 150%, IP20 enclosure. Flexible mounting options - Wall mounting with bracket or DIN rail mounting in either wide or narrow orientation. Option kit has speed potentiometer with two switches - Run/Stop and Fwd/Rev, Serial or USB DriveConfig Kit available for volume configuration of un-powered drives.

Performance Features	Control Modes	Scalar V/Hz
	Operator Interface Module	Control potentiometers and dip switches, Optional speed potentiometer and control switches
	Fault Display	Green and red status indication LED's
	Programmable Preset Speeds	Three (When Programmed with DriveConfig)
	Auto Restart	10 in three minutes
	Digital Inputs	Three, Dedicated: Start, Reverse, & Jog
Drive Specifications	Digital Inputs Type	12 to 24 VDC, (10V Logic 0) with internal 12 VDC power supply (12 VDC, +/-10%, 30mA max.)
	Analog Inputs: One	0-10 VDC, -10 to 10 VDC or 0/4 - 20mADC
	Digital Outputs: One	One programmable relay output, Type: NO + NC, Switching capacity: 12-250 VAC / 30 VDC / 0.5A, Current: 10mA - 2A
	Overload Capacity	Drive Output 150% for 1 min., 180% for 2 sec. at start
	Input Voltage Ranges:	110 - 120 VAC, 1-phase & 200 - 240 VAC, 1-phase
	Input Voltage Tolerance	10% / -15%
	Rated Input Frequency	48 to 63Hz, maximum rate of change = 17% / sec
	Carrier Frequency:	5-16 kHz (5 kHz default)
	Operating Temperature:	-20° to 40°C; no frost allowed, 50°C if continuous output current is maximum 85% of nominal output current
	Volts/Hz	Scalar, selectable for linear (CT) or square function (VT)
	Frequency Control Range:	0-130 Hz
	Accel/Decel:	One setting by control potentiometer
	Time Range:	0.0 to 30 Seconds
	Electronic Motor Overload	Over Current Trip
Protective Features	Under Voltage Trip Limit	65% of Input Voltage
	Over Voltage Trip Limit	130% of Input Voltage
	Ground Fault Protection	Yes
	Output Short Circuit	Yes
	Over Temperature	Heatsink Monitor (90°C / 203°F)
	Motor Overtemp	Yes
	DC Bus Overvoltage	DC Bus Level Trip
	IGBT Overtemp	Yes
Agency Certifications	Over Current	Protected
	Loss of Reference	Yes
Service Conditions	Altitude:	1,000 m (3,300 ft.). Derate by 1% every 100 m (328 ft.) up to 2,000m (6,600 ft.)
	Ambient Temperature:	-20° to 40°C; no frost allowed, 50°C if continuous output current is maximum 85% of nominal output current
	Relative Humidity:	0% to 95%, non-condensing
	Intermittent Overload:	150% overload capacity for up to 1 minute
	Vibration	In accordance with ISTA 1A

Definite Purpose Motors

Unit Handling Motors

Brake Motors

200 & 575 Volt Motors

IEC Frame Motors

50 Hertz Motors

Inverter/Vector Motors & Controls

DC Motors and Controls

Soft Starters

Gearmotors and Gear Products

ACS55 110 - 240Vac Ratings & Pricing

Single phase supply voltage 110V-120V and 200V-240V

Catalog Number	HP	kW	Nominal Output Current	Maximum Output Current	Input Current	Frame Size	List Price	Multiplier Symbol
1-Phase Supply Voltage 110 to 120V, +10/-15%, 3-Phase Output 200 to 240V								
ACS55-01N-01A4-1	0.25	0.18	1.4	2.1	6.4	A	156	EN
ACS55-01N-02A2-1	0.5	0.37	2.2	3.3	9.5	A	175	EN
1-Phase Supply Voltage 200 to 240V, +10/-15%, 3-Phase Output 200 to 240V								
ACS55-01N-01A4-2	0.25	0.18	1.4	2.1	4.4	A	156	EN
ACS55-01N-02A2-2	0.5	0.37	2.2	3.3	6.9	A	175	EN
ACS55-01N-04A3-2	1	0.75	4.3	6.5	10.8	B	212	EN
ACS55-01N-07A6-2	2	1.5	7.6	11.4	18.2	C	265	EN
ACS55-01N-09A8-2	3	2.2	9.8	14.7	22	C	307	EN
1-Phase Supply Voltage 110 to 120V, 3-Phase Output 200 to 240V (Built-in EMC filter)								
ACS55-01E-01A4-1	0.25	0.18	1.4	2.1	6.4	A	211	EN
ACS55-01E-02A2-1	0.5	0.37	2.2	3.3	9.5	A	230	EN
1-Phase Supply Voltage 200 to 240V, 3-Phase Output 200 to 240V (Built-in EMC filter)								
ACS55-01E-01A4-2	0.25	0.18	1.4	2.1	4.4	A	211	EN
ACS55-01E-02A2-2	0.5	0.37	2.2	3.3	6.9	A	230	EN
ACS55-01E-04A3-2	1	0.75	4.3	6.5	10.8	B	266	EN
ACS55-01E-07A6-2	2	1.5	7.6	11.4	18.2	D	338	EN
ACS55-01E-09A8-2	3	2.2	9.8	14.7	22	D	402	EN

Definite Purpose Motors

Unit Handling Motors

Brake Motors

200 & 575 Volt Motors

IEC Frame Motors

50 Hertz Motors

Inverter/Vector Motors & Controls

DC Motors and Controls

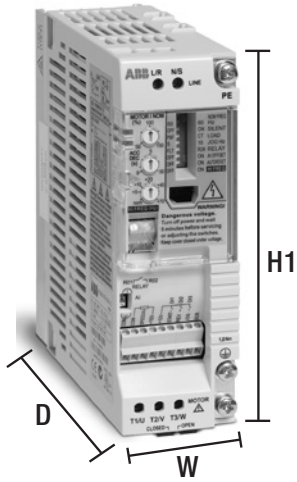
Soft Starters

Gearmotors and Gear Products

ACS55 Option Kits

Catalog Number	Name	List Price	Mult. Sym.
ACS55-POT	Potentiometer, Run/Stop & Fwd/Rev	20	ES
RFDT-02	DriveConfig Kit (USB) The DriveConfig Kit is a PC tool for volume configuration and control of ACS55 drives. The kit enables parameter setting and software updating without the need for a power connection. The drives can even remain in their delivery boxes during configuration. The DriveConfig Kit features on-line drive control and monitoring of up to four signals simultaneously. DriveConfig kit includes: <ul style="list-style-type: none"> • Hardware and cables • PC software • User's manual in English (hard copy and PDF) • Battery charger • USB adapter 	700	ES

ACS55 Dimensions



Frame Size	H1 (in)	H2* (in)	W (in)	D (in)	Weight (lb)
A	6.69	5.77	1.77	5.04	1.5
B	6.69	5.77	2.66	5.04	1.5
C	7.60	6.70	2.80	6.30	2.4
D	8.90	8.00	2.70	6.20	2.4

*H2 is without mounting clip

Definite Purpose Motors

Unit Handling Motors

Brake Motors

200 & 575 Volt Motors

IEC Frame Motors

50 Hertz Motors

Inverter/Vector Motors & Controls

DC Motors and Controls

Soft Starters

Gearmotors and Gear Products



NEW!

Inverter/Vector Motors & Controls

**ACS150
AC Micro Drive**

1/2 thru 3 Hp	230 Vac	1 Phase - 50/60 Hz
1/2 thru 3 Hp	230 Vac	3 Phase - 50/60 Hz
1/2 thru 5 Hp	460 Vac	3 Phase - 50/60 Hz



Applications: Conveyors, gate controls, material handling, pumps, printing, packaging, food and beverage. Any variable torque or constant torque applications where vector control is not required. New installations, replacements and original equipment manufactures (OEM).

Features: Scalar control for linear (CT) or squared (VT) applications with peak overload capacity of 150% and PID capability. Flexible mounting options - wall with bracket or DIN Rail. IP20 enclosure as standard and NEMA1 option kit. Integrated control panel with keypad and LCD display, Integrated speed potentiometer. FlashDrop programming tool for fast and easy parameter selecting and setting of un-powered drives. Easy setup and commissioning with ABB common programming structure. Fast setup with macros. Built-in braking chopper allows connection to remote braking resistor for enhanced performance needs.

Performance Features	Control Modes	Scalar (V/Hz)
	Operator Interface Module	Integral Drive Mounted with speed potentiometer
	Keypad Display	LCD Graphical Display
	Programmable Preset Speeds	Seven
	Analog Outputs	None
	Auto Restart	Yes -- Up to 5 attempts
	Frequency Avoidance	Three Bands
	Fault History	Last Three Faults
	Digital Inputs	Five Programmable Inputs including pulse train input
	Digital Inputs Type	PNP & NPN, 12-24 VDC, (10V logic 0), Pulse train 0 to 16 kHz
Drive Specifications	Analog Inputs: One	0-10 VDC or 0/4 - 20mADC
	Digital Outputs: One	Programmable Relay Output, NO + NC, 12-250 VAC / 30 VDC
	Overload Capacity	Drive Output 150% for 1 min.
	Input Voltage Ranges:	200 - 240 VAC; 380 - 480 VAC
	Input Voltage Tolerance	10% / -10%
	Rated Input Frequency	48 to 63 Hz, maximum rate of change 17% / second
	Carrier Frequency:	4-16 kHz (4 kHz default)
	Operating Temperature:	-10° to 40°C; -10° to 50°C w/ 10% derate
	Dynamic Braking	Built-in braking chopper (100% braking capability)
	DC Injection Braking:	Yes
	Flux Optimization:	Can improve efficiency up to 10% on light loads
	Volts/Hz	Selectable for linear (CT) or square function (VT)
	Frequency Control Range:	0-500 Hz
	Accel/Decel:	Two independently adjustable sets of ramps
	Time Range:	0.0 to 1800 Seconds
	S Curve Accel. & Decel.	Yes, with adjustable rounding time
	Keypad Speed Control	Yes
	Sink/Source Inputs	Selectable, 24 VDC logic
	Electronic Motor Overload	Protected: Over Current & Over Temp
	PID Control	One with PID macro setup
EMC Filter	2nd Environment - disconnectable	
Application Macros	Seven, including Three-wire, Hand/Auto, and PID Control	
Protective Features	Under Voltage Trip Limit	65% of input voltage
	Over Voltage Trip Limit	130% of input voltage
	Ground Fault Protection	Motor or motor cables
	Output Short Circuit	Phase-to-phase on drive output
	Drive Overtemperature	Heatsink monitor (90°C / 203°F)
	Motor Overtemperature	Protected (I ² t)
	Motor Stall	Motor operating in stall region
	DC Bus Overvoltage	DC bus level trip
	IGBT Overtemperature	Detects IGBT overtemp
	Over Current	Over-current trip limit up to 325%
	Incorrect Wiring	Fault for input cables connected to output
	Loss of Reference	Trips on loss of speed command signal
	Underload	Motor load too low, load disconnected
	Single Phase	Loss of input phase
	Agency Certifications	UL, cUL, CE, C-tick, RoHS, GOST-R
Service Conditions	Altitude:	1,000 m (3,300 ft.). Derate by 1% every 100 m (328 ft.) up to 2,000m (6,600 ft.)
	Ambient Temperature:	-20° to 40°C; no frost allowed, 50°C if continuous output current is maximum 85% of nominal output current
	Relative Humidity:	0% to 95%, non-condensing
	Intermittent Overload:	150% overload capacity for up to 1 minute

Define Purpose Motors

Unit Handling Motors

Brake Motors

200 & 575 Volt Motors

IEC Frame Motors

50 Hertz Motors

Inverter/Vector Motors & Controls

DC Motors and Controls

Soft Starters

Gearmotors and Gear Products

NEW!

ACS150 - 240Vac Ratings & Pricing

3-phase supply voltage 200, 208, 230 or 240 V. The power ratings are valid at nominal voltage, 208Vac at 40°C (104°F) or 230Vac at 50°C (122°F).

Catalog Number	Nominal Ratings				Frame Size	kW	List Price	Multiplier Symbol
	40°C (104°F) Continuous Rating		50°C (122°F) Continuous Rating					
	A	HP	A	HP				

1-Phase Input Voltage = 200...240V (200, 208, 230, 240V)

ACS150-01U-02A4-2	2.4	1	2.2	0.5	R0	0.37	216	E0
ACS150-01U-04A7-2	4.7	1	4.2	1.0	R1	0.75	270	E0
ACS150-01U-06A7-2	6.7	1.5	6.0	1.5	R1	1.1	311	E0
ACS150-01U-07A5-2	7.5	2	6.8	2	R2	1.5	352	E0
ACS150-01U-09A8-2	9.8	3	8.8	2	R2	2.2	417	E0

3-Phase Input Voltage = 200...240V (200, 208, 230, 240V)

ACS150-03U-02A4-2	2.4	0.50	2.2	0.50	R0	0.37	216	E0
ACS150-03U-03A5-2	3.5	0.75	3.2	0.75	R0	0.55	243	E0
ACS150-03U-04A7-2	4.7	1	4.2	1	R1	0.75	270	E0
ACS150-03U-06A7-2	6.7	1.5	6.0	1.5	R1	1.1	311	E0
ACS150-03U-07A5-2	7.5	2	6.8	2	R1	1.5	352	E0
ACS150-03U-09A8-2	9.8	3	8.8	2	R2	2.2	417	E0

ACS150 - 480Vac Ratings & Pricing

3-phase supply voltage 380, 400, 415, 440 or 480 V. The power ratings are valid at nominal voltage, 480Vac at 50°C (122°F).

Catalog Number	Nominal Ratings				Frame Size	kW	List Price	Multiplier Symbol
	40°C (104°F) Continuous Rating		50°C (122°F) Continuous Rating					
	A	HP	A	HP				

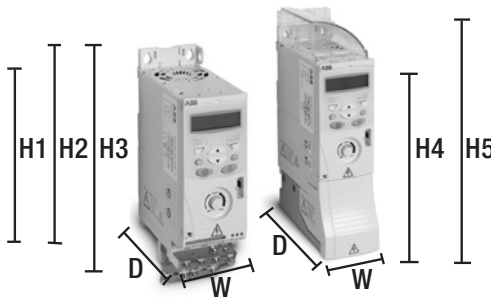
3-Phase Input Voltage = 380...480V (380, 400, 415, 440, 460, 480V)

ACS150-03U-01A2-4	1.2	0.50	1.1	0.50	R0	0.37	305	E0
ACS150-03U-01A9-4	1.9	0.75	1.7	0.75	R0	0.55	316	E0
ACS150-03U-02A4-4	2.4	1	2.2	1	R1	0.75	328	E0
ACS150-03U-03A3-4	3.3	1.5	3.0	1.5	R1	1.1	362	E0
ACS150-03U-04A1-4	4.1	2	3.7	2	R1	1.5	396	E0
ACS150-03U-05A6-4	5.6	3	5.0	3	R1	2.2	441	E0
ACS150-03U-08A8-4	8.8	5	7.9	5	R1	4.0	564	E0

ACS150 Option Kits

Catalog Number	Name		List Price	Mult. Sym.
MFDT-01	FlashDrop	FlashDrop is a powerful palm sized tool for fast and easy parameter selecting and setting. It gives the possibility to hide selected parameters to protect the machine. Only the parameters needed in the application are shown. The tool can upload/download parameters, copy parameters between two drives or between a PC and a drive. Includes DrivePM (Drive Parameter Manager) which is a software tool to create, edit and copy parameter sets for FlashDrop. The parameter sets can consist of all parameters or only a set of the user parameters.	600	ES
MUL1-R1	NEMA 1 Enclosure Kit	This option provides the necessary hardware to modify the ACS150 drive from the standard fingersafe protected chassis to NEMA 1 protection capable of landing conduit. MUL1-R1 kit is used with frame sizes R0 through R2.	75	ES

ACS150 Dimensions

 IP 20/UL Open NEMA 1	Frame Size	IP20 (cabinet) / UL Open						NEMA 1 / UL Type 1				
		H1 (in)	H2 (in)	H3 (in)	W (in)	D (in)	Wt. (lb)	H4 (in)	H5 (in)	W (in)	D (in)	Wt. (lb)
	R0	6.65	7.95	9.41	2.76	5.59	2.4	10.12	11.02	2.76	5.59	3.3
	R1	6.65	7.95	9.41	2.76	5.59	2.9 / 2.61	10.12	11.02	2.76	5.59	3.7 / 3.52
	R2	6.65	7.95	9.41	4.13	5.59	3.3	10.12	11.1	4.13	5.59	4.2

¹ U_N = 200...240 V: 1.3 kg / 2.9 lb, U_N = 380...480 V: 1.2 / 2.9 lb.

² U_N = 200...240 V: 1.7 kg / 3.7 lb, U_N = 380...480 V: 1.6 / 3.5 lb.

H1 = Height without fastenings and clamping plate

H2 = Height with fastenings but without clamping plate

H3 = Height with fastenings and clamping plate

H4 = Height with fastenings and NEMA 1 connection box

H5 = Height with fastenings, NEMA 1 connection box and Hood

ACS250 IP20 AC Micro Drive

1/2 thru 1/5 Hp
1 thru 20 Hp

115 Vac **1 Phase - 50/60 Hz**
600 Vac **3 Phase - 50/60 Hz**

Applications: Applications with 115V (for 230V motors) and 600V supply power: conveyors, mixers, pumps, fans, food and beverage variable torque, constant torque or constant horsepower applications. Compact size replaces motor starters/soft starters. New installations, replacements and original equipment manufactures (OEM).

Features: V/Hz control for linear (CT) or squared (VT) applications or Sensorless Vector Control (600V only). Overload capacity of 150% for 60 seconds or 175% for 2 seconds. Built in PI control. IP20 enclosure with wall or DIN rail mounting. Remote mount keypad option kit. Integrated keypad with operator interface and local speed control. Optional drive parameter copying tool. Easy setup and commissioning with ABB common programming structure. Quick start macros for fast commissioning and start-up built-in braking chopper allows connection to remote braking resistor for enhanced performance needs. Built-in Modbus RTU and relay option kit allows fast system integration.



Performance Features	Control Mode	115 VAC: V/Hz
		600 VAC: V/Hz and open loop vector
	Operator Interface Module	Integral Drive Mounted
	Keypad Display	6-character LED display
	Programmable Preset Speeds	Four
	Analog Outputs: one	One (0-10 VCD)
	Auto Restart	Yes -- Up to 5 attempts
	Frequency Avoidance	One band
	Fault History	Last four faults
	Digital Inputs: four	Two programmable digital inputs, two user selectable analog/digital inputs
Drive Specifications	Analog Inputs: two	0-10 VDC, 4 - 20mA
	Relay Outputs: one	Built-in form C relay, 250 VAC, 6A / 30 VDC, 5A
	Analog Output / Digital Output	0-10 VDC: one analog usable for meter (freq., current, voltage) or digital output
	Overload Capacity	Drive Output 150% for 1 minute and 175% for 2 seconds
	Maximum Load	1.5 HP @ 120 V In/230 V Out, 20 HP @ 600 V In/Out
	Input Voltage Ranges:	115 VAC (99-126); 600 VAC (450-660)
	Rated Input Frequency	50-60Hz (±5%)
	Safe Torque Off	600V only: SIL2 rating
	Carrier Frequency:	4-32 kHz (8 kHz default)
	Operating Temperature:	-10° to 50°C
	Dynamic Braking:	Built-in brake chopper in frames 2 & 3
	External Braking Resistor	Up to 150% dynamic braking with properly sized resistor
	DC Injection Braking:	Included
	Volts/Hz	Linear V/Hz, user defined, energy optimizer & boost function
	Frequency Control Range:	0-500 Hz
	Accel/Decel:	Independently adjustable accel. & decel. Ramps
	Time Range:	0.0 to 600.0 Seconds
	Keypad Speed Control	Yes
	Sink/Source Inputs	Source, 24 VDC Logic
	Electronic Overload Trip	Electronic motor overload inverse 150% for 1 minute or 175% for 2 seconds
Communications	Built-in MODBUS-RTU (RS-485) Communications	
PI Control	Built-in	
Protective Features	Under Voltage	Level Depends on Voltage Class (120, 240, 480, or 600)
	Output Short Circuit	Phase-to-Phase on Drive Output
	Over Temperature	Heatsink Monitor
	DC Bus Overvoltage	DC Bus Level Trip
	Drive Overload	Exceed drive rating of 150% for one minute or 175% for 2 seconds
	Over Current	Over-current/short-Circuit protection
	Output Phase	Trips on open Output Phase
	Ground Fault	Trips on phase to ground short circuit
	Loss of Reference	Trips on Loss of Speed Command Signal
	Communication Error	Detects a communication error (fault)
Agency Certifications	UL, cUL, CE, C-tick, GOST-R	
Service Conditions	Altitude:	1,000 m (3,300 ft.). Derate by 1% every 100 m (328 ft.) up to 2,000m (6,600 ft.)
	Ambient Temperature:	-10° (14°F) to 50°C (122°F)
	Relative Humidity:	0% to 95%, non-condensing
	Intermittent Overload:	150% overload capacity for up to 1 minute, 175% overload capacity for up to 2 seconds

ACS250 IP20 - Ratings & Pricing

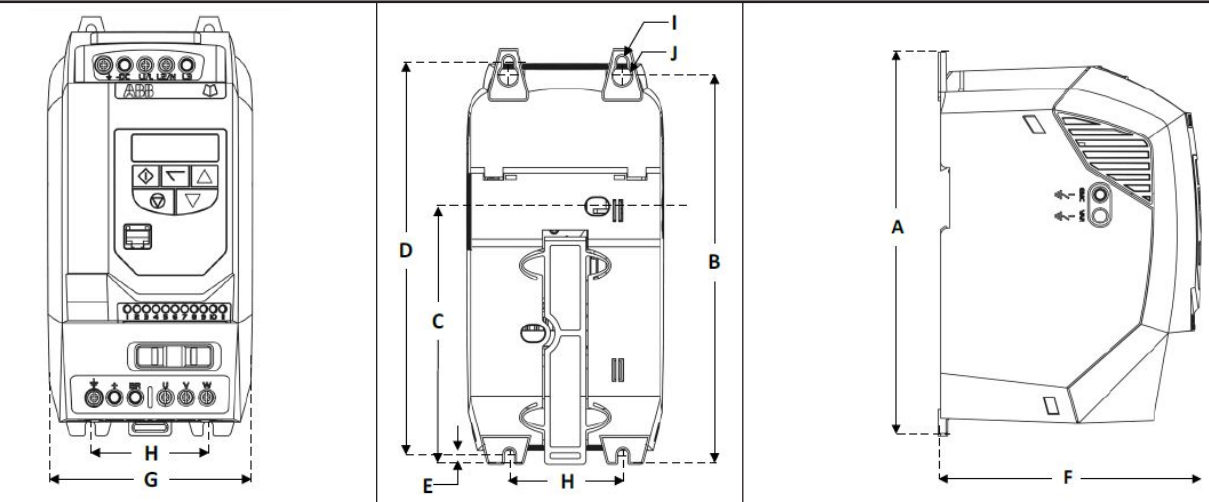
Catalog Number	Braking Chopper (included)	HP	Output Current	Weight (lbs)	Frame Size	List Price	Multiplier Symbol
1-Phase Supply Voltage 110 to 120 V, +/-10%, 3-Phase Output 200 to 240 V							
ACS250-01U-02A3-1	-	0.5	2.3	2.2	E1	408	EP
ACS250-01U-04A3-1	-	1.0	4.3	2.2	E1	450	EP
ACS250-01U-05A8-1	X	1.5	5.8	3.75	E2	552	EP
3-Phase Supply Voltage 500 to 600 V, +/-10%							
ACS250-03U-02A1-6	X	1.0	2.1	4.0	P2	602	EP
ACS250-03U-03A1-6	X	2.0	3.1	4.0	P2	782	EP
ACS250-03U-04A1-6	X	3.0	4.1	4.0	P2	869	EP
ACS250-03U-06A5-6	X	5.0	6.5	4.0	P2	1,043	EP
ACS250-03U-09A0-6	X	7.5	9.0	4.0	P2	1,459	EP
ACS250-03U-12A0-6	X	10.0	12.0	7.7	P3	1,751	EP
ACS250-03U-17A0-6	X	15.0	17.0	7.7	P3	2,291	EP
ACS250-03U-22A0-6	X	20	22	7.7	P3	2,917	EP

ACS250 IP20 Option Kits

ACS250 IP20 options (these options will be shipped separately from drive shipping package)

Variant	Description	Field Kit	Voltage Rating		Multiplier Symbol
			120 V	600 V	
RCCS-01 Copying Tool	Copy stick, which is used to upload and download the parameters through RJ45 connection. Parameters can only be copied between drives of the same product range and power rating (size).	RCCS-01	234	234	ES
RCRO-01 Relay Output Card	The second relay output module can be used in applications where the analog output from the drive is converted to a relay output. Max relay switching voltage: 250 VAC/220 VDC. Max relay switching current: 1A Max input voltage: +/- 50 VDC Environmental: -10°C ... +50°C Conformity: IP00, UL94V-0.	RCRO-01	140	NA	ES
RCRP-01 External LED	Remote keypad that can be added through RJ45 connection. Signal interface: standard 6-way RJ45 connector Supply input: 10V ... 36 VDC, 30mA RS485 signal: industry standard 2-wire +5V differential Environmental: operational 0 ... 50 °C Storage: -40°C ... 60°C Relative humidity: < 95% (non condensing) Protection rating: IP54 Max cable length: 20m (unscreened, total length) 100m (screened, twisted pair, total length).	RCRP-01	106	106	ES
RCRJ-01 RJ45 Y-Cable Splitter	The data cable splitter is a 3-way "Y" cable splitter suitable for a RS-485 network of drives. The option is compatible with standard CAT 5 or CAT 6 type cable and can be used for Modbus-RTU or an RS-485 remote keypad network.	RCRJ-01	59	59	ES
RCNT-01 RJ45 Y-Cable Splitter w/Term	The data cable splitter with terminal block is a 3-way "Y" cable splitter with one terminal block suitable for an RS-485 network of drives. Two of the three connections are compatible with standard CAT 5 or CAT 6 type cable and the third is a terminal block that can be used to connect a PLC or network terminating resistor.	RCNT-01	183	183	ES
ACS250 Democase	Powered by 115 VAC, the program case does includes an ACS250 drive and IO board with switches, speed potentiometer and LED. Ideal for demonstrating the programmability of the ACS250. There is no motor included in this democase.	ACS250-DEMOCASE	2,000	NA	ES

4.2. Mechanical Dimensions and Mounting – IP20 Open Units

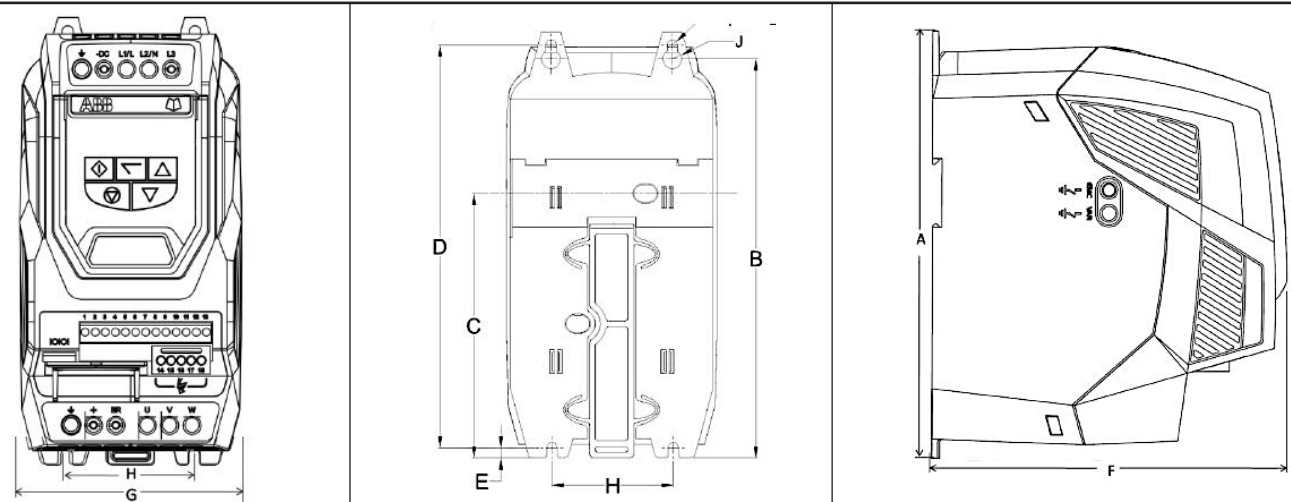


Drive Frame Size	A		B		C		D		E		F		G		H		I		J		Weight	
	mm	in	mm	in	mm	in	mm	in	mm	in	mm	in	mm	in	mm	in	mm	in	mm	in	kg	lb
1	173	6.81	160	6.30	109	4.29	162	6.38	5	0.20	123	4.84	82	3.23	50	1.97	5.5	0.22	10	0.39	1.0	2.20
2	221	8.70	207	8.15	137	5.39	209	8.23	5.3	0.21	150	5.91	109	4.29	63	2.48	5.5	0.22	10	0.39	1.7	3.75

NOTE Maximum Control Terminal Torque Settings of 0.5 NM (4.5 lb-in)
Maximum Power Terminal Torque Settings of 1 NM (9 lb-in)

Mechanical Dimensions and Weights – IP20 Open Units

600V IP20 Units



Drive Size	A		B		C		D		E		F		G		H		I		J		Weight	
	mm	in	mm	in	mm	in	mm	in	mm	in	mm	in	mm	in	mm	in	mm	in	mm	in	Kg	lb
2	221	8.70	207	8.15	137	5.39	209	8.23	5.3	0.21	185	7.28	112	4.41	63	2.48	5.5	0.22	10	0.39	1.8	4
3	261	10.28	246	9.69	-	-	247	9.72	6	0.24	205	8.07	131	5.16	80	3.15	5.5	0.22	10	0.39	3.5	7.7

Definite Purpose Motors

Unit Handling Motors

Brake Motors

200 & 575 Volt Motors

IEC Frame Motors

50 Hertz Motors

Inverter/Vector Motors & Controls

DC Motors and Controls

Soft Starters

Gearmotors and Gear Products

ACS250 IP66 AC Micro Drive

1/2 thru 1.5 Hp
1/2 thru 3 Hp
1/2 thru 5 Hp
1 thru 10 Hp
1 thru 15 Hp

IP66 - NEMA 4X
IP66 - NEMA 4X
IP66 - NEMA 4X
IP66 - NEMA 4X
IP66 - NEMA 4X

115 Vac
230 Vac
230 Vac
460 Vac
600 Vac

1 Phase - 50/60 Hz
1 Phase - 50/60 Hz
3 Phase - 50/60 Hz
3 Phase - 50/60 Hz
3 Phase - 50/60 Hz



Applications: Harsh environment applications with 115V (for 230V motors), 230V, 460V & 600V supply power: conveyors, mixers, pumps, fans, food and beverage variable torque, constant torque or constant horsepower applications. Compact size replaces motor starters/soft starters. New installations, replacements and original equipment manufacturers (OEM).

Features: V/Hz control for linear (CT) or squared (VT) applications or Sensorless Vector Control (600V only). Overload capacity of 150% for 60 seconds or 175% for 2 seconds. Built in PI control. IP20 enclosure with wall or DIN rail mounting. Remote mount keypad option kit. Integrated keypad with operator interface and local speed control. Optional operator controls - On/Off, Fwd-Off-Rev, and Speed Pot. Easy setup and commissioning with ABB common programming structure. Quick start macros for fast commissioning and start-up Built-in braking chopper allows connection to remote braking resistor for enhanced performance needs. Built-in Modbus RTU and Y-cable splitter kit allows fast system integration. Optional drive parameter copying tool.

Performance Features	Control Modes	115-460 VAC: V/Hz 600 VAC: V/Hz and open loop vector
	Operator Interface Module	Integral Drive Mounted
	Keypad Display	6-character LED display
	Programmable Preset Speeds	Four
	Analog Outputs: one	One (0-10 VDC)
	Auto Restart	Yes -- Up to 5 attempts
	Frequency Avoidance	One band
	Fault History	Last four faults
Drive Specifications	Analog Inputs: two	0-10 VDC, 4 - 20mA
	Relay Outputs: one	Built-in form C relay, 250 VAC, 6A / 30 VDC, 5A
	Analog Output / Digital Output	0-10 VDC: one analog usable for meter (freq., current, voltage) or digital output
	Overload Capacity	Drive Output 150% for 1 minute and 175% for 2 seconds
	Maximum Load	5 HP @ 230 VAC, 10 HP @ 460 VAC, 15 HP @ 600 VAC
	Input Voltage Ranges:	115 VAC (99-126); 230 VAC (198-264); 460 VAC (342-528); 600 VAC (450-660)
	Rated Input Frequency	50-60Hz (±5%)
	Carrier Frequency:	4-32 kHz (8 kHz default)
	Operating Temperature:	-10° to 40°C
	Dynamic Braking:	Built-in brake chopper in frames 2 & 3
	External Braking Resistor	Up to 150% dynamic braking with properly sized resistor
	DC Injection Braking:	Included
	Volts/Hz	Linear V/Hz, user defined, energy optimizer & boost function
	Frequency Control Range:	0-500 Hz
	Accel/Decel:	Independently adjustable accel. & decel. Ramps
	Time Range:	0.0 to 600.0 Seconds
	Keypad Speed Control	Yes
	Sink/Source Inputs	Source, 24 VDC Logic
Electronic Overload Trip	Electronic motor overload inverse 150% for 1 minute or 175% for 2 seconds	
Communications	Built-in MODBUS-RTU (RS-485) Communications	
PI Control	Built-in	
Protective Features	Under Voltage	Level Depends on Voltage Class (120, 240, 480, or 600)
	Output Short Circuit	Phase-to-Phase on Drive Output
	Over Temperature	Heatsink Monitor
	DC Bus Overvoltage	DC Bus Level Trip
	Drive Overload	Exceed drive rating of 150% for one minute or 175% for 2 seconds
	Over Current	Over-current/short-Circuit protection
	Output Phase	Trips on open Output Phase
	Loss of Reference	Trips on Loss of Speed Command Signal
Communication Error	Detects a communication error (fault)	
Agency Certifications	UL, cUL, CE, C-tick, GOST-R	
Service Conditions	Altitude:	1,000 m (3,300 ft.). Derate by 1% every 100 m (328 ft.) up to 2,000m (6,600 ft.)
	Ambient Temperature:	-10° (14°F) to 40°C (102°F)
	Relative Humidity:	0% to 95%, non-condensing
	Intermittent Overload:	150% overload capacity for up to 1 minute, 175% overload capacity for up to 2 seconds



NEW!

Inverter/Vector Motors & Controls

ACS250 IP66 Ratings & Pricing

Catalog Number	Braking Chopper (Included)	HP	Output Current	Weight (lbs)	Frame Size	List Price	Optional Switch (+F278)	Multiplier Symbol
1-Phase Supply Voltage 110 to 120V, +/-10%, 3-Phase Output 200 to 240V								
ACS250-01U-02A3-1+B063	-	0.5	2.3	6.5	E1	757	936	EP
ACS250-01U-04A3-1+B063	-	1	4.3	6.5	E1	836	1,010	EP
ACS250-01U-05A8-1+B063	X	1.5	5.8	9.3	E2	1,018	1,151	EP
1-Phase Supply Voltage 200 to 240V, +/-10%, 3-Phase Output 200 to 240V								
ACS250-01U-02A3-2+B063	-	0.5	2.3	6.5	E1	723	832	EP
ACS250-01U-04A3-2+B063	-	1	4.3	6.5	E1	795	893	EP
ACS250-01U-07A0-2+B063	-	2	7	6.5	E1	853	1,004	EP
ACS250-01U-10A5-2+B063	X	3	10.5	9.3	E2	982	1,122	EP
3-Phase Supply Voltage 200 to 240V, +/-10%								
ACS250-03U-02A3-2+B063	-	0.5	2.3	6.5	E1	660	780	EP
ACS250-03U-04A3-2+B063	-	1	4.3	6.5	E1	717	813	EP
ACS250-03U-07A0-2+B063	X	2	7	9.3	E2	824	974	EP
ACS250-03U-10A5-2+B063	X	3	10.5	9.3	E2	950	1,122	EP
ACS250-03U-18A0-2+B063	X	5	18	17	E3	1,353	1,500	EP
3-Phase Supply Voltage 380 to 480V, +/-10%								
ACS250-03U-02A2-4+B063	-	1	2.2	6.5	E1	777	896	EP
ACS250-03U-04A1-4+B063	-	2	4.1	6.5	E1	911	1,040	EP
ACS250-03U-05A8-4+B063	X	3	5.8	9.3	E2	1,027	1,175	EP
ACS250-03U-09A5-4+B063	X	5	9.5	9.3	E2	1,275	1,411	EP
ACS250-03U-14A0-4+B063	X	7.5	14	17	E3	1,646	1,765	EP
ACS250-03U-18A0-4+B063	X	10	18	17	E3	1,952	2,118	EP
3-Phase Supply Voltage 500 to 600V, +/-10%								
ACS250-03U-02A1-6+B063	X	1	2.1	10.6	P2	1,285	1,462	EP
ACS250-03U-03A1-6+B063	X	2	3.1	10.6	P2	1,484	1,649	EP
ACS250-03U-04A1-6+B063	X	3	4.1	10.6	P2	1,697	1,849	EP
ACS250-03U-06A5-6+B063	X	5	6.5	10.6	P2	1,946	2,082	EP
ACS250-03U-09A0-6+B063	X	7.5	9	10.6	P2	2,455	2,559	EP
ACS250-03U-12A0-6+B063	X	10	12	16.1	P3	2,925	3,096	EP
ACS250-03U-17A0-6+B063	X	15	17	16.1	P3	4,297	4,424	EP

Definite Purpose Motors

Unit Handling Motors

Brake Motors

200 & 575 Volt Motors

IEC Frame Motors

50 Hertz Motors

Inverter/Vector Motors & Controls

DC Motors and Controls

Soft Starters

Gearmotors and Gear Products

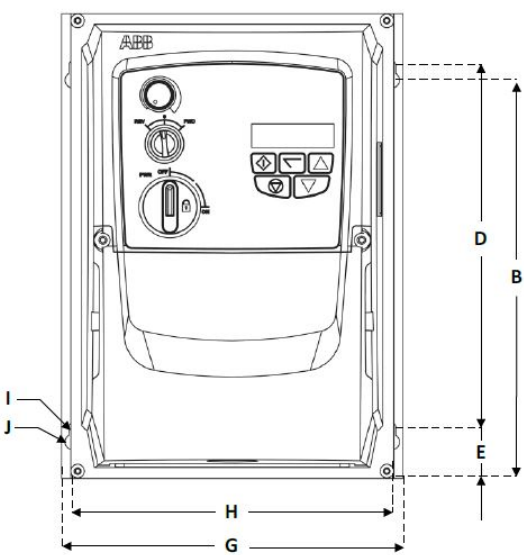
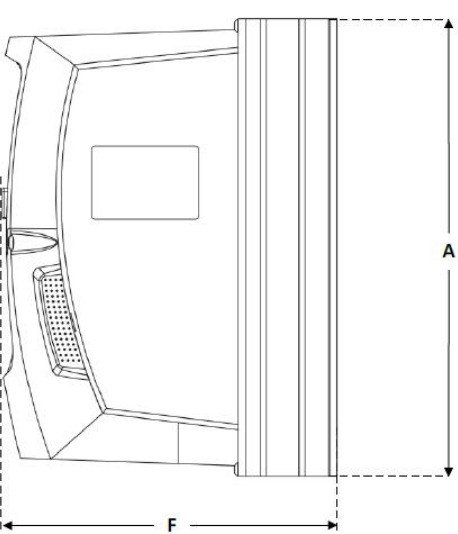
NEW!

ACS250 IP66 Option Kits

ACS250 IP66 options (these options will be shipped separately from drive shipping package)

Variant	Description	Field Kit	Voltage Rating		Multiplier Symbol
			120 V	600 V	
RCCS-01 Copying Tool	Copy stick, which is used to upload and download the parameters through RJ45 connection. Parameters can only be copied between drives of the same product range and power rating (size).	RCCS-01	234	234	ES
RCRO-01 Relay Output Card	The second relay output module can be used in applications where the analog output from the drive is converted to a relay output. Max relay switching voltage: 250 VAC/220 VDC Max relay switching current: 1A Max input voltage: +/- 50 VDC Environmental: -10°C ... +50°C Conformity: IP00, UL94V-0	RCRO-01	140	N/A	ES
RCRP-01 External LED	Remote panel that can be added through RJ45 connection. Signal interface: standard 6-way RJ45 connector Supply input: 10V ... 36 VDC, 30mA RS485 signal: industry standard 2-wire +5V differential Environmental: operational 0 ... 50°C Storage: -40°C ... 60°C Relative humidity: < 95% (non condensing) Protection rating: IP54 Max cable length: 20m (unscreened, total length) 100m (screened, twisted pair, total length).	RCRP-01	106	106	ES
RCRJ-01 RJ45 Y-Cable Splitter	The data cable splitter is a 3-way "Y" cable splitter suitable for a RS-485 network of drives. The option is compatible with standard CAT 5 or CAT 6 type cable and can be used for Modbus-RTU or an RS-485 remote keypad network.	RCRJ-01	59	59	ES
RCNT-01 RJ45 Y-Cable Splitter w/Term	The data cable splitter with terminal block is a 3-way "Y" cable splitter with one terminal block suitable for an RS-485 network of drives. Two of the three connections are compatible with standard CAT 5 or CAT 6 type cable and the third is a terminal block that can be used to connect a PLC or network terminating resistor.	RCNT-01	183	183	ES

4.4. Mechanical Dimensions – IP66 (NEMA 4X) Enclosed Units

Drive Frame Size	A		B		D		E		F		G		H		I		J		Weight	
	mm	in	mm	in	mm	in	mm	in	mm	in	mm	in	mm	in	mm	in	mm	in	Kg	lb
1	232.0	9.13	207.0	8.15	189.0	7.44	25.0	0.98	179.0	7.05	161.0	6.34	148.5	5.85	4.0	0.16	8.0	0.31	2.95	6.50
2	257.0	10.12	220.0	8.67	200.0	7.87	28.5	1.12	186.5	7.34	188.0	7.40	176.0	6.93	4.2	0.17	8.5	0.33	4.20	9.26
3	310.0	12.2	276.5	10.89	251.5	9.90	33.4	1.31	228.7	9.00	210.5	8.29	197.5	7.78	4.2	0.17	8.5	0.33	7.7	17

NOTE The size 3 product has 4 symmetrical mounting points
 Maximum Control Terminal Torque Settings of 0.5 NM (4.5 lb-in)
 Maximum Power Terminal Torque Settings of 1 NM (9 lb-in)

Definite Purpose Motors

Unit Handling Motors

Brake Motors

200 & 575 Volt Motors

IEC Frame Motors

50 Hertz Motors

Inverter/Vector Motors & Controls

DC Motors and Controls

Soft Starters

Gearmotors and Gear Products

ACS310 AC Micro Drive

1/2 thru 3 Hp	230 Vac	1 Phase - 50/60 Hz
1/2 thru 15 Hp	230 Vac	3 Phase - 50/60 Hz
1/2 thru 30 Hp	460 Vac	3 Phase - 50/60 Hz



Control Panel Not Included

Applications: Pumps and fans - Applications not requiring vector speed control. Variable torque, constant torque or constant horsepower applications. New installations, replacements and original equipment manufactures (OEM).

Features: V/Hz control for linear (CT), squared (VT) or custom user defined curve. Peak overload capacity of 110%. Flexible mounting options - wall or DIN rail mount. IP20 enclosure standard. NEMA1 protection kit available. Shipped with blank cover. Basic control panel or advanced control panel available. Programming by groups makes it easy to navigate and find parameters. A quick start assistant enables users to program and start using the drive in minutes without need for a User Manual. Built-in PID controller, Pump protection, Pump and fan control (PFC) for pumps and fans run in parallel.

Performance Features	Control Modes	Scalar (V/Hz)
	Operator Interface Module	Basic and advanced control panels available. Shipped with blank cover.
	Keypad Display	LCD Graphical Display
	Programmable Preset Speeds	Seven
	Analog Outputs	One (0/4 - 20 mADC)
	Auto Restart	Yes -- Up to 5 attempts
	Frequency Avoidance	Three Bands
	Fault History	Last Three Faults
	Digital Inputs	Five Configurable Inputs
Drive Specifications	Analog Inputs: Two Total	0-10 VDC, -10 to 10 VDC or 0/4 - 20mADC
	Digital Outputs: Two Total	One Transistor Output Form C Relay
	Analog Outputs	0/4 - 20mADC
	Overload Capacity	Drive Output 110% for 1 min.
	Input Voltage Ranges:	Single phase: 200 - 240 VAC 3-phase: 200 - 240 VAC; 380 - 480 VAC
	Input Voltage Tolerance	10% / -10%
	Rated Input Frequency	50-60Hz (±5%)
	Carrier Frequency:	4-16 kHz (4 kHz default)
	Operating Temperature:	-10° to 40°C; -10° to 50°C w/ 10% derate
	DC Injection Braking:	Standard
	Flux Optimization:	Can improve efficiency up to 10% on light loads
	Volts/Hz	Linear V/Hz (CT)
		Squared V/Hz (VT)
		Custom 4-Point V/Hz Curve
	Frequency Control Range:	0-599 Hz
	Accel/Decel:	Two independently adjustable sets of ramps
	Time Range:	0.0 to 1800 Seconds
	Keypad Speed Control	Yes
	Sink/Source Inputs	Selectable, 24 VDC Logic
	Electronic Overload Trip	Electronic Motor Overload Inverse Time calculation
	Communications	Built-in MODBUS-RTU (RS-485) Communications
	PID Control	Built-in
Protective Features	Under Voltage	Level Depends on Voltage Class (240, 480)
	Ground Fault Protection	Ground Fault protection active during run
	Output Short Circuit	Phase-to-Phase on Drive Output
	Over Temperature	Heatsink Monitor
	Motor Overtemp	Excessive estimated Motor Temperature
	DC Bus Overvoltage	DC Bus Level Trip
	IGBT Overtemp	Drive Output IGBT Temp is too high
	Over Current	Over-current/short-Circuit protection
	Output Phase Loss	Trips on Motor Phase Loss
	Loss of Reference	Trips on Loss of Speed Command Signal
	Comm. Error	Detects a communication error (fault)
	Loss of Keypad	Drive will trip if under keypad control and keypad communication is lost
	Incorrect Wiring	Drive faults on output wiring fault when input power is connected to Motor terminals
	Motor Model Calc Fail	Drive will trip if Motor Model cannot be determined - Sensorless Vector Control
Agency Certifications		UL, cUL, CE, C-tick, GOST-R
Service Conditions	Altitude:	1,000 m (3,300 ft.). Derate by 1% every 100 m (328 ft.) up to 2,000m (6,600 ft.)
	Ambient Temperature:	-10°C (14°F) to 40°C (104°F) - up to 50°C with 10% derate
	Relative Humidity:	0% to 95%, non-condensing
	Intermittent Overload:	110% overload capacity for up to 1 minute



NEW!

Inverter/Vector Motors & Controls

ACS310 - Ratings & Pricing

240Vac Ratings Supply Voltage 200...240 V

Catalog Number	HP	kW	Ratings		Frame Size	IP20 with Blank Panel List Price	Multiplier Symbol
			50°C (122°F)	40°C (104°F)			
			Amps (110% OL)	Amps			
1-Phase, 200 - 240V (200, 208, 230, 240V)							
ACS310-01U-02A4-2	0.5	0.37	2.3	2.4	R0	258	EQ
ACS310-01U-04A7-2	1	0.75	4.5	4.7	R1	325	EQ
ACS310-01U-06A7-2	1.5	1.1	6.5	6.7	R1	385	EQ
ACS310-01U-07A5-2	2	1.5	7.2	7.5	R2	420	EQ
ACS310-01U-09A8-2	3	2.2	9.4	9.8	R2	475	EQ
3-Phase, 200 - 240V (200, 208, 230, 240V)							
ACS310-03U-02A6-2	0.5	0.37	2.4	2.6	R0	215	EQ
ACS310-03U-03A9-2	0.75	0.55	3.5	3.9	R0	239	EQ
ACS310-03U-05A2-2	1	0.75	4.7	5.2	R1	274	EQ
ACS310-03U-07A4-2	1.5	1.1	6.7	7.4	R1	303	EQ
ACS310-03U-08A3-2	2	1.5	7.5	8.3	R1	346	EQ
ACS310-03U-10A8-2	3	2.2	9.8	10.8	R2	415	EQ
ACS310-03U-19A4-2	5	4.0	17.6	19.4	R2	545	EQ
ACS310-03U-26A8-2	7.5	5.5	24.4	26.8	R3	739	EQ
ACS310-03U-34A1-2	10	7.5	31.0	34.1	R4	957	EQ
ACS310-03U-50A8-2	15	11.0	46.2	50.8	R4	1,235	EQ

480Vac Ratings 3-phase Supply Voltage 380...480V

Catalog Number	HP	kW	Ratings		Frame Size	IP20 with Blank Panel List Price	Multiplier Symbol
			50°C (122°F)	40°C (104°F)			
			Amps (110% OL)	Amps			
3-Phase Input Voltage = 380...480V (380, 400, 415, 440, 460, 480V)							
ACS310-03U-01A3-4	0.5	0.37	1.2	1.3	R0	342	EQ
ACS310-03U-02A1-4	0.75	0.55	1.9	2.1	R0	359	EQ
ACS310-03U-02A6-4	1	0.75	2.4	2.6	R1	376	EQ
ACS310-03U-03A6-4	1.5	1.1	3.3	3.6	R1	400	EQ
ACS310-03U-04A5-4	2	1.5	4.1	4.5	R1	415	EQ
ACS310-03U-06A2-4	3	2.2	5.6	6.2	R1	507	EQ
ACS310-03U-09A7-4	5	4.0	8.8	9.7	R1	606	EQ
ACS310-03U-13A8-4	7.5	5.5	12.5	13.8	R3	725	EQ
ACS310-03U-17A2-4	10	7.5	15.6	17.2	R3	867	EQ
ACS310-03U-25A4-4	15	11.0	23.1	25.4	R3	1,065	EQ
ACS310-03U-34A1-4	20	15.0	31.0	34.1	R4	1,402	EQ
ACS310-03U-41A8-4	25	18.5	38.0	41.8	R4	1,709	EQ
ACS310-03U-48A4-4	30	22.0	44.0	48.4	R4	2,055	EQ

NEW!

Definite Purpose Motors

Unit Handling Motors

Brake Motors

200 & 575 Volt Motors

IEC Frame Motors

50 Hertz Motors

Inverter/Vector Motors & Controls

DC Motors and Controls

Soft Starters

Gearmotors and Gear Products

ACS310 Option Kits

Catalog Number	Name		List Price	Mult. Sym.
ACS-CP-A	Advanced Control Panel	The Advanced Control Panel includes a full graphic, backlite display capable of displaying three Actual Signal values or bar graphs. The Alpha-Numeric display supports thirteen languages. A Real Time Clock is also included. This panel supports the internal Sequence Programming Function.	150	ES
ACS-CP-C	Basic Control Panel	The Basic Control Panel includes a single line numeric backlit LCD display.	75	ES
OPMP-01	Cabinet Panel Mounting	Control Panel Mounting Platform allows remote mounting of the keypad on a large enclosure or remote panel. The kit maintains UL Type 12 integrity of the mounting location. Adapters, 3 m (10ft) cable and mounting hardware are included in this kit. With this mounting arrangement, the keypad is removable from the panel in a fashion identical to a drive-mounted keypad.	138	ES
ACS/H-CP-EXT	Control Panel Mounting	Control Panel Mounting Kit for ACS310 drives allows remote mounting of the keypad on the door of an enclosure. The kit includes a 10 ft (3 m) CAT 5 patch cable, gasket for NEMA 12, mounting hardware and drilling template.	55	ES
ACS/H-CP-EXT-IP66	NEMA 4X Cabinet Panel Mounting	Allows remote mounting of the ACS-CP-A or ACS-CP-C Operator Panels on a larger NEMA 4X (IP66) enclosure or remote panel. The kit maintains NEMA 4X integrity of the mounting location. All necessary hardware and a mounting template are provided in addition to a 3 m panel cable. When mounted, the operator is not removable from the front of the enclosure. The operator panel must be purchased separately.	63	ES
OCAT-01	Panel Extension Cable	7 foot CAT 5 patch cable allows remote operation of the standard panel or connection of the drive to a Personal Computer using the RJ45/DB9 Adapter which must be purchased separately.	40	ES
MREL-01	Relay Output Extension Module	The Relay Output Extension module (MREL) is an interface for connecting three (3) FORM C relay outputs. The MREL-01 is supported from SW version 2.57C and onwards for the ACS355 and is supported by all SW version of ACS310 & ACS355.	105	ES
SREA-01-KIT	Ethernet Adapter (Gateway)	SREA-01 is an optional device for web browser based remote interface to the ACS310 and ACS355 drives via ethernet. This din rail mounted adapter enables remote data acquisition through a standard web browser, utilizing an internal web server for drive configuration and access. Multiple drives (up to 10) can be connected to the Modbus-RTU or Modbus-TCP.	1,250	ES
MFDT-01	Flashdrop	FlashDrop is a powerful palm sized tool for fast and easy parameter selecting and setting. It gives the possibility to hide selected parameters to protect the machine. Only the parameters needed in the application are shown. The tool can upload/download parameters, copy parameters between two drives or between a PC and a drive. Includes DrivePM (Drive Parameter Manager) which is a software tool to create, edit and copy parameter sets for FlashDrop. The parameter sets can consist of all parameters or only a set of the user parameters.	600	ES
OPCA-01	RJ45/DB9 Adapter	This adapter converts the drive's panel port RJ45 (CAT 5 cable connector) plug to a 9 pin RS-232 computer serial port connector for connecting the drive to a PC.	50	ES
MUL1-R1 MUL1-R3 MUL1-R4	NEMA 1 Enclosure Kit	This option provides the necessary hardware to modify the ACS310, or ACS355 drive from the standard fingersafe protected chassis to NEMA 1 protection capable of landing conduit. MUL1-R1 kit is used with frame sizes R0 through R2, MUL1-R3 is used with frame size R3, and MUL1-R4 is used with frame size R4.	75 75 100	ES ES ES
3AFE64532871	DriveWindow Light 2.x	DriveWindow Light is software designed for online drive commissioning and maintenance purposes. It is possible to adjust parameters, read the actual values and control the drive with DriveWindow Light instead of the drive control panel. It is also possible to follow trends and draw graphs. An RJ45 to DB9 adapter cable (OPCA-01) is provided to permit connection between the panel port and a PC.	275	ES
ACS310-DEMOCASE	ACS310 Demo Case	Powered by 115VAC, the DemoCase includes an ACS310 drive mounted on a panel. Included is a motor and I/O board with switches, pots, meters and LEDs permitting remote operation of the drive and motor.	2,800	ES

Definite Purpose Motors

Unit Handling Motors

Brake Motors

200 & 575 Volt Motors

IEC Frame Motors

50 Hertz Motors

Inverter/Vector Motors & Controls

DC Motors and Controls

Soft Starters

Gearmotors and Gear Products

ACS310 Dimensions



Frame Size	IP20 (cabinet) / UL Open				NEMA 1 / UL Type 1			
	H1 (in)	W (in)	D (in)	Wt. (lb)	H2 (in)	W (in)	D (in)	Wt. (lb)
R0	9.41	2.76	6.34	2.6	11.02	2.76	6.65	3.5
R1	9.41	2.76	6.34	2.6	11.02	2.76	6.65	3.5
R2	9.41	4.13	6.50	3.3	11.10	4.13	6.65	4.2
R3	9.29	6.65	6.65	5.5	11.77	6.65	6.97	6.8
R4	9.61	10.24	6.65	9.7	12.60	10.24	6.97	11.0

H1 Height with fastenings and clamp plate

H2 Height with fastenings, NEMA 1 connection box and hood.

Definite Purpose Motors

Unit Handling Motors

Brake Motors

200 & 575 Volt Motors

IEC Frame Motors

50 Hertz Motors

Inverter/Vector Motors & Controls

DC Motors and Controls

Soft Starters

Gearmotors and Gear Products

ACS355 AC Micro Drive

1/2 thru 3 Hp	230 Vac	1 Phase - 50/60 Hz
1/2 thru 15 Hp	230 Vac	3 Phase - 50/60 Hz
1/2 thru 30 Hp	460 Vac	3 Phase - 50/60 Hz



Applications: Variable torque, constant torque or constant horsepower applications. New installations, replacements and original equipment manufactures (OEM).

Features: Volts per Hertz, Open Loop Vector Control with peak overload capacity of 150% and PID capability. Flexible mounting options with IP20 enclosure as standard and NEMA 1 option kit. Ships with blank control panel, advanced or basic control panel option available for operator interface and local speed control. Programming by groups makes it easy to navigate and find parameters. A quick start assistant enables users to program and start using the drive in minutes without need for a User Manual. Built-in braking transistor allows connection to remote braking resistor for enhanced performance needs.

Control Panel Not Included

Performance Features	Control Modes	V/Hz and Open Loop Vector
	Motor Control	Induction, Permanent Magnet
	Operator Interface Module	Integral Drive Mounted
	Control Panel Display	LCD Graphical Display
	Programmable Preset Speeds	Seven
	Analog Outputs	One (0/4 - 20mADC)
	Auto Restart	Yes -- Up to 5 attempts
	Frequency Avoidance	Three Bands
	Fault History	Last Three Faults
	Digital Inputs	Five Configurable Inputs
Drive Specifications	Analog Inputs: Two Total	0-10 VDC, -10 to 10 VDC or 0/4 - 20mADC
	Digital Outputs: Two Total	One Transistor Output Form C Relay, NO + NC, 250 VAC / 30 VDC
	Analog Outputs	0/4 - 20mADC
	Safe Torque Off	STO SIL 3
	Overload Capacity	Drive Output 150% for 1 min., 180% for 2 sec. at start
	Speed Control Accuracy	Static: 20% of motor nominal slip
	Input Voltage Ranges:	200 - 240 VAC; 380 - 480 VAC
	Input Voltage Tolerance	10% / -10%
	Rated Input Frequency	50-60Hz (±5%)
	Carrier Frequency:	4-16 kHz (4 kHz default)
	Operating Temperature:	-10° to 40°C; -10° to 50°C w/ 10% derate
	Dynamic Braking	Built-in Brake Chopper
	Flux Braking:	Standard
	DC Injection Braking:	Standard
	Flux Optimization:	Can improve efficiency up to 10% on light loads
	Volts/Hz	Linear V/Hz (CT) Squared V/Hz (VT) Custom 4-Point V/Hz Curve
	Open Loop Vector:	Full Open Loop Vector Control with Autotune Function and Motor Model Calculation
	Frequency Control Range:	0-599 Hz
	Accel/Decel:	Two independently adjustable sets of ramps
	Time Range:	0.0 to 1800 Seconds
	S Curve Accel. & Decel.	Yes, with adjustable rounding time
	Control Panel Speed Control	Yes
	Sink/Source Inputs	Selectable, 24 VDC Logic
	Electronic Overload Trip	Electronic Motor Overload Inverse Time calculation
	Communications	Built-in MODBUS-RTU (RS-485) Communications
	PID Control	Two independently controllable

Protective Features	Under Voltage	Level Depends on Voltage Class (240, 480)
	Ground Fault Protection	Ground Fault protection active during run
	Output Short Circuit	Phase-to-Phase on Drive Output
	Over Temperature	Heatsink Monitor
	Motor Overtemp	Excessive estimated Motor Temperature
	DC Bus Overvoltage	DC Bus Level Trip
	IGBT Overtemp	Drive Output IGBT Temp is too high
	Over Current	Over-current/short-Circuit protection
	Output Phase Loss	Trips on Motor Phase Loss
	Loss of Reference	Trips on Loss of Speed Command Signal
	Comm. Error	Detects a communication error (fault)
	Loss of Control Panel	Drive will trip if under Control Panel control and Control Panel communication is lost
	Incorrect Wiring	Drive faults on output wiring fault when input power is connected to Motor terminals
Motor Model Calc Fail	Drive will trip if Motor Model cannot be determined - Open Loop Vector Control	
Agency Certifications	UL, cUL, CE, C-tick, RoHS, TUV, NORD	
Service Conditions	Altitude:	1,000 m (3,300 ft.). Derate by 1% every 100 m (328 ft.) up to 2,000m (6,600 ft.)
	Ambient Temperature:	-10°C (14°F) to 40°C (104°F) - up to 50°C with 10% derate
	Relative Humidity:	0% to 95%, non-condensing
	Intermittent Overload:	150% overload capacity for up to 1 minute

ACS355 - Ratings & Pricing

ACS355 - 230V, 50/60Hz, 1-Phase IP20

Catalog Number	Frame	1-Phase Hp	Cont. Amps	IP20 with Blank Panel List Price	Mult. Sym
ACS355-01U-02A4-2	R0	0.5	2.4	319	ER
ACS355-01U-04A7-2	R1	1.0	4.7	362	ER
ACS355-01U-06A7-2	R1	1.5	6.7	405	ER
ACS355-01U-07A5-2	R2	2.0	7.5	448	ER
ACS355-01U-09A8-2	R2	3.0	9.8	540	ER

ACS355 - 230V, 50/60Hz, 3-Phase IP20

Catalog Number	Frame	1-Phase Hp	Cont. Amps	IP20 with Blank Panel List Price	Mult. Sym
ACS355-03U-02A4-2	R0	0.5	2.4	319	ER
ACS355-03U-03A5-2	R0	0.75	3.5	341	ER
ACS355-03U-04A7-2	R1	1	4.7	362	ER
ACS355-03U-06A7-2	R1	1.5	6.7	405	ER
ACS355-03U-07A5-2	R1	2	7.5	448	ER
ACS355-03U-09A8-2	R2	3	9.8	540	ER
ACS355-03U-17A6-2	R2	5	17.6	669	ER
ACS355-03U-24A4-2	R3	7.5	24.4	873	ER
ACS355-03U-31A0-2	R4	10	31.0	1,152	ER
ACS355-03U-46A2-2	R4	15	46.2	1,523	ER

ACS355 - Ratings & Pricing

ACS355 - 460V, 50/60Hz, 3-Phase IP20

Catalog Number	Frame	1-Phase Hp	Cont. Amps	IP20 with Blank Panel List Price	Mult. Sym
ACS355-03U-01A2-4	R0	0.5	1.2	380	ER
ACS355-03U-01A9-4	R0	0.75	1.9	419	ER
ACS355-03U-02A4-4	R1	1	2.4	458	ER
ACS355-03U-03A3-4	R1	1.5	3.3	494	ER
ACS355-03U-04A1-4	R1	2	4.1	529	ER
ACS355-03U-05A6-4	R1	3	5.6	641	ER
ACS355-03U-08A8-4	R1	5	8.8	761	ER
ACS355-03U-12A5-4	R3	7.5	12.5	935	ER
ACS355-03U-15A6-4	R3	10	15.6	1,154	ER
ACS355-03U-23A1-4	R3	15	23.1	1,475	ER
ACS355-03U-31A0-4	R4	20	31	1,800	ER
ACS355-03U-38A0-4	R4	25	38	2,142	ER
ACS355-03U-44A0-4	R4	30	44	2,602	ER

ACS355 Option Kits

Catalog Number	Name		List Price	Mult. Sym.
ACS-CP-A	Advanced Control Panel	The Advanced Control Panel includes a full graphic, backlite display capable of displaying three Actual Signal values or bar graphs. The Alpha-Numeric display supports thirteen languages. A Real Time Clock is also included. This panel supports the internal Sequence Programming Function.	150	ES
ACS-CP-C	Basic Control Panel	The Basic Control Panel includes a single line numeric backlit LCD display.	75	ES
OPMP-01	Cabinet Panel Mounting	Control Panel Mounting Platform allows remote mounting of the keypad on a large enclosure or remote panel. The kit maintains UL Type 12 integrity of the mounting location. Adapters, 3 m (10ft) cable and mounting hardware are included in this kit. With this mounting arrangement, the keypad is removable from the panel in a fashion identical to a drive-mounted keypad.	138	ES
ACS/H-CP-EXT	Control Panel Mounting	Control Panel Mounting Kit for ACS355 drives allows remote mounting of the keypad on the door of an enclosure. The kit includes a 10 ft (3 m) CAT 5 patch cable, gasket for NEMA 12, mounting hardware and drilling template.	55	ES
ACS/H-CP-EXT-IP66	NEMA 4X Cabinet Panel Mounting	Allows remote mounting of the ACS-CP-A and ACS-CP-B Operator Panels on a larger NEMA 4X (IP66) enclosure or remote panel. The kit maintains NEMA 4X integrity of the mounting location. All necessary hardware and a mounting template are provided in addition to a 3 m panel cable. When mounted, the operator is not removable from the front of the enclosure. The operator panel must be purchased separately.	63	ES
OCAT-01	Panel Extension Cable	7 foot CAT 5 patch cable allows remote operation of the standard panel or connection of the drive to a Personal Computer using the RJ45/DB9 Adapter which must be purchased separately.	40	ES
MTAC-01	Pulse Encoder Interface	The Pulse Encoder Interface module offers a differential or single ended interface for a digital pulse encoder connection. The module is capable of operating from either an external 15 or 24 VDC signal with a maximum frequency of 200kHz.	125	ES
MPOW-01		The optional auxiliary power module provides auxiliary voltage to the control panel, fieldbus, and I/O.	125	ES
FEPA-01	Fieldbus Adapter Power Module	The optional Auxiliary Power Module allows connecting external 24VDC power source to the FPBA-01 or FCAN-01 fieldbus adapter.	120	ES
MREL-01	Relay Output Extension Module	The Relay Output Extension module (MREL) is an interface for connecting three (3) FORM C relay outputs. The MREL-01 is supported from SW version 2.57C and onwards for the ACS355 and is supported by all SW version of ACS310 & ACS355.	105	ES
MPOT-01	Speed Pot, Start/Stop & FW/Rev Switches	Potentiometer with two switches: Start/Stop and Forward/Reverse. Polarity is selected with DIP switches. No external power source is needed for the potentiometer.	30	ES

ACS355 Option Kits Continued

Catalog Number	Name		List Price	Mult. Sym.
FCAN-01 Kit	CANopen Adapter	CANopen is a higher layer protocol based on the CAN (Control Area Network) serial bus system and the CAL (CAN Application Layer). CANopen assumes that the hardware of the connected device has a CAN transceiver and a CAN controller as specified in ISO 11898. The CANopen Communication Profile, CiA Ds301, includes both cyclic and event driven communication, which makes it possible to reduce the bus load to minimum while still maintaining extremely short reaction times. High communication performance can be achieved at relatively low baud rates, thus reducing EMC problems and cable costs. CANopen device profiles define both direct access to drive parameter and time critical process data communication. The FCAN-01 module fulfills CiA (CAN in Automation) standard DSP 402 (Drives and Motion Control).	325	ES
FDNA-01 Kit	DeviceNet Adapter	The DeviceNet network uses a linear bus topology. Terminating resistors are required on each end of the trunk line. Drop lines as long as 6 meters (20 feet) each are permitted, allowing one or more nodes to be attached. DeviceNet allows branching structures only on drop lines.	260	ES
FENA-01 Kit	Ethernet IP/Modbus TCP Adapter	The FENA-01 module supports both Modbus [®] -TCP and EtherNet/IP [™] network protocols. The Modbus-TCP protocol is simply the Modbus protocol used on top of Ethernet-TCP/IP. Modbus-TCP is an open Industrial Ethernet network which has been specified by the Modbus-IDA User Organization. EtherNet/IP is based on the Common Industrial Protocol (CIP), which is also the framework for both the ControlNet and DeviceNet network protocols. The FENA-01 supports 10/100 Mbps transfer rate with network connections made with CAT 5 wiring and RJ-45 connectors. Both star and bus topology options are supported.	400	ES
FECA-01 Kit	EtherCAT Adapter	The FECA-01 module supports EtherCAT [®] network protocol. EtherCAT [®] is a Real Time Ethernet technology which aims to maximize the use of the full duplex Ethernet bandwidth. It overcomes the overhead normally associated with Ethernet by employing "on the fly" processing hardware. An EtherCAT [®] bus consists of a master system and up to 65535 slave devices, connected together with standard Ethernet cabling. The FECA-01 supports 10/100 Mbps transfer rate with network connections made with CAT 5 wiring and RJ-45 connectors. Designed for daisy chain configuration on an EtherCAT [®] network.	400	ES
FPBA-01 Kit	PROFIBUS-DP Adapter	PROFIBUS is an open serial communication standard that enables data exchange between all kinds of automation components. The physical transmission medium of the bus is a twisted pair cable (according to the RS-485 standard). The maximum length of the bus cable is 100 to 1200 meters, depending on the selected transmission rate. Up to 31 stations can be connected to the same PROFIBUS system without the use of repeaters.	290	ES
FRSA-00	Modbus RTU PCB	Similar to the FMBA-01-KIT except as a bare, coated printed circuit board (PCB) with the RS-485 GND as the same potential as the drive I/O GND.	65	ES
FMBA-01 Kit	Modbus RTU Adapter	Modbus is a serial, asynchronous protocol. The Modbus protocol does not specify the physical interface. Typical physical interfaces are RS-232 and RS-485. The FMBA-01 provides a galvanically isolated RS-485 interface. Modbus is designed for integration with Modicon PLCs or other automation devices, and the services closely correspond to the PLC architecture. The FMBA-01 supports the RTU protocol only..	142	ES
SREA-01-KIT	Ethernet Adapter (Gateway)	SREA-01 is an optional device for web browser based remote interface to the ACS310 and ACS355 drives via ethernet. This din rail mounted adapter enables remote data acquisition through a standard web browser, utilizing an internal web server for drive configuration and access. Multiple drives (up to 10) can be connected to the Modbus-RTU or Modbus-TCP.	1,250	ES
MFDT-01	Flashdrop	FlashDrop is a powerful palm sized tool for fast and easy parameter selecting and setting. It gives the possibility to hide selected parameters to protect the machine. Only the parameters needed in the application are shown. The tool can upload/download parameters, copy parameters between two drives or between a PC and a drive. Includes DrivePM (Drive Parameter Manager) which is a software tool to create, edit and copy parameter sets for FlashDrop. The parameter sets can consist of all parameters or only a set of the user parameters.	600	ES
SEDG-01	Ethernet to DeviceNet Gateway	SEDG-01 (EtherNet/IP to DeviceNet) -- will allow a DriveBrowser user to connect a PC's Ethernet port to drives on a DeviceNet networks.	3,995	ES
SECG-01	EtherNet to ControlNet Gateway	SECG-01 (EtherNet/IP to ControlNet) -- will allow a DriveBrowser user to connect a PC's Ethernet port to drives on a ControlNet networks.	3,995	ES

Definite Purpose Motors

Unit Handling Motors

Brake Motors

200 & 575 Volt Motors

IEC Frame Motors

50 Hertz Motors

Inverter/Vector Motors & Controls

DC Motors and Controls

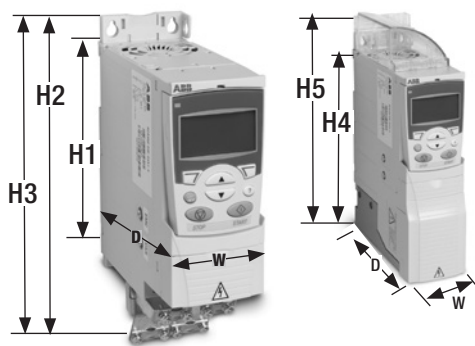
Soft Starters

Gearmotors and Gear Products

ACS355 Option Kits Continued

Catalog Number	Name		List Price	Mult. Sym.
3AFE64532871	DriveWindow Light	DriveWindow Light is software designed for online drive commissioning and maintenance purposes. It is possible to adjust parameters, read the actual values and control the drive with DriveWindow Light instead of the drive control panel. It is also possible to follow trends and draw graphs. An RJ45 to DB9 adapter cable (OPCA-01) is provided to permit connection between the panel port and a PC.	275	ES
3AUA0000041141	DriveBrowser	DriveBrowser software is designed for online drive commissioning and maintenance purposes. DriveBrowser uses a computer's standard Ethernet port to connect to an EtherNet/IP or Modbus-TCP network. It is compatible with the ACS350, ACS355, ACS550, ACH550, DCS800 and ACS800* drives (*ACS800 standard control program). Drives require configuration and connection to an EtherNet/IP or Modbus-TCP network. DriveBrowser supports Microsoft Windows operating systems (Windows NT4, 2000, XP & Vista). <ul style="list-style-type: none"> • Configure network connections • Parameter editing and monitoring • Upload/download drive parameter files, save, print • Compare files • Trending up to four signals • Drive Control for commissioning and test 	385	ES
OPCA-01	RJ45/DB9 Adapter	This adapter converts the drive's panel port RJ45 (CAT 5 cable connector) plug to a 9 pin RS-232 computer serial port connector for connecting the drive to a PC.	50	ES
MUL1-R1 MUL1-R3 MUL1-R4	NEMA 1 Enclosure Kit	This option provides the necessary hardware to modify the ACS310, or ACS355 drive from the standard fingersafe protected chassis to NEMA 1 protection capable of landing conduit. MUL1-R1 kit is used with frame sizes R0 through R2, MUL1-R3 is used with frame size R3, and MUL1-R4 is used with frame size R4.	75 75 100	ES
ACS355-DEMOCASE	ACS355 Demo Case	Powered by 115VAC, the DemoCase includes an ACS355 drive mounted on a panel. Included is a motor and I/O board with switches, pots, meters and LEDs permitting remote operation of the drive and motor.	2,800	ES

ACS355 Dimensions



Frame Size	IP20 (cabinet) / UL Open						NEMA 1 / UL Type 1				
	H1 (in)	H2 (in)	H3 (in)	W (in)	D (in)	Wt. (lb)	H4 (in)	H5 (in)	W (in)	D (in)	Wt. (lb)
R0	6.65	7.95	9.41	2.76	6.34	2.6	10.12	11.02	2.76	6.65	3.5
R1	6.65	7.95	9.41	2.76	6.34	2.6	10.12	11.02	2.76	6.65	3.5
R2	6.65	7.95	9.41	4.13	6.50	3.3	10.12	11.10	4.13	6.65	4.2
R3	6.65	7.95	9.29	6.65	6.65	5.5	10.24	11.77	6.65	6.97	6.8
R4	7.13	7.95	9.61	10.24	6.65	9.7	10.63	12.60	10.24	6.97	11.0

¹ U_N = 200...240V, 1.3 kg / 2.9 lb, U = 380...780V: 1.2 kg / 2.9 lb

² U_N = 200...240V, 1.7 kg / 3.7 lb, U = 380...780V: 1.6 kg / 3.5 lb

H1 = Height without fastenings and clamping plate

H2 = Height with fastenings but without clamping plate

H3 = Height with fastenings and clamping plate

H4 = Height with fastenings and NEMA 1 connection box

H5 = Height with fastenings, NEMA 1 connection box and Hood



NEW!

Inverter/Vector Motors & Controls

**ACS355 IP66,
UL Type 4X
AC Micro Drive**

1/2 thru 5 Hp 230 Vac 3 Phase - 50/60 Hz
1/2 thru 10 Hp 460 Vac 3 Phase - 50/60 Hz



Applications: Variable torque, constant torque or constant horsepower applications. New installations, replacements and original equipment manufactures (OEM).

Features: Volts per Hertz, Open Loop Vector Control with peak overload capacity of 150% and PID capability. The drive is certified by NSF, designed with materials meeting current hygiene standards, means that the drive traps no bacteria and can withstand frequent high pressure washing. The Control Panel is housed within a plastic window is designed to resist moist and dusty environments. Programming by groups makes it easy to navigate and find parameters. A quick start assistant enables users to program and start using the drive in minutes without need for a User Manual. Built-in braking transistor allows connection to remote braking resistor for enhanced performance needs.

Performance Features	Control Modes	V/Hz and Open Loop Vector
	Motor Control	Induction, Permanent Magnet
	Operator Interface Module	Integral Drive Mounted
	Control Panel Display	LCD Graphical Display
	Programmable Preset Speeds	Seven
	Analog Outputs	One (0/4 - 20 mA DC)
	Auto Restart	Yes -- Up to 5 attempts
	Frequency Avoidance	Three Bands
	Fault History	Last Three Faults
	Digital Inputs	Five Configurable Inputs
Drive Specifications	Analog Inputs: Two Total	0-10 VDC, -10 to 10 VDC or 0/4 - 20mA DC
	Digital Outputs: Two Total	One Transistor Output Form C Relay, NO + NC, 250 VAC / 30 VDC
	Analog Outputs	0/4 - 20mA DC
	Safe Torque Off	STO SIL 3
	Overload Capacity	Drive Output 150% for 1 min., 180% for 2 sec. at start
	Speed Control Accuracy	Static: 20% of motor nominal slip
	Input Voltage Ranges:	200 - 240VAC; 380 - 480VAC
	Input Voltage Tolerance	10% / -10%
	Rated Input Frequency	50-60Hz (±5%)
	Carrier Frequency:	4-16 kHz (4 kHz default)
	Operating Temperature:	-10° to 40°C; -10° to 50°C w/ 10% derate
	Dynamic Braking	Built-in Brake Chopper
	Flux Braking:	Standard
	DC Injection Braking:	Standard
	Flux Optimization:	Can improve efficiency up to 10% on light loads
	Volts/Hz	Linear V/Hz
		Square V/Hz
		Custom 4-Point V/Hz Curve
	Open Loop Vector:	Full Open Loop Vector Control with Autotune Function and Motor Model Calculation
	Frequency Control Range:	0-500 Hz
	Accel/Decel:	Two independently adjustable sets of ramps
	Time Range:	0.0 to 1800 Seconds
	S Curve Accel. & Decel.	Yes, with adjustable rounding time
	Control Panel Speed Control	Yes
	Sink/Source Inputs	Selectable, 24 VDC Logic
	Electronic Overload Trip	Electronic Motor Overload Inverse Time calculation
	Communications	Built-in MODBUS-RTU (RS-485) Communications
	PID Control	Two independently controllable

Definite Purpose Motors

Unit Handling Motors

Brake Motors

200 & 575 Volt Motors

IEC Frame Motors

50 Hertz Motors

Inverter/Vector Motors & Controls

DC Motors and Controls

Soft Starters

Gearmotors and Gear Products

NEW!

Protective Features	Under Voltage	Level Depends on Voltage Class (240, 480)
	Ground Fault Protection	Ground Fault protection active during run
	Output Short Circuit	Phase-to-Phase on Drive Output
	Over Temperature	Heatsink Monitor
	Motor Overtemp	Excessive estimated Motor Temperature
	DC Bus Overvoltage	DC Bus Level Trip
	IGBT Overtemp	Drive Output IGBT Temp is too high
	Over Current	Over-current/short-Circuit protection
	Output Phase	Trips on open Output Phase
	Loss of Reference	Trips on Loss of Speed Command Signal
	Comm. Error	Detects a communication error (fault)
	Loss of Control Panel	Drive will trip if under Control Panel control and Control Panel communication is lost
	Motor Model Calc Fail	Drive will trip if Motor Model cannot be determined - Open Loop Vector Control
Agency Certifications	UL, cUL, CE, C-tick, RoHS, TUV, NORD	
Service Conditions	Altitude:	1,000 m (3,300 ft.). Derate by 1% every 100 m (328 ft.) up to 2,000m (6,600 ft.)
	Ambient Temperature:	-10°C (14°F) to 40°C (104°F)
	Relative Humidity:	0% to 95%, non-condensing
	Intermittent Overload:	150% overload capacity for up to 1 minute
		180% overload capacity for up to 2 seconds

ACS355 IP66, UL Type 4X - Ratings & Pricing

ACS355 - 230V, 50/60Hz, 3-Phase IP66, UL Type 4X

Catalog Number	Frame	Hp	Cont. Amps	List Price	Mult. Sym
ACS355-03U-02A4-2+B063	R1	0.5	2.4	750	ER
ACS355-03U-03A5-2+B063	R1	0.75	3.5	849	ER
ACS355-03U-04A7-2+B063	R1	1	4.7	904	ER
ACS355-03U-06A7-2+B063	R1	1.5	6.7	953	ER
ACS355-03U-07A5-2+B063	R1	2	7.5	1,017	ER
ACS355-03U-09A8-2+B063	R3	3	9.8	1,106	ER
ACS355-03U-17A6-2+B063	R3	5	17.6	1,460	ER

ACS355 - 230V, 50/60Hz, 3-Phase IP66, UL Type 4X with Disconnect Switch

Catalog Number	Frame	Hp	Cont. Amps	List Price	Mult. Sym
ACS355-03U-02A4-2+B063+F278	R1	0.5	2.4	990	ER
ACS355-03U-03A5-2+B063+F278	R1	0.75	3.5	1,120	ER
ACS355-03U-04A7-2+B063+F278	R1	1	4.7	1,193	ER
ACS355-03U-06A7-2+B063+F278	R1	1.5	6.7	1,259	ER
ACS355-03U-07A5-2+B063+F278	R1	2	7.5	1,342	ER
ACS355-03U-09A8-2+B063+F278	R3	3	9.8	1,460	ER
ACS355-03U-17A6-2+B063+F278	R3	5	17.6	1,927	ER

Definite Purpose Motors

Unit Handling Motors

Brake Motors

200 & 575 Volt Motors

IEC Frame Motors

50 Hertz Motors

Inverter/Vector Motors & Controls

DC Motors and Controls

Soft Starters

Gearmotors and Gear Products

ACS355 - 460V, 50/60Hz, 3-Phase IP66, UL Type 4X

Catalog Number	Frame	Hp	Cont. Amps	List Price	Mult. Sym
ACS355-03U-01A2-4+B063	R1	0.5	1.2	718	ER
ACS355-03U-01A9-4+B063	R1	0.75	1.9	733	ER
ACS355-03U-02A4-4+B063	R1	1	2.4	786	ER
ACS355-03U-03A3-4+B063	R1	1.5	3.3	837	ER
ACS355-03U-04A1-4+B063	R1	2	4.1	900	ER
ACS355-03U-05A6-4+B063	R1	3	5.6	975	ER
ACS355-03U-08A8-4+B063	R1	5	8.8	1,180	ER
ACS355-03U-12A5-4+B063	R3	7.5	12.5	1,479	ER
ACS355-03U-15A6-4+B063	R3	10	15.6	1,802	ER

ACS355 - 460V, 50/60Hz, 3-Phase IP66, UL Type 4X with Disconnect Switch

Catalog Number	Frame	Hp	Cont. Amps	List Price	Mult. Sym
ACS355-03U-01A2-4+B063+F278	R1	0.5	1.2	898	ER
ACS355-03U-01A9-4+B063+F278	R1	0.75	1.9	916	ER
ACS355-03U-02A4-4+B063+F278	R1	1	2.4	982	ER
ACS355-03U-03A3-4+B063+F278	R1	1.5	3.3	1,047	ER
ACS355-03U-04A1-4+B063+F278	R1	2	4.1	1,125	ER
ACS355-03U-05A6-4+B063+F278	R1	3	5.6	1,219	ER
ACS355-03U-08A8-4+B063+F278	R1	5	8.8	1,475	ER
ACS355-03U-12A5-4+B063+F278	R3	7.5	12.5	1,849	ER
ACS355-03U-15A6-4+B063+F278	R3	10	15.6	2,253	ER

ACS355 IP66, UL Type 4X Option Kits

Catalog Number	Name		List Price	Mult. Sym.
ACS-CP-A	Advanced Control Panel	The Advanced Control Panel includes a full graphic, backlite display capable of displaying three Actual Signal values or bar graphs. The Alpha-Numeric display supports thirteen languages. A Real Time Clock is also included. This panel supports the internal Sequence Programming Function. STANDARD With ACS355 IP66, UL Type 4X.	150	ES
OPMP-01	Cabinet Panel Mounting	Control Panel Mounting Platform allows remote mounting of the keypad on a large enclosure or remote panel. The kit maintains UL Type 12 integrity of the mounting location. Adapters, 3 m (10ft) cable and mounting hardware are included in this kit. With this mounting arrangement, the keypad is removable from the panel in a fashion identical to a drive-mounted keypad.	138	ES
ACS/H-CP-EXT	Control Panel Mounting	Control Panel Mounting Kit for ACS355 drives allows remote mounting of the keypad on the door of an enclosure. The kit includes a 10 ft (3 m) CAT 5 patch cable, gasket for NEMA 12, mounting hardware and drilling template.	55	ES
ACS/H-CP-EXT-IP66	NEMA 4X Cabinet Panel Mounting	Allows remote mounting of the ACS-CP-A Operator Panels on a larger NEMA 4X (IP66) enclosure or remote panel. The kit maintains NEMA 4X integrity of the mounting location. All necessary hardware and a mounting template are provided in addition to a 3 m panel cable. When mounted, the operator is not removable from the front of the enclosure. The operator panel must be purchased separately.	63	ES
OCAT-01	Panel Extension Cable	7 foot CAT 5 patch cable allows remote operation of the standard panel or connection of the drive to a Personal Computer using the RJ45/DB9 Adapter which must be purchased separately.	40	ES

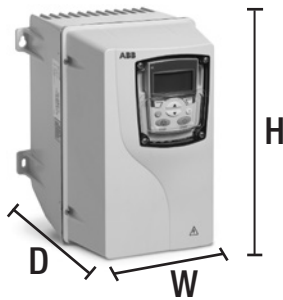
ACS355 IP66, UL Tupe 4X Option Kits Continued

Catalog Number	Name		List Price	Mult. Sym.
FEPA-01	Fieldbus Adapter Power Module	The optional Auxiliary Power Module allows connecting external 24VDC power source to the FPBA-01 or FCAN-01 fieldbus adapter.	120	ES
FCAN-01 Kit	CANopen Adapter	CANopen is a higher layer protocol based on the CAN (Control Area Network) serial bus system and the CAL (CAN Application Layer). CANopen assumes that the hardware of the connected device has a CAN transceiver and a CAN controller as specified in ISO 11898. The CANopen Communication Profile, CiA Ds301, includes both cyclic and event driven communication, which makes it possible to reduce the bus load to minimum while still maintaining extremely short reaction times. High communication performance can be achieved at relatively low baud rates, thus reducing EMC problems and cable costs. CANopen device profiles define both direct access to drive parameter and time critical process data communication. The FCAN-01 module fulfills CiA (CAN in Automation) standard DSP 402 (Drives and Motion Control)	325	ES
FDNA-01 Kit	DeviceNet Adapter	The DeviceNet network uses a linear bus topology. Terminating resistors are required on each end of the trunk line. Drop lines as long as 6 meters (20 feet) each are permitted, allowing one or more nodes to be attached. DeviceNet allows branching structures only on drop lines.	260	ES
FENA-01 Kit	Ethernet IP/Modbus TCP Adapter	The FENA-01 module supports both Modbus [®] -TCP and EtherNet/IP [™] network protocols. The Modbus-TCP protocol is simply the Modbus protocol used on top of Ethernet-TCP/IP. Modbus-TCP is an open Industrial Ethernet network which has been specified by the Modbus-IDA User Organization. EtherNet/IP is based on the Common Industrial Protocol (CIP), which is also the framework for both the ControlNet and DeviceNet network protocols. The FENA-01 supports 10/100 Mbps transfer rate with network connections made with CAT 5 wiring and RJ-45 connectors. Both star and bus topology options are supported.	400	ES
FECA-01 Kit	EtherCAT Adapter	The FECA-01 module supports EtherCAT [®] network protocol. EtherCAT [®] is a Real Time Ethernet technology which aims to maximize the use of the full duplex Ethernet bandwidth. It overcomes the overhead normally associated with Ethernet by employing "on the fly" processing hardware. An EtherCAT [®] bus consists of a master system and up to 65535 slave devices, connected together with standard Ethernet cabling. The FECA-01 supports 10/100 Mbps transfer rate with network connections made with CAT 5 wiring and RJ-45 connectors. Designed for daisy chain configuration on an EtherCAT [®] network.	400	ES
FPBA-01 Kit	PROFIBUS-DP Adapter	PROFIBUS is an open serial communication standard that enables data exchange between all kinds of automation components. The physical transmission medium of the bus is a twisted pair cable (according to the RS-485 standard). The maximum length of the bus cable is 100 to 1200 meters, depending on the selected transmission rate. Up to 31 stations can be connected to the same PROFIBUS system without the use of repeaters.	290	ES
FRSA-00	Modbus RTU PCB	Similar to the FMBA-01-KIT except as a bare, coated printed circuit board (PCB) with the RS-485 GND as the same potential as the drive I/O GND.	65	ES
FMBA-01 Kit	Modbus RTU Adapter	Modbus is a serial, asynchronous protocol. The Modbus protocol does not specify the physical interface. Typical physical interfaces are RS-232 and RS-485. The FMBA-01 provides a galvanically isolated RS-485 interface. Modbus is designed for integration with Modicon PLCs or other automation devices, and the services closely correspond to the PLC architecture. The FMBA-01 supports the RTU protocol only.	142	ES
SREA-01-KIT	Ethernet Adapter (Gateway)	SREA-01 is an optional device for web browser based remote interface to the ACS310 and ACS355 drives via ethernet. This din rail mounted adapter enables remote data acquisition through a standard web browser, utilizing an internal web server for drive configuration and access. Multiple drives (up to 10) can be connected to the Modbus-RTU or Modbus-TCP.	1,250	ES
MFDT-01	Flashdrop	FlashDrop is a powerful palm sized tool for fast and easy parameter selecting and setting. It gives the possibility to hide selected parameters to protect the machine. Only the parameters needed in the application are shown. The tool can upload/download parameters, copy parameters between two drives or between a PC and a drive. Includes DrivePM (Drive Parameter Manager) which is a software tool to create, edit and copy parameter sets for FlashDrop. The parameter sets can consist of all parameters or only a set of the user parameters.	600	ES
SEDG-01	Ethernet to DeviceNet Gateway	SEDG-01 (EtherNet/IP to DeviceNet) -- will allow a DriveBrowser user to connect a PC's Ethernet port to drives on a DeviceNet networks.	3,995	ES
SECG-01	EtherNet to ControlNet Gateway	SECG-01 (EtherNet/IP to ControlNet) -- will allow a DriveBrowser user to connect a PC's Ethernet port to drives on a ControlNet networks.	3,995	ES

ACS355 IP66, UL Type 4X Option Kits Continued

Catalog Number	Name		List Price	Mult. Sym.
3AFE64532871	DriveWindow Light	DriveWindow Light is software designed for online drive commissioning and maintenance purposes. It is possible to adjust parameters, read the actual values and control the drive with DriveWindow Light instead of the drive control panel. It is also possible to follow trends and draw graphs. An RJ45 to DB9 adapter cable (OPCA-01) is provided to permit connection between the panel port and a PC.	275	ES
3AUA0000041141	DriveBrowser	DriveBrowser software is designed for online drive commissioning and maintenance purposes. DriveBrowser uses a computer's standard Ethernet port to connect to an EtherNet/IP or Modbus-TCP network. It is compatible with the ACS350, ACS355, ACS550, ACH550, DCS800 and ACS800* drives (*ACS800 standard control program). Drives require configuration and connection to an EtherNet/IP or Modbus-TCP network. DriveBrowser supports Microsoft Windows operating systems (Windows NT4, 2000, XP & Vista). <ul style="list-style-type: none"> • Configure network connections • Parameter editing and monitoring • Upload/download drive parameter files, save, print • Compare files • Trending up to four signals • Drive Control for commissioning and test 	385	ES
OPCA-01	RJ45/DB9 Adapter	This adapter converts the drive's panel port RJ45 (CAT 5 cable connector) plug to a 9 pin RS-232 computer serial port connector for connecting the drive to a PC.	50	ES

ACS355 UL Type 4X (IP66) Dimensions



Frame Size	H (in)	W (in)	D (in)	Weight (lb)
R1	12.01	7.68	11.06	16.98
R3	17.17	9.69	10.91	28.66

Definite Purpose Motors

Unit Handling Motors

Brake Motors

200 & 575 Volt Motors

IEC Frame Motors

50 Hertz Motors

Inverter/Vector Motors & Controls

DC Motors and Controls

Soft Starters

Gearmotors and Gear Products

Series 5 Micro Inverters



1/2 thru 2 Hp
1/2 thru 2 Hp
2 thru 3 Hp
1 thru 5 Hp

97-132 VAC
195-265 VAC
195-265 VAC
323-529 VAC

1 Phase - 50/60 Hz
1 Phase - 50/60 Hz
3 Phase - 50/60 Hz
3 Phase - 50/60 Hz

Applications: Variable torque, constant torque or constant horsepower applications. New installations, replacements and original equipment manufacturers (OEM).

Features: NEMA 4X or open chassis mount standard. Output frequency 0.25 to 120 Hz with peak overload capacity of 150%. Separate accel/decel rates and controlled reversing.

Design Specifications

- PWM output
- Accel/decel rate adjustment
- Controlled reversing
- Adjustable current limit
- I²t motor overload protection
- Adjustable slip compensation
- Min/max output frequency adjustment
- Selectable auto/manual restart

Operator Interface- Enclosed Units

- Start/Stop command
- NEMA 4X enclosure
- Power on/off
- Rotary speed control
- Fwd/Rev optional
- Auto/Manual optional

Environmental and Operating Conditions

- Input voltage:
 - 1 phase 115 VAC ±15%,
 - 1 phase 230 VAC ±15%
 - 3 phase 230V ±15%
 - 3 phase 460 ± 15%
- Input frequency
50 or 60Hz ±10%
- Service factor - 1.0
- Duty - continuous
- Humidity - 90% max RH non-condensing
- Altitude - 3300 feet max without derate
- Chassis mount or NEMA 4X enclosure as standard

Protective Features

- Selectable automatic restart at momentary power loss
- Power indicator
- Status indicator
- Adjustable time base overload
- Electronic in rush current limiting

Output Ratings	Overload Capacity	150% for 120 seconds		
	Voltage - 3 Phase	0-230 VAC (RMS), 0-460 V AC (RMS)		
Control Spec	Control Method	Sinewave carrier input, PWM output		
	PWM Frequency	Rated 8.0 kHz		
	V/Hz Ratio	Factory set for optimum output		
	Torque Boost	Factory set for 60 Hz motors. Adjustable 6-30% for 50 Hz motors	Adjustable 0-30% max	
	Current Limit	Adjustable 63 to 188% of rated output	0-200%	
	Frequency Setting	0-5 VDC, 0-10 VDC with external resistor network, non-isolated input		
	Accel/Decel	Separate accel/decel rates, 0.3-20 sec for 60 Hz motors	0.3-20 Sec	
	Combined accel/decel for 50 Hz motors			
Protective Functions	Inverter Trip	Over voltage, over current, under voltage, motor overload, output short circuit		
	Status Indicators	Tricolor LED indicator for status and green LED indicator for power on		
	Short Circuit	Output phase to phase		
Ambient Conditions	Temperature	0-45°C	0-50°C	
	Cooling	Convection 1/2 - 2 Hp; Forced Air 3-5 Hp	Convection	
	Enclosure	Open chassis	NEMA 4X (IP65)	

Series 5 Micro Inverters continued...

Hp/kW	Input Voltage	Output Current		Catalog Number	List Price	Mult. Sym.	Ap'x. Shpg. Wgt.	Dimensions (in)				
		Cont.	120 Sec.					Outside			Mounting	
								H	W	D	H	W
Open Chassis Mount – Single Phase Input												
0.5/0.37	115/230	2.4	3.6	ID56F50-CO	395	E9	4	4.3	3.9	2.75	3.8	2.5
1/0.75	115/230	4	6	ID5601-CO	478	E9	5	4.3	3.9	5	3.87	3.7
1.5/1.13 - 2/1.5 ⁽²⁾	115/230	5.5	8.25	ID5602-CO	621	E9	6	4.67	5.58	5.7	3.87	2.5
Open Chassis Mount – Three Phase Input												
2/1.5	230	6.7	10.1	ID5202-CO	753	E9	5	8.55	4.68	4.5	6.5	3.9
3/2.25	230	8.8	13.2	ID5203-CO	793	E9	5	8.55	4.68	4.5	6.5	3.9
1/0.75	460	2.5	3.75	ID5401-CO	820	E9	5	8.55	4.68	4.5	6.5	3.9
2/1.5	460	4	6	ID5402-CO	842	E9	5	8.55	4.68	4.5	6.5	3.9
3/2.25	460	4.5	6.75	ID5403-CO	866	E9	5	8.55	4.68	4.5	6.5	3.9
5/3.7	460	7.6	11.4	ID5405-CO	1,104	E9	5	8.55	4.68	4.5	6.5	3.9
NEMA 1 Enclosed - Single Phase Input												
1/0.75	115/230	4	6	ID5601-EO	576	E9	6	7.13	6.25	2.75		
NEMA 4X Enclosed – Single Phase Input												
1/0.75	115/230	3.6	5.4	ID5601-WO	763	E9	6	9.53	5.51	5.86	8.85	–
1/0.75	115/230	3.6	5.4	ID5601-BO	715	E9	6	9.53	5.51	5.86	8.85	–
1.5/1.13 - 2/1.5 ⁽²⁾	115/230	5.5/6.7	8.3/10.0	ID5602-WO	1,076	E9	6	9.8	7.55	7.25	9.25	1
1.5/1.13 - 2/1.5 ⁽²⁾	115/230	5.5/6.7	8.3/10.0	ID5602-BO	1,015	E9	8	9.8	7.55	7.25	9.25	1
NEMA 4X Enclosed – Three Phase Input												
3/2.25	230	9	13.5	ID5203-WO	1,219	E9	6	9.8	7.55	7.25	9.25	1
3/2.25	230	9	13.5	ID5203-BO	1,159	E9	6	9.8	7.55	7.25	9.25	1
3/2.25 ⁽¹⁾	460	4.6	6.9	ID5403-WO	1,291	E9	6	9.8	7.55	7.25	9.25	1
3/2.25 ⁽¹⁾	460	4.6	6.9	ID5403-BO	1,230	E9	6	9.8	7.55	7.25	9.25	1
5/3.7	460	8.3	12.45	ID5405-WO	1,373	E9	6	9.8	7.55	7.25	9.25	1
5/3.7	460	8.3	12.45	ID5405-BO	1,315	E9	6	9.8	7.55	7.25	9.25	1

(1) Jumper configurable for 1 HP and 2 HP
 (2) ID5602 is rated 1.5 Hp max with 115 VAC input and 2 Hp max with 230 VAC input.
NOTE: -WO is white in color -BO is black in color; -EO is NEMA 1.

Series 5 Options

Catalog Number	Description	List Price	Mult. Sym.	Ap'x. Shpg. Wgt.
ID5RGA-1	Dynamic braking kit for open chassis 115/230V 1/2 Hp and 1 Hp rated controls	214	E9	3
ID5SI-1	Signal isolator for open chassis units Provides isolation for up to 24 VDC and 4-20mA command signals and run relay output. Select relay as N.O. or N.C. contacts rated at 125 VAC @ 0.5A	213	E9	4
ID5SI-2	Signal isolator for NEMA 4X enclosed units Provides isolation for up to 24 VDC and 4-20mA command signals.	240	E9	1
ID5AMS-1	Auto/Manual selection switch for NEMA 4X enclosed units Allows selection of remote or on-board speed commands	59	E9	1
ID5FRS-1	Forward/Stop/Reverse selection switch for NEMA 4X enclosed units Allows selection of forward or reverse motor direction commands	33	E9	1
ID5FRS-2	Forward/Stop/Reverse selection switch for NEMA 1 enclosed units. Allows selection of forward or reverse motor direction commands.	33	E9	1

Definite Purpose Motors

Unit Handling Motors

Brake Motors

200 & 575 Volt Motors

IEC Frame Motors

50 Hertz Motors

Inverter/Vector Motors & Controls

DC Motors and Controls

Soft Starters

Gearmotors and Gear Products

Subfractional Permanent Magnet DC Motor, TENV, Rigid Base

1/50 thru 1/4 Hp

Applications: General purpose including conveyors, material handling equipment and packaging machinery.

Features: High quality ball bearing motors with precision machined die cast aluminum or steel housings. Dynamically balanced for smooth, vibration-free operation.



Input Motor Hp	Output Base Speed	Voltage Direct Current Armature	Full Load Amperage Armature	Catalog Number	List Price	Mult. Sym.	Gear Style	Ap'x. Shpg. Wgt.	Notes (a)
1/50	1800	90	0.3	AP231001	294	DS	2308P	4	20,60
1/25	1725	90	0.5	AP232001	322	DS	2314P	5	20,60
1/15	1800	90	0.8	AP233001	346	DS	2318P	5	20,60
		180	0.4	AP233021	346	DS	2318P	5	20,60
1/8	1725	90	1.3	AP7401	484	DS	2424P	12	20,60
		180	0.7	AP7421	484	DS	2424P	12	20,60
1/4	3450	90	2.5	AP7402	484	DS	2424P	12	20,60
		180	1.3	AP7422	484	DS	2424P	12	20,60

NOTE: Supplied with type SJO, three foot 18/3 AWG grounded cord. (a) See notes on inside back flap.

SCR Drive Fractional Permanent Magnet Motor, TENV and TEFC, C-Face with Base

1/4 thru 5 Hp

NEMA 56C thru 1810ATC

Applications: Conveyors, mixers, packaging machinery.

Features: NEMA C-face with removable base. Tach adaptable. Class F insulation, double sealed ball bearings. 20:1 constant torque speed range. UL and CSA recognized. 1/4 - 1/2 Hp motors are TENV, all others are TEFC. No dual mounting base holes on 1/4 - 1/2 Hp.



Hp	Base Speed	NEMA Frame	Voltage D.C.	Full Load Amperage	Enclosure	Catalog Number	List Price	Mult. Sym.	Ap'x. Shpg. Wgt.	Notes (a)	Reliance M/N
			Arm.	Arm.							
1/4	1750	56C	90	2.5	TENV	CDP3310	695	K	24	20,60	T56S1001
			180	1.25	TENV	CDP3306	695	K	23	20,60	
1/3	1750	56C	90	3.2	TENV	CDP3320	733	K	27	20,60	T56S1003
			180	1.6	TENV	CDP3316	733	K	27	20,60	
1/2	1750	56C	90	4.8	TENV	CDP3330	820	K	32	20,60	T56S1005
			180	2.5	TENV	CDP3326	820	K	31	20,60	T56S1027
	2500	56C	90	5	TENV	CDP3335	733	K	26	20,60	T56S1006
3/4	1750	56C	90	7.6	TEFC	CDP3440	996	K	38	20	T56S1009
			180	3.7	TEFC	CDP3436	996	K	38	20	T56S1029
	2500	56C	90	7.5	TEFC	CDP3443	881	K	36	20	
1	1750	56C	90	10	TEFC	CDP3445	1,211	K	44	20	T56S1011
			180	5	TEFC	CDP3455	1,211	K	44	20	T56S1013
	2500	56C	90	9.7	TEFC	CDP3450	996	K	38	20	
			180	4.85	TEFC	CDP3460	996	K	38	20	T56S1012
1 1/2	1750	145TC	180	7.7	TEFC	CDP3575	2,231	L1	65	20	
	2500	145TC	180	7	TEFC	CDP3580	1,941	L1	53	20	
2	1750	145TC	180	9.6	TEFC	CDP3585	2,662	L1	74	20	
	2500	145TC	180	10	TEFC	CDP3590	2,231	L1	66	8	
3	1750	182TC	180	14	TEFC	CDP3603	3,278	L1	112	20	
		182C	180	14	TEFC	CDP3604	3,260	L1	112	20	
5	1750	1810ATC	180	21.6	TEFC	CDP3605	5,564	L1	161	20	

NOTE: See Tach Generators on page 256 and Mounting Kits on page 257. (a) See notes on inside back flap.

Definite Purpose Motors

Unit Handling Motors

Brake Motors

200 & 575 Volt Motors

IEC Frame Motors

50 Hertz Motors

Inverter/Vector Motors & Controls

DC Motors and Controls

Soft Starters

Gearmotors and Gear Products

**Integral DC Tach
Permanent Magnet SCR
Drive Motor -
TENV and TEFC,
C-Face with Base**



1/4 thru 5 Hp

NEMA 56C thru 1810ATC

Applications: Conveyors and metering pumps (precise speed regulation).

Features: Provides an integral 50 VDC per 1000 RPM precision tachometer for closed loop drive system. Class F insulation. 20:1 constant torque speed range with NEMA Type K control. 1/4 - 1/2 motors are TENV, all others are TEFC.

Hp	Base Speed	NEMA Frame	Voltage D.C.	Full Load Amperage	Enclosure	Catalog Number	List Price	Mult. Sym.	Ap'x. Shpg. Wgt.	Notes (a)
			Arm.	Arm.						
1/4	1750	56C	90	2.5	TENV	CDPT3310	1,984	K	27	20,60
			180	1.25	TENV	CDPT3306	1,984	K	27	20,60
1/3	1750	56C	90	3.2	TENV	CDPT3320	2,024	K	30	20,60
			180	1.6	TENV	CDPT3316	2,024	K	30	20,60
1/2	1750	56C	90	4.8	TENV	CDPT3330	2,151	K	35	20,60
			180	2.5	TENV	CDPT3326	2,151	K	36	20,60
3/4	1750	56C	90	7.6	TEFC	CDPT3440	2,275	K	44	20
			180	3.7	TEFC	CDPT3436	2,275	K	45	20
1	1750	56C	90	10	TEFC	CDPT3445	2,538	K	50	20
			180	5	TEFC	CDPT3455	2,538	K	50	20
1 1/2	1750	143TC	180	7.7	TEFC	CDPT3575	3,523	L1	71	20
2	1750	143TC	180	9.6	TEFC	CDPT3585	3,953	L1	79	20
3	1750	182ATC	180	14	TEFC	CDPT3603	4,598	L1	122	20
5	1750	1810ATC	180	24.5	TEFC	CDPT3605	6,878	L1	164	20

(a) See notes on inside back flap.

**Explosion Proof
Permanent Magnet SCR
Drive Motor - TEFC,
C-Face with Base**



1/4 thru 1 1/2 Hp

NEMA 56C thru 145TC

Applications: Conveyors, feeders, and pumps (adjustable speed and constant torque for hazardous locations).

Features: NEMA C-Face with welded on base. 20:1 constant torque speed range. UL and CSA. Division 1, Class I, Group D; Class II, Group F & G, T3C. Thermostat and explosion proof conduit box included. Not tach adaptable.

Hp	Base Speed	NEMA Frame	Voltage D.C.	Full Load Amperage	Catalog Number	XP Cls/Grp	Temp Code	List Price	Mult. Sym.	Ap'x. Shpg. Wgt.	Notes (a)
			Arm.	Arm.							
1/4	1750	56C	90	2.7	CDPX3410	②	T3C	1,907	K	38	20
			180	1.3	CDPX3406	②	T3C	1,907	K	38	20
1/3	1750	56C	90	3.6	CDPX3420	②	T3C	2,396	K	43	20
			180	1.7	CDPX3416	②	T3C	2,396	K	44	20
1/2	1750	56C	90	5.2	CDPX3430	②	T3C	2,705	K	46	20
			180	2.5	CDPX3426	②	T3C	2,705	K	46	20
3/4	1750	56C	90	7	CDPX3440	②	T3C	3,344	K	51	20
			180	3.5	CDPX3436	②	T3C	3,344	K	51	20
1	1750	56C	90	9.6	CDPX3545	②	T3C	4,454	K	73	20
			180	4.9	CDPX3555	②	T3C	4,454	K	71	20
1 1/2	1750	145TC	180	7.1	CDPX3575	②	T3C	4,761	L1	81	20

② Class I, Group D; Class II, Group F&G

CAUTION: Explosion-proof motors have a tight fit between mating parts to ensure the integrity of the explosion-proof enclosure. This can lead to an accumulation of moisture inside the motors due to condensation. Care should be used when selecting an explosion-proof motor, especially when installed outdoors and on intermittent duty.

Define Purpose
Motors

Unit Handling
Motors

Brake Motors

200 & 575 Volt
Motors

IEC Frame
Motors

50 Hertz
Motors

Inverter/Vector
Motors & Controls

DC Motors
and Controls

Soft Starters

Gearmotors and
Gear Products

Washdown Duty Permanent Magnet SCR Drive Motor - TENV and TEFC, C-Face with Base

1/4 thru 5 Hp

NEMA 56C thru 1810ATC

Applications: Food processing conveyors and feeders exposed to high pressure wash down.

Features: Moisture sealant on bolt heads between frame and endplates, neoprene gasketed conduit box. Double sealed ball bearings. Forsheda® running contact v-ring slinger. Stainless steel shaft. Electrostatic epoxy paint coating. Class F insulation. 20:1 constant torque speed range. Tach adaptable. 3300P motors are TENV, all others are TEFC.



Hp	Base Speed	NEMA Frame	Voltage D.C.		Enclosure	Catalog Number	List Price	Mult. Sym.	Ap'x. Shpg. Wgt.	Notes (a)
			Arm.	Arm.						
1/4	1750	56C	90	2.5	TENV	CDPWD3310	900	K	25	20,60
			180	1.25	TENV	CDPWD3306	900	K	24	20,60
1/3	1750	56C	90	3.2	TENV	CDPWD3320	950	K	27	20,60
			180	1.6	TENV	CDPWD3316	950	K	27	20,60
1/2	1750	56C	90	4.8	TENV	CDPWD3330	1,068	K	32	20,60
			180	2.5	TENV	CDPWD3326	1,068	K	32	20,60
3/4	1750	56C	90	7.6	TEFC	CDPWD3440	1,289	K	38	20
			180	3.7	TEFC	CDPWD3436	1,289	K	38	20
1	1750	56C	90	10	TEFC	CDPWD3445	1,572	K	44	20
			180	5	TEFC	CDPWD3455	1,572	K	44	20
1 1/2	1750	145TC	180	7.7	TEFC	CDPWD3575	3,008	L1	66	20
2	1750	145TC	180	9.6	TEFC	CDPWD3585	3,590	L1	75	20
3	1750	182TC	180	14	TEFC	CDPWD3603	4,595	L1	116	20
5	1750	1810ATC	180	24.5	TEFC	CDPWD3605	7,783	L1	157	20

NOTE: See Tach Generators on page 256. Mounting kits on page 257.

(a) See notes on inside back flap.

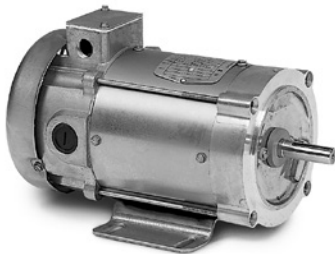
Paint Free Washdown Duty Permanent Magnet SCR Drive Motor, TEFC, C-Face with Base

1/4 thru 1 Hp

NEMA 56C

Applications: Food processing, packaging exposed to high pressure washdown with caustic solutions.

Features: Class F insulation; 20:1 constant torque speed range. Moisture resistant 200°C magnet wire. Sealed ball bearings with moisture resistant grease. Contact lip seals on shaft extensions. Neoprene gaskets. Special processed endplates. 300 series stainless steel motor frame, base, shaft and hardware. No exterior paint. Not tach adaptable.



Hp	Base Speed	NEMA Frame	Voltage D.C.		Catalog Number	List Price	Mult. Sym.	Ap'x. Shpg. Wgt.	Notes (a)
			Arm.	Arm.					
1/4	1750	56C	90	2.7	CDPSWD3410	1,077	K	29	20
			180	1.3	CDPSWD3406	1,077	K	28	20
1/2	1750	56C	90	5.2	CDPSWD3430	1,276	K	37	20
			180	2.5	CDPSWD3426	1,276	K	38	20
1	1750	56C	90	9.6	CDPSWD3545	1,886	K	63	20
			180	4.9	CDPSWD3555	1,886	K	63	20

(a) See notes on inside back flap.

Definite Purpose Motors

Unit Handling Motors

Brake Motors

200 & 575 Volt Motors

IEC Frame Motors

50 Hertz Motors

Inverter/Vector Motors & Controls

DC Motors and Controls

Soft Starters

Gearmotors and Gear Products

**Metric Flange
Permanent Magnet
SCR Drive Motor, TENV
and TEFC, Flange and
Face Mount**



**0.15 thru 5 kW
0.2 thru 3.7 Hp**

IEC D63 thru D112D

Applications: Metric SCR Drive Motor replacement.

Features: Metric Flange or C-Face per IEC 60072-1 Standards. Bolt on non-metric base. Class F insulation. Tach adaptable except type .15kW 20:1 constant torque speed range. Conforms to IEC 60034-1.

kW/Hp	Base Speed	NEMA Frame	Voltage D.C.	Full Load Amperage	Enclosure	Catalog Number	List Price	Mult. Sym.	Ap'x. Shpg. Wgt.	Notes (a)
			Arm.	Arm.						
B5 Flange										
.15/.20	1800	D63D	180	1.1	TENV	VP7424D	485	DS	10	60
.18/.25	1750	D71D	180	1.25	TENV	VP3311D	695	K	23	20,60
.25/.33	1750	D71D	180	1.6	TENV	VP3316D	733	K	27	20,60
.37/.5	1750	D71D	180	2.5	TENV	VP3326D	820	K	31	20,60
	3000	D71D	180	2.5	TEFC	VP3428D	850	K	33	20
.57/.75	1750	D80D	180	3.7	TEFC	VP3436D	996	K	40	20
	3000	D80D	180	3.6	TEFC	VP3439D	881	K	37	20
.75/1	1750	D80D	180	5	TEFC	VP3455D	1,211	K	46	20
	3000	D80D	180	5.1	TEFC	VP3458D	996	K	41	20
1.1/1.5	3000	D90D	180	7.7	TEFC	VP3468D	1,110	L1	47	20
	1750	D90D	180	7.7	TEFC	VP3575D	2,244	L1	71	20
1.5/2	1750	D90D	180	9.6	TEFC	VP3585D	2,677	L1	78	20
	3000	D90D	180	10	TEFC	VP3588D	2,244	L1	69	20
2.2/3	1750	D112D	180	14	TEFC	VP3603D	3,294	L1	121	20
3.7/5	1750	D112D	180	24.5	TEFC	VP3605D	5,592	L1	166	20
B14 Face										
.15/.20	1800	D63D	180	1.1	TENV	VP7424-14	485	DS	10	60
.18/.25	1750	D71C	180	1.4	TEFC	VP3411-14	781	K	30	20
.25/.33	1750	D71C	180	1.7	TEFC	VP3416-14	832	K	31	20
1.37/.50	3000	D71C	180	2.5	TEFC	VP3428-14	850	K	31	20
	1750	D71C	180	2.5	TEFC	VP3426-14	881	K	37	20
.56/.75	3000	D80C	180	3.6	TEFC	VP3439-14	881	K	35	20
	1750	D80C	180	3.7	TEFC	VP3436-14	996	K	40	20
.75/1	3000	D80C	180	5.1	TEFC	VP3458-14	996	K	38	20
	1750	D80C	180	5	TEFC	VP3455-14	1,211	K	45	20
1.1/1.5	3000	D80C	180	7.7	TEFC	VP3468-14	1,110	L1	43	20
	1750	D90C	180	7.7	TEFC	VP3575-14	2,244	L1	73	20
1.5/2	3000	D90C	180	10.0	TEFC	VP3588-14	2,244	L1	70	20
	1750	D90C	180	9.6	TEFC	VP3585-14	2,677	L1	80	20

NOTE: Above motors D71 and larger with B5 flange, fitted with oil seal. Catalog numbers VP7424D and VP7424-14 are not tach adaptable. Tach Generators are shown on page 256. Tach Mounting Kits are shown on page 257.
(a) See notes on inside back flap.

Definite Purpose Motors

Unit Handling Motors

Brake Motors

200 & 575 Volt Motors

IEC Frame Motors

50 Hertz Motors

Inverter/Vector Motors & Controls

DC Motors and Controls

Soft Starters

Gearmotors and Gear Products

Low Voltage Permanent Magnet Motor - TENV and TEFC

1/4 thru 1 Hp

NEMA 56C

Applications: Battery operation for portable pumps, fans, augers, winches and lifts.

Features: NEMA C-face, Class F insulation, double sealed ball bearings. Top-mounted terminal studs for power connection on ratings 40-amps and up. Not tach adaptable. 1/4 - 1/2 Hp are TENV, 3/4 - 1 Hp are TEFC.



Hp	Base Speed	NEMA Frame	Voltage D.C.	Full Load Amperage	Catalog Number	List Price	Mult. Sym.	Ap'x. Shpg. Wgt.	Notes (a)
1/4	1800	56C	12	22.5	CDP3410-V12	747	K	23	20,60
			24	10.6	CDP3410-V24	708	K	23	20,60
1/3	1800	56C	12	28.6	CDP3420-V12	820	K	31	20,60
			24	13.6	CDP3420-V24	782	K	31	20,60
1/2	1800	56C	12	40	CDP3430-V12	850	K	37	20,60
			24	19.6	CDP3430-V24	810	K	35	20,60
3/4	1800	56C	12	66	CDP3440-V12	1,220	K	42	20
		56C	24	29.4	CDP3440-V24	845	K	41	20
1	1800	56C	12	85.6	CDP3445-V12	1,765	K	45	20
			24	40.9	CDP3445-V24	1,757	K	46	20

(a) See notes on inside back flap.

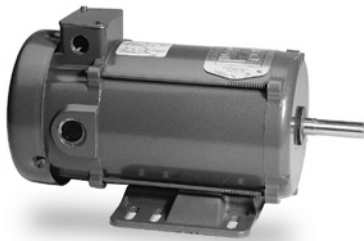
DC Power Motor - TEFC, Rigid Base

1/3 thru 1 1/2 Hp

NEMA 56 and 184

Applications: Cranes, hoists, conveyors, augers and marine duty DC applications. Powered from generators or batteries.

Features: 20% Compound Wound. Weather proof, VPI insulation meets IEEE 45 specifications. Suitable for mounting in any position. Continuous duty. Easy access brushes. Not tach adaptable.



Hp	Speed	NEMA Frame	Rated Current	Catalog Number	List Price	Mult. Sym.	Ap'x. Shpg. Wgt.	Notes (a)
115 VDC								
1/3	1750	56	3.2	D1151	1,658	K	23	20
1/2	1750	56	4.8	D1152	1,755	K	29	20
3/4	1750	56	6.6	D1153	2,005	K	34	20
1	1750	56	8	D1154	2,305	K	62	20
230 VDC								
1/3	1750	56	1.7	D2301	1,658	K	41	20
1/2	1750	56	2.1	D2302	1,755	K	29	20
3/4	1750	56	3.3	D2303	2,005	K	34	20
1	1750	56	4	D2304	2,305	K	62	20
1 1/2	1750	184	6.1	D2305	3,921	L1	84	20

NOTE: Not for SCR control applications. Base welded on 3513D type only. Not tach adaptable.

(a) See notes on inside back flap.

Definite Purpose Motors

Unit Handling Motors

Brake Motors

200 & 575 Volt Motors

IEC Frame Motors

50 Hertz Motors

Inverter/Vector Motors & Controls

DC Motors and Controls

Soft Starters

Gearmotors and Gear Products

**Shunt Wound
SCR Drive Motors,
TEFC, C-Face with Base**

1/4 thru 3 Hp

NEMA 56C thru 215C

Applications: Conveyors, printing, textile equipment, machine tools (adjustable speeds with constant torque).

Features: Designed for use with NEMA Type K SCR control, 20:1 constant torque speed range (except where noted). NEMA C-face and removable base. NEMA 182 frame and larger have a normally closed thermostat on the field winding. Class F insulation, 1.0 service factor.



Hp	Base Speed	NEMA Frame	Voltage D.C.		Full Load Amperage		Catalog Number	List Price	Mult. Sym.	Ap'x. Shpg. Wgt.	Notes (a)
			Arm.	Field	Arm.	Field					
1/4	1750	56C	90	100/50	3	.3/.6	CD3425	699	K	23	20
1/3	1750	56C	90	100/50	3.4	.4/.8	CD3433	764	K	24	20
			180	200/100	1.9	.21/.42	CD3434	764	K	24	20
1/2	1750	56C	90	100/50	3.7	.5/1	CD5333 (b)(c)	1,101	K	31	20
			90	100/50	5.2	.5/1	CD3450	868	K	29	20
			180	200/100	2.6	.25/.5	CD3451	868	K	29	20
3/4	1750	56C	90	100/50	5	.44/.88	CD5350 (c)	1,216	K	38	20
			90	100/50	7.8	.6/1.2	CD3475	1,080	K	34	20
			180	200/100	3.9	.3/.6	CD3476	1,080	K	34	20
1	1750	56C	180	200/100	8	.6/1.2	CD5375 (c)	1,432	K	45	20
			90	100/50	5	.3/.6	CD5318 (c)	1,525	K	54	20
		182C	90	100/50	10	.6/1.2	CD5319 (c)	1,525	K	53	20
			180	200/100	5	.25/.5	CD6218	2,037	L1	65	20
1 1/2	1750	182C	180	200/100	9.6	.55/1.1	CD6219	2,037	L1	66	20
2	1750	182C	180	200/100	7.5	.25/.5	CD6215	2,281	L1	84	20
		213C	180	200/100	9.5	.4/.8	CD6202	2,698	L1	98	20
3	1750	184TC	180	200/100	9.5	.4/.8	CD7502	4,734	L1	105	20
		215C	180	200/100	14.7	.6/1.2	CD6203	3,064	L1	135	8, 73
		215C	180	200/100	14.7	.6/1.2	CD7503	5,035	L1	137	20

NOTE: See Tach Generators on page 256 and Mounting Kits on page 257. Tach Mounting Kits are not available for explosion-proof motors.

(a) See notes on inside back flap. (b) Base welded on type 3513D only. (c) No dual mounting base holes on 35D, 75D or 91D type.

**Shunt Wound
SCR Drive Motors,
Explosion Proof
TEFC, C-Face with Base**

1/2 thru 2 Hp

NEMA 182CZ thru 182C

Applications: Conveyors, printing, textile equipment, machine tools (adjustable speeds with constant torque).

Features: Designed for use with NEMA Type K SCR control, 20:1 constant torque speed range. Normally closed thermostat on the field winding. Class F insulation, 1.0 service factor. UL and CSA Division 1, Class I, Group D, Class II, Group F & G.

Hp	Base Speed	NEMA Frame	Voltage D.C.		Full Load Amperage		Catalog Number	XP Cls/Grp	Temp Code	List Price	Mult. Sym.	Ap'x. Shpg. Wgt.	Notes (a)
			Arm.	Field	Arm.	Field							
Explosion-Proof - Continuous Duty - Division 1, Class I, Group D & Class II, Group F & G - 1.0 S.F.													
1/2	1750	182CZ	90	100/50	4.9	.55/1.1	CDX1850 (b)	②	T3B	2,768	L1	100	2
3/4	1750	182CZ	90	100/50	7	.55/1.1	CDX1875 (b)	②	T3B	3,666	L1	100	2
1	1750	182CZ	180	200/100	5	.25/.5	CDX2001 (b)	②	T3B	4,560	L1	102	2
		182C	180	200/100	5	.25/.5	CDX7100	②	T3B	3,785	L1	102	2
1 1/2	1750	182C	180	200/100	7.5	.25/.5	CDX7150	②	T3B	5,012	L1	121	2
2	1750	182C	180	200/100	9.5	.4/.8	CDX7200 (b)	②	T3B	5,629	L1	135	2

(a) See notes on inside back flap. ② Class I, Group D; Class II, Group F&G

(b) Refers to shaft and/or face mounting dimensions only. Base mounting dimensions and shaft height differ from NEMA frames shown. Go to www.baldor.com for details.

CAUTION: Explosion-proof motors have a tight fit between mating parts to ensure the integrity of the explosion-proof enclosure. This can lead to an accumulation of moisture inside the motors due to condensation. Care should be used when selecting an explosion-proof motor, especially when installed outdoors and on intermittent duty.

Definite Purpose Motors

Unit Handling Motors

Brake Motors

200 & 575 Volt Motors

IEC Frame Motors

50 Hertz Motors

Inverter/Vector Motors & Controls

DC Motors and Controls

Soft Starters

Gearmotors and Gear Products

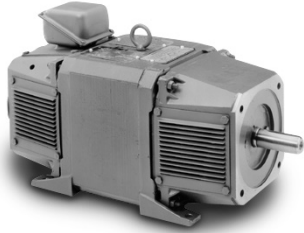
RPM III DC Shunt Wound SCR Drive Motors, 180V Armature Power Code K

1.5 thru 5 Hp

NEMA 189ATY thru 2112ATCZ

Applications: Metals, paper, web processes, extruders, cranes, conveyors, packaging, printing, machine tools.

Features: Unique laminated square frame for improved commutation on rectified power supplies. The square configuration allows for increased rating per frame size. Class F rated insulation system. Service Line brushes with convenient wear indicating reference lines. PLS™ (Positive Lubrication System) for longer bearing and motor life. F-3 mounting. Tach adaptable with thermostat.



Hp	Base Speed	NEMA Frame	Voltage D.C.		Full Load Amperage		Enclosure	Catalog Number	List Price	Mult. Sym.	Ap'x. Shpg. Wgt.	Reliance M/N	Field Type	XPY Tach Kit
			Arm.	Field	Arm.	Field (a)(b)								
1.5	1750	DC189ATY (c)	180	100/200	7.2	0.72	TENV	D1815R	6,040	N2	169	T18R1119	STR	413336-1R
2	1750	DC189ATY (c)	180	100/200	9.5	0.72	TENV	D1802R	6,040	N2	86	T18R1117	STR	413336-1R
3	1750	DC1811ATCZ (d)	180	100/200	14.1	1.17	TENV	CD1803R	9,906	N2	212	T18R1102	STR	413336-1R
		DC189ATY (c)(e)	180	100/200	14.8	0.95	DPG	D1803R	6,040	N2	165	T18R1118	STR	413336-1R
		DC189ATCZ (d)(e)	180	100/200	14.8	0.95	DPG	CDD1803R	6,040	N2	160	T18R1120	STR	413336-1R
5	1750	DC1810ATCZ (d)(e)	180	100/200	24	1.68	DPG	CD1805R	7,266	N2	175	T18R1105	STR	413336-1R
		DC2112ATCZ (d)	180	100/200	23	1.34	TENV	CD2105R	14,534	N2	355	T21S1101	STR	413336-1R

NOTE: Encoder and tachometer kits on page 250.

- (a) Field amps at 25°C
- (b) Field amps for high voltage connection
- (c) 140TC C-face
- (d) 180TC C-face
- (e) Top mounted conduit box, if blower added, blower must be mounted F-1 or F-2.

RPM III DC Shunt Wound SCR Drive Motors, 240V Armature 240V Field, Power Code C

3 thru 10 Hp

NEMA 1811ATCZ thru 2113ATCZ

Applications: Textile range drives, roofing machines, tube mills, and similar applications.

Features: Range drive motors have matched IR drops within approximately 5 volts and good regulation characteristics out to the maximum field weakened speed of 2300 rpm. Capable of operation at 25% base speed with 67% armature current and motor field pre-weakened to 2100 rpm. Specially designed for use on multi-motor drives operating on a common voltage power supply such as textile range drives, roofing machines, tube mills, etc. F-1 mounting. Tach adaptable with thermostat.

* Splash-Proof Guarded (SPG) is an open machine in which the ventilating openings are so constructed that successful operation is not interfered with when drops of liquid or solid particles strike or enter the enclosure at any angle not greater than 60 degrees downward from the vertical.



Hp	Base Speed	NEMA Frame	Voltage D.C.		Full Load Amperage		Enclosure *	Catalog Number	List Price	Mult. Sym.	Ap'x. Shpg. Wgt.	Reliance M/N	Field Type	XPY Tach Kit
			Arm.	Field	Arm.	Field (a)								
3	1750/2300	C1811ATCZ (b)	240	240	11	0.99	SPG	CD2003R-2	11,067	N2	198	T18R1009	STAB	413336-1R
5	1750/2300	C1811ATCZ (b)	240	240	18.1	1.11	SPG	CD2005R-2	11,067	N2	209	T18R1010	STAB	413336-1R
7.5	1750/2300	C1812ATCZ (b)	240	240	27	1.4	SPG	CD2007R-2	12,042	N2	235	T18R1011	STAB	413336-1R
10	1750/2300	SC2113ATCZ (c)	240	240	37	2.20	SPG	D2010R-2	16,661	N2	346	T21S1001	STAB	417708-21

NOTE: Encoder and tachometer kits on page 250.

- (a) Field amps at 25°C
- (b) 180TC C-face
- (c) 210TC C-face

Definite Purpose Motors

Unit Handling Motors

Brake Motors

200 & 575 Volt Motors

IEC Frame Motors

50 Hertz Motors

Inverter/Vector Motors & Controls

DC Motors and Controls

Soft Starters

Gearmotors and Gear Products

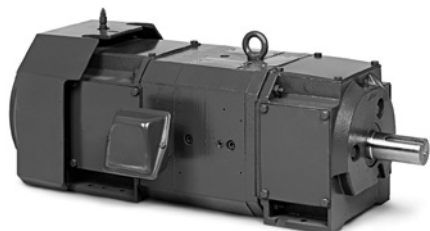
**RPM III DC Shunt
Wound SCR Drive
TEFC Motors, 240V &
500V Armature, Power
Code C**

5 thru 50 Hp

NEMA 1812ATZ thru 3212ATZ

Applications: Metals, paper, web processes, extruders, cranes, conveyors, packaging, printing, machine tools.

Features: Unique laminated square frame for improved commutation on rectified power supplies. The square configuration allows for increased rating per frame size. Class F rated insulation system. Service Line brushes with convenient wear indicating reference lines. PLS™ (Positive Lubrication System) for longer bearing and motor life. F-1 mounting unless otherwise specified. Tach adaptable with thermostat.



Hp	Base/Max Speed	NEMA Frame	Voltage D.C.		Full Load Amperage		Catalog Number	List Price	Mult. Sym.	Ap'x. Shpg. Wgt.	Notes	Reliance M/N	Field Type	XPY Tach Kit
			Arm.	Field	Arm.	Field (a)(b)								
5	1750/2300	C1812ATZ	240	150	18.5	1.80	D2505R	13,081	N2	251	87	T18R1005 (d)	STAB	417709-17
		SC2113ATZ	500	150/300	9	1.06	D5505R	15,311	N2	340	87	T21S201 (c)	STAB	417708-21
7.5	1750/2300	SC2113ATZ	240	150	27	3.25	D2507R	17,059	N2	359	87	T21S301	STAB	417709-65
		MC2113ATZ	500	150/300	13.5	1.41	D5507R	17,059	N2	360	87	T21S302 (d)	STAB	417709-65
10	1750/2300	MC2113ATZ	240	150	35.5	3.13	D2510R	18,820	N2	379	87	T21S303	STAB	417709-65
		MC2113ATZ	500	150/300	17.5	1.55	D5510R	18,820	N2	405	87	T21S304	STAB	417709-65
15	1750/2300	SC2512ATZ	240	150	53.5	2.18	D2515R	28,213	N2	560	6,87	T25S301	STAB	417709-66
		SC2512ATZ	500	150/300	25.6	1.71	D5515R	28,213	N2	547	87	T25S302	STAB	417709-66
20	1750/2300	LC2512ATZ	240	150	71	4.14	D2520R	30,464	N2	640	87	T25S303	STAB	417709-66
		LC2512ATZ	500	150/300	33	2.06	D5520R	30,464	N2	640	87	T25S304	STAB	417709-66
25	1750/2300	MC2812ATZ	240	150	87	4.05	D2525R	43,228	N2	805	87	T28S301	STAB	417709-67
		MC2812ATZ	500	150/300	41	2.23	D5525R	43,228	N2	815	87	T28S302	STAB	417709-67
30	1750/2300	LC2812ATZ	500	150/300	50	1.74	D5530R	48,066	N2	895	87	T28S303	STAB	417709-67
40	1750/2300	MC3212ATZ	500	150/300	65	1.82	D5540R	65,449	N2	1120	87	T32S301	STAB	417709-68
50	1750/2300	LC3212ATZ	500	150/300	84	1.98	D5550R	69,186	N2	1270	87	T32S302	STAB	417709-68

NOTE: Encoder and tachometer kits on page 250.

- (a) Field amps at 25°C
- (b) Field amps for high voltage connection
- (c) TENV enclosure
- (d) Power Code D

Definite Purpose Motors

Unit Handling Motors

Brake Motors

200 & 575 Volt Motors

IEC Frame Motors

50 Hertz Motors

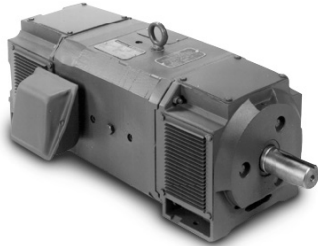
Inverter/Vector Motors & Controls

DC Motors and Controls

Soft Starters

Gearmotors and Gear Products

**RPM III Wound Field
SCR Drive DPG Motors,
240V & 500V Armature
Power Code C**



3 thru 60 Hp

NEMA 189ATCZ thru 2812ATZ

Applications: Metals, paper, web processes, extruders, cranes, conveyors, packaging, printing, machine tools.

Features: Unique laminated square frame for improved commutation on rectified power supplies. The square configuration allows for increased rating per frame size. High limit thermostat. Provision for adding adapter mounted feedback device. Class F rated insulation system. Service Line brushes with convenient wear indicating reference lines. PLS™ (Positive Lubrication System) for longer bearing and motor life. F-1 mounting unless otherwise specified.

Hp	Base/Max Speed	NEMA Frame	Voltage D.C.		Full Load Amperage		Catalog Number	List Price	Mult. Sym.	Ap'x. Shpg. Wgt.	Notes	Reliance M/N	Field Type	XPY Tach Kit
			Arm.	Field	Arm.	Field(a)(b)								
3	1750/2300	DC189ATCZ (c)(e)	240	150	11	1.52	D2003R	6,431	N2	161	80,83	T18R1127	STAB	413336-1R
		C1811ATZ	500	300	5.2	0.72	D5003R	9,967	N2	197	80	T18R1333 (d)	STR	413336-1R
5	1750/2300	C1811ATZ	240	150	19.2	1.77	D2005R	10,358	N2	194	80,83	T18R1318 (d)	STAB	413336-1R
		C1811ATZ	500	300	9	1	D5005R	9,967	N2	194	80	T18R1334 (d)	STR	413336-1R
7.5	1750/2300	C1811ATZ	240	150	28	1.95	D2007R	10,358	N2	210	80,83	T18R1301 (d)	STAB	413336-1R
		C1811ATZ	500	300	13.5	1.29	D5007R	9,967	N2	197	80	T18R1335 (d)	STR	413336-1R
10	1750/2300	C1812ATZ	240	150	37	2.13	D2010R	11,335	N2	233	80,84	T18R1302 (d)	STAB	413336-1R
		C1812ATZ	500	300	17.4	1.09	D5010R	11,335	N2	227	80,85	T18R1307 (d)	STAB	413336-1R
15	1750/2300	SC2113ATZ	240	150	56	4.12	D2015R	15,311	N2	315	87	T21S1330	STAB	417708-21
		SC2113ATZ	500	150/300	27	1.76	D5015R	15,311	N2	320	87	T21S1322	STAB	417708-21
20	1750/2300	LC2113ATZ	240	150	74	4.23	D2020R	18,661	N2	403	87	T21S1331	STAB	417708-21
		MC2113ATZ	500	150/300	35	1.98	D5020R	17,074	N2	372	87	T21S1323	STAB	417708-21
25	1750/2300	LC2113ATZ	240	150	91.5	5.84	D2025R	18,661	N2	415	87	T21S1332	STAB	417708-21
		LC2113ATZ	500	150/300	43	2.63	D5025R	18,661	N2	394	87	T21S1324	STAB	417708-21
30	1750/2300	SC2512ATZ	240	150	111	3.45	D2030R	26,466	N2	515	87	T25S1330	STAB	417708-21
		SC2512ATZ	500	150/300	52	1.71	D5030R	26,466	N2	520	87	T25S1322	STAB	417708-21
40	1750/2300	LC2512ATZ	500	150/300	68	2.4	D5040R	28,717	N2	605	6,87	T25S1323	STAB	417708-21
50	1750/2300	MC2812ATZ	500	150/300	85	2.02	D5050R	41,092	N2	766	6,87	T28S1313	STAB	417708-26
60	1750/2100	LC2812ATZ	500	300	100	2.78	D5060R	45,931	N2	860	6,87	T28S1314	STAB	417708-26

NOTE: Encoder and tachometer kits on page 250.

- (a) Field amps at 25°C
- (b) Field amps for high voltage connection
- (c) 180 TC C-face
- (d) Power Code D
- (e) Top mounted conduit box, if blower added, blower must be mounted F-1 or F-2

Definite Purpose Motors
 Unit Handling Motors
 Brake Motors
 200 & 575 Volt Motors
 IEC Frame Motors
 50 Hertz Motors
 Inverter/Vector Motors & Controls
 DC Motors and Controls
 Soft Starters
 Gearmotors and Gear Products

RPM III DC Motor Encoder and Tachometer Kits

Applications: Encoder and Tachometer Kits for Field Installation

Features: Kits include the encoder or tachometer and all mounting hardware required for installation on RPM III DC Motors.

Device Type	Output	Catalog Number	Frames	Enclosure	List Price	Mult. Sym.	Ap'x. Shpg. Wgt.
RD120-1	1 x 120 ppr	417708-30	DC180, C180, DC2112	DPG, DPFV	3,164	E8	5
		417708-32	C210-C250	DPG, DPFV, TENV	3,164	E8	5
		417708-33	C280-C400	DPG, DPFV, TENV	3,164	E8	5
		417708-153	C440	DPG, DPFV, TENV	3,164	E8	5
RD120-2	2 x 120 ppr	417708-34	DC180, C180, DC2112	DPG, DPFV	3,764	E8	5
		417708-36	C210-C250	DPG, DPFV, TENV	3,764	E8	5
		417708-37	C280-C400	DPG, DPFV, TENV	3,764	E8	5
		417708-154	C440	DPG, DPFV, TENV	3,764	E8	5
H20	1024 ppr	417708-133	DC180, C180, DC2112	DPG, DPFV, TENV	4,036	E8	5
		417708-134	C210-C250	DPG, DPFV, TENV	4,036	E8	5
		417708-135	C280-C400	DPG, DPFV, TENV	4,036	E8	5
		417708-151	C440	DPG, DPFV, TENV	4,036	E8	5
RL67	1024z ppr	417708-126	DC180, C180, DC2112	DPG, DPFV, TENV	5,128	E8	4
		417708-136	C210-C250	DPG, DPFV, TENV	5,128	E8	6
		417708-137	C280-C400	DPG, DPFV, TENV	5,128	E8	6
		417708-138	C440	DPG, DPFV, TENV	5,128	E8	4
PTG4590AC	45/90VAC/ 1000RPM	417708-244	DC180, C180, DC2112	DPG, DPFV, TENV	4,673	N5	35
		417708-245	C210-C250	DPG, DPFV, TENV	4,673	N5	22
		417708-246	C280-C400	DPG, DPFV, TENV	4,673	N5	22
		417708-247	C440	DPG, DPFV, TENV	4,673	N5	35

Encoder and Tachometer Mounting Kits (less tach)

Applications: Encoder and Tachometer mounting kits for field installation

Features: Kits include all mounting hardware required for installation on RPM III DC motors. Feedback device not included.

Device Type	Catalog Number	Frames	Enclosure	List Price	Mult. Sym.	Ap'x. Shpg. Wgt.
XC42, XC46, BC42, BC46, H56, 800123-R & -S	413336-2R	DC180, C180, DC2112	DPG, DPFV, TENV	1,689	A8	9
	417708-22	C210-C250	DPG, DPFV, TENV	1,689	A8	9
	417708-27	C280-C400	DPG, DPFV, TENV	1,689	A8	9
	417708-155	C440	DPG, DPFV, TENV	1,689	A8	9
	417709-21	C180	TEFC	4,245	A8	19
	417709-58	C210	TEFC	4,245	A8	20
	417709-59	C250	TEFC	4,245	A8	23
	417709-60	C280	TEFC	4,245	A8	23
XPY, XPYII, 5PY, RPY444	417709-61	C320	TEFC	4,245	A8	29
	413336-1R	DC180, C180, DC2112	DPG, DPFV, TENV	1,689	A8	7
	417708-21	C210-C250	DPG, DPFV, TENV	1,689	A8	7
	417708-26	C280-C400	DPG, DPFV, TENV	1,689	A8	7
	417708-156	C440	DPG, DPFV, TENV	1,689	A8	8
	417709-17	C180	TEFC	4,245	A8	6
	417709-65	C210	TEFC	4,245	A8	6
	417709-66	C250	TEFC	4,245	A8	9
RL67	417709-67	C280	TEFC	4,245	A8	15
	417709-68	C320	TEFC	4,245	A8	18
	417708-40	DC180, C180, DC2112	DPG, DPFV, TENV	1,091	A8	1
	417708-41	C210 - C250	DPG, DPFV, TENV	1,091	A8	2
	417708-42	C280 - C400	DPG, DPFV, TENV	1,091	A8	1
	417708-157	C440	DPG, DPFV, TENV	1,091	A8	1

Blower Kits for use with RPM III DC Motors
Suitable for operation on 230/460V or 240/480V, 3-Phase, 50/60 Hz

Motor Frame	Catalog Number	List Price	Mult. Sym.	Ap'x. Shpg. Wgt. (lb)	Description
C180ATZ, DC180ATZ	417077-51	1,491	A8	44	Blower Kit Without Filter
C210ATZ	419947-29	1,491	A8	83	Blower Kit Without Filter
C250ATZ	419947-30	1,491	A8	39	Blower Kit Without Filter
C280ATZ	419947-32	1,823	A8	84	Blower Kit Without Filter
C320ATZ	419947-34	2,123	A8	90	Blower Kit Without Filter
C3612ATZ	417077-74	2,123	A8	90	Blower Kit Without Filter
C3613ATZ	417077-127	2,123	A8	110	Blower Kit Without Filter
C400ATZ	417077-75	2,324	A8	85	Blower Kit Without Filter
C440ATZ	417077-126	4,738	A8	225	Blower Kit Without Filter

Filter Kits for use with DPG-FV, RPM III DC motors

Motor Frame	Catalog Number	List Price	Mult. Sym.	Ap'x. Shpg. Wgt. (lb)	Description
C180ATZ, DC180ATZ	417077-57	911	A8	2	Washable Wire Mesh Canister Type
C2113ATZ	417077-58	911	A8	4	Washable Wire Mesh Canister Type
C2115ATZ	417077-59	911	A8	4	Washable Wire Mesh Canister Type
C2512ATZ	417077-58	911	A8	4	Washable Wire Mesh Canister Type
C2514ATZ	417077-59	911	A8	4	Washable Wire Mesh Canister Type
C2515ATZ	417077-59	911	A8	4	Washable Wire Mesh Canister Type
C2812ATZ	417077-59	911	A8	4	Washable Wire Mesh Canister Type
C2813ATZ	417077-59	911	A8	4	Washable Wire Mesh Canister Type
C2815ATZ	417077-59	911	A8	4	Washable Wire Mesh Canister Type
C3210ATZ	417077-59	911	A8	4	Washable Wire Mesh Canister Type
C3212ATZ	417077-59	911	A8	4	Washable Wire Mesh Canister Type
C3214ATZ	417077-59	911	A8	4	Washable Wire Mesh Canister Type
C3612ATZ	417077-65	1,165	A8	7	Washable Wire Mesh Canister Type
C3613ATZ	417077-102	1,642	A8	6	Washable Wire Mesh Canister Type
C400ATZ	417077-102	1,642	A8	6	Washable Wire Mesh Canister Type
C440ATZ	417077-124	1,893	A8	22	Square Replaceable Polyester Type

Sliding Bases for RPM III DC motors

Applications: Used for adjusting belt tension on belted applications. Not suitable for wall or ceiling mounting.

Motor Frame	Catalog Number	List Price	Mult. Sym.	Ap'x. Shpg. Wgt.	Description	Dimension Sheet
DC1810ATZ	42384-26D	319	A8	14	Standard Duty	609987-501
DC1811ATZ	42384-26BE	319	A8	17	Heavy Duty	609987-501
C1811ATZ	42384-26BE	278	A8	17	Heavy Duty	609987-1
C1812ATZ	42384-26BF	319	A8	17	Heavy Duty	609987-1
DC2112ATZ	42384-26BH	545	A8	29	Heavy Duty	609958-51
C2113ATZ	419914-1A	545	A8	50	Heavy Duty	609957-1
C2115ATZ	419914-1P	545	A8	36	Heavy Duty	609957-1
C2512ATZ	419914-1B	634	A8	33	Heavy Duty	609957-1
C2514ATZ	419914-1R	634	A8	59	Heavy Duty	609957-1
C2515ATZ	419914-1S	634	A8	36	Heavy Duty	609957-1
UC2812ATZ	419914-1C	1,223	A8	37	Heavy Duty	609957-1
UC2813ATZ	419914-1T	1,223	A8	26	Heavy Duty	609957-1
UC2815ATZ	419914-1U	1,223	A8	42	Heavy Duty	609957-1
UC3212ATZ	419914-1D	1,606	A8	69	Heavy Duty	609977-1
UC3214ATZ	419914-1W	1,606	A8	76	Heavy Duty	609977-1
UC3612ATZ	419914-1E	2,166	A8	76	Heavy Duty	609977-1
UC3613ATZ	419914-1X	2,166	A8	81	Heavy Duty	609977-1

Definite Purpose Motors

Unit Handling Motors

Brake Motors

200 & 575 Volt Motors

IEC Frame Motors

50 Hertz Motors

Inverter/Vector Motors & Controls

DC Motors and Controls

Soft Starters

Gearmotors and Gear Products

SCR Drive Motors Shunt 5 thru 250 Hp and Stabilized Shunt Wound - DPFPG, Self Ventilated, Rigid Base

NEMA L186AT thru 506AT

Applications: Conveyors, plastic extruders, packaging machinery and other constant torque applications for DC SCR motors.

Features: Includes thermostat on interpole. Class F insulation system resistant to dirt, carbon, dust and moisture. High dielectric stability. Low moment of inertia armature for fast response. Constant pressure brush springs and longer brushes for reduced maintenance. Includes grease fittings and reliefs for bearing maintenance. Power code C and D or M-G sets. Maximum RPM by field weakening. Provisions for tach mounting. (See tach mounting kits on page 255). May be converted to blower ventilated (DPBV) for extended constant torque speed range.



Hp	Base/Max Speed (a)	NEMA Frame	Voltage D.C.		ull Load Amperage		Catalog Number	List Price Motors Only (c)	Mult. Sym.	Ap'x. Shpg. Wgt. (d)	XPY Tach Kit	Blower Catalog Number	Notes (e)
			Arm.	Field	Arm.	Field (b)							
5	1750/2300	L186AT	240	150/300	17.7	.74	D2005P	6,242	N2	180	TKP1836XP	FVB3180	2,20
			500	150/300	8.5	.669	D5005P	6,242	N2	162	TKP1836XP	FVB3180	2,20
7 1/2	1750/2300	1810AT	240	150/300	27.8	.92	D2007P	7,258	N2	218	TKP1836XP	FVB3180	2,20
		218AT	500	150/300	13.2	.685	D5007P	8,009	N2	235	TKP1836XP	FVB3210	2,20
10	1750/2300	219AT	240	150/300	36.6	2.14	D2010P	8,238	N2	245	TKP1836XP	FVB3210	2,20
			500	150/300	17.2	1.36	D5010P	8,238	N2	255	TKP1836XP	FVB3210	2,20
15	1750/2300	258AT	240	150/300	55	2.60	D2015P	9,861	N2	375	TKP1836XP	FVB3250	2,20
			500	150/300	25.2	1.39	D5015P	9,861	N2	375	TKP1836XP	FVB3250	2,20
20	1750/2300	259AT	240	150/300	70.5	2.48	D2020P	11,273	N2	430	TKP1836XP	FVB3250	2,20
			500	150/300	35.1	1.24	D5020P	11,273	N2	430	TKP1836XP	FVB3250	2,20
25	1750/2300	288AT	240	150/300	89.2	2.96	D2025P	15,236	N2	575	TKP1836XP	FVB4280	2,20
		287-8AT	500	150/300	43.4	1.64	D5025P	15,236	N2	490	TKP1836XP	FVB4280	2,20
30	1750/2300	288AT	240	150/300	106	2.96	D2030P	15,236	N2	595	TKP1836XP	FVB4280	2,20
			500	150/300	50	2	D5030P	15,236	N2	590	TKP1836XP	FVB4280	2,20
40	1750/2100	328AT	500	150/300	67.9	2.16	D5040P	20,393	N2	784	TKP1836XP	FVB6320	2,20
50	1750/2100	328AT	500	150/300	83.7	1.99	D5050P	20,393	N2	822	TKP1836XP	FVB6320	2,20
60	1750/2100	365-6AT	500	150/300	98.6	1.74	D5060P	27,343	N2	790	TKP1836XP	FVB6400	2,20
75	1750/2100	366AT	500	150/300	123	1.48	D5075P	27,343	N2	905	TKP1836XP	FVB6400	2,20
100	1750/2000	368AT	500	150/300	158	3	D50100P	36,878	N2	1100	TKP1836XP	FVB6400	2,20
125	1750/2000	407AT	500	150/300	200	3	D50125P	42,414	N2	1445	TKP400XP	FVB6400	2,20
150	1750/2000	409AT	500	150/300	237	2.34	D50150P	52,882	N2	1785	TKP500XP	FVB6400	2,20
200	1750/1900	504AT	500	150/300	320	3.9	D50200P	65,981	N2	2095	TKP500XP	FVB8500	2,20
250	1750/1900	506AT	500	150/300	392	5.01	D50250P	79,067	N2	2540	TKP500XP	FVB8500	2,20

NOTES:

- (a) DPFPG enclosure is self-ventilated. Speed can be reduced to approximately 60% of base speed with constant torque. See performance data in CA608 catalog for specific speed-torque curves. Separate blower can be used to increase operating range below 60% of base speed.
- (b) Field amps are for 150V connection on 240VDC motors; 300V connection on 500VDC motors. 360, 400 & 500 frames are 4 pole stabilized shunt until 3rd quarter 2006 when they became shunt. Others are 2 pole shunt.
- (c) Does not include price of blower. See page 255 for pricing.
- (d) Does not include weight of blower. See page 255 for weights.
- (e) See notes on inside back flap.

180 frame motors are supplied without external conduit box, see online layout drawing for details.

SCR Drive Motor Shunt and Stabilized Shunt Wound DPBV Enclosure - Rigid Base



40 thru 500 Hp

NEMA 328AT thru 5010AT

Applications: Conveyors, plastic extruders, packaging machinery and other constant torque applications for DC SCR motors.

Features: Includes thermostat on interpole. Class F insulation system resistant to dirt, carbon, dust and moisture. High dielectric stability. Low moment of inertia armature for fast response. Constant pressure brush springs and longer brushes for reduced maintenance. Includes grease fittings and reliefs for bearing maintenance. Power code C or M-G sets. Maximum RPM by field weakening. Provisions for tach mounting. (See tach kits on page 255). Blower-ventilated, includes filter.

Hp	Base/Max Speed	NEMA Frame	Voltage D.C.		Full Load Amperage		Catalog Number	List Price w/Blower & Filter	Mult. Sym.	Ap'x. Shpg. Wgt.	XPY Tach Kit	Notes (b)
			Arm.	Field	Arm.	Field (a)						
40	1750/2100	328AT	240	150/300	138	2.64	D2040P-BV	23,764	N2	855	TKP1836XP	2,20
			500	150/300	67.9	2.16	D5040P-BV	23,764	N2	830	TKP1836XP	2,20
50	1750/2100	328AT	240	150/300	175	2.64	D2050P-BV	23,764	N2	873	TKP1836XP	2,20
			500	150/300	83.7	1.99	D5050P-BV	23,764	N2	885	TKP1836XP	2,20
60	1750/2100	366AT	240	150/300	201	5.58	D2060P-BV	30,715	N2	980	TKP1836XP	2,20
		365-6AT	500	150/300	98.6	1.74	D5060P-BV	30,715	N2	880	TKP1836XP	2,20
75	1750/2100	366AT	240	150/300	256	5.58	D2075P-BV	30,715	N2	975	TKP1836XP	2,20
			500	150/300	123	1.48	D5075P-BV	30,715	N2	960	TKP1836XP	2,20
100	1750/2000	368AT	500	150/300	158	3	D50100P-BV	40,250	N2	1145	TKP1836XP	2,20
125	1750/2000	368AT	500	150/300	197	3	D50125P-BV	40,250	N2	1170	TKP1836XP	2,20
150	1750/2000	407-9AT	500	150/300	238	2.69	D50150P-BV	46,126	N2	1519	TKP400XP	2,20
200	1750/1900	409AT	500	150/300	311	3.75	D50200P-BV	57,457	N2	1830	TKP400XP	2,20
250	1750/1900	504-6AT	500	150/300	405	4.85	D50250P-BV	70,339	N2	2175	TKP500XP	2,20
300	1750	506AT	500	150/300	478	6.2	D50300P-BV	83,425	N2	2629	TKP500XP	2,20
400	1750/1900	508AT	500	150/300	624	6.07	D50400P-BV	117,765	N2	3285	TKP5006XP	2,20
500	1750/1900	5010AT	500	150/300	788	6.03	D50500P-BV	154,655	N2	4170	TKP500XP	2,20

NOTE: (a) Field amps are for 150V connection on 240VDC motors; 300V connection on 500VDC motors. 360 through 500 frames are 4 pole stabilized shunt, until 3rd quarter 2006 when they became shunt. Others are 2 pole shunt. Tach mounting kits on page 255.
 (b) See notes on inside back flap.

SCR Drive Motor 240V Armature - 240V Field Shunt Wound DPFPG - Self-Ventilated Rigid Base and C-Face



3 thru 15 Hp

NEMA L186ATC thru 258ATC

Applications: Conveyors, plastic extruders, packaging machinery and other constant torque applications for DC SCR motors.

Features: Includes thermostat on interpole. Class F insulation system resistant to dirt, carbon, dust and moisture. High dielectric stability. Low moment of inertia armature for fast response. Constant pressure brush springs and longer brushes for reduced maintenance. Includes grease fittings and reliefs for bearing maintenance. Power code C or M-G sets. Maximum RPM by field weakening.

Hp	Base/Max Speed	NEMA Frame	Voltage D.C.		Full Load Amperage		Catalog Number	List Price Motor (b)	Mult. Sym.	Ap'x. Shpg. Wgt. (c)	XPY Tach Kit	Blower Catalog Number	Notes (d)
			Arm.	Field	Arm.	Field (a)							
3	1750/2300	L186ATC	240	120/240	10.6	.445	CD2003P-2	6,453	N2	170	TKP1836XP	FVB3180	2
5	1750/2300	L186ATC	240	120/240	17.7	.484	CD2005P-2	6,453	N2	170	TKP1836XP	FVB3180	2
7 1/2	1750/2300	1810ATC	240	120/240	28.1	.458	CD2007P-2	7,468	N2	222	TKP1836XP	FVB3180	2
10	1750/2300	219ATC	240	120/240	36.6	1.26	CD2010P-2	8,834	N2	250	TKP1836XP	FVB3210	2
15	1750/2300	258ATC	240	120/240	55	1.25	CD2015P-2	10,458	N2	408	TKP1836XP	FVB3250	2

NOTE: (a) Field amps for 240VDC connection. (b) Does not include price of blower and filter. See page 255 for pricing.
 (c) Does not include weight of blower and filter. See page 255 for weights. Tach mounting kits on page 255.
 (d) See notes on inside back flap. 180 frame motors are supplied without external conduit box, see online layout drawing for details.

Define Purpose Motors

Unit Handling Motors

Brake Motors

200 & 575 Volt Motors

IEC Frame Motors

50 Hertz Motors

Inverter/Vector Motors & Controls

DC Motors and Controls

Soft Starters

Gearmotors and Gear Products

Shunt Wound SCR Drive Motor - TEFC, Rigid Base

5 thru 25 Hp

NEMA 1810AT THRU 328AT

Applications: Conveyors and packaging machinery.

Features: Includes thermostat on interpole, grease fittings and reliefs. Class F insulation system. Constant pressure brush springs and precision brush holders. Provisions for tach mounting (See tach mounting kits page 255).



Hp	Base/Max Speed	NEMA Frame	Voltage D.C.		Full Load Amperage		Catalog Number	List Price Motors Only	Mult. Sym.	Ap'x. Shpg. Wgt.	XPY Tach Kit	Notes (b)
			Arm.	Field	Arm.	Field (a)						
5	1750/2300	1810AT	240	150/300	17.6	0.764	D2505P	9,004	N2	220	N/A	2
			500	150/300	8.3	0.382	D5505P	9,004	N2	214	N/A	2
7 1/2	1750/2300	2110AT	240	150/300	26.6	2.10	D2507P	10,480	N2	300	TKP2136XPT	2
			500	150/300	12.3	1.05	D5507P	10,480	N2	310	TKP2136XPT	2
10	1750/2300	259AT	240	150/300	34.3	1.72	D2510P	13,020	N2	250	TKP2136XPT	2
			500	150/300	16.3	0.86	D5510P	13,020	N2	250	TKP2136XPT	2
15	1750/2300	288AT	240	150/300	51.7	1.96	D2515P	17,374	N2	630	TKP2136XPT	2
			500	150/300	24.5	0.99	D5515P	17,374	N2	630	TKP2136XPT	2
20	1750/2300	328AT	240	150/300	68.8	2.22	D2520P	22,882	N2	850	TKP2136XPT	2
			500	150/300	32.7	1.11	D5520P	22,882	N2	875	TKP2136XPT	2
25	1750/2300	328AT	240	150/300	84.8	2.22	D2525P	22,882	N2	872	TKP2136XPT	2
			500	150/300	40.9	1.11	D5525P	22,882	N2	875	TKP2136XPT	2

NOTE: (a) Field amps are for 150V connection on 240VDC motors; 300V connection on 500VDC motors. Tach mounting kits on page 255.

(b) See notes on inside back flap.

180 frame motors are supplied without external conduit box, see online layout drawing for details.

Lifting Magnet Generators

5 thru 40 kW

NEMA 1810AT thru 329AT

Applications: Crane mounted lifting magnets for recyclers and steel mills.

Features: Heavy duty steel frame. Cast iron endplates. Class H insulation with Class F temperature rise. Precision brush holders. Constant force brush springs. Double sealed ball bearings. Compound wound with drooping voltage characteristics. DPFG enclosure. Weather resistant paint. F-2 conduit box. CDMG generators have C-face and base mounting for hydraulic pump or PTO mounting.



kW	Base Speed	NEMA Frame	Voltage D.C.		Full Load Amperage		Catalog Number	List Price	Mult. Sym.	Ap'x. Shpg. Wgt.	Field Control Rheostat		Notes (a)
			Arm.	Field	Arm.	Field					Ohms	Amp Max.	
5	2500	1810AT	230	230	21.7	0.62	DMG2305	7,521	N2	220	300	0.85	2
7 1/2	2500	219AT	230	230	32.6	1.15	DMG2307	8,652	N2	245	150	1.6	2
		219AT	230	230	43.5	0.878	DMG2310	9,589	N2	250	200	1.4	2
10	2500	219ATC	230	230	43.5	0.878	CDMG2310	10,190	N2	250	200	1.4	2
		259AT	230	230	65	1.33	DMG2315	16,097	N2	250	200	1.82	2
15	1750	259ATC	230	230	65	1.33	CDMG2315	16,684	N2	250	200	1.82	2
		288AT	230	230	87	1.8	DMG2320	17,622	N2	595	125	2.52	2
20	1750	288ATC	230	230	87	1.8	CDMG2320	18,625	N2	613	125	2.52	2
		328AT	230	230	109	2.13	DMG2325	19,269	N2	820	100	3.0	2
25	1750	328ATC	230	230	109	2.13	CDMG2325	20,265	N2	886	100	3.0	2
		328AT	230	230	144	2.13	DMG2333	24,435	N2	840	100	3.0	2
33	1750	328ATC	230	230	144	2.13	CDMG2333	25,423	N2	880	100	3.0	2
		329AT	230	230	174	3.7	DMG2340	26,785	N2	910	50	5.2	2

NOTE: Field control rheostat and meters are not included in price or available from Baldor.

(a) See notes on inside back flap.

Definite Purpose Motors

Unit Handling Motors

Brake Motors

200 & 575 Volt Motors

IEC Frame Motors

50 Hertz Motors

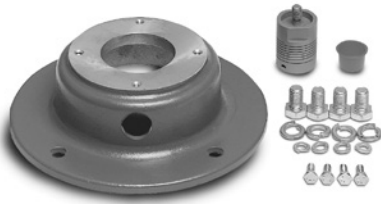
Inverter/Vector Motors & Controls

DC Motors and Controls

Soft Starters

Gearmotors and Gear Products

Tach Mounting Kits and Cooling Blowers for DC Integral Hp Motors



Applications: Allows addition of DC, AC and digital tachometers to large DC motors for closed-loop operation.

Features: Tach mounting kits supply adapter, coupling, accessory shaft and mounting hardware. Allows mounting to 8.5 inch accessory face on most large DC motors.

Tach Mounting Kits for DC Integral Hp Motor Catalog No. Ending With “P”

Tach Type	Motor Frame	Motor Enclosure	Catalog Number	List Price	Mult. Sym.	Ap'x. Shpg. Wgt.
XPYII	180/360	DPFG, DPBV	TKP1836XP	1,142	A8	1
XPY, DPY	210/360	TEFC	TKP2136XPT	1,142	A8	13
BTG1000	400	DPFG, DPBV	TKP400XP	1,142	A8	2
	500	DPFG, DPBV	TKP500XP	1,142	A8	3
XC42 or XC46	210/360	DPFG, DPBV	TKP2136XC	1,689	A8	16
	500	DPFG, DPBV	TKP500XC	1,689	A8	7
ENCO0NV ENCODER	180/360	DPFG, DPBV	TKP1836ENC	867	A8	17
	400	DPFG, DPBV	TKP400ENC	867	A8	16
	500	DPFG, DPBV	TKP500ENC	867	A8	17
NCS PANCAKE	210/360	DPFG, DPBV	TKP2136NC	65	A8	3
	400	DPFG, DPBV	TKP400NC	65	A8	1
	500	DPFG, DPBV	TKP500NC	65	A8	1
AC PANCAKE	210/360	DPFG, DPBV	TKP2136AC	65	A8	2
	400	DPFG, DPBV	TKP400AC	65	A8	1
	500	DPFG, DPBV	TKP500AC	65	A8	1

Blower and Mounting Kits for DC Integral Hp Motor Catalog No. Ending With “P”

Motor Frame	Catalog Number	Blower Power	Blower Size	List Price	Mult. Sym.	Ap'x. Shpg. Wgt.
Blower and Mounting Kit						
180	FVB3180	1 PH	LM 3	1,491	A8	18
210	FVB3210	3 PH	LM 3	1,491	A8	25
250	FVB3250	3 PH	LM 3	1,491	A8	19
280	FVB4280	3 PH	LM 4	1,823	A8	44
320	FVB6320	3 PH	LM 6	2,123	A8	46
360-400	FVB6400	3 PH	LM 6	2,323	A8	59
504-506	FVB8500	3 PH	LM 8	2,750	A8	93
508-5012	FVB95010 (a)	3 PH	LM 9	4,738	A8	171
Filter and Hardware for Above Blowers						
180, 210, 250	FLT3210-250 (b)	-	LM 3	791	A8	2
280	FLT4280	-	LM 4	791	A8	9
320,360,400	FLT6320-400	-	LM 6	791	A8	14
504-506	FLT8500	-	LM 8	965	A8	9

NOTE: (a) Includes Blower and Filter. (b) Also used with FVB3180.

Definite Purpose Motors

Unit Handling Motors

Brake Motors

200 & 575 Volt Motors

IEC Frame Motors

50 Hertz Motors

Inverter/Vector Motors & Controls

DC Motors and Controls

Soft Starters

Gearmotors and Gear Products

Tach Generators DC, AC and Digital Output

Applications: Speed feedback for controls (encoders also offer position feedback).

Features: Ball bearing construction, standard mounting flanges and/or feet.



Generator Type	Voltage	Catalog Number	List Price	Mult. Sym.	Ap'x. Shpg. Wgt.
XPY Flange Mount (DC)					
30AFL-0	50VDC	BTG1000	559	DS	7
XPYIII	100VDC	BTG100XPS	1,021	N5	6
XPYII	100VDC	PTG100XPS	1,509	N5	10
XPY	100VDC	PTG100XP	1,453	N5	6
XPYIII	50VDC	BTG50XPS	1,021	N5	2
XPYII	50VDC	PTG50XPS	1,509	N5	8
XPY	50VDC	PTG50XP	1,453	N5	6
XPY Washdown Flange Mount (DC)					
XPYII	100VDC	PTGWD100XPS	1,607	N5	10
XPYIII	100VDC	BTGWD100XPS	1,214	N5	2
XPYII	50VDC	PTGWD50XPS	1,607	N5	10
XPYIII	50VDC	BTGWD50XPS	1,214	N5	2
Encoder Based Digital PY Flange Mount					
DPY	1024PPR	PTG1024LD (a)	1,895	N5	1
Electrically Isolated Encoder					
E-ACC	1024PPR	ENC00NV (a) (b)	1,932	E8	2
Metric Flange Mount (DC)					
XPY	60VDC	PTG60XP-M (c)	1,453	N5	5
XPYII	60VDC	PTG60XPS-M (c)	1,509	N5	11
XPYIII	60VDC	BTG60XPS-M (c)	1,021	N5	2
Foot Mount (DC)					
XPY	100VDC	PFTG100XP	1,453	N5	6
XPY	50VDC	PFTG50XP	1,453	N5	6
Foot Mount with Face (DC)					
XC42	100VDC	PFTG42100X	2,857	N5	33
XC42	50VDC	PFTG4250XC	2,920	N5	32
XC46	100VDC	PFTG46100X	5,021	N5	43
XC46	50VDC	PFTG4650XC	5,021	N5	44
Pancake Mount (AC & DC)					
AC	45/90VAC	PTG4590AC (d) **	1,396	N5	8
NCS	50VDC	PTG50NC (d) **	2,085	N5	8

NOTE: Flange mounted tachs require tach adapters shown on pages 255 and 257. XPY tachs have UL listing, file number E109527, CSA file number LR36841-5, XPYII tachs are pending approval.

(a) See page 208 for cables.

(b) Electrically isolated encoder & kit: Mounts to SCR motors using appropriate adapter shown on page 255 may eliminate the need for EXB00801 isolated encoder feedback board.

(c) Requires adapter for metric flange tach. Will not mount on adapters for PY flanges.

(d) Does not mount to TEFC. See catalog MN605 for details. Will only mount to DPF and DPBV motors on pages 252 & 253 using adapters shown on page 255.

**Field Conversion
Tach Mounting Kits
for Permanent Magnet
and Shunt Wound Motor**

**For PY Flange mounted BTG1000, XPY, XPYII and DPY
tachometers**

Complete kits consisting of fan cover (except TK3300), shaft extension coupling and tach adapter bracket with miscellaneous hardware. If you prefer, the conversion can be made by Baldor Mod Express. Tach kits will not work with Explosion Proof Motors (CDPX or CDX). See PY flange mount tachs shown on page 256.



Baldor Motor Type	Kit Catalog Number	List Price	Mult. Sym.	Ap'x. Shpg. Wgt.
3300P	TK3300	202	A8	1
3400D/P	TK3400	358	A8	4
3500D/P	TK3500	377	A8	9
3600D	TK3600	498	A8	10
3600P	TK3600PM	498	A8	7
7500D	TK7500	516	A8	17
9100D	TK9100	557	A8	23

Definite Purpose Motors

Unit Handling Motors

Brake Motors

200 & 575 Volt Motors

IEC Frame Motors

50 Hertz Motors

Inverter/Vector Motors & Controls

DC Motors and Controls

Soft Starters

Gearmotors and Gear Products

NEMA 1 Enclosed DC Controls for PMDC and Shunt Wound Motors

1/100 thru 2 Hp 115/230 VAC Single Phase 50/60 Hz.

Applications: General purpose industrial use with permanent magnet or shunt wound DC motors.

Features: SCR controls have a free-wheeling diode and feature adjustable accel, decel, current limit, IR comp, min. and max speed pots to match applications. The anti-demag feature protects PM motors and helps protect the SCR power bridge against direct shorts. The controls have US and Canadian UL component recognition.



BC140-FBR
Enclosed
(NEMA 1)



BC138
Enclosed
(NEMA 1)

A Plug-in Horsepower Resistor® and armature fuse **must** be ordered and installed in BC138, BC139, BC140 and BC140-FBR.

Hp Range	Catalog Number	List Price	Mult. Sym.	Ap'x Shpg. Wgt. Lbs.	Input Voltage
1/100-1/3	BC138	218	E9	1	115
1/50-3/4	BC139	218	E9	1	230
1/100-2 (a)	BC140	369	E9	3	115/230
1/100-2 (a)	BC140-FBR	510	E9	3	115/230

NOTE: (a) 1 Hp at 115V and 2 Hp at 230V requires BC143 heatsink kit. See specification pages at the end of this section for details. FBR=Forward/Brake/Reverse.

DC Control Accessories

Catalog Number	Description	List Price	Mult. Sym.	Ap'x. Shpg. Wgt.
BC24-LF	Ac Line Filter for use with CE Applications	75	E9	1
BC143	External Heatsink Kit (BC140, BC140-FBR, BC141, BC142, BC204)	72	E9	2
BC144	Forward-Brake-Reverse Switch Kit for BC140	124	E9	1
BC145	Signal Isolator Board	211	E9	1
BC147	Barrier Terminal Board (BC141 and BC142)	30	E9	1
BC148	Replacement Potentiometer Kit (5K ohm)	13	E9	1
BC149	Knob and Dial Kit	15	E9	1
BC152	Barrier Terminal Board With Signal Isolator (BC141 and BC142)	193	E9	1
BC218	DIN-rail mounting kit for BC141, BC142 or BC204	36	E9	1

NOTE: BC24-LF is an AC line filter required for applications where CE is required if the control is not filtered elsewhere in the application. This filter may be used on most 115 or 230 VAC, single phase applications where CE is required.

Definite Purpose Motors

Unit Handling Motors

Brake Motors

200 & 575 Volt Motors

IEC Frame Motors

50 Hertz Motors

Inverter/Vector Motors & Controls

DC Motors and Controls

Soft Starters

Geared Motors and Gear Products

**Chassis Mount
DC Controls**

**1/100 thru 1.5 Hp
1/50 thru 5 Hp**

**115 VAC Single Phase 50/60 Hz.
230 VAC Single Phase 50/60 Hz.**

Define Purpose
Motors

Unit Handling
Motors

Brake Motors

200 & 575 Volt
Motors

IEC Frame
Motors

50 Hertz
Motors

Inverter/Vector
Motors & Controls

DC Motors
and Controls

Soft Starters

Gearmotors and
Gear Products



BC142

Applications: General purpose industrial use with permanent magnet or shunt wound DC motors.

Features: Chassis-mount SCR controls have a free-wheeling diode and feature adjustable accel, decel, current limit, IR comp, min and max speed pots to match applications. The anti-demag feature protects PM motors and helps protect the SCR power bride against direct shorts. The controls have US and Canadian UL component recognition.

A Plug-in Horsepower Resistor® and armature fuse **must** be ordered and installed in all versions of BC141 and BC142.

Hp Range	Catalog Number	Description Input Voltage / Max. Hp	List Price	Mult. Sym.	Ap'x. Shpg. Wgt.	Input Voltage
1/100-1 1/2 (a)	BC141	Standard Model, single voltage	202	E9	1	115
1/100-1 1/2	BC141-SIH	BC141 with BC152 Signal Isolator and BC143 Heatsink factory installed	477	E9	2	115
1/100-3 (a)	BC142	Standard Model, single voltage	202	E9	2	230
1/100 - 3	BC142-SIH	BC142 with BC152 Signal Isolator and BC143 Heatsink factory installed	499	E9	2	230
1/100-1 1/2 (a) 1/50-3	BC142-5	Dual voltage, without fuse holders	225	E9	1	115/230
1/100 - 1 1/2 (a) 1/50 - 3	BC142-6	Standard Model, dual voltage	224	E9	1	115/230
1/100 - 1 1/2 1/50 - 3	BC142-6SIH	BC142-6 with BC152 signal isolator board and BC143 heatsink factory installed	499	E9	1	115/230
5 (b)	BC155	230V - 5 Hp	660	E9	5	230

NOTE: Above controls include 5k speed potentiometer.

(a) 1-1.5 Hp at 115 Volts and 2-3 Hp at 230 Volts, requires BC143 Heatsink kit.

(b) BC155 Includes integral heatsink. No fuses are needed. See specification pages at the end of this section for details.

**Plug-in
Horsepower
Resistor and
Fuse Kit**



These should be selected based on the motor's **rated current**. The price of the Hp resistor and fuse is included in the BC138, BC139, BC140, BC140-FBR, BC141 and BC142 list price.

See selection below for catalog number.

Spare resistor kits are available for \$11.00 list, **E9** multiplier.

Motor Hp Armature Voltage		Plug-In Hp Resistor Resistance Value (Ohms)	Catalog Number	Ap'x DC Current (Amps)	DC Fuse Rating For Armature
90-130V	180V				
1/100	1/50	1.0	BR1000	0.20	0.5
1/50	1/25	0.51	BR0510	0.30	0.5
1/30	1/15	0.35	BR0350	0.33	0.5
1/20	1/10	0.25	BR0250	0.5	0.75
1/15	1/8	0.25	BR0251	0.8	1.0
1/12	1/6	0.18	BR0180	0.85	1.25
1/8	1/4	0.1	BR0100	1.3	2.0
1/6	1/3	0.1	BR0101	2.0	2.5
1/4	1/2	0.05	BR0050	2.5	4.0
1/3	3/4	0.035	BR0035	3.3	5.0
1/2	1	0.025	BR0025	5.0	8.0
3/4	1 1/2	0.015	BR0015SP	7.5	12.0
1 (a)	2 (a)	0.01	BR0010SP	10	15.0
1 1/2 (a)	3 (a)	0.006	BR0006	15	25.0 (b)

NOTE: (a) External Heatsink required.

(b) Also used with AC Line Fuse. For AC line fuse rating see manual.

NEMA 4X DC Control and Accessories

1/4 thru 2 Hp 115/230 VAC Single Phase 50/60 Hz.
3 Hp 230 VAC Single Phase 50/60 Hz.

Applications: Constant torque, new or replacement.

Features: BC154, BCWD140 and BC160 are non-regen controls with reversal by means of switching the armature leads (BCWD140 has a forward/brake/reverse switch mounted). BC254 is a line regenerative SCR control that can drive the motor to a timed stop. BC354 is a PWM control that provides low-ripple DC power to the motor allowing more Hp when used with a 130 or 260 VDC motor. All offer a choice of armature or tachometer feedback and a speed or torque mode. No Hp resistors are needed for these controls, current is jumper selectable. BC154, BC160, BC254 and BC354 are painted white and come with a start-stop switch. BCWD140 comes with white epoxy paint and also forward/brake/reverse and run-jog switches. See specification pages at the end of this section for details.



BC154 / BC160 / BCWD140 / BC354

Hp Range	Catalog Number	Description Input Voltage / Max. Hp	List Price	Mult. Sym.	Ap'x. Shpg. Wgt.	Input Voltage
NEMA 4X SCR						
1/4-2	BC154	Standard model - 120V - 1 Hp, 230V - 2 Hp	467	E9	5	115/230
	BC154-P	BC154 with POWER SWITCH instead of START/STOP SW.	467	E9	5	115/230
	BC154-R	BC154 with BC156 - FBR Switch factory installed	616	E9	5	115/230
	BC154-SI	BC154 with BC145 Signal Isolator Board and BC158 Auto/Man Switch kit factory installed	751	E9	5	115/230
3	BC160	120V - 1.5 Hp, 230V - 3 Hp	537	E9	3	115/230
NEMA 4X Washdown Duty SCR						
1/4-2	BCWD140	120V - 1 Hp, 230V - 2 Hp	625	E9	6	115/230
NEMA 4X Washdown Duty Line Regen SCR						
1/8-2	BC254	120V - 1 Hp, 230V - 2 Hp ^(a)	673	E9	5	115/230
	BC254-FBR	BC254 with BC253 FWD-BRAKE-REV switch factory installed	706	E9	5	115/230
NEMA 4X Washdown Duty PWM DC ^(b)						
1/4-2	BC354	120V - 1 Hp, 230V - 2 Hp	723	E9	5	115/230

NOTE: ^(a) See the next page for BC254 accessories.

^(b) Output current is 7.5 amps; Output voltage is 130VDC for 115VAC input - 260VDC for 230VAC input. Motors designed for these voltages will give the best performance.

DC SCR NEMA 4X DC Control Accessories

Catalog Number	Description	List Price	Mult. Sym.	Ap'x. Shpg. Wgt.
BC153	Electronic Forward-Dynamic Brake-Reverse Kit for BC154, BC354	223	E9	1
BC156	Mechanical Forward-Dynamic Brake-Reverse Switch for BC154, BC354	145	E9	1
BC157	Run/Jog switch for BC154 & BC160, BC354	27	E9	1
BC158	Auto/Manual Installation Kit for BC145 signal isolator for BC154, BC160, BC354	60	E9	1
BC159	AC Line Switch Kit for BC154, BCWD140, BC254, BC354	32	E9	1
BC145	Signal Isolator Board	211	E9	1

NOTE: BC159 AC Line Switch Kit is factory installed on BC154, BCWD140, BC254 and BC354. Listed here as replacement or spare parts.

Definite Purpose Motors

Unit Handling Motors

Brake Motors

200 & 575 Volt Motors

IEC Frame Motors

50 Hertz Motors

Inverter/Vector Motors & Controls

DC Motors and Controls

Soft Starters

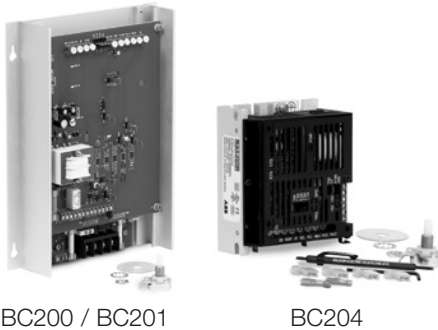
Gearmotors and Gear Products

Line Regenerative DC Controls and Accessories

1/4 thru 3 Hp 5 Hp 115/230 VAC 230 VAC Single Phase 50/60 Hz. Single Phase 50/60 Hz.

Applications: Frequent start/stop/reverse applications or where controlled braking is required.

Features: Single phase line regenerative open chassis control to operate permanent magnet or wound field DC motors. These line regen controls are ideal for applications with overhauling loads. In torque mode, it can be used for tensioning applications. Several accessory boards are available to further customize the control. Includes 5k speed potentiometer. Jumper selectable current settings.



BC200 / BC201

BC204

Hp Range	Catalog Number	Description Input Voltage / Max. Hp	List Price	Mult. Sym.	Ap'x. Shpg. Wgt.	Input Voltage
Line Regen SCR						
1/8-2 (a)	BC204	120V 1 Hp, 230V 2 Hp, Standard Model	377	E9	3	115/230
	BC204-BPSI	BC204 with BC215 Bi-polar Signal Isolator factory installed	487	E9	3	
1/4-2	BC200	120V 1 Hp, 230V 2 Hp	704	E9	4	115/230
1/4-3	BC201	120V 1-1/2 Hp, 230V 3 Hp	836	E9	1	115/230
5	BC203	230V 5Hp	1,052	E9	10	230
NEMA 4X Washdown Duty Line Regen SCR						
1/8-2	BC254	120V - 1Hp, 230V - 2Hp Standard Model	673	E9	5	115/230
	BC254-FBR	BC254 with Power On/Off switch instead of Start/ Stop switch, and BC253. Forward-Brake-Reverse switch factory installed	706	E9	5	115/230

NOTE: (a) 1 Hp at 115 volts and 2 Hp at 230 volts requires BC143 heatsink kit.

Line Regenerative DC Control Accessories

Catalog Number	Description	List Price	Mult. Sym.	Ap'x. Shpg. Wgt.
Accessories for BC200, BC201 and BC203				
BC212	Bipolar signal isolator board	216	E9	1
Accessories for BC204				
BC143	External Heatsink Kit	72	E9	2
BC215	Bipolar signal isolator board	100	E9	3
BC216	Multispeed board for BC204	77	E9	1
BC218	DIN rail mounting kit	36	E9	1
Accessories for BC254				
BC245	Bipolar signal isolator for BC254	213	E9	1
BC253	Forward-Stop-Brake-Reverse Switch for BC254	27	E9	1
BC258	Auto-manual Switch for BC254	60	E9	1
BC259	AC Line Switch for BC254	27	E9	5

Definite Purpose Motors

Unit Handling Motors

Brake Motors

200 & 575 Volt Motors

IEC Frame Motors

50 Hertz Motors

Inverter/Vector Motors & Controls

DC Motors and Controls

Soft Starters

Gearmotors and Gear Products

NEMA Enclosed DC Control Specifications

Features	Catalog Number											
	BC138		BC139		BC140 or BC140-FBR		BC154		BC160		BCWD140	
Enclosure	NEMA 1		NEMA 1		NEMA 1		NEMA 4X		NEMA 4X		NEMA 4X Washdown	
Control Type	NEMA K		NEMA K		NEMA K		NEMA K		NEMA K		NEMA K	
AC Line Input	115		230		115 230		115 230		230		115 230	
DC Armature Voltage Nominal	90		180		90 180		90 180		180		90 180	
Shunt Field Power Supply Voltage - DC	50/100		100/200		50/100 100/200		50/100 100/200		100/200		50/100 100/200	
Rated Horsepower Range	1/100 - 1/3		1/50-3/4		1/100-1 1/50-2		1/50-1 1/25-2		3		1/50-1 1/25-2	
External Heat Sink (BC143) Required	No		No		1 Hp 2Hp		Not Required		Not Required		Not Required	
Speed Range (Motor May Be 20: 1 Constant Torque)	50:1		50:1		50:1		50:1		50:1		50:1	
Adjustable Acceleration Time	Yes		Yes		Yes		Yes		Yes		Yes	
Adjustable Deceleration Time	Yes		Yes		Yes		Yes		Yes		Yes	
Minimum Speed Adjustable	Yes		Yes		Yes		Yes		Yes		Yes	
Maximum Speed Adjustable	Yes		Yes		Yes		Yes		Yes		Yes	
Current Limit Adjustable	Yes		Yes		Yes		Yes		Yes		Yes	
Adjustable Current Limit and Trip Out Type	No		No		No		Timed or Non-Timed		Timed or Non-Timed		Timed or Non-Timed	
Control Of Speed or Torque	Speed		Speed		Speed		Speed or Torque		Speed or Torque		Speed or Torque	
IR Compensation Adjustable	Yes		Yes		Yes		Yes		Yes		Yes	
Tachometer Feedback Input	No		No		No		Yes		Yes		Yes	
Plug-In Horsepower Resistor ®	Required		Required		Required		N/A		N/A		N/A	
UL & cUL Listing, CE	Yes		Yes		Yes		Yes		Yes		Yes	
AC Line Fuse	Included		Included		Included		External		External		External	
DC Armature Fuse	Included with Hp Resistor		Included with Hp Resistor		Included with Hp Resistor		Not Supplied with Control		External		Not Supplied with Control	
Options												
AC Line Switch	Standard		Standard		Standard		Opt - BC159		No		Standard	
Forward/Brake/Reverse Switch	No		No		Opt-BC144		Opt-BC156		No		Standard	
Mechanical	No		No		No		Opt-BC153		No		Opt-BC153	
Electronic	No		No		No		Opt-BC157		Opt-BC157		Standard	
Run/Jog Switch	No		No		No		Opt-BC157		Opt-BC157		Standard	
Input Signal	No		No		External Mount Opt-BC145		Internal Mount Opt-BC145		Internal Mount Opt-BC145		Internal Mount Opt-BC145	
Following Mode Capability Current (1-5, 4-20, 20-50mA)	No		No		Opt-BC145		(0-5, 0-10 VDC) input standard		(0-5, 0-10 VDC) input standard		(0-5, 0-10 VDC) input standard	
Voltage (0-25,0-120, 0-550 VDC)	No		No		Opt-BC145		(0-5, 0-10 VDC) input standard		(0-5, 0-10 VDC) input standard		(0-5, 0-10 VDC) input standard	
Electrical Connection To Control Barrier Terminal Block	Standard		Standard		Standard		Standard		Standard		Standard	
Current Sensing Relay/Overload Protector	No		No		Opt - BC146 External Mount		Standard		Standard		Standard	
AC Line Filter for CE	Opt-BC24-LF		Opt-BC24-LF		Opt-BC24-LF		Opt-BC24-LF		Opt-BC24-LF		Opt-BC24-LF	

Definite Purpose Motors

Unit Handling Motors

Brake Motors

200 & 575 Volt Motors

IEC Frame Motors

50 Hertz Motors

Inverter/Vector Motors & Controls

DC Motors and Controls

Soft Starters

Gearmotors and Gear Products

Chassis Mount DC Control Specifications

Features	Catalog Number								
	BC141	BC142	BC142-6	BC155	BC204	BC200	BC201	BC203	
Enclosure	Chassis	Chassis	Chassis	Chassis	Chassis	Chassis	Chassis	Chassis	
Control Type	NEMA K	NEMA K	NEMA K	NEMA K	Regenerative	Regenerative	Regenerative	Regenerative	
AC Line Input	115	230	115 230	230	115 230	115 230	115 230	230	
DC Armature Voltage Nominal	90	180	90 180	180	90 180	90 180	90 180	180	
Shunt Field Power Supply Voltage - DC	50/100	100/200	50/100 100/200	50/100 100/200	50/100 100/200	50/100 100/200	100/200	100/200	
Rated Horsepower Range	1/100-1.5	1/50-3	1/100-1 1/2 1/50-3	5	1/8-1 1/4-2	1/4-1 1/2-2	1/4-1-1/2 1/2-3	5	
External Heat Sink (BC143) Required	1 Hp-Up	2 Hp-Up	1/2 Hp-Up 1 Hp-Up	Not Required	90V-1Hp 180V-2Hp	Not Required	Not Required	Not Required	
Speed Range (Motor may be 20:1 Constant Torque)	50:1	50:1	50:1	50:1	50:1	50:1	50:1	50:1	
Adjustable Acceleration	Yes	Yes	Yes	Yes	Yes Fwd & Rev	Yes Fwd & Rev	Yes Fwd & Rev	Yes Fwd & Rev	
Adjustable Deceleration	Yes	Yes	Yes	Yes	Regen	Regen	Regen	Regen	
Min. Speed Adjustable	Yes	Yes	Yes	Yes	No	No	No	No	
Max. Speed Adjustable	Yes	Yes	Yes	Yes	Yes	Yes	Yes	Yes	
Adjustable Current	Non	Non	Non	Non	Non	Timed	Timed	Timed	
Limit and Tripout Type	Timed	Timed	Timed	Timed	Timed	Timed	Timed	Timed	
Control of Speed or Torque	Speed	Speed	Speed	Speed Torque	Speed or Torque	Speed or Torque	Speed or Torque	Speed	
IR Compensation Adjustment	Yes	Yes	Yes	Yes	Yes	Yes	Yes	Yes	
Tachometer Feedback Input	Yes	Yes	Yes	Yes	Yes	Yes	Yes	Yes	
Plug-in Horsepower Resistor®	Required	Required	Required	N/A	N/A	N/A	N/A	N/A	
UL & cUL Listing, CE	Yes	Yes	Yes	Yes	Yes	Yes	Yes	Yes	
AC Line Fuse	Included	Included	Included	External	External	Included	Included	External	
DC Armature Fuse	Included with Hp Resistor	Included with Hp Resistor	Included with Hp Resistor	Included with Hp Resistor	External	N/A	N/A	External	

Options

Input Signal Following Mode Capability

Current (4-20 mA)	Plug on Mount Opt-BC152	Plug on Mount Opt-BC152	Plug on Mount Opt-BC152	External Mount Opt-BC145	No	No	No	No
Current (1-5, 4-20, 20-50 mA)	External Mount Opt-BC145	External Mount Opt-BC145	External Mount Opt-BC145	Opt-BC145	No	No	No	No
Input Signal Voltage (must be isolated)	0-9 VDC Standard	0-9 VDC Standard	0-9 VDC Standard	0-9 VDC Standard	0 to ± 10 VDC Standard	0 to ± 10 VDC Standard	0 to ± 10 VDC Standard	0 to ± 10 VDC Standard
Voltage (0-5, 0-10, 0-100, 0-200, VDC)	Plug on Mount Opt-BC152	Plug on Mount Opt-BC152	Plug on Mount Opt-BC152	External Mount Opt-BC145	±5 to ±25 VDC Opt-BC215	±25 to ±250 VDC Opt-BC212	±25 to ±250 VDC Opt-BC212	±25 to ±250 VDC Opt-BC212
Voltage (0-25, 0-120, 0-550 VDC)	External Mount Opt-BC145	External Mount Opt-BC145	External Mount Opt-BC145	Opt-BC145	Opt-BC215	Opt-BC212	Opt-BC212	Opt-BC212
Electrical Connection To Control	Standard	Standard	Standard	No	Standard	No	No	No
Push-On Quick Connects Barrier Terminal Block	Opt-BC147	Opt-BC147	Opt-BC147	Standard	N/A	Standard	Standard	Standard
Current Sensing Relay/ Overload Protector	Opt-BC146	Opt-BC146	Opt-BC146	Opt-BC146	N/A	Standard	Standard	No Standard
Regenerative Accel / Decel Board	No	No	No	No	No	Opt - BC211	Opt - BC211	Opt - BC211
AC Line Filter for CE	Opt-BC24-LF	Opt-BC24-LF	Opt-BC24-LF	Opt-BC24-LF	Opt-BC24-LF	Opt-BC24-LF	Opt-BC24-LF	Opt-BC24-LF

Definite Purpose
Motors

Unit Handling
Motors

Brake Motors

200 & 575 Volt
Motors

IEC Frame
Motors

50 Hertz
Motors

Inverter/Vector
Motors & Controls

DC Motors
and Controls

Soft Starters

Gearmotors and
Gear Products

DCS800-EP DC Panel Drive

5 thru 150 Hp
10 thru 600 Hp

230 Vac
460 Vac

3 Phase - 50/60 Hz
3 Phase - 50/60 Hz

Applications: Constant torque applications. New installations, replacements and original equipment manufacturers (OEM).

Features: DC drive power module and associated system components mounted and wired on a sub-panel, ready to be installed in an industrial enclosure. Includes fuses, control transformer and contactor as standard. Blower motor starter, circuit breaker and line reactor available as modifications. Removable keypad can be door-mounted for operator interface and local speed control. Programming by groups makes it easy to navigate and find parameters. A quick start assistant and included PC software DriveWindows Light enables users to program and start using the drive in minutes without need for a User Manual.

FlexPak 3000 Replacement: Designed to easily replace a Reliance Electric® FlexPak® 3000 DC Drive.

NOTE: RDIO-01 Digital I/O Extension Module is recommended with FlexPak 3000 replacements.



Input Ratings	Input Voltage range	230 VAC (with +S235), 460 VAC
	Input Voltage tolerance	±10%
	Phase	3 Phase
	Frequency	50 Hz ±2%, 60 Hz ±2%
	Short circuit rating (UL 508a)	65,000 rms symmetrical Amperes
Performance Features	Accel/decel	0.01 to 30,000 sec
	Digital inputs / outputs	8 / 7 plus 1 relay output
	Analog inputs / outputs	4 plus tachometer / 2
	Feedback	Tachometer and digital encoder
Output Ratings	Horsepower	10-600 HP @ 460 VAC, 3 PH; 5-150 HP @ 230 VAC, 3 PH
	Overload capacity: 10-500 HP	150% for 60 seconds every 15 minutes
	Overload capacity: 600 HP	110% for 60 seconds every 10 minutes
	Motor types	DC wound-field motors, DC series-wound motors (manual tuning only)
	Armature Output Voltage	2Q (EP1): 0 to 1.15 * input voltage; 4Q (EP2): 0 to 1.03 * input voltage
	Armature Current	See rating tables and/or hardware manual
Field Ratings	Field Type	Internal, current controlled, full wave half controlled thyristor/diode bridge
	Field Input Voltage	3 phase, internally fused (shares armature line power)
	Field Output Voltage	0 to 1.35 * input voltage
	Field Output current	D1: 0.3 to 6 A; D2: 0.3 to 15 A; D3: 0.3 to 20 A; D4: 0.3 to 25 A
Protective Features	Armature overvoltage	Armature Voltage exceeds limit
	Armature overcurrent	Armature current exceeds limit
	Armature current rise maximum	Change in armature current exceeds limit
	Field undercurrent	Field current below minimum limit
	Field overcurrent	Field current exceeds limit
	Motor thermal protection	Actual or estimated motor temperature exceeds limit
	External fault & alarm	Rising or falling edge of digital input triggers alarm or fault
	Speed feedback monitor	Compares actual speed to speed measured by motor EMF
	Motor overspeed	Motor speed exceeds limit
	Current ripple	Amplitude of AC current component of DC armature current exceeds limit
	Input Voltage monitor	Line voltage above or below normal range
	Local control loss (panel loss)	Loss of signal from control panel while panel is speed reference
	Communication control loss	Loss of signal from fieldbus (e.g., Ethernet IP) while fieldbus is speed reference
	Environmental	Temperature
Cooling		Forced air
Enclosure		UL Type Open (IP00)
Altitude		Sea level to 3300 ft (1000m); up to 6600 ft (2000m) derate 1% per 330 ft (100m); up to 10,000 ft (3000m) contact ABB
Humidity		5% to 95% RH non-condensing down to 5°C; 5% to 50% RH non-condensing 0° to 5° C
Vibration		1.5mm @ 2 to 9 Hz, 0.5g @ 9 to 200 Hz
Digital Encoder	Shock	7 g / 22 msec
	Encoder Voltage supply	5 VDC @ 250 mA max; 24 VDC @ 200 mA max (default is 5 VDC selected via S4 jumper)
	Encoder mode	Single ended or differential (default is differential selected via S4 jumper)
	Signal sensitivity	5 VDC or 12/24 VDC
	Maximum input frequency	300 kHz

Analog Inputs	AI1 & AI2 Voltage config	-10 Vdc to +10 Vdc, Input Resistance RI = 200 kOhms
	AI1 & AI2 current config	0 to 20 mA, Input Resistance RI = 250 Ohms
	AI3 & AI4 Voltage only	-10 Vdc to +10 Vdc, Input Resistance RI = 200 kOhms
	Analog tachometer	±8 to 30Vdc, ±30 to 90Vdc, ±90 to 270Vdc
	Common mode range	±15 V
	Resolution	15 bit + sign bit
	Input update time	AI1 & AI2 = 2.8 msec; AI3 & AI4 = 5 msec
Analog Outputs	Two (2) programmable Voltage	-10 Vdc to +10 Vdc, maximum load of 5 mA
	One (1) dedicated armature current output	4 Vdc = 325% of rated motor current entered in Parm 99.03
	Resolution	11 bit + sign bit
	Output update time	5 msec
Digital Inputs	Eight (8) digital inputs	24 Vdc, (-15%) to max of 48 Vdc
	Logical switch thresholds	Below 7.3 Vdc = status "0"; above 7.5 Vdc = status "1"
	Input current	5 mA
	Filter time constant	2 msec
	Input update time	DI1 to DI6 = 5 msec, DI7 & DI8 = 2.8 msec
	Internal 24 Vdc for digital inputs	24 Vdc, 125 mA, short circuit proof; external 24 Vdc allowed
Digital Outputs	Seven (7) Digital Outputs	Transistor for signal driving only
	Signal level	Status 1 = 22 Vdc at no load
	Output updating time	2.8 msec
Relay Output	One (1) relay output	Normally open (NO) factory set for AC line contactor control
	Maximum switching current	3 A at 24 Vdc or 115/230 Vac; 0.3 A at 120 Vdc
	Isolation test voltage	4 kVac, 1 minute
	Output updating time	2.8 msec

Reliance Electric® and FlexPak® 3000 are registered trademarks of Rockwell Automation, Inc.

DCS800-EP - Ratings & Pricing

DCS800-EP - 230V, 50/60Hz, 3-Phase UL Type Open

Type	Catalog Number	Frame	Horsepower	Input Current (Amps RMS)	Output Armature Current (Amps DC)	Output Field Current (Amps DC)	List Price	Mult. Sym.
Non-Reversing (2Q)	DCS800-EP1-0020-05+S235	A	5	16	20	6	5,450	EM
Non-Reversing (2Q)	DCS800-EP1-0045-05+S235	A	10	30	37	6	5,704	EM
Non-Reversing (2Q)	DCS800-EP1-0065-05+S235	A	15	44	54	6	6,141	EM
Non-Reversing (2Q)	DCS800-EP1-0090-05+S235	A	20	58	71	6	6,733	EM
Non-Reversing (2Q)	DCS800-EP1-0125-05+S235	A	30	85	105	6	7,114	EM
Non-Reversing (2Q)	DCS800-EP1-0180-05+S235	B	30	102	125	15	8,539	EM
Non-Reversing (2Q)	DCS800-EP1-0230-05+S235	B	60	168	206	15	9,950	EM
Non-Reversing (2Q)	DCS800-EP1-0315-05+S235	B	75	208	255	20	10,796	EM
Non-Reversing (2Q)	DCS800-EP1-0405-05+S235	C	100	278	341	20	16,721	EM
Non-Reversing (2Q)	DCS800-EP1-0470-05+S235	C	125	347	425	20	18,096	EM
Non-Reversing (2Q)	DCS800-EP1-0610-05+S235	C	150	413	506	25	19,340	EM
Reversing (4Q)	DCS800-EP2-0025-05+S235	A	5	16	20	6	6,155	EM
Reversing (4Q)	DCS800-EP2-0050-05+S235	A	10	30	37	6	6,409	EM
Reversing (4Q)	DCS800-EP2-0075-05+S235	A	15	44	54	6	6,846	EM
Reversing (4Q)	DCS800-EP2-0100-05+S235	A	20	58	71	6	7,580	EM
Reversing (4Q)	DCS800-EP2-0140-05+S235	A	30	85	105	6	7,961	EM
Reversing (4Q)	DCS800-EP2-0200-05+S235	B	50	143	175	15	10,655	EM
Reversing (4Q)	DCS800-EP2-0260-05+S235	B	60	168	206	15	11,078	EM
Reversing (4Q)	DCS800-EP2-0350-05+S235	B	75	208	255	20	11,924	EM
Reversing (4Q)	DCS800-EP2-0450-05+S235	C	100	278	341	20	20,335	EM
Reversing (4Q)	DCS800-EP2-0520-05+S235	C	125	347	425	20	22,170	EM
Reversing (4Q)	DCS800-EP2-0680-05+S235	C	150	413	506	25	25,967	EM

DCS800-EP - 460V, 50/60Hz, 3-Phase UL Type Open

Type	Catalog Number	Frame	Horsepower	Input Current (Amps RMS)	Output Armature Current (Amps DC)	Output Field Current (Amps DC)	List Price	Mult. Sym.
Non-Reversing (2Q)	DCS800-EP1-0020-05	A	10	14	17	6	5,375	EM
Non-Reversing (2Q)	DCS800-EP1-0045-05	A	20	29	35	6	5,629	EM
Non-Reversing (2Q)	DCS800-EP1-0065-05	A	30	43	53	6	6,066	EM
Non-Reversing (2Q)	DCS800-EP1-0090-05	A	40	55	68	6	6,658	EM
Non-Reversing (2Q)	DCS800-EP1-0125-05	A	60	85	104	6	7,039	EM
Non-Reversing (2Q)	DCS800-EP1-0180-05	B	75	102	125	15	8,464	EM
Non-Reversing (2Q)	DCS800-EP1-0230-05	B	125	167	205	15	9,875	EM
Non-Reversing (2Q)	DCS800-EP1-0315-05	B	150	200	245	20	10,721	EM
Non-Reversing (2Q)	DCS800-EP1-0405-05	C	200	265	325	20	16,646	EM
Non-Reversing (2Q)	DCS800-EP1-0470-05	C	250	330	405	20	18,021	EM
Non-Reversing (2Q)	DCS800-EP1-0610-05	C	300	392	480	25	19,265	EM
Non-Reversing (2Q)	DCS800-EP1-0740-05	D	400	522	640	25	25,561	EM
Non-Reversing (2Q)	DCS800-EP1-0900-05	D	500	649	795	25	27,213	EM
Reversing (4Q)	DCS800-EP2-0025-05	A	10	14	17	6	6,080	EM
Reversing (4Q)	DCS800-EP2-0050-05	A	20	29	35	6	6,334	EM
Reversing (4Q)	DCS800-EP2-0075-05	A	30	43	53	6	6,771	EM
Reversing (4Q)	DCS800-EP2-0100-05	A	40	55	68	6	7,505	EM
Reversing (4Q)	DCS800-EP2-0140-05	A	60	85	104	6	7,886	EM
Reversing (4Q)	DCS800-EP2-0200-05	B	100	134	164	15	10,580	EM
Reversing (4Q)	DCS800-EP2-0260-05	B	125	167	205	15	11,003	EM
Reversing (4Q)	DCS800-EP2-0350-05	B	150	200	245	20	11,849	EM
Reversing (4Q)	DCS800-EP2-0450-05	C	200	265	325	20	20,260	EM
Reversing (4Q)	DCS800-EP2-0520-05	C	250	330	405	20	22,095	EM
Reversing (4Q)	DCS800-EP2-0680-05	C	300	392	480	25	25,892	EM
Reversing (4Q)	DCS800-EP2-0820-05	D	400	522	640	25	35,899	EM
Reversing (4Q)	DCS800-EP2-1000-05	D	500	649	795	25	37,409	EM
Reversing (4Q)	DCS800-EP2-1010-05 (110% overload for 1 min)	D	600	775	950	25	40,290	EM

Note 1: All drives can supply 150% overload for 1 minute except as noted.

Note 2: The ratings apply at an ambient temperature of 40 °C (104 °F).

Note 3: 2Q drives CANNOT decelerate a load or power motors in the reverse direction.

Note 4: All DCS800-EP panel drives require a 1 to 5 pct. impedance line reactor or dedicated isolation transformer.

Definite Purpose Motors

Unit Handling Motors

Brake Motors

200 & 575 Volt Motors

IEC Frame Motors

50 Hertz Motors

Inverter/Vector Motors & Controls

DC Motors and Controls

Soft Starters

Gearmotors and Gear Products

DCS800-EP Modifications

The modifications listed below can be ordered by adding the modification number to the end of the drive type code preceded by a plus sign. Example: DCS800-EP1-0020-05+E213+OF250. The modification codes should be listed in alphabetical order.

E213

Internal Line Reactor

AC line reactor mounted and wired in the DCS800-EP drive panel. 1.5% impedance at 480 Vac. Increases depth by 5.5 inches on B frame only. NOTICE: An AC Line reactor (1 to 5 pct. impedance) or dedicated isolation transformer is required for each DCS800-EP drive.

Frame	Drive Depth Without Reactor	Drive Depth With Reactor	List Price Per Drive	Mult. Sym.
A	14.4" (366mm)	14.4" (366mm)	See below	EM
B	13.8" (351mm)	19.3" (491)	See below	EM
C	-	-	Supplied By Others	EM
D	-	-	Supplied By Others	EM

F278

Circuit Breaker

ABB Tmax circuit breaker, mounted and wired. Breaker can be used as a disconnect and provide 300% instantaneous overload current protection.

OF250

Without AC Line Contactor

This modification deletes the AC line contactor. This allows for an existing DC motor contactor to be used instead. (Supplied by others.)

Non-Reversing	Reversing	Panel Frame	List Price Per Drive F278 Circuit Breaker	List Price Per Drive OF250 Without AC Contactor	List Price Per Drive E213 Internal Line Reactor	Mult. Sym.
DCS800-EP1-0020-05	DCS800-EP2-0025-05	A	863	(71)	593	EM
DCS800-EP1-0045-05	DCS800-EP2-0050-05	A	863	(99)	639	EM
DCS800-EP1-0065-05	DCS800-EP2-0075-05	A	863	(158)	670	EM
DCS800-EP1-0090-05	DCS800-EP2-0100-05	A	863	(190)	722	EM
DCS800-EP1-0125-05	DCS800-EP2-0140-05	A	1,007	(222)	1,273	EM
DCS800-EP1-0180-05	-	B	1,952	(262)	1,435	EM
-	DCS800-EP2-0200-05	B	1,952	(465)	1,993	EM
DCS800-EP1-0230-05	DCS800-EP2-0260-05	B	1,952	(465)	2,117	EM
DCS800-EP1-0315-05	DCS800-EP2-0350-05	B	2,978	(465)	2,117	EM
DCS800-EP1-0405-05	DCS800-EP2-0450-05	C	3,526	(973)	-	EM
DCS800-EP1-0470-05	DCS800-EP2-0520-05	C	5,684	(1,094)	-	EM
DCS800-EP1-0610-05	DCS800-EP2-0680-05	C	5,684	(1,094)	-	EM
DCS800-EP1-0740-05	DCS800-EP2-0820-05	D	7,081	(1,391)	-	EM
DCS800-EP1-0900-05	DCS800-EP2-1000-05	D	7,081	(1,609)	-	EM
-	DCS800-EP2-1010-05	D	10,580	(2,780)	-	EM

M6

Blower motor starter

For control of the blower used to cool the DC motor. Includes contactor, thermal overload relay and fusing. Select the rating based on the current rating of the blower motor.

Frame	Modification Number	Overload Rated Amps - Minimum	Overload Rated Amps - Maximum	List Price Per Drive	Mult. Sym.
A or B	M635	1.0	1.3	619	EM
A or B	M636	1.3	1.7	619	EM
A or B	M637	1.7	2.3	619	EM
A or B	M638	2.3	3.1	619	EM
A or B	M639	3.1	4.2	619	EM
A or B	M640	4.2	5.7	619	EM
A or B	M641	5.7	7.6	619	EM
C or D	M611	1.3	1.8	746	EM
C or D	M612	1.7	2.1	746	EM
C or D	M613	2.2	3.1	746	EM
C or D	M614	2.8	4.0	746	EM
C or D	M615	3.5	5.0	746	EM
C or D	M616	4.5	6.5	746	EM
C or D	M617	6.0	8.5	746	EM
C or D	M618	7.5	11.0	746	EM
C or D	M619	10.0	14.0	746	EM
C or D	M620	13.0	19.0	746	EM
C or D	M621	18.0	25.0	746	EM
C or D	M622	24.0	32.0	746	EM
C or D	M623	29.0	42.0	746	EM

DCS800-EP Modifications Continued

S235

230 Vac Supply

This modification adjusts the panel drive to operate from a 230 Vac 3 phase power source.

Frame	List Price Per Drive	Mult. Sym.
A	75	EM
B	75	EM
C	75	EM
D	Not Available	EM

DCS800-EP Option Kits

Catalog Number	Name		List Price	Mult. Sym.
230 Vac Supply	230 Vac conversion kit	This field kit will allow you to convert a DCS800-EP frame A, B, or C panel drive to operate from a 3-phase 230Vac power source. Not available for frame D. NOTE: If ordering with a drive, use modification code +S235 instead	75	EM
AIMA-01	I/O Extension Adapter	The I/O extension adapter adds support for 3 additional (R) type adapters for the DCS800. This module is mounted by the user external from the drive unit. Adapter is DIN rail mountable . The SDCS-COM-8x is required for support of this option.	730	EM
DCF803-0016	External field supply - 16 Adc	Externally mounted, half controlled 1-phase or 3-phase field exciter with single quadrant operation - 16 Adc. Requires input line reactor, DSL communication cable and SDCS-DSL-4 module.	1,073	EM
DCF803-0035	External field supply - 35 Adc	Externally mounted, half controlled 1-phase or 3-phase field exciter with single quadrant operation - 35 Adc. Requires input line reactor, DSL communication cable and SDCS-DSL-4 module.	1,633	EM
DCF803-0050	External field supply - 50 Adc	Externally mounted, half controlled 1-phase field exciter with single quadrant operation - 50 Adc. Requires DSL communication cable and SDCS-DSL-4 module.	2,226	EM
DCF803-0060	External field supply - 60 Adc	Externally mounted, half controlled 1-phase field exciter with single quadrant operation - 60 Adc. Requires DSL communication cable and SDCS-DSL-4 module.	2,669	EM
DCF804-0050	External field supply for field reversal - 50 Adc	Externally mounted, half controlled 1-phase field exciter with four quadrant operation - 50 Adc. Requires DSL communication cable and SDCS-DSL-4 module.	2,602	EM
DCF804-0060	External field supply for field reversal - 60 Adc	Externally mounted, half controlled 1-phase field exciter with four quadrant operation - 60 Adc. Requires DSL communication cable and SDCS-DSL-4 module.	3,112	EM
DCS800 Democase	Demo Case	Powered by 115VAC, the DCS800 Democase includes a DCS800 frame D1 drive mounted in a traveling case with wheels and handles. Includes a motor with analog tachometer and SDCS-COM-81 module.	5,795	EM
DCS800 Democase Light	Demo Case Light	This unit is a DCS800 DC drive controller mounted inside a compact brief case. It is light and easy to carry and can demonstrate most of the features of the DC drive, including: <ul style="list-style-type: none"> • Simulated speed feedback • Interface with Drive Window and Drive Window Light • Adaptive programming • Control panel assistants • Fieldbus interface • Start up assistant (except autotune) 	2,590	EM
DCS800-DSL, Cable P5M	DSL Communication Cable, 0.5M	Network cable for communication from DCS800 to an external field power supply or another DCS800 drive. DSL-4 board is required. 0.5m length.	140	EM
DCS800-DSL, Cable 2M	DSL Communication Cable, 2M	Network cable for communication from DCS800 to an external field power supply or another DCS800 drive. DSL-4 board is required. 2m length.	140	EM
DCS800-DSL, Cable 4M	DSL Communication Cable, 4M	Network cable for communication from DCS800 to an external field power supply or another DCS800 drive. DSL-4 board is required. 4m length.	175	EM
DCS800-DSL, Cable 10M	DSL Communication Cable, 10M	Network cable for communication from DCS800 to an external field power supply or another DCS800 drive. DSL-4 board is required. 10m length.	222	EM
DCS800-DSL, Cable 20M	DSL Communication Cable, 20M	Network cable for communication from DCS800 to an external field power supply or another DCS800 drive. DSL-4 board is required. 20m length.	280	EM
DCS-CP-EP	Control Panel	DCS800-EP Control Panel - included with every drive	230	EM
FEA-01	Resolver interface adapter	Required for use of the FEN-21 resolver interface module	465	ES
FEN-21	Resolver interface module	The FEN-21 resolver interface module offers an improved speed feedback signal compared to the RRIA-01. It should be selected for all applications that require speed feedback from the resolver. The FEA-01 DIN-rail extension adapter is required for mounting the FEN-21 to your panel. FEA-01 converts the signal to fiber optics which is connected to channel 1 of the DCS800's COM-8x board. ALSO REQUIRED: FEA-01, fiber optic cable; SDCS-COM-8x; (24 Vdc power supplied by others).	465	ES

DCS800-EP Option Kits Continued

Catalog Number	Name		List Price	Mult. Sym.
FO NLWC-02	Single plastic fiber optic, Qty 2, 2m	Plastic fiber optic for DDCS communications. Requires SDCS-COM-81 or SDCS-COM-82 communication module. Set of two single conductors, 2m length.	91	EM
FO NLWC-03	Single plastic fiber optic, Qty 2, 3m	Plastic fiber optic for DDCS communications. Requires SDCS-COM-81 or SDCS-COM-82 communication module. Set of two single conductors, 3m length.	117	EM
FO NLWC-05	Single plastic fiber optic, Qty 2, 5m	Plastic fiber optic for DDCS communications. Requires SDCS-COM-81 or SDCS-COM-82 communication module. Set of two single conductors, 5m length.	140	EM
FO NLWC-07	Single plastic fiber optic, Qty 2, 7m	Plastic fiber optic for DDCS communications. Requires SDCS-COM-81 or SDCS-COM-82 communication module. Set of two single conductors, 7m length.	163	EM
FO NLWC-10	Single plastic fiber optic, Qty 2, 10m	Plastic fiber optic for DDCS communications. Requires SDCS-COM-81 or SDCS-COM-82 communication module. Set of two single conductors, 10m length.	208	EM
FO Twin Fiber Opt. CA 0,5 M	Double plastic fiber optic, Qty 1, 0.5m	Plastic fiber optic for DDCS communications. Requires SDCS-COM-81 or SDCS-COM-82 communication module. Double conductor, 0.5m length.	140	EM
FO Twin Fiber Opt. CA 2,0 M	Double plastic fiber optic, Qty 1, 2m	Plastic fiber optic for DDCS communications. Requires SDCS-COM-81 or SDCS-COM-82 communication module. Double conductor, 2m length.	172	EM
FO Twin Fiber Opt. CA 5,0 M	Double plastic fiber optic, Qty 1, 5m	Plastic fiber optic for DDCS communications. Requires SDCS-COM-81 or SDCS-COM-82 communication module. Double conductor, 5m length.	241	EM
FO Twin Fiber Opt. CA 10 M	Double plastic fiber optic, Qty 1, 10m	Plastic fiber optic for DDCS communications. Requires SDCS-COM-81 or SDCS-COM-82 communication module. Double conductor, 10m length.	289	EM
NETA-01	Internet adapter	The NETA-01 Ethernet Adapter module is an optional device for browser-based remote monitoring of ABB drives via Ethernet. Multiple drives (up to 9) can be connected to the network through the DDCS Branching Unit (NDBU-85/95) or using ring topology with the NETA-01 Ethernet Adapter module.	1,550	EM
OPMP-01	Panel mounting platform	Control Panel Mounting Platform allows remote mounting of the DCS800-CP-P on an enclosure or remote panel. The kit maintains UL Type 12 integrity of the mounting location. Adapters, 3 m (10 ft) cable and mounting hardware are included in this kit. With this mounting arrangement, the keypad is removable from the panel in a fashion identical to a drive-mounted keypad	138	ES
RAIO-01	Analog I/O extension	The Analog I/O Extension module offers two unipolar current (0[4]...20 mA) or bipolar voltage ($\pm 0[2]$...10 V or ± 0 ...2 V) inputs and two unipolar current (0[4]-20 mA) outputs. Analog unipolar inputs are 12 bit resolution. Bipolar inputs are 11 bit resolution. Analog outputs are 12 bit resolution. The analog inputs and outputs are galvanically isolated as a group, from each other and the power supply.	465	ES
RCAN-01	Canbus adapter	The RCAN-01 CANopen adapter module enables the connection of the ABB drive to a CANopen system. CANopen is a higher level protocol based on the CAN (Control Area Network) serial bus system and the CAL (CAN Application Layer). The RCAN-01 fulfills CiA (CAN in Application) standard DSP-402 (Drives and Motion Control), supporting the "Manufacturer Specific" operating mode only. The physical medium of CANopen is a differentially drive two-wire bus line with common return according to ISO 11989. The RCAN-01 supports baud rates of 10 kbits/s to 1 Mbits/s. The module provides DIP-switches for selection of the node number and baud rate. The node number and baud rate can alternatively be set via the control panel of the drive.	595	ES
RCNA-01	ControlNet adapter	The ControlNet network uses a RG-6 quad shielded cable or fiber with support for media redundancy. The RCNA-01 adapter module supports only RG-6 quad shielded cable (coax) for the bus connection. ControlNet is flexible in topology options (bus, tree, star) to meet various application needs. The fieldbus speed is 5 Mbits/s. The RCNA-01 ControlNet Adapter module can not originate connections on its own, but a scanner node can open a connection towards it. The ControlNet protocol is implemented according to the ControlNet international specification for a Communication adapter.	595	ES
RDIO-01	Digital I/O Extension	RECOMMENDED FOR FLEXPAC 3000 REPLACEMENTS. The Digital I/O Extension module offers three digital inputs (24...250 Vdc or 110...230 Vac) and two relay outputs (1250 VA/250 Vac or 5 A/24 Vdc). The isolation voltage between the digital inputs, digital outputs and power supply is 2.5 kV (1.5 kV between DI2 and DI3).	465	EM
RDNA-01	DeviceNet adapter	The DeviceNet network uses a linear bus topology. Terminating resistors are required on each end of the trunk line. Drop lines as long as 6 meters (20 feet) each are permitted, allowing one or more nodes to be attached. DeviceNet allows branching structures only on drop lines.	465	ES
RECA-01	EtherCAT adapter	The adapter module supports the CANopen DSP 402 (Device Profile Drives and Motion Control) profile or the ABB Drives profile. The RECA-01 implements the EtherCAT state machine, four sync manager channels to control the access to the application memory, two watch dogs and specified EtherCAT services, addressing modes and FMMUs.	525	ES

Definite Purpose Motors

Unit Handling Motors

Brake Motors

200 & 575 Volt Motors

IEC Frame Motors

50 Hertz Motors

Inverter/Vector Motors & Controls

DC Motors and Controls

Soft Starters

Gearmotors and Gear Products

DCS800-EP Option Kits Continued

Catalog Number	Name		List Price	Mult. Sym.
RETA-01	Ethernet adapter	The RETA-01 module supports the Modbus/TCP and EtherNet/IP network protocols. Modbus/TCP is a variant of the Modbus family of simple, vendor neutral communication protocols intended for supervision and control of automation equipment. EtherNet/IP is based on the Common Industrial Protocol (CIP), which is also the framework for both the ControlNet and DeviceNet networks. The RETA-01 supports 10/100 Mbps transfer rate with network connection made with standard RJ-45 connectors.	465	ES
RETA-02	PROFINET IO adapter	The RETA-02 module supports both Modbus/TCP and PROFINET IO network protocols. Modbus/TCP is a variant of the Modbus family of simple, vendor neutral communication protocols intended for supervision and control of automation equipment. PROFINET IO is an open standard for industrial ethernet, intended for configuration, supervision and control of automation equipment. The RETA-02 supports 10/100 Mbps transfer rate with network connections made with CAT 5 wiring and RJ-45 connectors. Both star and bus topology options are supported.	465	EM
RMBA-01	Modbus RTU adapter	ModBus is a serial, asynchronous protocol. The ModBus protocol does not specify the physical interface. Typical physical interfaces are RS-232 and RS-485. The RMBA-01 provides a galvanically isolated RS-485 interface. ModBus is designed for integration with Modicon PLCs or other automation devices, and the services closely correspond to the PLC architecture. The RMBA-01 supports the RTU protocol only.	465	EM
RPBA-01	Profibus DP adapter	Profibus is an open serial communication standard that enables data exchange between automation components. The transmission medium of the bus is a twisted pair cable (according to RS-485 standard). The maximum length of the bus cable is 100 to 1200 meters, depending on the transmission rate. Up to 31 stations can be connected to the same PROFIBUS system without use of repeaters.	465	ES
RRIA-01	Resolver interface adapter	The RRIA-01 resolver interface module offers interface for an analog resolver connection. A resolver may be used to obtain accurate speed and position (angle) feedback from a motor shaft. MUST USE FIRMWARE REVISION 3.6 OR ABOVE.	465	EM
RSCM-01	Resolver signal conditioning module	The resolver signal conditioning (RSCM-01) board modifies the voltage of the signal sent to the resolver (R1, R2), which modifies the voltage of the signals coming back (S1, S3, S2, S4). The switch can be set to one of two positions so the return signals are set to the level that is within the voltage range of the RRIA interface board (1.4 – 4.0 Vrms; 2.0 – 5.6 Volts, peak-to-peak).	210	EM
RTAC-01	15 or 24 Vdc encoder	The Pulse Encoder Interface module offers a differential or single ended interface for a digital pulse encoder. The module is capable of operating from either a 15 or 24Vdc signal with a max frequency of 200kHz. When the drive's internal power supply is used to power the encoder, additional options may not be installed. Check the encoder's power supply requirements prior to installation.	465	EM
RTAC-03	24 Vdc TTL encoder	TTL incremental Pulse Encoder Interface module. The module is capable of operating at 24Vdc with a max frequency of 200kHz.	465	EM
RUSB	DriveWindow with USB Hardware	DriveWindow is software designed for online DCS800 drive commissioning and maintenance. Connection to the drive is from the PC's USB port through high speed fiber optic cable. The drive requires an optional SDCS-COM-8x module to support the fiber optic connection. DriveWindow supports Microsoft Windows operating systems (Windows NT4, 2000, XP, Vista & 7). - Parameter editing and monitoring - Upload/download drive parameter files, save and copy - Compare files - Trending up to six signals - Drive Control for commissioning and test - OPC remote access Includes: DriveWindow install CD; USB to DDCS converter; fiber optic cable (10m)	1,944	EM
SDCS-COM-81	Fiber optic interface adapter - STANDARD	STANDARD fiber optic communication interface board • CH 0 - 10Mb - overriding system control (APC2, AC80, etc.) • CH 1 - 5Mb - is used for DDCS I/O extension. AIMA-01 • CH 2 - 10Mb - Master -Follower link (drive to drive) • CH 3 - 10Mb - PC tool such as DriveWindow	768	EM
SDCS-COM-82	Fiber optic interface adapter - NETA only	Fiber optic communication interface board; USED ONLY IN COMBINATION WITH THE NETA-01 • CH 0 - 5Mb - overriding system control (APC2, AC80, Nxxx module) • CH 1 - 5Mb - is used for DDCS I/O extension. AIMA-01 • CH 2 - 10Mb - Master -Follower link (drive to drive) • CH 3 - 10Mb - PC tool such as DriveWindow	768	EM

DCS800-EP Option Kits Continued

Catalog Number	Name		List Price	Mult. Sym.
SDCS-DSL-4	DCS Link	DCS-LINK drive-to-drive communication board dedicated to the DCS800, based on CAN bus. This communication adapter is used in 12-pulse operation and communication / control of external field supplies (e.g., DCF803-0035, etc.). This board is standard in all D5-D7 frames and all frames rated 600Vdc or greater.	234	EM
SDCS-IOB-21	Digital input/output module - 24 Vdc	Includes IOB-21 module and one ribbon cable. Replaces the standard digital inputs and outputs with 8 DI/O points externally mounted with input voltage level of 24...48V DC. The inputs are filtered and galvanically isolated. Terminals X6 & X7 on the main control must not be used when a SDCS-IOB-2x board is installed. Note: If IOB-3 is also required, you must order the combination kit instead. (See below.)	729	EM
SDCS-IOB-22	Digital input/output module - 115 Vac	Includes IOB-22 module and one ribbon cable. Replaces the standard digital inputs and outputs with 8 DI/O points externally mounted with input voltage level of 115 Vac. The inputs are filtered and galvanically isolated. Terminals X6 & X7 on the main control must not be used when a SDCS-IOB-2x board is installed. Note: If IOB-3 is also required, you must order the combination kit instead. (See below.)	729	EM
SDCS-IOB-23	Digital input/output module - 230 Vac	Includes IOB-23 module and one ribbon cable. Replaces the standard digital inputs and outputs with 8 DI/O points externally mounted with input voltage level of 230 Vac. The inputs are filtered and galvanically isolated. Terminals X6 & X7 on the main control must not be used when a SDCS-IOB-2x board is installed. Note: If IOB-3 is also required, you must order the combination kit instead. (See below.)	729	EM
SDCS-IOB-21 / IOB-3	IOB-21 Combination Kit	Kit includes (1) SDCS-IOB-21 module; (1) SDCS-IOB-3 module; set of (3) cables. Please see related descriptions above for specific features.	1,480	EM
SDCS-IOB-22 / IOB-3	IOB-22 Combination Kit	Kit includes (1) SDCS-IOB-22 module; (1) SDCS-IOB-3 module; set of (3) cables. Please see related descriptions above for specific features.	1,480	EM
SDCS-IOB-23 / IOB-3	IOB-23 Combination Kit	Kit includes (1) SDCS-IOB-23 module; (1) SDCS-IOB-3 module; set of (3) cables. Please see related descriptions above for specific features.	1,480	EM
SDCS-IOB-3	Analog and encoder input/output module	IMPORTANT: FOR STANDALONE IOB-3 MODULE ONLY. Includes IOB-3 and two ribbon cables. This module includes 5 analog inputs; 3 analog outputs; galvanically isolated pulse encoder interface; a current source for temperature measuring devices. If IOB-21, -22 or -23 is also required, order combination kit so as to receive the correct set of cables.	773	EM
SDCS-IOB Card Holder	Card Holder for SDCS-IOB-2x & SDCS-IOB-3	This card holder is used to mount the IOB-2x or IOB-3 board to a back panel. With universal Phoenix clamp 1202713, it is possible to mount the card holder to a standard DIN-rail system horizontally or vertically. Includes (6) clamps to attach the flat cables to the card holder. NOTE: Without this card holder, modules can be mounted to the back panel by using stand-offs.	225	EM
SDCS-SUB-4	Low mains voltage adapter	Adapts the drive to operate with mains voltage between 30 and 120 Vdc. SUB-4 board alters the voltage measurement circuit of the drive to improve mains synchronization and DC measurement resolution. Plugs into existing PIN-4 board. (For D1 - D4 only.)	442	EM
SDCS-UCM-1	External DC Voltage measurement kit	Allows drive frame sizes D1 - D4 to measure the DC motor voltage externally (e.g., "at the motor") instead of at the drive terminals. This, for example, might be beneficial when a DC contactor is in use. Includes a modified SDCS-SUB-4 board.	524	EM
SECG-01	Ethernet to ControlNet Gateway	SECG-01 (EtherNet/IP to ControlNet) -- will allow a DriveBrowser user to connect a PC's Ethernet port to drives on a ControlNet networks.	3,995	ES
SEDG-01	Ethernet to DeviceNet Gateway	SEDG-01 (EtherNet/IP to DeviceNet) -- will allow a DriveBrowser user to connect a PC's Ethernet port to drives on a DeviceNet networks	3,995	ES
Terminal Shield (D1-D2)	Terminal shield - A to B	For DCS800-EP1-0020 to DCS800-EP2-0260, this safety terminal shield protects against accidental contact with the AC and DC terminals at the base of the drive. See Hardware Manual "Mechanical Installation" for details. (One shield per drive.)	74	EM
Terminal Shield (D3)	Terminal shield - B to C	Safety terminal shield for DCS800-EP1-0315 to DCS800-EP2-0520. One shield per drive.	111	EM
Terminal Shield (D4)	Terminal shield - C to D	Safety terminal shield for DCS800-EP1-0610 to DCS800-EP2-1010. One shield per drive.	137	EM

Definite Purpose Motors

Unit Handling Motors

Brake Motors

200 & 575 Volt Motors

IEC Frame Motors

50 Hertz Motors

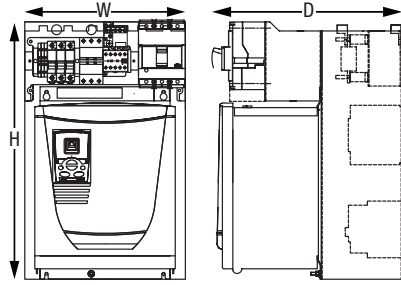
Inverter/Vector Motors & Controls

DC Motors and Controls

Soft Starters

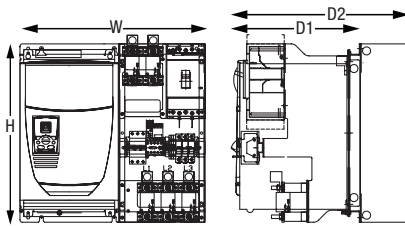
Gearmotors and Gear Products

DCS800-EP Dimensions



DCS800 – 10-60 HP Frame A

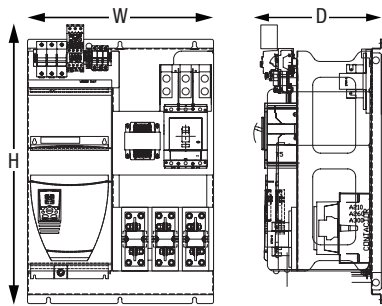
Frame Size	HP		Height		Width		Depth		Weight			
	(230V)	(460V)	(in)	(mm)	(in)	(mm)	(in)	(mm)	w/o Reactor		w/Reactor	
									(lbs)	(kg)	(lbs)	(kg)
A	5	10	18.79	477	12.15	309	14.40	366	54	25	61	28
	10	20	18.79	477	12.15	309	14.40	366	57	26	65	30
	15	30	18.79	477	12.15	309	14.40	366	59	27	67	30
	20	40	18.79	477	12.15	309	14.40	366	62	28	73	33
	30	60	18.79	477	12.15	309	14.40	366	62	28	88	40



DCS800 – 75-150 HP Frame B

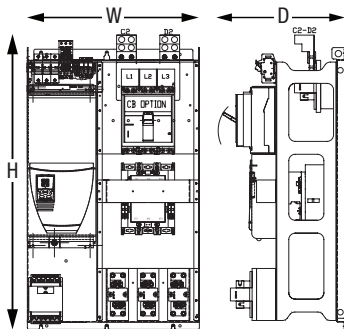
Frame Size	HP		Height		Width		Depth D1		Weight			
	(230V)	(460V)	(in)	(mm)	(in)	(mm)	(in)	(mm)	w/o Reactor		w/Reactor	
									(lbs)	(kg)	(lbs)	(kg)
B	30-50	75-100	19.29	490	20.00	508	13.82"	351	103	47	157	71
	60	125	19.29	490	20.00	508	13.82"	351	103	47	163	74
	75	150	19.29	490	20.00	508	13.82"	351	130	59	185	84

*19.32 inch (491mm) depth D2 when internal reactor option is included.



DCS800 – 200-300 HP Frame C

Frame Size	HP		Height		Width		Depth		Weight	
	(230V)	(460V)	(in)	(mm)	(in)	(mm)	(in)	(mm)	(lbs)	(kg)
C	100	200	35.32	897	23.58	599	16.17	411	231	105
	125	250	35.32	897	23.58	599	16.17	411	231	105
	150	300	35.32	897	23.58	599	16.17	411	260	118



DCS800 – 400-600 HP Frame D

Frame Size	HP		Height		Width		Depth D1		Depth D2		Weight	
	(230V)	(460V)	(in)	(mm)	(in)	(mm)	w/o Circuit Breaker		w/ Circuit Breaker		w/o Reactor	
							(in)	(mm)	(in)	(mm)	(lbs)	(kg)
D	NA	400	45.66	1160	26.68	678	16.00	406	19.65	499	355	161
	NA	500	45.66	1160	26.68	678	16.00	406	19.65	499	355	161
	NA	600	45.66	1160	26.68	678	16.00	406	19.65	499	355	161

Definite Purpose Motors

Unit Handling Motors

Brake Motors

200 & 575 Volt Motors

IEC Frame Motors

50 Hertz Motors

Inverter/Vector Motors & Controls

DC Motors and Controls

Soft Starters

Gearmotors and Gear Products

Soft Starter

30 thru 1040 Amps

208-575V 50/60 Hz.



Applications: Controlled ramp start and stop, minimize spillage in material handling, reduced water hammer in pumping, reduced wear on mechanical gears, eliminate high inrush current. Typical applications include: pumps, conveyors, fans, reciprocating compressors and screw and rotary compressors, crushers and mills.

Features: Six SCR three phase voltage control with programmable starting ramp and current limit. Application software allows easy load type selection and starting/stopping parameter settings. Current sensing provides true starting torque control and motor overload protection during starting and running. Open panel design, with quick ship program for enclosed combination starters.

Design Specifications

- MOV protection
- Current feedback
- Microprocessor Control
- Open chassis
- Keypad interface
- Two programmable inputs
- Three programmable form C outputs

Quick Ship

- NEMA 12/4 enclosures with bypass contactor
- Door mounted disconnect
- Input circuit breaker
- 2 wire Hand-Off-Auto switch
- Indicating lights
- Enclosed combination starters, with circuit breaker disconnect

Environmental and Operating Conditions

- Input voltage 3 phase 208-575V
- Control voltage 120VAC
- Input frequency 50/60 Hz
- Humidity 90% RH condensing
- 3000 feet altitude
- 40°C ambient temperature

Protective Features

- Selectable class motor overload
- Starting and running motor overload
- Locked rotor
- Underload
- Current phase imbalance
- High current
- Phase reversal (input voltage)
- Motor PTC input
- Low/high current warning
- Phase loss

Output	Voltage (Ue)	208-460V, 230-575V
	Current (Ie)	30-1040A
	Horsepower	Voltage and application rated, 7.5 Hp @ 208V to 1000 Hp @ 600V
	Short Circuit	Size dependent 10 kA (30A) to 85 kA (1040A)
	Altitude Derate	0.7% per 330 feet above 3300 feet
	Temperature Derate	0.8% per one °C above 40°C up to 50°C
	Starts per Hour	MST-030 - MST-300 – 30 starts; MST-370 - MST-1050 – 10 starts (50% on / 50% off time)
Overload	Normal Duty	400% of motor current for 30 seconds starting capacity and Class 10 motor running protection
	Heavy Duty	350-400% of motor current for 60 seconds starting capacity and Class 30 motor running protection
Input Ratings	Voltage	208 - 575V
	Frequency	50/60 Hz
	Phase	Three Phase
Control Spec	Control Method	Microprocessor controlled full wave, three phase, six thyristor firing
	Start Time	Programmable 1-30 seconds, (Normal Range) 1-120 seconds (Heavy Duty Range)
	Stop Time	Programmable 0-255 seconds
	Voltage Pedestal	Programmable: Start 10-60%, Kick 60-90%, Stop 10-60%
	Current Limit	800% of rated current
	Power Factor	Continuously monitored to eliminate motor over-flux for power optimizing
	Control Power (U _c)	110-130VAC, 50/60 Hz
SCR Spec	Peak Inverse Voltage	460VAC controllers 1400V
		575VAC controllers 1600V
	Heat Loss	3.3 Watts per 1 Ampere running current
Ambient Conditions	Temperature	Storage: -13°F to 158°F (-25°C to +70°C) operation; 32°F to 104°F (0°C to +40°C)
	Cooling	Convection / Forced Air included / Additional cooling required when installed in enclosure
	Altitude	3300 feet above sea level
Tools	Simulator	Windows® based application tool for programming simulation and settings navigation learning
	Sizing ProSoft	Windows® based starter selection tool with Baldor motor information to aim with proper rating choice for starter and motor

Definite Purpose Motors

Unit Handling Motors

Brake Motors

200 & 575 Volt Motors

IEC Frame Motors

50 Hertz Motors

Inverter/Vector Motors & Controls

DC Motors and Controls

Soft Starters

Gearmotors and Gear Products

Soft Starter - Typical Applications

Normal Starting

- Agitator
- Axial Blower
- Axial Fan
- Band Saw
- Centrifugal Pump
- Chiller
- Escalator
- Low Inertia Fan
- Propeller Fan
- Small Pump
- Large Pump
- Circular Saw
- Conveyor, Screw Feeder
- Drilling Press

Open Starter

Normal Starting (Class 10) 400% torque for 30 seconds					IEC Amps	Catalog Number	List Price	Mult. Sym.	Size
HP				UL Amps					
208V	230V	460V	575V						
7.5	10	20	25	28	30	MST-030-CA (1)	1,509	E7	A
10	10	25	30	34	37	MST-037-CA (1)	1,543	E7	A
10	15	30	40	42	44	MST-044-CA (1)	1,577	E7	A
15	20	40	50	54	50	MST-050-CA (1)	1,963	E7	A
20	25	50	60	68	72	MST-072-CA (1)	1,992	E7	A
25	30	60	75	80	85	MST-085-CA	2,701	E7	B
30	40	75	100	104	105	MST-105-CA	2,735	E7	B
40	50	100	125	130	142	MST-142-CA	3,830	E7	B
50	60	125	150	156	175	MST-175-CA	3,881	E7	C
60	75	150	200	192	210	MST-210-CA	4,392	E7	C
75	100	200	250	248	250	MST-250-CA	4,936	E7	C
100	100	250	300	302	300	MST-300-CA	5,095	E7	C
125	150	300	350	361	370	MST-370-CA	6,423	E7	D
150	200	400	500	480	470	MST-470-CA	7,944	E7	D
200	250	500	600	590	570	MST-570-CA	9,703	E7	E
250	300	600	700	720	720	MST-720-CA	10,928	E7	E
300	350	700	800	840	840	MST-840-CA	12,369	E7	E
400	450	900	1000	1062	1050	MST-1050-CA	20,427	E7	E

(1) IP10 degree of protection

Enclosed NEMA Type 12/4 Combination Starter with Disconnect (2)

Normal Starting (Class 10) 400% torque for 30 seconds					IEC Amps	Catalog Number	List Price	Mult. Sym.	Approx. Weight (lbs)
HP				UL Amps					
208V	230V	460V	575V						
15	20	40	50	54	50	MST-050-GD	5,973	E7	70
20	25	50	60	68	72	MST-072-GD	6,190	E7	72
25	30	60	75	80	85	MST-085-GD	6,807	E7	105
30	40	75	100	104	105	MST-105-GD	7,477	E7	110
40	50	100	125	130	142	MST-142-GD	8,187	E7	118
50	60	125	150	156	175	MST-175-GD	10,092	E7	210
60	75	150	200	192	210	MST-210-GD	10,669	E7	226
75	100	200	250	248	250	MST-250-GD	11,586	E7	230
100	100	250	300	302	300	MST-300-GD	12,327	E7	240
125	150	300	350	361	370	MST-370-GD	15,427	E7	343
150	200	400	500	480	470	MST-470-GD	17,507	E7	352

(2) Included "2-wire" control circuit with "Hand-Off-Auto" selector switch

Definite Purpose Motors

Unit Handling Motors

Brake Motors

200 & 575 Volt Motors

IEC Frame Motors

50 Hertz Motors

Inverter/Vector Motors & Controls

DC Motors and Controls

Soft Starters

Gearmotors and Gear Products

Soft Starter - Typical Applications

Heavy Starting

- Centrifugal Blower
- Centrifugal Fan
- Chipper
- Disintegrator
- Loaded Centrifuge
- Loaded Mixer
- Loaded Screw Compressor
- Loaded Reciprocating Compressor
- Pulverizer
- Rock Crusher
- Separator
- Elevator
- Flywheel Press
- Grinder
- Hammer Press
- High Inertia Fan
- Mill Mixer
- Pelletizer / Pulper
- Positive Displacement Pump
- Reciprocating Compressor
- Vibrating Screen

Open Starter

Heavy Starting (Class 30) 350% torque for 60 seconds					IEC Amps	Catalog Number	List Price	Mult. Sym.	Size
HP				UL Amps					
208V	230V	460V	575V						
7.5	10	20	25	28	37	MST-037-CA (1)	1,543	E7	A
10	10	25	30	34	44	MST-044-CA (1)	1,577	E7	A
10	15	30	40	42	50	MST-050-CA (1)	1,963	E7	A
15	20	40	50	54	72	MST-072-CA (1)	1,992	E7	A
20	25	50	60	68	85	MST-085-CA	2,701	E7	B
25	30	60	75	80	105	MST-105-CA	2,735	E7	B
30	40	75	100	104	142	MST-142-CA	3,830	E7	B
40	50	100	125	130	175	MST-175-CA	3,881	E7	C
50	60	125	150	156	210	MST-210-CA	4,392	E7	C
60	75	150	200	192	250	MST-250-CA	4,936	E7	C
75	100	200	250	248	300	MST-300-CA	5,095	E7	C
100	100	250	300	302	370	MST-370-CA	6,423	E7	D
125	150	300	350	361	470	MST-470-CA	7,944	E7	D
150	200	400	500	480	570	MST-570-CA	9,703	E7	E
200	250	500	600	590	720	MST-720-CA	10,928	E7	E
250	300	600	700	720	840	MST-840-CA	12,369	E7	E
300	350	700	800	840	1050	MST-1050-CA	20,427	E7	E

(1) IP10 degree of protection

Enclosed NEMA Type 12/4 Combination Starter with Circuit Breaker Disconnect ⁽²⁾

Heavy Starting (Class 30) 350% torque for 60 seconds					IEC Amps	Catalog Number	List Price	Mult. Sym.	Approx. Weight (lbs)
HP				UL Amps					
208V	230V	460V	575V						
15	20	40	50	54	72	MST-072-GD	6,190	E7	72
20	25	50	60	68	85	MST-085-GD	6,807	E7	105
25	30	60	75	80	105	MST-105-GD	7,477	E7	110
30	40	75	100	104	142	MST-142-GD	8,187	E7	118
40	50	100	125	130	175	MST-175-GD	10,092	E7	210
50	60	125	150	156	210	MST-210-GD	10,669	E7	226
60	75	150	200	192	250	MST-250-GD	11,586	E7	230
75	100	200	250	248	300	MST-300-GD	12,327	E7	240
100	100	250	300	302	370	MST-370-GD	15,427	E7	343
—	—	300	350	480	470	MST-470-GD	17,507	E7	352

Severe Duty NEMA Type 4 Combination Starter with Circuit Breaker Disconnect ⁽²⁾⁽³⁾

Heavy Starting (Class 30) 350% torque for 60 seconds					IEC Amps	Catalog Number	List Price	Mult. Sym.	Approx. Weight (lbs)
HP				UL Amps					
208V	230V	460V	575V						
40	50	100	125	130	175	MST-175-GS	10,329	E7	223
50	60	125	150	156	210	MST-210-GS	12,327	E7	228
60	75	150	200	192	250	MST-250-GS	11,740	E7	237
75	100	200	250	248	300	MST-300-GS	13,058	E7	244
100	100	250	300	302	370	MST-370-GS	16,992	E7	373
125	150	300	350	361	470	MST-470-GS	19,875	E7	399
150	200	400	500	480	570	MST-570-GS	27,568	E7	649
200	250	500	—	590	720	MST-720-GS	30,822	E7	681
250	300	600	—	720	840	MST-840-GS	38,587	E7	687

(2) Included "2-wire" control circuit with "Hand-Off-Auto" selector switch

(3) Included AC-3 rated direct on line starting emergency contactor and redundant Class 30 overload relay.

Define Purpose Motors

Unit Handling Motors

Brake Motors

200 & 575 Volt Motors

IEC Frame Motors

50 Hertz Motors

Inverter/Vector Motors & Controls

DC Motors and Controls

Soft Starters

Gearmotors and Gear Products

Soft Starters - Dimensions

Dimensions

Size	Outside			Mounting		Ap'x. Shpg. Wgt. lbs. (kg)
	Height Inches (mm)	Width Inches (mm)	Depth Inches (mm)	Height Inches (mm)	Width Inches (mm)	
A	10.24 (260)	6.3 (160)	7.7 (196)	9.6 (244)	5.7 (145)	9 (4.1) MST030, MST037 11 (5) MST044 – MST072
B	15.35 (390)	7.32 (186)	10.62 (270)	14.49 (368)	6.1 (155)	27 (12.2) MST085, MST105 33 (15) MST142
C	16.54 (420)	14.17 (360)	10.63 (270)	15.67 (398)	13 (330)	44 (20) MST175 49 (22.2) MST210, MST250 53 (24) MST300
D	18.1 (460)	14.37 (365)	14.21 (361)	17.24 (438)	8.23 (209)	84 (38.1) MST370 93 (42.2) MST470
E	20.28 (515)	17.13 (435)	15 (381)	19.4 (493)	15.95 (405)	97 (44) MST 570 119 (54) MST720 124 (56.2) MST840 137 (62.1) MST1050

Digital Soft Starter Controls - Accessories



External MOV

(Metal Oxide Varistor type voltage surge suppressor)

- Protects from line-to-line voltage spikes
- Recommended for all low line impedance applications

Catalog Number	Volts	List Price	Mult. Sym.
MOV505L	460	118	E7
MOV620EL	575	141	E7



Remote Keypad with Cable

- 32 Character English alphanumeric display
- NEMA 4X indoor enclosure
- Backlit LCD

Catalog Number	Cable Length	List Price	Mult. Sym.
MSTEK	10 ft.	475	E7

ProSoft

Sizing software – www.baldor.com

Simulator

Programming and Setting learning and aid tool – www.baldor.com

Definite Purpose Motors

Unit Handling Motors

Brake Motors

200 & 575 Volt Motors

IEC Frame Motors

50 Hertz Motors

Inverter/Vector Motors & Controls

DC Motors and Controls

Soft Starters

Gearmotors and Gear Products



Applications: Conveyors, material handling equipment, packaging machinery, medical and laboratory equipment, printing presses, commercial ovens, and machine tools.

Features: Bronze sleeve bearing on output for smooth torque transmission. High strength bronze gearing with hardened and ground worm for quiet operation. Permanently lubricated with synthetic grease for long maintenance free operation. Can be mounted in all positions including vertical with motor below gearhead. Class F insulation.

Fixed Speed AC

Input Motor Hp	Output RPM 50/60 Hz	Gear Ratio	Max. Safe Torque In. Lbs. @ 60 Hz	Catalog Number	List Price	Mult. Sym.	Ap'x. Shpg. Wgt.	Motor Type & Gear Style	Enclosure	Voltage	Notes (a)	Drawing Number
Single Phase – Permanent Split Capacitor												
1/50	59/71.4	24:1	7.5	GC24003	406	DS	7	2412C-FTA	TENV	115	19	1

Variable Speed AC

Input Motor Hp	Output RPM 60 Hz	Gear Ratio	Speed Range (VT)	Max. Safe Torque In. Lbs. @ 60 Hz	Catalog Number	List Price	Mult. Sym.	Ap'x. Shpg. Wgt.	Motor Type & Gear Style	Voltage @ 60 Hz	Notes (a)	Drawing Number
Three Phase – Inverter Duty												
1/25	85	20:1	14-127	13	IDGM2401	505	E2	7	2416M-FTA	230	77	3
	170	10:1	28-255	9	IDGM2402	505	E2	7	2416M-FTA	230	77	3
	340	5:1	56-510	5	IDGM2403	505	E2	7	2416M-FTA	230	77	3

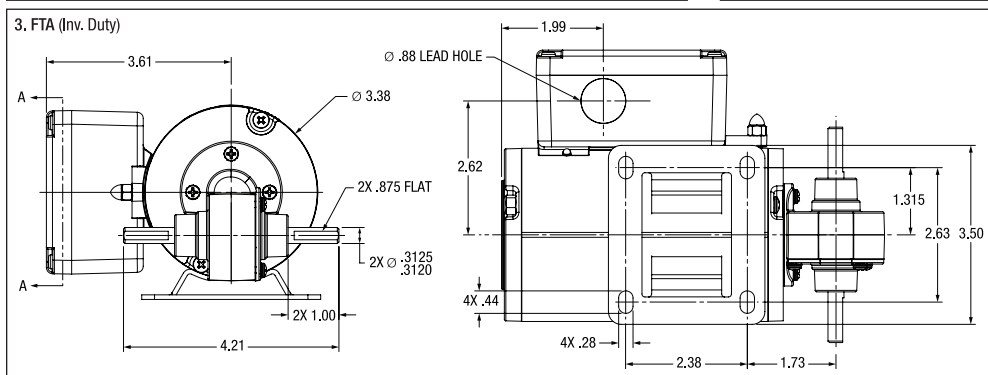
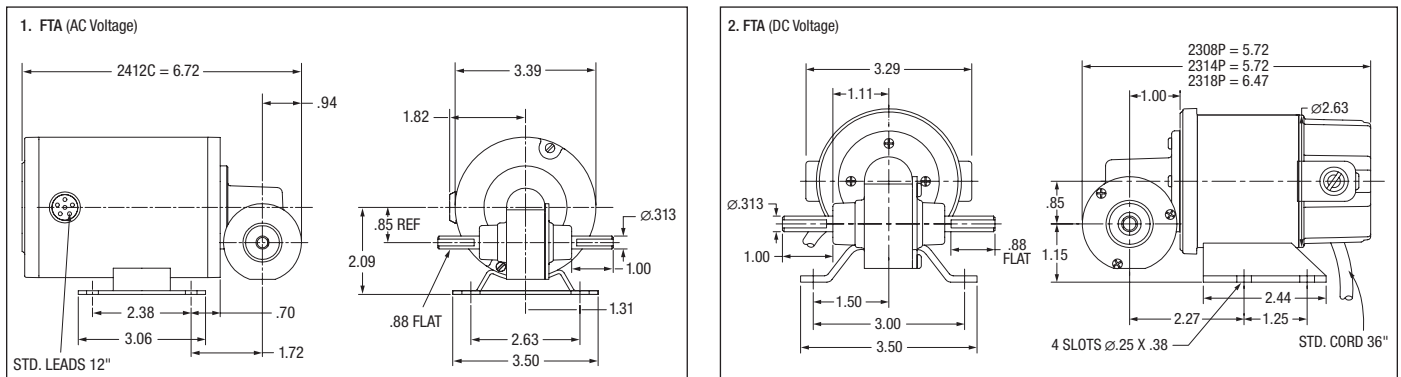
Permanent Magnet DC

Input Motor Hp	Output Base Speed	Gear Ratio	Max. Safe Torque In. Lbs.	Catalog Number	List Price	Mult. Sym.	Ap'x. Shpg. Wgt.	Motor Type & Gear Style	Voltage D.C. Armature	Full Load Amperage Armature	Notes (a)	Drawing Number
90 VDC												
1/50	87	20:1	7.5	GP231003	407	DS	5	2308P-FTA	90	0.34		2
1/25	140	12:1	11	GP231002	439	DS	5	2314P-FTA	90	0.54		2
1/17	312	8:1	6	GP231001	439	DS	5	2314P-FTA	90	0.62		2
1/25	344	5:1	5.1	GP232001	439	DS	5	2314P-FTA	90	0.49		2

(a) See notes on inside back flap.

Red Catalog Number indicates **NEW** Product

ATTENTION: Additional ratios, voltages, and ratings are available. Application specific modifications are the common, such as custom shaft dimensions, addition of brakes or encoders, specific power cords, and washdown features. Contact your local Baldor representative for assistance.



Definite Purpose Motors

Unit Handling Motors

Brake Motors

200 & 575 Volt Motors

IEC Frame Motors

50 Hertz Motors

Inverter/Vector Motors & Controls

DC Motors and Controls

Soft Starters & Dynamic Brakes

Gearmotors and Gear Products

Applications: Conveyors, material handling equipment, packaging machinery, medical and laboratory equipment, printing presses, commercial ovens, and machine tools.

Features: Bronze sleeve bearing on output for smooth torque transmission. High strength bronze gearing with hardened and ground worm for quiet operation. Permanently lubricated with synthetic grease for long maintenance free operation. Can be mounted in all positions including vertical with motor below gearhead. Class F insulation.



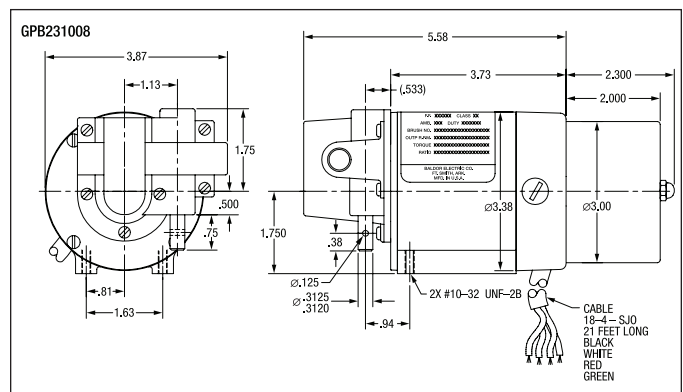
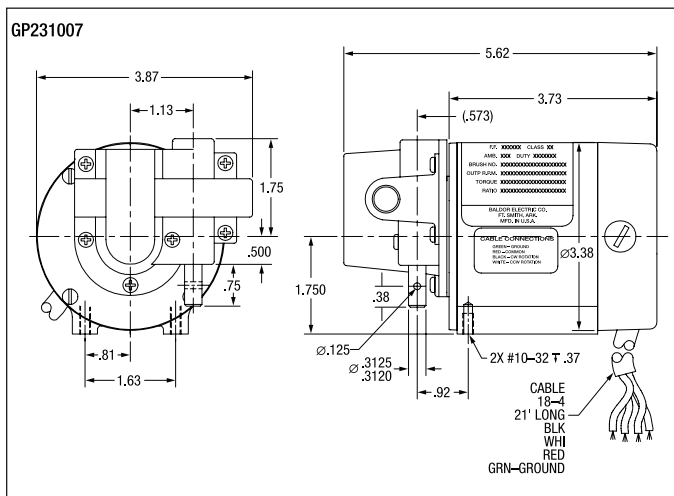
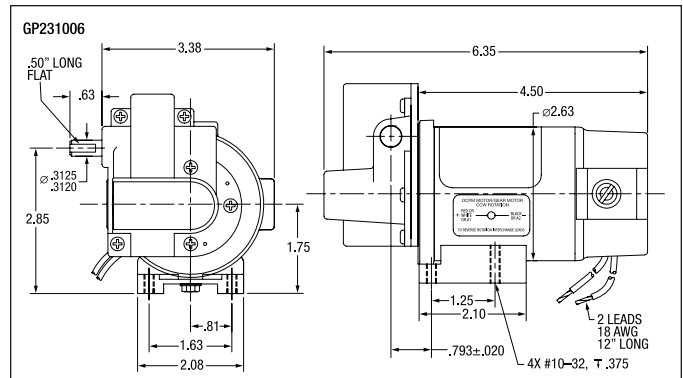
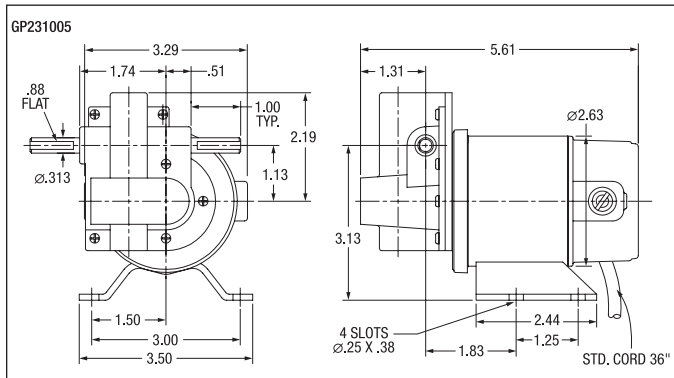
GP231005 Shown
GNA Style

Permanent Magnet DC

Input Motor Hp	Output Base Speed	Gear Ratio	Max. Safe Torque In. Lbs.	Catalog Number	List Price	Mult. Sym.	Ap'x. Shpg. Wgt.	Motor Type & Gear Style	Voltage D.C. Armature	Full Load Amperage Armature	Notes (a)
90 VDC											
1/97	8.2	225:1	15	GP231005	427	DS	5	2308P-GNA	90	0.19	
115 VDC											
1/30	1.6	1200:1	15	GP231006	438	DS	8	2314P-GNA	115	0.12	
115 VAC Wound Field											
1/28	50	132:1	10	GP231007	684	DS	5	2308D-GNA	115	0.92	
115 VAC Wound Field with Brake											
1/28	60	132:1	10	GPB231008	722	DS	10	2308D-GNA	115	0.86	

(a) See notes on inside back flap.

ATTENTION: Additional ratios, voltages, and ratings are available. Application specific modifications are the common, such as custom shaft dimensions, addition of brakes or encoders, specific power cords, and washdown features. Contact your local Baldor representative for assistance.



Definite Purpose Motors

Unit Handling Motors

Brake Motors

200 & 575 Volt Motors

IEC Frame Motors

50 Hertz Motors

Inverter/Vector Motors & Controls

DC Motors and Controls

Soft Start & Dynamic Brakes

Gearmotors and Gear Products



GP232004 Shown
DA Style

GC24208 Shown
DB Style

Applications: Conveyors, material handling equipment, packaging machinery, medical and laboratory equipment, printing presses, commercial ovens, and machine tools.

Features: Bronze sleeve bearing on output for smooth torque transmission. High strength bronze gearing with hardened and ground worm for quiet operation. High performance low friction, bidirectional motor seals. Permanently lubricated with synthetic oil. Internal oil expansion bladder allows for multi-position mounting without the need to relocate breather vents. Class F insulation.

Fixed Speed AC

Input Motor Hp	Output RPM 50/60 Hz	Gear Ratio	Max. Safe Torque In. Lbs. @ 60 Hz	Catalog Number (a)	List Price	Mult. Sym.	Ap'x. Shpg. Wgt.	Motor Type & Gear Style	Enclosure	Voltage	Notes (b)	Drawing Number
Single Phase – Permanent Split Capacitor												
1/40	11.8/14	117:1	40	GC24208	540	DS	10	2412C-DB	TENV	115	19, 78	1

Variable Speed AC

Input Motor Hp	Output RPM 60 Hz	Gear Ratio	Speed Range (VT)	Max. Safe Torque In. Lbs. @ 60 Hz	Catalog Number (a)	List Price	Mult. Sym.	Ap'x. Shpg. Wgt.	Motor Type & Gear Style	Voltage @ 60 Hz	Notes (b)	Drawing Number
Three Phase – Inverter Duty												
1/25	5.4	310:1	1 - 8	75	IDGM2301	660	E2	10	2416M-DB	230	77	3
1/20	18.1	90:1	3 - 28	75	IDGM2302	660	E2	10	2416M-DB	230	77	3

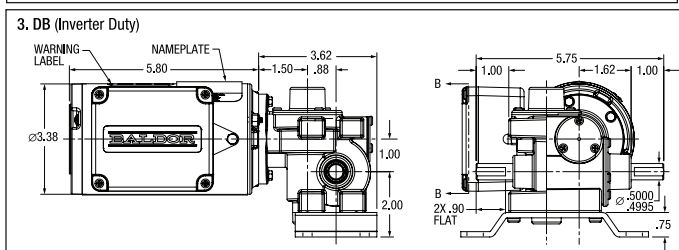
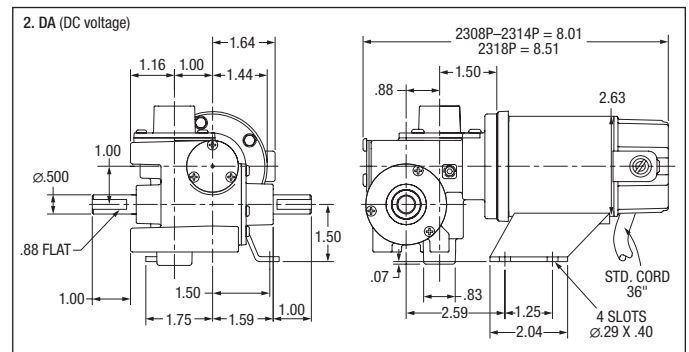
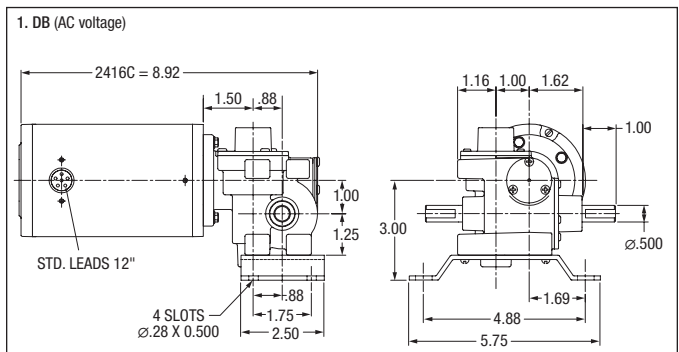
Permanent Magnet DC

Input Motor Hp	Output Base Speed	Gear Ratio	Max. Safe Torque In. Lbs.	Catalog Number (a)	List Price	Mult. Sym.	Ap'x. Shpg. Wgt.	Motor Type & Gear Style	Voltage D.C. Armature	Full Load Amperage Armature	Notes (b)	Drawing Number
90 VDC												
1/66	1.7	1100:1	75	GP232004	606	DS	7	2308P-DA	90	0.18		2
1/49	3.7	660:1	75	GP232005	606	DS	7	2308P-DA	90	0.34		2
1/27	8.7	310:1	66	GP232006	606	DS	7	2314P-DA	90	0.44		2
1/15	19.6	130:1	64	GP232007	632	DS	7	2314P-DA	90	0.68		2
180 VDC												
1/83	1.9	1100:1	75	GP233020	632	DS	7	2314P-DA	180	0.11		2
1/31	4.1	660:1	75	GP233029	632	DS	7	2314P-DA	180	0.20		2
1/22	8.5	310:1	66	GP233028	632	DS	7	2314P-DA	180	0.26		2
1/20	19.7	130:1	64	GP233027	660	DS	7	2314P-DA	180	0.31		2

(a) Vertical motor below gearhead not recommended. Avoiding those positions where the high speed oil seal is immersed in oil, will provide greater security against high speed input seal wear. (b) See notes on inside back flap.

Red Catalog Number indicates **NEW** Product

ATTENTION: Additional ratios, voltages, and ratings are available. Application specific modifications are the common, such as custom shaft dimensions, addition of brakes or encoders, specific power cords, and washdown features. Contact your local Baldor representative for assistance.



Definite Purpose Motors

Unit Handling Motors

Brake Motors

200 & 575 Volt Motors

IEC Frame Motors

50 Hertz Motors

Inverter/Vector Motors & Controls

DC Motors and Controls

Soft Starters & Dynamic Brakes

Gearmotors and Gear Products



GC24314 Shown
EB Style

Applications: Conveyors, material handling equipment, packaging machinery, medical and laboratory equipment, printing presses, commercial ovens, and machine tools.

Features: Bronze sleeve bearing on output for smooth torque transmission. High strength bronze gearing with hardened and ground worm for quiet operation. High performance low friction, bidirectional motor seals. Permanently lubricated with synthetic oil. Internal oil expansion bladder allows for multi-position mounting without the need to relocate breather vents. Class F insulation.

Fixed Speed AC

Input Motor Hp	Output RPM 50/60 Hz	Gear Ratio	Max. Safe Torque In. Lbs. @ 60 Hz	Catalog Number (a)	List Price	Mult. Sym.	Ap'x. Shpg. Wgt.	Motor Type & Gear Style	Enclosure	Voltage	Notes (b)	Drawing Number
Single Phase												
1/13	7.7/9.3	180:1	175	GC24314	690	DS	14	2416C-EB	TENV	115	19, 78	1
1/20	12.7/16	100:1	100	GC24312	690	DS	12	2416C-EB	TENV	115	19, 78	1
Three Phase												
1/12	1.5	1200:1	175	GM25021	730	DS	15	2516M-EB	TENV	208/230-460	33	2
	11.3	150:1	125	GM25016	730	DS	15	2516M-EB	TENV	208/230-460	33	2

Variable Speed AC

Input Motor Hp	Output RPM 60 Hz	Gear Ratio	Speed Range (VT)	Max. Safe Torque In. Lbs. @ 60 Hz	Catalog Number (a)	List Price	Mult. Sym.	Ap'x. Shpg. Wgt.	Motor Type & Gear Style	Voltage @ 60 Hz	Notes (b)	Drawing Number
Three Phase – Inverter Duty												
1/12	9.3	180:1	2 - 14	175	IDGM2512	840	E2	15	2512M-EB	230	77	4
	16.8	100:1	3 - 25	125	IDGM2511	840	E2	15	2512M-EB	230	77	4

Permanent Magnet DC

Input Motor Hp	Output Base Speed	Gear Ratio	Max. Safe Torque In. Lbs.	Catalog Number (a)	List Price	Mult. Sym.	Ap'x. Shpg. Wgt.	Motor Type & Gear Style	Voltage D.C. Armature	Full Load Amperage Armature	Notes (b)	Drawing Number
90 VDC												
1/8	6	600:1	150	GP7304	889	DS	13	2412P-EB	90	1.00		3
1/4	20	180:1	175	GP7409	848	DS	15	2424P-EB	90	2.00		3
180 VDC												
1/4	20	180:1	175	GP7429	875	DS	15	2424P-EB	180	1.00		3

(a) Vertical motor below gearhead not recommended.

Avoiding those positions where the high speed oil seal is immersed in oil, will provide greater security against high speed input seal wear.

(b) See notes on inside back flap.

Red Catalog Number indicates **NEW** Product

ATTENTION: Additional ratios, voltages, and ratings are available. Application specific modifications are the common, such as custom shaft dimensions, addition of brakes or encoders, specific power cords, and washdown features. Contact your local Baldor representative for assistance.

Definite Purpose Motors

Unit Handling Motors

Brake Motors

200 & 575 Volt Motors

IEC Frame Motors

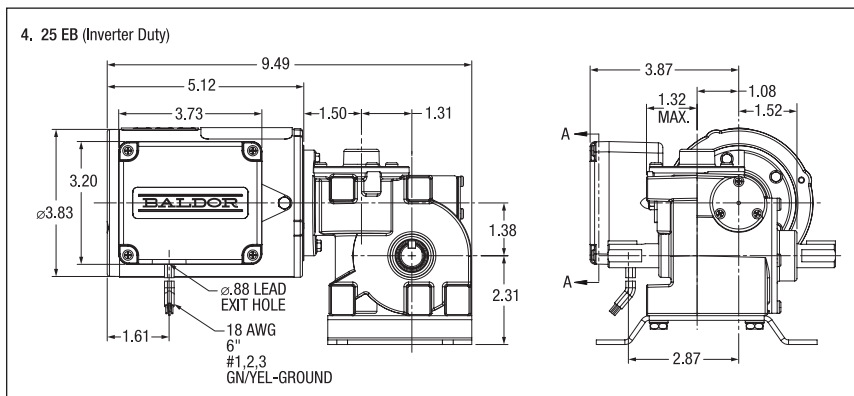
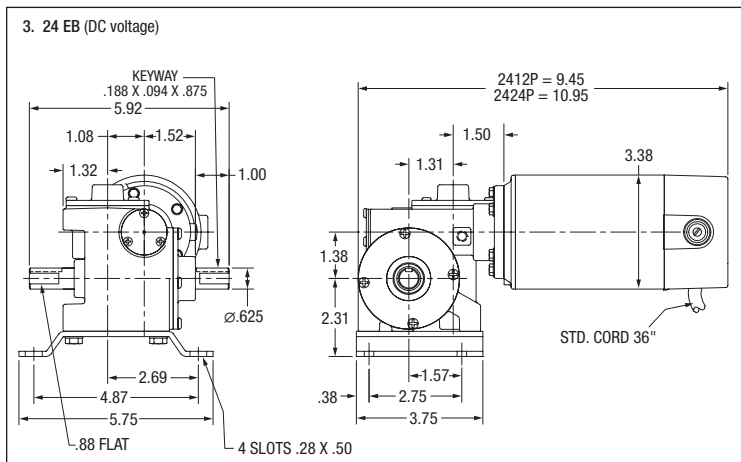
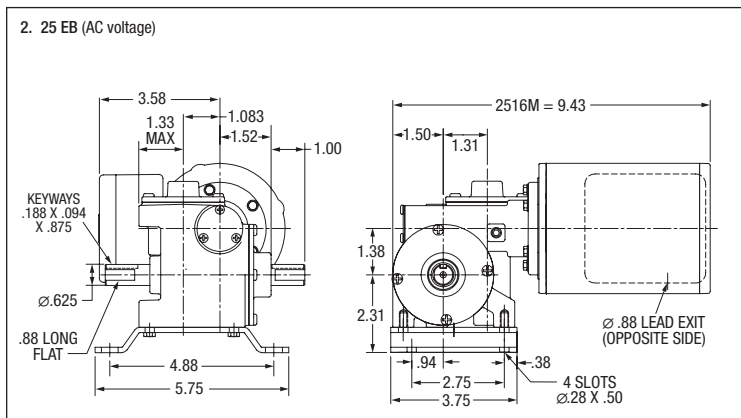
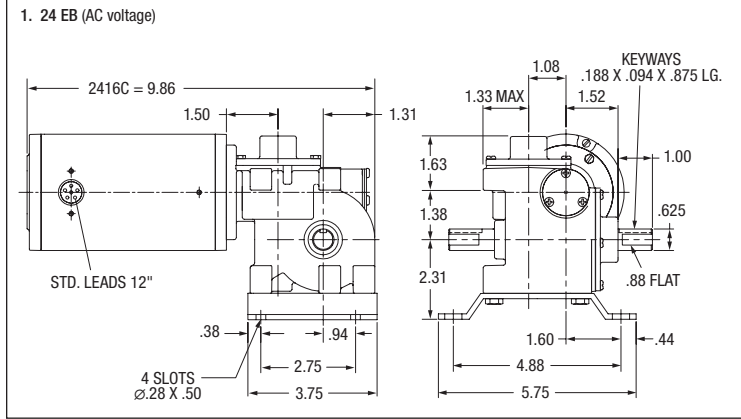
50 Hertz Motors

Inverter/Vector Motors & Controls

DC Motors and Controls

Soft Start & Dynamic Brakes

Gearmotors and Gear Products



Definite Purpose
Motors

Unit Handling
Motors

Brake Motors

200 & 575 Volt
Motors

IEC Frame
Motors

50 Hertz
Motors

Inverter/Vector
Motors & Controls

DC Motors
and Controls

Soft Starters &
Dynamic Brakes

Gearmotors and
Gear Products

Applications: Conveyors, material handling equipment, packaging machinery, medical and laboratory equipment, printing presses, commercial ovens, and machine tools.

Features: Permaglide sleeve bearing on output for smooth torque transmission. High strength bronze gearing with hardened and ground worm for quiet operation. High performance low friction, bidirectional motor seals. Permanently lubricated with synthetic oil. Internal oil expansion bladder allows for multi-position mounting without the need to relocate breather vents. Class F insulation.



Fixed Speed AC

Input Motor Hp	Output RPM 50/60 Hz	Gear Ratio	Max. Safe Torque In. Lbs. @ 60 Hz	Catalog Number (a)	List Price	Mult. Sym.	Ap'x. Shpg. Wgt.	Motor Type & Gear Style	Enclosure	Voltage	Notes (b)	Drawing Number See pg 283
Single Phase – Permanent Split Capacitor												
1/15	23.3/28.3	60:1	40	GC24313	503	DS	10	2418C-BB	TENV	115	19, 78	1
	35/42.5	40:1	37	GC24310	503	DS	10	2418C-BB	TENV	115	19, 78	1
	46/56	30:1	32	GC24305	503	DS	10	2418C-BB	TENV	115	19, 78	1
	70/85	20:1	29	GC24306	503	DS	10	2418C-BB	TENV	115	19, 78	1
	93/113	15:1	24	GC24304	503	DS	10	2418C-BB	TENV	115	19, 78	1
	140/170	10:1	18	GC24302	503	DS	10	2418C-BB	TENV	115	19, 78	1
Three Phase												
1/12	95/115	15:1	30	GM25026	542	DS	12	2516M-BA	TENV	190/380//230/460	19	2
1/8	143/174	10:1	30	GM25024	558	DS	13	2516M-BA	TENV	190/380//230/460	19	3
	285/345	5:1	15	GM25022	558	DS	13	2516M-BA	TENV	190/380//230/460	19	3
1/6	230	15:1	27	GM3329	703	DS	11	2512M-BA	TEFC	208 - 230/460	33	4

Variable Speed AC

Input Motor Hp	Output RPM 60 Hz	Gear Ratio	Speed Range (VT)	Max. Safe Torque In. Lbs. @ 60 Hz	Catalog Number (a)	List Price	Mult. Sym.	Ap'x. Shpg. Wgt.	Motor Type & Gear Style	Voltage @ 60 Hz	Notes (b)	Drawing Number See pg 283
Three Phase – Inverter Duty												
1/20	28.7	60:1	5-42	30	IDGM2406	612	E2	13	2512M-BB	230	77	6
1/15	85	20:1	14-128	25	IDGM2405	612	E2	13	2512M-BB	230	77	6
1/8	340	5:1	57-510	15	IDGM2404	612	E2	13	2520M-BB	230	77	6

Permanent Magnet DC

Input Motor Hp	Output Base Speed	Gear Ratio	Max. Safe Torque In. Lbs.	Catalog Number (a)	List Price	Mult. Sym.	Ap'x. Shpg. Wgt.	Motor Type & Gear Style	Voltage D.C. Armature	Full Load Amperage Armature	Notes (b)	Drawing Number See pg 283
90 VDC												
1/22	40	40:1	30	GP232002	542	DS	7	2314P-BA	90	0.60		5
1/16	60	30:1	33	GP233003	561	DS	8	2318P-BA	90	0.72		5
	90	20:1	27	GP233002	561	DS	7	2318P-BA	90	0.75		5
	120	15:1	22	GP233007	561	DS	7	2318P-BA	90	0.78		5
	173	10:1	17	GP233001	561	DS	7	2318P-BA	90	0.85		5
180 VDC												
1/16	60	30:1	33	GP233023	561	DS	7	2318P-BA	180	0.42		5
1/14	86	20:1	28	GP233022	561	DS	7	2318P-BA	180	0.42		5
1/13	175	10:1	17	GP233021	561	DS	7	2318P-BA	180	0.42		5

(a) Vertical motor below gearhead not recommended.

Avoiding those positions where the high speed oil seal is immersed in oil, will provide greater security against high speed input seal wear.

(b) See notes on inside back flap.

Red Catalog Number indicates **NEW** Product

ATTENTION: Additional ratios, voltages, and ratings are available. Application specific modifications are the common, such as custom shaft dimensions, addition of brakes or encoders, specific power cords, and washdown features. Contact your local Baldor representative for assistance.

Definite Purpose Motors

Unit Handling Motors

Brake Motors

200 & 575 Volt Motors

IEC Frame Motors

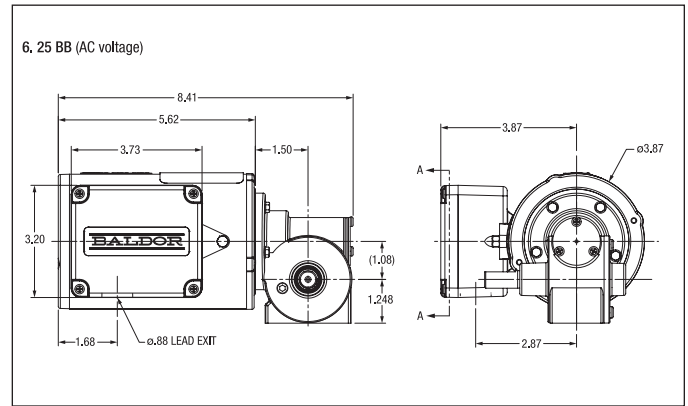
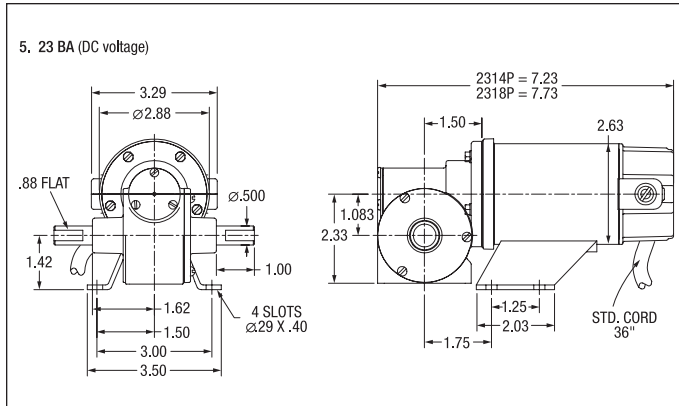
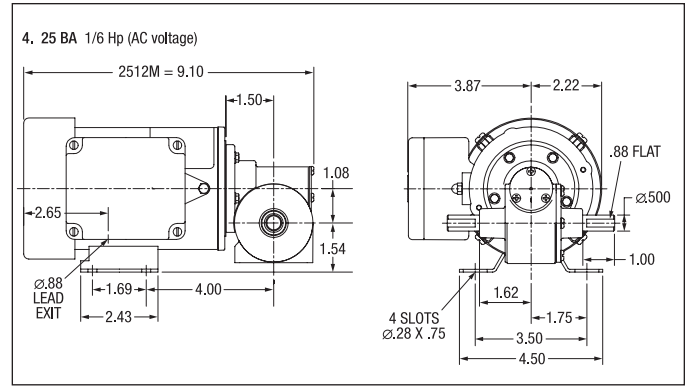
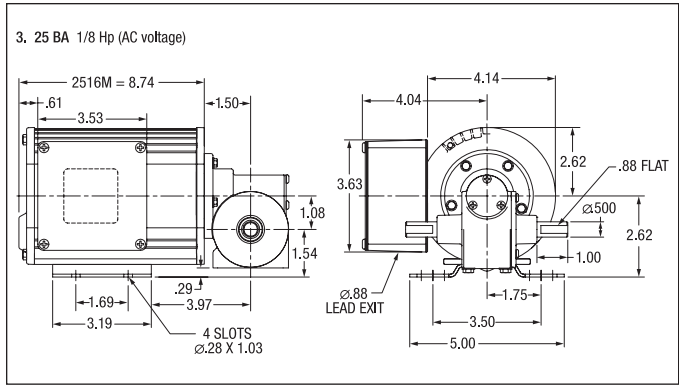
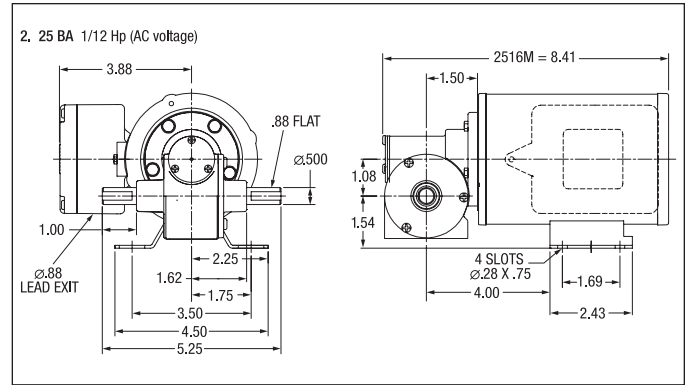
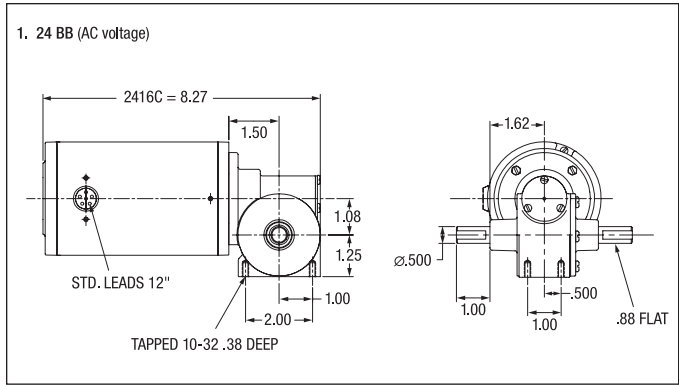
50 Hertz Motors

Inverter/Vector Motors & Controls

DC Motors and Controls

Soft Start & Dynamic Brakes

Gearmotors and Gear Products



Definite Purpose Motors

Unit Handling Motors

Brake Motors

200 & 575 Volt Motors

IEC Frame Motors

50 Hertz Motors

Inverter/Vector Motors & Controls

DC Motors and Controls

Soft Starters & Dynamic Brakes

Gearmotors and Gear Products

Applications: Conveyors, material handling equipment, packaging machinery, medical and laboratory equipment, printing presses, commercial ovens, and machine tools.

Features: High strength bronze gear with hardened and ground worm first stage, hardened steel helical output stage for improved overall efficiency and dependable torque transmission. High performance low friction, bidirectional motor seals. Factory lubricated for life with synthetic oil, no maintenance required. Completely sealed from the environment. Class F insulation.



GP24280 Shown

GC25280 Shown
GC Style

Fixed Speed AC

Input Motor Hp	Output RPM 50/60 Hz	Gear Ratio	Max. Safe Torque In. Lbs. @ 60 Hz	Catalog Number (a)	List Price	Mult. Sym.	Ap'x. Shpg. Wgt.	Motor Type & Gear Style	Enclosure	Voltage	Notes (b)	Drawing Number <i>See pg 285</i>
Single Phase – Permanent Split Capacitor												
1/6	4.8/5.7	280:1	400	GC25280	881	DS	21	2520C-G	TEFC	115	19	1
	7.1/8.4	190:1	385	GC25190	881	DS	21	2520C-G	TEFC	115	19	1
	11.3/13.3	120:1	300	GC25120	881	DS	21	2520C-G	TEFC	115	19	1
	16.8/20	80:1	290	GC25080	881	DS	21	2520C-G	TEFC	115	19	1
	22.5/26.7	60:1	220	GC25060	881	DS	21	2520C-G	TEFC	115	19	1
Three Phase												
1/6	4.9/5.9	280:1	400	GM25280	959	DS	19	2516M-G	TEFC	190/380//230/460	19	1
	7.3/8.9	190:1	385	GM25190	959	DS	19	2516M-G	TEFC	190/380//230/460	19	1
	11.3/13.3	120:1	300	GM25120	959	DS	19	2516M-G	TEFC	190/380//230/460	19	1
	16.5/20.4	80:1	310	GM25080	959	DS	19	2516M-G	TEFC	190/380//230/460	19	1
	22.5/27.5	60:1	250	GM25060	959	DS	19	2516M-G	TEFC	190/380//230/460	19	1

Variable Speed AC

Input Motor Hp	Output RPM 60 Hz	Gear Ratio	Speed Range (VT)	Max. Safe Torque In. Lbs. @ 60 Hz	Catalog Number (a)	List Price	Mult. Sym.	Ap'x. Shpg. Wgt.	Motor Type & Gear Style	Voltage @ 60 Hz	Notes (b)	Drawing Number <i>See pg 285</i>
Three Phase – Inverter Duty												
1/8	6	280:1	1-9	400	IDGM2515	1,036	E2	20	2516M-G	230	77	1
1/6	14	120:1	2-21	375	IDGM2514	1,036	E2	20	2516M-G	230	77	1
	28	60:1	5-42	250	IDGM2513	1,036	E2	20	2516M-G	230	77	1

Permanent Magnet DC

Input Motor Hp	Output Base Speed	Gear Ratio	Max. Safe Torque In. Lbs.	Catalog Number (a)	List Price	Mult. Sym.	Ap'x. Shpg. Wgt.	Motor Type & Gear Style	Voltage D.C. Armature	Full Load Amperage Armature	Notes (b)	Drawing Number <i>See pg 285</i>
90 VDC												
1/8	6.2	280:1	400	GP24280	965	DS	16	2424P-G	90	1.04		2
	9.1	190:1	385	GP24190	965	DS	16	2424P-G	90	1.21		2
	14	120:1	280	GP24120	965	DS	16	2424P-G	90	1.36		2
	29	60:1	163	GP24060	965	DS	16	2424P-G	90	1.54		2

(a) Vertical motor below gearhead not recommended.

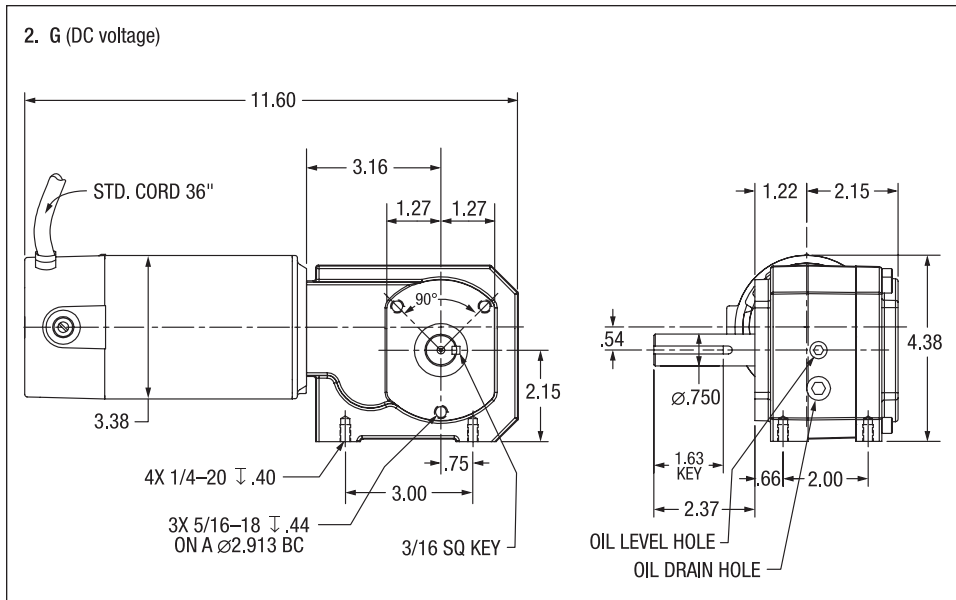
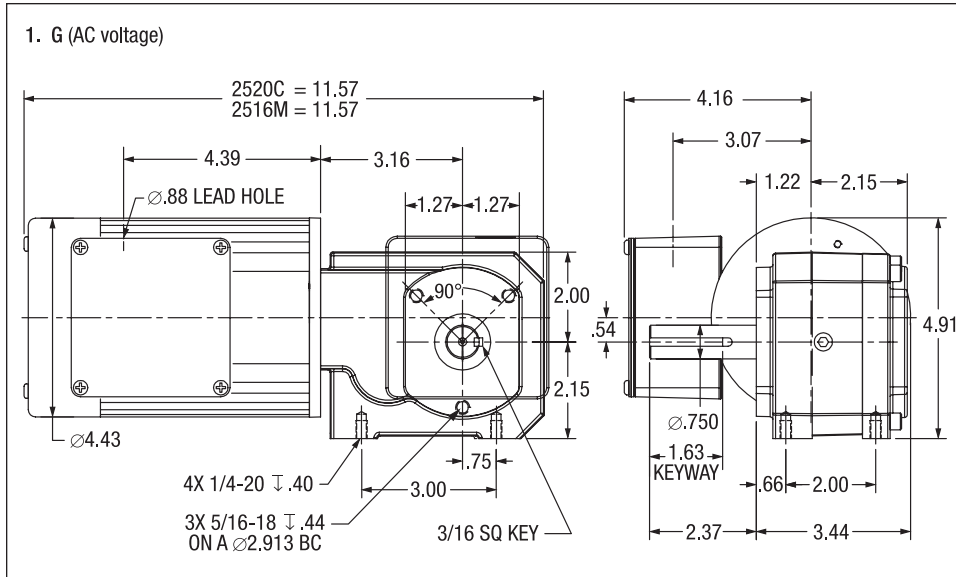
Avoiding those positions where the high speed oil seal is immersed in oil, will provide greater security against high speed input seal wear.

(b) See notes on inside back flap.

Red Catalog Number indicates **NEW** Product

ATTENTION: Additional ratios, voltages, and ratings are available. Application specific modifications are common, such as custom shaft dimensions, addition of brakes or encoders, specific power cords, and washdown features. Contact your local Baldor representative for assistance.

See page 210 for matching AC Drives and page 258 for matching DC Drives.



Definite Purpose
Motors

Unit Handling
Motors

Brake Motors

200 & 575 Volt
Motors

IEC Frame
Motors

50 Hertz
Motors

Inverter/Vector
Motors & Controls

DC Motors
and Controls

Soft Starters &
Dynamic Brakes

Gearmotors and
Gear Products

Applications: Conveyors, material handling equipment, packaging machinery, medical and laboratory equipment, printing presses, commercial ovens, and machine tools.

Features: Ball bearing on output for smooth torque transmission. High strength bronze gearing with hardened and ground worm for quiet operation and increased radial load capacity. High performance low friction, bidirectional motor seals. Permanently lubricated with synthetic oil. Internal oil expansion bladder allows for multi-position mounting without the need to relocate breather vents. Class F insulation.



GP13530 Shown
K Style

GC24307 Shown
KA Style

Fixed Speed AC

Input Motor Hp	Output RPM 50/60 Hz	Gear Ratio	Max. Safe Torque In. Lbs. @ 60 Hz	Catalog Number (a)	List Price	Mult. Sym.	Ap'x. Shpg. Wgt.	Motor Type & Gear Style	Enclosure	Voltage	Notes (b)	Drawing Number See pg 288
Single Phase – Permanent Split Capacitor												
1/15	23/28	60:1	45	GC24307	537	DS	11	2416C-KA	TEFC	110/115	19	1
	35/42	40:1	49	GC24308	537	DS	11	2416C-KA	TEFC	110/115	19	1
	68/82.5	20:1	32	GC24309	537	DS	11	2416C-KA	TEFC	110/115	19	1
	135/165	10:1	18	GC24311	537	DS	11	2416C-KA	TEFC	110/115	19	1
1/8	34/41	40:1	90	GC25004	635	DS	16	2520C-KA	TEFC	110/115	19	2
	46/55	30:1	78	GC25006	635	DS	16	2520C-KA	TEFC	110/115	19	2
	69/82	20:1	57	GC25007	635	DS	16	2520C-KA	TEFC	110/115	19	2
	130/160	10:1	33	GC25008	635	DS	16	2520C-KA	TEFC	110/115	19	2
1/6	33/41	40:1	130	GC3320	701	DS	15	2524C-K	TEFC	110/115	19	3
	67/82	20:1	75	GC3321	701	DS	15	2524C-K	TEFC	110/115	19	3
	135/165	10:1	43	GC3322	701	DS	15	2524C-K	TEFC	110/115	19	3
	265/320	5:1	23	GC3324	701	DS	15	2524C-K	TEFC	110/115	19	3
Single Phase - Split Phase												
1/8	36/43	40:1	90	GC25009	635	DS	15	2420S-KA	TEFC	110/115	19	1
	48/57	30:1	78	GC25011	635	DS	15	2420S-KA	TEFC	110/115	19	1
	71/86	20:1	57	GC25012	635	DS	15	2420S-KA	TEFC	110/115	19	1
	140/170	10:1	33	GC25014	635	DS	15	2520S-KA	TEFC	110/115	19	2
Single Phase - Capacitor Start Induction Run												
1/6	35/42	40:1	130	GL3326	701	DS	18	2528L-K	TEFC	110/115	19	4
	71/85	20:1	75	GL3327	701	DS	18	2528L-K	TEFC	110/115	19	4
	135/165	10:1	43	GL3328	701	DS	18	2528L-K	TEFC	110/115	19	4
	280/335	5:1	23	GL3329	701	DS	18	2528L-K	TEFC	110/115	19	4
Three Phase												
1/4	35/42.8	40:1	170	GM3340	848	DS	16	2524M-K	TEFC	190/380//230/460	19	3
	70/85	20:1	112	GM3345	848	DS	16	2524M-K	TEFC	190/380//230/460	19	3
	140/170	10:1	72	GM3347	848	DS	16	2524M-K	TEFC	190/380//230/460	19	3
	279/340	5:1	36	GM3349	848	DS	16	2524M-K	TEFC	190/380//230/460	19	3

(a) Vertical motor below gearhead not recommended.

Avoiding those positions where the high speed oil seal is immersed in oil, will provide greater security against high speed input seal wear.

(b) See notes on inside back flap.

ATTENTION: Additional ratios, voltages, and ratings are available. Application specific modifications are common, such as custom shaft dimensions, addition of brakes or encoders, specific power cords, and washdown features. Contact your local Baldor representative for assistance.

Definite Purpose Motors

Unit Handling Motors

Brake Motors

200 & 575 Volt Motors

IEC Frame Motors

50 Hertz Motors

Inverter/Vector Motors & Controls

DC Motors and Controls

Soft Start & Dynamic Brakes

Gearmotors and Gear Products

Variable Speed AC

Input Motor Hp	Output RPM 60 Hz	Gear Ratio	Speed Range (VT)	Max. Safe Torque In. Lbs. @ 60 Hz	Catalog Number (a)	List Price	Mult. Sym.	Ap'x. Shpg. Wgt.	Motor Type & Gear Style	Voltage @ 60 Hz	Notes (b)	Drawing Number See pg 288
Three Phase – Inverter Duty												
3/8	22	75:1	4-33	315	IDGM2509	868	E2	17	2528M-K	230	77	3
	28	60:1	5-41	252	IDGM2508	868	E2	17	2528M-K	230	77	3
	41	40:1	7 6-62	228	IDGM2506	868	E2	17	2528M-K	230	77	3
	83	20:1	12-123	138	IDGM2503	868	E2	17	2528M-K	230	77	3
	165	10:1	23-246	105	IDGM2501	868	E2	17	2528M-K	230	77	3
	330	5:1	43-490	68	IDGM2500	868	E2	17	2528M-K	230	77	3

Permanent Magnet DC

Input Motor Hp	Output Base Speed	Gear Ratio	Max. Safe Torque In. Lbs.	Catalog Number (a)	List Price	Mult. Sym.	Ap'x. Shpg. Wgt.	Motor Type & Gear Style	Voltage D.C. Armature	Full Load Amperage Armature	Notes (b)	Drawing Number See pg 288
90 VDC												
1/12	43	40:1	73	GP12511	690	DS	10	2416P-K	90	1.00		5
	86	20:1	39	GP12512	690	DS	10	2416P-K	90	1.00		5
	173	10:1	22	GP12514	690	DS	10	2416P-K	90	0.90		5
	346	5:1	10	GP12516	690	DS	10	2416P-K	90	0.90		5
1/6	43	40:1	135	GP13530	725	DS	13	2428P-K	90	1.73		5
	57	30:1	111	GP13531	725	DS	13	2428P-K	90	1.73		5
	88	20:1	88	GP13532	725	DS	13	2428P-K	90	1.73		5
	173	10:1	48	GP13533	725	DS	13	2428P-K	90	1.73		5
	346	5:1	24	GP13536	725	DS	13	2428P-K	90	1.73		5

(a) Vertical motor below gearhead not recommended.

Avoiding those positions where the high speed oil seal is immersed in oil, will provide greater security against high speed input seal wear.

(b) See notes on inside back flap.

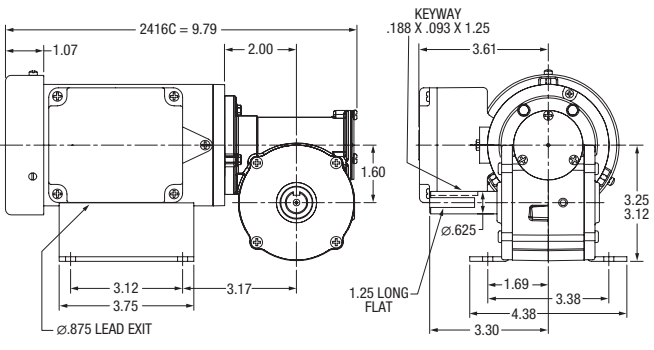
ATTENTION: Additional ratios, voltages, and ratings are available. Application specific modifications are the common, such as custom shaft dimensions, addition of brakes or encoders, specific power cords, and washdown features. Contact your local Baldor representative for assistance.

See page 210 for matching AC Drives and page 258 for matching DC Drives.

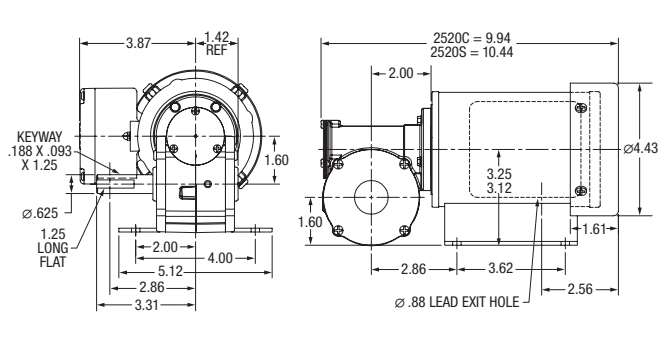
Definite Purpose Motors
 Unit Handling Motors
 Brake Motors
 200 & 575 Volt Motors
 IEC Frame Motors
 50 Hertz Motors
 Inverter/Vector Motors & Controls
 DC Motors and Controls
 Soft Starters & Dynamic Brakes
 Gearmotors and Gear Products

Definite Purpose Motors
 Unit Handling Motors
 Brake Motors
 200 & 575 Volt Motors
 IEC Frame Motors
 50 Hertz Motors
 Inverter/Vector Motors & Controls
 DC Motors and Controls
 Soft Start & Dynamic Brakes
 Gearmotors and Gear Products

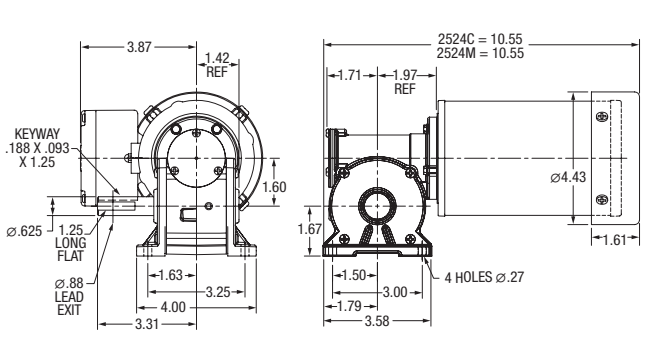
1. 24 KA (AC voltage)



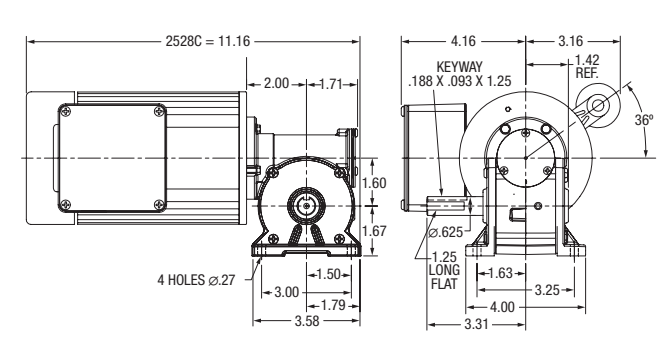
2. 25 KA (AC voltage)



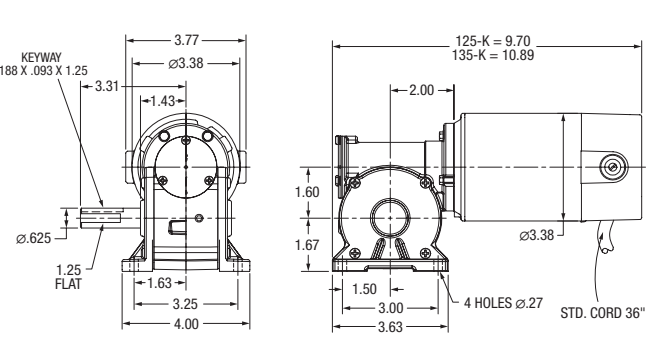
3. 25 K (AC voltage)

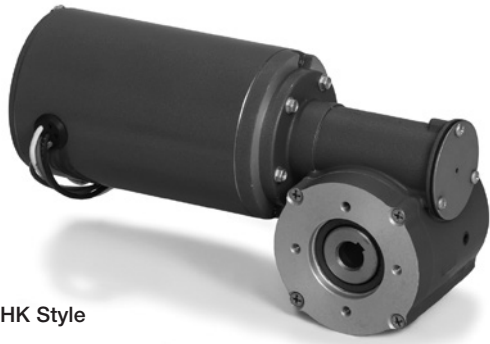


4. 25 K (AC voltage)



5. K (DC voltage)





HK Style

Applications: Conveyors, material handling equipment, packaging machinery, medical and laboratory equipment, printing presses, commercial ovens, and machine tools.

Features: Ball bearing on output for smooth torque transmission. High strength bronze gearing with hardened and ground worm for quiet operation and increased radial load capacity. High performance low friction, bidirectional motor seals. Permanently lubricated with synthetic oil. Internal oil expansion bladder allows for multi-position mounting without the need to relocate breather vents. Class F insulation.

Variable Speed AC

Input Motor Hp	Output RPM 60 Hz	Gear Ratio	Speed Range	Max. Safe Torque In. Lbs. @ 60 Hz	Catalog Number (a)	List Price	Mult. Sym.	Ap'x. Shpg. Wgt.	Motor Type & Gear Style	Voltage @ 60 Hz	Notes (b)	Drawing Number
Three Phase – Inverter Duty												
3/8	22	75:1	3 - 33	315	IDGHM2509	998	E2	19	2528M-HK	230	77	1
	28	60:1	5 - 41	252	IDGHM2508	998	E2	19	2528M-HK	230	77	1
	41	40:1	7 - 62	228	IDGHM2506	998	E2	19	2528M-HK	230	77	1
	55	30:1	9 - 82	195	IDGHM2504	998	E2	19	2528M-HK	230	77	1
	83	20:1	12 - 123	138	IDGHM2503	998	E2	19	2528M-HK	230	77	1
	165	10:1	23 - 246	105	IDGHM2501	998	E2	19	2528M-HK	230	77	1
330	5:1	43 - 490	68	IDGHM2500	998	E2	19	2528M-HK	230	77	1	

Permanent Magnet DC

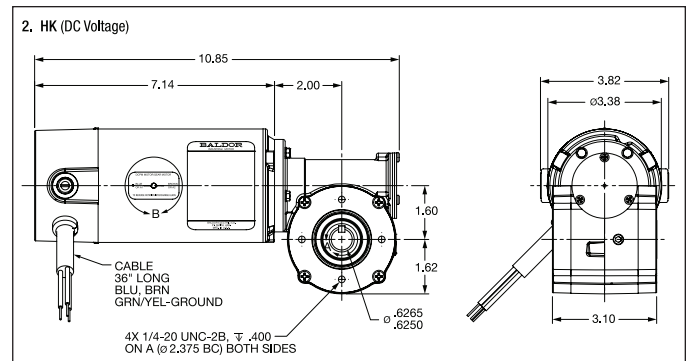
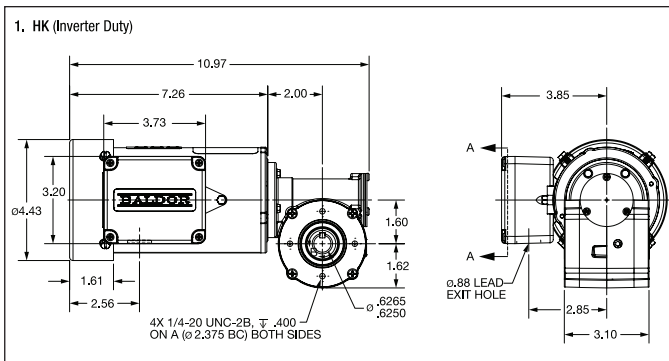
Input Motor Hp	Output Base Speed	Gear Ratio	Max. Safe Torque In. Lbs.	Catalog Number (a)	List Price	Mult. Sym.	Ap'x. Shpg. Wgt.	Motor Type & Gear Style	Voltage D.C. Armature	Full Load Amperage Armature	Notes (b)	Drawing Number
90 VDC												
1/6	43	40:1	135	GHP13530	834	DS	15	2528P-HK	90	1.73		2
	57	30:1	111	GHP13531	834	DS	15	2528P-HK	90	1.73		2
	88	20:1	88	GHP13532	834	DS	15	2528P-HK	90	1.73		2
	173	10:1	48	GHP13533	834	DS	15	2528P-HK	90	1.73		2
	346	5:1	24	GHP13536	834	DS	15	2528P-HK	90	1.73		2

(a) Vertical motor below gearhead not recommended.

Avoiding those positions where the high speed oil seal is immersed in oil, will provide greater security against high speed input seal wear.

(b) See notes on inside back flap.

ATTENTION: Additional ratios, voltages, and ratings are available. Application specific modifications are the common, such as custom shaft dimensions, addition of brakes or encoders, specific power cords, and washdown features. Contact your local Baldor representative for assistance. See page 210 for matching AC Drives and page 258 for matching DC Drives.



Applications: Conveyors, material handling equipment, packaging machinery, medical and laboratory equipment, printing presses, commercial ovens, and machine tools.

Features: Permaglide sleeve bearing on output for smooth torque transmission. High strength bronze gearing with hardened and ground worm for quiet operation. High performance low friction, bidirectional motor seals. Permanently lubricated with synthetic oil. Internal oil expansion bladder allows for multi-position mounting without the need to relocate breather vents. Class F insulation.



GC24322 Shown
CB Style

Fixed Speed AC

Input Motor Hp	Output RPM 50/60 Hz	Gear Ratio	Max. Safe Torque In. Lbs. @ 60 Hz	Catalog Number (a)	List Price	Mult. Sym.	Ap'x. Shpg. Wgt.	Motor Type & Gear Style	Enclosure	Voltage	Notes (b)	Drawing Number <i>See pg 291</i>
Single Phase – Permanent Split Capacitor												
1/12	23/27.7	58:1	75	GC24322	540	DS	13	2420C-CB	TENV	110/115	19, 78	1
	41/49.6	33:1	62	GC24320	540	DS	13	2420C-CB	TENV	110/115	19, 78	1
	60/71	22.5	49	GC24318	540	DS	13	2420C-CB	TENV	110/115	19, 78	1
	123/148	11:1	25	GC24316	540	DS	13	2420C-CB	TENV	110/115	19, 78	1
Three Phase												
1/6	156	22.5:1	42	GM3331	738	DS	13	2512M-CA	TENV	208/230-460	33	2

Permanent Magnet DC

Input Motor Hp	Output Base Speed	Gear Ratio	Max. Safe Torque In. Lbs.	Catalog Number (a)	List Price	Mult. Sym.	Ap'x. Shpg. Wgt.	Motor Type & Gear Style	Voltage D.C. Armature	Full Load Amperage Armature	Notes (b)	Drawing Number <i>See pg 291</i>
90 VDC												
1/25	22	72:1	45	GP231004	542	DS	8	2314P-CB	90	0.53		3
	30	58:1	38	GP232003	542	DS	8	2314P-CB	90	0.53		3
1/16	38	45:1	57	GP233006	561	DS	8	2318P-CB	90	0.80		3
	52	33:1	48	GP233005	561	DS	8	2318P-CB	90	0.75		3
	76	22.5:1	33	GP233004	561	DS	8	2318P-CB	90	0.85		3
180 VDC												
1/16	41	45:1	57	GP233026	561	DS	8	2318P-CB	180	0.42		3
	53	33:1	48	GP233025	561	DS	8	2318P-CB	180	0.40		3
1/14	20	22.5:1	76	GP233024	561	DS	8	2318P-CB	180	0.42		3

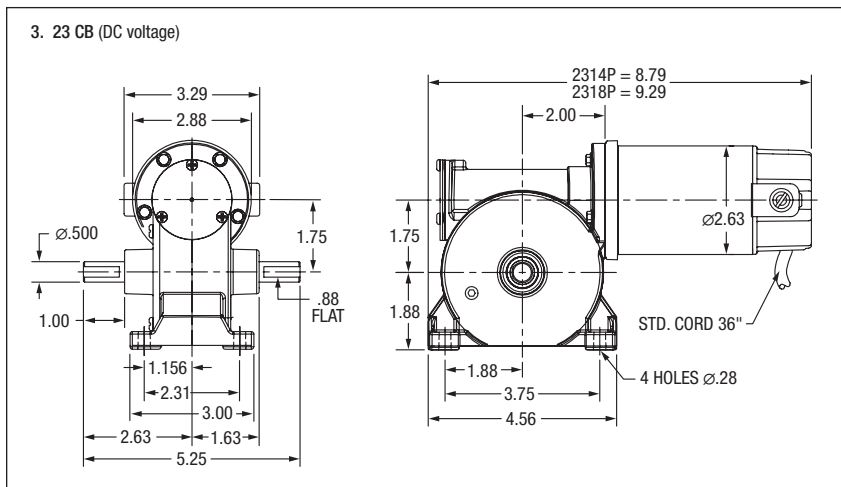
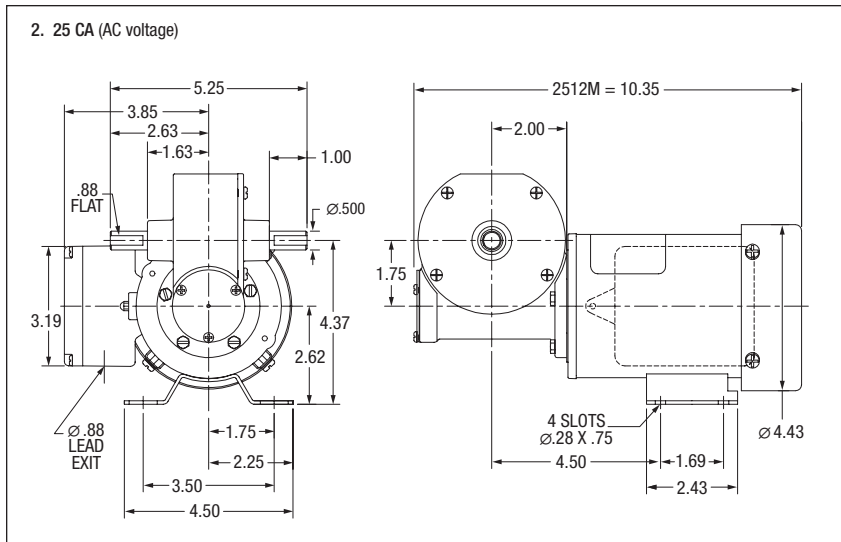
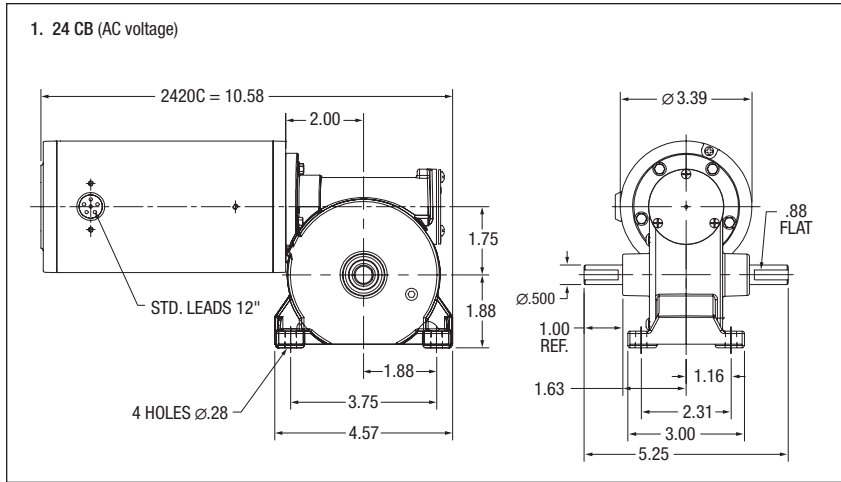
(a) Vertical motor below gearhead not recommended.

Avoiding those positions where the high speed oil seal is immersed in oil, will provide greater security against high speed input seal wear.

(b) See notes on inside back flap.

ATTENTION: Additional ratios, voltages, and ratings are available. Application specific modifications are the common, such as custom shaft dimensions, addition of brakes or encoders, specific power cords, and washdown features. Contact your local Baldor representative for assistance.

See page 264 for matching DC Drives.



Definite Purpose Motors

Unit Handling Motors

Brake Motors

200 & 575 Volt Motors

IEC Frame Motors

50 Hertz Motors

Inverter/Vector Motors & Controls

DC Motors and Controls

Soft Starters & Dynamic Brakes

Gearmotors and Gear Products

Applications: Conveyors, material handling equipment, packaging machinery, medical and laboratory equipment, printing presses, commercial ovens, and machine tools.

Features: Ball bearing on output for smooth torque transmission. High strength bronze gearing with hardened and ground worm for quiet operation and increased radial load capacity. High performance low friction, bidirectional motor seals. Permanently lubricated with synthetic oil. Internal oil expansion bladder allows for multi-position mounting without the need to relocate breather vents.



GM2503 Shown
JH Style

Fixed Speed AC

Input Motor Hp	Output RPM 50/60 Hz	Gear Ratio	Max. Safe Torque In. Lbs. @ 60 Hz	Catalog Number (a)	List Price	Mult. Sym.	Ap'x. Shpg. Wgt.	Motor Type & Gear Style	Enclosure	Voltage	Notes (b)	Drawing Number <i>See pg 294</i>
Single Phase – Split Phase												
1/8	30/37	45:1	125	GC25020	643	DS	16	2524S-JK	TEFC	115	19, 20	1
	43/50	33:1	10	GC25015	643	DS	16	2524S-JK	TEFC	115	19, 20	1
	62/74	22.5:1	79	GC25010	643	DS	16	2524S-JK	TEFC	115	19, 20	1
	126/152	11:1	41	GC25005	643	DS	16	2524S-JK	TEFC	115	19, 20	1
1/4	74	22.5:1	152	GC3330	701	DS	26	3324S-JK	TEFC	115	33	2
	151	11:1	70	GC3325	701	DS	26	3324S-JK	TEFC	115	33	2
Three Phase												
1/6	38	40:1	125	GM3337	852	DS	16	2520M-JK	TEFC	208-230/460	20, 33	3
	75	22.5:1	85	GM3334	852	DS	15	2520M-JK	TEFC	208-230/460	20, 33	3
1/4	104	33:1	75	GM3338	852	DS	16	2520M-JK	TEFC	208-230/460	20, 33	3
1/3	34	50:1	256	GM2507	867	DS	18	2528M-JH	TEFC	208-230/460	20, 33	4
	42	40:1	230	GM2506	867	DS	18	2528M-JH	TEFC	208-230/460	20, 33	4
	84	20:1	155	GM2503	867	DS	18	2528M-JH	TEFC	208-230/460	20, 33	4
	168	10:1	90	GM2501	867	DS	18	2528M-JH	TEFC	208-230/460	20, 33	4
1/2	35	50:1	295	GM3307	873	DS	26	3320M-JH	TEFC	208-230/460	33	5
	44	40:1	280	GM3306	873	DS	26	3320M-JH	TEFC	208-230/460	33	5
	88	20:1	200	GM3303	873	DS	27	3320M-JH	TEFC	208-230/460	33	5
	175	10:1	135	GM3301	873	DS	26	3320M-JH	TEFC	208-230/460	33	5

Variable Speed AC

Input Motor Hp	Output RPM 60 Hz	Gear Ratio	Speed Range (VT)	Max. Safe Torque In. Lbs. @ 60 Hz	Catalog Number (a)	List Price	Mult. Sym.	Ap'x. Shpg. Wgt.	Motor Type & Gear Style	Voltage @ 60 Hz	Notes (b)	Drawing Number <i>See pg 294</i>
Three Phase – Inverter Duty												
1/2	28.7	60:1	4.8-43	413	IDGM3303	942	E2	28	3324M-JH	230	20, 77	9
	57.5	30:1	9.6-86	355	IDGM3302	942	E2	28	3324M-JH	230	20, 77	9
3/4	170	10:1	28.6-258	230	IDGM3301	961	E2	30	3332M-JH	230	20, 77	9
	340	5:1	57.5-517	125	IDGM3300	961	E2	30	3332M-JH	230	20, 77	9

(a) Vertical motor below gearhead not recommended.

Avoiding those positions where the high speed oil seal is immersed in oil, will provide greater security against high speed input seal wear.

(b) See notes on inside back flap.

Red Catalog Number indicates **NEW** Product

ATTENTION: Additional ratios, voltages, and ratings are available. Application specific modifications are the common, such as custom shaft dimensions, addition of brakes or encoders, specific power cords, and washdown features. Contact your local Baldor representative for assistance.

See page 210 for matching AC Drives.

Definite Purpose Motors

Unit Handling Motors

Brake Motors

200 & 575 Volt Motors

IEC Frame Motors

50 Hertz Motors

Inverter/Vector Motors & Controls

DC Motors and Controls

Soft Start & Dynamic Brakes

Gearmotors and Gear Products

Permanent Magnet DC

Input Motor Hp	Output Base Speed	Gear Ratio	Max. Safe Torque In. Lbs. @ 60 Hz	Catalog Number (a)	List Price	Mult. Sym.	Ap'x. Shpg. Wgt.	Motor Type & Gear Style	Voltage D.C. Armature	Full Load Amperage Armature	Notes (b)	Drawing Number See pg 294
90 VDC												
1/8	30	58:1	120	GP7404	770	DS	13	2424P-JK	90	1.3	20	6
	38	45:1	100	GP7403	770	DS	14	2424P-JK	90	1.3	20	6
	52	33:1	75	GP7402	770	DS	14	2424P-JK	90	1.3	20	6
	75	22.5:1	60	GP7401	770	DS	14	2424P-JK	90	1.3	20	6
	173	11:1	32	GP7400	770	DS	14	2424P-JK	90	1.3	20	6
1/5	50	45:1	120	GP7408	770	DS	14	2428P-JK	90	2	20	6
1/4	68	33:1	112	GP7405	770	DS	14	2428P-JK	90	2.5	20	6
	76	45:1	100	GP7407	770	DS	14	2428P-JK	90	2.5	20	6
	104	33:1	75	GP7406	770	DS	14	2428P-JK	90	2.5	20	6
	314	8:1	32	GP7413	770	DS	14	2428P-JK	90	2.5	20	6
1/3	48	50:1	150	GP2507	944	DS	21	2532P-JH	90	3.4	20	7
	62	40:1	137	GP2506	944	DS	21	2532P-JH	90	3.4	20	7
	123	20:1	95	GP2503	944	DS	21	2532P-JH	90	3.4	20	7
	245	10:1	65	GP2501	944	DS	21	2532P-JH	90	3.4	20	7
1/2	50	50:1	234	GP3307	1,096	DS	30	3327P-JH	90	5	20	8
	63	40:1	215	GP3306	1,096	DS	30	3327P-JH	90	5	20	8
	125	20:1	145	GP3303	1,096	DS	30	3327P-JH	90	5	20	8
	250	10:1	100	GP3301	1,096	DS	30	3327P-JH	90	5	20	8
180 VDC												
1/8	30	58:1	120	GP7424	770	DS	14	2420P-JK	180	0.64	20	6
	38	45:1	100	GP7423	770	DS	14	2420P-JK	180	0.64	20	6
	52	33:1	75	GP7422	770	DS	14	2420P-JK	180	0.64	20	6
	78	22.5:1	60	GP7421	770	DS	14	2420P-JK	180	0.64	20	6
	173	11:1	32	GP7420	770	DS	14	2424P-JK	180	0.65	20	6
1/5	50	45:1	120	GP7428	770	DS	14	2428P-JK	180	1.1	20	6
1/4	68	45:1	135	GP7425	770	DS	14	2428P-JK	180	1.3	20	6
	76	45:1	100	GP7427	770	DS	14	2428P-JK	180	1.3	20	6
	104	33:1	75	GP7426	770	DS	14	2428P-JK	180	1.3	20	6
	314	11:1	32	GP7433	770	DS	14	2428P-JK	180	1.3	20	6

(a) Vertical motor below gearhead not recommended.

Avoiding those positions where the high speed oil seal is immersed in oil, will provide greater security against high speed input seal wear.

(b) See notes on inside back flap.

ATTENTION: Additional ratios, voltages, and ratings are available. Application specific modifications are the common, such as custom shaft dimensions, addition of brakes or encoders, specific power cords, and washdown features. Contact your local Baldor representative for assistance. See page 258 for matching DC Drives.

Definite Purpose Motors

Unit Handling Motors

Brake Motors

200 & 575 Volt Motors

IEC Frame Motors

50 Hertz Motors

Inverter/Vector Motors & Controls

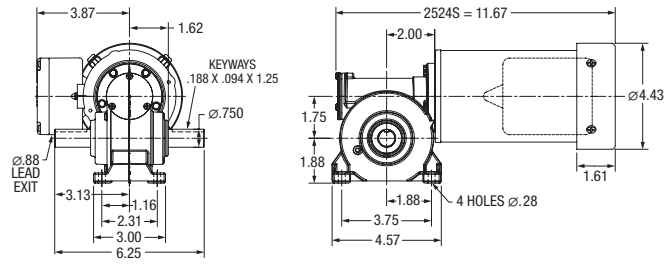
DC Motors and Controls

Soft Starters & Dynamic Brakes

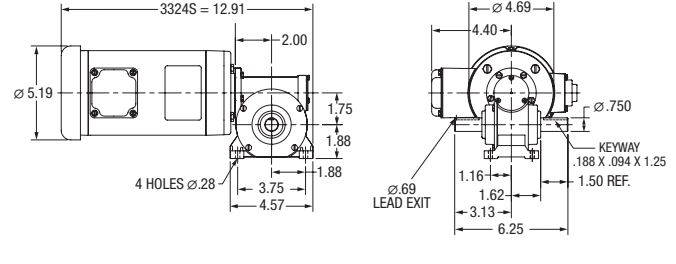
Gearmotors and Gear Products

Definite Purpose Motors
 Unit Handling Motors
 Brake Motors
 200 & 575 Volt Motors
 IEC Frame Motors
 50 Hertz Motors
 Inverter/Vector Motors & Controls
 DC Motors and Controls
 Soft Start & Dynamic Brakes
 Gearmotors and Gear Products

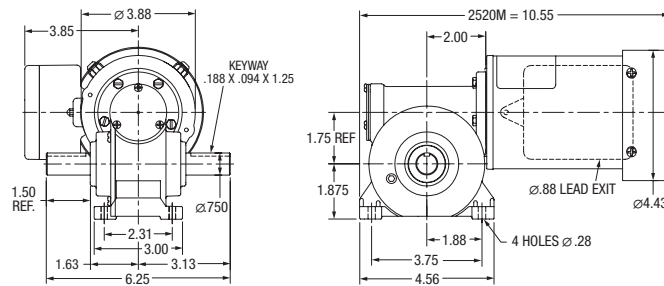
1. 25 JK (Single Phase)



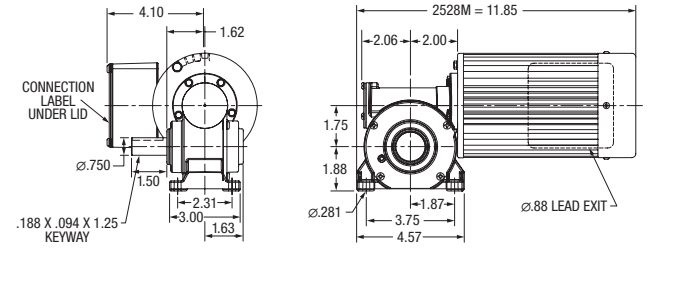
2. 33 JK (Single Phase)



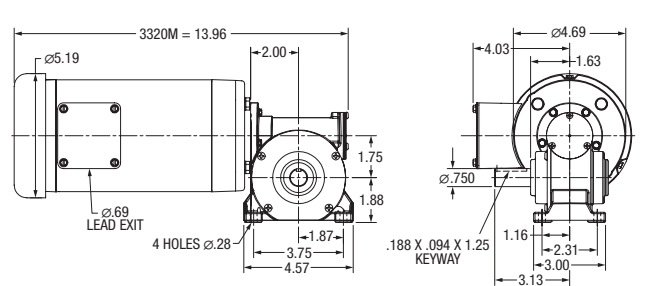
3. 25 JK (Three Phase)



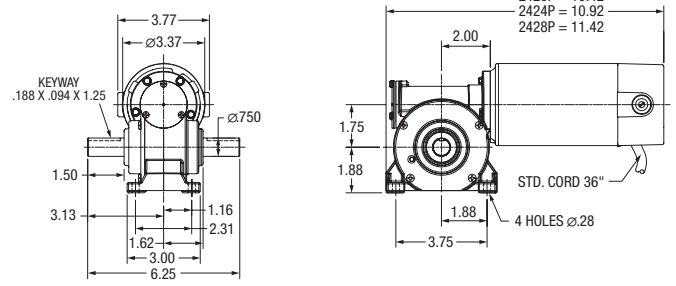
4. 25 JH (Three Phase)



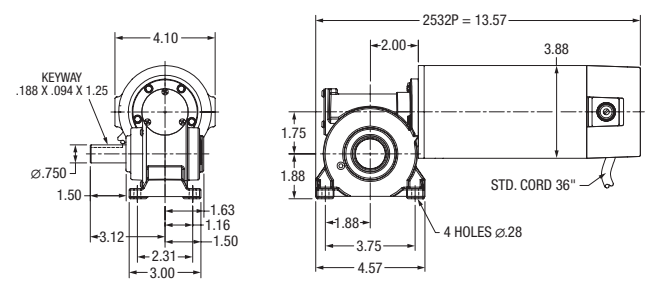
5. 33 JH (Three Phase)



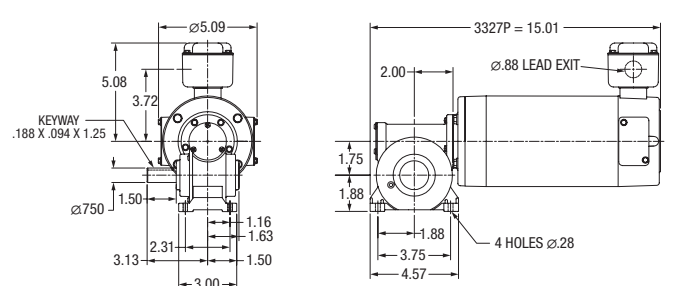
6. 24 JK (DC voltage)



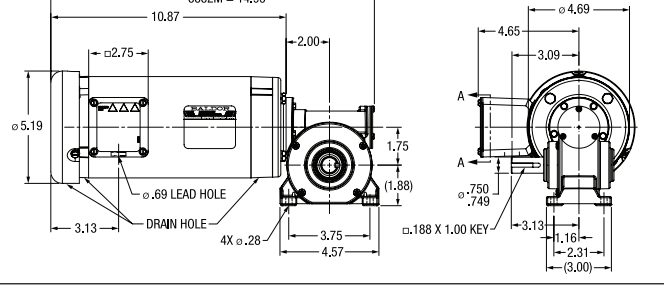
7. 25 JH (DC voltage)



8. 33 JH (DC voltage)



9. 33 JH (Inverter Duty)





GPF13517 Shown
JAF Style

Applications: Conveyors, material handling equipment, packaging machinery, medical and laboratory equipment, printing presses, commercial ovens, and machine tools.

Features: DCPM motor provides exceptional starting torque, adjustable speed, and predictable operating conditions. Ball bearing on output for smooth torque transmission. High strength bronze gearing with hardened and ground worm for quiet operation and increased radial load capacity. High performance low friction, bidirectional motor seals. Permanently lubricated with synthetic oil. Internal oil expansion bladder allows for multi-position mounting without the need to relocate breather vents. Class F insulation.

Permanent Magnet DC

Input Motor Hp	Output Base Speed	Gear Ratio	Max. Safe Torque In. Lbs.	Catalog Number (a)	List Price	Mult. Sym.	Ap'x. Shpg. Wgt.	Motor Type & Gear Style	Voltage D.C. Armature	Full Load Amperage Armature	Notes (b)
90 VDC											
1/4	312	8:1	38	GPF13514	799	DS	15	2428P-JAF	90	2.50	
	167	15:1	69	GPF13515	799	DS	15	2428P-JAF	90	2.50	
	111	22.5:1	96	GPF13516	799	DS	15	2428P-JAF	90	2.50	
	76	33:1	110	GPF13517	799	DS	15	2428P-JAF	90	2.50	
180 VDC											
1/5	167	15:1	55	GPF13530	799	DS	15	135-JAF	180	1.00	
	76	33:1	88	GPF13532	799	DS	15	135-JAF	180	1.00	

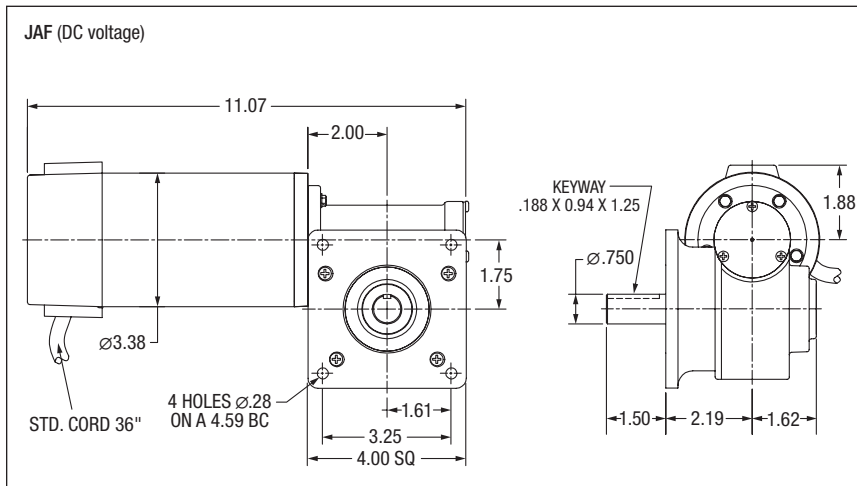
(a) Vertical motor below gearhead not recommended.

Avoiding those positions where the high speed oil seal is immersed in oil, will provide greater security against high speed input seal wear.

(b) See notes on inside back flap.

ATTENTION: Additional ratios, voltages, and ratings are available. Application specific modifications are common, such as custom shaft dimensions, addition of brakes or encoders, specific power cords, and washdown features. Contact your local Baldor representative for assistance.

See page 258 for matching DC Drives.



Definite Purpose Motors

Unit Handling Motors

Brake Motors

200 & 575 Volt Motors

IEC Frame Motors

50 Hertz Motors

Inverter/Vector Motors & Controls

DC Motors and Controls

Soft Starters & Dynamic Brakes

Gearmotors and Gear Products

H Style Right Angle Gearmotors



GHL and GHM Shown
H Style

Applications: Conveyors, material handling equipment, packaging machinery, medical and laboratory equipment, printing presses, commercial ovens, and machine tools.

Features: Ball bearing on output for smooth torque transmission. High strength bronze gearing with hardened and ground worm for quiet operation and increased radial load capacity. High performance low friction, bidirectional motor seals. Permanently lubricated with synthetic oil. Internal oil expansion bladder allows for multi-position mounting without the need to relocate breather vents.

Fixed Speed AC

Input Motor Hp	Output RPM 60 Hz	Gear Ratio	Max. Safe Torque In. Lbs. @ 60 Hz	Catalog Number (a)	List Price	Mult. Sym.	Ap'x. Shpg. Wgt.	Motor Type & Gear Style	Enclosure	Voltage	Notes (b)
Single Phase											
1/2	29	60:1	600	GHL35060	1,123	DS	45	3421L-H	TEFC	115/230	33
	58	30:1	350	GHL35030	1,123	DS	45	3421L-H	TEFC	115/230	33
	88	20:1	250	GHL35020	1,123	DS	45	3421L-H	TEFC	115/230	33
	175	10:1	150	GHL35010	1,123	DS	45	3421L-H	TEFC	115/230	33
3/4	58	30:1	550	GHL37530	1,208	DS	50	3428LC-H	TEFC	115/230	33
	88	20:1	420	GHL37520	1,208	DS	50	3428LC-H	TEFC	115/230	33
	175	10:1	230	GHL37510	1,208	DS	50	3428LC-H	TEFC	115/230	33
1	58	30:2	750	GHL31030	1,379	DS	55	3524L-H	TEFC	115/230	33
	88	20:1	550	GHL31020	1,379	DS	55	3524L-H	TEFC	115/230	33
	175	10:1	300	GHL31010	1,379	DS	55	3524L-H	TEFC	115/230	33
Three Phase											
1/2	29	60:1	600	GHM35060	1,083	DS	40	3416M-H	TEFC	230/460	30, 33
	35	50:1	609	GHM35050	1,083	DS	40	3416M-H	TEFC	230/460	30, 33
	44	40:1	528	GHM35040	1,083	DS	40	3416M-H	TEFC	230/460	30, 33
	58	30:1	350	GHM35030	1,083	DS	40	3416M-H	TEFC	230/460	30, 33
	87	20:1	200	GHM35020	1,083	DS	40	3416M-H	TEFC	230/460	30, 33
	174	10:1	135	GHM35010	1,083	DS	40	3416M-H	TEFC	230/460	30, 33
3/4	58	30:1	550	GHM37530	1,114	DS	42	3420M-H	TEFC	208-230/460	33
	88	20:1	420	GHM37520	1,114	DS	42	3420M-H	TEFC	208-230/460	33
	175	10:1	230	GHM37510	1,114	DS	42	3420M-H	TEFC	208-230/460	33
1	58	30:1	750	GHM31030	1,114	DS	45	3426M-H	TEFC	208-230/460	33
	88	20:1	550	GHM31020	1,114	DS	45	3426M-H	TEFC	208-230/460	33
	175	10:1	300	GHM31010	1,114	DS	45	3426M-H	TEFC	208-230/460	33

(a) Vertical motor below gearhead not recommended.

Avoiding those positions where the high speed oil seal is immersed in oil, will provide greater security against high speed input seal wear.

(b) See notes on inside back flap.

ATTENTION: Additional ratios, voltages, and ratings are available. Application specific modifications are common, such as custom shaft dimensions, addition of brakes or encoders, specific power cords, and washdown features. Contact your local Baldor representative for assistance.

H Gearbox Accessories



Baldor offers optional base and shaft kits for H style gearmotors. Adding a base and shaft kit allows them to be used in applications requiring a rightangle shaft extension. The shaft can be used for either right or left hand output applications.

Catalog Number	Description	List Price	Mult. Sym.	Ap'x. Shpg. Wgt.
B19H71	Horiz Base Kit	82	A8	1
SH10HS	Output Shaft Kit	26	A8	2
TA05HK	Torque Arm Kit	88	A8	2



GCP24114 Shown
PSSH Style

Applications: Conveyors, packaging machinery, medical and laboratory equipment, printing presses, commercial ovens, and machine tools.

Features: Induction hardened helical and spur gears for extra strength. Ball and needle-bearing construction for improved torque capacity. Factory lubricated for life, no maintenance required. Industry standard dimensions. An optional bolt-on base is available for foot mounting on page 304 ("L" Type Mtg Bracket).

Fixed Speed AC

Input Motor Hp	Output RPM 50/60 Hz.	Gear Ratio	Stages	Max. Safe Torque In. Lbs. @ 60 Hz	Catalog Number (a)	List Price	Mult. Sym.	Ap'x. Shpg. Wgt.	Motor Type & Gear Style	Enclosure	Voltage	Notes (b)	Drawing Number See Pg 298
Single Phase – Permanent Split Capacitor													
1/100	1.1/1.3	1320	5	101	GCP24369	595	DS	10	2412C-PSSH	TENV	115	19, 20, 78	2
	1.9/2.3	720	5	100	GCP24702	595	DS	10	2412C-PSSH	TENV	115	19, 20, 78	2
1/80	4.3/5.2	320	4	100	GCP24362	567	DS	10	2412C-PSSH	TENV	115	19, 20, 78	2
	7.7/9.2	180	4	76	GCP24186	567	DS	10	2412C-PSSH	TENV	115	19, 20, 78	2
1/40	7.6/9.4	180:1	4	120	GCP24114	567	DS	10	2412C-PSSH	TENV	115	19, 20, 78	2
1/25	15.3/18	90:1	4	120	GCP24122	567	DS	10	2416C-PSSH	TENV	115	19, 20, 78	2
	23/27.3	60:1	3	80.7	GCP24124	561	DS	10	2416C-PSSH	TENV	115	19, 20, 78	1
1/20	14/16	100	3	100	GCP24100	561	DS	10	2416C-PSSH	TENV	115	19, 20, 78	1
	18/22	75	3	100	GCP24072	561	DS	10	2416C-PSSH	TENV	115	19, 20, 78	1
	28/33	50	3	96	GCP24050	561	DS	10	2416C-PSSH	TENV	115	19, 20, 78	1
	36/43	37.95	3	62	GCP24037	561	DS	10	2416C-PSSH	TENV	115	19, 20, 78	1
	55/66	25	2	49	GCP24026	542	DS	10	2416C-PSSH	TENV	115	19, 20, 78	1
	84/100	16.43	2	30	GCP24017	542	DS	10	2416C-PSSH	TENV	115	19, 20, 78	1
	109/130	12.65	2	25	GCP24013	542	DS	10	2416C-PSSH	TENV	115	19, 20, 78	1
	138/165	10	2	20	GCP24010	542	DS	10	2416C-PSSH	TENV	115	19, 20, 78	1
	210/252	6.55	2	13	GCP24007	542	DS	10	2416C-PSSH	TENV	115	19, 20, 78	1
1/12	275/330	5	2	10	GCP24005	542	DS	10	2416C-PSSH	TENV	115	19, 20, 78	1
	45/54.8	30:1	3	83.7	GCP24134	561	DS	10	2424C-PSSH	TENV	115	19, 20, 78	1
	68/82.5	20:1	2	55.8	GCP24136	542	DS	10	2424C-PSSH	TENV	115	19, 20, 78	1
	90/109	15:1	2	42.8	GCP24138	542	DS	10	2424C-PSSH	TENV	115	19, 20, 78	1
	136/163	10:1	2	28.5	GCP24140	542	DS	10	2424C-PSSH	TENV	115	19, 20, 78	1
272/326	5:1	2	14.3	GCP24142	542	DS	10	2424C-PSSH	TENV	115	19, 20, 78	1	

Variable Speed AC

Input Motor Hp	Output RPM 60 Hz	Gear Ratio	Stages	Speed Range (VT)	Max. Safe Torque In. Lbs. @ 60 Hz	Catalog Number (a)	List Price	Mult. Sym.	Ap'x. Shpg. Wgt.	Motor Type & Gear Style	Voltage @ 60 Hz	Notes (b)	Drawing Number See Pg 298
Three Phase – Inverter Duty													
1/25	10	180:1	4	1.6-14.4	144	IDGMP24180	613	E2	11	2412M-PSSH	230	77	3
1/15	19	90:1	4	3.1-28.2	144	IDGMP24090	613	E2	11	2416M-PSSH	230	77	3
	29	60:1	3	4.6-41.8	130	IDGMP24060	595	E2	11	2416M-PSSH	230	77	3
1/8	58	30:1	3	9.2-82.5	125	IDGMP24030	595	E2	10	2424M-PSSH	230	77	4
	86	20:1	2	14-126	142	IDGMP24020	561	E2	10	2524M-PSSH	230	77	5
1/4	172	10:1	2	27.8-250	86	IDGMP24010	561	E2	10	2524M-PSSH	230	77	5
	345	5:1	2	55.8-502	44	IDGMP24005	561	E2	10	2524M-PSSH	230	77	5

(a) Vertical motor below gearhead not recommended.

Avoiding those positions where the high speed oil seal is immersed in oil, will provide greater security against high speed input seal wear.

(b) See notes on inside back flap.

Red Catalog Number indicates **NEW** Product

ATTENTION: Additional ratios, voltages, and ratings are available. Application specific modifications are the common, such as custom shaft dimensions, addition of brakes or encoders, specific power cords, and washdown features. Contact your local Baldor representative for assistance.

Definite Purpose Motors

Unit Handling Motors

Brake Motors

200 & 575 Volt Motors

IEC Frame Motors

50 Hertz Motors

Inverter/Vector Motors & Controls

DC Motors and Controls

Soft Starters & Dynamic Brakes

Gearmotors and Gear Products

Definite Purpose
Motors

Unit Handling
Motors

Brake Motors

200 & 575 Volt
Motors

IEC Frame
Motors

50 Hertz
Motors

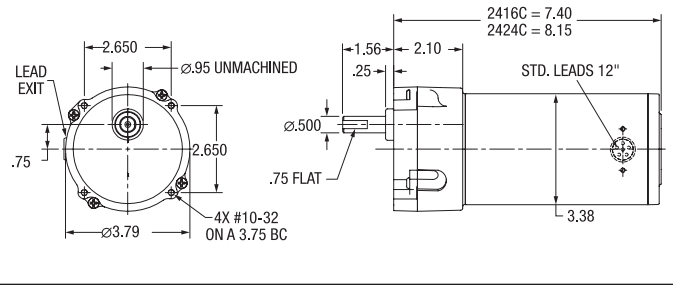
Inverter/Vector
Motors & Controls

DC Motors
and Controls

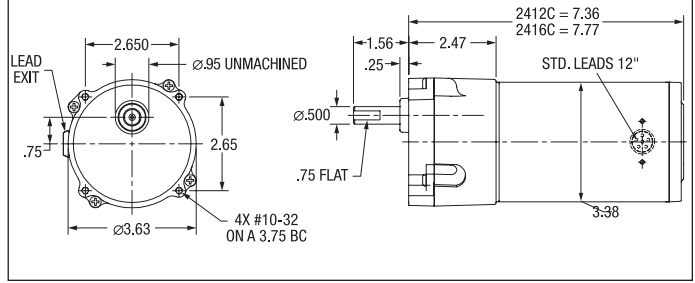
Soft Start &
Dynamic Brakes

Gearmotors and
Gear Products

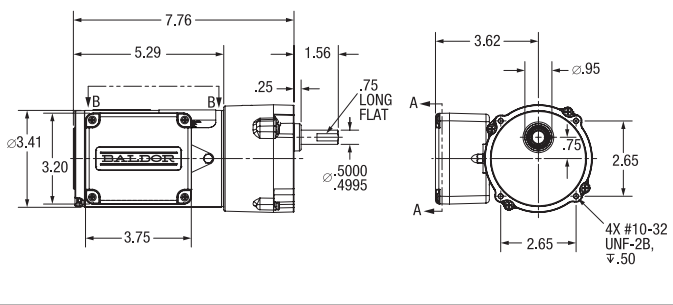
1. 24 - PSSH
2 & 3 STAGES



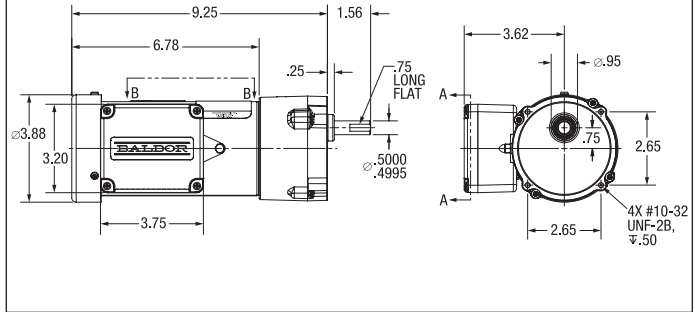
2. 24 - PSSH
4 & 5 STAGES



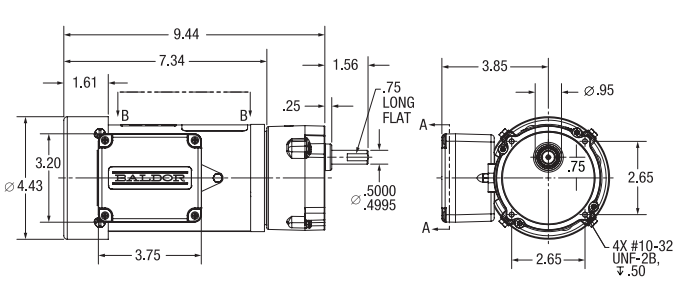
3. 24 - PSSH
4 STAGES



4. 24 - PSSH
3 STAGES



5. 25 - PSSH
2 STAGES



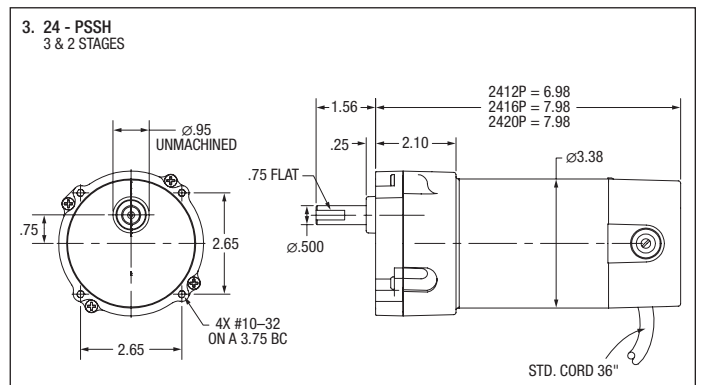
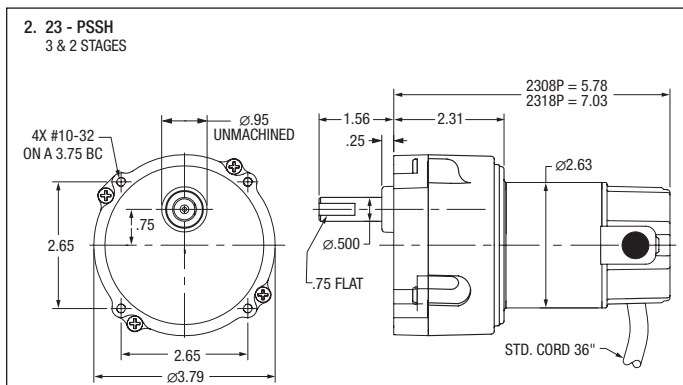
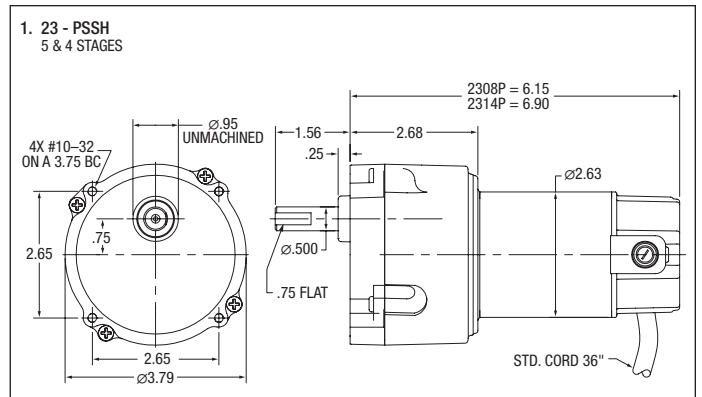
Permanent Magnet DC

Input Motor Hp	Output Base Speed	Gear Ratio	Stages	Max. Safe Torque In. Lbs.	Catalog Number (a)	List Price	Mult. Sym.	Ap'x. Shpg. Wgt.	Motor Type & Gear Style	Voltage D.C. Armature	Full Load Amperage Armature	Notes (b)	Drawing Number
90 VDC													
1/40	10	180:1	4	100	GPP230186	552	DS	7	2314P-PSSH	90	0.30	20	1
	13	135:1	4	100	GPP230139	552	DS	7	2314P-PSSH	90	0.30	20	1
1/45	9	180:1	4	100	GPP231108	552	DS	7	2308P-PSSH	90	0.30	20	1
1/21	19	90:1	4	118	GPP232110	552	DS	8	2314P-PSSH	90	0.50	20	1
1/50	29	60:1	3	40	GPP231109	542	DS	8	2308P-PSSH	90	0.30	20	2
1/20	25	75:1	3	100	GPP230072	542	DS	8	2318P-PSSH	90	0.60	20	2
	30	60:1	3	100	GPP233112	542	DS	8	2318P-PSSH	90	0.50	20	2
	49	37.95:1	3	55	GPP230037	542	DS	8	2318P-PSSH	90	0.60	20	2
	71	25:1	2	40	GPP230025	537	DS	7	2318P-PSSH	90	0.60	20	2
	95	20:1	2	30	GPP230019	537	DS	7	2318P-PSSH	90	0.60	20	2
	139	12.65:1	2	20	GPP230013	537	DS	7	2318P-PSSH	90	0.60	20	2
	185	10:1	2	15	GPP230010	537	DS	7	2318P-PSSH	90	0.60	20	2
	269	6.55:1	2	11	GPP230007	537	DS	7	2318P-PSSH	90	0.60	20	2
359	5:1	2	8	GPP230005	537	DS	7	2318P-PSSH	90	0.60	20	2	
1/17	60	30:1	3	50	GPP233111	542	DS	8	2318P-PSSH	90	0.50	20	2
1/35	120	20:1	2	9.5	GPP231110	537	DS	6	2308P-PSSH	90	0.20	20	2
1/12	43	60:1	3	112	GPP12505	542	DS	8	2412P-PSSH	90	0.90	20	3
	58	44:1	3	83	GPP12504	542	DS	8	2412P-PSSH	90	0.90	20	3
	125	20:1	2	38.5	GPP12502	537	DS	7	2412P-PSSH	90	0.90	20	3
	115	22:1	2	43	GPP12503	537	DS	7	2412P-PSSH	90	0.90	20	3
	250	10:1	2	19.7	GPP12501	537	DS	7	2412P-PSSH	90	0.90	20	3
180 VDC													
1/22	19	90:1	4	118	GPP233120	552	DS	8	2314P-PSSH	180	0.30	20	1
1/12	43	40:1	3	112	GPP12525	552	DS	11	2420P-PSSH	180	0.45	20	3
1/20	60	30:1	3	50	GPP233121	542	DS	8	2318P-PSSH	180	0.35	20	2
1/12	250	10:1	2	19.7	GPP12521	537	DS	7	2416P-PSSH	180	0.49	20	3

(a) Vertical motor below gearhead not recommended. Avoiding those positions where the high speed oil seal is immersed in oil, will provide greater security against high speed input seal wear.

(b) See notes on inside back flap.

ATTENTION: Additional ratios, voltages, and ratings are available. Application specific modifications are common, such as custom shaft dimensions, addition of brakes or encoders, specific power cords, and washdown features. Contact your local Baldor representative for assistance. See page 258 for matching DC Drives.



Definite Purpose Motors
 Unit Handling Motors
 Brake Motors
 200 & 575 Volt Motors
 IEC Frame Motors
 50 Hertz Motors
 Inverter/Vector Motors & Controls
 DC Motors and Controls
 Soft Starters & Dynamic Brakes
 Gearmotors and Gear Products

Applications: Conveyors, packaging machinery, medical and laboratory equipment, printing presses, commercial ovens, and machine tools.

Features: Induction hardened helical and spur gears for extra strength. Ball and needle-bearing construction for improved torque capacity. Factory lubricated for life, no maintenance required. Industry standard dimensions. Optional bases for foot or 3-point face mounting.



GCP24232 Shown
PSM Style

Fixed Speed AC

Input Motor Hp	Output RPM 50/60 Hz.	Gear Ratio	Stages	Max. Safe Torque In. Lbs. @ 60 Hz	Catalog Number (a)	List Price	Mult. Sym.	Ap'x. Shpg. Wgt.	Motor Type & Gear Style	Enclosure	Voltage	Notes (b)	Drawing Number See Pg 300
Single Phase – Permanent Split Capacitor													
1/15	15/18	90:1	4	237	GCP24232	647	DS	14	2424C-PSM	TENV	115	19, 20, 78	1
1/12	23/27	60:1	3	167	GCP24234	617	DS	14	2424C-PSM	TENV	115	19, 20, 78	1
Single Phase – Split Phase													
1/9	43/36	40:1	3	149	GCP25052	617	DS	14	2524S-PSM	TEFC	115	19, 20	2
	47/57	30:1	3	11	GCP25054	617	DS	14	2524S-PSM	TEFC	115	19, 20	2
	84/70	20:1	3	74	GCP25056	587	DS	14	2524S-PSM	TEFC	115	19, 20	2
	92/111	15:1	2	57	GCP25058	587	DS	14	2524S-PSM	TEFC	115	19, 20	2
	138/166	10:1	2	38	GCP25060	587	DS	14	2524S-PSM	TEFC	115	19, 20	2
	275/330	5:1	2	19	GCP25062	587	DS	14	2524S-PSM	TEFC	115	19, 20	2

Variable Speed AC

Input Motor Hp	Output RPM 60 Hz	Gear Ratio	Stages	Speed Range (VT)	Max. Safe Torque In. Lbs. @ 60 Hz	Catalog Number (a)	List Price	Mult. Sym.	Ap'x. Shpg. Wgt.	Motor Type & Gear Style	Voltage @ 60 Hz	Notes (b)	Drawing Number See Pg 301
Three Phase – Inverter Duty													
1/25	10	180:1	4	1.6-14.1	184	IDGMP25181	729	E2	14	2412M	230	77	3
1/15	19	90:1	4	3.1-27.9	176	IDGMP25091	729	E2	14	2416M	230	77	3
	29	60:1	3	4.6-41.25	204	IDGMP25061	698	E2	14	2424M	230	77	4
1/8	58	30:1	3	9.3-83.7	230	IDGMP25031	698	E2	14	2524M	230	77	5
1/4	86	20:1	2	13.9-125	162	IDGMP25021	698	E2	14	2524M	230	77	5
	172	10:1	2	27.8-250	86	IDGMP25011	667	E2	14	2524M	230	77	5
	345	5:1	2	55.8-502	44	IDGMP25006	667	E2	14	2524M	230	77	5

(a) Vertical motor below gearhead not recommended.

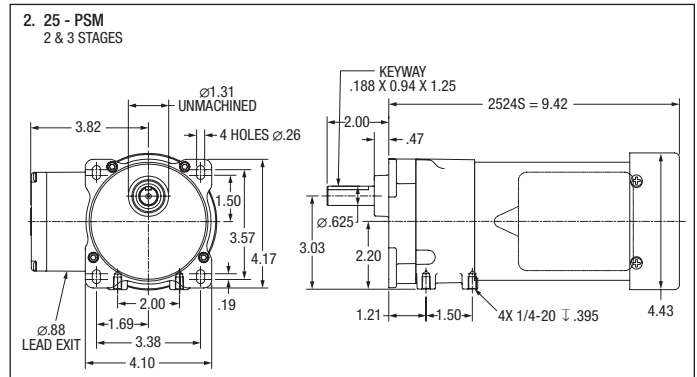
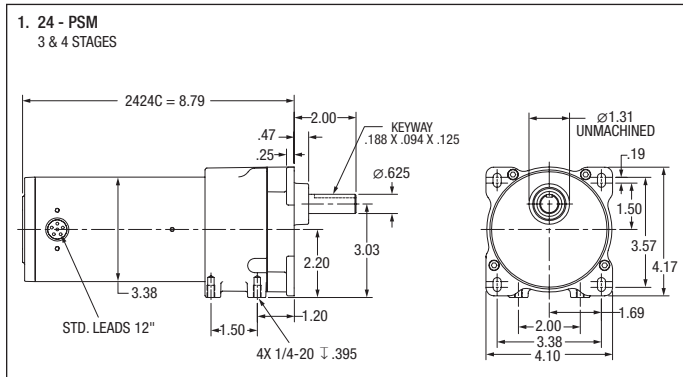
Avoiding those positions where the high speed oil seal is immersed in oil, will provide greater security against high speed input seal wear.

(b) See notes on inside back flap.

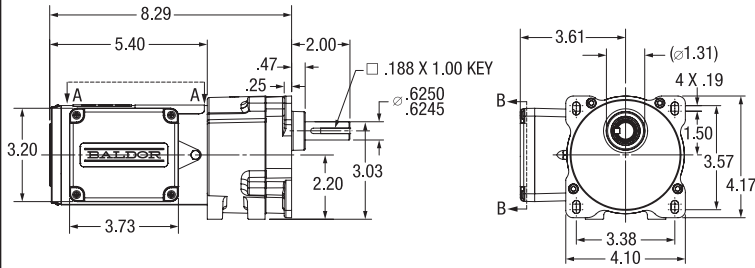
Red Catalog Number indicates **NEW** Product

ATTENTION: Additional ratios, voltages, and ratings are available. Application specific modifications are common, such as custom shaft dimensions, addition of brakes or encoders, specific power cords, and washdown features. Contact your local Baldor representative for assistance.

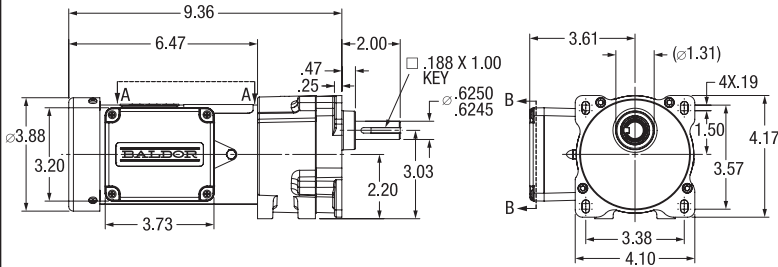
See page 210 for matching AC Drives.



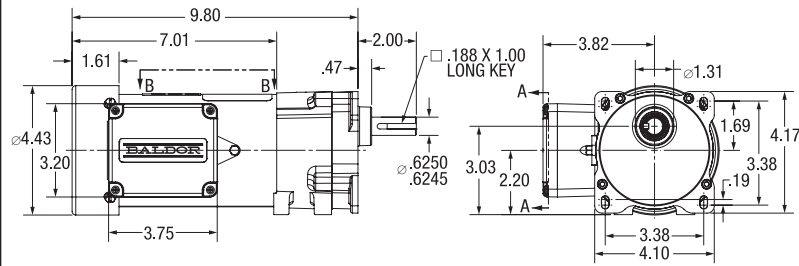
3. 24 - PSM
4 STAGES



4. 24 - PSM
3 STAGES



5. 25 - PSM
2 & 3 STAGES



Permanent Magnet DC

Input Motor Hp	Output Base Speed	Gear Ratio	Stages	Max. Safe Torque In. Lbs.	Catalog Number (a)	List Price	Mult. Sym.	Ap'x. Shpg. Wgt.	Motor Type & Gear Style	Voltage D.C. Armature	Full Load Amperage Armature	Notes (b)	Drawing Number
90 VDC													
1/20	34	50:1	3	85	GPP230053	675	DS	7	2318P-PSM	90	0.70	20	1
	7.5	240:1	4	190	GPP231329	693	DS	7	2318P-PSM	90	0.50	20	1
1/16	15.4	120:1	4	197	GPP233141	693	DS	8	2318P-PSM	90	0.80	20	1
1/15	18.6	90:1	4	180	GPP233140	693	DS	10	2318P-PSM	90	0.50	20	1
1/8	30	80:1	3	174	GPP12556	694	DS	12	2416P-PSM	90	1.30	20	2
	42	60:1	3	165	GPP12547	694	DS	12	2416P-PSM	90	1.30	20	2
	63	40:1	3	116	GPP12545	694	DS	12	2416P-PSM	90	1.30	20	2
	83	30:1	3	90	GPP12544	694	DS	12	2416P-PSM	90	1.30	20	2
	94	25:1	2	76	GPP12559	663	DS	12	2416P-PSM	90	1.30	20	2
	125	20:1	2	58	GPP12543	663	DS	12	2416P-PSM	90	1.30	20	2
	167	15:1	2	45	GPP12542	663	DS	10	2416P-PSM	90	1.30	20	2
	360	7:1	2	20	GPP12555	663	DS	12	2416P-PSM	90	1.30	20	2
1/4	250	10:1	2	30	GPP12541	663	DS	10	2416P-PSM	90	1.30	20	2
	500	5:1	2	15	GPP12540	663	DS	10	2416P-PSM	90	1.30	20	2
	94	25:1	2	160	GPP24019	726	DS	12	2428P-PSM	90	2.50	20	2
	170	15	2	90	GPP24011	726	DS	12	2428P-PSM	90	2.50	20	2
360	7:1	2	40	GPP24005	726	DS	12	2428P-PSM	90	2.50	20	2	
180 VDC													
1/8	42	60:1	3	174	GPP12567	670	DS	11	2416P-PSM	180	0.70	20	2
	83	30:1	3	87	GPP12564	670	DS	11	2416P-PSM	180	0.70	20	2
	250	10:1	2	30	GPP12561	663	DS	11	2416P-PSM	180	0.70	20	2
	500	5:1	2	15	GPP12560	663	DS	11	2416P-PSM	180	0.70	20	2

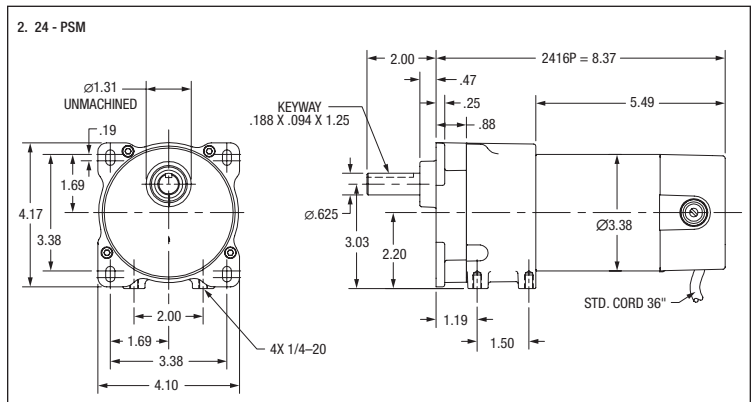
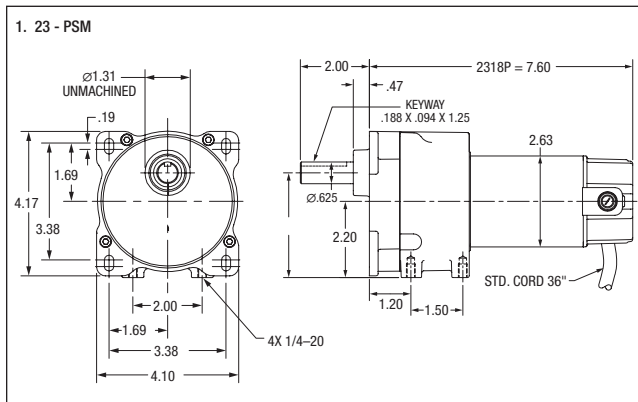
(a) Vertical motor below gearhead not recommended.

Avoiding those positions where the high speed oil seal is immersed in oil, will provide greater security against high speed input seal wear.

(b) See notes on inside back flap.

ATTENTION: Additional ratios, voltages, and ratings are available. Application specific modifications are common, such as custom shaft dimensions, addition of brakes or encoders, specific power cords, and washdown features. Contact your local Baldor representative for assistance.

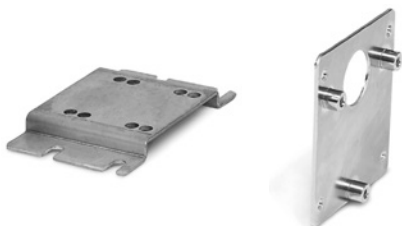
See page 258 for matching DC Drives.



PSM Mounting Adapters

B92 is a formed steel mounting base that bolts to the machined surface on bottom of the PSM gear box. Provides secure foot mounting of gearmotor and drop-in interchangeability with other major manufacturers.

B93 is a three point face mounting adapter. Provides interchangeability with other manufacturers.



Catalog Number	Description	List Price	Mult. Sym.	Ap'x. Shpg. Wgt.
B92	Foot Mount	49	A8	1
B93	3 Point Face Mount	62	A8	1

Definite Purpose Motors

Unit Handling Motors

Brake Motors

200 & 575 Volt Motors

IEC Frame Motors

50 Hertz Motors

Inverter/Vector Motors & Controls

DC Motors and Controls

Soft Start & Dynamic Brakes

Gearmotors and Gear Products

Variable Speed AC

Input Motor Hp	Output RPM 60 Hz	Gear Ratio	Stages	Speed Range	Max. Safe Torque In. Lbs.	Catalog Number (a)	List Price	Mult. Sym.	Ap'x. Shpg. Wgt.	Motor Type & Gear Style	Voltage @ 60 Hz	Notes (b)	Drawing Number See Pages 305-306
Three Phase – Inverter Duty													
1/12	9.6	180:1	4	1.6-14	445	IDGMP25182	1,059	E2	20	2516M-PSL	230	77	9
1/8	18.8	90:1	4	3.1-28	360	IDGMP25092	1,059	E2	20	2516M-PSL	230	77	9
1/6	28	60:1	3	4.7-42	325	IDGMP25063	1,044	E2	18	2516M-PSL	230	77	9
1/4	56	30:1	3	9.4-84	247	IDGMP25033	1,044	E2	18	2524M-PSL	230	77	9
	84	20:1	2	14-126	167	IDGMP25023	1,025	E2	17	2524M-PSL	230	77	10
	167	10:1	2	27.8-250	85	IDGMP25013	1,025	E2	17	2524M-PSL	230	77	10
	335	5:1	2	55.8-502	44	IDGMP25008	1,025	E2	17	2524M-PSL	230	77	10
3/8	41	60:1	3	6.8-61	500	IDGMP25062	1,037	E2	20	2528M-PSL	230	77	9
	55	30:1	3	9.2-82	350	IDGMP2505	1,037	E2	20	2528M-PSL	230	77	11
	83	20:1	2	13.8-124	233	IDGMP2503	1,012	E2	18	2528M-PSL	230	77	11
	165	10:1	2	27.5-247	116	IDGMP2501	1,012	E2	18	2528M-PSL	230	77	11
1/2	330	5:1	2	55-495	58	IDGMP2500	1,012	E2	18	2528M-PSL	230	77	11
	43	40:1	3	7.2-64	637	IDGMP33040	1,037	E2	28	3324M-PSLH	230	77	6
	57	30:1	3	9.5-85	482	IDGMP33030	1,037	E2	28	3324M-PSLH	230	77	6
	86	20:1	2	14.3-129	326	IDGMP33020	1,012	E2	25	3324M-PSLH	230	77	12
	115	15:1	2	19.2-172	245	IDGMP33015	1,012	E2	25	3324M-PSLH	230	77	12
	172	10:1	2	28.6-258	164	IDGMP33010	1,012	E2	25	3324M-PSLH	230	77	12
345	5:1	2	57.6-517	82	IDGMP33005	1,012	E2	25	3324M-PSLH	230	77	12	

(a) Vertical motor below gearhead not recommended.

Avoiding those positions where the high speed oil seal is immersed in oil, will provide greater security against high speed input seal wear.

(b) See notes on inside back flap.

Red Catalog Number indicates **NEW** Product

ATTENTION: Additional ratios, voltages, and ratings are available. Application specific modifications are common, such as custom shaft dimensions, addition of brakes or encoders, specific power cords, and washdown features. Contact your local Baldor representative for assistance.

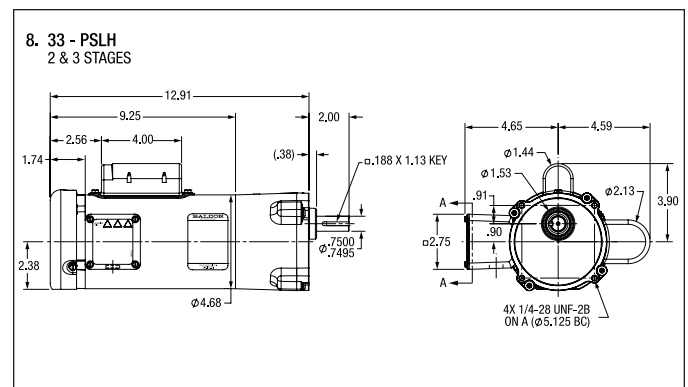
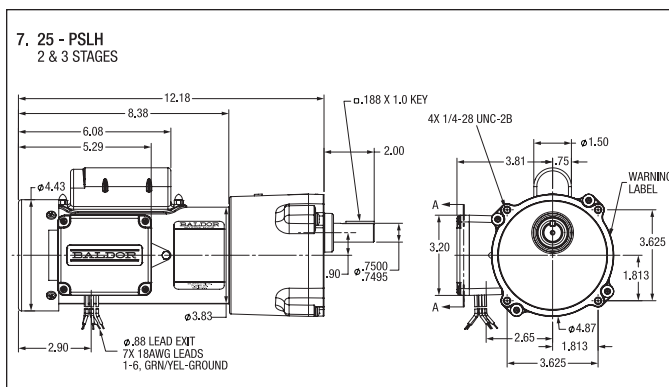
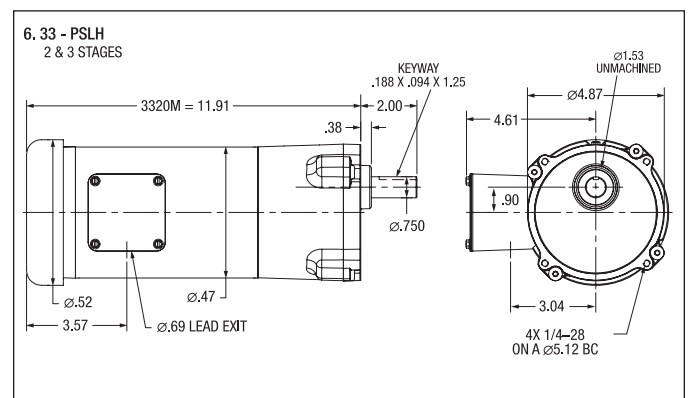
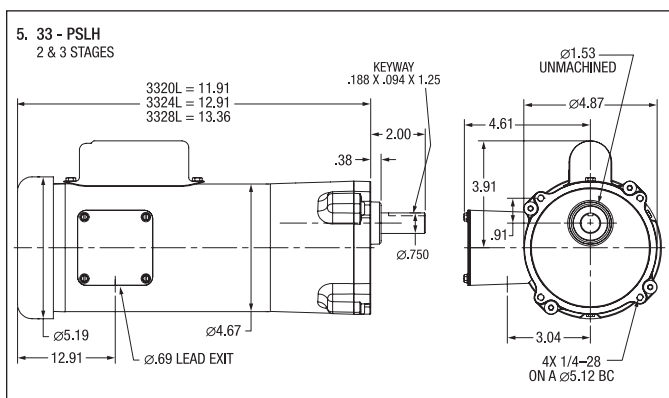
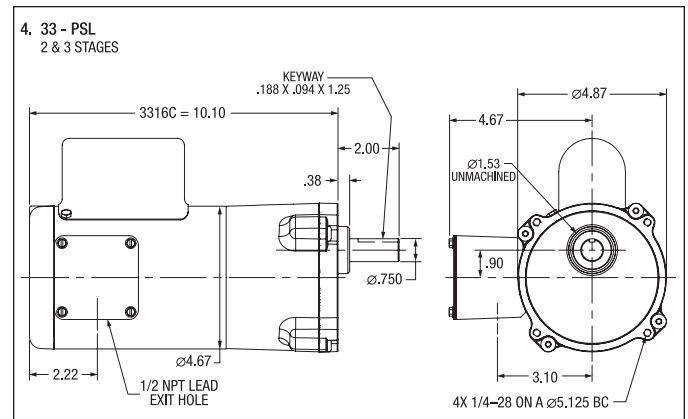
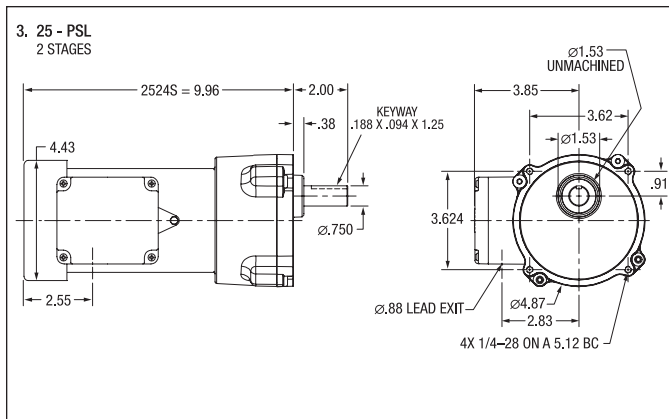
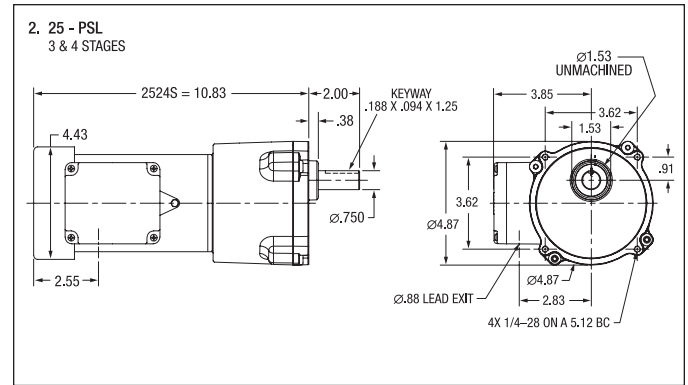
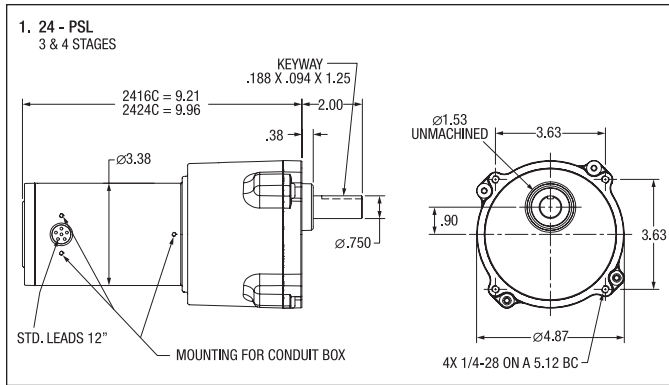
See page 210 for matching AC Drives.

“L” Type Mounting Brackets

Applications: Mounting bracket for PSSH and PSL gearmotors. Securely mounts to gear face in 90 degree locations for floor, wall or ceiling mount. Catalog Number LB74 is not recommended for PSL/PSLH units weighing over 20 lbs. For units weighing more than 20 lbs. use Catalog Number LB75.



Catalog Number	Gearhead Style	List Price	Mult. Sym.	Color	Ap'x. Shpg. Wgt
LB73	PSSH	49	A8	Black	2
LB74	PSL	69	A8	Black	2
LB75	PSL/PSLH	96	A8	Black	7
LB73GR	PSSH	49	A8	Baldor Grey	2
LB74GR	PSL	69	A8	Baldor Grey	2
LB75GR	PSL/PSLH	96	A8	Baldor Grey	7



Definite Purpose Motors

Unit Handling Motors

Brake Motors

200 & 575 Volt Motors

IEC Frame Motors

50 Hertz Motors

Inverter/Vector Motors & Controls

DC Motors and Controls

Soft Starters & Dynamic Brakes

Gearmotors and Gear Products

Definite Purpose Motors

Unit Handling Motors

Brake Motors

200 & 575 Volt Motors

IEC Frame Motors

50 Hertz Motors

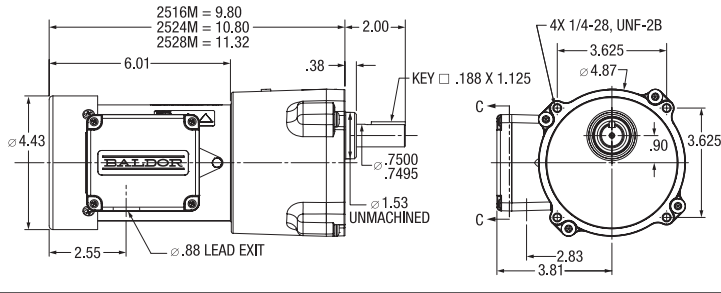
Inverter/Vector Motors & Controls

DC Motors and Controls

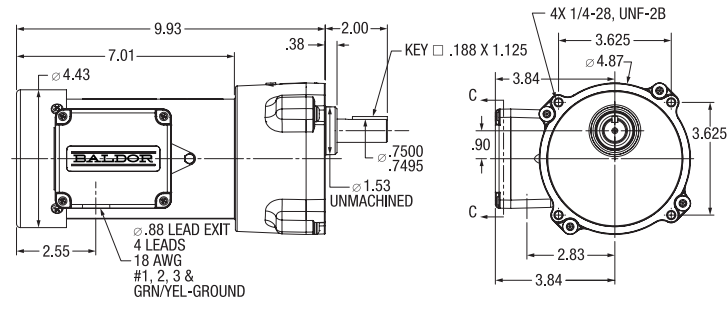
Soft Start & Dynamic Brakes

Gearmotors and Gear Products

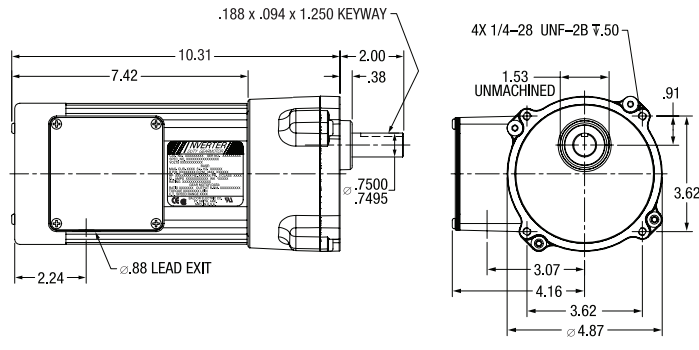
9. 25 - PSL
3 & 4 STAGES



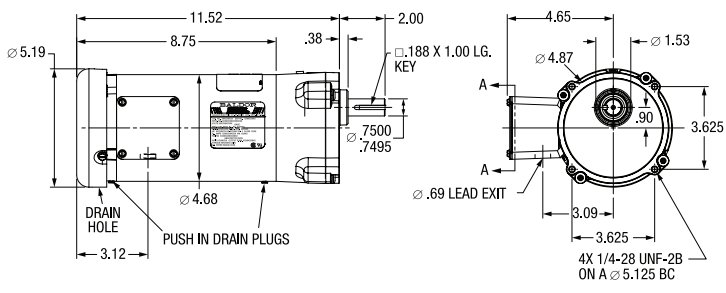
10. 25 - PSL
3 STAGES



11. 25 - PSL
ALUMINUM FRAME



12. 33 - PSL
2 STAGES



Permanent Magnet DC

Input Motor Hp	Output Base Speed	Gear Ratio	Stages	Max. Safe Torque In. Lbs.	Catalog Number (a)	List Price	Mult. Sym.	Ap'x. Shpg. Wgt.	Motor Type & Gear Style	Voltage D.C. Armature	Full Load Amperage Armature	Notes (b)	Drawing Number See Pg 308
90 VDC													
1/8	8.3	300:1	4	330	GPP7459	875	DS	13	2416P-PSL	90	1.30	20	1
	10.4	240:1	4	330	GPP7462	875	DS	13	2416P-PSL	90	1.30	20	1
1/4	14	180:1	4	365	GPP7458	875	DS	15	2424P-PSL	90	2.50	20	1
	21	120:1	4	365	GPP7457	875	DS	15	2424P-PSL	90	2.50	20	1
	28	90:1	4	390	GPP7461	875	DS	15	2424P-PSL	90	2.50	20	1
	42	60:1	3	280	GPP7456	840	DS	14	2424P-PSL	90	2.50	20	1
	50	50:1	3	250	GPP7460	840	DS	14	2424P-PSL	90	2.50	20	1
	62	40:1	3	200	GPP7455	840	DS	14	2424P-PSL	90	2.50	20	1
	83	30:1	3	150	GPP7454	840	DS	14	2424P-PSL	90	2.50	20	1
	125	20:1	2	100	GPP7453	772	DS	13	2424P-PSL	90	2.50	20	2
	165	15:1	2	75	GPP7452	772	DS	13	2424P-PSL	90	2.50	20	2
	250	10:1	2	50	GPP7451	772	DS	13	2424P-PSL	90	2.50	20	2
1/3	500	5:1	2	25	GPP7450	772	DS	13	2424P-PSL	90	2.50	20	2
	58	30:1	3	320	GPP2530	1,146	DS	24	2532P-PSLH	90	3.20	20	3
	113	15:1	2	164	GPP2534	1,091	DS	24	2532P-PSLH	90	3.20	20	3
1/2	345	5:1	2	55	GPP2538	1,091	DS	24	2532P-PSLH	90	3.20	20	3
	83	30:1	3	337	GPP3340	1,288	DS	31	3327P-PSLH	90	5.00	20	4
1/2	167	15:1	2	171	GPP3344	1,232	DS	31	3327P-PSLH	90	5.00	20	4
	500	5:1	2	57	GPP3348	1,232	DS	31	3327P-PSLH	90	5.00	20	4
180 VDC													
1/8	8.3	300:1	4	330	GPP7479	875	DS	14	2416P-PSL	180	0.70	20	1
	14	180:1	4	365	GPP7478	875	DS	17	2424P-PSL	180	1.30	20	1
1/4	21	120:1	4	365	GPP7477	875	DS	15	2424P-PSL	180	1.30	20	1
	42	60:1	3	280	GPP7476	840	DS	14	2424P-PSL	180	1.30	20	1
	62	40:1	3	200	GPP7475	840	DS	14	2424P-PSL	180	1.30	20	1
	83	30:1	3	155	GPP7474	840	DS	14	2424P-PSL	180	1.30	20	1
	125	20:1	2	100	GPP7473	772	DS	13	2424P-PSL	180	1.30	20	2
	165	15:1	2	75	GPP7472	772	DS	13	2424P-PSL	180	1.30	20	2
	250	10:1	2	50	GPP7471	772	DS	13	2424P-PSL	180	1.30	20	2
	500	5:1	2	25	GPP7470	772	DS	13	2424P-PSL	180	1.30	20	2
1/3	58	30:1	3	320	GPP3370	1,288	DS	31	3327P-PSLH	180	1.60	20	4
	115	15:1	2	164	GPP3374	1,232	DS	31	3327P-PSLH	180	1.60	20	4
	345	5:1	2	55	GPP3378	1,232	DS	31	3327P-PSLH	180	1.60	20	4
1/2	83	30:1	3	337	GPP3380	1,288	DS	31	3327P-PSLH	180	2.40	20	4
	167	15:1	2	171	GPP3384	1,232	DS	31	3327P-PSLH	180	2.40	20	4
	500	5:1	2	57	GPP3388	1,232	DS	31	3327P-PSLH	180	2.40	20	4

(a) Vertical motor below gearhead not recommended.

Avoiding those positions where the high speed oil seal is immersed in oil, will provide greater security against high speed input seal wear.

(b) See notes on inside back flap.

ATTENTION: Additional ratios, voltages, and ratings are available. Application specific modifications are common, such as custom shaft dimensions, addition of brakes or encoders, specific power cords, and washdown features. Contact your local Baldor representative for assistance.

See page 258 for matching DC Drives.

“L” Type Mounting Brackets



Applications: Mounting bracket for PSSH and PSL gearmotors. Securely mounts to gear face in 90 degree locations for floor, wall or ceiling mount. Catalog Number LB74 is not recommended for PSL/PSLH units weighing over 20 lbs. For units weighing more than 20 lbs. use Catalog Number LB75.

Catalog Number	Gearhead Style	List Price	Mult. Sym.	Color	Ap'x. Shpg. Wgt
LB73	PSSH	49	A8	Black	2
LB74	PSL	69	A8	Black	2
LB75	PSL/PSLH	96	A8	Black	7
LB73GR	PSSH	49	A8	Baldor Grey	2
LB74GR	PSL	69	A8	Baldor Grey	2
LB75GR	PSL/PSLH	96	A8	Baldor Grey	7

Definite Purpose Motors

Unit Handling Motors

Brake Motors

200 & 575 Volt Motors

IEC Frame Motors

50 Hertz Motors

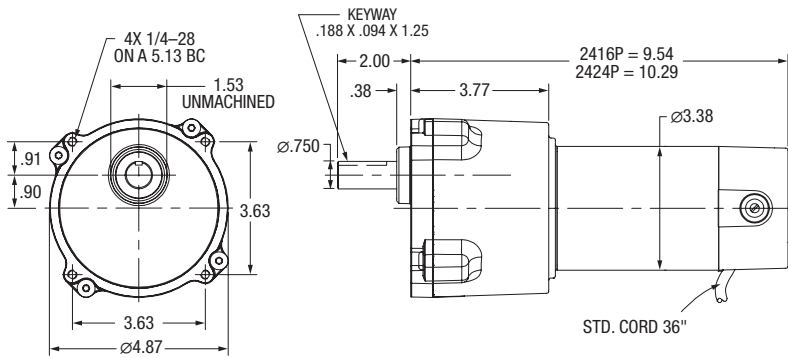
Inverter/Vector Motors & Controls

DC Motors and Controls

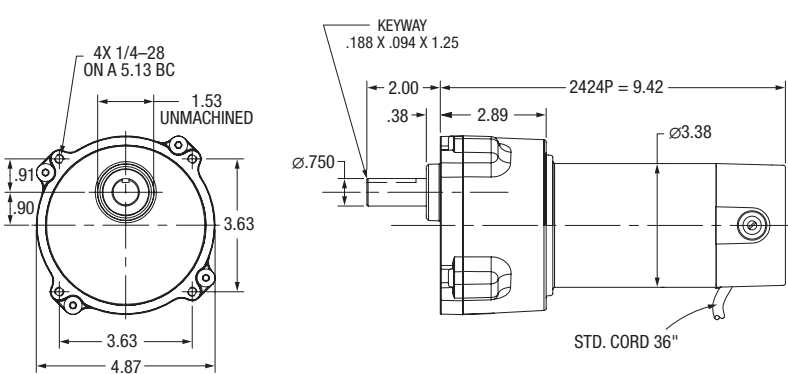
Soft Start & Dynamic Brakes

Gearmotors and Gear Products

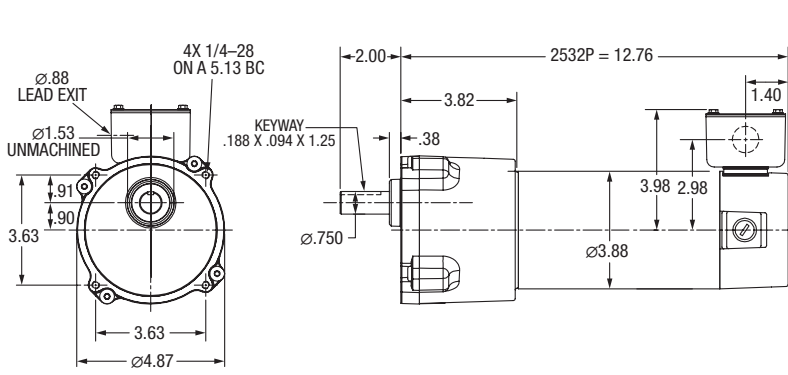
1. 24 - PSL 3 & 4 STAGES



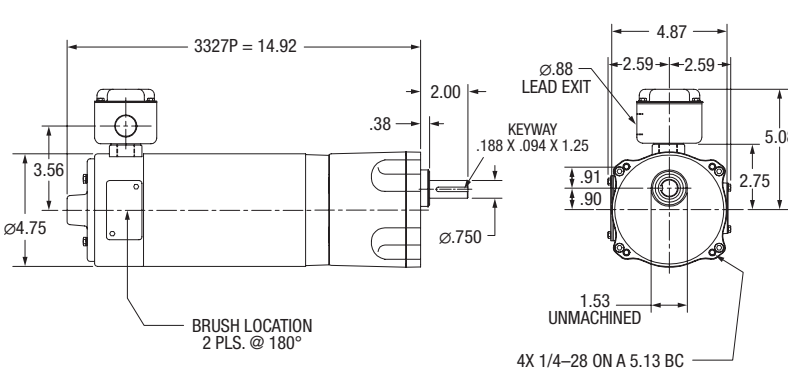
2. 24 - PSL 2 STAGES



3. 25 - PSLH 3 & 2 STAGES



4. 33 - PSLH 2 & 3 STAGES



**H50 – Right Angle
Hollow Shaft –
Worm Gear Reducer**



H50 Style

1.97 thru 50mm CD

NEMA 56C

Applications: Conveyors, material handling equipment, packaging machinery, medical and laboratory equipment, printing presses, commercial ovens, and machine tools.

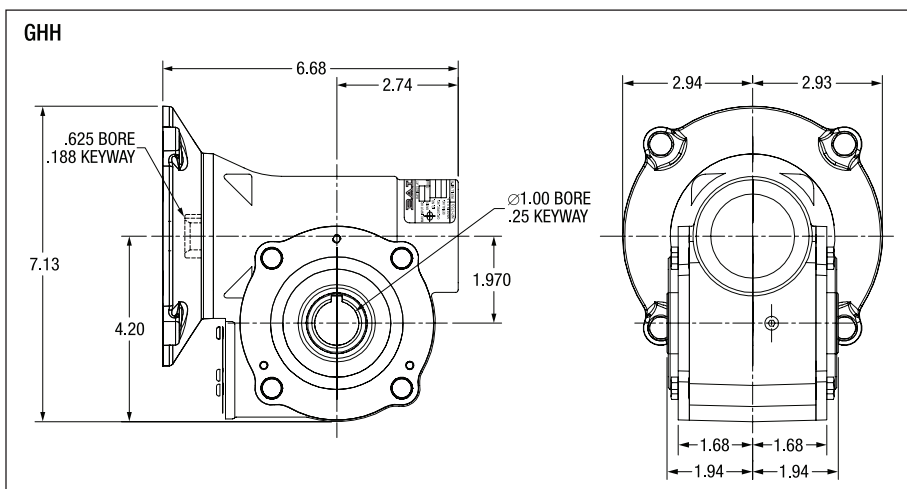
Features: Ball bearing on output for smooth torque transmission. High strength bronze gearing with hardened and ground worm for quiet operation and increased radial load capacity. High performance low friction, bidirectional motor seals. Permanently lubricated with synthetic oil. Internal oil expansion bladder allows for multi-position mounting without the need to relocate breather vents.

Nominal Output RPM @ 1750 RPM In	Gear Ratio	Continuous Duty Output Torque (In-Lbs) Based on 1750 RPM Motor						Max Input Hp	Max Output Torque Rating In-Lbs	Style Number	Catalog Number	List Price	Mult. Sym.	Ap'x Shpg. Wgt.	
		0.25	0.33	0.5	0.75	1	1.5								2
350	5:1					156	235	315	2.57	435	HF-H-05-H100	GHH0556	641	GB	11
175	10:1				230	300	450		1.88	600	HF-H-10-H100	GHH1056	641	GB	11
117	15:1			176	263	350			1.37	483	HF-H-15-H100	GHH1556	641	GB	11
88	20:1			275	394	550			1	550	HF-H-20-H100	GHH2056	641	GB	11
70	25:1		240	350	529				.83	583	HF-H-25-H100	GHH2556	641	GB	11
58	30:1		247	350	550				.76	562	HF-H-30-H100	GHH3056	641	GB	11
44	40:1	268	345	528					.64	672	HF-H-40-H100	GHH4056	641	GB	11
35	50:1	310	400	609					.56	685	HF-H-50-H100	GHH5056	641	GB	11
29	60:1	300	418	600					.5	600	HF-H-60-H100	GHH6056	641	GB	11

NOTE: Service Class I Torque Ratings (1.0 Service Factor)
 Service Class II Torque Ratings (≥ 1.4 Service Factor)
 Service Class III Torque Ratings (≥ 2.0 Service Factor)

ATTENTION: Additional ratios, ratings and mounting configurations are available. Need a fully assembled gearmotor? Have your reducer and motor coupled by utilizing M34D from the Baldor Mod Express section. Please contact your local Baldor representative for assistance.

Vertical motor below gearhead not recommended.
 Avoiding those positions where the high speed oil seal is immersed in oil, will provide greater security against high speed input seal wear.
 Replacement oil – 1 Qt P/N MJ0006A05SP (Klubersynth UH1-6-460)



H Gearbox Accessories



Baldor offers optional base and shaft kits for H style gearmotors. Adding a base and shaft kit allows them to be used in applications requiring a rightangle shaft extension. The shaft can be used for either right or left hand output applications.

Catalog Number	Description	List Price	Mult. Sym.	Ap'x. Shpg. Wgt.
B19H71	Horiz Base Kit	82	A8	1
SH10HS	Output Shaft Kit	26	A8	2
TA05HK	Torque Arm Kit	88	A8	2

900 Series – Right Angle – Quill Type – Solid Shaft

1.33 thru 3.75 CD

NEMA 56C thru 210TC

Applications: Ideal for conveyors, material handling, textile machines, packaging machinery. etc. (slow speed and high torque).

Features: Heavy duty cast iron housing, chill cast bronze gearing, precision ground hardened worm, ball bearing on input shaft, tapered roller bearings on output shaft. Industry-standard mounting dimensions. Pre-filled with food grade (H1) Klubersynth UH1-6-460 synthetic oil, sealed housing provides maintenance-free lubed for life operation.



Nominal Output RPM @ 1750 RPM In	Gear Ratio	Continuous Duty Output Torque (In-Lbs) Based on 1750 RPM Motor										Max Input Hp	Max Output Torque Rating In-Lbs	NEMA Motor Mount	Style Number	Catalog Number	List Price	Mult. Sym.	Ap'x Shpg. Wgt.	
		0.25	0.33	0.5	0.75	1	1.5	2	3	5	7.5									10
350	5:1		75	112	149								1.11	165	56C	F-913-05-B5-G	GF0513AG	504	GB	20
			75	112	149								1.11	165	56C	F-913-05-B5-J	GF0513AJ	504	GB	20
				115	154	231							1.50	231	56C	F-915-05-B5-G	GF0515AG	539	GB	25
				115	154	231							1.50	231	140TC	F-915-05-B7-G	GF0515BG	539	GB	25
				115	154	231							1.50	231	56C	F-915-05-B5-H	GF0515AH	571	GB	25
					160	240	320						2.00	320	56C	F-918-05-B5-G	GF0518AG	552	GB	30
					160	240	320						2.00	320	140TC	F-918-05-B7-G	GF0518BG	552	GB	30
						246	327	491					3.14	514	140TC	F-921-05-B7-G	GF0521BG	691	GB	35
						246	327	491					3.14	514	140TC	F-921-05-B7-J	GF0521BJ	691	GB	35
							339	507					4.17	705	180TC	F-924-05-B9-G	GF0524CG	815	GB	49
								339	508	847			5.43	919	180TC	F-926-05-B9-G	GF0526CG	945	GB	59
									502	837	1255		7.64	1279	180TC	F-930-05-B9-G	GF0530CG	1,285	GB	68
										837	1255	1674	13.7	2315	210TC	F-938-05-B11-H	GF0538DH	1,798	GB	123
175	10:1		82	125	187							0.90	225	56C	F-913-10-B5-G	GF1013AG	504	GB	20	
			82	125	187							0.90	225	56C	F-913-10-B5-J	GF1013AJ	504	GB	20	
			82	125	187							0.90	225	56C	F-913-10-B5-H	GF1013AH	533	GB	20	
				141	211	282						1.03	290	56C	F-915-10-B5-G	GF1015AG	539	GB	26	
				141	211	282						1.03	290	140TC	F-915-10-B7-G	GF1015BG	539	GB	20	
				141	211	282						1.03	290	56C	F-915-10-B5-H	GF1015AH	571	GB	25	
					214	285	428					1.50	428	56C	F-918-10-B5-G	GF1018AG	552	GB	30	
					214	285	428					1.50	428	56C	F-918-10-B5-J	GF1018AJ	552	GB	30	
					214	285	428					1.50	428	56C	F-918-10-B5-H	GF1018AH	585	GB	29	
					214	285	428					1.50	428	140TC	F-918-10-B7-G	GF1018BG	552	GB	30	
						312	468	624				2.02	630	56C	F-921-10-B5-G	GF1021AG	691	GB	35	
						312	468	624				2.02	630	56C	F-921-10-B5-J	GF1021AJ	691	GB	35	
						312	468	624				2.02	630	56C	F-921G-10-B5-G	GF10G21AG	691	GB	30	

NOTE: Service Class I Torque Ratings (1.0 Service Factor)
 Service Class II Torque Ratings (≥ 1.4 Service Factor)
 Service Class III Torque Ratings (≥ 2.0 Service Factor)

Vertical motor below gearhead not recommended.

Avoiding those positions where the high speed oil seal is immersed in oil, will provide greater security against high speed input seal wear.

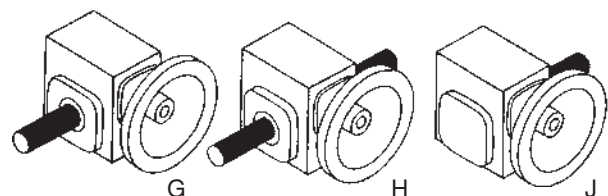
Replacement oil – 1 Qt P/N MJ0006A05SP (Klubersynth UH1-6-460)

ATTENTION: Additional ratios, ratings and mounting configurations are available.

Need a fully assembled gearmotor? Have your reducer and motor coupled by utilizing M34D from the Baldor Mod Express section.

Please contact your local Baldor representative for assistance.

Assembly Types



Definite Purpose Motors

Unit Handling Motors

Brake Motors

200 & 575 Volt Motors

IEC Frame Motors

50 Hertz Motors

Inverter/Vector Motors & Controls

DC Motors and Controls

Soft Start & Dynamic Brakes

Gearmotors and Gear Products

900 Series – Right Angle – Quill Type – Solid Shaft continued...

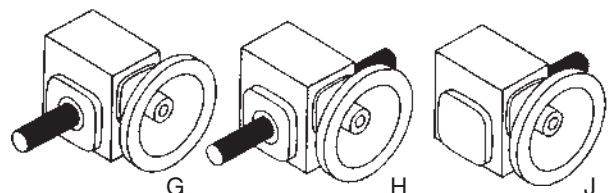
Nominal Output RPM @ 1750 RPM In	Gear Ratio	Continuous Duty Output Torque (In-Lbs) Based on 1750 RPM Motor									Max Input Hp	Max Output Torque Rating In-Lbs	NEMA Motor Mount	Style Number	Catalog Number	List Price	Mult. Sym.	Ap'x Shpg. Wgt.		
		0.25	0.33	0.5	0.75	1	1.5	2	3	5									7.5	
175	10:1					312	468	624				2.02	630	56C	F-921-10-B5-H	GF1021AH	728	GB	35	
						312	468	624				2.02	630	140TC	F-921-10-B7-G	GF1021BG	691	GB	35	
						317	475	634				2.73	893	140TC	F-924-10-B7-G	GF1024BG	815	GB	40	
								655	983				3.59	1177	140TC	F-926-10-B7-G	GF1026BG	945	GB	52
								655	983				3.59	1177	180TC	F-926-10-B9-G	GF1026CG	945	GB	60
								641	961	1602			5.48	1755	180TC	F-930-10-B9-G	GF1030CG	1,285	GB	72
										990	1649		6.36	2106	180TC	F-932-10-B9-G	GF1032CG	1,393	GB	97
								963	1604	2407	9.05	2905	210TC	F-938-10-B11-G	GF1038DG	1,701	GB	126		
117	15:1	89	118	179								0.66	225	56C	F-913-15-B5-G	GF1513AG	504	GB	20	
		89	118	179								0.66	225	56C	F-913-15-B5-J	GF1513AJ	504	GB	20	
		89	118	179								0.66	225	56C	F-913-15-B5-H	GF1513AH	533	GB	20	
			127	193	289								0.81	312	56C	F-915-15-B5-G	GF1515AG	539	GB	25
			127	193	289								0.81	312	56C	F-915-15-B5-H	GF1515AH	571	GB	25
				209	314	419							1.07	448	56C	F-918-15-B5-G	GF1518AG	552	GB	30
				209	314	419							1.07	448	56C	F-918-15-B5-J	GF1518AJ	552	GB	30
				209	314	419							1.07	448	56C	F-918-15-B5-H	GF1518AH	585	GB	30
				246	369	492							1.35	664	56C	F-921-15-B5-G	GF1521AG	691	GB	35
				246	369	492							1.35	664	56C	F-921-15-B5-J	GF1521AJ	691	GB	35
				246	369	492							1.35	664	56C	F-921-15-B5-H	GF1521AH	728	GB	35
				246	369	492							1.35	664	140TC	F-921-15-B7-G	GF1521BG	691	GB	35
						470	705	939					2.11	992	56C	F-924-15-B5-G	GF1524AG	815	GB	40
						470	705	939					2.11	992	56C	F-924-15-B5-J	GF1524AJ	815	GB	40
						470	705	939					2.11	992	140TC	F-924-15-B7-G	GF1524BG	815	GB	40
						473	710	947					2.58	1225	140TC	F-926-15-B7-G	GF1526BG	945	GB	55
							686	915	1373				4.14	1903	180TC	F-930-15-B9-G	GF1530CG	1,285	GB	68
								959	1438				4.66	2241	140TC	F-932-15-B7-G	GF1532BG	1,393	GB	87
								959	1438				4.66	2241	180TC	F-932-15-B9-G	GF1532CG	1,393	GB	97
									1409	2349			6.64	3118	180TC	F-938-15-B9-G	GF1538CG	1,701	GB	119
		88	20:1	113	149	226								0.53	239	56C	F-913-20-B5-G	GF2013AG	504	GB
113	149			226								0.53	239	56C	F-913-20-B5-H	GF2013AH	533	GB	20	
128	169			256								0.62	317	56C	F-915-20-B5-G	GF2015AG	539	GB	25	
128	169			256								0.62	317	56C	F-915-20-B5-H	GF2015AH	571	GB	25	
	165			251	376								0.92	461	56C	F-918-20-B5-G	GF2018AG	552	GB	30
	165			251	376								0.92	461	56C	F-918-20-B5-J	GF2018AJ	552	GB	30
	165			251	376								0.92	461	56C	F-918-20-B5-H	GF2018AH	585	GB	30
				323	484	645							1.06	684	56C	F-921-20-B5-G	GF2021AG	691	GB	35
				323	484	645							1.06	684	56C	F-921-20-B5-J	GF2021AJ	691	GB	35
				323	484	645							1.06	684	56C	F-921G-20-B5-G	GF20G21AG	691	GB	35

NOTE: Service Class I Torque Ratings (1.0 Service Factor)
 Service Class II Torque Ratings (≥ 1.4 Service Factor)
 Service Class III Torque Ratings (≥ 2.0 Service Factor)

Vertical motor below gearhead not recommended.
 Avoiding those positions where the high speed oil seal is immersed in oil, will provide greater security against high speed input seal wear.
 Replacement oil – 1 Qt P/N MJ0006A05SP (Klubersynth UH1-6-460)

ATTENTION: Additional ratios, ratings and mounting configurations are available.
 Need a fully assembled gearmotor? Have your reducer and motor coupled by utilizing M34D from the Baldor Mod Express section.
 Please contact your local Baldor representative for assistance.

Assembly Types



Definite Purpose Motors

Unit Handling Motors

Brake Motors

200 & 575 Volt Motors

IEC Frame Motors

50 Hertz Motors

Inverter/Vector Motors & Controls

DC Motors and Controls

Soft Starters & Dynamic Brakes

Gearmotors and Gear Products

900 Series – Right Angle – Quill Type – Solid Shaft continued...

Nominal Output RPM @ 1750 RPM In	Gear Ratio	Continuous Duty Output Torque (In-Lbs) Based on 1750 RPM Motor										Max Input Hp	Max Output Torque Rating In-Lbs	NEMA Motor Mount	Style Number	Catalog Number	List Price	Mult. Sym.	Ap'x Shpg. Wgt.
		0.25	0.33	0.5	0.75	1	1.5	2	3	5	7.5								
44	40:1	174	230									0.33	230	56C	F-913-40-BG-G	GF4013AG	504	GB	20
		174	230									0.33	230	56C	F-913-40-B5-H	GF4013AH	533	GB	20
		208	275									0.38	317	56C	F-915-40-B5-G	GF4015AG	539	GB	25
		208	275									0.38	317	56C	F-915-40-B5-J	GF4015AJ	539	GB	25
		180	238	360								0.64	461	56C	F-918-40-B5-G	GF4018AG	552	GB	30
		180	238	360								0.64	461	56C	F-918-40-B5-J	GF4018AJ	552	GB	30
				340	515							0.66	680	56C	F-921-40-B5-G	GF4021AG	691	GB	35
				340	515							0.66	680	56C	F-921-40-B5-J	GF4021AJ	691	GB	35
					521	781						0.99	1030	56C	F-924-40-B5-G	GF4024AG	815	GB	40
					521	781						0.99	1030	56C	F-924-40-B5-J	GF4024AJ	815	GB	40
					521	781						0.99	1030	56C	F-924-40-B5-H	GF4024AH	861	GB	40
					524	786	1049					1.23	1296	56C	F-926-40-B5-G	GF4026AG	945	GB	55
					524	786	1049					1.23	1296	56C	F-926-40-B5-J	GF4026AJ	945	GB	52
					524	786	1049					1.23	1296	140TC	F-926-40-B7-G	GF4026BG	945	GB	55
						794	1059	1589				1.84	1960	56C	F-930-40-B5-G	GF4030AG	1,285	GB	68
						794	1059	1589				1.84	1960	140TC	F-930-40-B7-G	GF4030BG	1,285	GB	68
							1180	1620	2160			2.20	2374	140TC	F-932-40-B7-G	GF4032BG	1,393	GB	88
								1596	2129	3192		3.00	3192	180TC	F-938-40-B9-G	GF4038CG	1,701	GB	126
						1596	2129	3192		3.00	3192	180TC	F-938-40-B9-H	GF4038CH	1,798	GB	126		
35	50:1	177	234								0.33	234	56C	F-913-50-B5-G	GF5013AG	504	GB	20	
		177	234								0.33	234	56C	F-913-50-B5-H	GF5013AH	533	GB	20	
		230	303								0.33	303	56C	F-915-50-B5-G	GF5015AG	539	GB	25	
		222	294								0.49	436	56C	F-918-50-B5-G	GF5018AG	552	GB	30	
		222	294								0.49	436	56C	F-918-50-B5-J	GF5018AJ	552	GB	30	
		280	370	561								0.58	651	56C	F-921-50-B5-G	GF5021AG	691	GB	35
		280	370	561								0.58	651	56C	F-921-50-B5-J	GF5021AJ	691	GB	35
		280	370	561								0.58	651	56C	F-921-50-B5-H	GF5021AH	728	GB	35
				401	608	912						0.83	1014	56C	F-924-50-B5-G	GF5024AG	815	GB	40
					621	932	1242					1.00	1242	56C	F-926-50-B5-G	GF5026AG	945	GB	55
					621	932	1242					1.00	1242	140TC	F-926-50-B7-G	GF5026BG	945	GB	52
						850	1134	1701				1.67	1890	56C	F-930-50-B5-G	GF5030AG	1,285	GB	68
						850	1134	1701				1.67	1890	140TC	F-930-50-B7-G	GF5030BG	1,285	GB	68
						958	1278	1917				1.83	2366	56C	F-932-50-B5-G	GF5032AG	1,393	GB	87
						958	1278	1917				1.83	2366	140TC	F-932-50-B7-G	GF5032BG	1,393	GB	87
							1152	1729	2305			2.67	3076	140TC	F-938-50-B7-G	GF5038BG	1,701	GB	117
							1152	1729	2305			2.67	3076	140TC	F-938-50-B7-H	GF5038BH	1,798	GB	126
		29	60:1	218	288								0.33	288	56C	F-915-60-B5-G	GF6015AG	539	GB
218	288										0.33	288	56C	F-915-60-B5-H	GF6015AH	571	GB	25	
220	290										0.47	413	56C	F-918-60-B5-G	GF6018AG	552	GB	30	
220	290										0.47	413	56C	F-918-60-B5-J	GF6018AJ	552	GB	30	
220	290										0.47	413	56C	F-918-60-B5-H	GF6018AH	585	GB	30	

NOTE: Service Class I Torque Ratings (1.0 Service Factor)
 Service Class II Torque Ratings (≥ 1.4 Service Factor)
 Service Class III Torque Ratings (≥ 2.0 Service Factor)

Vertical motor below gearhead not recommended.
 Avoiding those positions where the high speed oil seal is immersed in oil, will provide greater security against high speed input seal wear.
 Replacement oil – 1 Qt P/N MJ0006A05SP (Klubersynth UH1-6-460)

ATTENTION: Additional ratios, ratings and mounting configurations are available.
 Need a fully assembled gearmotor? Have your reducer and motor coupled by utilizing M34D from the Baldor Mod Express section.
 Please contact your local Baldor representative for assistance.

Definite Purpose Motors
 Unit Handling Motors
 Brake Motors
 200 & 575 Volt Motors
 IEC Frame Motors
 50 Hertz Motors
 Inverter/Vector Motors & Controls
 DC Motors and Controls
 Soft Starters & Dynamic Brakes
 Gearmotors and Gear Products

900 Series – Right Angle – Quill Type – Solid Shaft continued...

Nominal Output RPM @ 1750 RPM In	Gear Ratio	Continuous Duty Output Torque (In-Lbs) Based on 1750 RPM Motor									Max Input Hp	Max Output Torque Rating In-Lbs	NEMA Motor Mount	Style Number	Catalog Number	List Price	Mult. Sym.	Ap'x Shpg. Wgt.	
		0.25	0.33	0.5	0.75	1	1.5	2	3	5									7.5
29	60:1	317	418	634							0.50	634	56C	F-921-60-B5-G	GF6021AG	691	GB	35	
		317	418	634							0.50	634	56C	F-921-60-B5-H	GF6021AH	728	GB	35	
		317	418	634							0.50	634	56C	F-921-60-B5-J	GF6021AJ	691	GB	35	
			458	693								0.69	958	56C	F-924-60-B5-G	GF6024AG	815	GB	40
			458	693								0.69	958	56C	F-924-60-B5-J	GF6024AJ	815	GB	40
			473	716	1074							0.82	1166	56C	F-926-60-B5-G	GF6026AG	945	GB	55
			473	716	1074							0.82	1166	56C	F-926-60-B5-J	GF6026AJ	945	GB	55
			473	716	1074							0.82	1166	56C	F-926-60-B5-H	GF6026AH	996	GB	55
					896	1195	1795					1.50	1795	56C	F-930-60-B5-G	GF6030AG	1,285	GB	68
					896	1195	1795					1.50	1795	140TC	F-930-60-B7-G	GF6030BG	1,285	GB	68
					1100	1467	2200					1.54	2255	56C	F-932-60-B5-G	GF6032AG	1,393	GB	90
					1100	1467	2200					1.54	2255	140TC	F-932-60-B7-G	GF6032BG	1,393	GB	91
						1254	1881	2508				2.33	2921	140TC	F-938-60-B7-G	GF6038BG	1,701	GB	117
						1254	1881	2508				2.33	2921	140TC	F-938-60-B7-H	GF6038BH	1,798	GB	126

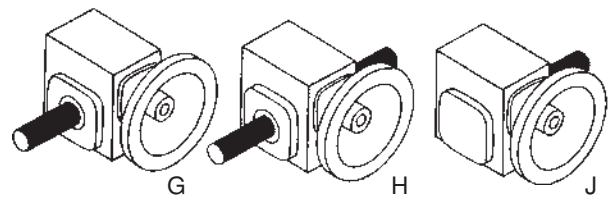
NOTE:

- Service Class I Torque Ratings (1.0 Service Factor)
- Service Class II Torque Ratings (≥ 1.4 Service Factor)
- Service Class III Torque Ratings (≥ 2.0 Service Factor)

Vertical motor below gearhead not recommended.
 Avoiding those positions where the high speed oil seal is immersed in oil, will provide greater security against high speed input seal wear.
 Replacement oil – 1 Qt P/N MJ0006A05SP (Klubersynth UH1-6-460)

ATTENTION: Additional ratios, ratings and mounting configurations are available.
 Need a fully assembled gearmotor? Have your reducer and motor coupled by utilizing M34D from the Baldor Mod Express section.
 Please contact your local Baldor representative for assistance.

Assembly Types



Definite Purpose Motors

Unit Handling Motors

Brake Motors

200 & 575 Volt Motors

IEC Frame Motors

50 Hertz Motors

Inverter/Vector Motors & Controls

DC Motors and Controls

Soft Start & Dynamic Brakes

Gearmotors and Gear Products

900 Series - Stainless Steel - Right Angle - Quill Type - Solid Shaft

1.75 thru 2.62 CD

56C thru 140TC

Applications: Baldor's all stainless speed reducers are easy to clean and sanitize, minimizing bacterial contamination for food processing equipment. Stainless steel provides the high protection for pharmaceutical and chemical processing applications where harsh chemicals and cleaning solutions can be extremely corrosive to aluminum, cast iron and other materials.

Features: Housing and covers are cast stainless steel to endure hostile environments. 300 Series stainless output shafts and all stainless steel hardware for long rust resistant life. O-ring sealed housing and motor interface helps keeps contaminants out. Pre-filled with food grade (H1) Klubersynth UH1-6-460 synthetic oil. Sealed housing provides maintenance-free lubed for life operation. BISSC certified (Baking Industry Sanitation Standards Committee).



Definite Purpose Motors

Unit Handling Motors

Brake Motors

200 & 575 Volt Motors

IEC Frame Motors

50 Hertz Motors

Inverter/Vector Motors & Controls

DC Motors and Controls

Soft Start & Dynamic Brakes

Gearmotors and Gear Products

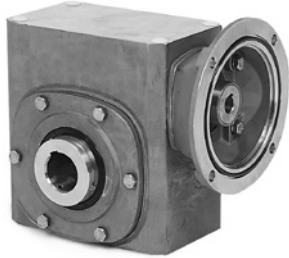
Nominal Output RPM @ 1750 RPM In	Gear Ratio	Continuous Duty Output Torque (In-Lbs) Based on 1750 RPM Motor										Max Input Hp	Max Output Torque Rating In-Lbs	NEMA Motor Mount	Style Number	Catalog Number	List Price	Mult. Sym.	Ap'x Shpg. Wgt.		
		0.25	0.33	0.5	0.75	1	1.5	2	3	5	7.5										
350	5:1					160	240	320					2.00	320	56C	SSF-918-05-B5-G	SSGF0518AG	1,710	GB	30	
						160	240	320					2.00	320	140TC	SSF-918-05-B7-G	SSGF0518BG	1,710	GB	30	
								246	327	491				3.14	514	140TC	SSF-921-05-B7-G	SSGF0521BG	2,001	GB	35
										339	508	847		5.43	919	140TC	SSF-926-05-B7-G	SSGF0526BG	2,813	GB	65
175	10:1			214	285	428							1.50	428	56C	SSF-918-10-B5-G	SSGF1018AG	1,710	GB	30	
				214	285	428							1.50	428	140TC	SSF-918-10-B7-G	SSGF1018BG	1,710	GB	30	
						312	468	624					2.02	630	140TC	SSF-921-10-B7-G	SSGF1021BG	2,001	GB	35	
										655	983		3.59	1177	140TC	SSF-926-10-B7-G	SSGF1026BG	2,813	GB	65	
117	15:1			209	314	419						1.07	448	56C	SSF-918-15-B5-G	SSGF1518AG	1,710	GB	30		
				246	369	492						1.35	664	56C	SSF-921-15-B5-G	SSGF1521AG	2,001	GB	35		
						473	710	947				2.58	1225	140TC	SSF-926-15-B7-G	SSGF1526BG	2,813	GB	65		
88	20:1		165	251	376							0.92	461	56C	SSF-918-20-B5-G	SSGF2018AG	1,710	GB	30		
				323	484	645						1.06	684	56C	SSF-921-20-B5-G	SSGF2021AG	2,001	GB	35		
						609	913	1218				2.15	1308	140TC	SSF-926-20-B7-G	SSGF2026BG	2,813	GB	65		
70	25:1		183	277	416							0.80	444	56C	SSF-918-25-B5-G	SSGF2518AG	1,710	GB	30		
			250	379	569							0.89	675	56C	SSF-921-25-B5-G	SSGF2521AG	2,001	GB	35		
					567	756	1134					1.73	1307	140TC	SSF-926-25-B7-G	SSGF2526BG	2,813	GB	65		
58	30:1		216	327								0.72	470	56C	SSF-918-30-B5-G	SSGF3018AG	1,710	GB	30		
			275	416	624							0.83	691	56C	SSF-921-30-B5-G	SSGF3021AG	2,001	GB	35		
					641	854	1281					1.54	1313	140TC	SSF-926-30-B7-G	SSGF3026BG	2,813	GB	56		
44	40:1	180	238	360							0.64	461	56C	SSF-918-40-B5-G	SSGF4018AG	1,710	GB	30			
			340	515								0.66	680	56C	SSF-921-40-B5-G	SSGF4021AG	2,001	GB	35		
				524	786	1049						1.23	1296	140TC	SSF-926-40-B7-G	SSGF4026BG	2,813	GB	56		
35	50:1	222	294								0.49	436	56C	SSF-918-50-B5-G	SSGF5018AG	1,710	GB	30			
		280	370	561							0.58	651	56C	SSF-921-50-B5-G	SSGF5021AG	2,001	GB	35			
				621	932	1242						1.00	1242	56C	SSF-926-50-B5-G	SSGF5026AG	2,813	GB	60		
29	60:1	220	290								0.47	413	56C	SSF-918-60-B5-G	SSGF6018AG	1,710	GB	30			
		317	418	634							0.50	634	56C	SSF-921-60-B5-G	SSGF6021AG	2,001	GB	35			
			473	716	1074							0.82	1166	56C	SSF-926-60-B5-G	SSGF6026AG	2,813	GB	56		

NOTE: Service Class I Torque Ratings (1.0 Service Factor) Refer to Brochure CA1600 for Dimensions and Engineering Information.
 Service Class II Torque Ratings (≥ 1.4 Service Factor)
 Service Class III Torque Ratings (≥ 2.0 Service Factor)

Vertical motor below gearhead not recommended.
 Avoiding those positions where the high speed oil seal is immersed in oil, will provide greater security against high speed input seal wear.
 Replacement oil - 1 Qt P/N MJ0006A05SP (Klubersynth UH1-6-460)

ATTENTION: Additional ratios, ratings and mounting configurations are available.
 Need a fully assembled gearmotor? Have your reducer and motor coupled by utilizing M34D from the Baldor Mod Express section.
 Please contact your local Baldor representative for assistance.

**900 Series –
Stainless Steel –
Right Angle – Quill
Type – Hollow Shaft**



SSGHF2026AH Shown

1.75 thru 2.62 CD

56C thru 140TC

Applications: Baldor's all stainless speed reducers are easy to clean and sanitize, minimizing bacterial contamination for food processing equipment. Stainless steel provides the high protection for pharmaceutical and chemical processing applications where harsh chemicals and cleaning solutions can be extremely corrosive to aluminum, cast iron and other materials.

Features: Housing and covers are cast stainless steel to endure hostile environments. 300 Series stainless output shafts and all stainless steel hardware for long rust resistant life. O-ring sealed housing and motor interface helps keeps contaminants out. Pre-filled with food grade (H1) Klubersynth UH1-6-460 synthetic oil. Sealed housing provides maintenance-free lubed for life operation. BISSC certified (Baking Industry Sanitation Standards Committee).

Nominal Output RPM @ 1750 RPM In	Gear Ratio	Continuous Duty Output Torque (In-Lbs) Based on 1750 RPM Motor										Max Input Hp	Max Output Torque Rating In-Lbs	NEMA Motor Mount	Style Number	Catalog Number	List Price	Mult. Sym.	Ap'x Shpg. Wgt.
		0.25	0.33	0.5	0.75	1	1.5	2	3	5	7.5								
350	5:1					160	240	320				2.00	320	56C	SSHF-918-05-B5-H	SSGHF0518AH	1,805	GB	30
175	10:1				214	285	428					1.50	428	56C	SSHF-918-10-B5-H	SSGHF1018AH	1,805	GB	30
						312	468	624				2.02	630	56C	SSHF-921-10-B5-H	SSGHF1021AH	2,091	GB	38
117	15:1			209	314	419						1.07	448	56C	SSHF-918-15-B5-H	SSGHF1518AH	1,805	GB	30
				246	369	492						1.35	664	56C	SSHF-921-15-B5-H	SSGHF1521AH	2,091	GB	38
88	20:1		165	251	376							0.92	461	56C	SSHF-918-20-B5-H	SSGHF2018AH	1,805	GB	30
				323	484	645						1.06	684	56C	SSHF-921-20-B5-H	SSGHF2021AH	2,091	GB	38
58	30:1					609	913	1218				2.15	1309	56C	SSHF-926-20-B5-H	SSGHF2026AH	3,009	GB	60
							924	1232	1848			3.85	2383	180TC	SSHF-932-20-B9-H	SSGHF2032CH	4,633	GB	100
44	40:1		216	327								0.72	470	56C	SSHF-918-30-B5-H	SSGHF3018AH	1,805	GB	30
			275	416	624							0.83	691	56C	SSHF-921-30-B5-H	SSGHF3021AH	2,091	GB	38
35	50:1				641	854	1281					1.54	1313	56C	SSHF-926-30-B5-H	SSGHF3026AH	3,009	GB	60
						881	1322	1763				2.81	2482	140TC	SSHF-932-30-B7-H	SSGHF3032BH	4,633	GB	100
29	60:1	180	238	360								0.64	461	56C	SSHF-918-40-B5-H	SSGHF4018AH	1,805	GB	30
			340	515								0.66	680	56C	SSHF-921-40-B5-H	SSGHF4021AH	2,091	GB	38
35	50:1		524	786	1049							1.23	1296	56C	SSHF-926-40-B5-H	SSGHF4026AH	3,009	GB	60
			524	786	1049							1.23	1296	140TC	SSHF-926-40-B7-H	SSGHF4026BH	3,009	GB	60
29	60:1					1180	1620	2160				2.20	2374	140TC	SSHF-932-40-B7-H	SSGHF4032BH	4,633	GB	100
		222	294									0.49	436	56C	SSHF-918-50-B5-H	SSGHF5018AH	1,805	GB	30
35	50:1	280	370	561								0.58	651	56C	SSHF-921-50-B5-H	SSGHF5021AH	2,091	GB	38
				621	932	1242						1.00	1242	56C	SSHF-926-50-B5-H	SSGHF5026AH	3,009	GB	53
29	60:1				958	1278	1917					1.83	2366	140TC	SSHF-932-50-B7-H	SSGHF5032BH	4,633	GB	100
		220	290									0.47	413	56C	SSHF-918-60-B5-H	SSGHF6018AH	1,805	GB	30
35	50:1	317	418	634								0.50	634	56C	SSHF-921-60-B5-H	SSGHF6021AH	2,091	GB	38
			473	716	1074							0.82	1166	56C	SSHF-926-60-B5-H	SSGHF6026AH	3,009	GB	60
29	60:1				1100	1467	2200				1.54	2255	140TC	SSHF-932-60-B7-H	SSGHF6032BH	4,633	GB	100	

NOTE: Service Class I Torque Ratings (1.0 Service Factor)
 Service Class II Torque Ratings (≥ 1.4 Service Factor)
 Service Class III Torque Ratings (≥ 2.0 Service Factor)

Refer to Brochure CA1600 for Dimensions and Engineering Information.

Vertical motor below gearhead not recommended.

Avoiding those positions where the high speed oil seal is immersed in oil, will provide greater security against high speed input seal wear.
 Replacement oil – 1 Qt P/N MJ0006A05SP (Klubersynth UH1-6-460)

ATTENTION: Additional ratios, ratings and mounting configurations are available.

Need a fully assembled gearmotor? Have your reducer and motor coupled by utilizing M34D from the Baldor Mod Express section. Please contact your local Baldor representative for assistance.

Definite Purpose Motors

Unit Handling Motors

Brake Motors

200 & 575 Volt Motors

IEC Frame Motors

50 Hertz Motors

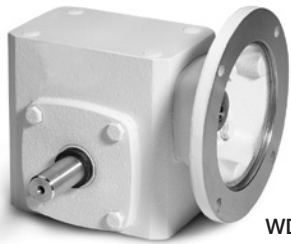
Inverter/Vector Motors & Controls

DC Motors and Controls

Soft Starters & Dynamic Brakes

Gearmotors and Gear Products

900 Series - Washdown - Right Angle - Quill Type - Solid Shaft



WDFG1018AG Shown

1.33 thru 3.25 CD

56C thru 140TC

Applications: Food processing and other applications which receive washdown on a regular basis.

Features: Epoxy coated, heavy-duty cast iron housing. Stainless steel output shaft and hardware. Sealed housing, provides maintenance-free, lubed for life operation. Pre-filled with food grade (H1) Klubersynth synthetic oil. Industry standard mounting dimensionally interchangeable with many other worm gear reducers. BISSC certified (Baking Industry Sanitation Standards Committee).

Nominal Output RPM @ 1750 RPM In	Gear Ratio	Continuous Duty Output Torque (In-Lbs) Based on 1750 RPM Motor									Max Input Hp	Max Output Torque Rating In-Lbs	NEMA Motor Mount	Style Number	Catalog Number	List Price	Mult. Sym.	Ap'x Shpg. Wgt.
		0.25	0.33	0.5	0.75	1	1.5	2	3	5								
350	5:1					160	240	320			2.00	320	56C	WDF-918-05-B5-G	WDFG0518AG	675	GB	30
175	10:1		82	125	187						0.90	225	56C	WDF-913-10-B5-G	WDFG1013AG	628	GB	20
				141	211	282					1.03	290	56C	WDF-915-10-B5-G	WDFG1015AG	664	GB	25
				141	211	282					1.03	290	140TC	WDF-915-10-B7-G	WDFG1015BG	664	GB	25
					214	285	428				1.50	428	56C	WDF-918-10-B5-G	WDFG1018AG	675	GB	30
						312	468	624			2.20	630	56C	WDF-921-10-B5-G	WDFG1021AG	832	GB	35
						317	475	634			2.73	893	140TC	WDF-924-10-B7-G	WDFG1024BG	974	GB	40
117	15:1	89	118	179							0.66	225	56C	WDF-913-15-B5-G	WDFG1513AG	628	GB	20
			127	193	289						0.81	312	56C	WDF-915-15-B5-G	WDFG1515AG	664	GB	25
				209	314	419					1.07	448	56C	WDF-918-15-B5-G	WDFG1518AG	675	GB	30
				246	369	492					1.35	664	56C	WDF-921-15-B5-G	WDFG1521AG	832	GB	35
						470	705	939			2.11	992	56C	WDF-924-15-B5-G	WDFG1524AG	974	GB	40
											2.73	1309	140TC	WDF-924-15-B7-G	WDFG1524BG	1,113	GB	52
88	20:1	113	149	226							0.53	239	56C	WDF-913-20-B5-G	WDFG2013AG	628	GB	20
			128	169	256						0.62	317	56C	WDF-915-20-B5-G	WDFG2015AG	664	GB	25
				165	251	376					0.92	461	56C	WDF-918-20-B5-G	WDFG2018AG	675	GB	30
						609	913	1218			2.15	1309	140TC	WDF-926-20-B7-G	WDFG2026BG	1,113	GB	52
58	30:1		216	327							0.72	470	56C	WDF-918-30-B5-G	WDFG3018AG	675	GB	30
				275	416	624					0.83	691	56C	WDF-921-30-B5-G	WDFG3021AG	832	GB	35
					420	630	840				1.32	111	56C	WDF-924-30-B5-G	WDFG3024AG	974	GB	40
						641	854	1281			1.54	1313	56C	WDF-926-30-B5-G	WDFG3026AG	1,113	GB	55
							881	1322	1763		2.81	2462	140TC	WDF-932-30-B7-G	WDFG3032BG	1,633	GB	87
44	40:1	208	275								0.44	317	56C	WDF-915-40-B5-G	WDFG4015AG	664	GB	25
			180	238	360						0.64	461	56C	WDF-918-40-B5-G	WDFG4018AG	675	GB	30
				340	515						0.66	680	56C	WDF-921-40-B5-G	WDFG4021AG	832	GB	35
					521	781					0.99	1030	56C	WDF-924-40-B5-G	WDFG4024AG	974	GB	40
						524	786	1049			1.23	1296	56C	WDF-926-40-B5-G	WDFG4026AG	1,113	GB	55
							1081	1622	2163		2.20	2374	140TC	WDF-932-40-B7-G	WDFG4032BG	1,633	GB	87
											2.81	2462	140TC	WDF-932-40-B7-G	WDFG4032BG	1,633	GB	87
35	50:1	177	234								0.33	234	56C	WDF-913-50-B5-G	WDFG5013AG	628	GB	20
			230	303							0.33	303	56C	WDF-915-50-B5-G	WDFG5015AG	664	GB	25
				280	370	561					0.58	651	56C	WDF-921-50-B5-G	WDFG5021AG	832	GB	35
					401	608	912				0.83	1014	56C	WDF-924-50-B5-G	WDFG5024AG	974	GB	40
						621	932	1242			1.00	1242	56C	WDF-926-50-B5-G	WDFG5026AG	1,113	GB	55
							958	1278	1917		1.83	2366	140TC	WDF-932-50-B7-G	WDFG5032BG	1,633	GB	92
29	60:1	218	288								0.33	288	56C	WDF-915-60-B5-G	WDFG6015AG	664	GB	25
			220	290							0.47	413	56C	WDF-918-60-B5-G	WDFG6018AG	675	GB	30
				317	418	634					0.50	634	56C	WDF-921-60-B5-G	WDFG6021AG	832	GB	35
					458	693					0.69	956	56C	WDF-924-60-B5-G	WDFG6024AG	974	GB	40
						473	716	1074			0.82	1166	56C	WDF-926-60-B5-G	WDFG6026AG	1,113	GB	55
							1100	1467	2200		1.54	2255	56C	WDF-932-60-B5-G	WDFG6032AG	1,633	GB	92
											2.81	2462	140TC	WDF-932-60-B7-G	WDFG6032BG	1,633	GB	87

NOTE: Service Class I Torque Ratings (1.0 Service Factor)
 Service Class II Torque Ratings (≥ 1.4 Service Factor)
 Service Class III Torque Ratings (≥ 2.0 Service Factor)

ATTENTION: Additional ratios, ratings and mounting configurations are available. Need a fully assembled gearmotor? Have your reducer and motor coupled by utilizing M34D from the Baldor Mod Express section. Please contact your local Baldor representative for assistance.

Vertical motor below gearhead not recommended Replacement oil - 1 Qt P/N MJ0006A05SP (Klubersynth UH1-6-460)
 Avoiding those positions where the high speed oil seal is immersed in oil, will provide greater security against high speed input seal wear.

**900 Series –
Right Angle –
Coupling Type –
Solid Shaft**



GLF1018AG Shown

1.33 thru 3.75 CD

56C thru 180TC

Applications: Ideal for conveyors, material handling, textile machines, packaging machinery. etc. (slow speed and high torque).

Features: Heavy duty cast iron housings, chill cast bronze gears, precision ground hardened worm, ball bearings on input shaft, tapered roller bearings on output shaft. Industry-standard mounting dimensions. Pre-filled with food grade (H1) Klubersynth UH1-6-460 synthetic oil, sealed housing provides maintenance-free lubed for life operation. Motor coupling included.

Nominal Output RPM @ 1750 RPM In	Gear Ratio	Continuous Duty Output Torque (In-Lbs) Based on 1750 RPM Motor									Max Input Hp	Max Output Torque Rating In-Lbs	NEMA Motor Mount	Style Number	Catalog Number	List Price	Mult. Sym.	Ap'x Shpg. Wgt.	
		0.25	0.33	0.5	0.75	1	1.5	2	3	5									7.5
350	5:1			115	154	231					1.50	231	56C	LF-915-05-B5-G	GLF0515AG	561	GB	30	
223	7.5:1				237	356	474				2.70	640	56C	LF-921-7.5-B5-G	GLF0821AG	710	GB	38	
					237	356	474				2.70	640	56C	LF-921-7.5-B5-J	GLF0821AJ	710	GB	38	
					237	356	474				2.70	640	140TC	LF-921-7.5-B7-G	GLF0821BG	710	GB	38	
							501	752				4.30	1079	140TC	LF-926-7.5-B7-G	GLF0826BG	974	GB	60
							501	752				4.30	1079	180TC	LF-926-7.5-B9-G	GLF0826CG	974	GB	60
175	10:1			214	285	428					1.50	428	56C	LF-918-10-B5-G	GLF1018AG	575	GB	32	
					312	468	624				2.02	630	56C	LF-921-10-B5-G	GLF1021AG	710	GB	38	
					312	468	624				2.02	630	140TC	LF-921-10-B7-G	GLF1021BG	710	GB	38	
					312	468	624				2.02	630	140TC	LF-921-10-B7-J	GLF1021BJ	710	GB	38	
					317	475	634				2.73	893	140TC	LF-924-10-B7-G	GLF1024BG	834	GB	45	
							655	983				3.59	1177	140TC	LF-926-10-B7-G	GLF1026BG	974	GB	60
							655	983				3.59	1177	180TC	LF-926-10-B9-G	GLF1026CG	974	GB	60
									990	1649		6.36	2106	180TC	LF-932-10-B9-G	GLF1032CG	1,419	GB	104
117	15:1	89	118	179						0.66	2228	56C	LF-913-15-B5-G	GLF1513AG	516	GB	20		
				246	369	492					1.35	664	56C	LF-921-15-B5-G	GLF1521AG	710	GB	38	
				246	369	492					1.35	664	56C	LF-921-15-B5-J	GLF1521AJ	710	GB	38	
					473	710	947				2.58	1225	140TC	LF-926-15-B7-G	GLF1526BG	974	GB	60	
					473	710	947				2.58	1225	140TC	LF-926-15-B7-J	GLF1526BJ	974	GB	60	
							959	1438			4.66	2241	180TC	LF-932-15-B9-G	GLF1532CG	1,419	GB	100	
							959	1438			4.66	2241	180TC	LF-932-15-B9-J	GLF1532CJ	1,419	GB	105	
									1409	2349		6.64	3118	180TC	LF-938-15-B9-G	GLF1538CG	1,733	GB	130
88	20:1	113	149	226						0.53	239	56C	LF-913-20-B5-G	GLF2013AG	516	GB	20		
			165	251	376					0.92	464	56C	LF-918-20-B5-G	GLF2018AG	575	GB	32		
				323	484	645				1.06	684	56C	LF-921-20-B5-G	GLF2021AG	710	GB	38		

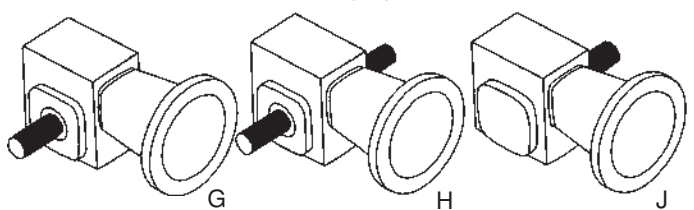
NOTE: Service Class I Torque Ratings (1.0 Service Factor)
 Service Class II Torque Ratings (≥ 1.4 Service Factor)
 Service Class III Torque Ratings (≥ 2.0 Service Factor)

Optional Shaft Positions, Base Installation and Motor Mounting available through Mod Express. Refer to a Baldor District Office for pricing and delivery.

Vertical motor below gearhead not recommended.
 Avoiding those positions where the high speed oil seal is immersed in oil, will provide greater security against high speed input seal wear.
 Replacement oil – 1 Qt P/N MJ0006A05SP (Klubersynth UH1-6-460)

ATTENTION: Additional ratios, ratings and mounting configurations are available.
 Need a fully assembled gearmotor? Have your reducer and motor coupled by utilizing M34D from the Baldor Mod Express section.
 Please contact your local Baldor representative for assistance.

Assembly Types



Definite Purpose Motors
 Unit Handling Motors
 Brake Motors
 200 & 575 Volt Motors
 IEC Frame Motors
 50 Hertz Motors
 Inverter/Vector Motors & Controls
 DC Motors and Controls
 Soft Starters & Dynamic Brakes
 Gearmotors and Gear Products

900 Series – Right Angle – Coupling Type – Solid Shaft continued...

Nominal Output RPM @ 1750 RPM In	Gear Ratio	Continuous Duty Output Torque (In-Lbs) Based on 1750 RPM Motor										Max Input Hp	Max Output Torque Rating In-Lbs	NEMA Motor Mount	Style Number	Catalog Number	List Price	Mult. Sym.	Ap'x Shpg. Wgt.
		0.25	0.33	0.5	0.75	1	1.5	2	3	5	7.5								
88	20:1		323	484	645							1.06	684	56C	LF-921-20-B5-J	GLF2021AJ	710	GB	38
						609	913	1218				2.15	1308	140TC	LF-926-20-B7-G	GLF2026BG	974	GB	60
						609	913	1218				2.15	1308	140TC	LF-926-20-B7-J	GLF2026BJ	974	GB	60
							924	1232	1848			3.85	2383	180TC	LF-932-20-B9-G	GLF2032CG	1,419	GB	100
70	25:1		156	296	312							0.51	318	56C	LF-915-25-B5-G	GLF2515AG	561	GB	30
				183	277	416						0.80	444	56C	LF-918-25-B5-B	GLF2518AG	575	GB	32
				250	379	549						0.89	675	56C	LF-921-25-B5-G	GLF2521AG	710	GB	38
				250	379	569						0.89	675	56C	LF-921-25-B5-J	GLF2521AJ	710	GB	38
						567	756	1134				1.73	1307	56C	LF-926-25-B5-G	GLF2526AG	974	GB	60
						567	756	1134				1.73	1307	140TC	LF-926-25-B7-G	GLF2526BG	974	GB	60
						567	756	1134				1.73	1307	140TC	LF-926-25-B7-J	GLF2526BJ	974	GB	60
							1134	1513	2269			3.13	2355	140TC	LF-932-25-B7-G	GLF2532BG	1,419	GB	100
							1134	1513	2269			3.13	2355	180TC	LF-932-25-B9-G	GLF2532CG	1,419	GB	100
							1134	1513	2269			3.13	2355	180TC	LF-932-25-B9-J	GLF2532CJ	1,419	GB	100
58	30:1		148	195								0.42	248	56C	LF-913-30-B5-G	GLF3013AG	516	GB	20
			159	210	318							0.50	318	56C	LF-915-30-B5-G	GLF3015AG	561	GB	30
				216	327							0.72	470	56C	LF-918-30-B5-G	GLF3018AG	575	GB	32
				216	327							0.72	470	56C	LF-918-30-B5-J	GLF3018AJ	575	GB	32
				275	416	624						0.83	691	56C	LF-921-30-B5-G	GLF3021AG	710	GB	38
					420	630	840					1.32	1111	56C	LF-924-30-B5-G	GLF3024AG	834	GB	45
						641	854	1281				1.54	1313	140TC	LF-926-30-B7-G	GLF3026BG	974	GB	60
						641	854	1281				1.54	1313	140TC	LF-926-30-B7-J	GLF3026BJ	974	GB	60
							881	1322	1763			2.81	2482	180TC	LF-932-30-B9-G	GLF3032CG	1,419	GB	100
								1626	2438			3.97	3226	180TC	LF-938-30-B9-G	GLF3038CG	1,733	GB	130
44	40:1		180	238	360							0.64	461	56C	LF-918-40-B5-G	GLF4018AG	575	GB	32
					521	781						0.99	1030	56C	LF-924-40-B5-G	GLF4024AG	834	GB	45
					524	786	1049					1.23	1296	56C	LF-926-40-B5-G	GLF4026AG	974	GB	60
						1180	1620	2160				2.20	2374	140TC	LF-932-40-B7-G	GLF4032BG	1,419	GB	100
35	50:1																		
				280	370	561													
29	60:1																		
						621	932	1242				1.00	1242	56C	LF-926-50-B5-G	GLF5026AG	974	GB	60
				218	288							0.33	288	56C	LF-915-60-B5-G	GLF6015AG	561	GB	30
				220	290							0.47	413	56C	LF-918-60-B5-G	GLF6018AG	575	GB	32
				317	418	634						0.50	634	56C	LF-921-60-B5-G	GLF6021AG	710	GB	38
					473	716	1074					0.82	1166	56C	LF-926-60-B5-G	GLF6026AG	974	GB	60
							1100	1467	2200			1.54	2255	56C	LF-932-60-B5-G	GLF6032AG	1,419	GB	100
							1100	1467	2200			1.54	2255	140TC	LF-932-60-B7-G	GLF6032BG	1,419	GB	100

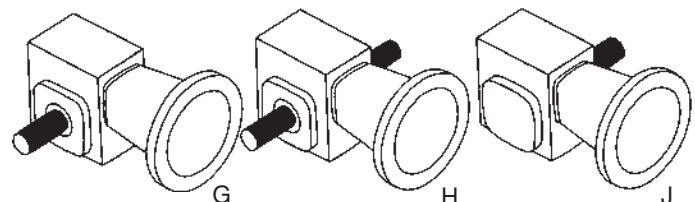
- NOTE:**
- Service Class I Torque Ratings (1.0 Service Factor)
 - Service Class II Torque Ratings (≥ 1.4 Service Factor)
 - Service Class III Torque Ratings (≥ 2.0 Service Factor)

Optional Shaft Positions, Base Installation and Motor Mounting available through Mod Express. Refer to a Baldor District Office for pricing and delivery.

Vertical motor below gearhead not recommended. Avoiding those positions where the high speed oil seal is immersed in oil, will provide greater security against high speed input seal wear. Replacement oil – 1 Qt P/N MJ0006A05SP (Klubersynth UH1-6-460)

ATTENTION: Additional ratios, ratings and mounting configurations are available. Need a fully assembled gearmotor? Have your reducer and motor coupled by utilizing M34D from the Baldor Mod Express section. Please contact your local Baldor representative for assistance.

Assembly Types



**900 Series –
Right Angle –
Solid Shaft**



GS3018G Shown

1.33 thru 2.62 CD

Applications: Ideal for conveyors, material handling, textile machines, packaging machinery and more. Suitable for direct coupling or belted input (slow speed and high torque).

Features: Heavy duty cast iron housings, chill cast bronze gears, precision ground hardened worm, ball bearings on input shaft, tapered roller bearings on output shaft. Industry-standard mounting dimensions. Pre-filled with food grade (H1) Klubersynth UH1-6-460 synthetic oil, sealed housing provides maintenance-free lubed for life operation.

Nominal Output RPM @ 1750 RPM In	Gear Ratio	Continuous Duty Output Torque (In-Lbs) Based on 1750 RPM Motor										Max Input Hp	Max Output Torque Rating In-Lbs	Style Number	Catalog Number	List Price	Mult. Sym.	Ap'x Shpg. Wgt.
		0.25	0.33	0.5	0.75	1	1.5	2	3	5	7.5							
175	10:1				214	285	428					1.50	428	S-918-10-G	GS1018G	482	GB	25
						312	468	624				2.02	630	S-921-10-G	GS1021G	568	GB	28
								492	655			3.59	1177	S-926-10-G	GS1026G	798	GB	50
117	15:1	96	127	193							0.66	225	S-915-15-G	GS1515G	476	GB	21	
				209	314	419						1.07	448	S-918-15-G	GS1518G	482	GB	25
				246	369	492						1.35	664	S-921-15-G	GS1521G	568	GB	28
88	20:1		165	251	376						0.92	461	S-918-20-G	GS2018G	482	GB	25	
				323	484	645						1.06	684	S-921-20-G	GS2021G	568	GB	28
					451	602	902					1.72	1038	S-924-20-G	GS2024G	708	GB	38
						609	913	1218				2.15	1308	S-926-20-G	GS2026G	798	GB	50
58	30:1	156	206	312							0.51	318	S-915-25-G	GS2515G	476	GB	21	
		148	195								0.42	248	S-913-30-G	GS3013G	461	GB	18	
			216	327								0.72	470	S-918-30-G	GS3018G	482	GB	25
			275	416	624							0.83	691	S-921-30-G	GS3021G	568	GB	28
44	40:1			641	854	1281					1.54	1313	S-926-30-G	GS3026G	798	GB	50	
		208	275								0.38	317	S-915-40-G	GS4015G	476	GB	21	
		180	238	360							0.64	461	S-918-40-G	GS4018G	482	GB	25	
			340	515								0.66	680	S-921-40-G	GS4021G	568	GB	28
35	50:1			524	786	1049					1.23	1296	S-926-40-G	GS4026G	798	GB	50	
		222	294								0.49	436	S-918-50-G	GS5018G	482	GB	25	
		280	370	561							0.59	651	S-921-50-G	GS5021G	568	GB	28	
29	60:1			621	932	1242					1.00	1242	S-926-50-G	GS5026G	798	GB	50	
		179									0.28	201	S-913-60-G	GS6013G	461	GB	15	
		218	288								0.33	288	S-915-60-G	GS6015G	476	GB	21	
		220	290								0.47	413	S-918-60-G	GS6018G	482	GB	25	
		317	418	634							0.50	634	S-921-60-G	GS6021G	568	GB	31	
			458	693								0.69	958	S-924-60-G	GS6024G	708	GB	38
	473	716	1074							0.82	1166	S-926-60-G	GS6026G	798	GB	50		

NOTE: [White Box] Service Class I Torque Ratings (1.0 Service Factor) [Grey Box] Service Class II Torque Ratings (≥ 1.4 Service Factor) [Orange Box] Service Class III Torque Ratings (≥ 2.0 Service Factor)

Optional Shaft Positions and Base Installation available through Mod Express.
Refer to a Baldor District Office for pricing and delivery.

Vertical motor below gearhead not recommended.
Avoiding those positions where the high speed oil seal is immersed in oil, will provide greater security against high speed input seal wear.
Replacement oil – 1 Qt P/N MJ0006A05SP (Klubersynth UH1-6-460)

ATTENTION: Additional ratios, ratings and mounting configurations are available.
Need a fully assembled gearmotor? Have your reducer and motor coupled by utilizing M34D from the Baldor Mod Express section.
Please contact your local Baldor representative for assistance.

Definite Purpose Motors
Unit Handling Motors
Brake Motors
200 & 575 Volt Motors
IEC Frame Motors
50 Hertz Motors
Inverter/Vector Motors & Controls
DC Motors and Controls
Soft Starters & Dynamic Brakes
Gearmotors and Gear Products

Universal Series - Right Angle - Quill Type - Solid Shaft

1.33 thru 3.50 CD

56C thru 180TC

Applications: Ideal for conveyors, material handling, textile machines, packaging machinery. etc. (slow speed and high torque).

Features: Heavy duty cast iron housings, forged bronze worm gears, hardened steel worms, ball bearing on input shaft, tapered roller bearings on output shaft. Integral heavy duty mounting feet cast on top and bottom of housing. Single output shaft, right hand facing input shaft. Pre-lubricated with Klubersynth UH1-6-460.



GSF2018AA Shown

Nominal Output RPM @ 1750 RPM In	Gear Ratio	Continuous Duty Output Torque (In-Lbs) Based on 1750 RPM Motor										Max Input Hp	Max Output Torque Rating In-Lbs	NEMA Motor Mount	Style Number	Catalog Number	List Price	Mult. Sym.	Ap'x Shpg. Wgt.
		0.18	0.25	0.33	0.5	0.75	1	1.5	2	3	5								
175	10:1			109	163							0.64	207	56C	STF-133-10-A-A	GSF1013AA	629	GB	21
						245	327					1.22	396	56C	STF-175-10-A-A	GSF1018AA	689	GB	22
						245	327					1.22	396	140TC	STF-175-10-B-A	GSF1018BA	689	GB	23
						244	325	488				1.77	572	56C	STF-200-10-A-A	GSF1020AA	821	GB	30
							325	488				1.77	572	140TC	STF-200-10-B-A	GSF1020BA	821	GB	29
							325	488	651			2.44	788	140TC	STF-225-10-B-A	GSF1023BA	932	GB	32
							488	651				3.43	1109	140TC	STF-258-10-B-A	GSF1026BA	1,188	GB	49
								651	976			3.43	1109	180TC	STF-258-10-C-A	GSF1026CA	1,188	GB	55
117	15:1			119	159							0.46	221	56C	STF-133-15-A-A	GSF1513AA	629	GB	21
				159	239	359						0.87	416	56C	STF-175-15-A-A	GSF1518AA	689	GB	23
				238	357	475						1.28	605	56C	STF-200-15-A-A	GSF1520AA	821	GB	29
					359	478	717					1.84	875	56C	STF-225-15-A-A	GSF1523AA	932	GB	34
						478	717					1.84	875	140TC	STF-225-15-B-A	GSF1523BA	932	GB	33
						478	717	956				2.50	1188	140TC	STF-258-15-B-A	GSF1526BA	1,188	GB	51
						717	956					3.25	1544	140TC	STF-300-15-B-A	GSF1530BA	1,357	GB	57
						717	956	1434				3.25	1544	180TC	STF-300-15-C-A	GSF1530CA	1,357	GB	61
88	20:1		102	154	205							0.36	220	56C	STF-133-20-A-A	GSF2013AA	629	GB	20
				205	308							0.68	419	56C	STF-175-20-A-A	GSF2018AA	689	GB	23
					308	462	616					1.00	612	56C	STF-200-20-A-A	GSF2020AA	821	GB	30
					308	462	616					1.00	612	140TC	STF-200-20-B-A	GSF2020BA	821	GB	28
					309	463	617					1.35	8.28	56C	STF-225-20-A-A	GSF2023AA	932	GB	34
					309	463	617					1.35	8.28	140TC	STF-225-20-B-A	GSF2023BA	932	GB	33
						461	615	923				1.92	1174	56C	STF-258-20-A-A	GSF2026AA	1,188	GB	51
						615	923					1.92	1174	140TC	STF-258-20-B-A	GSF2026BA	1,188	GB	51
						615	923	1230				2.52	1541	140TC	STF-300-20-B-A	GSF2030BA	1,357	GB	57
							923	1230				2.52	1541	180TC	STF-300-20-C-A	GSF2030CA	1,357	GB	62
								1230	1845			3.89	2363	180TC	STF-350-20-C-A	GSF2035CA	1,862	GB	93

NOTE:
 Service Class I Torque Ratings (1.0 Service Factor)
 Service Class II Torque Ratings (≥ 1.4 Service Factor)
 Service Class III Torque Ratings (≥ 2.0 Service Factor)

Vertical motor below gearhead not recommended.
 Avoiding those positions where the high speed oil seal is immersed in oil, will provide greater security against high speed input seal wear.
 Replacement oil – 1 Qt P/N MJ0006A05SP (Klubersynth UH1-6-460)

ATTENTION: Additional ratios, ratings and mounting configurations are available.
 Need a fully assembled gearmotor? Have your reducer and motor coupled by utilizing M34D from the Baldor Mod Express section.
 Please contact your local Baldor representative for assistance.

Definite Purpose
Motors

Unit Handling
Motors

Brake Motors

200 & 575 Volt
Motors

IEC Frame
Motors

50 Hertz
Motors

Inverter/Vector
Motors & Controls

DC Motors
and Controls

Soft Start &
Dynamic Brakes

Gearmotors and
Gear Products

Universal Series – Right Angle – Quill Type – Solid Shaft continued...

Nominal Output RPM @ 1750 RPM In	Gear Ratio	Continuous Duty Output Torque (In-Lbs) Based on 1750 RPM Motor										Max Input Hp	Max Output Torque Rating In-Lbs	NEMA Motor Mount	Style Number	Catalog Number	List Price	Mult. Sym.	Ap'x Shpg. Wgt.
		0.18	0.25	0.33	0.5	0.75	1	1.5	2	3	5								
70	25:1	123	186									0.29	218	56C	STF-133-25-A-A	GSF2513AA	629	GB	21
			186	247	371							0.55	406	56C	STF-175-25-A-A	GSF2518AA	689	GB	23
				247	371	557						0.81	601	56C	STF-200-25-A-A	GSF2520AA	821	GB	29
					375	563	751					1.09	814	56C	STF-225-25-A-A	GSF2523AA	932	GB	33
							744	1114	1489			2.08	1539	140TC	STF-300-25-B-A	GSF2530BA	1,357	GB	56
58	30:1	145	218								0.24	214	56C	STF-133-30-A-A	GSF3013AA	629	GB	21	
			218	289							0.47	406	56C	STF-175-30-A-A	GSF3018AA	689	GB	22	
				289	435	652					0.77	665	56C	STF-200-30-A-A	GSF3020AA	821	GB	30	
					435	652					0.98	847	56C	STF-225-30-A-A	GSF3023AA	932	GB	33	
						435	652	869			1.35	1166	56C	STF-258-30-A-A	GSF3026AA	1,188	GB	50	
							869	1304			1.74	1501	140TC	STF-300-30-B-A	GSF3030BA	1,357	GB	57	
								869	1304	1739	2.82	2443	140TC	STF-350-30-B-A	GSF3035BA	1,862	GB	90	
44	40:1	181									0.19	206	56C	STF-133-40-A-A	GSF4013AA	629	GB	21	
		180	272	362							0.36	389	56C	STF-175-40-A-A	GSF4018AA	689	GB	11	
			272	362	543						0.52	568	56C	STF-200-40-A-A	GSF4020AA	821	GB	30	
				364	547						0.71	772	56C	STF-225-40-A-A	GSF4023AA	932	GB	33	
					545	817	1090				1.01	1095	56C	STF-258-40-A-A	GSF4026AA	1,188	GB	51	
						542	815	1087			1.36	1470	56C	STF-300-40-A-A	GSF4030AA	1,357	GB	57	
							542	815	1087		1.36	1470	140TC	STF-300-40-B-A	GSF4030BA	1,357	GB	54	
								1087	1630	2173	2.24	2405	140TC	STF-350-40-B-A	GSF4035BA	1,862	GB	87	
35	50:1	210									0.15	191	56C	STF-133-50-A-A	GSF5013AA	629	GB	21	
		210	316								0.28	360	56C	STF-175-50-A-A	GSF5018AA	689	GB	23	
		211	317	423							0.42	536	56C	STF-200-50-A-A	GSF5020AA	821	GB	30	
			317	422							0.55	693	56C	STF-225-50-A-A	GSF5023AA	932	GB	33	
				422	634	951					0.79	995	56C	STF-258-50-A-A	GSF5026AA	1,188	GB	51	
					634	952	1270				1.07	1350	140TC	STF-300-50-B-A	GSF5030BA	1,357	GB	57	
							952	1270	1904		1.75	2196	140TC	STF-350-50-B-A	GSF5035BA	1,862	GB	89	
29	60:1	235									0.24	343	56C	STF-175-60-A-A	GSF6018AA	689	GB	23	
		234	353	470							0.36	505	56C	STF-200-60-A-A	GSF6020AA	821	GB	29	
			346	461	692						0.51	702	56C	STF-225-60-A-A	GSF6023AA	932	GB	33	
				470	706						0.69	976	56C	STF-258-60-A-A	GSF6026AA	1,188	GB	51	
					706	1059					0.84	1179	56C	STF-300-60-A-A	GSF6030AA	1,357	GB	56	
							1059	1413	2119		1.50	2128	140TC	STF-350-60-B-A	GSF6035BA	1,862	GB	89	

NOTE:

- Service Class I Torque Ratings (1.0 Service Factor)
- Service Class II Torque Ratings (≥ 1.4 Service Factor)
- Service Class III Torque Ratings (≥ 2.0 Service Factor)

Optional Shaft Positions, Bases Installation and Motor Mounting available through Mod Express.
Refer to Baldor District Office for Price and Delivery.

Vertical motor below gearhead not recommended.

Avoiding those positions where the high speed oil seal is immersed in oil, will provide greater security against high speed input seal wear.

Replacement oil – 1 Qt P/N MJ0006A05SP (Klubersynth UH1-6-460)

ATTENTION: Additional ratios, ratings and mounting configurations are available.

Need a fully assembled gearmotor? Have your reducer and motor coupled by utilizing M34D from the Baldor Mod Express section.

Please contact your local Baldor representative for assistance.

Define Purpose Motors
Unit Handling Motors
Brake Motors
200 & 575 Volt Motors
IEC Frame Motors
50 Hertz Motors
Inverter/Vector Motors & Controls
DC Motors and Controls
Soft Starters & Dynamic Brakes
Gearmotors and Gear Products

Definite Purpose Motors

Unit Handling Motors

Brake Motors

200 & 575 Volt Motors

IEC Frame Motors

50 Hertz Motors

Inverter/Vector Motors & Controls

DC Motors and Controls

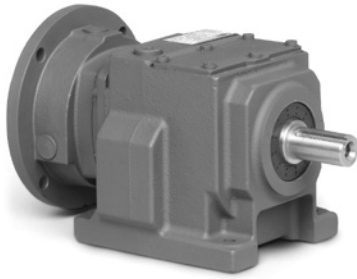
Soft Start & Dynamic Brakes

Gearmotors and Gear Products

Inline Helical

4 Sizes

56C thru 250TC



Applications: Ideal for conveyors, material handling, textile machines, packaging machinery. etc. (slow speed and high torque).

Features: Baldor's new ILH (in-line helical) gearboxes have higher torque ratings in a compact design. Clamp collar 56C - 250TC offers compact C-face solution. Heavy-duty cast iron housings, hardened and ground AGMA class 11 gears for greater impact resistance and longer service life. Pre-fill for horizontal mounting to insure proper oil grade and fill level.

Table with columns: Nominal RPMs, Continuous Duty Output Torque (in-lbs.) Based on 1750 RPM Motors, Max Input Hp, Max Output Torque Rating In-Lbs., NEMA, Style Number, Catalog Number, List Price, Mult. Sym., Ap'x. Shpg. Wgt.

- NOTE: [White] Service Class I Torque Ratings (1.0 Service Factor), [Light Blue] Service Class II Torque Ratings (>= 1.4 Service Factor), [Light Red] Service Class III Torque Ratings (>= 2.0 Service Factor)

ATTENTION: Additional ratios, ratings and mounting configurations are available. Please contact your local Baldor representative for assistance.

**Ratio Multiplier –
Inline – Quill Type –
Solid Shaft**



2 Sizes

56C thru 140TC

Applications: Reducer or Increaser*. Combine with Right Angle units for high ratios. May also be used as a stand alone with optional base kits.

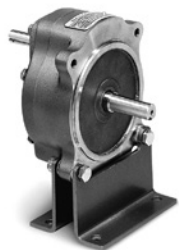
Features: High efficiency. Cast iron construction, universal mounting positions, and optional base mounting. Internal compression chamber eliminates breather vent. Lubricated for life with Klubersynth GH6-150.

* Custom style "SX" can be back driven to increase motor speed. Max output speed, 4500 RPMS.

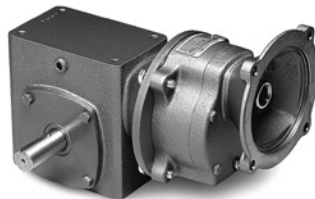
Size	Output RPM @ 1750 RPM in.	Gear Ratio	Input Style	Output Style	Catalog Number	List Price	Mult. Sym.	Ap'x. Shpg. Wgt.	Type
1	875	2:1	56C	56C	GCF2X01AA	459	GB	17	FX1-2-B5-56C
	583	3:1	56C	56C	GCF3X01AA	459	GB	17	FX1-3-B5-56C
	438	4:1	56C	56C	GCF4X01AA	459	GB	17	FX1-4-B5-56C
	350	5:1	56C	56C	GCF5X01AA	459	GB	19	FX1-5-B5-56C
2	875	2:1	140TC	140TC	GCF2X02BB	553	GB	28	FX2-2-B7-140TC
	583	3:1	140TC	140TC	GCF3X02BB	553	GB	28	FX2-3-B7-140TC
	438	4:1	140TC	140TC	GCF4X02BB	553	GB	29	FX2-4-B7-140TC
	350	5:1	56C	140TC	GCF5X02AB	553	GB	29	FX2-5-B5-140TC
	350	5:1	140TC	140TC	GCF5X02BB	553	GB	28	FX2-5-B7-140TC

Ratings at 1750 RPM Input

Size	Ratio	Output RPM	Input Hp	Output Hp	Output Torque	Output Shaft OHL
1	2:1	875	2.06	1.96	141	173
	3:1	583	1.70	1.62	175	203
	4:1	438	1.50	1.42	205	224
	5:1	350	1.13	1.08	194	247
2	2:1	875	12.42	12.17	877	445
	3:1	583	8.68	8.42	911	445
	4:1	438	6.34	6.15	885	445
	5:1	350	5.40	5.17	931	360



BRMX01
with Style SX1 Ratio Multiplier



Ratio Multiplier
with F900 Series Reducer

Optional Base Kits

Size	Catalog Number	List Price	Mult. Sym.	Ap'x. Shpg. Wgt.
1	BRMX01	67	A8	6
2	BRMX02	117	A8	2

ATTENTION: Additional ratios, ratings and mounting configurations are available. Please contact your local Baldor representative for assistance.

Definite Purpose Motors

Unit Handling Motors

Brake Motors

200 & 575 Volt Motors

IEC Frame Motors

50 Hertz Motors

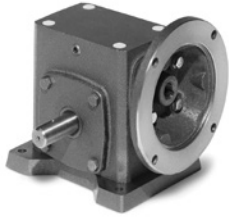
Inverter/Vector Motors & Controls

DC Motors and Controls

Soft Starters & Dynamic Brakes

Gearmotors and Gear Products

900 Series - Right Angle - Base Kits



Horizontal Base



J Base



Vertical Base



Washdown Base

Universal Series - Right Angle - Base Kits



Base Description	Size (Position)	Catalog Number	List Price	Mult. Sym.	Ap'x. Shpg. Wgt.
HORIZ.	913 (A,B)	B13H71	67	A8	5
VERT. low	913 (D,F)	B13V81	117	A8	2
VERT. high	913 (C,E)	B13V91	118	A8	3
VERT. J	913 (X,Y)	B13J92	243	A8	3
HORIZ.	915 (A,B)	B15H71	47	A8	3
VERT. low	915(D,F)	B18V81	121	A8	3
VERT. high	915 (C,E)	B18V91	122	A8	3
VERT. J	915 (X,Y)	B18J92	246	A8	6
HORIZ.	918 (A,B)	B18H71	81	A8	6
VERT. low	918 (D,F)	B18V81	121	A8	3
VERT. high	918 (C,E)	B18V91	122	A8	3
VERT. J	918 (X,Y)	B18J92	246	A8	6
HORIZ.	921G (A,B)	B21GH71	84	A8	5
HORIZ.	921 (A,B)	B21H71	87	A8	6
VERT. low	921 (D,F)	B21V81	132	A8	4
VERT. high	921 (C,E)	B21V91	136	A8	6
VERT. J	921 (X,Y)	B21J92	260	A8	7
HORIZ.	924 (A,B)	B24H71	105	A8	8
VERT. low	924 (D,F)	B24V81	148	A8	4
VERT. high	924 (C,E)	B24V91	160	A8	6
VERT. J	924 (X,Y)	B24J92	276	A8	9
HORIZ.	926 (A,B)	B26H71	117	A8	9
VERT. low	926 (D,F)	B26V81	199	A8	6
VERT. high	926 (C,E)	B26V91	202	A8	9
VERT. J	926 (X,Y)	B26J92	327	A8	10
HORIZ.	930 (A,B)	B30H71	133	A8	4
VERT. low	930 (D,F)	B30V81	199	A8	8
VERT. high	930 (C,E)	B30V91	202	A8	16
HORIZ.	932 (A,B)	B32H71	158	A8	13
VERT. low	932 (D,F)	B32V81	234	A8	10
VERT. high	932 (C,E)	B32V91	240	A8	13
HORIZ.	938 (A,B)	B38H71	189	A8	15
VERT. low	938(D,F)	B38V81	281	A8	38
VERT. high	938(C,E)	B38V91	295	A8	36
Optional Washdown Base Kits					
HORIZ.	913 (A,B)	WDB13H71	87	A8	3
HORIZ.	915 (A,B)	WDB15H71	87	A8	4
HORIZ.	918 (A,B)	WDB18H71	108	A8	6
HORIZ.	921 (A,B)	WDB21H71	114	A8	6
HORIZ.	924 (A,B)	WDB24H71	123	A8	8
HORIZ.	926 (A,B)	WDB26H71	139	A8	9
HORIZ.	930 (A,B)	WDB30H71	154	A8	6
HORIZ.	932 (A,B)	WDB32H71	181	A8	13
Optional Stainless Steel Base Kits					
HORIZ.	918 (A,B)	SSB18H71	395	A8	8
HORIZ.	921 (A,B)	SSB21H71	411	A8	10
HORIZ.	926 (A,B)	SSB26H71	454	A8	13

Kit includes angle bases and hardware. Converts style STF to SVF.

Size	NEMA Flange	Catalog Number	List Price	Mult. Sym.	Ap'x. Shpg. Wgt.
133-175	56C/140TC	B1317V81	118	A8	2
200-225	56C/140TC	B2022V81	123	A8	3
258-300	56C/140TC	B2530V81	191	A8	4
258-300	180TC	B2530V81	191	A8	4
350	56C/140TC 180TC/210TC	B3500V81	221	A8	5

Definite Purpose Motors

Unit Handling Motors

Brake Motors

200 & 575 Volt Motors

IEC Frame Motors

50 Hertz Motors

Inverter/Vector Motors & Controls

DC Motors and Controls

Soft Start & Dynamic Brakes

Gearmotors and Gear Products

**NEMA C-Face
Flange Kits
(coupling type)**



Flange adapts NEMA C face motors to 900 Series type S reducers. Includes flange, flexible coupling and mounting hardware.

Size	NEMA Flange	Catalog Number	List Price	Mult. Sym.	Ap'x. Shpg. Wgt
913	56C	SFL913B5	183	A8	8
915	56C	SFL918B5	183	A8	9
	140TC	SFL918B7	183	A8	8
918	56C	SFL918B5	183	A8	9
	140TC	SFL921B5	203	A8	11
921	56C	SFL921B7	203	A8	11
	140TC	SFL924B5	203	A8	11
924	56C	SFL924B7	203	A8	11
	140TC	SFL926B5	261	A8	14
926	56C	SFL926B7	261	A8	15
	140TC	SFL926B7	261	A8	15

Riser Block Kits



Riser Blocks permit the gearbox to be mounted in the most desirable position (high speed input shaft above the oil level). They mount on top of the gearbox to provide clearance between the motor and the mounting surface. Kit includes the Riser Block and attachment bolts.

Size	NEMA Flange	Catalog Number	List Price	Mult. Sym.	Ap'x. Shpg. Wgt
913	56C	RBK13B5	69	A8	5
915	56C/140TC	RBK15B5	87	A8	5
918	56C/140TC	RBK18B5	108	A8	5
921	56C/140TC	RBK21B5	139	A8	5
924	56C/140TC	RBK24B5	146	A8	5
	180TC	RBK24B9	276	A8	10
926	56C/140TC	RBK26B5	154	A8	8
	180TC	RBK26B9	336	A8	11
930	56C/140TC	RBK30B5	174	A8	15
	180TC	RBK30B9	373	A8	15
932	56C/140TC	RBK32B5	234	A8	8
	180TC	RBK32B9	461	A8	15

Torque Arm Kits



Kit includes turnbuckle and both mounting brackets. Secures hollow shaft reducer to application.

Size	Catalog Number	List Price	Mult. Sym.	Ap'x. Shpg. Wgt.
H50	TA05HK	88	A8	2
913	TA13HK	170	A8	2
918	TA18HK	188	A8	2
921	TA21HK	210	A8	6
924	TA24HK	211	A8	2
926	TA26HK	215	A8	2
930	TA30HK	219	A8	2
932	TA32HK	224	A8	6
938	TA38HK	234	A8	2

Definite Purpose Motors

Unit Handling Motors

Brake Motors

200 & 575 Volt Motors

IEC Frame Motors

50 Hertz Motors

Inverter/Vector Motors & Controls

DC Motors and Controls

Soft Starters & Dynamic Brakes

Gearmotors and Gear Products

Output Flange Kits



Size	Catalog Number	List Price	Mult. Sym.	Ap'x. Shpg. Wgt.
913	FL13HK	110	A8	2
915	FL15HK	118	A8	6
918	FL18HK	123	A8	3
921	FL21HK	138	A8	3
924	FL24HK	196	A8	4
926	FL26HK	211	A8	6
930	FL30HK	219	A8	6
932	FL32HK	227	A8	12
938	FL38HK	235	A8	12

Bushing Kits for Hollow Shaft Reducers

Size	Shaft Diameter	Catalog Number	List Price	Mult. Sym.	Size	Shaft Diameter	Catalog Number	List Price	Mult. Sym.
918	3/4	BU100H012	139	A8	924/926	1-1/4	BU107H104	170	A8
	7/8	BU100H014	139	A8		1-5/16	BU107H105	170	A8
	15/16	BU100H015	158	A8	930/932	1.00	BU115H100	234	A8
924/926	15/16	BU107H015	170	A8		1-7/16	BU115H107	234	A8
	1	BU107H100	170	A8		1-1/2	BU115H108	234	A8
	1-1/8	BU107H102	170	A8		1-5/8	BU115H110	234	A8
	1-3/16	BU107H103	170	A8		1-11/16	BU115H111	234	A8
					1-3/4	BU115H112	234	A8	

Stainless Steel Bushing

Size	Shaft Diameter	Catalog Number	List Price	Mult. Sym.
918	3/4	SSBU100H012	166	A8
918	7/8	SSBU100H014	166	A8
918	15/16	SSBU100H015	166	A8
921	15/16	SSBU104H015	105	A8
921	1	SSBU104H100	105	A8
926	15/16	SSBU107H015	199	A8
926	1	SSBU107H100	199	A8
926	1-1/8	SSBU107H102	199	A8
926	1-3/16	SSBU107H103	199	A8
926	1-1/4	SSBU107H104	199	A8
926	1-5/16	SSBU107H105	199	A8

Double Reduction Adapter Kits



900 series double reduction units may be assembled from stock single reduction units using the adapter kits.

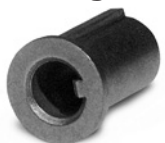
Catalog Number	Primary Unit (a)	Secondary Unit (b)	List Price	Mult. Sym.
DR913X913B5	913	913-B5	183	A8
DR913X918B5	913	918-B5	191	A8
DR913X921B5	913	921-B5	202	A8
DR913X924B5	913	924-B5	202	A8
DR913X926B5	913	926-B5	219	A8
DR918X924B7	918	924-B7	219	A8
DR918X926B7	918	930-B7/926-B7	227	A8
DR918X932B7	918	932-B7	227	A8
DR924X938B9	924	938-B9	227	A8

NOTE: Each adapter kit consists of: 1 Adapter; 1 Seal (Installed); 1 Shim Set; 4 Screws; 1 Bearing Cup (Installed); 4 Lock Washers; and 1 Sealant Package.

(a) Any style except shaft mount

(b) F and HF styles only

Bushing Kit



Reduces bore size of Quill type input shafts from 7/8 to 5/8. Sintered metal bushing with integral internal and external keys.

Catalog Number	List Price	Mult. Sym.
133-6FBA	69	A8

Definite Purpose Motors

Unit Handling Motors

Brake Motors

200 & 575 Volt Motors

IEC Frame Motors

50 Hertz Motors

Inverter/Vector Motors & Controls

DC Motors and Controls

Soft Start & Dynamic Brakes

Gearmotors and Gear Products

C-Face Kits for Field Conversion – NEMA AC Motors



Features: Complete kits with all hardware necessary for converting Baldor 56 though 449T frame rigid base motors to “C-Face” mounting with base. For Baldor conversion, refer to the Mod Express section in this catalog. Please furnish the motor specification number when ordering. NEMA “BA” dimension will be non-standard after conversion on NEMA 143-5T, 182-4T, 213-5T and 254-6T frame motors.

Catalog Number	Description Frame (Baldor Type)	Enclosure	Bearing	List Price	Mult. Sym.	Ap'x. Shpg. Wgt.	
34-3900T	48C (34)	TEFC	6203	60	A8	1	
34-171	56C (34)	TEFC	6203	60	A8	2	
34-3903A	143-5TC (34)	ODP	6205	73	A8	2	
34-3903A-GLD	143-5TC (34)	ODP	6205	73	A8	2	
34-3903T	143-5TC (34)	TEFC	6205	76	A8	2	
34-3903T-GLD	143-5TC (34)	TEFC	6205	76	A8	2	
35-8762	56C,143-5TC (35)	TEFC	6205	70	A8	3	
35-8762GLD	56C,143-5TC (35)	TEFC	6205	70	A8	3	
35-8764	56C,143-5TC (35)	ODP	6205	70	A8	3	
35-8764GLD	56C,143-5TC (35)	ODP	6205	70	A8	3	
35-3304	182-4TC (35)	TEFC	6206	85	A8	4	
35-1300	56C,143-5TC (35)	TEFC	6205	120	A8	6	
35-1300GLD	56C,143-5TC (35)	TEFC	6205	120	A8	6	
35-1325	182-4TC (35)	TEFC	6206	154	A8	11	
35-1325GLD	182-4TC (35)	TEFC	6206	154	A8	11	
35-1409	182-4TC (35)	ODP	6206	172	A8	11	
35-1409GLD	182-4TC (35)	ODP	6206	172	A8	11	
36-1037	182-4C (36)	TEFC	6206	137	A8	8	
36-1037GLD	182-4C (36)	TEFC	6206	42	A8	7	
36-1206A	213-5TC (36)	OPSB	6207	176	A8	13	
36-1206A-GLD	213-5TC (36)	OPSB	6207	176	A8	13	
36-1206B	213-5TC (36)	ODP	6207	186	A8	14	
36-1206B-GLD	213-5TC (36)	ODP	6207	186	A8	14	
36-486	182-4C (36)	ODP	6206	194	A8	8	
36-486GLD	182-4C (36)	ODP	6206	194	A8	8	
36-3301	182-4TC (36)	TEFC	6206	99	A8	5	
36-3301GLD	182-4TC (36)	TEFC	6206	99	A8	5	
36-3403	182-4TC (36)	ODP	6206	116	A8	5	
36-3403GLD	182-4TC (36)	ODP	6206	116	A8	5	
36-1749	182-4TC (36)	TEFC	6206	173	A8	12	
36-1749GLD	182-4TC (36)	TEFC	6206	173	A8	12	
37-1404	213-5C, TC (37)	ODP	6307	231	A8	14	
37-1404GLD	213-5C, TC (37)	ODP	6307	231	A8	14	
37-1304	213-5C, TC (37)	TEFC	6307	192	A8	12	
37-1304GLD	213-5C, TC (37)	TEFC	6307	192	A8	12	
37-1402	254-6UC, TC (37)	ODP	6309	274	A8	18	
37-1402GLD	254-6UC, TC (37)	ODP	6309	274	A8	18	
37-1302	254-6UC, TC (37)	TEFC	6309	292	A8	18	
37-1302GLD	254-6UC, TC (37)	TEFC	6309	292	A8	18	
09-1309	254-6UC, TC (09)	●	TEFC	6309	394	A8	22
09-1309GLD	254-6UC, TC (09)	●	TEFC	6309	394	A8	22
09-1310	284-6UC, TC (09)	●	TEFC	6311	596	A8	22
09-1310GLD	284-6UC, TC (09)	●	TEFC	6311	596	A8	22

NOTE: Specification number of motor should be verified when ordering.

Kits that have catalog numbers ending in “GLD” are for use on Super-E® gold motors.

● = Suitable only for field conversion of motors manufactured with external rabbets on the stator housings.

** = Usable on catalog motors that have footnote #56.

* = Contact a District Office with nameplate specification number to determine correct kit.

Motor Accessories

PT Components

Grinders

Baldor Mod Express

ABB Mod Express

ABB ATEX Mod Express

Product Index

Catalog Number	Description Frame (Baldor Type)	Enclosure	Bearing	List Price	Mult. Sym.	Ap'x. Shpg. Wgt.
39-3400	254-6UC, TC (39)	ODP	6309	256	A8	19
39-1403	284-6UC, TC (39)	ODP	6311	411	A8	21
39-1403GLD	284-6UC, TC (39)	ODP	6311	411	A8	21
10-1304	324-6UC, TC (10) ●	TEFC	6312	439	A8	32
10-1304GLD	324-6UC, TC (10) ●	TEFC	6312	439	A8	32
10-1305	284-6UC, TC (10) ●	TEFC	6311	457	A8	32
10-1305ECP8	284-6TC, IEEE-841 (10) ●	TEFC	6311	894	A8	32
10-1305GLD	284-6UC, TC (10) ●	TEFC	6311	457	A8	32
40-1400	284-6UC, TC (40)	ODP	6311	417	A8	30
40-1400GLD	284-6UC, TC (40)	ODP	6311	417	A8	30
40-1401	324-6 UC, TC (40) ●	ODP	6312	427	A8	40
40-1401GLD	324-6 UC, TC (40) ●	ODP	6312	427	A8	40
12-1105	324-6UC, TC (12)	TEFC	6312	563	A8	48
12-1105ECP8	324-6TC, IEEE-841 (12)	TEFC	6312	1,124	A8	48
12-1105GLD	324-6UC, TC (12)	TEFC	6312	563	A8	48
42-1300	324-6UC, TC (42) ●	ODP	6312	750	A8	36
42-1300GLD	324-6UC, TC (42) ●	ODP	6312	750	A8	36
K36G2	364-5UC, TC	TEFC	6313	730	A8	69
K36G801	364-5TC IEEE-841	TEFC	6313	1,298	A8	75
42-1400	364-5UC, TC (42) ●	ODP	6313	730	A8	30
42-1400GLD	364-5UC, TC (42) ●	ODP	6313	730	A8	30
K40G2	404-5UC, TC E-Line Design **	TEFC	6316	1,086	A8	113
K40G71	404-5UC, TC G Series Design **	TEFC	6316 4 & 6 Pole	1,086	A8	120
K40G802	404-5TC G Series design: IEEE-841 **	TEFC	6316 4 & 6 Pole	1,722	A8	120
K40G70	404-5UC, TC G Series Design **	TEFC	6313 2 pole	1,086	A8	120
K40G801	404-5TC G Series design: IEEE-841 **	TEFC	6313 2 pole	1,722	A8	120
44-1402	404-5UC, TC (44)	ODP	6316	844	A8	40
44-1402GLD	404-5UC, TC (44)	ODP	6316	844	A8	40
44-1403	404-5UC, TSC (44)	ODP	6313	844	A8	40
44-1403GLD	404-5UC, TSC (44)	ODP	6313	844	A8	40
44-1403A	404-5USC, TSC (44)	OPEN	6312	844	A8	40
44-1403A-GLD	404-5USC, TSC (44)	OPEN	6312	844	A8	40
K44G50	444-5UC, TC E-Line design *	TEFC	6318, 4 & 6 pole	1,665	A8	249
K44G51	447-9UC, TC E-Line design *	TEFC	6318, 4 & 6 pole	1,665	A8	251
K44G70	444-9UC, TC G Series design	TEFC	6313, 2 pole,	1,665	A8	250
K44G801	444-9UC, TC G Series design: IEEE-841	TEFC	6313, 2 pole,	2,448	A8	250
K44G71	444-9UC, TC G Series design	TEFC	6318, 4 & 6 pole	1,665	A8	250
K44G802	444-9UC, TC G Series design: IEEE-841	TEFC	6318, 4 & 6 pole	2,448	A8	250

NOTE: Specification number of motor should be verified when ordering.

Kits that have catalog numbers ending in "GLD" are for use on Super-E® gold motors.

● = Suitable only for field conversion of motors manufactured with external rabbets on the stator housings.

** = Usable on catalog motors that have footnote #56.

* = Contact a District Office with nameplate specification number to determine correct kit.

Motor
Accessories

PT Components

Grinders

Baldor
Mod Express

ABB
Mod Express

ABB ATEX
Mod Express

Product
Index

**C-Face Kits
for Field Conversion
NEMA DC SCR Drive Motor**

Features: For non-laminated frame DC motors with catalog numbers ending in "P". These complete kits are for motors on pages 252-254.



Catalog Number	Frame	Bearing	Enclosure	List Price	Mult. Sym.	Ap'x Shpg. Wgt.
180-5002	180ATC	6206	Drip-Proof	903	P1	18
210-5001	210ATC	6207	Drip Proof or Totally Enclosed	783	P1	12
250-5001	250ATC	6209	Drip Proof of Totally Enclosed	1,668	P1	75
280-5002	280ATC	6210	Drip Proof	2,210	P1	57
320-5002	320ATC	6211	Drip Proof	3,080	P1	87
360-5001	360ATC	6213	Drip Proof or Totally Enclosed	4,725	P1	121
400-5001	400ATC	6214	Drip Proof or Totally Enclosed	5,722	P1	173

**Double C-Face Motor
Brake Kits**

Coil Voltage: 115/208-230

Features: Double C-Face coupler brakes. Mounts on motors with C-Face, provides NEMA C-face mounting on brake. Spring set, electrically released.



Brake Rating	Brake Mounting	Catalog Number	List Price	Mult. Sym.	Ap'x. Shpg. Wgt.
3 ft-lb	56C	CBK003-1	670	A8	12
6 ft-lb	56C	CBK006-1	986	A8	12
6 ft-lb	145TC	CBK006-2	986	A8	12
10 ft-lb	145TC	CBK010-1	1,150	A8	12
15 ft-lb	145TC	CBK015-1	2,457	A8	12

Motor Accessories

PT Components

Grinders

Baldor Mod Express

ABB Mod Express

ABB ATEX Mod Express

Product Index

Conduit Box Kits



Frame Size	Catalog Number	List Price	Mult. Sym.	Ap'x Shpg. Wgt. Lbs.
Conduit Box Kit – Standard Size				
42	33CB5000A01SP	37	P1	1
42	33CB5001A01SP	37	P1	1
48	34CB5001A01SP	36	P1	1
56 - 143-5T	35CB5001A01SP	39	P1	1
182T-4T	36CB5001A01SP	42	P1	1
182T-4T	36CB5001A06SP	47	P1	2
182T-4T	36CB5001A07SP	70	P1	2
213T-5T	37CB5002A06SP	47	P1	3
213T-5T	37CB5002A07SP	42	P1	4
184T,215T,254-6	09CB5001A01SP	82	P1	3
184T,215T,254-6	09CB5001A15SP	65	P1	3
254-6T,284-6,324-6	10CB5001A01SP	109	P1	6
254-6T,284-6,324-6	10CB5002A01SP	132	P1	4
360T - Cast Iron	K36G8	274	P1	22
400T - Cast Iron	K40G8	300	P1	35
440T - Cast Iron	K44G8	332	P1	55
Conduit Box Kit – Oversize				
360T - Cast Iron	K36G9	300	P1	25
400T - Cast Iron	K40G9	332	P1	30
440T - Cast Iron	K44G9	356	P1	135

Frame Size	Catalog Number	List Price	Mult. Sym.
Auxiliary Conduit Box Kits			
360	K36G16	313	P1
400	K40G3	332	P1
440	K44G5	709	P1

D-Flange Kits



Complete kit with hardware necessary for converting either Foot Mount or C-Face 143T thru 326T motors to D-Flange mounting. Please note that using these kits to modify the 143T thru 184T foot mounted motors will result in a non-standard NEMA BA dimension. Modified C-Face motors will have standard BA dimensions. Please furnish the motor specification number when ordering.

NEMA Frame	Enclosure	Catalog Number	List Price	Mult. Sym.	Ap'x. Shpg. Weight Lbs.
143-145T (1)	TEFC	35EP1506A01SP	215	A8	8
182-184T (2)	TEFC	36EP1304A62SP	236	A8	15
286-286 U,T	TEFC	10EP1502A01SP	581	A8	39
324-326 U,T	TEFC	12EP1501A03SP	1,003	A8	50

NOTES: (1) 143T-145T foot mount motor modified with kit 35EP1506A01SP will have Non-standard NEMA BA dimension of 2.25".

(2) 182T-184T foot mount motor modified with kit 36EP1304A62SP will have Non-standard NEMA BA dimension of 2.75".

Drain Fitting Kit



TEFC Motors 48 – 215T

Applications: Increase General Purpose IP44 enclosures to IP54 protection level by installing drain plugs in motor weep hole drains.

Features: Kit consists of quantity (2) plastic push in drain fittings and instructions for proper installation. Can be installed in steel band and cast iron frame motors.

Catalog Number	List Price	Mult. Sym.	Ap'x. Shpg. Wgt. Lbs.
HA5027A03	5	A8	1

Drip Covers for Field Conversion



Standard ODP Motors to Vertical Mount

Features: Complete kits with all hardware, attaches to endplate with no drilling. Designed to protect open steel band motors from rain, snow and ice when mounted outdoors in a vertical position. Made from heavy steel. Primed and painted inside and out. For a Baldor conversion, refer to the Mod Express Section in this catalog.

Catalog Number	Frame	List Price	Mult. Sym.	Ap'x. Shpg. Wgt.
FCD34	48-56, Type 34	94	A8	1
FCD35	56-145T, Type 35	132	A8	1
FCD36	182T-184T, Type 36	115	A8	2
FCD37	213T-256T, Type 37	139	A8	3
FCD39	254T-256T, Type 39	186	A8	3
FCD40	284-286, Type 40	199	A8	12
FCD42	324-326, Type 42	213	A8	5

Cast Iron Fan Cover for Field Conversion



Standard TEFC Cast Iron Motors

Applications: For cast iron construction.

Features: Complete kits consists of cast iron fan covers and all necessary mounting hardware. These kits replace the standard steel fan cover when used. For a Baldor conversion, refer to the Mod Express Section in this catalog.

Catalog Number	Description	List Price	Mult. Sym.	Ap'x. Shpg. Wgt.
FFC05	05/143-5T	186	A8	6
FFC06	06/182-4T	199	A8	10
K18G8**	06/182-4T E Line	199	A8	10
K18G9**	07/213-5T E Line	212	A8	15
FFC09	09/254-6U & T	221	A8	20
K18G10**	09/254-6T E Line	229	A8	20
K18G11**	10/324-6T E Line	237	A8	25
K18G12**	12/364-5T E Line	268	A8	35
FFC18**	404-5T E Line	289	A8	90
FFC19**	444-9T E Line	352	A8	120

NOTE: ** Contact District Office with nameplate specification number to determine correct kit. Not available on 280 frame due to replacement of bearing, endplate, and mounting configuration.

SHADED RATINGS ARE CAST IRON FRAMES

Cast Iron Fan Cover and Conduit Boxes for Field Conversion



Standard TEFC Cast Iron Motors

Applications: For all Cast Iron construction.

Features: Complete kits consists of cast iron fan covers and cast iron conduit boxes when necessary. The kits also include all necessary mounting hardware. These kits replace the standard steel fan cover and aluminum conduit box when used. For a Baldor conversion, refer to the Mod Express Section in this catalog.

Catalog Number	Description	List Price	Mult. Sym.	Ap'x. Shpg. Wgt.
FFC07WB	07/213-5T	295	A8	19
FFC09WB	09/254-6U & T	405	A8	28
360T	K36G50	1,285	P1	123
360T	K36G18	1,285	P1	123

NOTE: NOT FOR USE ON EXPLOSION PROOF MOTORS.

SHADED RATINGS ARE CAST IRON FRAMES

Gear Motor Accessories
Conduit Box Kit



Baldor 24 Frame stock gearmotors are designed to accommodate this optional conduit/capacitor box.

Motor Types	Kit Description	Catalog Number	List Price	Mult. Sym.	Ap'x. Shpg. Wgt.
2412, 2416, 2420, 2424	Combination Conduit/Capacitor Mounting Box Kit	BKP2400	60	A8	1

PSM Mounting Adapters



B92 is formed steel mounting base that bolts to machined surface on bottom of PSM gear box casting. Provides secure foot mounting of gear motor and drop-in interchangeability with other major manufacturers.

B93 is a three point face mounting adapter. Provides interchangeability with other manufacturers.

Catalog Number	Description	List Price	Mult. Sym.	Ap'x. Shpg. Wgt.
B92	Foot Mount	49	A8	1
B93	3 Point Face Mount	62	A8	1
B94	B Box Mounting Base Kit	84	A8	1

“L” Type Mounting Brackets



Applications: Mounting bracket for PSSH and PSL gearmotors. Securely mounts to gear face in 90 degree locations for floor, wall or ceiling mount. Bracket LB74 is not recommended for PSL/PSLH units weighing over 20 lbs. For units weighing more than 20 lbs. use LB75.

Catalog Number	Description	List Price	Mult. Sym.	Color	Ap'x. Shpg. Wgt.
LB73	PSSH	49	A8	Black	2
LB74	PSL	69	A8	Black	2
LB75	PSL/PSLH	96	A8	Black	7
LB73GR	PSSH	49	A8	Baldor Grey	2
LB74GR	PSL/PSLH	69	A8	Baldor Grey	2
LB75GR	PSL	96	A8	Baldor Grey	7

H Gearbox Accessories



Baldor offers optional base and shaft kits for H style gearmotors. Adding a base and shaft kit allows them to be used in applications requiring a rightangle shaft extension. The shaft can be used for either right or left hand output applications.

Catalog Number	Description	List Price	Mult. Sym.	Ap'x. Shpg. Wgt.
B19H71	Horiz Base Kit	82	A8	1
SH10HS	Output Shaft Kit	26	A8	2
TA05HK	Torque Arm Kit	88	A8	2

Motors and Gearmotors UL, cUL and CSA Approvals



Product Type	CSA LR2262	UL E46145	CUL E46145
AC	Motor Models and Frames 24, 25, 33	Motor Models and Frames 24, 25, 33	
DC	Motor Models and Frames 73, 74: 90V Ratings Only Motor Models and Frames 25, 33: Not Restricted to 90 Volts	Motor Models and Frames 23, 25, 33, 73, 74, 125, 135	Motor Model and Frames 23, 125, 135

Motor Accessories

PT Components

Grinders

Baldor Mod Express

ABB Mod Express

ABB ATEX Mod Express

Product Index

Adjustable Motor Bases

These motor bases simplify mounting and belt tension adjustment at installation and during later maintenance checks. These are heavy duty adjustable motor bases manufactured of steel or plate. All bases are detergent washed, painted with dark gray primer and oven baked for corrosion resistance. The nuts and bolts are zinc plated. NEMA 215T and smaller bases feature one adjusting screw. Bases for NEMA 254T frame and larger motors feature two adjusting screws. Motor mounting bolts are included. Bases listed can be used with motor frame numbers given and succeeded by the letters S, T, U, US and TS, or any other letter combinations provided the motors' base meets NEMA standards.

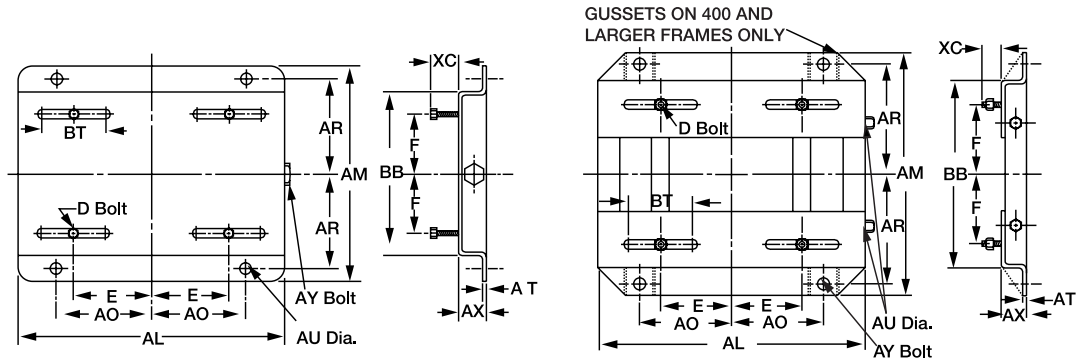


NEMA Frame Motors	Base Catalog Number	List Price	Mult. Sym.	No. of Adjusting Screws	Motor Mounting Bolt Size	Ap'x Shpg. Wgt.
48	B48T	107	A8	1	5/16 x 1	3
56	B56T	107	A8	1	5/16 x 1	5
143T	B143T	137	A8	1	5/16 x 1	6
145T	B145T	137	A8	1	5/16 x 1	7
182T	B182T	145	A8	1	3/8 x 1 1/2	10
184T	B184T	145	A8	1	3/8 x 1 1/2	10
213T	B213T	168	A8	1	3/8 x 1 1/2	14
215T	B215T	168	A8	1	3/8 x 1 1/2	15
254T	B254T	276	A8	2	1/2 x 1 3/4	21
256T	B256T	276	A8	2	1/2 x 1 3/4	21
284T	B284T	314	A8	2	1/2 x 2	24
286T	B286T	314	A8	2	1/2 x 2	24
324T	B324T	485	A8	2	5/8 x 2 1/2	34
326T	B326T	485	A8	2	5/8 x 2 1/2	37
364T	B364T	604	A8	2	5/8 x 2 1/2	48
365T	B365T	604	A8	2	5/8 x 2 1/2	50
404T	B404T	898	A8	2	3/4 x 3	62
405T	B405T	898	A8	2	3/4 x 3	66
444T	B444T	1,097	A8	2	3/4 x 3	70
445T	B445T	1,097	A8	2	3/4 x 3	71
447T	B447T	1,293	A8	2	3/4 x 3 1/2	93
449T	B449T	1,293	A8	2	3/4 x 3 1/2	99
G5008-G5012	B5000RLS (1)	1,948	A8	2	7/8 x 3 1/2	149

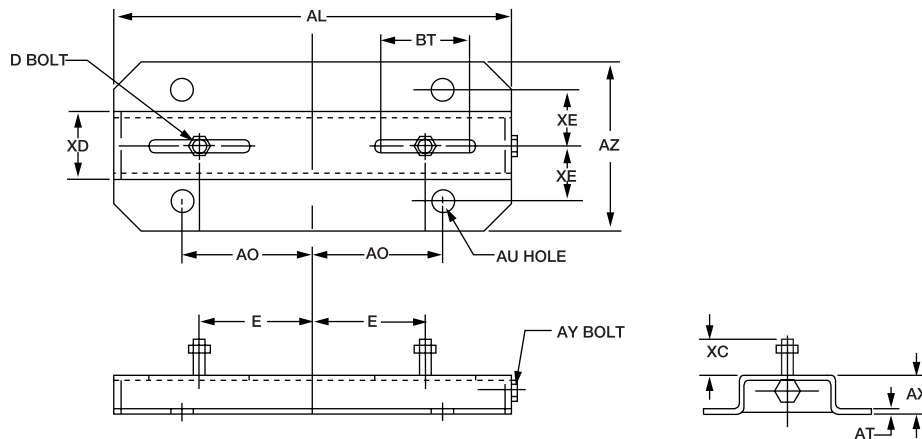
NOTE: Bases not suitable for vertical mounting. See base dimensions on next page.

(1) One adjustable motor rail.

Adjustable Motor Bases Dimension Diagrams



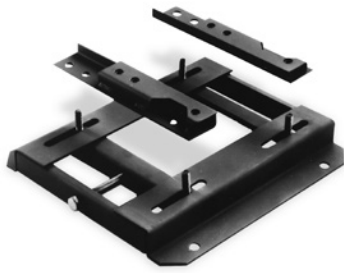
NEMA Frame	Catalog Number	E	F	AL	AM	AO	AR	AT	AU	AX	BB	BT	XC	D Bolt	AY Bolt
48	B48T	2.125	1.375	10.00	6.25	3.50	2.75	0.078	0.375	1.125	4.25	3.00	0.875	5/16 x 1	3/8 x 4
56	B56T	2.437	1.50	10.625	6.50	3.812	2.875				4.50				
143	B143T	2.75	2.00	10.50	7.50	3.75	3.375	0.109	0.375	1.125	5.50	3.00	0.812	5/16 x 1	3/8 x 4
145	B145T		2.50		8.50		3.875				6.50				
182	B182T	3.75	2.25	12.75	9.50	4.50	4.25	0.140	0.50	1.50	6.50	3.00	1.50	3/8 x 1-3/4	1/2 x 5
184	B184T		2.75		10.50		4.75				7.50				
213	B213T	4.25	2.75	15.00	11.00	5.25	4.75	0.156	0.50	1.75	7.50	3.50	1.50	3/8 x 1-3/4	1/2 x 5
215	B215T		3.50		12.50		5.50				9.00				
254	B254T	5.00	4.125	17.75	15.125	6.25	6.625	0.187	0.625	2.00	10.75	4.00	1.437	1/2 x 1-3/4	5/8 x 6
256	B256T		5.00		16.875		7.50				12.50				
284	B284T	5.50	4.75	19.75	16.875	7.00	7.50	0.187	0.625	2.00	12.514	4.50	1.687	1/2 x 2	5/8 x 6
286	B286T		5.50		18.375		8.25								
324	B324T	5.25	5.256	22.75	19.25	8.00	8.50	0.187	0.75	2.50	14.00	5.25	2.187	5/8 x 2-1/2	3/4 x 9
326	B326T		6.00		20.75		9.25				15.50				
364	B364T	7.00	5.625	25.50	20.50	9.00	9.125	0.25	0.75	2.50	15.50	6.00	2.062	5/8 x 2-1/2	3/4 x 9
365	B365T		6.625		21.50		9.625				16.50				
404	B404T	8.00	6.125	28.75	22.375	10.00	9.875	0.25	0.875	3.00	16.50	7.00	2.50	3/4 x 3	3/4 x 11
405	B405T		6.387		23.875		10.625				18.00				
444	B444T	9.00	7.25	31.25	24.625	11.00	11.00	0.25	0.875	3.00	19.25	7.50	2.50	3/4 x 3	3/4 x 11
445	B445T		8.25		26.625		12.00				21.25				
447	B447T	9.00	10.00	31.25	30.125	11.00	13.75	0.312	1.125	3.00	24.75	7.50	3.00	3/4 x 3-1/2	3/4 x 14
449	B449T		12.50		35.125		16.25				29.75				3/4 x 11



NEMA Frame	Catalog Number	E	AL	AO	AL	AU	AX	AZ	BT	XC	XO	XE	D Bolt	AY Bolt
G5000	B5000RLS	10.00	35.00	12.50	0.312	1.00	3.50	12.00	8.00	3.00	6.00	4.50	7/8 x 3-1/2	7/8 x 16

DIMENSIONS ARE FOR REFERENCE ONLY, CONSULT A BALDOR DISTRICT OFFICE FOR CERTIFIED DIMENSIONS

Conversion Bases

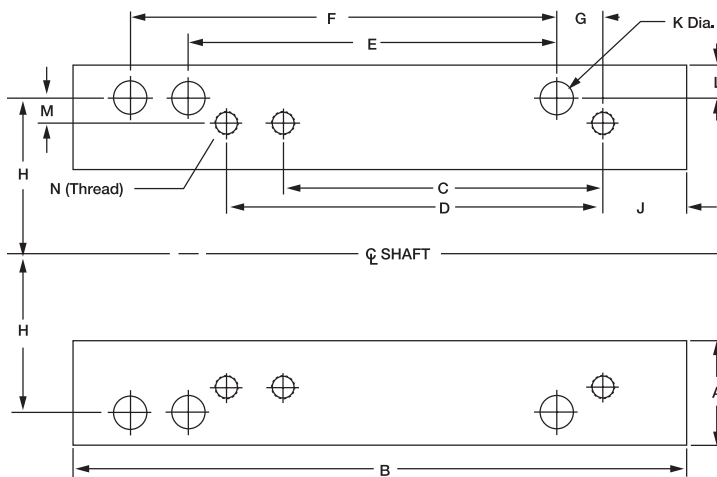


These Conversion Bases are designed to allow NEMA "T" frame motors to be used where corresponding NEMA "U" frame motors have been applied. Consisting of right and left hand pieces that fit to existing mounting studs positioned for "U" frame motors. The "T" frame motor is mounted to the pieces resulting in compensation for the difference in motor height, shaft position and mounting hole between the previous "U" frame motor and the replacement "T" frame motor. Made of the same top quality material as the adjustable motor bases.

Catalog Number	Converts From "U" Frame	Converts To "T" Frame	List Price	Mult. Sym.	Ap'x Shpg. Wgt.	Height Inches	Width Inches	Length Inches	Thread
CB1814T	182/184	143T/145T	115	A8	2	1	2 1/4	7 1/2	5/16-18
CB2118T	213/215	182T/184T	162	A8	2	3/4	1 3/4	9 1/2	3/8-16
CB2521T	254U/256U	213T/215T	186	A8	6	1	2 7/16	12 3/4	3/8-16
CB2825T	284U/286U	254T/256T	251	A8	7	3/4	2 3/4	14 1/4	1/2-13
CB3228T	324U/326U	284T/286T	346	A8	9	1	3 1/4	15 3/4	1/2-13
CB3632T	364U/365U	324T/326T	426	A8	12	1	3 11/16	16 1/2	5/8-11
CB4036T	404U/405U	364T/365T	584	A8	20	1	4 1/4	18 5/8	5/8-11

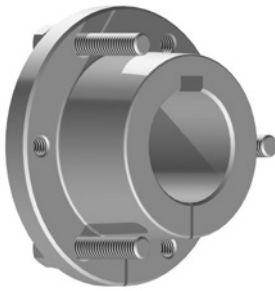
NOTE: Dimensions are for one piece. Two pieces supplied. Design is for horizontal mounting. Motor shimming may be required for direct drive applications.

Conversion Bases Dimension Diagrams



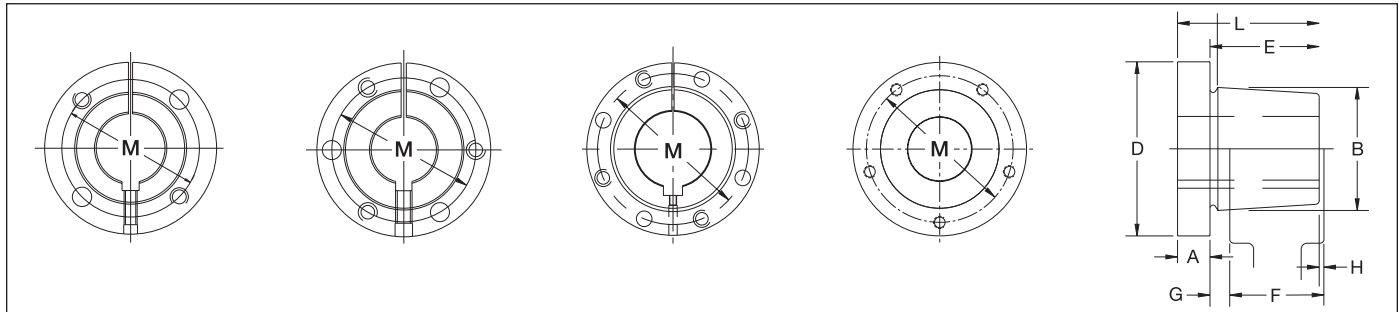
Catalog Number	Converts From	Converts To	A	B	Height	C	D	E	F	G	H	J	K	L	M	N(Thread)
CB1814T	182-184	143T-145T	2.25	7.50	1.00	4.00	5.00	4.50	5.50	0.50	3.75	1.00	0.437	0.50	1.0	5/16-18
CB2118T	213-215	182T-184T	1.75	8.50	0.75	4.50	5.50	5.50	7.00	1.00	4.25	1.00	0.437	0.437	0.5	3/8-16
CB2521T	254U-256U	213T-215T	2.437	12.75	1.00	5.50	7.00	8.25	10.00	1.125	5.00	1.00	0.562	0.625	0.75	3/8-16
CB2825T	284U-286U	254T-256T	2.75	14.25	0.75	8.25	10.00	9.50	11.00	1.375	5.50	1.25	0.562	0.937	0.5	1/2-13
CB3228T	324U-326U	284T-286T	3.25	15.75	1.00	9.50	11.00	10.50	12.00	1.50	6.25	1.50	0.687	0.937	0.75	1/2-13
CB3632T	364U-365U	324T-326T	3.687	16.50	1.00	10.50	12.00	11.25	12.25	1.75	7.00	1.75	0.687	1.187	0.75	5/8-11
CB4036T	404U-405U	364T-365T	4.25	18.625	1.00	11.25	12.25	12.25	13.75	2.00	8.00	2.00	0.812	1.25	1.0	5/8-11

QD Bushing



Features: All Bushings up to sizes M, and those with a shallow keyseat, are manufactured in DUCTILE iron, a stronger material offering numerous advantages. All sizes have a set screw over the keyway to secure the key, which is advantageous in vertical applications. 100% interchangeable with licensed manufacturer's products. Available in inches & metric sizes. Available "Short" for weld-on hubs. Full, not partial split.

How to order: Example: SFX1-1/16; SF=Bushing Size. X 1-1/16=Bore Size (1-1/16") Inch bore sizes are designated with the whole inch followed by the fraction. For example, a 1.5" diameter bore would be 1-1/2. Metric bore sizes are designated with "MM" after the metric dimension (X 25MM).



Bushing "L"
("H" - Cross Reference)

Bushing
"JA to J" Inclusive

Bushing "M to W"
Inclusive

Bushing "S"

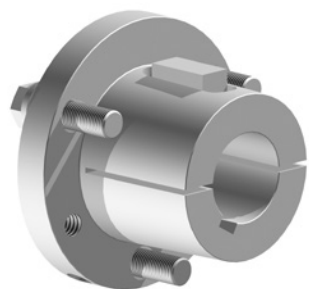
Taper 3/4" per FT
on Diameter - B -

Dimensions

Bushing Size	List Price	Mult. Sym.	Dimensions - Inches									Cap Screws Required NC Grade 5	Set Screw Dimensions	Bore Range		Approx. Wt. (lbs)
			A	B	D	E	F	G	H	L	M			Min.	Max.	
L	9.00	QDB20	11/32	1-5/8	2-1/2	1	29/32	3/16	3/32	1 11/32	2	2=1/4X7/8	10-24 UNC x 1/4"	3/8	1-1/2	0.7
JA	10.90	QDB01	5/16	1-3/8	2	11/16	5/8	13/64	9/64	1	1-21/32	3=10-24X1	10-24 UNC x 1/4"	1/2	1-1/4	0.4
SH	14.90	QDB01	3/8	1-7/8	2-11/16	7/8	3/4	1/4	1/8	1-1/4	2-1/4	3=1/4X1-3/8	1/4-20 UNC x 1/4"	1/2	1-11/16	0.9
SDS	17.30	QDB01	7/16	2-3/16	3-3/16	7/8	3/4	1/4	1/8	1-5/16	2-11/16	3=1/4X1-3/8	1/4-20 UNC x 1/4"	1/2	2	1.3
SD	20.80	QDB01	7/16	2-3/16	3-3/16	1-3/8	1-1/4	1/4	1/8	1-13/16	2-11/16	3=1/4X1-7/8	1/4-20 UNC x 1/4"	1/2	2	1.6
SK	26.80	QDB01	1/2	2-13/16	3-7/8	1-3/8	1-1/4	5/16	3/16	1-7/8	3-5/16	3=5/16X2	1/4-20 UNC x 1/4"	1/2	2-5/8	2.7
SF	33.00	QDB01	1/2	3-1/8	4-5/8	1-1/2	1-1/4	5/16	1/16	2	3-7/8	3=3/8X2	5/16-18 UNC x 3/8"	1/2	2-15/16	3.9
E	69.20	QDB01	3/4	3-27/32	6	1-7/8	1-5/8	5/16	1/16	2-5/8	5	3=1/2X2-3/4	3/8-16 UNC x 3/8"	7/8	3-1/2	8.5
F	128.00	QDB01	13/16	4-7/16	6-5/8	2-13/16	2-1/2	13/32	3/32	3-5/8	5-5/8	3=9/16X3-5/8	3/8-16 UNC x 3/8"	1	4	13.3
J	160.00	QDB01	1	5-5/32	7-1/4	3-1/2	3-3/16	13/32	3/32	4-1/2	6-1/4	3=5/8X4 1/2	3/8-16 UNC x 3/8"	1-7/16	4-1/2	20.8
M	320.00	QDB01	1-1/4	6-1/2	9-1/8	5-1/2	5-3/16	13/32	3/32	6-3/4	7-7/8	4=3/4X7	3/8-16 UNC x 1/2"	2	5-1/2	48.5
N	560.00	QDB03	1-1/2	7	10	6-5/8	6-1/4	9/16	3/16	8-1/8	8-1/2	4=7/8X8	1/2-13 UNC x 5/8"	2-3/4	6	62.1
P	840.00	QDB03	1-3/4	8-1/4	11-3/4	7-5/8	7-1/4	5/8	1/4	9-3/8	10	4=1X9-1/2	5/8-11 UNC x 1-1/4"	2-15/16	7	108.8
W	1480.00	QDB03	2	10-7/16	15	9-3/8	9	5/8	1/4	11-3/8	12-3/4	4=1-1/8X11-1/2	1-8 UNC x 1-1/2"	4-1/4	8-1/2	218.9
S	3480.00	QDB03	3-1/4	12-1/8	17-3/4	12-1/2	12	13/16	5/16	15-3/4	15	5=1-1/4X15-1/2	1-1/4-7 UNC x 2"	5-1/2	10	382.0
SX5**	3132.00	QDB03	3-1/4	12-1/8	17-3/4	12-1/2	12	13/16	5/16	15-3/4	15	5=1-1/4X15-1/2	1-1/4-7 UNC x 2"	-	-	382.0
SX7-1/2**	3132.00	QDB03	3-1/4	12-1/8	17-3/4	12-1/2	12	13/16	5/16	15-3/4	15	5=1-1/4X15-1/2	1-1/4-7 UNC x 2"	-	-	382.0
Z	On request	QDB03	2-5/8	16	22	9 3/8	9	3/4	3/8	12	19	5=1-1/4X12	1-8 UNC x 1-1/2"	7	12	435.0

** RB = Rough bore
Note: Standard millimeter bores also available.
Note: Approx. weight in lbs. for an average size bore.

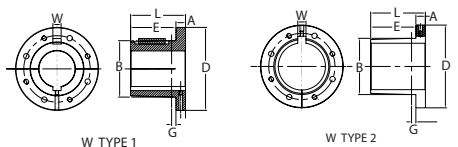
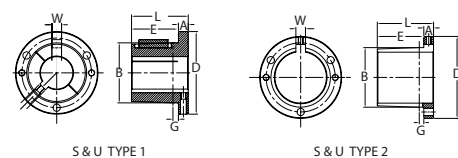
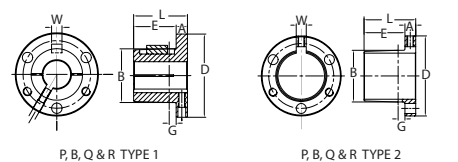
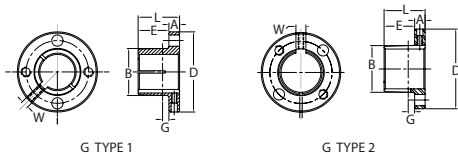
BK² Bushing



Note L Bushing replacement of the **H bushing** from Browning. See L Bushing drawing on page 339.

Features: Keyed on shaft and hub to reduce shock on the cap screws. Mostly used for applications with frequent stop and start or reverse needs. The taper on all BK² Bushings is 3/4" per foot on diameter. Type X 1 manufactured in cast or ductile iron, type 2 manufactured in ductile iron only. 100% interchangeable with licensed manufacturer's products. BK² Bushing is the most preferred style for fan blades assembly. Helps during blind installation.

How to order: Example: P1X1-7/16; P1=Bushing size. 1-1/16=Bore size (1-1/16"). Inch bore sizes are designated with the whole inch followed by the fraction. For example, a 1.5" diameter bore would be 1-1/2".



Type 1



Type 2

Part #	List Price	Mult. Sym.	Dimensions - Inches								Bore range		Cap Screws		Av. Wt. Lbs.	Wrench torque (In-Lbs.)	
			L	A	E	B		D	M	W	G	Type 1	Type 2	No.			Size
						Large End	Small End										
G	10.30	STB29	1	1/4	3/4	1.172	1.133	2	1-9/16	-	3/16	3/8 • 15/16	1	2	1/4-20 UNC X 5/8	.5	95
L	9.00	QDB20	1-11/32	11/32	1	1.625	1.570	2-1/2	2	-	3/16	3/8 • 1-3/8	1-7/16 • 1-1/2	2	1/4-20 UNC X 7/8	.8	95
P1	17.90	STB29	1-15/16	13/32	1-17/32	1.9375	1.8555	3	2-7/16	3/8	7/32	1/2 • 1-7/16	1-1/2 • 1-3/4	3	5/16-18 UNC X 1	1.3	192
P2	19.60	STB29	2-15/16	13/32	2-17/32	1.9375	1.7930	3	2-7/16	3/8	7/32	3/4 • 1-7/16	1-1/2 • 1-3/4	3	5/16-18 UNC X 1	1.5	192
B	17.90	STB29	1-15/16	1/2	1-7/16	2.625	2.5567	3-11/16	3-1/8	1/2	7/32	1/2 • 1-15/16	2 • 2-7/16	3	5/16-18 UNC X 1-1/4	1.8	192
Q1	35.20	STB29	2-1/2	17/32	1-31/32	2.875	2.7657	4-1/8	3-3/8	1/2	7/32	5/8 • 2-1/16	2-1/8 • 2-11/16	3	3/8-16 UNC X 1-1/4	3.5	348
Q2	38.50	STB29	3-1/2	17/32	2-31/32	2.875	2.7032	4-1/8	3-3/8	1/2	7/32	1 • 2-1/16	2-1/8 • 2-5/8	3	3/8-16 UNC X 1-1/4	4.5	348
R1	87.00	STB29	2-7/8	5/8	2-1/4	4.000	3.8750	5-3/8	4-5/8	3/4	1/4	1-1/8 • 2-13/16	2-7/8 • 3-3/4	3	3/8-16 UNC X 1-3/4	7.5	348
R2	98.00	STB29	4-7/8	5/8	4-1/4	4.000	3.7500	5-3/8	4-5/8	3/4	1/4	1-3/8 • 2-13/16	2-7/8 • 3-5/8	3	3/8-16 UNC X 1-3/4	11	348
S1	173.00	STB29	4-3/8	3/4	3-5/8	4.625	4.4180	6-3/8	5-3/8	3/4	5/16	1-11/16 • 3-3/16	3-1/4 • 4-1/4	3	1/2-13 UNC X 2-1/4	13.5	840
S2	217.00	STB29	6-3/4	3/4	6	4.625	4.2696	6-3/8	5-3/8	3/4	5/16	1-7/8 • 3-3/16	3-1/4 • 4-3/16	3	1/2-13 UNC X 2-1/4	19	840
U0*	379.00	STB29	5-1/4	1-1/16	4-3/16	6.000	5.7656	8-3/8	7	1-1/4	7/16	2-3/8 • 3-3/16	-	3	5/8-11 UNC X 2-3/4	30	1680
U0*	379.00	STB29	4-15/16	3/4	4-3/16	6.000	5.7656	8-3/8	7	1-1/4	7/16	3-1/4 • 4-1/4	4-3/8 • 5-1/2	3	5/8-11 UNC X 2-3/4	27	1680
U1*	650.00	STB29	7-1/8	1-1/16	6-1/16	6.000	5.6485	8-3/8	7	1-1/4	7/16	2-3/8 • 4-1/4	4-3/8 • 5-1/2	3	5/8-11 UNC X 2-3/4	40	1680
W1*	1518.00	STB29	8-1/4	1-7/16	6-13/16	8.500	8.1016	12-1/2	10	1-1/4	7/16	3-3/8 • 6-3/16	6-1/4 • 7-7/16	4	3/4-10 UNC X 3	104	3000

Note L Bushing replacement of the **H bushing** from Browning

* Please contact Baldor for lead time and availability

For more details and additional products, see complete Baldor•Maska® Product Catalog or www.baldor.com

BK² BUSHINGS STANDARD STOCK BORES (INCHES)

Part Number	Keyseat	Weight
U1X4-3/8	1 X 1/2	29.6
U1X4-7/16	1 X 1/2	28.8
U1X4-1/2	1 X 1/2	28.0
U1X4-5/8	1-1/4 X 5/8	26.3
U1X4-11/16	1-1/4 X 5/8	25.5
U1X4-3/4	1-1/4 X 5/8	24.6
U1X4-7/8	1-1/4 X 5/8	22.8
U1* U1X4-15/16	1-1/4 X 5/8	22.0
U1X5	1-1/4 X 5/8	21.0
U1X5-1/8	1-1/4 X 5/8	19.2
U1X5-3/16	1-1/4 X 5/8	18.3
U1X5-1/4	1-1/4 X 5/8	17.3
U1X5-3/8	1-1/4 X 5/8	15.4
U1X5-7/16	1-1/4 X 5/8	14.4
U1X5-1/2	1-1/4 X 5/8	13.4
W1X3-3/8	1-1/4 X 5/8	123.1
W1X3-7/16	1-1/4 X 5/8	122.4
W1X3-1/2	1-1/4 X 5/8	121.6
W1X3-5/8	1-1/4 X 5/8	120.1
W1X3-11/16	1-1/4 X 5/8	119.4
W1X3-3/4	1-1/4 X 5/8	118.6
W1X3-7/8	1 X 1/2	117.0
W1X3-15/16	1 X 1/2	116.2
W1X4	1 X 1/2	115.3
W1X4-1/8	1 X 1/2	113.6
W1X4-3/16	1 X 1/2	112.7
W1X4-1/4	1 X 1/2	111.8
W1X4-3/8	1 X 1/2	110.0
W1X4-7/16	1 X 1/2	109.1
W1X4-1/2	1 X 1/2	108.2
W1X4-5/8	1-1/4 X 5/8	106.2
W1X4-3/4	1-1/4 X 5/8	104.3
W1X4-7/8	1-1/4 X 5/8	102.2
W1X4-15/16	1-1/4 X 5/8	100.0
W1X5	1-1/4 X 5/8	98.0
W1X5-1/8	1-1/4 X 5/8	98.0
W1X5-3/16	1-1/4 X 5/8	96.9
W1X5-1/4	1-1/4 X 5/8	95.8
W1X5-3/8	1-1/4 X 5/8	93.6
W1* W1X5-7/16	1-1/4 X 5/8	92.5
W1X5-1/2	1-1/4 X 5/8	91.3
W1X5-5/8	1-1/2 x 3/4	89.0
W1X5-3/4	1-1/2 x 3/4	86.6
W1X5-7/8	1-1/2 x 3/4	84.1
W1X5-15/16	1-1/2 x 3/4	82.9
W1X6	1-1/2 x 3/4	81.6
W1X6-1/8	1-1/2 x 3/4	79.1
W1X6-3/16	1-1/2 x 3/4	77.8
W1X6-1/4	1-1/2 x 3/4	76.5
W1X6-3/8	1-1/2 x 3/4	73.8
W1X6-7/16	1-1/2 x 3/4	72.5
W1X6-1/2	1-1/2 x 3/4	71.1
W1X6-5/8	1-3/4 X 3/4	68.3
W1X6-3/4	1-3/4 X 3/4	65.5
W1X6-7/8	1-3/4 X 3/4	62.6
W1X6-15/16	1-3/4 X 3/4	61.2
W1X7	1-3/4 X 3/4	59.7
W1X7-1/8	1-3/4 X 3/4	56.8
W1X7-3/16	1-3/4 X 3/4	55.2
W1X7-1/4	1-3/4 X 3/4	53.7
W1X7-3/8	1-3/4 X 3/4	50.6
W1X7-7/16	1-3/4 X 3/4	49.1

* Please contact Baldor for lead time and availability

Motor
Accessories

PT Components

Grinders

Baldor
Mod Express

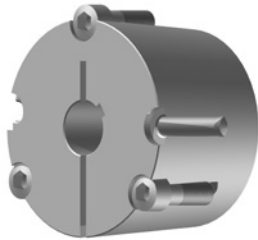
ABB
Mod Express

ABB ATEX
Mod Express

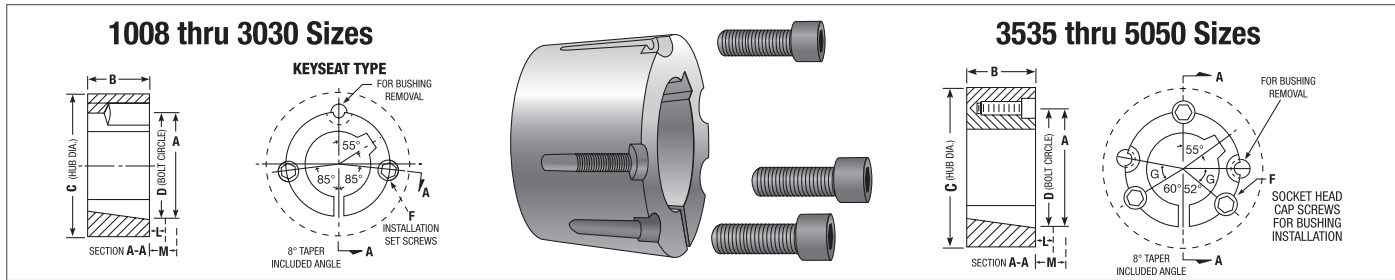
Product
Index

Taper-Lock Bushings

Features: Available in inches & millimeter bores. Flush mounting. Sizes 1008-5050.



How to order: Example: 2012X1-3/8; 2012 = Bushing Size. The Taper-Lock bushing size is defined by 4 digits representing two numbers. The first two digits represent the maximum bore size and the second two digits represent the bushing length. For example, product number 1008 has a max. bore of 1.0" and a total length of 0.8" X 1-3/8" = Bore Size (1-3/8"). Inch bore sizes are designated with the whole inch followed by the fraction. For example, a 1.5" diameter bore would be 1-1/2. Metric bore sizes are designated with "MM" after the metric dimension (X 25MM).



Dimensions for 1008 thru 5050

Bushing Size	List Price	Mult. Sym.	Rating • Torque Capacity (lb - in.)	Hub Diam. Ref.				Installation Screw +		L *		M *		Bore Range		Approx. Wt. (lbs)	
				A	B	C	D	Qty	Size	G	Std Hex Key	Short Key €	Std Hex Key	Short Key €	Min.		Max.
1008	11.60	TLB23	1,200	1-3/8	7/8	2-3/16	1-21/64	2	1/4 x 1/2	1-1/8	5/8	1-1/4	3/4	0.2	1	0.2	
1108	12.00	TLB23	1,300	1-1/2	7/8	2-5/16	1-29/64	2	1/4 x 1/2	1-1/8	5/8	1-1/4	3/4	0.2	1-1/8	0.2	
1210	12.80	TLB23	3,600	1-7/8	1	3-1/4	1-3/4	2	3/8 x 5/8	1-3/8	13/16	1-5/8	1-1/16	0.5	1-1/4	0.5	
1215	14.00	TLB23	3,550	1-7/8	1-1/2	2-7/8	1-3/4	2	3/8 x 5/8	1-3/8	13/16	1-5/8	1-1/16	0.3	1-1/4	0.3	
1310	14.40	TLB23	3,850	2	1	3-3/8	1-7/8	2	3/8 x 5/8	1-3/8	13/16	1-5/8	1-1/16	0.6	1-7/16	0.6	
1610	14.80	TLB23	4,300	2-1/4	1	3-5/8	2-1/8	2	3/8 x 5/8	1-3/8	13/16	1-5/8	1-1/16	0.7	1-11/16	0.7	
1615	15.40	TLB23	4,300	2-1/4	1-1/2	3-1/4	2-1/8	2	3/8 x 5/8	1-3/8	1-3/16	1-5/8	1-11/16	1.0	1-11/16	1.0	
2012	20.00	TLB23	7,150	2-3/4	1-1/4	4-3/8	2-5/8	2	7/16 x 7/8	1-9/16	15/16	2	1-3/8	1.4	2-1/8	1.4	
2517	24.60	TLB23	11,600	3-3/8	1-3/4	4-7/8	3-1/4	2	1/2 x 1	1-5/8	1	2-1/4	1-5/8	3.1	2-11/16	3.1	
2525	36.40	TLB23	11,300	3-3/8	2-1/2	4-1/2	3-1/4	2	1/2 x 1	1-5/8	1	2-1/4	1-5/8	3.5	2-1/2	3.5	
3020	37.00	TLB23	24,000	4-1/4	2	6-1/4	4	2	5/8 x 1-1/4	1-13/16	1-3/16	2-11/16	2-1/16	5.0	3-1/4	5.0	
3030	54.00	TLB23	24,000	4-1/4	3	5-3/4	4	2	5/8 x 1-1/4	1-13/16	1-3/16	2-11/16	2-1/16	7.4	3-1/4	7.4	
3535	76.00	TLB23	44,800	5	3-1/2	7	4-27/32	3	1/2 x 1-1/2	39	2	1-5/16	3-3/8	2-11/16	9.8	3-15/16	9.8
4040	122.00	TLB23	77,300	5-3/4	4	8-1/2	5-35/64	3	5/8 x 1-3/4	40	2-3/8	1-5/8	4-1/8	3-3/8	15.4	4-7/16	15.4
4545	152.00	TLB23	110,000	6-3/8	4-1/2	9-1/2	6-1/8	3	3/4 x 2	40	2-5/8	1-15/16	4-3/4	4-1/16	21.0	4-15/16	21.0
5050	246.00	TLB23	126,000	7	5	10-1/2	6-23/32	3	7/8 x 2-1/4	37	2-13/16	2-5/16	5-1/4	4-13/16	29.0	5	29.0

+ Use in position shown in drawing above for tightening bushing on shaft. When loosening bushing, remove screws and use all except one in the other holes.

* Space required to remove bushing using jackscrews - no puller required.

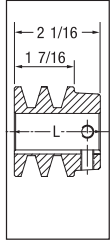
€ Standard hex key cut to minimum useable length.

• Peak torque loads must not exceed torque capacity rating shown. Capacity values shown are for light starting and steady running conditions. For more severe duty, divide torque capacity by service factor referred to in Baldor•Maska® Product Catalog.

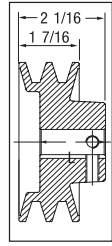
Note: Approx. weight in lbs. for an average size bore.

2MA (A V-BELTS) 2 GROOVES

Part Number	Cross Reference	List Price	Mult. Sym.	D.D. A Belts	O.D.	T	L	Standard Bores	Max. Bore	Approx. Wt. (lbs)
2MA20	2AK20	20.64	LDS04	1.75	2.00	3B	2-1/16	1/2 · 5/8 · 3/4	3/4	1.0
2MA22	2AK21	20.64	LDS04	1.90	2.15	3B	2-1/16	1/2 · 5/8 · 3/4	7/8	1.0
2MA23	2AK22	22.72	LDS04	2.00	2.25	3B	2-1/16	1/2 · 5/8 · 3/4 · 7/8 · 1	1	1.0
2MA24	2AK23	22.72	LDS04	2.10	2.35	4B	1-7/8	1/2 · 5/8 · 3/4 · 7/8 · 1	1-1/8	1.0
2MA25	2AK25	22.88	LDS04	2.30	2.55	4B	1-11/16	1/2 · 5/8 · 3/4 · 7/8 · 1 · 1-1/8	1-1/8	1.5
2MA27	2AK26	25.12	LDS04	2.40	2.65	4B	1-7/8	1/2 · 5/8 · 3/4 · 7/8 · 1 · 1-1/8	1-1/8	1.5
2MA28	2AK27	27.68	LDS04	2.50	2.75	4B	1-11/16	1/2 · 5/8 · 3/4 · 7/8 · 1 · 1-1/8	1-1/8	1.5
2MA29	2AK28	27.68	LDS04	2.60	2.85	4B	1-11/16	1/2 · 5/8 · 3/4 · 7/8 · 1 · 1-1/8	1-1/8	1.5
2MA30	2AK30	30.72	LDS04	2.80	3.05	4B	1-11/16	1/2 · 5/8 · 3/4 · 7/8 · 1 · 1-1/8	1-1/8	2.0
2MA33	2AK32	34.56	LDS04	3.00	3.25	4B	1-5/8	1/2 · 5/8 · 3/4 · 7/8 · 1 · 1-1/8	1-1/8	2.0
2MA35	2AK34	35.68	LDS04	3.20	3.45	4B	1-5/8	1/2 · 5/8 · 3/4 · 7/8 · 1 · 1-1/8	1-1/8	2.5
2MA38	2AK39	36.32	LDS04	3.50	3.75	4B	1-5/8	1/2 · 5/8 · 3/4 · 7/8 · 1 · 1-1/8	1-3/16	3.0
2MA40	2AK41	40.36	LDS04	3.70	3.95	4W	1-9/16	1/2 · 5/8 · 3/4 · 7/8 · 1 · 1-1/8	1-3/16	3.0
2MA43	2AK44	41.60	LDS04	4.00	4.25	4W	1-9/16	1/2 · 5/8 · 3/4 · 7/8 · 1 · 1-1/8	1-3/16	3.0
2MA45	2AK46	43.32	LDS04	4.20	4.45	4W	1-11/16	1/2 · 5/8 · 3/4 · 7/8 · 1 · 1-1/8	1-3/16	4.0
2MA48	2AK49	44.40	LDS04	4.50	4.75	4W	1-9/16	1/2 · 5/8 · 3/4 · 7/8 · 1 · 1-1/8 · 1-3/8	1-3/8	3.5
2MA50	2AK51	45.44	LDS04	4.70	4.95	4W	1-9/16	1/2 · 5/8 · 3/4 · 7/8 · 1 · 1-1/8 · 1-3/8	1-3/16	4.0
2MA53	2AK54	45.92	LDS04	5.00	5.25	4W	1-9/16	5/8 · 3/4 · 7/8 · 1 · 1-1/8 · 1-3/8	1-3/8	4.0
2MA55	2AK56	46.72	LDS04	5.20	5.45	4W	1-9/16	5/8 · 3/4 · 7/8 · 1 · 1-1/8 · 1-3/8	1-3/8	5.0
2MA58	2AK59	50.52	LDS04	5.50	5.75	4W	1-9/16	1/2 · 5/8 · 3/4 · 7/8 · 1 · 1-1/8 · 1-3/16 · 1-3/8	1-3/8	5.0
2MA60	2AK61	52.08	LDS04	5.70	5.95	4W	1-11/16	1/2 · 5/8 · 3/4 · 7/8 · 1 · 1-1/8 · 1-3/8	1-3/8	6.0
2MA63	2AK64	54.48	LDS04	6.00	6.25	4A	1-9/16	5/8 · 3/4 · 7/8 · 1 · 1-1/8 · 1-3/16 · 1-3/8 · 1-7/16	1-11/16	5.5
2MA70	·	60.96	LDS04	6.75	7.00	4A	1-9/16	1/2 · 5/8 · 3/4 · 7/8 · 1 · 1-1/8 · 1-7/16	1-11/16	6.0
2MA73	2AK74	61.96	LDS04	7.00	7.25	4A	1-9/16	3/4 · 7/8 · 1 · 1-1/8 · 1-3/16 · 1-3/8 · 1-7/16	1-11/16	6.0
2MA80	·	66.88	LDS04	7.75	8.00	4A	1-9/16	1/2 · 5/8 · 3/4 · 7/8 · 1 · 1-1/8 · 1-7/16	1-11/16	7.0
2MA83	2AK84	67.88	LDS04	8.00	8.25	4A	1-9/16	3/4 · 7/8 · 15/16 · 1 · 1-1/8 · 1-3/16 · 1-3/8 · 1-7/16	1-7/16	8.0
2MA90	·	72.80	LDS04	8.75	9.00	4A	1-9/16	5/8 · 3/4 · 7/8 · 1 · 1-1/8 · 1-7/16	1-7/16	8.5
2MA93	2AK94	73.80	LDS04	9.00	9.25	4A	1-9/16	3/4 · 7/8 · 1 · 1-1/8 · 1-3/16 · 1-3/8 · 1-7/16	1-11/16	9.0
2MA100	·	78.72	LDS04	9.75	10.00	4A	1-9/16	5/8 · 3/4 · 7/8 · 1 · 1-1/8 · 1-7/16	1-11/16	9.0
2MA103	2AK104	79.32	LDS04	10.00	10.25	4A	1-9/16	3/4 · 7/8 · 15/16 · 1 · 1-1/8 · 1-3/16 · 1-7/16	1-11/16	10.0
2MA110	·	85.08	LDS04	10.75	11.00	4A	1-9/16	3/4 · 7/8 · 1 · 1-1/8 · 1-7/16	1-11/16	10.0
2MA113	2AK114	86.08	LDS04	11.00	11.25	4A	1-9/16	3/4 · 7/8 · 1 · 1-1/8 · 1-3/16 · 1-3/8 · 1-7/16	1-11/16	11.0
2MA120	·	94.28	LDS04	11.75	12.00	4A	1-9/16	5/8 · 3/4 · 7/8 · 1 · 1-1/8 · 1-7/16	1-11/16	11.0
2MA123	2AK124	94.28	LDS04	12.00	12.25	4A	1-19/32	3/4 · 7/8 · 1 · 1-1/8 · 1-3/16 · 1-7/16	1-11/16	12.0
2MA133	2AK134	111.04	LDS04	13.00	13.25	4A	1-19/32	5/8 · 7/8 · 1 · 1-1/8 · 1-3/16 · 1-7/16	1-11/16	14.0
2MA143	2AK144	117.24	LDS04	14.00	14.25	4A	1-9/16	5/8 · 3/4 · 7/8 · 1 · 1-1/8 · 1-3/16 · 1-7/16	1-11/16	15.0
2MA153	2AK154	135.28	LDS04	15.00	15.25	4A	1-9/16	5/8 · 3/4 · 7/8 · 1 · 1-1/8 · 1-3/16 · 1-7/16	1-15/16	17.0
2MA183	2AK184	170.48	LDS04	18.00	18.25	4A	1-17/32	5/8 · 7/8 · 1 · 1-1/8 · 1-3/16 · 1-7/16	1-7/16	19.0



TYPE 3



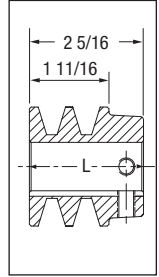
TYPE 4

P.D. for "A" Belts = O.D. Type of sheave "T": A = arms; B = block; W = web

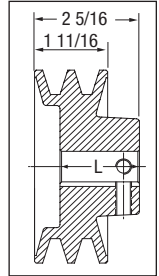
Bore Range	Keyseat
1/2"	None
5/8" - 7/8"	3/16" X 3/32"
15/16" - 1 1/4"	1/4" X 1/8"
1 5/16" - 1 3/8"	5/16" X 5/32"
1 7/16" - 1 3/4"	3/8" X 3/16"

2MB (A & B V-BELTS) 2 GROOVES

Part Number	Cross Ref.	List Price	Mult. Sym.	D.D. A Belts	D.D. B Belts	O.D.	T	L	Standard Bores	Max. Bore	Approx. Wt. (lbs)
2MB20	-	25.42	LDS04	*1.35	1.75	2.00	7B	2-1/8	*1/2 · *5/8 · *3/4 · *7/8	7/8	1.0
2MB23	-	27.22	LDS04	*1.60	2.00	2.25	8B	2-5/16	1/2 · 5/8 · 3/4 · *7/8	7/8	1.0
2MB25	2BK25	29.12	LDS04	*1.90	2.30	2.50	7B	2-5/16	1/2 · 5/8 · 3/4 · 7/8 · *1 · *1-1/8	1-1/8	1.5
2MB28	2BK27	30.08	LDS04	2.10	2.50	2.70	8B	1-15/16	1/2 · 5/8 · 3/4 · 7/8 · 1 · 1-1/8	1-1/8	1.5
2MB30	2BK28	32.36	LDS04	2.20	2.60	2.95	8B	1-15/16	1/2 · 5/8 · 3/4 · 7/8 · 1 · 1-1/8 · 1-3/8	1-1/8	2.0
2MB32	2BK30	34.44	LDS04	2.40	2.80	3.15	8B	1-7/8	1/2 · 5/8 · 3/4 · 7/8 · 1 · 1-1/8	1-1/8	2.0
2MB33	-	36.00	LDS04	2.50	2.90	3.25	8B	1-7/8	1/2 · 5/8 · 3/4 · 7/8 · 1 · 1-1/8	1-1/8	2.0
2MB34	2BK32	36.00	LDS04	2.60	3.00	3.35	8B	1-15/16	1/2 · 5/8 · 3/4 · 7/8 · 1 · 1-1/8	1-1/8	3.0
2MB35	2BK34	37.56	LDS04	2.80	3.20	3.55	8B	1-7/8	1/2 · 5/8 · 3/4 · 7/8 · 1 · 1-1/8	1-1/8	2.5
2MB38	2BK36	38.60	LDS04	3.00	3.40	3.75	8B	1-7/8	1/2 · 3/4 · 7/8 · 1 · 1-1/8 · 1-3/8	1-3/8	3.0
2MB40	2BK40	40.36	LDS04	3.20	3.60	3.95	8B	1-11/16	1/2 · 5/8 · 3/4 · 7/8 · 1 · 1-1/8 · 1-1/4	1-3/16	3.0
2MB43	2BK45	43.48	LDS04	3.50	3.90	4.25	8W	1-13/16	1/2 · 1 · 1-1/8 · 1-3/8	1-3/8	4.0
2MB45	2BK47	43.48	LDS04	3.70	4.10	4.45	8W	1-13/16	1/2 · 5/8 · 3/4 · 7/8 · 1 · 1-1/8	1-1/4	4.0
2MB48	2BK50	46.64	LDS04	4.00	4.40	4.75	8W	1-13/16	1/2 · 5/8 · 3/4 · 7/8 · 1 · 1-1/8	1-1/4	4.0
2MB50	2BK52	47.88	LDS04	4.20	4.60	4.95	8W	1-11/16	1/2 · 5/8 · 3/4 · 7/8 · 1 · 1-1/8	1-1/4	4.5
2MB53	2BK55	50.36	LDS04	4.50	4.90	5.25	8W	1-13/16	1/2 · 5/8 · 3/4 · 7/8 · 1 · 1-1/8 · 1-3/8	1-3/8	5.0
2MB55	2BK57	51.88	LDS04	4.70	5.10	5.45	8W	1-13/16	1/2 · 5/8 · 3/4 · 7/8 · 1 · 1-1/8 · 1-3/8	1-3/8	5.0
2MB58	2BK60	54.12	LDS04	5.00	5.40	5.75	8W	1-13/16	1/2 · 3/4 · 7/8 · 1 · 1-1/8 · 1-3/8	1-3/8	5.0
2MB60	2BK62	55.16	LDS04	5.20	5.60	5.95	8W	1-13/16	5/8 · 3/4 · 7/8 · 1 · 1-1/8 · 1-3/8 · 30MM	1-3/8	6.0
2MB63	2BK65	58.56	LDS04	5.50	5.90	6.25	8A	1-13/16	1/2 · 3/4 · 1 · 1-1/8 · 1-3/8	1-11/16	6.0
2MB65	2BK67	61.88	LDS04	5.70	6.10	6.45	8A	1-11/16	1/2 · 5/8 · 3/4 · 7/8 · 1 · 1-1/8 · 1-3/8 · 40MM	1-11/16	6.0
2MB68	2BK70	68.68	LDS04	6.00	6.40	6.75	8A	1-13/16	1/2 · 5/8 · 3/4 · 7/8 · 1 · 1-1/8 · 1-3/16 · 1-3/8 · 1-7/16 · 30MM · 35MM · 38MM · 40MM	1-11/16	6.0
2MB70	-	68.68	LDS04	6.25	6.65	7.00	8A	1-13/16	1/2 · 5/8 · 3/4 · 7/8 · 1 · 1-1/8 · 1-7/16	1-11/16	6.0
2MB78	2BK80	72.92	LDS04	7.00	7.40	7.75	8A	1-13/16	1/2 · 5/8 · 3/4 · 7/8 · 1 · 1-1/8 · 1-3/16 · 1-1/4 · 1-3/8 · 1-7/16 · 35MM · 40MM	1-11/16	7.0
2MB80	-	72.92	LDS04	7.25	7.65	8.00	8A	1-13/16	1/2 · 5/8 · 3/4 · 7/8 · 1 · 1-1/8 · 1-3/8 · 1-7/16	1-11/16	8.0
2MB88	2BK90	75.40	LDS04	8.00	8.40	8.75	8A	1-13/16	3/4 · 1 · 1-1/8 · 1-3/16 · 1-1/4 · 1-3/8 · 1-7/16	1-11/16	8.0
2MB90	-	75.40	LDS04	8.25	8.65	9.00	8A	1-11/16	5/8 · 3/4 · 7/8 · 1 · 1-1/8 · 1-7/16 · 35MM · 40MM	1-11/16	9.0
2MB98	2BK100	88.68	LDS04	9.00	9.40	9.75	8A	1-13/16	3/4 · 1 · 1-1/8 · 1-3/16 · 1-3/8 · 1-7/16	1-11/16	10.0
2MB100	-	88.68	LDS04	9.25	9.65	10.00	8A	1-13/16	5/8 · 3/4 · 7/8 · 1 · 1-1/8 · 1-7/16	1-11/16	10.0
2MB108	2BK110	94.20	LDS04	10.00	10.40	10.75	8A	1-13/16	1/2 · 5/8 · 3/4 · 7/8 · 1 · 1-1/8 · 1-3/16 · 1-1/4 · 1-7/16 · 35MM · 40MM	1-11/16	13.0
2MB110	-	94.20	LDS04	10.25	10.65	11.00	8A	1-13/16	5/8 · 3/4 · 7/8 · 1 · 1-1/8 · 1-7/16	1-11/16	13.0
2MB118	2BK120	102.00	LDS04	11.00	11.40	11.75	8A	1-13/16	1 · 1-3/16 · 1-1/4 · 1-7/16	1-11/16	10.0
2MB120	-	102.00	LDS04	11.25	11.65	12.00	8A	1-11/16	5/8 · 3/4 · 7/8 · 1 · 1-1/8 · 1-1/4 · 1-7/16 · 35MM ·	1-11/16	15.0
2MB128	2BK130	114.60	LDS04	12.00	12.40	12.75	8A	1-13/16	1/2 · 1 · 1-3/16 · 1-7/16	1-7/8	15.0
2MB138	2BK140	120.28	LDS04	13.00	13.40	13.75	8A	1-13/16	1/2 · 5/8 · 3/4 · 7/8 · 1 · 1-1/8 · 1-3/16 · 1-1/4 · 1-7/16 · 35MM · 40MM	1-7/8	17.0
2MB158	2BK160	143.24	LDS04	15.00	15.40	15.75	8A	1-13/16	1/2 · 1 · 1-3/16 · 1-3/8 · 1-7/16	1-7/8	18.0
2MB188	2BK190	183.76	LDS04	18.00	18.40	18.75	8A	1-13/16	1-1/8 · 1-3/16 · 1-7/16	1-7/8	26.0



TYPE 7



TYPE 8

P.D. for "A" Belts = Datum Dia. + 0.35" = O.D. - 0.40"

Type of sheave "T": A = arms; B = block; W = web

P.D. for "B" Belts = O.D.

* DO NOT use "A" belts with these specific bores

Bore Range	Keyseat
1/2"	None
5/8" - 7/8"	3/16" X 3/32"
15/16" - 1 1/4"	1/4" X 1/8"
1 5/16" - 1 3/8"	5/16" X 5/32"
1 7/16" - 1 3/4"	3/8" X 3/16"

Light Duty Bush Type: MAL, 2MAL



Features: Can handle up to 20 HP @ 1750 RPM. Bore range 1/2" to 1-1/2".
1 & 2 grooves, A & 3L-4L belts.

Note: DO NOT use these gray cast iron sheaves with rim speeds in excess of 6500 feet per minute.

MAL (A & 3L-4L V-BELTS)

This entire product series uses the "L" Bushing

1 GROOVE

Part Number	Cross Ref.	List Price	Mult. Sym.	D.D. (3L) Belts	D.D. A (4L) Belts	O.D.	Type	Dimensions*				Approx. Wt. (lbs)
								E	F	L	M	
MAL30	AK30H	19.06	LDS13	2.46	2.8	3.05	1B	3/8	3/4	1-11/32	31/32	1.15
MAL32	AK32H	19.36	LDS13	2.66	3.0	3.25	1B	3/8	3/4	1-11/32	31/32	1.30
MAL34	AK34H	19.64	LDS13	2.86	3.2	3.45	1B	3/32	3/4	1-11/32	11/16	1.20
MAL37	AK39H	20.78	LDS13	3.16	3.5	3.75	1B	3/32	3/4	1-11/32	11/16	1.50
MAL39	AK41H	21.06	LDS13	3.36	3.7	3.95	1B	3/32	3/4	1-11/32	11/16	1.75
MAL42	AK44H	21.34	LDS13	3.66	4.0	4.25	1B	3/32	3/4	1-11/32	11/16	2.05
MAL44	AK46H	21.62	LDS13	3.86	4.2	4.45	1B	3/32	3/4	1-11/32	11/16	2.25
MAL47	AK49H	21.92	LDS13	4.16	4.5	4.75	3W	3/32	3/4	1-11/32	11/16	2.10
MAL49	AK51H	22.20	LDS13	4.36	4.7	4.95	3W	3/32	3/4	1-11/32	11/16	2.35
MAL52	AK54H	22.48	LDS13	4.66	5.0	5.25	3W	3/32	3/4	1-11/32	11/16	2.65
MAL54	AK56H	22.80	LDS13	4.86	5.2	5.45	3W	3/32	3/4	1-11/32	11/16	2.75
MAL57	AK59H	23.24	LDS13	5.16	5.5	5.75	5A	3/32	3/4	1-11/32	11/16	2.60
MAL59	AK61H	23.72	LDS13	5.36	5.7	5.95	5A	3/32	3/4	1-11/32	11/16	2.50
MAL62	AK64H	24.32	LDS13	5.66	6.0	6.25	5A	3/32	3/4	1-11/32	11/16	2.60
MAL64	AK66H	25.08	LDS13	5.86	6.2	6.45	5A	3/32	3/4	1-11/32	11/16	2.70
MAL67	AK69H	27.48	LDS13	6.16	6.5	6.75	5A	3/32	3/4	1-11/32	11/16	2.85
MAL69	AK71H	28.96	LDS13	6.36	6.7	6.95	5A	3/32	3/4	1-11/32	11/16	2.90
MAL72	AK74H	30.36	LDS13	6.66	7.0	7.25	5A	3/32	3/4	1-11/32	11/16	3.10
MAL77	AK79H	33.08	LDS13	7.16	7.5	7.75	5A	3/32	3/4	1-11/32	11/16	3.35
MAL82	AK84H	35.20	LDS13	7.66	8.0	8.25	5A	1/8	3/4	1-11/32	23/32	3.85
MAL87	AK89H	37.92	LDS13	8.16	8.5	8.75	5A	3/32	3/4	1-11/32	11/16	4.10
MAL92	AK94H	40.96	LDS13	8.66	9.0	9.25	5A	3/32	3/4	1-11/32	11/16	4.40
MAL97	AK99H	43.52	LDS13	9.16	9.5	9.75	5A	3/32	3/4	1-11/32	11/16	4.60
MAL102	AK104H	44.12	LDS13	9.66	10.0	10.25	5A	3/32	3/4	1-11/32	11/16	4.90
MAL107	AK109H	46.36	LDS13	10.16	10.5	10.75	5A	3/32	3/4	1-11/32	11/16	5.20
MAL112	AK114H	47.84	LDS13	10.66	11.0	11.25	5A	3/32	3/4	1-11/32	11/32	5.55
MAL122	AK124H	52.28	LDS13	11.66	12.0	12.25	5A	3/32	3/4	1-11/32	11/16	5.90
MAL132	AK134H	60.28	LDS13	12.66	13.0	13.25	5A	3/32	3/4	1-11/32	11/16	6.55
MAL142	AK144H	67.72	LDS13	13.66	14.0	14.25	5A	3/32	3/4	1-11/32	11/16	7.30
MAL152	AK154H	74.52	LDS13	14.66	15.0	15.25	5A	3/32	3/4	1-11/32	11/16	9.80
MAL182	AK184H	88.00	LDS13	17.66	18.0	18.25	5A	3/32	3/4	1-11/32	11/16	9.95

P.D. for "A" (4L) Belts = O.D.

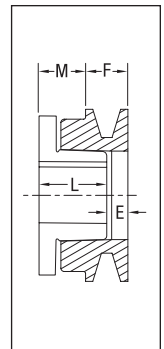
P.D. for "3L" Belts = D.D.+0.25 = O.D.-0.34

* Dimensions to closest fraction.

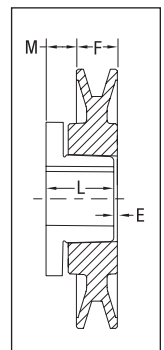
Legend: "E" and "M" dimensions may vary according to shaft tolerance.

With "L" bushing only reverse mounting is possible.

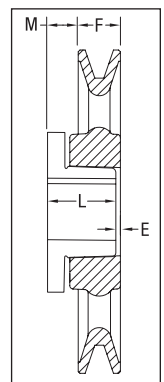
Type of sheave "T": A = arms; B = block; W = web



TYPE 1



TYPE 3



TYPE 5

2MAL (A V-BELTS)

This entire product series uses the "L" Bushing

2 GROOVES

Part Number	Cross Ref.	List Price	Mult. Sym.	D.D. "A" Belts	O.D.	Type	Dimensions*				Approx. Wt. (lbs)
							E	F	L	M	
2MAL30	2AK30H	33.36	LDS13	2.8	3.05	2B	1	1-3/8	1-11/32	31/32	1.70
2MAL32	2AK32H	37.48	LDS13	3.0	3.25	2B	1	1-3/8	1-11/32	31/32	1.90
2MAL34	2AK34H	37.76	LDS13	3.2	3.45	2B	23/32	1-3/8	1-11/32	11/16	1.90
2MAL37	2AK39H	38.56	LDS13	3.5	3.75	2B	23/32	1-3/8	1-11/32	11/16	2.15
2MAL39	2AK41H	42.68	LDS13	3.7	3.95	4B	3/32	1-3/8	1-11/32	1/16	2.30
2MAL42	2AK44H	44.16	LDS13	4.0	4.25	4B	3/32	1-3/8	1-11/32	1/16	2.75
2MAL44	2AK46H	46.24	LDS13	4.2	4.45	4W	3/32	1-3/8	1-11/32	1/16	2.85
2MAL47	2AK49H	47.12	LDS13	4.5	4.75	4W	3/32	1-3/8	1-11/32	1/16	3.50
2MAL49	2AK51H	48.44	LDS13	4.7	4.95	4W	3/32	1-3/8	1-11/32	1/16	3.70
2MAL52	2AK54H	50.52	LDS13	5.0	5.25	4W	3/32	1-3/8	1-11/32	1/16	4.05
2MAL54	2AK56H	51.24	LDS13	5.2	5.45	4W	3/32	1-3/8	1-11/32	1/16	4.20
2MAL57	2AK59H	51.68	LDS13	5.5	5.75	6A	3/32	1-3/8	1-11/32	1/16	3.90
2MAL59	2AK61H	52.88	LDS13	5.7	5.95	6A	3/32	1-3/8	1-11/32	1/16	4.05
2MAL62	2AK64H	55.76	LDS13	6.0	6.25	6A	3/32	1-3/8	1-11/32	1/16	4.50
2MAL72	2AK74H	62.36	LDS13	7.0	7.25	6A	3/32	1-3/8	1-11/32	1/16	5.70
2MAL82	2AK84H	69.20	LDS13	8.0	8.25	6A	3/32	1-3/8	1-11/32	1/16	6.50
2MAL92	2AK94H	74.36	LDS13	9.0	9.25	6A	3/32	1-3/8	1-11/32	1/16	7.80
2MAL102	2AK104H	77.92	LDS13	10.0	10.25	6A	3/32	1-3/8	1-11/32	1/16	8.80
2MAL112	2AK114H	86.68	LDS13	11.0	11.25	6A	3/32	1-3/8	1-11/32	1/16	9.50
2MAL122	2AK124H	91.40	LDS13	12.0	12.25	6A	3/32	1-3/8	1-11/32	1/16	10.60
2MAL132	2AK134H	96.76	LDS13	13.0	13.25	6A	3/32	1-3/8	1-11/32	1/16	11.90
2MAL142	2AK144H	102.36	LDS13	14.0	14.25	6A	3/32	1-3/8	1-11/32	1/16	12.45
2MAL152	2AK154H	114.68	LDS13	15.0	15.25	6A	3/32	1-3/8	1-11/32	1/16	14.00
2MAL182	2AK184H	151.12	LDS13	18.0	18.25	6A	3/32	1-3/8	1-11/32	1/16	17.95

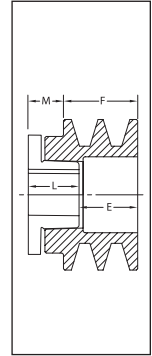
P.D. for "A" Belts = O.D.

* Dimensions to closest fraction.

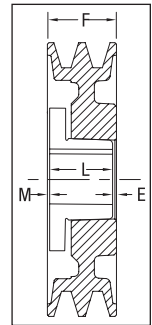
Legend: "E" and "M" dimensions may vary according to shaft tolerance.

With "L" bushing only reverse mounting is possible.

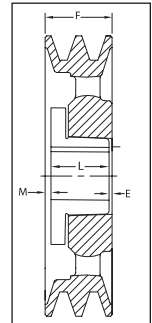
Type of sheave "T": A = arms; B = block; W = web



TYPE 2



TYPE 4



TYPE 6

Light Duty Bush Type: MBL, 2MBL



Features: Can handle up to 20 HP @ 1750 RPM. Bore range 1/2" to 1-1/2". 1 & 2 grooves, A-B & 4L-5L belts.

Note: DO NOT use these gray cast iron sheaves with rim speeds in excess of 6500 feet per minute.

MBL (A-B & 4L-5L V-BELTS)

This entire product series uses the "L" Bushing

1 GROOVE

Part Number	Cross Ref.	List Price	Mult. Sym.	D.D. A(4L) Belts	D.D. B(5L) Belts	O.D.	Type	Dimensions*				Approx. Wt. (lbs)
								E	F	L	M	
MBL31	BK30H	21.68	LDS13	2.40	2.80	3.15	1B	17/32	29/32	1-11/32	63/64	1.25
MBL33	BK32H	23.06	LDS13	2.60	3.00	3.35	1B	17/32	29/32	1-11/32	63/64	1.40
MBL35	BK34H	23.10	LDS13	2.80	3.20	3.55	1B	17/32	29/32	1-11/32	63/64	1.65
MBL37	BK36H	23.28	LDS13	3.00	3.40	3.75	3B	3/32	29/32	1-11/32	17/32	1.40
MBL39	BK40H	23.34	LDS13	3.20	3.60	3.95	3B	3/32	29/32	1-11/32	17/32	1.70
MBL42	BK45H	23.84	LDS13	3.50	3.90	4.25	3B	3/32	29/32	1-11/32	17/32	2.05
MBL44	BK47H	24.36	LDS13	3.70	4.10	4.45	3B	3/32	29/32	1-11/32	17/32	2.35
MBL47	BK50H	24.92	LDS13	4.00	4.40	4.75	3W	3/32	29/32	1-11/32	17/32	1.95
MBL49	BK52H	25.44	LDS13	4.20	4.60	4.95	3W	3/32	29/32	1-11/32	17/32	2.40
MBL52	BK55H	25.96	LDS13	4.50	4.90	5.25	3W	3/32	29/32	1-11/32	17/32	2.35
MBL54	BK57H	26.46	LDS13	4.70	5.10	5.45	3W	3/32	29/32	1-11/32	17/32	2.90
MBL57	BK60H	26.76	LDS13	5.00	5.40	5.75	5W	3/32	29/32	1-11/32	17/32	2.45
MBL59	BK62H	28.20	LDS13	5.20	5.60	5.95	5W	3/32	29/32	1-11/32	17/32	2.80
MBL62	BK65H	30.08	LDS13	5.50	5.90	6.25	5W	3/32	29/32	1-11/32	17/32	2.70
MBL64	BK67H	30.96	LDS13	5.70	6.10	6.45	5W	3/32	29/32	1-11/32	17/32	2.80
MBL67	BK70H	32.04	LDS13	6.00	6.40	6.75	5A	3/32	29/32	1-11/32	17/32	3.00
MBL69	BK72H	33.52	LDS13	6.20	6.60	6.95	5A	3/32	29/32	1-11/32	17/32	3.60
MBL72	BK75H	34.92	LDS13	6.50	6.90	7.25	5A	3/32	29/32	1-11/32	17/32	3.45
MBL74	BK77H	35.36	LDS13	6.70	7.10	7.45	5A	3/32	29/32	1-11/32	17/32	3.65
MBL77	BK80H	35.96	LDS13	7.00	7.40	7.75	5A	3/32	29/32	1-11/32	17/32	3.80
MBL82	BK85H	39.92	LDS13	7.50	7.90	8.25	5A	3/32	29/32	1-11/32	17/32	4.55
MBL87	BK90H	42.48	LDS13	8.00	8.40	8.75	5A	3/32	29/32	1-11/32	17/32	5.10
MBL92	BK95H	45.68	LDS13	8.50	8.90	9.25	5A	3/32	29/32	1-11/32	17/32	5.30
MBL97	BK100H	47.44	LDS13	9.00	9.40	9.75	5A	3/32	29/32	1-11/32	17/32	5.80
MBL102	BK105H	48.36	LDS13	9.50	9.90	10.25	5A	3/32	29/32	1-11/32	17/32	5.50
MBL107	BK110H	52.16	LDS13	10.00	10.40	10.75	5A	3/32	29/32	1-11/32	17/32	5.85
MBL112	BK115H	53.80	LDS13	10.50	10.90	11.25	5A	3/32	29/32	1-11/32	17/32	7.20
MBL117	BK120H	57.72	LDS13	11.00	11.40	11.75	5A	3/32	29/32	1-11/32	17/32	6.59
MBL127	BK130H	63.16	LDS13	12.00	12.40	12.75	5A	3/32	29/32	1-11/32	17/32	7.90
MBL137	BK140H	71.64	LDS13	13.00	13.40	13.75	5A	3/32	29/32	1-11/32	17/32	10.15
MBL147	BK150H	77.80	LDS13	14.00	14.40	14.75	5A	3/32	29/32	1-11/32	17/32	13.25
MBL157	BK160H	83.72	LDS13	15.00	15.40	15.75	5A	3/32	29/32	1-11/32	17/32	16.05
MBL187	BK190H	114.52	LDS13	18.00	18.40	18.75	5A	3/32	29/32	1-11/32	17/32	12.45

P.D. for "A" (4L) Belts = Datum.Dia. + 0.35" = O.D. - 0.40"

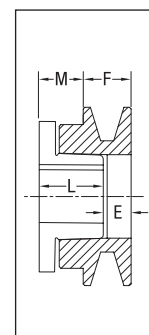
P.D. for "B" (5L) Belts = O.D.

* Dimensions to closest fraction.

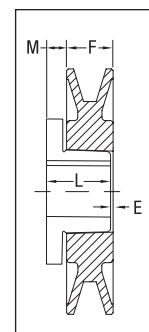
Legend: "E" and "M" dimensions may vary according to shaft tolerance.

With "L" bushing only reverse mounting is possible.

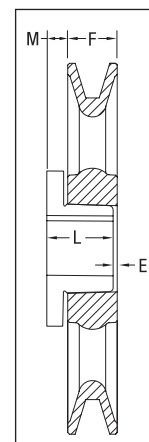
Type of sheave "T": A = arms; B = block; W = web



TYPE 1



TYPE 3



TYPE 5

2MBL (A-B V-BELTS)

This entire product series uses the "L" Bushing

2 GROOVES

Part Number	Cross Ref.	List Price	Mult. Sym.	D.D. "A" Belts	D.D. "B" Belts	O.D.	Type	Dimensions*				Approx. Wt. (lbs)
								E	F	L	M	
2MBL33	2BK32H	39.56	LDS13	2.60	3.00	3.35	2B	1-3/8	1-3/4	1-11/32	31/32	2.35
2MBL35	2BK34H	39.84	LDS13	2.80	3.20	3.55	2B	1-3/8	1-3/4	1-11/32	31/32	2.55
2MBL37	2BK36H	40.64	LDS13	3.00	3.40	3.75	2B	1-3/8	1-3/4	1-11/32	31/32	3.00
2MBL39	2BK40H	41.04	LDS13	3.20	3.60	3.95	2B	15/16	1-3/4	1-11/32	17/32	2.80
2MBL42	2BK45H	42.08	LDS13	3.50	3.90	4.25	2B	15/16	1-3/4	1-11/32	17/32	3.25
2MBL44	2BK47H	46.36	LDS13	3.70	4.10	4.45	2B	15/16	1-3/4	1-11/32	17/32	3.35
2MBL47	2BK50H	47.24	LDS13	4.00	4.40	4.75	4W	3/32	1-3/4	1-11/32	5/16	3.85
2MBL49	2BK52H	48.44	LDS13	4.20	4.60	4.95	4W	3/32	1-3/4	1-11/32	5/16	4.00
2MBL52	2BK55H	52.44	LDS13	4.50	4.90	5.25	4W	3/32	1-3/4	1-11/32	5/16	4.40
2MBL54	2BK57H	53.32	LDS13	4.70	5.10	5.45	4W	3/32	1-3/4	1-11/32	5/16	4.95
2MBL57	2BK60H	54.52	LDS13	5.00	5.40	5.75	4W	3/32	1-3/4	1-11/32	5/16	5.30
2MBL59	2BK62H	55.24	LDS13	5.20	5.60	5.95	4W	3/32	1-3/4	1-11/32	5/16	5.80
2MBL62	2BK65H	59.56	LDS13	5.50	5.90	6.25	6A	1/16	1-3/4	1-11/32	11/32	5.40
2MBL64	2BK67H	60.60	LDS13	5.70	6.10	6.45	6A	1/16	1-3/4	1-11/32	11/32	5.85
2MBL67	2BK70H	62.24	LDS13	6.00	6.40	6.75	6A	1/16	1-3/4	1-11/32	11/32	5.55
2MBL69	-	64.60	LDS13	6.20	6.60	6.95	6A	1/16	1-3/4	1-11/32	11/32	6.65
2MBL77	2BK80H	72.28	LDS13	7.00	7.40	7.75	6A	1/16	1-3/4	1-11/32	11/32	6.85
2MBL87	2BK90H	73.64	LDS13	8.00	8.40	8.75	6A	1/16	1-3/4	1-11/32	11/32	9.65
2MBL97	2BK100H	85.48	LDS13	9.00	9.40	9.75	6A	1/16	1-3/4	1-11/32	11/32	9.20
2MBL107	2BK110H	92.60	LDS13	10.00	10.40	10.75	6A	1/16	1-3/4	1-11/32	11/32	12.80
2MBL117	2BK120H	105.76	LDS13	11.00	11.40	11.75	6A	1/16	1-3/4	1-11/32	11/32	14.65
2MBL127	2BK130H	113.64	LDS13	12.00	12.40	12.75	6A	1/16	1-3/4	1-11/32	11/32	14.15
2MBL137	2BK140H	128.60	LDS13	13.00	13.40	13.75	6A	1/16	1-3/4	1-11/32	11/32	14.95
2MBL157	2BK160H	134.92	LDS13	15.00	15.40	15.75	6A	1/16	1-3/4	1-11/32	11/32	18.70
2MBL187	2BK190H	151.40	LDS13	18.00	18.40	18.75	6A	1/16	1-3/4	1-11/32	11/32	24.20

P.D. for "A" Belts = Datum.Dia. + 0.35" = O.D. - 0.40"

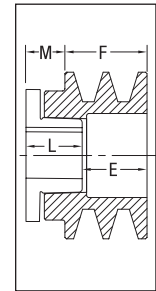
P.D. for "B" Belts = O.D.

* Dimensions to closest fraction

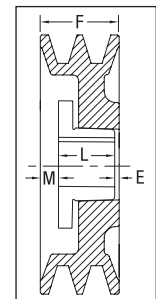
Legend: "E" and "M" dimensions may vary according to shaft tolerance.

With "L" bushing only reverse mounting is possible.

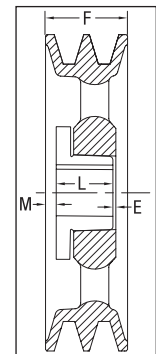
Type of sheave "T": A = arms; B = block; W = web



TYPE 2

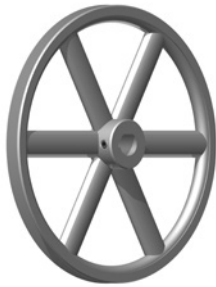


TYPE 4



TYPE 6

Fractional Horsepower Series (F.H.P.): MFAL (Fixed bore A & 4L V-belt series)



Features: Stock items include one set screw with standard keyseat.

Note: DO NOT use these gray cast iron sheaves with rim speeds in excess of 6500 feet per minute.

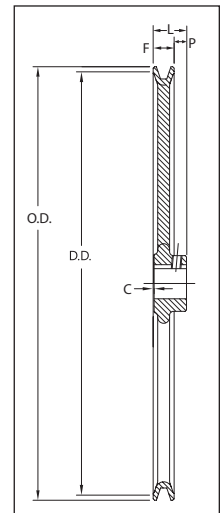
How to order: Example: MFAL104X3/4; M = Maska light duty family
FAL = Fractional horsepower series. 104 = Outside diameter (10") (Refer to the dimensions table for exact value). X 3/4 = Bore size (3/4").

Dimensions

Part Number	List Price	Mult. Sym.	Diameter		Stock Bores			Dimensions				Approx. Wt. (Lbs)
			Outside	D.D. A (4L)	5/8"	3/4"	1"	F	L	P	C	
MFAL54	14.88	LDS19	4.93	4.78	x	x	x	19/32	1-1/16	15/32	-	1.1
MFAL64	15.56	LDS19	5.93	5.78	x	x	x	19/32	1-1/16	15/32	-	1.5
MFAL74	17.76	LDS19	6.93	6.78	x	x	x	19/32	1-1/16	15/32	-	1.75
MFAL84	20.24	LDS19	7.93	7.78	x	x	x	19/32	1-1/16	15/32	-	2.2
MFAL94	25.56	LDS19	8.93	8.78	-	x	x	19/32	1-1/16	15/32	-	3.0
MFAL104	28.20	LDS19	9.93	9.78	-	x	x	19/32	1-1/16	15/32	-	2.7
MFAL114	31.20	LDS19	10.93	10.78	-	x	x	19/32	1-1/16	15/32	-	3.1
MFAL124	37.40	LDS19	11.93	11.78	-	x	x	19/32	1-1/16	15/32	-	3.5
MFAM144	61.20	LDS19	14.16	14.00	-	-	x	11/16	1-3/32	13/32	1/32	5.2

Pitch Dia. for "A" (4L) belts = Datum Dia. +.26" = O.D. +.11"

Bore Range	Keyseat
1/2"	None
5/8" - 7/8"	3/16" X 3/32"
15/16" - 1 1/4"	1/4" X 1/8"



Adjustable Pitch Light Duty (HVAC) MVL



Features: Designed for applications up to 5HP. Bore range 1/2" to 7/8". Designed to be used with the MFAL Series.

Note: DO NOT use these gray cast iron sheaves with rim speeds in excess of 6500 feet per minute.

How to order: Example: MVL30X5/8;

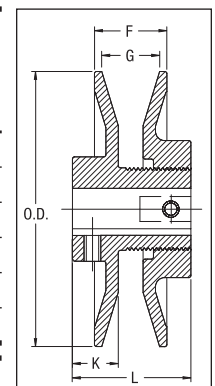
MVL: Maska variable light duty pitch sheave, 30: Approximate outside diameter 2.87", X 5/8: Bore size (5/8"). Inch bore sizes are designated with the whole inch followed by the fraction. For example, a 1.5" diameter bore would be 1-1/2.

Dimensions

Part Number	List Price	Mult. Sym.	O.D.	Dimensions						Stock Bores Marked "X"				Approx. Wt. (Lbs)
				F		G		L	K	1/2	5/8	3/4	7/8	
				Max.	Min.	Max.	Min.							
MVL25	11.70	VPS16	2.50	27/32	19/32	5/8	3/8	1 1/2	37/64	X	X	-	-	0.8
MVL30	12.20	VPS16	2.87	27/32	19/32	5/8	3/8	1 1/2	37/64	X	X	-	-	1.0
MVL34	12.20	VPS16	3.15	1-5/64	23/32	7/8	1/2	1-11/16	37/64	X	X	X	-	1.1
MVL40	15.00	VPS16	3.75	1-3/32	45/64	7/8	1/2	1-11/16	37/64	X	X	X	X	1.5
MVL44	19.00	VPS16	4.15	1-3/32	45/64	7/8	1/2	1-11/16	37/64	X	X	X	X	1.75
1VM50	30.00	VPS16	4.75	1-1/16	11/16	7/8	1/2	1 7/8	21/32	X	X	X	X	2.8

Pitch Dia. for "A" (4L) belts = Datum Dia. +.26" = O.D. +.11"

Bore Range	Keyseat
1/2"	None
5/8" - 7/8"	3/16" X 3/32"



8000 SERIES



Features: Stock Sizes - 1 and 2 grooves up to 25 HP. Both 1 and 2 groove adjustable sheaves permit variations of as much as 30% in speed when used with a fixed diameter sheave. Available in metric bores. Larger sizes come with 2 set screws. Other special bores are available, call for delivery terms.

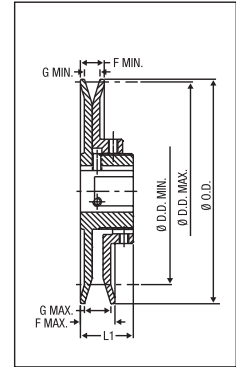
Note: DO NOT use these gray cast iron sheaves with rim speeds in excess of 6500 feet per minute.

How to order: Example: 8600X1-3/8; 8600: Variable pitch sheave size. The first digit stands for 8000 series. Last three digits represent the approximate outside diameter (6.00). X 1-3/8: Bore size (1-3/8"). Metric bore sizes are designated with "MM" after the metric dimension (X 25MM). Inch bore sizes are designated with the whole inch followed by the fraction. For example, a 1.5" diameter bore would be 1-1/2.

1 GROOVE

Dimensions

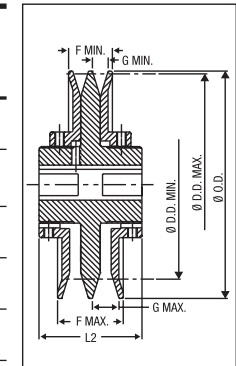
Part Number	List Price	Mult. Sym.	O.D.	L1	F		G		Available Stock Bores	Approx. Wt. (lbs)
					Max.	Min.	Max.	Min.		
8325	33.80	VPS12	3.25	1-3/4	1-1/32	21/32	3/4	3/8	*1/2 · 5/8 · 3/4 · 7/8 · 1 · 1-1/8 9mm · 14mm · 19mm	2.0
8350	41.60	VPS12	3.75	1-3/4	1-5/32	25/32	7/8	1/2	*1/2 · 5/8 · 3/4 · 7/8 · 1 · 1-1/8 9mm · 14mm · 19mm · 24mm · 28mm	2.0
8400	42.70	VPS12	4.15	1-3/4	1-5/32	25/32	7/8	1/2	*1/2 · 5/8 · 3/4 · 7/8 · 1 · 1-1/8 12.7mm · 14mm · 19mm · 24mm · 28mm	2.5
8450 ¹	43.20	VPS12	4.75	1-3/4	1-5/32	25/32	7/8	1/2	*1/2 · 5/8 · 3/4 · 7/8 · 1 · 1-1/8 12.7mm · 14mm · 19mm · 24mm · 28mm	3.1
8550 ²	67.80	VPS12	5.35	1-3/4	1-9/32	25/32	1	1/2	*1/2 · 5/8 · 3/4 · 7/8 · 1 · 1-1/8 · 1-3/8 · 1-5/8 12.7mm · 14mm · 19mm · 24mm · 28mm · 38mm	4.5
8600 ²	105.40	VPS12	6.00	1-3/4	1-9/32	25/32	1	1/2	5/8 · 3/4 · 7/8 · 1 · 1-1/8 · 1-3/8 · 1-5/8 12.7mm · 19mm · 24mm · 28mm · 38mm · 42mm	5.0
8670 ²	106.80	VPS12	6.70	1-3/4	1-9/32	25/32	1	1/2	5/8 · 3/4 · 7/8 · 1 · 1-1/8 · 1-3/8 · 1-5/8 12.7mm · 19mm · 24mm · 28mm · 38mm · 42mm	6.0
8740 ²	153.40	VPS12	7.40	1-3/4	1-9/32	25/32	1	1/2	3/4 · 7/8 · 1 · 1-1/8 · 1-3/8 · 1-5/8 24mm · 28mm · 38mm · 42mm	7.0



2 GROOVES

Dimensions

Part Number	List Price	Mult. Sym.	O.D.	L2	F		G		Available Stock Bores	Approx. Wt. (lbs)
					Max.	Min.	Max.	Min.		
D8325	81.00	VPS12	3.25	3-1/4	1-15/16	1-3/16	3/4	3/8	5/8 · 3/4 · 7/8 · 1 · 1-1/8 24mm · 28mm	3.5
D8350	93.20	VPS12	3.75	3-3/8	2-3/16	1-7/16	7/8	1/2	5/8 · 3/4 · 7/8 · 1 · 1-1/8 28mm	4.2
D8400	100.30	VPS12	4.15	3-3/8	2-3/16	1-7/16	7/8	1/2	5/8 · 3/4 · 7/8 · 1 · 1-1/8 24mm · 28mm	4.8
D8450 ¹	105.80	VPS12	4.75	3-3/8	2-3/16	1-7/16	7/8	1/2	5/8 · 3/4 · 7/8 · 1 · 1-1/8 12.7mm · 24mm · 28mm	6.0
D8550 ²	123.60	VPS12	5.35	3-3/8	2-7/16	1-7/16	1	1/2	3/4 · 7/8 · 1 · 1-1/8 · 1-3/8 · 1-5/8 12.7mm · 19mm · 24mm · 28mm · 38mm · 42mm	9.0
D8600 ²	167.20	VPS12	6.00	3-3/8	2-7/16	1-7/16	1	1/2	3/4 · 7/8 · 1 · 1-1/8 · 1-3/8 · 1-5/8 12.7mm · 24mm · 28mm · 38mm · 42mm	10.8
D8670 ²	176.80	VPS12	6.70	3-3/8	2-7/16	1-7/16	1	1/2	3/4 · 7/8 · 1 · 1-1/8 · 1-3/8 · 1-5/8 12.7mm · 24mm · 28mm · 38mm · 42mm	12.8
D8740 ²	272.60	VPS12	7.40	3-3/8	2-7/16	1-7/16	1	1/2	3/4 · 7/8 · 1 · 1-1/8 · 1-3/8 · 1-5/8 24mm · 28mm · 38mm · 42mm	14.8



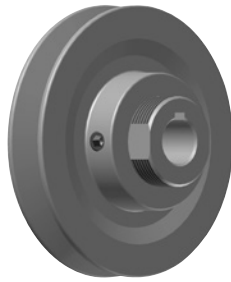
* Supplied without keyway

¹ Comes with two set screws at 120 degrees

² Comes with two set screws at 120 degrees and an "H" Key

U.S. Patent N° 450 4249 - Can. Patent N° 1160478

VP SERIES

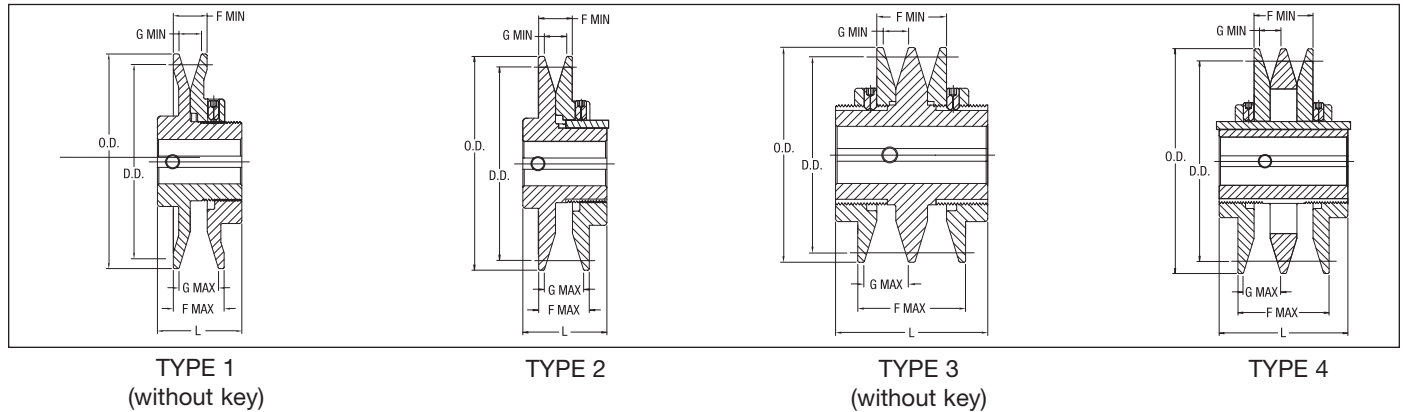


Features: Maska 1VP and 2VP Series are finished bore variable speed sheaves made of cast iron and designed for heavier duty service up to 25HP. Available in single and double grooves, they offer a pitch range from 1.9" to 6.7" (A belt) and 2.4" to 7.0" (B belt). Type 2 model has positive locked-on settings.

Note: DO NOT use these gray cast iron sheaves with rim speeds in excess of 6500 feet per minute.

How to order: Example: 1VP71X3/4; 1: Number of grooves. VP = Variable pitch sheave, 71 = the approximate outside diameter (7.1"), X 3/4: Bore size (3/4"). Inch bore sizes are designated with the whole inch followed by the fraction. For example, a 1.5" diameter bore would be 1-1/2.

1VP & 2VP SERIES



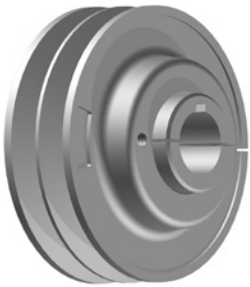
Dimensions

Part Number	List Price	Mult. Sym.	Type	O.D.	L	F		G		Available Stock Bores	Approx. Wt. (lbs)
						Max.	Min.	Max.	Min.		
1VP25	36.96	VPS30	1	2.50	1-1/2	13/16	9/16	5/8	3/8	*1/2	7
1VP30	37.52	VPS30	1	2.87	1-21/32	13/16	9/16	5/8	3/8	*1/2 · 5/8 · 3/4	1.1
1VP34	47.20	VPS30	1	3.15	1-7/8	1	11/16	13/16	1/2	*1/2 · 5/8 · 3/4 · 7/8	1.4
1VP40	47.80	VPS30	1	3.75	1-7/8	1-1/16	11/16	7/8	1/2	*1/2 · 5/8 · 3/4 · 7/8	1.9
1VP44	51.60	VPS30	1	4.15	1-7/8	1-1/16	11/16	7/8	1/2	*1/2 · 5/8 · 3/4	2.4
1VP44	71.60	VPS30	2	4.15	1-7/8	1-1/8	3/4	7/8	1/2	7/8 · 1 · 1 1/8	2.9
1VP50	60.80	VPS30	1	4.75	2	1-1/16	11/16	7/8	1/2	*1/2 · 5/8 · 3/4	2.9
1VP50	87.00	VPS30	2	4.75	1-7/8	1-1/8	3/4	7/8	1/2	7/8 · 1 · 1-1/8	3.6
1VP56	90.80	VPS30	1	5.35	1-7/8	1-1/16	11/16	7/8	1/2	*1/2 · 5/8 · 3/4	3.8
1VP56	117.20	VPS30	2	5.35	1-7/8	1-1/8	3/4	7/8	1/2	7/8 · 1 · 1-1/8	4.4
1VP60	142.00	VPS30	2	6.00	1-21/32	1-1/4	7/8	1-1/32	21/32	3/4 · 7/8 · 1-1/8 · 1-3/8	6.5
1VP62	143.30	VPS30	2	5.95	1-29/32	1-1/8	3/4	7/8	1/2	5/8 · 3/4 · 7/8 · 1 · 1-1/8 · 1-1/4 · 1-3/8	6.1
1VP65	148.60	VPS30	2	6.50	1-21/32	1-1/4	7/8	1-1/32	21/32	3/4 · 7/8 · 1-1/8 · 1-3/8 · 1-5/8	6.8
1VP68	149.20	VPS30	2	6.55	1-29/32	1-1/8	3/4	7/8	1/2	5/8 · 3/4 · 7/8 · 1 · 1-1/8 · 1-1/4 · 1-3/8	7.3
1VP71	158.40	VPS30	2	7.10	1-21/32	1-1/4	7/8	1-1/32	21/32	3/4 · 7/8 · 1-1/8 · 1-3/8 · 1-5/8	8.2
1VP75	211.40	VPS30	2	7.50	1-21/32	1-1/4	7/8	1-1/32	21/32	3/4 · 7/8 · 1-1/8 · 1-3/8	9.2
2VP36	113.60	VPS30	3	3.35	3	2	1-3/8	13/16	1/2	*1/2 · 5/8 · 3/4 · 7/8 · 1	3.4
2VP42	130.20	VPS30	3	3.95	3	2-1/8	1-3/8	7/8	1/2	5/8 · 3/4 · 7/8 · 1 · 1-1/8	4.4
2VP50	150.00	VPS30	4	4.75	3	2-1/8	1-3/8	7/8	1/2	5/8 · 3/4 · 7/8 · 1 · 1-1/8	6.3
2VP56	176.60	VPS30	4	5.35	3	2-1/8	1-3/8	7/8	1/2	5/8 · 3/4 · 7/8 · 1 · 1-1/8	7.8
2VP60	225.60	VPS30	4	6.00	3-1/4	2-3/8	1-5/8	1-1/32	21/32	3/4 · 7/8 · 1-1/8 · 1-3/8 · 1-5/8	10.6
2VP62	225.80	VPS30	4	5.95	3	2-1/8	1-3/8	7/8	1/2	3/4 · 7/8 · 1 · 1-1/8 · 1-1/4 · 1-3/8	10.0
2VP65	242.00	VPS30	4	6.50	3-1/4	2-3/8	1-5/8	1-1/32	21/32	3/4 · 7/8 · 1-1/8 · 1-3/8 · 1-5/8	12.3
2VP68	249.80	VPS30	4	6.55	3	2-1/8	1-3/8	7/8	1/2	7/8 · 1 · 1-1/8 · 1-1/4 · 1-3/8 · 1-5/8 · 1-7/8	11.7
2VP71	256.00	VPS30	4	7.10	3-1/4	2-3/8	1-5/8	1-1/32	21/32	3/4 · 7/8 · 1-1/8 · 1-3/8 · 1-5/8 · 1-7/8 · 50MM	14.6
2VP75	379.20	VPS30	4	7.50	3-1/4	2-3/8	1-5/8	1-1/32	21/32	3/4 · 7/8 · 1-1/8 · 1-3/8 · 1-5/8 · 1-7/8	16.5

Pitch Dia. for "A" (4L) belts = Datum Dia. +.26" = O.D. +.11"

* Supplied without keyway

MVS



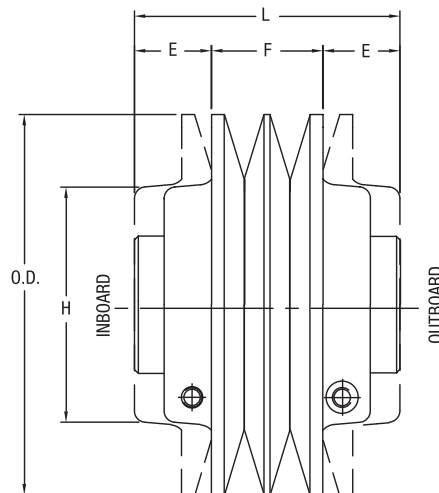
Features: Designed for up to 40 HP @ 1750 RPM. Used with A, B, 3V & 5V belts

Note: DO NOT use these gray cast iron sheaves with rim speeds in excess of 6500 feet per minute.

How to order: Example: MVS150X1-3/8; MVS = Maska variable speed sheave, Last three digits represent the outside diameter in MM. 150 MM = 5.905". X 1-3/8: Bore size (1-3/8"). Inch bore sizes are designated with the whole inch followed by the fraction. For example, a 1.5" diameter bore would be 1-1/2".

Dimensions

Part Number	List Price	Mult. Sym.	O.D.	Dimensions						Stock Bores Marked "X"					Approx. Wt. (lbs)
				F		E		L	H	1-1/8	1-3/8	1-5/8	1-7/8	2-1/8	
				Min.	Max.	Min.	Max.								
MVS130	228.00	VPS17	5.118	1.73	2.27	0.75	1.02	3.77	3.15	X	X	-	-	-	8.5
MVS150	250.00	VPS17	5.905	1.73	2.59	0.77	1.20	4.13	3.62	X	X	X	-	-	12.1
MVS170	272.00	VPS17	6.692	1.73	2.59	0.77	1.20	4.13	3.62	X	X	X	-	-	14.8
MVS190	294.00	VPS17	7.480	1.73	2.59	0.77	1.20	4.13	5.12	-	X	X	X	-	23.2
MVS210	316.00	VPS17	8.268	1.73	2.59	0.77	1.20	4.13	5.12	-	X	X	X	X	27.0
MVS230	338.00	VPS17	9.055	1.73	2.59	0.77	1.20	4.13	5.12	-	X	X	X	X	30.40



Pulley Adjustment

Modify the sheave pitch diameter by using the adjustment screw. Every turn of the adjustment screw moves the flanges by 1/16". Once the required diameter is obtained, tighten the locking screw.

VERSA-V Sheaves
(Split taper)



Features: Used with conventional A, B and 5V belts. Available in 1 to 4 grooves. B Bushing used with the majority of the Versa-V Sheaves, bores 1/2 to 2-7/16. Popular in HVAC, wood processing industry, bulk material handling and package material handling.

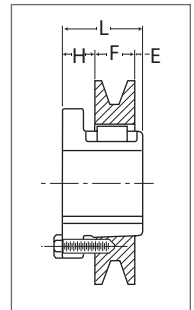
Note: The type of sheave construction is indicated in the column entitled Type. The number refers to the drawing and the letter as follows:

A = arms; B = block; W = web.

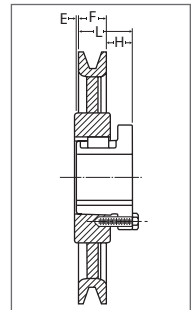
How to order: Example: 2VV54; 2 = Number of grooves. VV = Versa-V (split taper type sheaves), 54 = Datum diameter for B belts (5.4")

1 Groove

Part Number	Cross. ref.	List Price	Diameters				F = 1 inch					Approx. Wt. (lbs.)
			Outside	Datum A Belts	Datum B Belts	Pitch 5V Belts	H	Type	B	L	E	
1VV42	1B5V42	26.47	4.48	3.8	4.2	4.5	5/8	1B	P1	1-15/16	5/16	2.5
1VV44	1B5V44	27.27	4.68	4	4.4	4.5	5/8	1B	P1	1-15/16	5/16	2.8
1VV46	1B5V46	30.11	4.88	4.2	4.6	4.7	3/4	1B	B	1-15/16	3/16	2.5
1VV48	1B5V48	30.93	5.08	4.4	4.8	4.9	3/4	1B	B	1-15/16	3/16	2.9
1VV50	1B5V50	31.75	5.28	4.6	5	5.1	3/4	1B	B	1-15/16	3/16	3.3
1VV52	1B5V52	32.56	5.48	4.8	5.2	5.3	3/4	1B	B	1-15/16	3/16	3.7
1VV54	1B5V54	33.38	5.68	5	5.4	5.5	3/4	1B	B	1-15/16	3/16	4.1
1VV56	1B5V56	34.20	5.88	5.2	5.6	5.7	3/4	1B	B	1-15/16	3/16	4.5
1VV58	1B5V58	35.02	6.08	5.4	5.8	5.9	3/4	1B	B	1-15/16	3/16	5
1VV60	1B5V60	36.65	6.28	5.6	6	6.1	3/4	1B	B	1-15/16	3/16	5.4
1VV62	1B5V62	38.29	6.48	5.8	6.2	6.3	3/4	1W	B	1-15/16	3/16	5.3
1VV64	1B5V64	39.92	6.68	6	6.4	6.5	3/4	1W	B	1-15/16	3/16	5.6
1VV66	1B5V66	43.20	6.88	6.2	6.6	6.7	3/4	1W	B	1-15/16	3/16	6
1VV68	1B5V68	44.83	7.08	6.4	6.8	6.9	3/4	1W	B	1-15/16	3/16	6.4
1VV70	1B5V70	46.47	7.28	6.6	7	7.1	3/4	1W	B	1-15/16	3/16	6.8
1VV74	1B5V74	49.74	7.68	7	7.4	7.5	3/4	1W	B	1-15/16	3/16	7.7
1VV80	1B5V80	51.37	8.28	7.6	8	8.1	7/8	2A	B	1-15/16	3/16	7.5
1VV86	1B5V86	54.65	8.88	8.2	8.6	8.7	7/8	2A	B	1-15/16	3/16	7.9
1VV90	1B5V90	55.44	9.28	8.6	9	9.1	7/8	2A	B	1-15/16	3/16	8.2
1VV94	1B5V94	56.28	9.68	9	9.4	9.5	7/8	2A	B	1-15/16	3/16	8.5
1VV110	1B5V110	66.10	11.28	10.6	11	11.1	7/8	2A	B	1-15/16	3/16	10.3
1VV124	1B5V124	77.55	12.68	12	12.4	12.5	7/8	2A	B	1-15/16	3/16	11.5
1VV136	1B5V136	82.45	13.88	13.2	13.6	13.7	7/8	2A	B	1-15/16	3/16	13.3
1VV154	1B5V154	106.77	15.68	15	15.4	15.5	7/8	2A	B	1-15/16	3/16	15.5
1VV160	1B5V160	123.12	16.28	15.6	16	16.1	7/8	2A	B	1-15/16	3/16	16.6
1VV184	1B5V184	139.48	18.68	18	18.4	18.5	7/8	2A	B	1-15/16	3/16	20
1VV200	1B5V200	200.00	20.28	19.5	20	20.1	7/8	2A	B	1-15/16	3/16	21.8
1VV234	1B5V234	236.83	23.68	22.9	23.4	23.5	7/8	2A	B	1-15/16	3/16	28.2
1VV250	1B5V250	254.17	25.28	24.5	25	25.1	7/8	2A	B	1-15/16	3/16	31.4
1VV278	1B5V278	314.71	28.08	27.3	27.8	27.9	7/8	2A	B	1-15/16	3/16	36.5



TYPE 1



TYPE 2

VERSA-V Sheaves

3 Grooves (cont.)

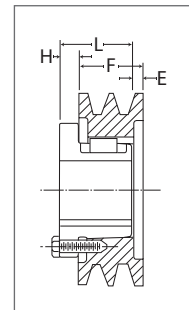
Part Number	Cross. ref.	List Price	Diameters				F = 2-7/16 inches					Approx. Wt. (lbs.)
			Outside	Datum A Belts	Datum B Belts	Pitch 5V Belts	H	Type	B	L	E	
3VV136	3B5V136	139.48	13.88	13.2	13.6	13.7	5/32	4A	B	1-15/16	17/32	24.9
3VV154	3B5V154	175.47	15.68	15	15.4	15.5	5/32	4A	B	1-15/16	17/32	30.4
3VV160	3B5V160	185.28	16.28	15.6	16	16.1	5/32	4A	B	1-15/16	17/32	31.7
3VV184*	3B5V184	211.45	18.68	18	18.4	18.5	5/32	4A	B	1-15/16	17/32	40.9
3VV200*	3B5V200	282.07	20.28	19.5	20	20.1	5/32	4A	B	1-15/16	17/32	47.6
3VV234*	3B5V234	346.59	23.68	22.9	23.4	23.5	5/32	4A	B	1-15/16	17/32	61.5
3VV250*	3B5V250	376.94	25.28	24.5	25	25.1	5/32	4A	B	1-15/16	17/32	66.6
3VV278*	3B5V278	394.59	28.08	27.3	27.8	27.9	5/32	4A	B	1-15/16	17/32	79.1

* Please contact Baldor for lead time

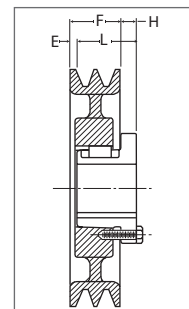
4 Grooves

Part Number	Cross ref.	List Price	Diameters				F = 3-5/32 inches					Approx. Wt. (lbs.)
			Outside	Datum A Belts	Datum B Belts	Pitch 5V Belts	H	Type	B	L	E	
4VV42	4B5V42	65.76	4.48	3.8	4.2	4.3	5/8	5	P1	1-15/16	1-27/32	5.9
4VV44	4B5V44	67.39	4.68	4.0	4.4	4.5	3/64	3	P1	1-15/16	1-17/64	6.3
4VV46	4B5V46	69.03	4.88	4.2	4.6	4.7	3/4	5	B	1-15/16	1-29/32	6.1
4VV48	4B5V48	70.66	5.08	4.4	4.8	4.9	3/4	5	B	1-15/16	1-29/32	6.7
4VV50	4B5V50	72.30	5.28	4.6	5.0	5.1	3/4	5	B	1-15/16	1-29/32	7.4
4VV52	4B5V52	73.93	5.48	4.8	5.2	5.3	3/4	5	B	1-15/16	1-29/32	8.0
4VV54	4B5V54	75.57	5.68	5.0	5.4	5.5	-	3	B	1-15/16	61/64	8.9
4VV56	4B5V56	77.21	5.88	5.2	5.6	5.7	-	3	B	1-15/16	57/64	9.5
4VV58	4B5V58	78.84	6.08	5.4	5.8	5.9	-	3	B	1-15/16	57/64	10.3
4VV60	4B5V60	80.48	6.28	5.6	6.0	6.1	-	3	B	1-15/16	57/64	11.0
4VV62	4B5V62	82.11	6.48	5.8	6.2	6.3	-	3	B	1-15/16	57/64	11.3
4VV64	4B5V64	85.38	6.68	6.0	6.4	6.5	-	3	B	1-15/16	57/64	12.1
4VV66	4B5V66	88.66	6.88	6.2	6.6	6.7	-	3	B	1-15/16	57/64	12.0
4VV68	4B5V68	91.93	7.08	6.4	6.8	6.9	-	3	B	1-15/16	57/64	12.6
4VV70	4B5V70	100.22	7.28	6.6	7.0	7.1	-	4W	B	1-15/16	57/64	13.2
4VV74	4B5V74	103.49	7.68	7.0	7.4	7.5	-	4W	B	1-15/16	57/64	14.5
4VV80	4B5V80	106.77	8.28	7.6	8.0	8.1	-	4A	B	1-15/16	57/64	15.2
4VV86	4B5V86	113.31	8.88	8.2	8.6	8.7	-	4A	B	1-15/16	57/64	16.6
4VV90	4B5V90	119.04	9.28	8.6	9.0	9.1	-	4A	B	1-15/16	57/64	17.6
4VV94	4B5V94	124.76	9.68	9.0	9.4	9.5	-	4A	B	1-15/16	57/64	20.0
4VV110	4B5V110	136.21	11.28	10.6	11.0	11.1	-	4A	B	1-15/16	57/64	22.8
4VV124	4B5V124	150.93	12.68	12.0	12.4	12.5	-	4A	B	1-15/16	57/64	26.5
4VV136	4B5V136	178.74	13.88	13.2	13.6	13.7	-	4A	B	1-15/16	57/64	30.7
4VV154	4B5V154	200.29	15.68	15.0	15.4	15.5	-	4A	B	1-15/16	57/64	37.9
4VV160	4B5V160	216.64	16.28	15.6	16.0	16.1	-	4A	B	1-15/16	57/64	40.5
4VV184*	4B5V184	229.73	18.68	18.0	18.4	18.5	-	4A	B	1-15/16	57/64	50.7
4VV200*	4B5V200	314.79	20.28	19.5	20.0	20.1	-	4A	B	1-15/16	57/64	58.5
4VV234*	4B5V234	399.92	23.68	22.9	23.4	23.5	-	4A	B	1-15/16	57/64	73.9
4VV250*	4B5V250	439.98	25.28	24.5	25.0	25.1	-	4A	B	1-15/16	57/64	83.8
4VV278*	4B5V278	470.41	28.08	27.3	27.8	27.9	-	4A	B	1-15/16	57/64	94.3

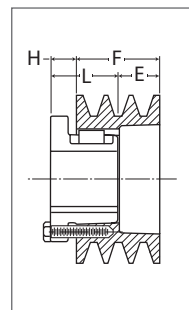
* Please contact Baldor for lead time



TYPE 3



TYPE 4



TYPE 5

TB Sheaves (Split taper)



Features: Used with conventional A and B belts. Available in 1 to 4 grooves. P1 Bushing used with the majority of the TB Sheaves. General industrial applications

Note: The type of sheave construction is indicated in the column entitled Type. The number refers to the drawing and the letter as follows:

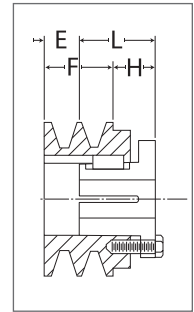
A = arms; B = block; W = web.

How to order: Example: 2TB154; 2 = Number of grooves. TB = Split taper type sheaves, 154 = Datum diameter for B belts (15.4")

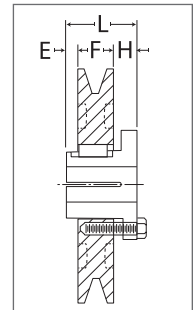
1 Grooves

Part Number	Cross. Ref.	List Price	Diameters			F = 1 inch					Approx. Wt. (lbs.)
			Outside	Datum A Belts	Datum B Belts	H	Type	B	L	E	
1TB34	1TB34	24.47	3.75	3	3.4	1-1/16	2	P1	1-15/16	1/8	2
1TB36	1TB36	25.30	3.95	3.6	3.2	1-1/16	2	P1	1-15/16	1/8	2.3
1TB38	1TB38	26.07	4.15	3.4	3.8	1-1/16	2	P1	1-15/16	1/8	2.6
1TB40	1TB40	26.90	4.35	3.6	4	5/8	10B	P1	1-15/16	5/16	2.1
1TB42	1TB42	27.70	4.55	3.8	4.2	5/8	10B	P1	1-15/16	5/16	2.4
1TB44	1TB44	28.53	4.75	4	4.4	5/8	10B	P1	1-15/16	5/16	2.8
1TB46	1TB46	31.60	4.95	4.2	4.6	5/8	10B	P1	1-15/16	5/16	3.1
1TB48	1TB48	32.40	5.15	4.4	4.8	5/8	10B	P1	1-15/16	5/16	3.5
1TB50	1TB50	33.20	5.35	4.6	5	5/8	10B	P1	1-15/16	5/16	3.9
1TB52	1TB52	34.20	5.55	4.8	5.2	5/8	10B	P1	1-15/16	5/16	4.1
1TB54	1TB54	34.83	5.75	5	5.4	5/8	10B	P1	1-15/16	5/16	4.6
1TB56	1TB56	35.67	5.95	5.2	5.6	5/8	10B	P1	1-15/16	5/16	5.1
1TB58	1TB58	36.43	6.15	5.4	5.8	5/8	10B	P1	1-15/16	5/16	5.6
1TB60	1TB60	38.07	6.35	5.6	6	5/8	10W	P1	1-15/16	5/16	6
1TB62	1TB62	39.70	6.55	5.8	6.2	5/8	10W	P1	1-15/16	5/16	5.5
1TB64	1TB64	41.30	6.75	6	6.4	5/8	10W	P1	1-15/16	5/16	5.8
1TB66	1TB66	44.53	6.95	6.2	6.6	5/8	10W	P1	1-15/16	5/16	5.9
1TB68	1TB68	46.17	7.15	6.4	6.8	5/8	10W	P1	1-15/16	5/16	6.1
1TB70	1TB70	47.80	7.35	6.6	7	25/32	16A	P1	1-15/16	5/32	6.4
1TB74	1TB74	51.03	7.75	7	7.4	25/32	16A	P1	1-15/16	5/32	7.3
1TB80	1TB80	52.63	8.35	7.6	8	25/32	16A	P1	1-15/16	5/32	7.8
1TB86	1TB86	55.90	8.95	8.2	8.6	25/32	16A	P1	1-15/16	5/32	8.6
1TB90	1TB90	56.70	9.35	8.6	9	25/32	16A	P1	1-15/16	5/32	8.9
1TB94	1TB94	57.50	9.75	9	9.4	25/32	16A	P1	1-15/16	5/32	9.1
1TB110	1TB110	67.23	11.35	10.6	11	25/32	16A	P1	1-15/16	5/32	11.1
1TB124	1TB124	68.33	12.75	12	12.4	1-1/8	16A	Q1	2-1/2	3/8	17.8
1TB136	1TB136	73.20	13.95	13.2	13.6	1-1/8	16A	Q1	2-1/2	3/8	18.2
1TB154	1TB154	98.33	15.75	15	15.4	1-1/8	16A	Q1	2-1/2	3/8	20.3
1TB160	1TB160	114.53	16.35	15.6	16	1-1/8	16A	Q1	2-1/2	3/8	22
1TB184*	1TB184	130.73	18.75	18	18.4	1-1/8	16A	Q1	2-1/2	3/8	27.5
1TB200*	1TB200	190.67	20.35	19.5	20	1-1/8	16A	Q1	2-1/2	3/8	27.2
1TB250*	1TB250	243.97	25.35	24.5	25	1-1/8	16A	Q1	2-1/2	3/8	42.4
1TB300*	1TB300	365.93	30.35	29.5	30	1-1/8	16A	Q1	2-1/2	3/8	56
1TB380*	1TB380	531.87	38.35	37.5	38	1-1/8	16A	Q1	2-1/2	3/8	78

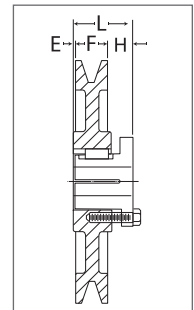
* Please contact Baldor for lead time



TYPE 2



TYPE 10



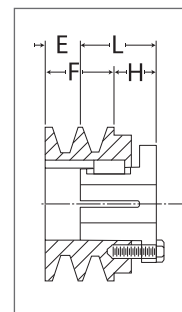
TYPE 16

TB Sheaves

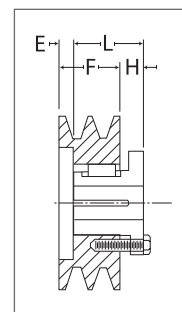
2 Grooves

Part Number	Cross. Ref.	List Price	Diameters			F = 1-3/4 inches					Approx. Wt. (lbs.)
			Outside	Datum A Belts	Datum B Belts	H	Type	B	L	E	
2TB34	2TB34	34.17	3.75	3	3.4	1-1/16	2	P1	1-15/16	7/8	2.9
2TB36	2TB36	35.80	3.95	3.2	3.6	1-1/16	2	P1	1-15/16	7/8	3.8
2TB38	2TB38	37.43	4.15	3.4	3.8	5/8	5	P1	1-15/16	7/16	3
2TB40	2TB40	39.03	4.35	3.6	4	5/8	5	P1	1-15/16	7/16	3.8
2TB42	2TB42	40.67	4.55	3.8	4.2	5/8	5	P1	1-15/16	7/16	3.9
2TB44	2TB44	42.23	4.75	4	4.4	3/16	13B	P1	1-15/16	0	3.9
2TB46	2TB46	46.17	4.95	4.2	4.6	3/16	13B	P1	1-15/16	0	4.5
2TB48	2TB48	47.80	5.15	4.4	4.8	3/16	13B	P1	1-15/16	0	5.3
2TB50	2TB50	49.40	5.35	4.6	5	3/16	13B	P1	1-15/16	0	5.6
2TB52	2TB52	51.03	5.55	4.8	5.2	3/16	13B	P1	1-15/16	0	6.1
2TB54	2TB54	52.63	5.75	5	5.4	3/16	13B	P1	1-15/16	0	6.5
2TB56	2TB56	54.27	5.95	5.2	5.6	3/16	13B	P1	1-15/16	0	7.4
2TB58	2TB58	55.90	6.15	5.4	5.8	3/16	13B	P1	1-15/16	0	8
2TB60	2TB60	57.50	6.35	5.6	6	3/16	13B	P1	1-15/16	0	8.9
2TB62	2TB62	59.13	6.55	5.8	6.2	3/16	13W	P1	1-15/16	0	7.6
2TB64	2TB64	60.73	6.75	6	6.4	3/16	13W	P1	1-15/16	0	7.8
2TB66	2TB66	61.57	6.95	6.2	6.6	3/16	13W	P1	1-15/16	0	8.3
2TB68	2TB68	62.37	7.15	6.4	6.8	3/16	13W	P1	1-15/16	0	8.8
2TB70	2TB70	62.67	7.35	6.6	7	3/4	13W	Q1	2-1/2	0	11.1
2TB74	2TB74	63.50	7.75	7	7.4	3/4	13W	Q1	2-1/2	0	11.5
2TB80	2TB80	64.30	8.35	7.6	8	3/4	13W	Q1	2-1/2	0	12.8
2TB86	2TB86	65.93	8.95	8.2	8.6	3/4	13W	Q1	2-1/2	0	16
2TB90	2TB90	66.73	9.35	8.6	9	3/4	13A	Q1	2-1/2	0	15.1
2TB94	2TB94	67.53	9.75	9	9.4	3/4	13A	Q1	2-1/2	0	15.5
2TB110	2TB110	78.87	11.35	10.6	11	3/4	13A	Q1	2-1/2	0	18.9
2TB124	2TB124	85.37	12.75	12	12.4	3/4	13A	Q1	2-1/2	0	21.1
2TB136	2TB136	101.57	13.95	13.2	13.6	3/4	13A	Q1	2-1/2	0	23
2TB154	2TB154	140.43	15.75	15	15.4	3/4	13A	Q1	2-1/2	0	24.8
2TB160	2TB160	148.53	16.35	15.6	16	3/4	13A	Q1	2-1/2	0	27
2TB184*	2TB184	185.80	18.75	18	18.4	3/4	13A	Q1	2-1/2	0	32.8
2TB200*	2TB200	220.60	20.35	19.5	20	3/4	13A	Q1	2-1/2	0	42.3
2TB250*	2TB250	330.77	25.35	24.5	25	3/4	13A	Q1	2-1/2	0	50.3
2TB300*	2TB300	366.40	30.35	29.5	30	3/4	13A	Q1	2-1/2	0	68.8
2TB380*	2TB380	690.40	38.35	37.5	38	3/4	13A	Q1	2-1/2	0	95.5

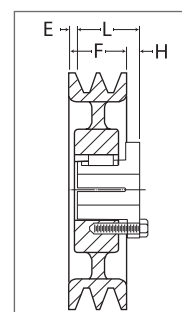
* Please contact Baldor for lead time



TYPE 2



TYPE 5



TYPE 13

3 Grooves

Part Number	Cross. Ref.	List Price	Diameters			F = 2-1/2 inches					Approx. Wt. (lbs.)
			Outside	Datum A Belts	Datum B Belts	H	Type	B	L	E	
3TB34	3TB34	38.00	3.75	3	3.4	1-1/16	3	P2	2-15/16	5/8	3.8
3TB36	3TB36	39.63	3.95	3.2	3.6	1-1/16	3	P2	2-15/16	5/8	4.4
3TB38	3TB38	42.27	4.15	3.4	3.8	5/8	5	P1	1-15/16	1-3/16	3.8
3TB40	3TB40	43.90	4.35	3.6	4	5/8	5	P1	1-15/16	1-3/16	4.5
3TB42	3TB42	45.53	4.55	3.8	4.2	5/8	5	P1	1-15/16	1-3/16	4.9
3TB44	3TB44	47.13	4.75	4	4.4	0	13B	P1	1-15/16	9/16	5.1
3TB46	3TB46	54.27	4.95	4.2	4.6	0	13W	P1	1-15/16	9/16	6
3TB48	3TB48	55.90	5.15	4.4	4.8	0	13W	P1	1-15/16	9/16	6.3
3TB50	3TB50	57.50	5.35	4.6	5	0	13W	P1	1-15/16	9/16	6.9
3TB52	3TB52	59.13	5.55	4.8	5.2	0	13W	P1	1-15/16	9/16	7.5
3TB54	3TB54	60.73	5.75	5	5.4	0	13W	P1	1-15/16	9/16	8.3
3TB56	3TB56	62.37	5.95	5.2	5.6	0	13W	P1	1-15/16	9/16	9
3TB58	3TB58	64.00	6.15	5.4	5.8	0	13W	P1	1-15/16	9/16	9.6
3TB60	3TB60	65.60	6.35	5.6	6	0	13W	P1	1-15/16	9/16	10.5
3TB62	3TB62	67.23	6.55	5.8	6.2	0	13W	P1	1-15/16	9/16	9.4
3TB64	3TB64	70.47	6.75	6	6.4	0	13W	P1	1-15/16	9/16	9.5
3TB66	3TB66	72.10	6.95	6.2	6.6	0	13W	P1	1-15/16	9/16	10
3TB68	3TB68	73.70	7.15	6.4	6.8	0	13W	P1	1-15/16	9/16	10.4

For more details and additional products, see complete Baldor•Maska® Product Catalog or www.baldor.com

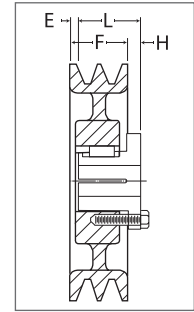
Motor Accessories
PT Components
Grinders
Baldor Mod Express
ABB Mod Express
ABB ATEX Mod Express
Product Index

TB Sheaves

3 Grooves (cont.)

Part Number	Cross. Ref.	List Price	Diameters			F = 2-1/2 inches					Approx. Wt. (lbs.)
			Outside	Datum A Belts	Datum B Belts	H	Type	B	L	E	
3TB70	3TB70	70.77	7.35	6.6	7	3/8	13W	Q1	2-1/2	3/8	13
3TB74	3TB74	72.40	7.75	7	7.4	3/8	13W	Q1	2-1/2	3/8	13.3
3TB80	3TB80	75.63	8.35	7.6	8	3/8	13W	Q1	2-1/2	3/8	15.3
3TB86	3TB86	82.13	8.95	8.2	8.6	3/8	13W	Q1	2-1/2	3/8	18.9
3TB90	3TB90	85.37	9.35	8.6	9	3/8	13A	Q1	2-1/2	3/8	18.1
3TB94	3TB94	88.60	9.75	9	9.4	3/8	13A	Q1	2-1/2	3/8	18
3TB110	3TB110	104.80	11.35	10.6	11	3/8	13A	Q1	2-1/2	3/8	21.3
3TB124	3TB124	121.00	12.75	12	12.4	3/8	13A	Q1	2-1/2	3/8	25.4
3TB136	3TB136	130.73	13.95	13.2	13.6	3/8	13A	Q1	2-1/2	3/8	27.4
3TB154*	3TB154	166.37	15.75	15	15.4	3/8	13A	Q1	2-1/2	3/8	29.8
3TB160*	3TB160	176.07	16.35	15.6	16	3/8	13A	Q1	2-1/2	3/8	32
3TB184*	3TB184	201.93	18.75	18	18.4	3/8	13A	Q1	2-1/2	3/8	37.8
3TB200*	3TB200	272.47	20.35	19.5	20	3/8	13A	Q1	2-1/2	3/8	49.9
3TB250*	3TB250	366.40	25.35	24.5	25	3/8	13A	Q1	2-1/2	3/8	61
3TB300*	3TB300	415.00	30.35	29.5	30	3/8	13A	Q1	2-1/2	3/8	78.5
3TB380*	3TB380	756.83	38.35	37.5	38	3/8	13A	Q1	2-1/2	3/8	110

* Please contact Baldor for lead time



TYPE 13

Motor
Accessories

PT Components

Grinders

Baldor
Mod Express

ABB
Mod Express

ABB ATEX
Mod Express

Product
Index

Classical A/B Combination, C & D



Features: Complete line in stock, including larger models. Designed for use with QD bushing & corresponding belts. A/B models from 1-6; 8; 10 grooves. C model from 1-6; 8; 10; 12 grooves. D model from 3-6; 8; 10; 12 grooves.

Note: DO NOT use these gray cast iron sheaves with rim speeds in excess of 6500 feet per minute.

How to order: Example: 6B70; 6=Number of grooves. B = "A/B" Combination sheave section. 70 = Datum diameter for "B" belts (7.0")

"A/B" COMBINATION 1 GROOVE

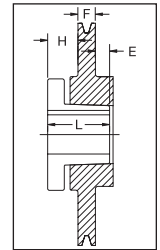
Dimensions

Part Number	List Price	Mult. Sym.	Datum dia.		O.D.	F = 7/8 up to 7.15 O.D. & 1 inch thereafter					
			A(4L) Belts	B(5L) Belts		H	Type	B	L	E	Approx. Wt. (lbs)
1B34 ¹	26.00	QDS05	3.0	3.4	3.75	5/8	11B	SH	1-1/4	1/4	1.2
1B36	27.00	QDS05	3.2	3.6	3.95	1/2	6B	SH	1-1/4	1/8	1.3
1B38	28.00	QDS05	3.4	3.8	4.15	1/2	6B	SH	1-1/4	1/8	1.6
1B40	29.00	QDS05	3.6	4.0	4.35	1/2	6B	SH	1-1/4	1/8	1.9
1B42	30.00	QDS05	3.8	4.2	4.55	1/2	6B	SH	1-1/4	1/8	2.1
1B44	31.00	QDS05	4.0	4.4	4.75	1/2	6B	SH	1-1/4	1/8	2.4
1B46	32.00	QDS05	4.2	4.6	4.95	7/16	7B	SDS	1-5/16	0	2.4
1B48	33.00	QDS05	4.4	4.8	5.15	7/16	7B	SDS	1-5/16	0	2.8
1B50	34.00	QDS05	4.6	5.0	5.35	7/16	7B	SDS	1-5/16	0	3.1
1B52	35.00	QDS05	4.8	5.2	5.55	7/16	7B	SDS	1-5/16	0	3.3
1B54	36.00	QDS05	5.0	5.4	5.75	7/16	7B	SDS	1-5/16	0	3.7
1B56	37.00	QDS05	5.2	5.6	5.95	7/16	7B	SDS	1-5/16	0	4.0
1B58	38.00	QDS05	5.4	5.8	6.15	7/16	7B	SDS	1-5/16	0	4.3
1B60	40.00	QDS05	5.6	6.0	6.35	7/16	7B	SDS	1-5/16	0	4.7
1B62	42.00	QDS05	5.8	6.2	6.55	7/16	7B	SDS	1-5/16	0	5.1
1B64	44.00	QDS05	6.0	6.4	6.75	7/16	7B	SDS	1-5/16	0	5.4
1B66	48.00	QDS05	6.2	6.6	6.95	7/16	7B	SDS	1-5/16	0	5.5
1B68	50.00	QDS05	6.4	6.8	7.15	7/16	7B	SDS	1-5/16	0	5.5
1B70	52.00	QDS05	6.6	7.0	7.35	9/16	6A	SDS	1-5/16	1/4	6.0
1B74	56.00	QDS05	7.0	7.4	7.75	9/16	6A	SDS	1-5/16	1/4	6.3
1B80	58.00	QDS05	7.6	8.0	8.35	9/16	6A	SDS	1-5/16	1/4	6.7
1B86	62.00	QDS05	8.2	8.6	8.95	9/16	6A	SDS	1-5/16	1/4	7.7
1B90	63.00	QDS05	8.6	9.0	9.35	9/16	6A	SDS	1-5/16	1/4	8.6
1B94	64.00	QDS05	9.0	9.4	9.75	9/16	6A	SDS	1-5/16	1/4	9.1
1B110	76.00	QDS05	10.6	11.0	11.35	9/16	6A	SDS	1-5/16	1/4	11.4
1B124	90.00	QDS05	12.0	12.4	12.75	9/16	6A	SDS	1-5/16	1/4	13.0
1B136	96.00	QDS05	13.2	13.6	13.95	9/16	6A	SDS	1-5/16	1/4	13.3
1B154	116.00	QDS05	15.0	15.4	15.75	11/16	5A	SK	1-7/8	3/16	20.7
1B160	136.00	QDS05	15.6	16.0	16.35	7/8	3A	SK	1-7/8	0	22.1
1B184	156.00	QDS05	18.0	18.4	18.75	15/16	10A	SK	1-7/8	1/16	26.0
1B200	230.00	QDS05	19.6	20.0	20.35	13/16	5A	SK	1-7/8	1/16	28.2
1B250	350.00	QDS05	24.6	25.0	25.35	15/16	10A	SK	1-7/8	1/16	39.6

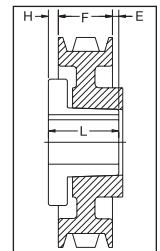
P.D. for "A" (4L) Belts = Datum Dia. + .35" = O.D. - .40 P.D. for "B" (5L) Belts = O.D. 1 Reverse mount only.

Type of sheave "T": A = arms; B = block; W = web

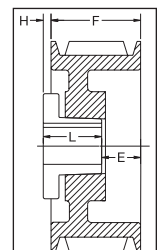
For more details and additional products, see complete Baldor•Maska® Product Catalog or www.baldor.com



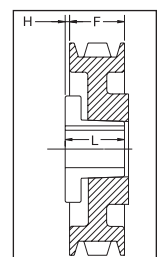
TYPE 3



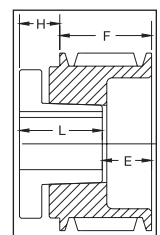
TYPE 5



TYPE 6



TYPE 7



TYPE 10

"A/B" COMBINATION 2 GROOVES

Dimensions

Part Number	List Price	Mult. Sym.	Datum dia.		O.D.	F = 1-3/4 inches					Approx.Wt. (lbs)
			A(4L) Belts	B(5L) Belts		H	Type	B	L	E	
2B341*	38.00	QDS05	3.0	3.4	3.75	5/8	11B	SH	1-1/4	1-1/8	2.5
2B36 ²	40.00	QDS05	3.2	3.6	3.95	15/32	6B	SH	1-1/4	31/32	2.5
2B38 ²	42.00	QDS05	3.4	3.8	4.15	15/32	6B	SH	1-1/4	31/32	2.9
2B40 ²	44.00	QDS05	3.6	4.0	4.35	15/32	6B	SH	1-1/4	31/32	3.4
2B42*	46.00	QDS05	3.8	4.2	4.55	1/16	1B	SH	1-1/4	7/16	3.5
2B44	48.00	QDS05	4.0	4.4	4.75	1/16	1B	SH	1-1/4	7/16	3.8
2B46*	50.00	QDS05	4.2	4.6	4.95	0	4B	SDS	1-5/16	7/16	3.9
2B48	52.00	QDS05	4.4	4.8	5.15	0	4B	SDS	1-5/16	7/16	4.3
2B50	54.00	QDS05	4.6	5.0	5.35	0	4B	SDS	1-5/16	7/16	4.8
2B52	56.00	QDS05	4.8	5.2	5.55	0	4B	SDS	1-5/16	7/16	5.2
2B54	58.00	QDS05	5.0	5.4	5.75	0	4B	SDS	1-5/16	7/16	5.6
2B56	60.00	QDS05	5.2	5.6	5.95	0	4B	SDS	1-5/16	7/16	6.0
2B58	62.00	QDS05	5.4	5.8	6.15	0	4W	SDS	1-5/16	7/16	6.1
2B60	64.00	QDS05	5.6	6.0	6.35	0	4W	SDS	1-5/16	7/16	6.5
2B62	66.00	QDS05	5.8	6.2	6.55	0	4W	SDS	1-5/16	7/16	6.8
2B64	68.00	QDS05	6.0	6.4	6.75	0	4W	SDS	1-5/16	7/16	7.4
2B66	69.00	QDS05	6.2	6.6	6.95	0	4W	SDS	1-5/16	7/16	7.6
2B68	71.00	QDS05	6.4	6.8	7.15	0	4W	SDS	1-5/16	7/16	7.9
2B70	72.00	QDS05	6.6	7.0	7.35	3/8	6W	SK	1-7/8	1/4	9.3
2B74	73.00	QDS05	7.0	7.4	7.75	3/8	6W	SK	1-7/8	1/4	10.5
2B80	74.00	QDS05	7.6	8.0	8.35	3/8	6W	SK	1-7/8	1/4	11.6
2B86	76.00	QDS05	8.2	8.6	8.95	3/8	6A	SK	1-7/8	1/4	11.7
2B90	77.00	QDS05	8.6	9.0	9.35	3/8	6A	SK	1-7/8	1/4	12.2
2B94	78.00	QDS05	9.0	9.4	9.75	3/8	6A	SK	1-7/8	1/4	13.3
2B110	92.00	QDS05	10.6	11.0	11.35	3/8	6A	SK	1-7/8	1/4	15.1
2B124	100.00	QDS05	12.0	12.4	12.75	9/16	6A	SK	1-7/8	7/16	18.4
2B136	120.00	QDS05	13.2	13.6	13.95	3/8	6A	SK	1-7/8	1/4	23.5
2B154	168.00	QDS05	15.0	15.4	15.75	3/8	6A	SK	1-7/8	1/4	26.4
2B160	178.00	QDS05	15.6	16.0	16.35	3/8	6A	SK	1-7/8	1/4	28.1
2B184	224.00	QDS05	18.0	18.4	18.75	3/8	6A	SK	1-7/8	1/4	36.0
2B200	260.00	QDS05	19.6	20.0	20.35	11/16	6A	SF	2	7/16	37.0
2B250	396.00	QDS05	24.6	25.0	25.35	3/8	6A	SF	2	1/8	66.0
2B300	440.00	QDS05	29.6	30.0	30.35	7/16	6A	SF	2	3/16	73.3
2B380	840.00	QDS05	37.6	38.0	38.35	11/32	6A	SF	2	3/32	95.0

P.D. for "A" (4L) Belts = Datum Dia. + .35" = O.D. - .40

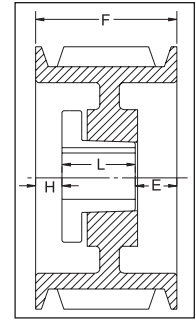
P.D. for "B" (5L) Belts = O.D.

1 Reverse mount only.

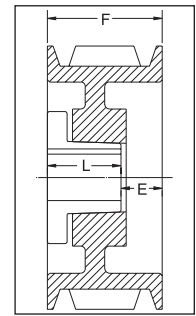
2 This sheave can only be reverse mounted with standard bushing bolts. Specials bolts (not provided by Baldor) are required for standard mount.

* Mounting bolts are supplied by Baldor with these parts.

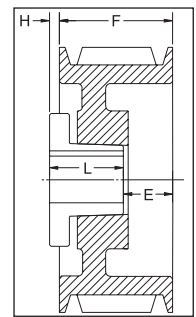
Type of sheave "T": A = arms; B = block; W = web



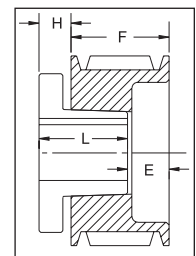
TYPE 1



TYPE 4



TYPE 6



TYPE 11

“A/B” COMBINATION

3 GROOVES

Dimensions

Part Number	List Price	Mult. Sym.	Datum dia.		O.D.	F = 2-1/2 inches					Approx. Wt. (lbs)
			“A” Belts	“B” Belts		H	Type	B	L	E	
3B341*	44.00	QDS05	3.0	3.4	3.75	5/8	11B	SH	1-1/4	1-7/8	3.3
3B36 ¹	46.00	QDS05	3.2	3.6	3.95	1/2	6B	SH	1-1/4	1-3/4	3.6
3B38 ¹	48.00	QDS05	3.4	3.8	4.15	1/2	6B	SH	1-1/4	1-3/4	4.0
3B40 ¹	50.00	QDS05	3.6	4.0	4.35	5/8	11B	SH	1-1/4	1-7/8	4.3
3B42*	52.00	QDS05	3.8	4.2	4.55	7/16	1B	SH	1-1/4	13/16	4.5
3B44	54.00	QDS05	4.0	4.4	4.75	7/16	1B	SH	1-1/4	13/16	5.0
3B46*	56.00	QDS05	4.2	4.6	4.95	3/8	1B	SD	1-13/16	5/16	5.6
3B48	58.00	QDS05	4.4	4.8	5.15	3/8	1B	SD	1-13/16	5/16	6.2
3B50	60.00	QDS05	4.6	5.0	5.35	3/8	1B	SD	1-13/16	5/16	6.9
3B52	62.00	QDS05	4.8	5.2	5.55	3/8	1B	SD	1-13/16	5/16	7.5
3B54	64.00	QDS05	5.0	5.4	5.75	3/8	1B	SD	1-13/16	5/16	8.1
3B56	66.00	QDS05	5.2	5.6	5.95	3/8	1B	SD	1-13/16	5/16	8.7
3B58	68.00	QDS05	5.4	5.8	6.15	3/8	1W	SD	1-13/16	5/16	9.0
3B60	70.00	QDS05	5.6	6.0	6.35	3/8	1W	SD	1-13/16	5/16	9.5
3B62	72.00	QDS05	5.8	6.2	6.55	3/8	1W	SD	1-13/16	5/16	9.6
3B64	76.00	QDS05	6.0	6.4	6.75	3/8	1W	SD	1-13/16	5/16	10.3
3B66	78.00	QDS05	6.2	6.6	6.95	3/8	1W	SD	1-13/16	5/16	10.4
3B68	80.00	QDS05	6.4	6.8	7.15	3/8	1W	SD	1-13/16	5/16	10.7
3B70	82.00	QDS05	6.6	7.0	7.35	1/8	6W	SK	1-7/8	3/4	11.9
3B74	84.00	QDS05	7.0	7.4	7.75	1/8	6W	SK	1-7/8	3/4	12.4
3B80	88.00	QDS05	7.6	8.0	8.35	1/8	6W	SK	1-7/8	3/4	13.4
3B86	96.00	QDS05	8.2	8.6	8.95	1/8	6A	SK	1-7/8	3/4	13.7
3B90	100.00	QDS05	8.6	9.0	9.35	1/8	6A	SK	1-7/8	3/4	15.0
3B94	104.00	QDS05	9.0	9.4	9.75	1/8	6A	SK	1-7/8	3/4	16.2
3B110	124.00	QDS05	10.6	11.0	11.35	1/8	6A	SK	1-7/8	3/4	21.9
3B124	144.00	QDS05	12.0	12.4	12.75	1/8	6A	SK	1-7/8	3/4	25.0
3B136	156.00	QDS05	13.2	13.6	13.95	1/8	6A	SK	1-7/8	3/4	28.1
3B154	200.00	QDS05	15.0	15.4	15.75	1/8	6A	SK	1-7/8	3/4	30.8
3B160	212.00	QDS05	15.6	16.0	16.35	1/8	6A	SK	1-7/8	3/4	31.7
3B184	244.00	QDS05	18.0	18.4	18.75	1/8	6A	SK	1-7/8	3/4	41.6
3B200	324.00	QDS05	19.6	20.0	20.35	3/16	6A	SF	2	11/16	49.0
3B250	440.00	QDS05	24.6	25.0	25.35	3/16	6A	SF	2	11/16	67.0
3B300	500.00	QDS05	29.6	30.0	30.35	3/16	6A	SF	2	11/16	96.0
3B380	880.00	QDS07	37.6	38.0	38.35	3/8	6A	E	2-5/8	1/4	145.0

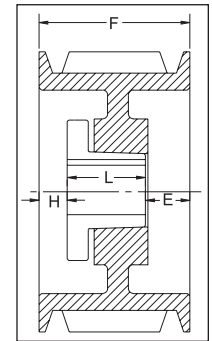
P.D. for “A” (4L) Belts = Datum Dia. + .35” = O.D. - .40

P.D. for “B” (5L) Belts = O.D.

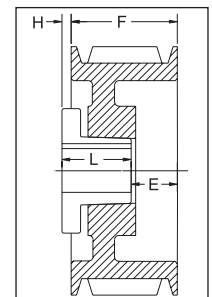
¹ Reverse mount only.

* Mounting bolts are supplied by Baldor with these parts.

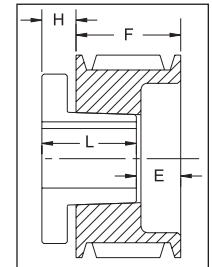
Type of sheave “T”: A = arms; B = block; W = web



TYPE 1



TYPE 6



TYPE 11

"A/B" COMBINATION

4 GROOVES

Dimensions

Part Number	List Price	Mult. Sym.	Datum dia.		O.D.	F = 3-1/4 inches					Approx. Wt. (lbs)
			"A" Belts	"B" Belts		H	Type	B	L	E	
4B341*	64.00	QDS05	3.0	3.4	3.75	1	10B	SD	1-13/16	2-7/16	4.2
4B361*	66.00	QDS05	3.2	3.6	3.95	1	10B	SD	1-13/16	2-7/16	4.7
4B381*	68.00	QDS05	3.4	3.8	4.15	1	10B	SD	1-13/16	2-7/16	5.1
4B401*	70.00	QDS05	3.6	4.0	4.35	11/16	11B	SD	1-13/16	2-1/8	5.3
4B421*	72.00	QDS05	3.8	4.2	4.55	11/16	11B	SD	1-13/16	2-1/8	5.9
4B44*	74.00	QDS05	4.0	4.4	4.75	11/16	11B	SD	1-13/16	2-1/8	6.5
4B46*	76.00	QDS05	4.2	4.6	4.95	5/8	1B	SD	1-13/16	13/16	6.7
4B48	78.00	QDS05	4.4	4.8	5.15	5/8	1B	SD	1-13/16	13/16	7.4
4B50	80.00	QDS05	4.6	5.0	5.35	5/8	1B	SD	1-13/16	13/16	8.2
4B52	82.00	QDS05	4.8	5.2	5.55	5/8	1B	SD	1-13/16	13/16	8.9
4B54	84.00	QDS05	5.0	5.4	5.75	5/8	1B	SD	1-13/16	13/16	9.6
4B56	86.00	QDS05	5.2	5.6	5.95	5/8	1B	SD	1-13/16	13/16	10.4
4B58	88.00	QDS05	5.4	5.8	6.15	5/8	1W	SD	1-13/16	13/16	10.7
4B60	90.00	QDS05	5.6	6.0	6.35	5/8	1W	SD	1-13/16	13/16	11.0
4B62	92.00	QDS05	5.8	6.2	6.55	5/8	1W	SD	1-13/16	13/16	11.7
4B64	96.00	QDS05	6.0	6.4	6.75	5/8	1W	SD	1-13/16	13/16	11.7
4B66	100.00	QDS05	6.2	6.6	6.95	5/8	1W	SD	1-13/16	13/16	11.8
4B68	104.00	QDS05	6.4	6.8	7.15	5/8	1W	SD	1-13/16	13/16	12.5
4B70	108.00	QDS05	6.6	7.0	7.35	3/16	1W	SK	1-7/8	1-3/16	13.1
4B74	112.00	QDS05	7.0	7.4	7.75	3/16	1W	SK	1-7/8	1-3/16	14.9
4B80	116.00	QDS05	7.6	8.0	8.35	3/16	1W	SK	1-7/8	1-3/16	15.6
4B86	124.00	QDS05	8.2	8.6	8.95	3/16	1A	SK	1-7/8	1-3/16	17.2
4B90	131.00	QDS05	8.6	9.0	9.35	3/16	1A	SK	1-7/8	1-3/16	17.5
4B94	138.00	QDS05	9.0	9.4	9.75	3/16	1A	SK	1-7/8	1-3/16	19.0
4B110	152.00	QDS05	10.6	11.0	11.35	3/16	1A	SK	1-7/8	1-3/16	25.4
4B124	170.00	QDS05	12.0	12.4	12.75	3/16	1A	SK	1-7/8	1-3/16	28.7
4B136	204.00	QDS05	13.2	13.6	13.95	3/16	1A	SK	1-7/8	1-3/16	34.0
4B154	224.00	QDS05	15.0	15.4	15.75	3/16	1A	SF	2	1-1/16	37.8
4B160	244.00	QDS05	15.6	16.0	16.35	3/16	1A	SF	2	1-1/16	41.6
4B184	260.00	QDS05	18.0	18.4	18.75	3/16	1A	SF	2	1-1/16	48.0
4B200	364.00	QDS05	19.6	20.0	20.35	3/16	1A	SF	2	1-1/16	61.4
4B250	480.00	QDS05	24.6	25.0	25.35	1/16	6A	E	2-5/8	11/16	104.0
4B300	560.00	QDS05	29.6	30.0	30.35	1/16	6A	E	2-5/8	11/16	120.0
4B380	980.00	QDS07	37.6	38.0	38.35	0	4A	E	2-5/8	5/8	142.0

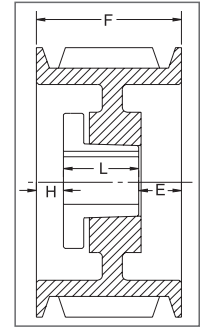
P.D. for "A" (4L) Belts = Datum Dia. + .35" = O.D. - .40

P.D. for "B" (5L) Belts = O.D.

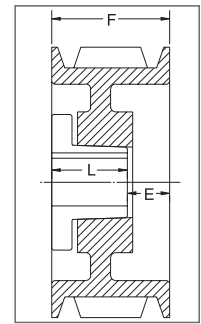
1 Reverse mount only.

* Mounting bolts are supplied by Baldor with these parts.

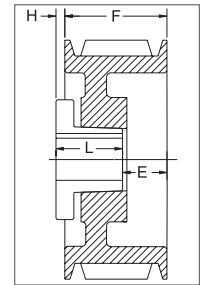
Type of sheave "T": A = arms; B = block; W = web



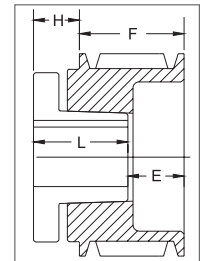
TYPE 1



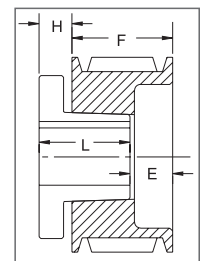
TYPE 4



TYPE 6



TYPE 10



TYPE 11

"A/B" COMBINATION

5 GROOVES

Dimensions

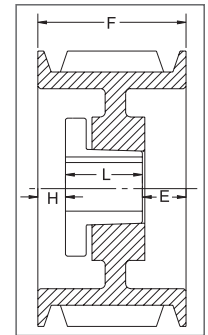
Part Number	List Price	Mult. Sym.	Datum dia.		O.D.	F = 4 inches					Approx. Wt. (lbs)
			"A" Belts	"B" Belts		H	Type	B	L	E	
5B341*	74.00	QDS05	3.0	3.4	3.75	1	10B	SD	1-13/16	3-3/16	4.9
5B361*	76.00	QDS05	3.2	3.6	3.95	1	10B	SD	1-13/16	3-3/16	5.7
5B381*	78.00	QDS05	3.4	3.8	4.15	1	10B	SD	1-13/16	3-3/16	6.1
5B401*	80.00	QDS05	3.6	4.0	4.35	11/16	11B	SD	1-13/16	2-7/8	6.3
5B421*	82.00	QDS05	3.8	4.2	4.55	11/16	11B	SD	1-13/16	2-7/8	7.0
5B441*	84.00	QDS05	4.0	4.4	4.75	11/16	11B	SD	1-13/16	2-7/8	7.7
5B46*	86.00	QDS05	4.2	4.6	4.95	5/8	1B	SD	1-13/16	1-9/16	7.7
5B48	90.00	QDS05	4.4	4.8	5.15	5/8	1B	SD	1-13/16	1-9/16	8.7
5B50	92.00	QDS05	4.6	5.0	5.35	5/8	1B	SD	1-13/16	1-9/16	9.6
5B52	94.00	QDS05	4.8	5.2	5.55	5/8	1B	SD	1-13/16	1-9/16	10.0
5B54	96.00	QDS05	5.0	5.4	5.75	1/2	1B	SK	1-7/8	1-5/8	10.3
5B56	98.00	QDS05	5.2	5.6	5.95	1/2	1B	SK	1-7/8	1-5/8	10.9
5B58	100.00	QDS05	5.4	5.8	6.15	1/2	1B	SK	1-7/8	1-5/8	11.6
5B60	106.00	QDS05	5.6	6.0	6.35	1/2	1B	SK	1-7/8	1-5/8	12.6
5B62	110.00	QDS05	5.8	6.2	6.55	1/2	1B	SK	1-7/8	1-5/8	13.5
5B64	116.00	QDS05	6.0	6.4	6.75	1/2	1B	SK	1-7/8	1-5/8	14.6
5B66	120.00	QDS05	6.2	6.6	6.95	1/2	1B	SK	1-7/8	1-5/8	15.0
5B68	124.00	QDS05	6.4	6.8	7.15	1/2	1B	SK	1-7/8	1-5/8	16.1
5B70	132.00	QDS05	6.6	7.0	7.35	1/2	1B	SF	2	1-1/2	16.5
5B74	150.00	QDS05	7.0	7.4	7.75	1/2	1B	SF	2	1-1/2	19.0
5B80	154.00	QDS05	7.6	8.0	8.35	1/2	1W	SF	2	1-1/2	19.4
5B86	164.00	QDS05	8.2	8.6	8.95	1/2	1W	SF	2	1-1/2	21.1
5B90	168.00	QDS05	8.6	9.0	9.35	1/2	1A	SF	2	1-1/2	22.4
5B94	172.00	QDS05	9.0	9.4	9.75	1/2	1A	SF	2	1-1/2	23.0
5B110	194.00	QDS05	10.6	11.0	11.35	1/2	1A	SF	2	1-1/2	29.1
5B124	208.00	QDS05	12.0	12.4	12.75	1/2	1A	SF	2	1-1/2	33.9
5B136	240.00	QDS05	13.2	13.6	13.95	1/2	1A	SF	2	1-1/2	39.5
5B154	268.00	QDS05	15.0	15.4	15.75	1/2	1A	SF	2	1-1/2	44.1
5B160	294.00	QDS05	15.6	16.0	16.35	1/2	1A	SF	2	1-1/2	49.7
5B184	316.00	QDS05	18.0	18.4	18.75	1/2	1A	SF	2	1-1/2	53.3
5B200	390.00	QDS05	19.6	20.0	20.35	3/16	1A	E	2-5/8	1-3/16	77.6
5B250	500.00	QDS05	24.6	25.0	25.35	3/16	1A	E	2-5/8	1-3/16	103.0
5B300	696.00	QDS05	29.6	30.0	30.35	3/16	1A	E	2-5/8	1-3/16	131.0
5B380	1080.00	QDS07	37.6	38.0	38.35	3/16	1A	E	2-5/8	1-3/16	169.0

P.D. for "A" (4L) Belts = Datum Dia. + .35" = O.D. - .40
P.D. for "B" (5L) Belts = O.D.

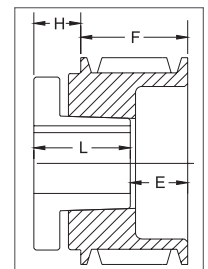
1 Reverse mount only.

* Mounting bolts are supplied by Baldor with these parts.

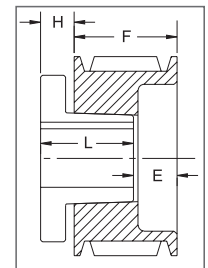
Type of sheave "T": A = arms; B = block; W = web



TYPE 1



TYPE 10



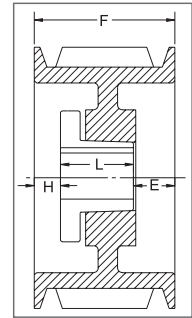
TYPE 11

"A/B" COMBINATION

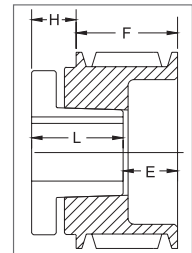
6 GROOVES

Dimensions

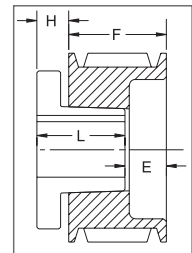
Part Number	List Price	Mult. Sym.	Datum dia.		O.D.	F = 4-3/4 inches					Approx. Wt. (lbs)
			"A" Belts	"B" Belts		H	Type	B	L	E	
6B34 ¹ *	98.00	QDS07	3.0	3.4	3.75	1-3/32	10B	SD	1-13/16	4-1/32	6.1
6B36 ¹ *	100.00	QDS07	3.2	3.6	3.95	1-3/32	10B	SD	1-13/16	4-1/32	7.2
6B38 ¹ *	102.00	QDS07	3.4	3.8	4.15	1-3/32	10B	SD	1-13/16	4-1/32	7.4
6B40 ¹ *	104.00	QDS07	3.6	4.0	4.35	11/16	11B	SD	1-13/16	3-5/8	8.1
6B42 ¹ *	106.00	QDS07	3.8	4.2	4.55	11/16	11B	SD	1-13/16	3-5/8	8.5
6B44 ¹ *	110.00	QDS07	4.0	4.4	4.75	11/16	11B	SD	1-13/16	3-5/8	8.8
6B46 [*]	112.00	QDS07	4.2	4.6	4.95	5/8	1B	SD	1-13/16	2-5/16	9.6
6B48	114.00	QDS07	4.4	4.8	5.15	5/8	1B	SD	1-13/16	2-5/16	9.9
6B50	116.00	QDS07	4.6	5.0	5.35	5/8	1B	SD	1-13/16	2-5/16	11.0
6B52	118.00	QDS07	4.8	5.2	5.55	5/8	1B	SD	1-13/16	2-5/16	11.6
6B54	120.00	QDS07	5.0	5.4	5.75	1/2	1B	SK	1-7/8	2-3/8	11.7
6B56	122.00	QDS07	5.2	5.6	5.95	1/2	1B	SK	1-7/8	2-3/8	12.8
6B58	124.00	QDS07	5.4	5.8	6.15	1/2	1B	SK	1-7/8	2-3/8	14.9
6B60	126.00	QDS07	5.6	6.0	6.35	1/2	1B	SK	1-7/8	2-3/8	14.3
6B62	130.00	QDS07	5.8	6.2	6.55	1/2	1B	SK	1-7/8	2-3/8	15.1
6B64	134.00	QDS07	6.0	6.4	6.75	1/2	1B	SK	1-7/8	2-3/8	16.9
6B66	138.00	QDS07	6.2	6.6	6.95	1/2	1B	SK	1-7/8	2-3/8	17.3
6B68	142.00	QDS07	6.4	6.8	7.15	1/2	1B	SK	1-7/8	2-3/8	18.5
6B70	150.00	QDS07	6.6	7.0	7.35	7/8	1B	SF	2	1-7/8	19.8
6B74	204.00	QDS07	7.0	7.4	7.75	7/8	1B	SF	2	1-7/8	20.9
6B80	208.00	QDS07	7.6	8.0	8.35	7/8	1W	SF	2	1-7/8	23.3
6B86	220.00	QDS07	8.2	8.6	8.95	7/8	1W	SF	2	1-7/8	25.6
6B94	230.00	QDS07	9.0	9.4	9.75	7/8	1W	SF	2	1-7/8	27.5
6B110	248.00	QDS07	10.6	11.0	11.35	7/8	1A	SF	2	1-7/8	31.2
6B124	276.00	QDS07	12.0	12.4	12.75	7/8	1A	SF	2	1-7/8	37.8
6B136	280.00	QDS07	13.2	13.6	13.95	1-3/32	1A	SF	2	1-21/32	43.7
6B154	300.00	QDS07	15.0	15.4	15.75	1-3/32	1A	SF	2	1-21/32	51.4
6B160	328.00	QDS07	15.6	16.0	16.35	7/8	1A	SF	2	1-7/8	54.7
6B184	348.00	QDS07	18.0	18.4	18.75	1-3/32	1A	SF	2	1-21/32	67.9
6B200	464.00	QDS07	19.6	20.0	20.35	3/16	1A	E	2-5/8	1-15/16	86.0
6B250	580.00	QDS07	24.6	25.0	25.35	5/16	1A	E	2-5/8	1-13/16	109.0
6B300	780.00	QDS07	29.6	30.0	30.35	5/16	1A	E	2-5/8	1-13/16	151.0
6B380	1120.00	QDS07	37.6	38.0	38.35	5/16	1A	E	2-5/8	1-13/16	207.0



TYPE 1



TYPE 10



TYPE 11

P.D. for "A" (4L) Belts = Datum Dia. + .35" = O.D. - .40

P.D. for "B" (5L) Belts = O.D.

¹ Reverse mount only.

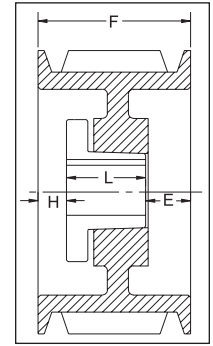
* Mounting bolts are supplied by Baldor with these parts.

Type of sheave "T": A = arms; B = block; W = web

“A/B” COMBINATION 8 GROOVES

Dimensions

Part Number	List Price	Mult. Sym.	Datum dia.		O.D.	F = 6-1/4 inches					Approx. Wt. (lbs)
			“A” Belts	“B” Belts		H	Type	B	L	E	
8B54	180.00	QDS07	5.0	5.4	5.75	1	1B	SK	1-7/8	3-3/8	13.5
8B56	184.00	QDS07	5.2	5.6	5.95	1	1B	SK	1-7/8	3-3/8	16.1
8B58	188.00	QDS07	5.4	5.8	6.15	1	1B	SK	1-7/8	3-3/8	19.9
8B60	192.00	QDS07	5.6	6.0	6.35	1	1B	SF	2	3-1/4	16.4
8B62	196.00	QDS07	5.8	6.2	6.55	1	1B	SF	2	3-1/4	18.0
8B64	200.00	QDS07	6.0	6.4	6.75	1	1B	SF	2	3-1/4	21.2
8B66	208.00	QDS07	6.2	6.6	6.95	1	1B	SF	2	3-1/4	20.2
8B68	212.00	QDS07	6.4	6.8	7.15	1	1B	SF	2	3-1/4	21.1
8B70	260.00	QDS07	6.6	7.0	7.35	1	1B	SF	2	3-1/4	22.4
8B74	284.00	QDS07	7.0	7.4	7.75	1	1B	SF	2	3-1/4	25.3
8B80	288.00	QDS07	7.6	8.0	8.35	1-5/16	1B	E	2-5/8	2-5/16	30.0
8B86	292.00	QDS07	8.2	8.6	8.95	1-5/16	1B	E	2-5/8	2-5/16	34.5
8B94	300.00	QDS07	9.0	9.4	9.75	1-5/16	1B	E	2-5/8	2-5/16	40.7
8B110	356.00	QDS07	10.6	11.0	11.35	1-5/16	1B	E	2-5/8	2-5/16	52.0
8B124	372.00	QDS07	12.0	12.4	12.75	1-5/16	1W	E	2-5/8	2-5/16	53.0
8B136	452.00	QDS07	13.2	13.6	13.95	1-3/8	1A	E	2-5/8	2-1/4	58.0
8B154	500.00	QDS07	15.0	15.4	15.75	1-3/8	1A	E	2-5/8	2-1/4	63.5
8B160	572.00	QDS07	15.6	16.0	16.35	1-5/16	1A	E	2-5/8	2-5/16	71.0
8B184	636.00	QDS07	18.0	18.4	18.75	3/32	1A	F	3-5/8	2-17/32	108.0
8B200	690.00	QDS07	19.6	20.0	20.35	3/32	1A	F	3-5/8	2-17/32	100.0
8B250	880.00	QDS07	24.6	25.0	25.35	3/32	1A	F	3-5/8	2-17/32	152.0
8B300	1260.00	QDS07	29.6	30.0	30.35	3/32	1A	F	3-5/8	2-17/32	186.0
8B380	1740.00	QDS07	37.6	38.0	38.35	3/32	1A	F	3-5/8	2-17/32	278.0



TYPE 1

10 GROOVES

Dimensions

Part Number	List Price	Mult. Sym.	Datum dia.		O.D.	F = 7-3/4 inches					Approx. Wt. (lbs)
			“A” Belts	“B” Belts		H	Type	B	L	E	
10B54	280.00	QDS07	5.0	5.4	5.75	1-3/4	1B	SK	1-7/8	4-1/8	15.5
10B56	288.00	QDS07	5.2	5.6	5.95	1-3/4	1B	SK	1-7/8	4-1/8	19.8
10B58	296.00	QDS07	5.4	5.8	6.15	1-3/4	1B	SK	1-7/8	4-1/8	18.0
10B60	304.00	QDS07	5.6	6.0	6.35	1-3/4	1B	SF	2	4	19.0
10B62	312.00	QDS07	5.8	6.2	6.55	1-3/4	1B	SF	2	4	20.0
10B64	320.00	QDS07	6.0	6.4	6.75	1-3/4	1B	SF	2	4	23.0
10B66	332.00	QDS07	6.2	6.6	6.95	1-3/4	1B	SF	2	4	21.0
10B68	344.00	QDS07	6.4	6.8	7.15	1-3/4	1B	SF	2	4	24.8
10B70	352.00	QDS07	6.6	7.0	7.35	1-3/4	1B	SF	2	4	26.0
10B74	360.00	QDS07	7.0	7.4	7.75	1-3/4	1B	SF	2	4	29.8
10B86	372.00	QDS07	8.2	8.6	8.95	2-1/16	1B	E	2-5/8	3-1/16	39.6
10B94	420.00	QDS07	9.0	9.4	9.75	2-1/16	1B	E	2-5/8	3-1/16	40.0
10B110	520.00	QDS07	10.6	11.0	11.35	2-1/16	1B	E	2-5/8	3-1/16	52.0
10B124	532.00	QDS07	12.0	12.4	12.75	2-1/16	1W	E	2-5/8	3-1/16	72.3
10B136	636.00	QDS07	13.2	13.6	13.95	27/32	1A	F	3-5/8	3-9/32	75.8
10B154	680.00	QDS07	15.0	15.4	15.75	27/32	1A	F	3-5/8	3-9/32	87.0
10B160	760.00	QDS07	15.6	16.0	16.35	27/32	1A	F	3-5/8	3-9/32	100.0
10B184	800.00	QDS07	18.0	18.4	18.75	27/32	1A	F	3-5/8	3-9/32	110.0
10B200	860.00	QDS07	19.6	20.0	20.35	27/32	1A	F	3-5/8	3-9/32	118.0
10B250	1160.00	QDS07	24.6	25.0	25.35	27/32	1A	F	3-5/8	3-9/32	183.0
10B300	1380.00	QDS07	29.6	30.0	30.35	27/32	1A	F	3-5/8	3-9/32	234.0
10B380	1780.00	QDS07	37.6	38.0	38.35	7/32	1A	J	4-1/2	3-1/32	321.0

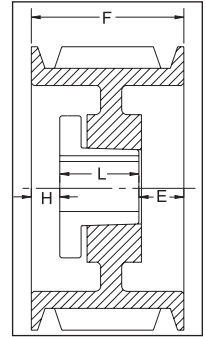
P.D. for “A” (4L) Belts = Datum Dia. + .35” = O.D. - .40 P.D. for “B” (5L) Belts = O.D. Type of sheave “T”: A = arms; B = block; W = web

"C" SECTION

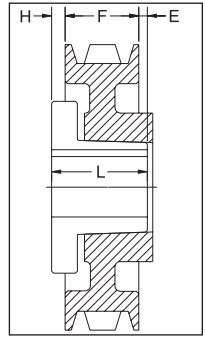
1 GROOVE

Dimensions

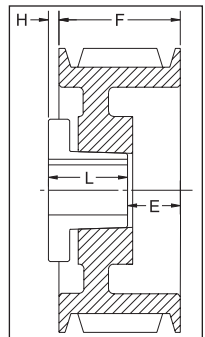
PPart Number	List Price	Mult. Sym.	Datum dia.	O.D.	F = 1-3/8 inches					Approx. Wt. (lbs)
					H	Type	B	L	E	
1C70	112.00	QDS07	7.0	7.4	9/16	5B	SF	2	1/16	9.4
1C75	120.00	QDS07	7.5	7.9	9/16	5B	SF	2	1/16	11.5
1C80	124.00	QDS07	8.0	8.4	9/16	5B	SF	2	1/16	13.3
1C85	128.00	QDS07	8.5	8.9	9/16	5B	SF	2	1/16	15.6
1C90	132.00	QDS07	9.0	9.4	19/32	5W	SF	2	1/32	14.4
1C95	136.00	QDS07	9.5	9.9	19/32	5W	SF	2	1/32	16.0
1C100	140.00	QDS07	10.0	10.4	11/16	6W	SF	2	1/16	17.4
1C105	152.00	QDS07	10.5	10.9	11/16	6W	SF	2	1/16	17.9
1C110	172.00	QDS07	11.0	11.4	17/32	5W	SF	2	3/32	20.0
1C120	184.00	QDS07	12.0	12.4	11/16	6W	SF	2	1/16	21.7
1C130	240.00	QDS07	13.0	13.4	11/16	6A	SF	2	1/16	17.8
1C140	260.00	QDS07	14.0	14.4	11/16	6A	SF	2	1/16	22.2
1C160	280.00	QDS07	16.0	16.4	11/16	6A	SF	2	1/16	24.2
1C180	300.00	QDS07	18.0	18.4	11/16	6A	SF	2	1/16	32.1
1C200	320.00	QDS07	20.0	20.4	11/16	6A	SF	2	1/16	36.0
1C240	360.00	QDS07	24.0	24.4	11/16	6A	SF	2	1/16	47.0



TYPE 1



TYPE 5



TYPE 6

2 GROOVES

Dimensions

Part Number	List Price	Mult. Sym.	Datum dia.	O.D.	F = 2-3/8 inches					Approx. Wt. (lbs)
					H	Type	B	L	E	
2C60	126.00	QDS06	6.0	6.4	1/16	1B	SF	2	5/16	8.0
2C70	132.00	QDS06	7.0	7.4	0	1B	SF	2	3/8	12.8
2C75	136.00	QDS06	7.5	7.9	0	1B	SF	2	3/8	14.9
2C80	144.00	QDS06	8.0	8.4	0	1B	SF	2	3/8	17.0
2C85	148.00	QDS06	8.5	8.9	0	1B	SF	2	3/8	19.2
2C90	152.00	QDS06	9.0	9.4	0	1W	SF	2	3/8	20.7
2C95	160.00	QDS06	9.5	9.9	0	1W	SF	2	3/8	22.9
2C100	176.00	QDS06	10.0	10.4	0	1W	SF	2	3/8	22.0
2C105	188.00	QDS06	10.5	10.9	0	1W	SF	2	3/8	23.4
2C110	200.00	QDS06	11.0	11.4	0	1W	SF	2	3/8	25.7
2C120	210.00	QDS06	12.0	12.4	1/4	6W	SF	2	5/8	28.6
2C130	250.00	QDS06	13.0	13.4	1/4	6A	SF	2	5/8	35.7
2C140	270.00	QDS06	14.0	14.4	1/4	6A	SF	2	5/8	40.2
2C160	290.00	QDS06	16.0	16.4	1/4	6A	SF	2	5/8	39.4
2C180	310.00	QDS06	18.0	18.4	1/4	6A	SF	2	5/8	47.3
2C200	340.00	QDS06	20.0	20.4	1/4	6A	SF	2	5/8	54.6
2C240	460.00	QDS06	24.0	24.4	1/4	6A	SF	2	5/8	63.0
2C270	550.00	QDS06	27.0	27.4	29/32	5A	F	3-5/8	11/32	93.1
2C300	620.00	QDS06	30.0	30.4	29/32	5A	F	3-5/8	11/32	94.0

P.D. for "C" Belts = O.D.

Type of sheave "T": A = arms; B = block; W = web

“C” SECTION 3 GROOVES Dimensions

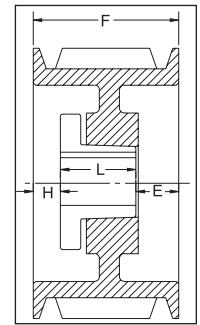
Part Number	List Price	Mult. Sym.	Datum dia.	O.D.	F = 3-3/8 inches					Approx. Wt. (lbs)
					H	Type	B	L	E	
3C50*	136.00	QDS06	5.0	5.4	5/16	1B	SD	1-13/16	1-1/4	8.5
3C50SK ¹	136.00	QDS06	5.0	5.4	13/16	11B	SK	1-7/8	2-5/16	8.0
3C56	138.00	QDS06	5.6	6.0	5/8	1B	SD	1-13/16	1-5/16	11.0
3C60	140.00	QDS06	6.0	6.4	1/16	1B	SF	2	1-5/16	10.2
3C70	144.00	QDS06	7.0	7.4	1/2	1B	SF	2	7/8	15.8
3C75	148.00	QDS06	7.5	7.9	1/2	1B	SF	2	7/8	18.2
3C80	156.00	QDS06	8.0	8.4	11/16	1B	E	2-5/8	1/16	20.3
3C85	176.00	QDS06	8.5	8.9	11/16	1B	E	2-5/8	1/16	24.1
3C90	188.00	QDS06	9.0	9.4	11/16	1B	E	2-5/8	1/16	27.0
3C95	200.00	QDS06	9.5	9.9	11/16	1W	E	2-5/8	1/16	29.8
3C100	220.00	QDS06	10.0	10.4	11/16	1W	E	2-5/8	1/16	33.8
3C105	230.00	QDS06	10.5	10.9	11/16	1W	E	2-5/8	1/16	36.3
3C110	240.00	QDS06	11.0	11.4	11/16	1W	E	2-5/8	1/16	37.5
3C120	250.00	QDS06	12.0	12.4	11/16	1W	E	2-5/8	1/16	43.7
3C130	290.00	QDS06	13.0	13.4	11/16	1A	E	2-5/8	1/16	44.8
3C140	320.00	QDS06	14.0	14.4	11/16	1A	E	2-5/8	1/16	49.8
3C160	330.00	QDS06	16.0	16.4	11/16	1A	E	2-5/8	1/16	58.3
3C180	350.00	QDS06	18.0	18.4	11/16	1A	E	2-5/8	1/16	63.1
3C200	400.00	QDS06	20.0	20.4	1/16	6A	E	2-5/8	13/16	81.0
3C240	480.00	QDS06	24.0	24.4	1/16	6A	E	2-5/8	13/16	84.0
3C270	580.00	QDS06	27.0	27.4	13/32	6A	F	3-5/8	5/32	115.5
3C300	640.00	QDS06	30.0	30.4	13/32	6A	F	3-5/8	5/32	118.0
3C360	980.00	QDS07	36.0	36.4	13/32	6A	F	3-5/8	5/32	187.0
3C440	1720.00	QDS07	44.0	44.4	13/32	6A	F	3-5/8	5/32	232.0
3C500	1920.00	QDS07	50.0	50.4	13/32	6A	F	3-5/8	5/32	290.0

P.D. for “C” Belts = O.D.

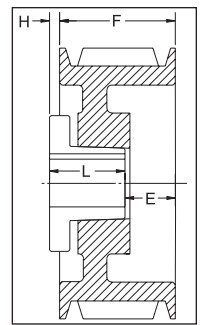
¹ Reverse mount only.

* Mounting bolts are supplied by Baldor with these parts.

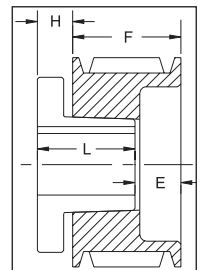
Type of sheave “T”: A = arms; B = block; W = web



TYPE 1



TYPE 6



TYPE 11

Motor Accessories

PT Components

Grinders

Baldor Mod Express

ABB Mod Express

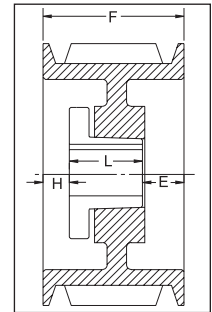
ABB ATEX Mod Express

Product Index

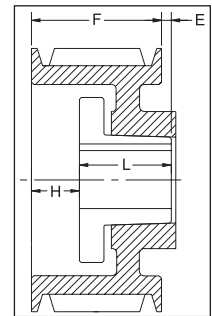
“C” SECTION

4 GROOVES Dimensions

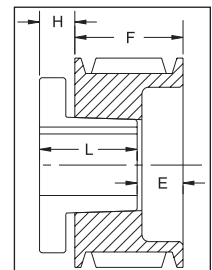
Part Number	List Price	Mult. Sym.	Datum dia.	O.D.	F = 4-3/8 inches					Approx. Wt. (lbs)
					H	Type	B	L	E	
4C50*	156.00	QDS06	5.0	5.4	5/8	1B	SD	1-13/16	1-15/16	10.6
4C50SK ¹	156.00	QDS06	5.0	5.4	13/16	11B	SK	1-7/8	3-5/16	10.0
4C56	158.00	QDS06	5.6	6.0	7/8	1B	SD	1-13/16	1-11/16	13.4
4C60	160.00	QDS06	6.0	6.4	1/16	1B	SF	2	2-5/16	12.1
4C70	164.00	QDS06	7.0	7.4	3/4	1B	SF	2	1-5/8	19.1
4C75	172.00	QDS06	7.5	7.9	3/4	1B	SF	2	1-5/8	21.8
4C80	196.00	QDS06	8.0	8.4	15/16	1B	E	2-5/8	13/16	23.7
4C85	208.00	QDS06	8.5	8.9	15/16	1B	E	2-5/8	13/16	27.7
4C90	224.00	QDS06	9.0	9.4	15/16	1B	E	2-5/8	13/16	31.3
4C95	228.00	QDS06	9.5	9.9	15/16	1B	E	2-5/8	13/16	35.0
4C100	240.00	QDS06	10.0	10.4	15/16	1B	E	2-5/8	13/16	39.6
4C105	260.00	QDS06	10.5	10.9	15/16	1W	E	2-5/8	13/16	42.4
4C110	272.00	QDS06	11.0	11.4	15/16	1W	E	2-5/8	13/16	43.4
4C120	300.00	QDS06	12.0	12.4	15/16	1W	E	2-5/8	13/16	49.0
4C130	336.00	QDS06	13.0	13.4	15/16	1A	E	2-5/8	13/16	54.0
4C140	364.00	QDS06	14.0	14.4	15/16	1A	E	2-5/8	13/16	56.5
4C160	420.00	QDS06	16.0	16.4	15/16	1A	E	2-5/8	13/16	66.0
4C180	430.00	QDS06	18.0	18.4	15/16	1A	E	2-5/8	13/16	73.4
4C200	450.00	QDS06	20.0	20.4	7/16	1A	E	2-5/8	1-5/16	87.0
4C240	560.00	QDS06	24.0	24.4	3/32	1A	F	3-5/8	21/32	114.0
4C270	660.00	QDS06	27.0	27.4	3/32	1A	F	3-5/8	21/32	140.5
4C300	760.00	QDS06	30.0	30.4	3/32	1A	F	3-5/8	21/32	141.0
4C360	1120.00	QDS07	36.0	36.4	5/32	1A	F	3-5/8	19/32	192.0
4C440	1800.00	QDS07	44.0	44.4	7/32	2A	J	4-1/2	11/32	286.0
4C500	2120.00	QDS07	50.0	50.4	7/32	2A	J	4-1/2	11/32	360.0



TYPE 1



TYPE 2



TYPE 11

Type of sheave "T": A = arms; B = block; W = web

5 GROOVES Dimensions

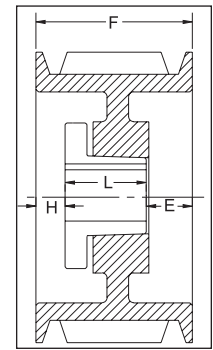
Part Number	List Price	Mult. Sym.	Datum dia.	O.D.	F = 5-3/8 inches					Approx. Wt. (lbs)
					H	Type	B	L	E	
5C60SF	172.00	QDS06	6.0	6.4	1/16	1B	SF	2	3-5/16	14.3
5C70	176.00	QDS06	7.0	7.4	1-1/8	1B	SF	2	2-1/4	22.5
5C75	224.00	QDS06	7.5	7.9	1-1/8	1B	SF	2	2-1/4	25.0
5C80	236.00	QDS06	8.0	8.4	1-5/16	1B	E	2-5/8	1-7/16	27.3
5C85	252.00	QDS06	8.5	8.9	1-5/16	1B	E	2-5/8	1-7/16	32.2
5C90	256.00	QDS06	9.0	9.4	1-5/16	1B	E	2-5/8	1-7/16	35.9
5C95	262.00	QDS06	9.5	9.9	1-5/16	1B	E	2-5/8	1-7/16	39.9
5C100	276.00	QDS06	10.0	10.4	1-5/16	1W	E	2-5/8	1-7/16	41.6
5C105	296.00	QDS06	10.5	10.9	1-5/16	1W	E	2-5/8	1-7/16	43.7
5C110	332.00	QDS06	11.0	11.4	1-5/16	1W	E	2-5/8	1-7/16	48.7
5C120	336.00	QDS06	12.0	12.4	1-5/16	1W	E	2-5/8	1-7/16	54.2
5C130	376.00	QDS06	13.0	13.4	1-5/16	1A	E	2-5/8	1-7/16	53.6
5C140	380.00	QDS06	14.0	14.4	1-5/16	1A	E	2-5/8	1-7/16	60.2
5C160	430.00	QDS06	16.0	16.4	1-5/16	1A	E	2-5/8	1-7/16	72.2
5C180	480.00	QDS06	18.0	18.4	1-5/16	1A	E	2-5/8	1-7/16	90.9
5C200	600.00	QDS06	20.0	20.4	3/32	1A	F	3-5/8	1-21/32	109.7
5C240	640.00	QDS06	24.0	24.4	3/32	1A	F	3-5/8	1-21/32	130.5
5C270	760.00	QDS06	27.0	27.4	3/32	1A	F	3-5/8	1-21/32	149.0
5C300	840.00	QDS06	30.0	30.4	3/32	1A	F	3-5/8	1-21/32	174.0
5C360	1180.00	QDS07	36.0	36.4	7/32	1A	J	4-1/2	21/32	233.0
5C440	1940.00	QDS07	44.0	44.4	7/32	1A	J	4-1/2	21/32	338.0
5C500	2280.00	QDS07	50.0	50.4	7/32	1A	J	4-1/2	21/32	448.0

P.D. for "C" Belts = O.D. ¹ Reverse mount only. * Mounting bolts are supplied by Baldor with these parts.

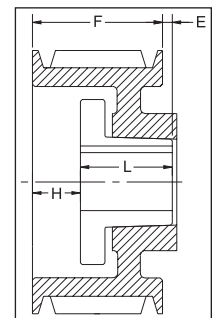
For more details and additional products, see complete Baldor•Maska® Product Catalog or www.baldor.com

“C” SECTION
6 GROOVES Dimensions

Part Number	List Price	Mult. Sym.	Datum dia.	O.D.	F = 6-3/8 inches					Approx. Wt. (lbs)
					H	Type	B	L	E	
6C60	244.00	QDS06	6.0	6.4	1-1/16	1B	SF	2	3-5/16	16.0
6C70	248.00	QDS06	7.0	7.4	1-1/8	1B	SF	2	3-1/4	25.7
6C75	264.00	QDS06	7.5	7.9	1-1/8	1B	SF	2	3-1/4	29.0
6C80	280.00	QDS06	8.0	8.4	1-5/16	1B	E	2-5/8	2-7/16	30.3
6C85	288.00	QDS06	8.5	8.9	1-5/16	1B	E	2-5/8	2-7/16	36.2
6C90	296.00	QDS06	9.0	9.4	1-7/32	1B	F	3-5/8	1-17/32	44.1
6C95	316.00	QDS06	9.5	9.9	1-7/32	1B	F	3-5/8	1-17/32	49.6
6C100	328.00	QDS06	10.0	10.4	1-7/32	1B	F	3-5/8	1-17/32	55.3
6C105	336.00	QDS06	10.5	10.9	1-7/32	1B	F	3-5/8	1-17/32	59.6
6C110	356.00	QDS06	11.0	11.4	1-7/32	1W	F	3-5/8	1-17/32	61.4
6C120	400.00	QDS06	12.0	12.4	1-7/32	1W	F	3-5/8	1-17/32	65.5
6C130	444.00	QDS06	13.0	13.4	1-7/32	1W	F	3-5/8	1-17/32	68.1
6C140	480.00	QDS06	14.0	14.4	1-7/32	1A	F	3-5/8	1-17/32	76.0
6C160	520.00	QDS06	16.0	16.4	1-7/32	1A	F	3-5/8	1-17/32	84.6
6C180	560.00	QDS06	18.0	18.4	1-7/32	1A	F	3-5/8	1-17/32	99.3
6C200	620.00	QDS06	20.0	20.4	23/32	1A	F	3-5/8	2-1/32	119.2
6C240	720.00	QDS06	24.0	24.4	23/32	1A	F	3-5/8	2-1/32	143.5
6C270	880.00	QDS06	27.0	27.4	5/32	1A	J	4-1/2	1-23/32	175.5
6C300	1040.00	QDS06	30.0	30.4	5/32	1A	J	4-1/2	1-23/32	205.0
6C360	1300.00	QDS07	36.0	36.4	7/32	1A	J	4-1/2	1-21/32	303.0
6C440	2040.00	QDS07	44.0	44.4	7/32	1A	J	4-1/2	1-21/32	410.0
6C500	2680.00	QDS07	50.0	50.4	11/32	2A	M°	6-3/4	23/32	510.0



TYPE 1



TYPE 2

8 GROOVES
Dimensions

Part Number	List Price	Mult. Sym.	Datum dia.	O.D.	F = 8-3/8 inches					Approx. Wt. (lbs)
					H	Type	B	L	E	
8C70	320.00	QDS07	7.0	7.4	2-13/32	1B	SF	2	3-31/32	32.0
8C80	390.00	QDS07	8.0	8.4	2-3/16	1B	E	2-5/8	3-9/16	39.1
8C85	400.00	QDS07	8.5	8.9	2-3/16	1B	E	2-5/8	3-9/16	44.6
8C90	410.00	QDS07	9.0	9.4	2-3/32	1B	F	3-5/8	2-21/32	52.7
8C95	420.00	QDS07	9.5	9.9	2-3/32	1B	F	3-5/8	2-21/32	56.0
8C100	430.00	QDS07	10.0	10.4	2-3/32	1B	F	3-5/8	2-21/32	64.0
8C105	450.00	QDS07	10.5	10.9	2-3/32	1B	F	3-5/8	2-21/32	72.0
8C110	480.00	QDS07	11.0	11.4	2-3/32	1B	F	3-5/8	2-21/32	79.4
8C120	520.00	QDS07	12.0	12.4	2-3/32	1B	F	3-5/8	2-21/32	93.9
8C130	560.00	QDS07	13.0	13.4	2-3/32	1W	F	3-5/8	2-21/32	96.9
8C140	650.00	QDS07	14.0	14.4	2-3/32	1A	F	3-5/8	2-21/32	96.0
8C160	740.00	QDS07	16.0	16.4	2-3/32	1A	F	3-5/8	2-21/32	111.0
8C180	860.00	QDS07	18.0	18.4	2-3/32	1A	F	3-5/8	2-21/32	129.0
8C200	870.00	QDS07	20.0	20.4	5/32	1A	J	4-1/2	3-23/32	158.0
8C240	1020.00	QDS07	24.0	24.4	5/32	1A	J	4-1/2	3-23/32	173.0
8C270	1120.00	QDS07	27.0	27.4	5/32	1A	J	4-1/2	3-23/32	226.0
8C300	1280.00	QDS07	30.0	30.4	5/32	1A	J	4-1/2	3-23/32	272.0
8C360	1600.00	QDS07	36.0	36.4	9/32	1A	M°	6-3/4	1-11/32	370.0
8C440	2560.00	QDS07	44.0	44.4	9/32	1A	M°	6-3/4	1-11/32	479.0
8C500	3000.00	QDS07	50.0	50.4	9/32	1A	M°	6-3/4	1-11/32	570.0

P.D. for “C” Belts = O.D. Type of sheave “T”: A = arms; B = block; W = web

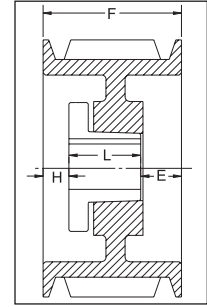
* Note: M-N-P-W bushings are standard mounting only with these parts.

"C" SECTION

10 GROOVES

Dimensions

Part Number	List Price	Mult. Sym.	Datum dia.	O.D.	F = 10-3/8 inches					Approx. Wt. (lbs)
					H	Type	B	L	E	
10C80	460.00	QDS07	8.0	8.4	2-3/16	1B	E	2-5/8	5-9/16	46.1
10C85	480.00	QDS07	8.5	8.9	2-3/16	1B	E	2-5/8	5-9/16	51.7
10C90	500.00	QDS07	9.0	9.4	2-5/32	1B	J	4-1/2	3-23/32	54.3
10C95	510.00	QDS07	9.5	9.9	2-5/32	1B	J	4-1/2	3-23/32	67.4
10C100	520.00	QDS07	10.0	10.4	2-5/32	1B	J	4-1/2	3-23/32	77.1
10C105	580.00	QDS07	10.5	10.9	2-5/32	1B	J	4-1/2	3-23/32	85.7
10C110	600.00	QDS07	11.0	11.4	2-5/32	1B	J	4-1/2	3-23/32	93.6
10C120	760.00	QDS07	12.0	12.4	2-5/32	1B	J	4-1/2	3-23/32	111.9
10C130	840.00	QDS07	13.0	13.4	2-5/32	1W	J	4-1/2	3-23/32	123.0
10C140	900.00	QDS07	14.0	14.4	2-5/32	1W	J	4-1/2	3-23/32	144.1
10C160	960.00	QDS07	16.0	16.4	2-5/32	1A	J	4-1/2	3-23/32	143.0
10C180	1080.00	QDS07	18.0	18.4	2-5/32	1A	J	4-1/2	3-23/32	151.0
10C200	1120.00	QDS07	20.0	20.4	2-5/32	1A	J	4-1/2	3-23/32	175.0
10C240	1360.00	QDS07	24.0	24.4	9/32	1A	M°	6-3/4	3-11/32	225.0
10C300	1760.00	QDS07	30.0	30.4	9/32	1A	M°	6-3/4	3-11/32	365.0
10C360	2560.00	QDS07	36.0	36.4	9/32	1A	M°	6-3/4	3-11/32	446.0
10C440	2800.00	QDS07	44.0	44.4	9/32	1A	M°	6-3/4	3-11/32	545.0
10C500	3500.00	QDS07	50.0	50.4	9/32	1A	M°	6-3/4	3-11/32	660.0



TYPE 1

12 GROOVES

Dimensions

Part Number	List Price	Mult. Sym.	Datum dia.	O.D.	F = 12-3/8 inches					Approx. Wt. (lbs)
					H	Type	B	L	E	
12C90	700.00	QDS07	9.0	9.4	2-21/32	1B	J	4-1/2	5-7/32	62.0
12C95	720.00	QDS07	9.5	9.9	2-21/32	1B	J	4-1/2	5-7/32	76.5
12C100	740.00	QDS07	10.0	10.4	2-21/32	1B	J	4-1/2	5-7/32	86.7
12C105	760.00	QDS07	10.5	10.9	2-21/32	1B	J	4-1/2	5-7/32	95.3
12C110	780.00	QDS07	11.0	11.4	2-21/32	1B	J	4-1/2	5-7/32	105.0
12C120	800.00	QDS07	12.0	12.4	2-21/32	1B	J	4-1/2	5-7/32	118.8
12C130	920.00	QDS07	13.0	13.4	2-21/32	1W	J	4-1/2	5-7/32	145.6
12C140	1180.00	QDS07	14.0	14.4	2-21/32	1W	J	4-1/2	5-7/32	167.6
12C160	1360.00	QDS07	16.0	16.4	2-21/32	1A	J	4-1/2	5-7/32	151.0
12C180	1400.00	QDS07	18.0	18.4	2-21/32	1A	J	4-1/2	5-7/32	175.5
12C200	1480.00	QDS07	20.0	20.4	9/32	1A	M°	6-3/4	5-11/32	243.0
12C240	1520.00	QDS07	24.0	24.4	9/32	1A	M°	6-3/4	5-11/32	304.5
12C300	1780.00	QDS07	30.0	30.4	9/32	1A	M°	6-3/4	5-11/32	397.0
12C360	2640.00	QDS07	36.0	36.4	9/32	1A	M°	6-3/4	5-11/32	502.0
12C440	3200.00	QDS07	44.0	44.4	9/32	1A	M°	6-3/4	5-11/32	635.0
12C500	3900.00	QDS07	50.0	50.4	9/32	1A	M°	6-3/4	5-11/32	807.0

P.D. for "C" Belts = O.D.

° Note: M-N-P-W bushings are standard mounting only with these parts.

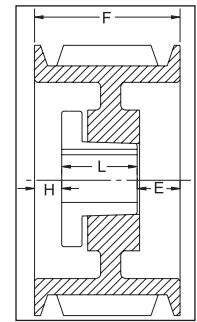
Type of sheave "T": A = arms; B = block; W = web

“D” SECTION

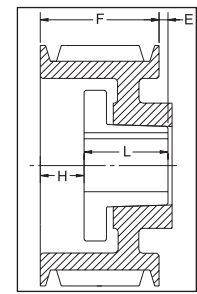
3 GROOVES

Dimensions

Part Number	List Price	Mult. Sym.	Datum dia.	O.D.	F = 4-5/8 inches					
					H	Type	B	L	E	Approx. Wt. (lbs)
3D120	560.00	QDS07	12.0	12.6	9/32	1W	F	3-5/8	23/32	64.0
3D130	600.00	QDS07	13.0	13.6	9/32	1W	F	3-5/8	23/32	72.0
3D135	620.00	QDS07	13.5	14.1	9/32	1W	F	3-5/8	23/32	76.0
3D140	640.00	QDS07	14.0	14.6	9/32	1W	F	3-5/8	23/32	79.0
3D145	680.00	QDS07	14.5	15.1	9/32	1W	F	3-5/8	23/32	84.0
3D150	720.00	QDS07	15.0	15.6	9/32	1W	F	3-5/8	23/32	89.0
3D155	740.00	QDS07	15.5	16.1	9/32	1W	F	3-5/8	23/32	94.0
3D160	760.00	QDS07	16.0	16.6	9/32	1A	F	3-5/8	23/32	96.0
3D180	800.00	QDS07	18.0	18.6	7/32	6A	J	4-1/2	11/32	115.0
3D220	960.00	QDS07	22.0	22.6	7/32	6A	J	4-1/2	11/32	141.0
3D270	1160.00	QDS07	27.0	27.6	7/32	6A	J	4-1/2	11/32	211.0
3D330	1640.00	QDS07	33.0	33.6	7/32	6A	J	4-1/2	11/32	231.0
3D400	2040.00	QDS07	40.0	40.6	7/32	6A	J	4-1/2	11/32	310.0



TYPE 1

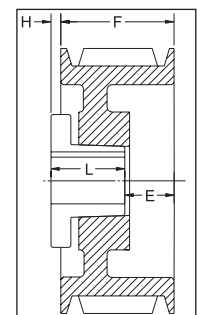


TYPE 2

4 GROOVES

Dimensions

Part Number	List Price	Mult. Sym.	Datum dia.	O.D.	F = 6-1/16 inches					
					H	Type	B	L	E	Approx. Wt. (lbs)
4D120	600.00	QDS07	12.0	12.6	1-3/32	1W	F	3-5/8	1-11/32	77.0
4D130	640.00	QDS07	13.0	13.6	1-3/32	1W	F	3-5/8	1-11/32	85.0
4D135	660.00	QDS07	13.5	14.1	1-3/32	1W	F	3-5/8	1-11/32	90.0
4D140	680.00	QDS07	14.0	14.6	1-3/32	1W	F	3-5/8	1-11/32	95.0
4D145	780.00	QDS07	14.5	15.1	1-3/32	1W	F	3-5/8	1-11/32	100.0
4D150	800.00	QDS07	15.0	15.6	1-3/32	1W	F	3-5/8	1-11/32	107.0
4D155	820.00	QDS07	15.5	16.1	1-3/32	1W	F	3-5/8	1-11/32	112.0
4D160	840.00	QDS07	16.0	16.6	1-3/32	1A	F	3-5/8	1-11/32	119.0
4D170	940.00	QDS07	17.0	17.6	1-5/32	1A	J	4-1/2	13/32	127.0
4D180	960.00	QDS07	18.0	18.6	1-5/32	1A	J	4-1/2	13/32	131.0
4D200	980.00	QDS07	20.0	20.6	1-5/32	1A	J	4-1/2	13/32	147.0
4D220	1000.00	QDS07	22.0	22.6	5/32	1A	J	4-1/2	1-13/32	166.5
4D270	1280.00	QDS07	27.0	27.6	5/32	1A	J	4-1/2	1-13/32	238.0
4D330	2120.00	QDS07	33.0	33.6	9/32	2A	M°	6-3/4	31/32	308.0
4D400	2240.00	QDS07	40.0	40.6	9/32	2A	M°	6-3/4	31/32	385.0



TYPE 6

P.D. for “D” Belts = O.D.

° Note: M-N-P-W bushings are standard mounting only with these parts.

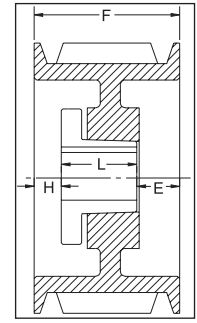
Type of sheave “T”: A = arms; B = block; W = web

"D" SECTION

5 GROOVES

Dimensions

Part Number	List Price	Mult. Sym.	Datum dia.	O.D.	F = 7-1/2 inches					
					H	Type	B	L	E	Approx. Wt. (lbs)
5D120	780.00	QDS07	12.0	12.6	1-27/32	1W	F	3-5/8	2-1/32	89.0
5D130	800.00	QDS07	13.0	13.6	1-27/32	1W	F	3-5/8	2-1/32	100.0
5D135	820.00	QDS07	13.5	14.1	1-27/32	1W	F	3-5/8	2-1/32	105.0
5D140	860.00	QDS07	14.0	14.6	1-27/32	1W	F	3-5/8	2-1/32	111.0
5D145	920.00	QDS07	14.5	15.1	1-27/32	1W	F	3-5/8	2-1/32	118.0
5D150	940.00	QDS07	15.0	15.6	1-27/32	1W	F	3-5/8	2-1/32	125.0
5D155	960.00	QDS07	15.5	16.1	1-27/32	1W	F	3-5/8	2-1/32	131.0
5D160	980.00	QDS07	16.0	16.6	1-27/32	1A	F	3-5/8	2-1/32	131.4
5D170	1000.00	QDS07	17.0	17.6	1-29/32	1A	J	4-1/2	1-3/32	120.0
5D180	1020.00	QDS07	18.0	18.6	1-29/32	1A	J	4-1/2	1-3/32	151.0
5D200	1220.00	QDS07	20.0	20.6	5/32	1A	J	4-1/2	2-27/32	167.0
5D220	1420.00	QDS07	22.0	22.6	5/32	1A	J	4-1/2	2-27/32	198.0
5D270	1740.00	QDS07	27.0	27.6	9/32	1A	M ^o	6-3/4	15/32	289.0
5D330	2180.00	QDS07	33.0	33.6	9/32	1A	M ^o	6-3/4	15/32	372.5
5D400	2700.00	QDS07	40.0	40.6	9/32	1A	M ^o	6-3/4	15/32	521.0
5D480	3080.00	QDS07	48.0	48.6	9/32	1A	M ^o	6-3/4	15/32	598.0
5D580	4280.00	QDS07	58.0	58.6	9/32	1A	M ^o	6-3/4	15/32	817.0



TYPE 1

6 GROOVES

Dimensions

Part Number	List Price	Mult. Sym.	Datum dia.	O.D.	F = 8-15/16 inches					
					H	Type	B	L	E	Approx. Wt. (lbs)
6D120	960.00	QDS07	12.0	12.6	1-29/32	1B	J	4-1/2	2-17/32	116.0
6D130	980.00	QDS07	13.0	13.6	1-29/32	1B	J	4-1/2	2-17/32	137.0
6D135	1000.00	QDS07	13.5	14.1	1-29/32	1B	J	4-1/2	2-17/32	147.0
6D140	1020.00	QDS07	14.0	14.6	1-29/32	1B	J	4-1/2	2-17/32	158.0
6D145	1040.00	QDS07	14.5	15.1	1-29/32	1B	J	4-1/2	2-17/32	170.0
6D150	1060.00	QDS07	15.0	15.6	1-29/32	1W	J	4-1/2	2-17/32	147.0
6D155	1080.00	QDS07	15.5	16.1	1-29/32	1W	J	4-1/2	2-17/32	153.0
6D160	1100.00	QDS07	16.0	16.6	1-29/32	1A	J	4-1/2	2-17/32	137.0
6D170	1120.00	QDS07	17.0	17.6	1-29/32	1A	J	4-1/2	2-17/32	153.0
6D180	1140.00	QDS07	18.0	18.6	1-29/32	1A	J	4-1/2	2-17/32	167.0
6D200	1480.00	QDS07	20.0	20.6	1-29/32	1A	J	4-1/2	2-17/32	195.5
6D220	1840.00	QDS07	22.0	22.6	9/32	1A	M ^o	6-3/4	1-29/32	269.0
6D270	1900.00	QDS07	27.0	27.6	9/32	1A	M ^o	6-3/4	1-29/32	300.0
6D330	2460.00	QDS07	33.0	33.6	9/32	1A	M ^o	6-3/4	1-29/32	408.0
6D400	2980.00	QDS07	40.0	40.6	9/32	1A	M ^o	6-3/4	1-29/32	557.0
6D480	3480.00	QDS07	48.0	48.6	9/32	1A	M ^o	6-3/4	1-29/32	664.0
6D580	4520.00	QDS07	58.0	58.6	3/16	1A	N ^o	8-1/8	5/8	925.0

P.D. for "D" Belts = O.D.

Note: M-N-P-W bushings are standard mounting only with these parts.

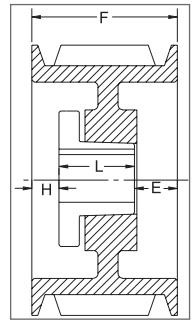
Type of sheave "T": A = arms; B = block; W = web

“D” SECTION

8 GROOVES

Dimensions

Part Number	List Price	Mult. Sym.	Datum dia.	O.D.	F = 11-13/16 inches					Approx. Wt. (lbs)
					H	Type	B	L	E	
8D120	1240.00	QDS07	12.0	12.6	2-5/32	1B	J	4-1/2	5-5/32	141.0
8D130	1260.00	QDS07	13.0	13.6	2-5/32	1B	J	4-1/2	5-5/32	163.0
8D135	1280.00	QDS07	13.5	14.1	2-5/32	1B	J	4-1/2	5-5/32	175.0
8D140	1320.00	QDS07	14.0	14.6	2-5/32	1B	J	4-1/2	5-5/32	187.0
8D145	1360.00	QDS07	14.5	15.1	2-5/32	1B	J	4-1/2	5-5/32	200.0
8D150	1380.00	QDS07	15.0	15.6	2-5/32	1W	J	4-1/2	5-5/32	183.0
8D155	1400.00	QDS07	15.5	16.1	2-5/32	1W	J	4-1/2	5-5/32	189.0
8D160	1560.00	QDS07	16.0	16.6	2-5/32	1W	J	4-1/2	5-5/32	197.0
8D170	1680.00	QDS07	17.0	17.6	2-5/32	1W	J	4-1/2	5-5/32	213.0
8D180	1820.00	QDS07	18.0	18.6	2-9/32	1W	M ^o	6-3/4	2-25/32	255.0
8D200	2000.00	QDS07	20.0	20.6	2-9/32	1W	M ^o	6-3/4	2-25/32	258.0
8D220	2160.00	QDS07	22.0	22.6	9/32	1A	M ^o	6-3/4	4-25/32	329.0
8D270	2660.00	QDS07	27.0	27.6	9/32	1A	M ^o	6-3/4	4-25/32	409.0
8D330	2840.00	QDS07	33.0	33.6	9/32	1A	M ^o	6-3/4	4-25/32	531.0
8D400	3720.00	QDS07	40.0	40.6	1/8	1A	N ^o	8-1/8	3-9/16	731.0
8D480	4320.00	QDS07	48.0	48.6	1/8	1A	N ^o	8-1/8	3-9/16	871.0
8D580	5280.00	QDS07	58.0	58.6	1/8	1A	N ^o	8-1/8	3-9/16	950.0



TYPE 1

10 GROOVES

Dimensions

Part Number	List Price	Mult. Sym.	Datum dia.	O.D.	F = 14-11/16 inches					Approx. Wt. (lbs)
					H	Type	B	L	E	
10D120	1520.00	QDS07	12.0	12.6	2-9/32	1B	M ^o	6-3/4	5-21/32	166.0
10D130	1580.00	QDS07	13.0	13.6	2-9/32	1B	M ^o	6-3/4	5-21/32	207.0
10D135	1660.00	QDS07	13.5	14.1	2-9/32	1B	M ^o	6-3/4	5-21/32	224.0
10D140	1740.00	QDS07	14.0	14.6	2-9/32	1B	M ^o	6-3/4	5-21/32	242.0
10D145	1840.00	QDS07	14.5	15.1	2-9/32	1B	M ^o	6-3/4	5-21/32	260.0
10D150	1860.00	QDS07	15.0	15.6	2-9/32	1B	M ^o	6-3/4	5-21/32	279.0
10D155	1880.00	QDS07	15.5	16.1	2-9/32	1B	M ^o	6-3/4	5-21/32	298.0
10D160	1900.00	QDS07	16.0	16.6	2-9/32	1B	M ^o	6-3/4	5-21/32	318.0
10D170	2080.00	QDS07	17.0	17.6	2-9/32	1W	M ^o	6-3/4	5-21/32	307.0
10D180	2120.00	QDS07	18.0	18.6	2-9/32	1W	M ^o	6-3/4	5-21/32	293.0
10D200	2380.00	QDS07	20.0	20.6	2-9/32	1W	M ^o	6-3/4	5-21/32	351.0
10D220	2480.00	QDS07	22.0	22.6	1-9/32	1A	M ^o	6-3/4	6-21/32	390.0
10D270	2980.00	QDS07	27.0	27.6	1-9/32	1A	M ^o	6-3/4	6-21/32	497.0
10D330	3280.00	QDS07	33.0	33.6	1-11/32	1A	N ^o	8-1/8	5-7/32	672.0
10D400	4300.00	QDS07	40.0	40.6	1-11/32	1A	N ^o	8-1/8	5-7/32	857.0
10D480	5080.00	QDS07	48.0	48.6	3/16	1A	P ^o	9-3/8	5-1/8	1150.0
10D580	5880.00	QDS07	58.0	58.6	3/16	1A	P ^o	9-3/8	5-1/8	1570.0

P.D. for “D” Belts = O.D.

^o Note: M-N-P-W bushings are standard mounting only with these parts.

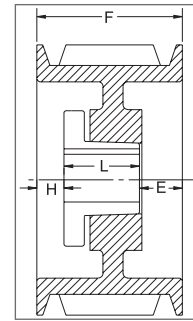
Type of sheave “T”: A = arms; B = block; W = web

"D" SECTION

12 GROOVES

Dimensions

Part Number	List Price	Mult. Sym.	Datum dia.	O.D.	F = 17-9/16 inches					
					H	Type	B	L	E	Approx. Wt. (lbs)
12D120	1720.00	QDS07	12.0	12.6	3-9/32	1B	M ^o	6-3/4	7-17/32	187.0
12D130	1800.00	QDS07	13.0	13.6	3-9/32	1B	M ^o	6-3/4	7-17/32	234.0
12D135	1860.00	QDS07	13.5	14.1	3-9/32	1B	M ^o	6-3/4	7-17/32	252.0
12D140	1880.00	QDS07	14.0	14.6	3-9/32	1B	M ^o	6-3/4	7-17/32	271.0
12D145	2000.00	QDS07	14.5	15.1	3-9/32	1B	M ^o	6-3/4	7-17/32	290.0
12D150	2120.00	QDS07	15.0	15.6	3-9/32	1B	M ^o	6-3/4	7-17/32	310.0
12D155	2180.00	QDS07	15.5	16.1	3-9/32	1B	M ^o	6-3/4	7-17/32	330.0
12D160	2200.00	QDS07	16.0	16.6	3-9/32	1B	M ^o	6-3/4	7-17/32	352.0
12D170	2320.00	QDS07	17.0	17.6	3-15/32	1W	M ^o	6-3/4	7-11/32	365.0
12D180	2420.00	QDS07	18.0	18.6	3-15/32	1W	M ^o	6-3/4	7-11/32	391.0
12D200	2760.00	QDS07	20.0	20.6	3-9/32	1W	M ^o	6-3/4	7-17/32	401.0
12D220	2980.00	QDS07	22.0	22.6	2-9/32	1A	M ^o	6-3/4	7-17/32	365.0
12D270	3640.00	QDS07	27.0	27.6	2-1/8	1A	N ^o	8-1/8	7-5/16	505.0
12D330	4380.00	QDS07	33.0	33.6	2-1/8	1A	N ^o	8-1/8	7-5/16	740.0
12D400	5040.00	QDS07	40.0	40.6	3/16	1A	P ^o	9-3/8	8	1010.0
12D480	6180.00	QDS07	48.0	48.6	3/16	1A	P ^o	9-3/8	8	1237.0
12D580	6760.00	QDS07	58.0	58.6	3/16	1A	P ^o	9-3/8	8	1693.0



TYPE 1

P.D. for "D" Belts = O.D.

*Note: M-N-P-W bushings are standard mounting only with these parts.

Type of sheave "T": A = arms; B = block; W = web

Motor
Accessories

PT Components

Grinders

Baldor
Mod Express

ABB
Mod Express

ABB ATEX
Mod Express

Product
Index

Narrow 3V, 5V & 8V



Features: Complete line in stock, including larger models. Higher HP than classical model; compact, light-weight drives. Designed for use with QD bushing.
 3V model from 1-6; 8; 10 grooves.
 5V model from 2-6; 8; 10 grooves.
 8V model from 4-6; 8; 10; 12 grooves.

Note: DO NOT use these gray cast iron sheaves with rim speeds in excess of 6500 feet per minute.

How to order: Example: 5-5V11.30; 5 = Number of grooves. 5V = Sheave section ("5V"). 11.30 = outside diameter (11.30")

3V SECTION 1 GROOVE

Dimensions

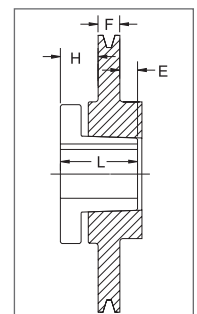
Part Number	List Price	Mult. Sym.	O.D.	Datum dia.	F = 11/16 up to 10.60 O.D. incl. and 13/16 inch thereafter					
					H	Type	B	L	E	Approx. Wt. (lbs)
1-3V2.20 ^{1*}	20.00	QDS08	2.20	2.15	1-1/64	10B	JA	1	45/64	0.8
1-3V2.35 ^{1*}	20.80	QDS08	2.35	2.30	1-1/64	10B	JA	1	45/64	0.85
1-3V2.50 ^{1*}	21.60	QDS08	2.50	2.45	1-1/64	10B	JA	1	45/64	0.92
1-3V2.65	22.40	QDS08	2.65	2.60	29/64	6B	JA	1	9/64	0.5
1-3V2.80	23.20	QDS08	2.80	2.75	29/64	6B	JA	1	9/64	0.7
1-3V3.00	24.00	QDS08	3.00	2.95	29/64	6B	JA	1	9/64	0.7
1-3V3.15	25.20	QDS08	3.15	3.10	29/64	6B	JA	1	9/64	0.7
1-3V3.35	26.40	QDS08	3.35	3.30	29/64	6B	JA	1	9/64	1.1
1-3V3.65	27.60	QDS08	3.65	3.60	5/8	11B	SH	1-1/4	1/16	1.3
1-3V4.12	28.80	QDS08	4.12	4.07	5/8	11B	SH	1-1/4	1/16	1.8
1-3V4.50	30.00	QDS08	4.50	4.45	5/8	11B	SH	1-1/4	1/16	2.3
1-3V4.75	32.00	QDS08	4.75	4.70	5/8	11B	SH	1-1/4	1/16	2.6
1-3V5.00	34.00	QDS08	5.00	4.95	5/8	11B	SH	1-1/4	1/16	2.9
1-3V5.30	36.00	QDS08	5.30	5.25	5/8	11B	SH	1-1/4	1/16	3.3
1-3V5.60	38.00	QDS08	5.60	5.55	5/8	11B	SH	1-1/4	1/16	3.7
1-3V6.00	40.00	QDS08	6.00	5.95	5/8	11W	SH	1-1/4	1/16	4.0
1-3V6.50	44.00	QDS08	6.50	6.45	5/8	11W	SH	1-1/4	1/16	4.8
1-3V6.90	52.00	QDS08	6.90	6.85	5/8	11W	SH	1-1/4	1/16	5.5
1-3V8.00	60.00	QDS08	8.00	7.95	11/16	11A	SDS	1-5/16	1/16	5.7
1-3V10.60	100.00	QDS08	10.60	10.55	11/16	11A	SDS	1-5/16	1/16	8.7
1-3V14.00	120.00	QDS08	14.00	13.95	13/16	5A	SK	1-7/8	1/4	16.0
1-3V19.00	200.00	QDS08	19.00	18.95	29/32	3A	SK	1-7/8	5/32	23.9

P.D. for "3V" Belts = O.D.

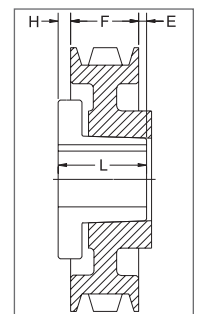
¹ Reverse mount only.

* Mounting bolts are supplied by Baldor with these parts.

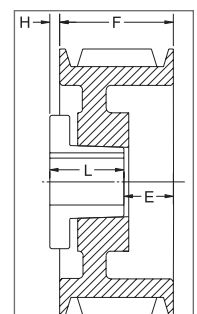
Type of sheave "T": A = arms; B = block; W = web



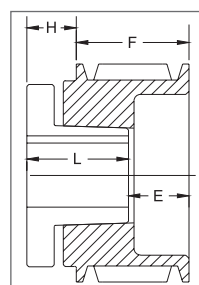
TYPE 3



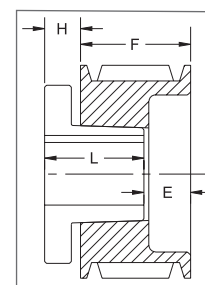
TYPE 5



TYPE 6



TYPE 10



TYPE 11

3V SECTION

2 GROOVES

Dimensions

Part Number	List Price	Mult. Sym.	O.D.	Datum dia.	F = 1-3/32 inches					
					H	Type	B	L	E	Approx. Wt. (lbs)
2-3V2.20 ^{1*}	28.80	QDS09	2.20	2.15	1-1/64	10B	JA	1	1-7/64	0.9
2-3V2.35 ^{1*}	29.60	QDS08	2.35	2.30	1-1/64	10B	JA	1	1-7/64	1.0
2-3V2.50 ^{1*}	30.40	QDS08	2.50	2.45	1-1/64	10B	JA	1	1-7/64	1.1
2-3V2.65 ²	31.20	QDS08	2.65	2.60	25/64	6B	JA	1	31/64	0.8
2-3V2.80 ²	32.00	QDS08	2.80	2.75	25/64	6B	JA	1	31/64	1.0
2-3V3.00 ²	32.80	QDS08	3.00	2.95	25/64	6B	JA	1	31/64	1.2
2-3V3.15 ²	34.00	QDS08	3.15	3.10	25/64	6B	JA	1	31/64	1.2
2-3V3.35 ²	35.20	QDS08	3.35	3.30	1/2	6B	SH	1-1/4	11/32	1.4
2-3V3.65 ²	36.40	QDS08	3.65	3.60	1/2	6B	SH	1-1/4	11/32	1.7
2-3V4.12	40.00	QDS08	4.12	4.07	9/32	6B	SH	1-1/4	1/8	2.3
2-3V4.50	44.00	QDS08	4.50	4.45	9/32	6B	SH	1-1/4	1/8	2.9
2-3V4.75	48.00	QDS08	4.75	4.70	9/32	6B	SH	1-1/4	1/8	3.3
2-3V5.00	52.00	QDS08	5.00	4.95	9/32	6B	SH	1-1/4	1/8	3.7
2-3V5.30	54.00	QDS08	5.30	5.25	9/32	6B	SH	1-1/4	1/8	4.2
2-3V5.60	56.00	QDS08	5.60	5.55	9/32	6B	SH	1-1/4	1/8	4.7
2-3V6.00	58.00	QDS08	6.00	5.95	9/32	6W	SH	1-1/4	1/8	5.1
2-3V6.50	64.00	QDS08	6.50	6.45	3/8	6W	SDS	1-5/16	5/32	5.7
2-3V6.90	70.00	QDS08	6.90	6.85	3/8	6W	SDS	1-5/16	5/32	6.5
2-3V8.00	72.00	QDS08	8.00	7.95	3/8	6A	SDS	1-5/16	5/32	6.5
2-3V10.60	110.00	QDS08	10.60	10.55	5/8	5A	SK	1-7/8	5/32	11.7
2-3V14.00	174.00	QDS08	14.00	13.95	5/8	5A	SK	1-7/8	5/32	17.6
2-3V19.00	204.00	QDS08	19.00	18.95	13/16	11A	SK	1-7/8	1/32	26.3
2-3V25.00	360.00	QDS08	25.00	24.95	13/16	5A	SF	2	3/32	34.5

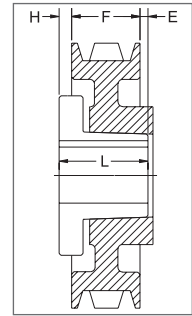
P.D. for "3V" Belts = O.D

¹ Reverse mount only.

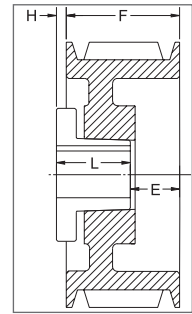
² This sheave can only be reverse mounted with standard bushing bolts. Specials bolts (not provided by Baldor) are required for standard mount.

* Mounting bolts are supplied by Baldor with these parts.

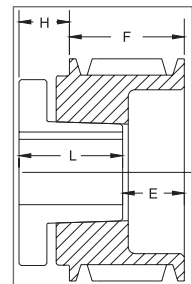
Type of sheave "T": A = arms; B = block; W = web



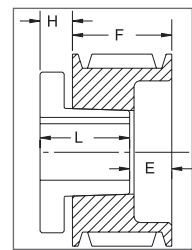
TYPE 5



TYPE 6



TYPE 10



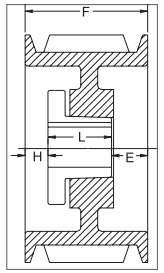
TYPE 11

3V SECTION

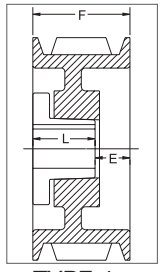
3 GROOVES

Dimensions

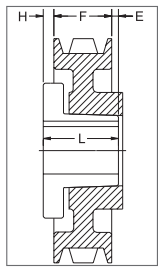
Part Number	List Price	Mult. Sym.	O.D.	Datum dia.	F = 1-1/2 inches					Approx. Wt. (lbs)
					H	Type	B	L	E	
3-3V2.65 ²	36.80	QDS08	2.65	2.60	25/64	6B	JA	1	57/64	1.0
3-3V2.80 ²	37.60	QDS08	2.80	2.75	25/64	6B	JA	1	57/64	1.3
3-3V3.00 ^{1}	38.80	QDS08	3.00	2.95	1-1/32	10B	SH	1-1/4	1-9/32	1.8
3-3V3.15 ^{1}	40.00	QDS08	3.15	3.10	1	10B	SH	1-1/4	1-1/4	2.0
3-3V3.35 ²	41.20	QDS08	3.35	3.30	9/16	6B	SH	1-1/4	13/16	1.7
3-3V3.65 ²	42.40	QDS08	3.65	3.60	9/16	6B	SH	1-1/4	13/16	2.3
3-3V4.12	44.00	QDS08	4.12	4.07	0	4B	SH	1-1/4	1/4	2.6
3-3V4.50	50.00	QDS08	4.50	4.45	0	4B	SDS	1-5/16	3/16	3.1
3-3V4.75	54.00	QDS08	4.75	4.70	0	4B	SDS	1-5/16	3/16	3.6
3-3V5.00	58.00	QDS08	5.00	4.95	0	4B	SDS	1-5/16	3/16	4.2
3-3V5.30	60.00	QDS08	5.30	5.25	0	4B	SDS	1-5/16	3/16	4.8
3-3V5.60	62.00	QDS08	5.60	5.55	0	4B	SDS	1-5/16	3/16	5.3
3-3V6.00	66.00	QDS08	6.00	5.95	0	4B	SDS	1-5/16	3/16	6.2
3-3V6.50	68.00	QDS08	6.50	6.45	0	4W	SDS	1-5/16	3/16	6.6
3-3V6.90	80.00	QDS08	6.90	6.85	0	4W	SDS	1-5/16	3/16	7.3
3-3V8.00	86.00	QDS08	8.00	7.95	5/8	6A	SK	1-7/8	1/4	9.8
3-3V10.60	126.00	QDS08	10.60	10.55	5/8	6A	SK	1-7/8	1/4	14.1
3-3V14.00	184.00	QDS08	14.00	13.95	5/8	6A	SK	1-7/8	1/4	18.9
3-3V19.00	216.00	QDS08	19.00	18.95	13/16	11A	SF	2	5/16	34.1
3-3V25.00	400.00	QDS08	25.00	24.95	13/16	11A	SF	2	5/16	38.6
3-3V33.50	720.00	QDS09	33.50	33.45	23/32	6A	SF	2	7/32	79.4



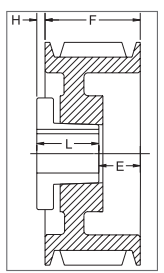
TYPE 1



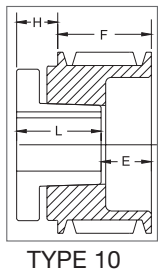
TYPE 4



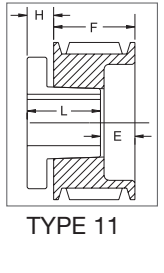
TYPE 5



TYPE 6



TYPE 10



TYPE 11

4 GROOVES

Dimensions

Part Number	List Price	Mult. Sym.	O.D.	Datum dia.	F = 1-29/32 inches					Approx. Wt. (lbs)
					H	Type	B	L	E	
4-3V2.65 ²	42.40	QDS08	2.65	2.60	25/64	6B	JA	1	1-19/64	1.3
4-3V2.80 ²	42.80	QDS08	2.80	2.75	25/64	6B	JA	1	1-19/64	1.6
4-3V3.00 ^{1*}	43.20	QDS08	3.00	2.95	1-1/32	10B	SH	1-1/4	1-11/16	2.1
4-3V3.15 ^{1*}	44.80	QDS08	3.15	3.10	1	10B	SH	1-1/4	1-21/32	2.4
4-3V3.35 ²	46.40	QDS08	3.35	3.30	1/2	6B	SH	1-1/4	1-5/32	2.1
4-3V3.65 ²	48.00	QDS08	3.65	3.60	1/2	6B	SH	1-1/4	1-5/32	2.9
4-3V4.12	50.00	QDS08	4.12	4.07	3/16	1B	SH	1-1/4	15/32	3.0
4-3V4.50	52.00	QDS08	4.50	4.45	3/16	1B	SDS	1-5/16	13/32	3.5
4-3V4.75	56.00	QDS08	4.75	4.70	1/8	1B	SDS	1-5/16	15/32	4.2
4-3V5.00	60.00	QDS08	5.00	4.95	1/8	1B	SDS	1-5/16	15/32	5.0
4-3V5.30	64.00	QDS08	5.30	5.25	1/8	1B	SDS	1-5/16	15/32	5.6
4-3V5.60	66.00	QDS08	5.60	5.55	1/8	1B	SDS	1-5/16	15/32	6.3
4-3V6.00	70.00	QDS08	6.00	5.95	1/4	6B	SK	1-7/8	9/32	7.8
4-3V6.50	72.00	QDS08	6.50	6.45	1/4	6B	SK	1-7/8	9/32	9.5
4-3V6.90	82.00	QDS08	6.90	6.85	1/4	6B	SK	1-7/8	9/32	11.1
4-3V8.00	88.00	QDS08	8.00	7.95	1/4	6A	SK	1-7/8	9/32	11.3
4-3V10.60	128.00	QDS08	10.60	10.55	1/4	6A	SK	1-7/8	9/32	15.9
4-3V14.00	196.00	QDS08	14.00	13.95	1/4	6A	SK	1-7/8	9/32	24.5
4-3V19.00	252.00	QDS08	19.00	18.95	1/16	5A	SF	2	1/32	41.2
4-3V25.00	412.00	QDS08	25.00	24.95	7/16	6A	SF	2	11/32	51.1
4-3V33.50	780.00	QDS09	33.50	33.45	25/32	6A	E	2-5/8	1/16	94.1

P.D. for "3V" Belts = O.D. * For 3-3V3.00: F=1.912" + For 3-3V3.15: F=1 7/8"

¹ Reverse mount only.

² This sheave can only be reverse mounted with standard bushing bolts. Specials bolts (not provided by Baldor) are required for standard mount.

* Mounting bolts are supplied by Baldor with these parts.

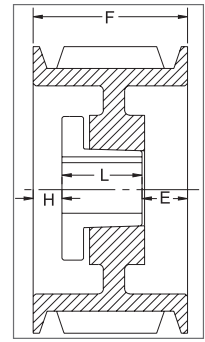
Type of sheave "T": A = arms; B = block; W = web

3V SECTION

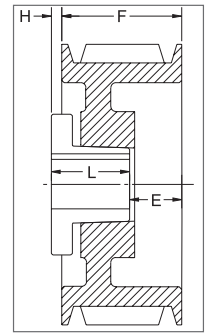
5 GROOVES

Dimensions

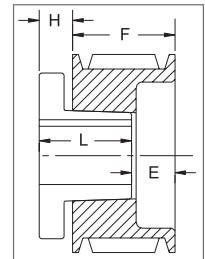
Part Number	List Price	Mult. Sym.	O.D.	Datum dia.	F = 2-5/16 inches					
					H	Type	B	L	E	Approx. Wt. (lbs)
5-3V4.75	62.00	QDS08	4.75	4.70	1/8	1B	SDS	1-5/16	7/8	4.8
5-3V5.00	68.00	QDS08	5.00	4.95	1/8	1B	SDS	1-5/16	7/8	5.9
5-3V5.30	70.00	QDS08	5.30	5.25	1/16	1B	SK	1-7/8	3/8	6.0
5-3V5.60	76.00	QDS08	5.60	5.55	1/32	1B	SK	1-7/8	13/32	7.4
5-3V6.00	78.00	QDS08	6.00	5.95	1/16	1B	SK	1-7/8	3/8	8.7
5-3V6.50	80.00	QDS08	6.50	6.45	1/16	1B	SK	1-7/8	3/8	10.7
5-3V6.90	88.00	QDS08	6.90	6.85	1/32	1B	SK	1-7/8	13/32	12.1
5-3V8.00	94.00	QDS08	8.00	7.95	1/16	1W	SK	1-7/8	3/8	14.8
5-3V10.60	130.00	QDS08	10.60	10.55	5/32	1A	SK	1-7/8	9/32	19.3
5-3V14.00	232.00	QDS08	14.00	13.95	3/32	6A	SF	2	13/32	27.8
5-3V19.00	292.00	QDS08	19.00	18.95	3/32	1A	SF	2	7/32	42.9
5-3V25.00	436.00	QDS08	25.00	24.95	7/16	6A	E	2-5/8	1/8	61.4
5-3V33.50	850.00	QDS09	33.50	33.45	3/8	6A	E	2-5/8	1/16	107.0



TYPE 1



TYPE 6



TYPE 11

6 GROOVES

Dimensions

Part Number	List Price	Mult. Sym.	O.D.	Datum dia.	F = 2-23/32 inches					
					H	Type	B	L	E	Approx. Wt. (lbs)
6-3V4.75 ^{1*}	84.00	QDS09	4.75	4.70	13/16	11B	SK	1-7/8	1-21/32	5.9
6-3V5.00 ¹	86.00	QDS09	5.00	4.95	13/16	11B	SK	1-7/8	1-21/32	7.2
6-3V5.30	88.00	QDS09	5.30	5.25	15/32	1B	SK	1-7/8	3/8	6.5
6-3V5.60	90.00	QDS09	5.60	5.55	7/16	1B	SK	1-7/8	13/32	8.3
6-3V6.00	92.00	QDS09	6.00	5.95	7/16	1B	SK	1-7/8	13/32	9.7
6-3V6.50	94.00	QDS09	6.50	6.45	1/2	1B	SK	1-7/8	11/32	11.6
6-3V6.90	112.00	QDS09	6.90	6.85	7/16	1B	SK	1-7/8	13/32	13.2
6-3V8.00	124.00	QDS09	8.00	7.95	1/16	1W	SK	1-7/8	25/32	16.2
6-3V10.60	144.00	QDS09	10.60	10.55	5/32	1A	SF	2	9/16	22.1
6-3V14.00	248.00	QDS09	14.00	13.95	3/32	1A	SF	2	5/8	32.4
6-3V19.00	308.00	QDS09	19.00	18.95	1/32	6A	E	2-5/8	1/8	47.5
6-3V25.00	452.00	QDS09	25.00	24.95	1/32	6A	E	2-5/8	1/8	75.0
6-3V33.50	900.00	QDS09	33.50	33.45	1/32	1A	E	2-5/8	1/16	122.5

P.D. for "3V" Belts = O.D.

¹ Reverse mount only.

* Mounting bolts are supplied by Baldor with these parts.

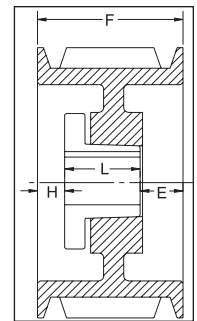
Type of sheave "T": A = arms; B = block; W = web

3V SECTION

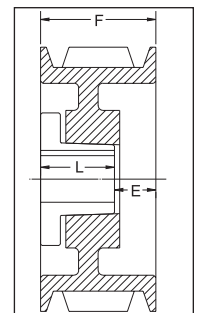
8 GROOVES

Dimensions

Part Number	List Price	Mult. Sym.	O.D.	Datum dia.	F = 3-17/32 inches					
					H	Type	B	L	E	Approx. Wt. (lbs)
8-3V4.75 ¹	106.00	QDS09	4.75	4.70	13/16	11B	SK	1-7/8	2-15/32	7.2
8-3V5.00 ¹	110.00	QDS09	5.00	4.95	13/16	11B	SK	1-7/8	2-15/32	8.9
8-3V5.30	124.00	QDS09	5.30	5.25	7/16	1B	SK	1-7/8	1-7/32	7.7
8-3V5.60	126.00	QDS09	5.60	5.55	7/16	1B	SK	1-7/8	1-7/32	10.0
8-3V6.00	128.00	QDS09	6.00	5.95	7/16	1B	SK	1-7/8	1-7/32	11.7
8-3V6.50	130.00	QDS09	6.50	6.45	7/16	1B	SK	1-7/8	1-7/32	13.6
8-3V6.90	132.00	QDS09	6.90	6.85	7/16	1B	SK	1-7/8	1-7/32	15.3
8-3V8.00	148.00	QDS09	8.00	7.95	5/16	1W	SF	2	1-7/32	19.6
8-3V10.60	210.00	QDS09	10.60	10.55	5/32	1A	SF	2	1-3/8	25.8
8-3V14.00	284.00	QDS09	14.00	13.95	1/8	6A	E	2-5/8	1-1/32	40.8
8-3V19.00	444.00	QDS09	19.00	18.95	1/8	6A	E	2-5/8	1-1/32	61.7
8-3V25.00	520.00	QDS09	25.00	24.95	3/16	6A	E	2-5/8	1-3/32	94.0
8-3V33.50	980.00	QDS09	33.50	33.45	15/32	6A	F	3-5/8	3/8	153.0



TYPE 1

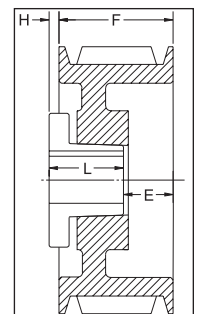


TYPE 4

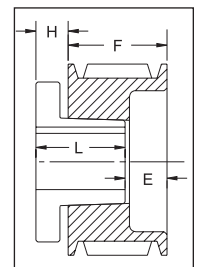
10 GROOVES

Dimensions

Part Number	List Price	Mult. Sym.	O.D.	Datum dia.	F = 4-11/32 inches					
					H	Type	B	L	E	Approx. Wt. (lbs)
10-3V4.75 ¹	126.00	QDS09	4.75	4.70	13/16	11B	SK	1-7/8	3-9/32	8.7
10-3V5.00 ¹	128.00	QDS09	5.00	4.95	13/16	11B	SK	1-7/8	3-9/32	10.7
10-3V5.30	130.00	QDS09	5.30	5.25	9/16	1B	SK	1-7/8	1-29/32	9.8
10-3V5.60	132.00	QDS09	5.60	5.55	9/16	1B	SK	1-7/8	1-29/32	11.6
10-3V6.00	134.00	QDS09	6.00	5.95	9/16	1B	SK	1-7/8	1-29/32	13.6
10-3V6.50	144.00	QDS09	6.50	6.45	9/16	1B	SK	1-7/8	1-29/32	15.8
10-3V6.90	146.00	QDS09	6.90	6.85	9/16	1B	SK	1-7/8	1-29/32	17.5
10-3V8.00	194.00	QDS09	8.00	7.95	11/16	1W	SF	2	1-21/32	21.8
10-3V10.60	250.00	QDS09	10.60	10.55	0	4W	E	2-5/8	1-23/32	36.3
10-3V14.00	320.00	QDS09	14.00	13.95	0	4A	E	2-5/8	1-23/32	49.9
10-3V19.00	472.00	QDS09	19.00	18.95	0	4A	E	2-5/8	1-23/32	74.0
10-3V25.00	596.00	QDS09	25.00	24.95	1/16	6A	F	3-5/8	25/32	105.0
10-3V33.50	1100.00	QDS09	33.50	33.45	1/16	6A	F	3-5/8	25/32	180.0



TYPE 6



TYPE 11

P.D. for "3V" Belts = O.D.

¹ Reverse mount only.

Type of sheave "T": A = arms; B = block; W = web

5V SECTION

2 GROOVES

Dimensions

Part Number	List Price	Mult. Sym.	O.D.	Datum dia.	F = 1-11/16 inches					
					H	Type	B	L	E	Approx. Wt. (lbs)
2-5V4.40 ²	73.00	QDS08	4.40	4.30	15/32	6B	SH	1-1/4	29/32	4.0
2-5V4.65 ^{1*}	79.00	QDS08	4.65	4.55	11/16	11B	SDS	1-5/16	1-1/16	4.0
2-5V4.90	85.00	QDS08	4.90	4.80	7/32	4B	SDS	1-5/16	3/8	3.8
2-5V5.20	91.00	QDS08	5.20	5.10	0	4B	SDS	1-5/16	3/8	4.8
2-5V5.50	97.00	QDS08	5.50	5.40	0	4B	SDS	1-5/16	3/8	5.5
2-5V5.90	103.00	QDS08	5.90	5.80	0	4B	SDS	1-5/16	3/8	6.5
2-5V6.30	109.00	QDS08	6.30	6.20	7/16	6B	SK	1-7/8	1/4	7.7
2-5V6.70	115.00	QDS08	6.70	6.60	7/16	6B	SK	1-7/8	1/4	9.3
2-5V7.10	120.00	QDS08	7.10	7.00	3/8	6B	SK	1-7/8	3/16	10.6
2-5V7.50	122.00	QDS08	7.50	7.40	3/8	6B	SK	1-7/8	3/16	12.0
2-5V8.00	124.00	QDS08	8.00	7.90	3/8	6B	SK	1-7/8	3/16	14.1
2-5V8.50	128.00	QDS08	8.50	8.40	3/8	6B	SK	1-7/8	3/16	16.3
2-5V9.00	136.00	QDS08	9.00	8.90	3/8	6B	SK	1-7/8	3/16	18.3
2-5V9.25	144.00	QDS08	9.25	9.15	3/8	6W	SK	1-7/8	3/16	16.5
2-5V9.75	148.00	QDS08	9.75	9.65	3/8	6W	SK	1-7/8	3/16	17.7
2-5V10.30	152.00	QDS08	10.30	10.20	3/8	6W	SK	1-7/8	3/16	18.3
2-5V10.90	156.00	QDS08	10.90	10.80	3/8	6W	SK	1-7/8	3/16	20.7
2-5V11.30	160.00	QDS08	11.30	11.20	3/8	6A	SK	1-7/8	3/16	16.9
2-5V11.80	162.00	QDS08	11.80	11.70	3/8	6A	SK	1-7/8	3/16	18.4
2-5V12.50	164.00	QDS08	12.50	12.40	3/8	6A	SF	2	1/16	20.8
2-5V13.20	176.00	QDS08	13.20	13.10	3/8	6A	SF	2	1/16	22.2
2-5V14.00	230.00	QDS08	14.00	13.90	3/8	6A	SF	2	1/16	23.1
2-5V15.00	234.00	QDS08	15.00	14.90	3/8	6A	SF	2	1/16	25.3
2-5V16.00	252.00	QDS08	16.00	15.90	3/8	6A	SF	2	1/16	26.9
2-5V18.70	300.00	QDS08	18.70	18.60	3/8	6A	SF	2	1/16	34.7
2-5V21.20	416.00	QDS08	21.20	21.10	3/8	6A	SF	2	1/16	46.7
2-5V23.60	480.00	QDS08	23.60	23.50	5/16	5A	E	2-5/8	5/8	53.2
2-5V28.00	520.00	QDS08	28.00	27.90	5/16	5A	E	2-5/8	5/8	66.1

P.D. for "5V" Belts = O.D.

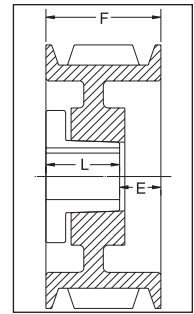
¹ Reverse mount only.

² This sheave can only be reverse mounted with standard bushing bolts.

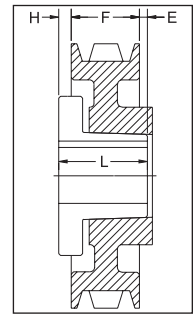
Specials bolts (not provided by Baldor) are required for standard mount.

* Mounting bolts are supplied by Baldor with these parts.

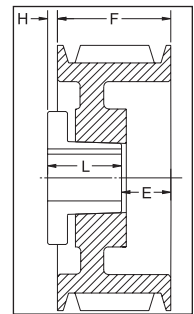
Type of sheave "T": A = arms; B = block; W = web



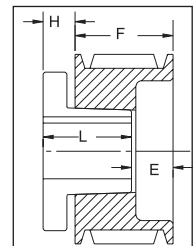
TYPE 4



TYPE 5



TYPE 6



TYPE 11

5V SECTION

3 GROOVES

Dimensions

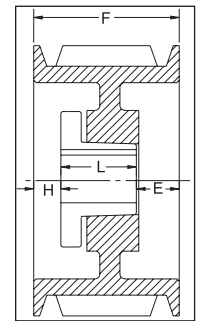
Part Number	List Price	Mult. Sym.	O.D.	Datum dia.	F = 2-3/8 inches					Approx. Wt. (lbs)
					H	Type	B	L	E	
3-5V4.40 ^{1*}	79.00	QDS08	4.40	4.30	11/16	11B	SDS	1-5/16	1-3/4	4.6
3-5V4.65 ^{1*}	85.00	QDS08	4.65	4.55	11/16	11B	SDS	1-5/16	1-3/4	5.2
3-5V4.90 [*]	91.00	QDS08	4.90	4.80	3/8	1B	SDS	1-5/16	11/16	5.0
3-5V5.20	97.00	QDS08	5.20	5.10	3/8	1B	SDS	1-5/16	11/16	5.8
3-5V5.50	103.00	QDS08	5.50	5.40	5/16	1B	SDS	1-5/16	3/4	6.3
3-5V5.90	109.00	QDS08	5.90	5.80	5/16	1B	SDS	1-5/16	3/4	8.4
3-5V6.30	115.00	QDS08	6.30	6.20	1/4	1B	SK	1-7/8	1/4	9.6
3-5V6.70	121.00	QDS08	6.70	6.60	1/4	1B	SK	1-7/8	1/4	11.9
3-5V7.10	128.00	QDS08	7.10	7.00	3/16	1B	SF	2	3/16	12.3
3-5V7.50	134.00	QDS08	7.50	7.40	3/16	1B	SF	2	3/16	13.8
3-5V8.00	142.00	QDS08	8.00	7.90	3/16	1B	SF	2	3/16	16.2
3-5V8.50	146.00	QDS08	8.50	8.40	1/16	6B	SF	2	7/16	18.1
3-5V9.00	150.00	QDS08	9.00	8.90	1/16	6B	SF	2	7/16	20.7
3-5V9.25	156.00	QDS08	9.25	9.15	1/16	6W	SF	2	7/16	20.3
3-5V9.75	162.00	QDS08	9.75	9.65	1/16	6W	SF	2	7/16	20.4
3-5V10.30	172.00	QDS08	10.30	10.20	1/16	6W	SF	2	7/16	21.6
3-5V10.90	176.00	QDS08	10.90	10.80	1/16	6W	SF	2	7/16	23.3
3-5V11.30	180.00	QDS08	11.30	11.20	1/16	6A	SF	2	7/16	22.8
3-5V11.80	194.00	QDS08	11.80	11.70	1/16	6A	SF	2	7/16	24.9
3-5V12.50	202.00	QDS08	12.50	12.40	11/16	6A	E	2-5/8	7/16	30.7
3-5V13.20	212.00	QDS08	13.20	13.10	11/16	6A	E	2-5/8	7/16	32.5
3-5V14.00	258.00	QDS08	14.00	13.90	11/16	6A	E	2-5/8	7/16	35.8
3-5V15.00	274.00	QDS08	15.00	14.90	11/16	6A	E	2-5/8	7/16	38.2
3-5V16.00	282.00	QDS08	16.00	15.90	11/16	6A	E	2-5/8	7/16	40.9
3-5V18.70	328.00	QDS08	18.70	18.60	5/16	6A	E	2-5/8	1/16	46.9
3-5V21.20	440.00	QDS08	21.20	21.10	11/16	6A	E	2-5/8	7/16	62.0
3-5V23.60	500.00	QDS08	23.60	23.50	11/32	6A	E	2-5/8	3/32	60.6
3-5V28.00	540.00	QDS08	28.00	27.90	5/16	6A	E	2-5/8	1/16	101.0
3-5V31.50	920.00	QDS10	31.50	31.40	31/32	5A	F	3-5/8	9/32	113.0
3-5V37.50	1180.00	QDS10	37.50	37.40	31/32	5A	F	3-5/8	9/32	155.0
3-5V50.00	1780.00	QDS10	50.00	49.90	31/32	5A	F	3-5/8	9/32	220.0

P.D. for "5V" Belts = O.D.

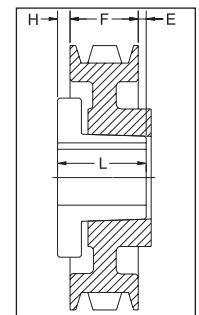
¹ Reverse mount only.

* Mounting bolts are supplied by Baldor with these parts.

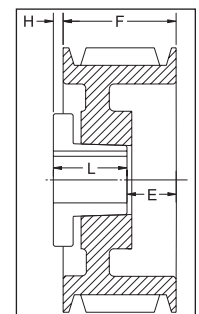
Type of sheave "T": A = arms; B = block; W = web



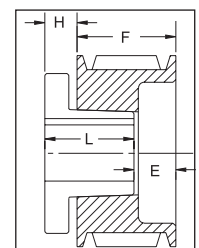
TYPE 1



TYPE 5



TYPE 6



TYPE 11

Motor Accessories

PT Components

Grinders

Baldor Mod Express

ABB Mod Express

ABB ATEX Mod Express

Product Index

5V SECTION

4 GROOVES

Dimensions

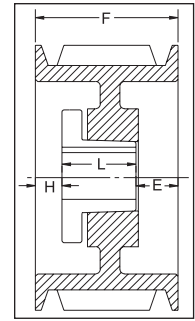
Part Number	List Price	Mult. Sym.	O.D.	Datum dia.	F = 3-1/16 inches					
					H	Type	B	L	E	Approx. Wt. (lbs)
4-5V4.40 ^{1*}	92.00	QDS08	4.40	4.30	11/16	11B	SD	1-13/16	1-15/16	5.9
4-5V4.65 ^{1*}	98.00	QDS08	4.65	4.55	11/16	11B	SD	1-13/16	1-15/16	6.7
4-5V4.90*	104.00	QDS08	4.90	4.80	5/8	1B	SD	1-13/16	5/8	6.6
4-5V5.20	110.00	QDS08	5.20	5.10	5/8	1B	SD	1-13/16	5/8	7.8
4-5V5.50	116.00	QDS08	5.50	5.40	5/8	1B	SD	1-13/16	5/8	9.6
4-5V5.90	122.00	QDS08	5.90	5.80	5/8	1B	SD	1-13/16	5/8	11.0
4-5V6.30	128.00	QDS08	6.30	6.20	1/2	1B	SK	1-7/8	11/16	11.7
4-5V6.70	134.00	QDS08	6.70	6.60	1/2	1B	SK	1-7/8	11/16	14.5
4-5V7.10	140.00	QDS08	7.10	7.00	1/4	1B	SF	2	13/16	14.5
4-5V7.50	148.00	QDS08	7.50	7.40	1/4	1B	SF	2	13/16	16.3
4-5V8.00	156.00	QDS08	8.00	7.90	3/8	1B	E	2-5/8	1/16	17.9
4-5V8.50	162.00	QDS08	8.50	8.40	3/8	1B	E	2-5/8	1/16	21.7
4-5V9.00	164.00	QDS08	9.00	8.90	3/8	1B	E	2-5/8	1/16	24.4
4-5V9.25	168.00	QDS08	9.25	9.15	3/8	1B	E	2-5/8	1/16	26.2
4-5V9.75	196.00	QDS08	9.75	9.65	3/8	1B	E	2-5/8	1/16	29.6
4-5V10.30	200.00	QDS08	10.30	10.20	0	4W	E	2-5/8	7/16	29.8
4-5V10.90	206.00	QDS08	10.90	10.80	0	4W	E	2-5/8	7/16	32.4
4-5V11.30	224.00	QDS08	11.30	11.20	3/8	1W	E	2-5/8	1/16	35.5
4-5V11.80	226.00	QDS08	11.80	11.70	0	4W	E	2-5/8	7/16	32.7
4-5V12.50	234.00	QDS08	12.50	12.40	3/8	1A	E	2-5/8	1/16	35.7
4-5V13.20	256.00	QDS08	13.20	13.10	0	4A	E	2-5/8	7/16	37.2
4-5V14.00	290.00	QDS08	14.00	13.90	0	4A	E	2-5/8	7/16	41.1
4-5V15.00	320.00	QDS08	15.00	14.90	0	4A	E	2-5/8	7/16	44.6
4-5V16.00	340.00	QDS08	16.00	15.90	0	4A	E	2-5/8	7/16	49.9
4-5V18.70	380.00	QDS08	18.70	18.60	3/16	1A	E	2-5/8	1/4	59.2
4-5V21.20	512.00	QDS08	21.20	21.10	3/16	1A	E	2-5/8	1/4	65.0
4-5V23.60	546.00	QDS08	23.60	23.50	21/32	6A	F	3-5/8	3/32	84.8
4-5V28.00	620.00	QDS08	28.00	27.90	21/32	6A	F	3-5/8	3/32	112.6
4-5V31.50	970.00	QDS10	31.50	31.40	11/32	5A	F	3-5/8	7/32	140.9
4-5V37.50	1240.00	QDS10	37.50	37.40	21/32	6A	F	3-5/8	3/32	172.0
4-5V50.00	1880.00	QDS10	50.00	49.90	15/16	5A	J	4-1/2	1/2	269.0

P.D. for "5V" Belts = O.D.

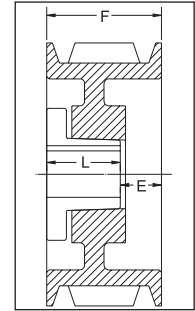
¹ Reverse mount only.

* Mounting bolts are supplied by Baldor with these parts.

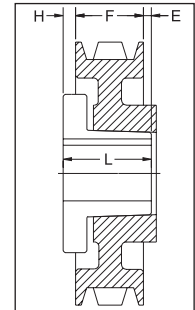
Type of sheave "T": A = arms; B = block; W = web



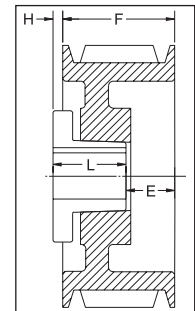
TYPE 1



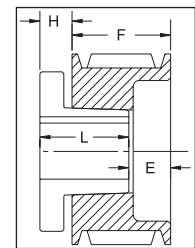
TYPE 4



TYPE 5



TYPE 6



TYPE 11

5V SECTION

5 GROOVES

Dimensions

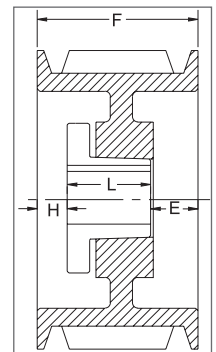
Part Number	List Price	Mult. Sym.	O.D.	Datum dia.	F = 3-3/4 inches					
					H	Type	B	L	E	Approx. Wt. (lbs)
5-5V4.40 ¹ *	104.00	QDS08	4.40	4.30	11/16	11B	SD	1-13/16	2-5/8	6.3
5-5V4.65 ¹ *	110.00	QDS08	4.65	4.55	11/16	11B	SD	1-13/16	2-5/8	7.0
5-5V4.90*	116.00	QDS08	4.90	4.80	5/8	1B	SD	1-13/16	1-5/16	7.9
5-5V5.20	122.00	QDS08	5.20	5.10	5/8	1B	SD	1-13/16	1-5/16	9.7
5-5V5.50	128.00	QDS08	5.50	5.40	5/8	1B	SD	1-13/16	1-5/16	10.9
5-5V5.90	134.00	QDS08	5.90	5.80	1/2	1B	SK	1-7/8	1-3/8	11.2
5-5V6.30	140.00	QDS08	6.30	6.20	1/2	1B	SK	1-7/8	1-3/8	12.2
5-5V6.70	146.00	QDS08	6.70	6.60	1/2	1B	SF	2	1-1/4	13.2
5-5V7.10	156.00	QDS08	7.10	7.00	9/16	1B	SF	2	1-3/16	16.7
5-5V7.50	174.00	QDS08	7.50	7.40	9/16	1B	SF	2	1-3/16	18.5
5-5V8.00	184.00	QDS08	8.00	7.90	5/16	1B	E	2-5/8	13/16	20.0
5-5V8.50	190.00	QDS08	8.50	8.40	5/16	1B	E	2-5/8	13/16	24.4
5-5V9.00	198.00	QDS08	9.00	8.90	5/16	1B	E	2-5/8	13/16	27.4
5-5V9.25	202.00	QDS08	9.25	9.15	5/16	1B	E	2-5/8	13/16	29.2
5-5V9.75	218.00	QDS08	9.75	9.65	5/16	1B	E	2-5/8	13/16	32.8
5-5V10.30	220.00	QDS08	10.30	10.20	5/16	1W	E	2-5/8	13/16	31.1
5-5V10.90	222.00	QDS08	10.90	10.80	5/16	1W	E	2-5/8	13/16	33.0
5-5V11.30	242.00	QDS08	11.30	11.20	5/16	1W	E	2-5/8	13/16	35.0
5-5V11.80	244.00	QDS08	11.80	11.70	5/16	1W	E	2-5/8	13/16	37.3
5-5V12.50	282.00	QDS08	12.50	12.40	5/16	1W	E	2-5/8	13/16	38.9
5-5V13.20	300.00	QDS08	13.20	13.10	5/16	1W	E	2-5/8	13/16	41.8
5-5V14.00	344.00	QDS08	14.00	13.90	5/16	1A	E	2-5/8	13/16	45.3
5-5V15.00	384.00	QDS08	15.00	14.90	5/16	1A	E	2-5/8	13/16	49.1
5-5V16.00	404.00	QDS08	16.00	15.90	5/16	1A	E	2-5/8	13/16	51.9
5-5V18.70	432.00	QDS08	18.70	18.60	9/32	6A	F	3-5/8	13/32	86.0
5-5V21.20	536.00	QDS08	21.20	21.10	7/32	6A	F	3-5/8	11/32	84.7
5-5V23.60	586.00	QDS08	23.60	23.50	7/32	6A	F	3-5/8	11/32	111.0
5-5V28.00	660.00	QDS08	28.00	27.90	7/32	6A	F	3-5/8	11/32	128.0
5-5V31.50	1080.00	QDS10	31.50	31.40	19/64	6A	J	4-1/2	25/64	174.0
5-5V37.50	1380.00	QDS10	37.50	37.40	7/8	6A	J	4-1/2	1/8	199.0
5-5V50.00	1920.00	QDS10	50.00	49.90	7/8	6A	J	4-1/2	1/8	319.0

P.D. for "5V" Belts = O.D.

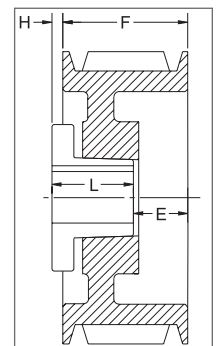
¹ Reverse mount only.

* Mounting bolts are supplied by Baldor with these parts.

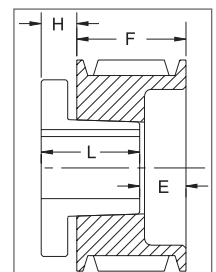
Type of sheave "T": A = arms; B = block; W = web



TYPE 1



TYPE 6



TYPE 11

5V SECTION

6 GROOVES

Dimensions

Part Number	List Price	Mult. Sym.	O.D.	Datum dia.	F = 4-7/16 inches					Approx. Wt. (lbs)
					H	Type	B	L	E	
6-5V4.40 ^{1*}	114.00	QDS08	4.40	4.30	11/16	11B	SD	1-13/16	3-5/16	7.2
6-5V4.65 ^{1*}	120.00	QDS08	4.65	4.55	11/16	11B	SD	1-13/16	3-5/16	8.0
6-5V4.90*	126.00	QDS08	4.90	4.80	5/8	1B	SD	1-13/16	2	7.6
6-5V5.20	132.00	QDS08	5.20	5.10	5/8	1B	SD	1-13/16	2	9.6
6-5V5.50	138.00	QDS08	5.50	5.40	5/8	1B	SD	1-13/16	2	11.1
6-5V5.90	144.00	QDS08	5.90	5.80	1/2	1B	SK	1-7/8	2-1/16	10.9
6-5V6.30	150.00	QDS08	6.30	6.20	1/2	1B	SK	1-7/8	2-1/16	13.5
6-5V6.70	154.00	QDS08	6.70	6.60	13/16	1B	SF	2	1-5/8	14.2
6-5V7.10	160.00	QDS08	7.10	7.00	13/16	1B	SF	2	1-5/8	18.8
6-5V7.50	176.00	QDS08	7.50	7.40	13/16	1B	SF	2	1-5/8	20.8
6-5V8.00	186.00	QDS08	8.00	7.90	15/16	1B	E	2-5/8	7/8	22.3
6-5V8.50	198.00	QDS08	8.50	8.40	15/16	1B	E	2-5/8	7/8	27.1
6-5V9.00	220.00	QDS08	9.00	8.90	15/16	1B	E	2-5/8	7/8	30.5
6-5V9.25	224.00	QDS08	9.25	9.15	15/16	1B	E	2-5/8	7/8	32.2
6-5V9.75	228.00	QDS08	9.75	9.65	15/16	1B	E	2-5/8	7/8	36.2
6-5V10.30	248.00	QDS08	10.30	10.20	9/16	1W	E	2-5/8	1-1/4	33.6
6-5V10.90	260.00	QDS08	10.90	10.80	9/16	1W	E	2-5/8	1-1/4	36.9
6-5V11.30	260.00	QDS08	11.30	11.20	9/16	1W	E	2-5/8	1-1/4	37.7
6-5V11.80	262.00	QDS08	11.80	11.70	9/16	1W	E	2-5/8	1-1/4	38.5
6-5V12.50	320.00	QDS08	12.50	12.40	17/32	1W	F	3-5/8	9/32	43.3
6-5V13.20	342.00	QDS08	13.20	13.10	17/32	1W	F	3-5/8	9/32	46.0
6-5V14.00	384.00	QDS08	14.00	13.90	17/32	1W	F	3-5/8	9/32	45.7
6-5V15.00	424.00	QDS08	15.00	14.90	17/32	1A	F	3-5/8	9/32	49.2
6-5V16.00	464.00	QDS08	16.00	15.90	17/32	1A	F	3-5/8	9/32	77.0
6-5V18.70	520.00	QDS08	18.70	18.60	3/32	1A	F	3-5/8	23/32	78.6
6-5V21.20	590.00	QDS08	21.20	21.10	7/32	6A	F	3-5/8	1-1/32	96.1
6-5V23.60	660.00	QDS08	23.60	23.50	15/32	6A	J	4-1/2	13/32	114.3
6-5V28.00	740.00	QDS08	28.00	27.90	15/32	6A	J	4-1/2	13/32	130.6
6-5V31.50	1180.00	QDS10	31.50	31.40	15/32	6A	J	4-1/2	13/32	155.0
6-5V37.50	1440.00	QDS10	37.50	37.40	15/32	6A	J	4-1/2	13/32	221.0
6-5V50.00	2220.00	QDS10	50.00	49.90	1-13/32	5A	M°	6-3/4	29/32	350.0

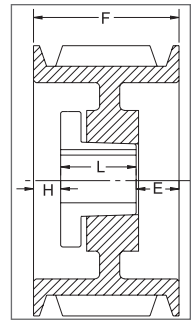
P.D. for "5V" Belts = O.D.

*Note: M-N-P-W bushings are standard mounting only for these parts.

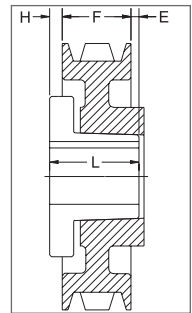
¹ Reverse mount only.

* Mounting bolts are supplied by Baldor with these parts.

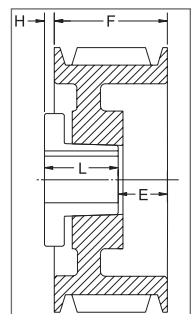
Type of sheave "T": A = arms; B = block; W = web



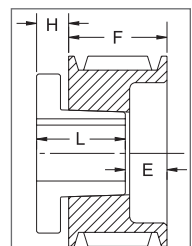
TYPE 1



TYPE 5



TYPE 6



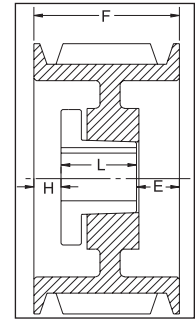
TYPE 11

8V SECTION

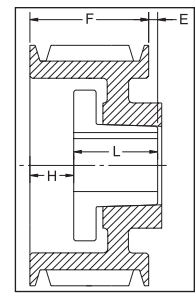
4 GROOVES

Dimensions

Part Number	List Price	Mult. Sym.	O.D.	Datum dia.	F = 4-7/8 inches					
					H	Type	B	L	E	Approx. Wt. (lbs)
4-8V12.50	544.00	QDS10	12.5	12.3	1/32	6W	F	3-5/8	1-9/32	69.0
4-8V13.20	552.00	QDS10	13.2	13.0	1/32	6W	F	3-5/8	1-9/32	72.5
4-8V14.00	560.00	QDS10	14.0	13.8	1/32	6W	F	3-5/8	1-9/32	84.0
4-8V15.00	596.00	QDS10	15.0	14.8	1/32	6W	F	3-5/8	1-9/32	92.8
4-8V16.00	660.00	QDS10	16.0	15.8	1/32	6A	F	3-5/8	1-9/32	83.5
4-8V17.00	720.00	QDS10	17.0	16.8	1/32	1A	F	3-5/8	1-7/32	106.0
4-8V18.00	760.00	QDS10	18.0	17.8	1/32	1A	F	3-5/8	1-7/32	100.0
4-8V19.00	790.00	QDS10	19.0	18.8	1/32	6A	F	3-5/8	1-9/32	113.0
4-8V20.00	820.00	QDS10	20.0	19.8	3/32	1A	J	4-1/2	9/32	117.8
4-8V21.20	840.00	QDS10	21.2	21.0	3/32	1A	J	4-1/2	9/32	139.0
4-8V22.40	886.00	QDS10	22.4	22.2	3/32	1A	J	4-1/2	9/32	150.0
4-8V24.80	1190.00	QDS10	24.8	24.6	27/32	5A	M°	6-3/4	1-1/32	225.0
4-8V30.00	1350.00	QDS10	30.0	29.8	27/32	5A	M°	6-3/4	1-1/32	261.0
4-8V35.50	1790.00	QDS10	35.5	35.3	27/32	5A	M°	6-3/4	1-1/32	321.0
4-8V40.00	1970.00	QDS10	40.0	39.8	27/32	5A	M°	6-3/4	1-1/32	365.0
4-8V44.50	2590.00	QDS10	44.5	44.3	27/32	5A	M°	6-3/4	1-1/32	424.0
4-8V53.00	3240.00	QDS10	53.0	52.8	27/32	5A	M°	6-3/4	1-1/32	560.0



TYPE 1

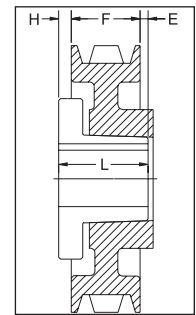


TYPE 2

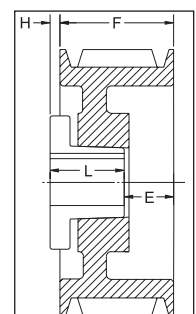
5 GROOVES

Dimensions

Part Number	List Price	Mult. Sym.	O.D.	Datum dia.	F = 6 inches					
					H	Type	B	L	E	Approx. Wt. (lbs)
5-8V12.50	588.00	QDS10	12.5	12.3	1-1/16	1W	F	3-5/8	1-5/16	78.0
5-8V13.20	618.00	QDS10	13.2	13.0	1-1/16	1W	F	3-5/8	1-5/16	84.9
5-8V14.00	660.00	QDS10	14.0	13.8	1-1/16	1W	F	3-5/8	1-5/16	93.0
5-8V15.00	700.00	QDS10	15.0	14.8	1-3/32	1W	F	3-5/8	1-9/32	105.0
5-8V16.00	740.00	QDS10	16.0	15.8	1-3/32	1A	F	3-5/8	1-9/32	113.0
5-8V17.00	846.00	QDS10	17.0	16.8	19/32	1A	J	4-1/2	29/32	119.0
5-8V18.00	900.00	QDS10	18.0	17.8	19/32	1A	J	4-1/2	29/32	132.5
5-8V19.00	960.00	QDS10	19.0	18.8	19/32	1A	J	4-1/2	29/32	126.0
5-8V20.00	990.00	QDS10	20.0	19.8	19/32	1A	J	4-1/2	29/32	135.0
5-8V21.20	1150.00	QDS10	21.2	21.0	19/32	1A	J	4-1/2	29/32	160.0
5-8V22.40	1310.00	QDS10	22.4	22.2	9/32	2A	M°	6-3/4	1-1/32	217.0
5-8V24.80	1390.00	QDS10	24.8	24.6	5/16	2A	M°	6-3/4	1-1/16	246.0
5-8V30.00	1570.00	QDS10	30.0	29.8	5/16	2A	M°	6-3/4	1-1/16	296.0
5-8V35.50	1990.00	QDS10	35.5	35.3	5/16	2A	M°	6-3/4	1-1/16	377.0
5-8V40.00	2240.00	QDS10	40.0	39.8	5/16	2A	M°	6-3/4	1-1/16	441.0
5-8V44.50	2990.00	QDS10	44.5	44.3	1-5/16	5A	N°	8-1/8	13/16	528.0
5-8V53.00	3480.00	QDS10	53.0	52.8	1-5/16	5A	N°	8-1/8	13/16	669.0



TYPE 5



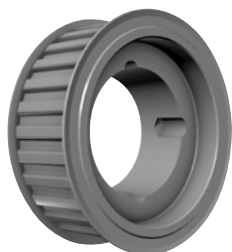
TYPE 6

P.D. for "8V" Belts = O.D. Type of sheave "T": A = arms; B = block; W = web

° Note: M-N-P-W bushings are standard mounting only for these parts.

For more details and additional products, see complete Baldor•Maska® Product Catalog or www.baldor.com

Timing Pulley



Features: All parts are completely machined in cast iron; some parts made from steel. Synchronized no-slip transmission. No lubrication required. Compact design, high efficiency. Low maintenance, economical operations.

Note: Baldor double taper-style timing pulleys are no longer being manufactured. They will be gradually replaced by the more conventional single taper model (equivalent compatible products).

How to order: Example: P30H300-2012; P30 = number of teeth (30). H = Tooth Pitch (1/2"). 300: =Timing Belt Width (3.00"). 2012 = Hub Size relates to the taper lock bushing. PB = indicates available in Plain Bore

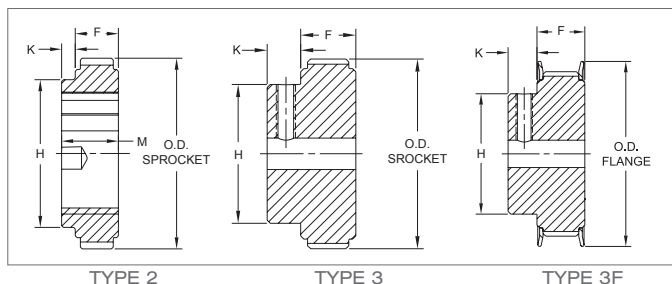
XL Pitch

For Belts 1/4", 5/16" & 3/8" wide - 1/5" pitch (XL037) - Face width (F) = 9/16"

Part Number	List Price	Mult. Sym.	Bushing	Number of Teeth	Diameters			Type	Dimensions (inches)				Bore Range		Approx. Wt. (lbs)	
					Pitch Diam.	O.D.			I.D.	K	M	N	H	Min.		Max.
						Sprocket	Flange									
P10XL037-PB	9.00	TPL40	...	10	0.637	0.617	0.91	...	3B F	1/4	1/2	3/16	1/4*	0.05
P11XL037-PB	9.40	TPL40	...	11	0.700	0.680	0.91	...	3B F	1/4	1/2	3/16	1/4*	0.05
P12XL037-PB	9.80	TPL40	...	12	0.764	0.744	0.98	...	3B F	1/4	1/2	3/16	5/16*	0.07
P14XL037-PB	11.70	TPL40	...	14	0.891	0.871	1.10	...	3B F	1/4	9/16	1/4	3/8*	0.09
P15XL037-PB	12.10	TPL40	...	15	0.955	0.935	1.10	...	3B F	1/4	5/8	1/4	7/16*	0.10
P16XL037-PB	12.80	TPL40	...	16	1.019	0.999	1.26	...	3B F	1/4	11/16	1/4	1/2*	0.12
P18XL037-PB	14.30	TPL40	...	18	1.146	1.126	1.38	...	3B F	1/4	13/16	1/4	9/16*	0.16
P20XL037-PB	15.10	TPL40	...	20	1.273	1.253	1.50	...	3B F	11/32	15/16	1/4	11/16*	0.21
P21XL037-PB	16.20	TPL40	...	21	1.337	1.317	1.50	...	3B F	11/32	15/16	1/4	11/16*	0.23
P22XL037-PB	16.60	TPL40	...	22	1.401	1.381	1.61	...	3B F	11/32	1	1/4	3/4*	0.26
P24XL037-PB	18.50	TPL40	...	24	1.528	1.508	1.73	...	3B F	11/32	1-1/16	1/4	13/16*	0.31
P28XL037-PB	21.10	TPL40	...	28	1.783	1.763	2.01	...	3B F	11/32	1-3/16	1/4	15/16*	0.42
P30XL037-PB	22.20	TPL40	...	30	1.910	1.890	2.13	...	3B F	11/32	1-3/8	5/16	1-1/16*	0.41
P32XL037-PB	22.60	TPL40	...	32	2.037	2.017	3B	7/16	1-1/2	5/16	1-3/16*	0.63
P36XL037-PB	23.00	TPL40	...	36	2.292	2.272	3B	7/16	1-1/2	5/16	1-3/16*	0.74
P40XL037-PB	23.40	TPL40	...	40	2.546	2.526	3B	7/16	1-1/2	5/16	1-3/16*	0.88
P42XL037-PB	23.80	TPL40	...	42	2.674	2.654	3B	7/16	1-1/2	5/16	1-3/16*	0.96
P44XL037-PB	24.50	TPL40	...	44	2.801	2.781	3B	7/16	1-1/2	5/16	1-3/16*	1.03
P48XL037-PB	26.00	TPL40	...	48	3.056	3.036	3B	7/16	1-1/2	5/16	1-3/16*	1.20
P60XL037-PB	31.30	TPL40	...	60	3.820	3.800	3B	7/16	1-1/2	3/8	1-3/16*	1.78
P72XL037-PB	39.20	TPL40	...	72	4.584	4.564	3B	7/16	1-1/2	3/8	1-3/16*	2.51
**P32XL037-1108	27.50	TPL40	1108	32	2.037	2.017	2B	0	25/32	1/2	1-1/8	0.25
**P36XL037-1108	28.40	TPL40	1108	36	2.292	2.272	2B	0	25/32	1/2	1-1/8	0.38
P40XL037-1108	29.50	TPL40	1108	40	2.546	2.526	2B	7/32	25/32	...	2-5/32	1/2	1-1/8	0.57
P42XL037-1108	31.10	TPL40	1108	42	2.674	2.654	2B	7/32	25/32	...	2-17/64	1/2	1-1/8	0.67
P44XL037-1108	32.50	TPL40	1108	44	2.801	2.781	2B	7/32	25/32	...	2-11/32	1/2	1-1/8	0.77
P48XL037-1108	35.90	TPL40	1108	48	3.056	3.036	2B	7/32	25/32	...	2-19/32	1/2	1-1/8	0.99
P60XL037-1210	37.50	TPL40	1210	60	3.820	3.800	2B	7/16	63/64	...	3-13/32	1/2	1-1/4	2.02
P72XL037-1610	39.10	TPL40	1610	72	4.584	4.564	2B	7/16	63/64	...	4	1/2	1-11/16	2.86

*Available from stock in min. plain bore. Max. bore is w/o keyway. (If keyway is used, reduce max. bore listed by twice the keyway depth.) (Two hex-socket set screws furnished @ 90 degrees are included in price of pulley.)

**These parts are made of steel



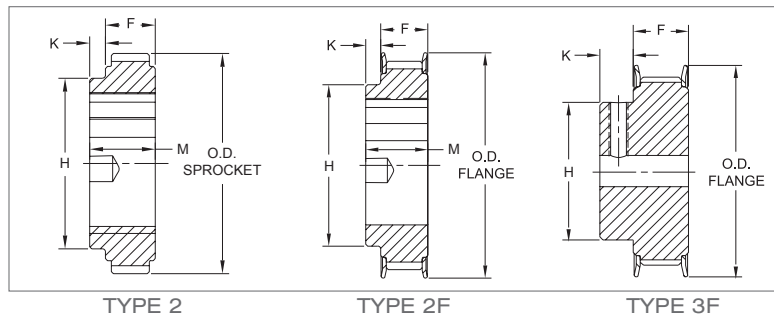
Timing Pulley L Pitch

For belts 1/2" wide - 3/8" pitch (L050) - Face Width (F) = 3/4"

Part Number	List Price	Mult. Sym.	Bushing	Number of Teeth	Diameters			Type	Dimensions (inches)				Bore Range		Approx. Wt. (lbs)	
					Pitch Diam.	O.D.			K	M	N	H	Min.	Max.		
						Sprocket	Flange									I.D.
P10L050-PB	14.60	TPL40	...	10	1.194	1.164	1.46	...	3B F	1/2	7/8	3/8	*1/2	0.20
P12L050-PB	16.10	TPL40	...	12	1.432	1.402	1.69	...	3B F	1/2	1-1/8	3/8	*3/4	0.34
P13L050-PB	17.00	TPL40	...	13	1.552	1.522	1.73	...	3B F	1/2	1-7/32	3/8	*3/4	0.42
P14L050-PB	18.80	TPL40	...	14	1.671	1.641	1.89	...	3B F	1/2	1-5/16	3/8	*7/8	0.48
P15L050-PB	19.20	TPL40	...	15	1.790	1.760	2.01	...	3B F	1/2	1-3/8	1/2	*7/8	0.53
P16L050-PB	20.60	TPL40	...	16	1.910	1.880	2.13	...	3B F	1/2	1-1/2	1/2	*1	0.62
P17L050-PB	21.80	TPL40	...	17	2.029	1.999	2.24	...	3B F	1/2	1-1/2	1/2	*1	0.70
P18L050-1108	27.50	TPL40	1108	18	2.149	2.119	2.38	...	2B F	1/32	25/32	...	1-49/64	1/2	1-1/8	0.40
P20L050-1108	28.40	TPL40	1108	20	2.387	2.357	2.64	...	2B F	1/32	25/32	...	2	1/2	1-1/8	0.55
P21L050-1108	29.10	TPL40	1108	21	2.507	2.477	2.76	...	2B F	1/32	25/32	...	1-31/32	1/2	1-1/8	0.65
P22L050-1108	29.50	TPL40	1108	22	2.626	2.596	2.95	...	2B F	1/32	25/32	...	2-11/64	1/2	1-1/8	0.75
**P24L050-1210	31.10	TPL40	1210	24	2.865	2.835	3.13	...	2B F	15/64	63/64	...	2-9/32	1/2	1-1/4	0.90
P26L050-1210	32.50	TPL40	1210	26	3.104	3.074	3.40	...	2B F	15/64	63/64	...	2-9/16	1/2	1-1/4	1.10
P28L050-1210	34.80	TPL40	1210	28	3.342	3.312	3.59	...	2B F	15/64	63/64	...	2-9/16	1/2	1-1/4	1.30
**P30L050-1610	35.00	TPL40	1610	30	3.581	3.551	3.83	...	2B F	15/64	63/64	...	2-3/4	1/2	1-11/16	1.40
P32L050-1610	53.90	TPL40	1610	32	3.820	3.790	4.04	...	2B F	15/64	63/64	...	2-29/32	1/2	1-11/16	1.65
P40L050-2012	58.50	TPL40	2012	40	4.775	4.745	5.05	...	2B F	7/16	1-3/16	...	3-13/16	1/2	2-1/8	3.00
P48L050-2012	68.60	TPL40	2012	48	5.730	5.700	5.91	...	2B F	7/16	1-3/16	...	3-15/16	1/2	2-1/8	4.55
P60L050-2012	75.80	TPL40	2012	60	7.162	7.132	2W	7/16	1-3/16	...	4-11/64	1/2	2-1/8	6.15
P72L050-2012	81.50	TPL40	2012	72	8.594	8.564	2W	7/16	1-3/16	...	4-11/64	1/2	2-1/8	9.55
P84L050-2517	93.70	TPL40	2517	84	10.027	9.997	2W	1-1/64	1-49/64	...	4-11/16	1/2	2-11/16	13.75

*Available from stock in min. plain bore only. Max. bore is without keyway. (If keyway is used, reduce max. bore listed by twice the keyway depth.)

**These parts are made of steel

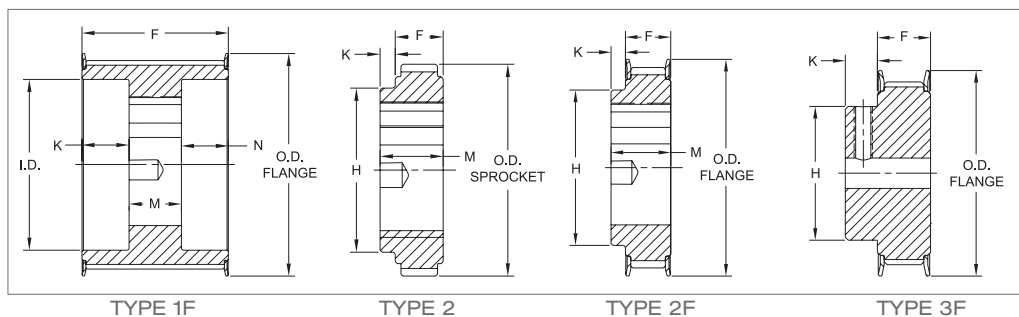


**Timing Pulley
L Pitch**

For Belts 3/4" wide - 3/8" pitch (L075) - Face width (F) = 1"

Part Number	List Price	Mult. Sym.	Bushing	Number of Teeth	Diameters				Type	Dimensions (inches)				Bore Range		Approx. Wt. (lbs)
					Pitch Diam.	O.D.		I.D.		K	M	N	H	Min.	Max.	
						Sprocket	Flange									
P12L075-PB	19.50	TPL40	...	12	1.432	1.402	1.69	...	3B F	1/2	1-1/8	3/8	*3/4	0.43
P13L075-PB	19.90	TPL40	...	13	1.552	1.522	1.73	...	3B F	1/2	1-7/32	3/8	*3/4	0.50
P14L075-PB	21.30	TPL40	...	14	1.671	1.641	1.89	...	3B F	1/2	1-5/16	3/8	*7/8	0.53
P15L075-PB	22.00	TPL40	...	15	1.790	1.760	2.01	...	3B F	1/2	1-3/8	1/2	*7/8	0.60
P16L075-PB	22.80	TPL40	...	16	1.910	1.880	2.13	...	3B F	1/2	1-1/2	1/2	*1	0.70
P17L075-PB	24.00	TPL40	...	17	2.029	1.999	2.24	...	3B F	1/2	1-1/2	1/2	*1	0.80
P18L075-1108	29.10	TPL40	1108	18	2.149	2.119	2.38	1.60	1B F	13/64	25/32	0	...	1/2	1-1/8	0.45
P20L075-1108	30.50	TPL40	1108	20	2.387	2.357	2.64	1.77	1B F	13/64	25/32	0	...	1/2	1-1/8	0.65
P22L075-1108	33.20	TPL40	1108	22	2.626	2.596	2.95	1.89	1B F	13/64	25/32	0	...	1/2	1-1/8	0.90
P24L075-1210	34.80	TPL40	1210	24	2.865	2.835	3.13	...	2B F	0	63/64	1/2	1-1/4	0.90
P26L075-1210	36.80	TPL40	1210	26	3.104	3.074	3.40	...	2B F	0	63/64	1/2	1-1/4	1.25
P28L075-1610	39.50	TPL40	1610	28	3.342	3.312	3.59	...	2B F	0	63/64	1/2	1-11/16	1.20
P30L075-1610	42.50	TPL40	1610	30	3.581	3.551	3.83	...	2B F	0	63/64	1/2	1-11/16	1.85
P32L075-1610	45.20	TPL40	1610	32	3.820	3.790	4.04	...	2B F	0	63/64	1/2	1-11/16	1.85
P40L075-2012	62.50	TPL40	2012	40	4.775	4.745	5.05	...	2B F	13/64	1-3/16	...	3-13/16	1/2	2-1/8	3.30
P48L075-2012	71.70	TPL40	2012	48	5.730	5.700	5.91	...	2B F	13/64	1-3/16	...	3-15/16	1/2	2-1/8	5.35
P60L075-2012	82.20	TPL40	2012	60	7.162	7.132	2W	13/64	1-3/16	...	4-11/64	1/2	2-1/8	6.45
P72L075-2012	89.20	TPL40	2012	72	8.594	8.564	2W	13/64	1-3/16	...	4-11/64	1/2	2-1/8	9.70
P84L075-2517	109.60	TPL40	2517	84	10.027	9.997	2W	25/32	1-49/64	...	4-11/16	1/2	2-11/16	14.55

*Available from stock in min. plain bore only. Max. bore is without keyway. (If keyway is used, reduce max. bore listed by twice the keyway depth.)

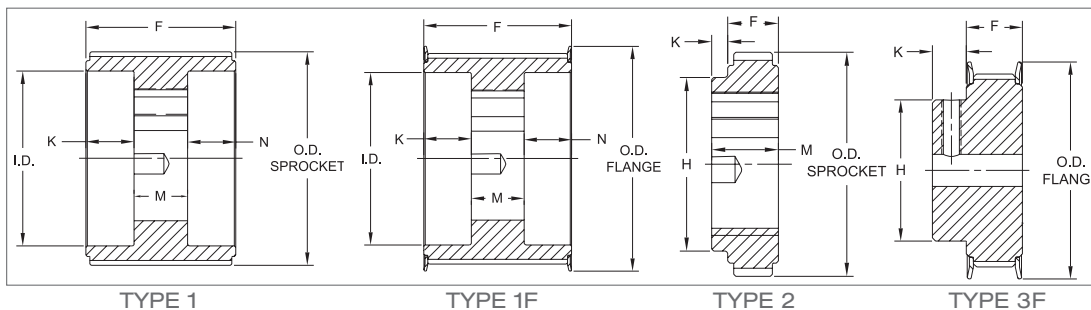


Timing Pulley L Pitch

For Belts 1" wide - 3/8" pitch (L100) - Face width (F) = 1-1/4"

Part Number	List Price	Mult. Sym.	Bushing	Number of Teeth	Diameters			Type	Dimensions (inches)				Bore Range		Approx. Wt. (lbs)	
					Pitch Diam.	O.D.			I.D.	K	M	N	H	Min.		Max.
						Sprocket	Flange									
P13L100-PB	22.50	TPL40	...	13	1.552	1.522	1.73	...	3B F	1/2	1-7/32	3/8	*3/4	0.60
P14L100-PB	23.30	TPL40	...	14	1.671	1.641	1.89	...	3B F	1/2	1-5/16	3/8	*7/8	0.65
P15L100-PB	24.00	TPL40	...	15	1.790	1.760	2.01	...	3B F	1/2	1-3/8	1/2	*7/8	0.74
P16L100-PB	24.80	TPL40	...	16	1.910	1.880	2.13	...	3B F	1/2	1-1/2	1/2	*1	0.80
P17L100-PB	26.30	TPL40	...	17	2.029	1.999	2.24	...	3B F	1/2	1-1/2	1/2	*1	1.00
P18L100-1108	32.00	TPL40	1108	18	2.149	2.119	2.38	1.60	1B F	15/32	25/32	0	...	1/2	1-1/8	0.55
P20L100-1108	33.60	TPL40	1108	20	2.387	2.357	2.64	1.77	1B F	15/32	25/32	0	...	1/2	1-1/8	0.80
P22L100-1108	36.40	TPL40	1108	22	2.626	2.596	2.95	1.89	1B F	15/32	25/32	0	...	1/2	1-1/8	1.05
P24L100-1210	37.50	TPL40	1210	24	2.865	2.835	3.13	2.24	1B F	9/32	63/64	0	...	1/2	1-1/4	1.25
P26L100-1210	40.00	TPL40	1210	26	3.104	3.074	3.40	2.36	1B F	9/32	63/64	0	...	1/2	1-1/4	1.45
P28L100-1610	42.50	TPL40	1610	28	3.342	3.312	3.59	2.54	1B F	9/32	63/64	0	...	1/2	1-11/16	1.45
P30L100-1610	46.10	TPL40	1610	30	3.581	3.551	3.83	2.80	1B F	9/32	63/64	0	...	1/2	1-11/16	1.75
P32L100-1610	49.80	TPL40	1610	32	3.820	3.790	4.04	2.95	1B F	9/32	63/64	0	...	1/2	1-11/16	2.15
P40L100-2012	67.90	TPL40	2012	40	4.775	4.745	5.05	3.78	1B F	5/64	1-3/16	0	...	1/2	2-1/8	3.75
P48L100-2012	78.80	TPL40	2012	48	5.730	5.700	5.91	4.72	1B F	5/64	1-3/16	0	...	1/2	2-1/8	6.10
P60L100-2012	92.70	TPL40	2012	60	7.162	7.132	...	6.54	1W	5/64	1-3/16	0	...	1/2	2-1/8	6.95
P72L100-2012	112.20	TPL40	2012	72	8.594	8.564	...	7.95	1W	5/64	1-3/16	0	...	1/2	2-1/8	10.60
P84L100-2517	128.70	TPL40	2517	84	10.027	9.997	2W	33/64	1-49/64	...	4-11/16	1/2	2-11/16	15.15

*Available from stock in min. plain bore. Max. bore is w/o keyway. (If keyway is used, reduce max. bore listed by twice the keyway depth.)



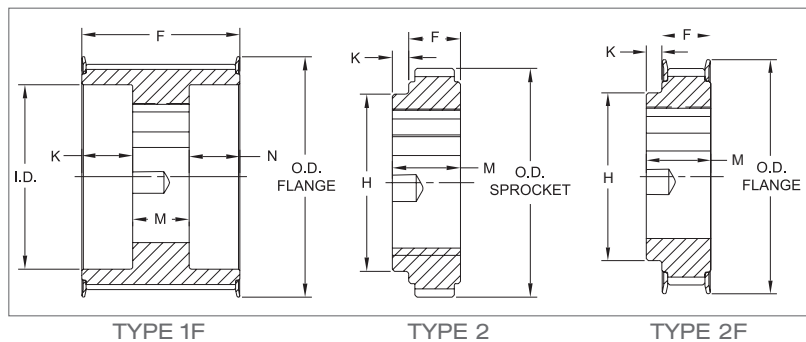
Timing Pulley
H Pitch

For Belts 1" wide - 1/2" pitch (H100) - Face width (F) = 1-1/4"

Part Number	List Price	Mult. Sym.	Bushing	Number of Teeth	Diameters				Type	Dimensions (inches)				Bore Range		Approx. Wt. (lbs)
					Pitch Diam.	O.D.		I.D.		K	M	N	H	Min.	Max.	
						Sprocket	Flange									
*P14H100-1108	32.50	TPL40	1108	14	2.228	2.174	2.52	1.60	1B F	7/16	25/32	0	...	1/2	1-1/8	0.70
*P16H100-1108	35.50	TPL40	1108	16	2.546	2.492	2.77	1.77	1B F	7/16	25/32	0	...	1/2	1-1/8	0.90
*P18H100-1210	37.50	TPL40	1210	18	2.865	2.811	3.12	2.24	1B F	15/64	63/64	0	...	1/2	1-1/4	1.00
*P20H100-1210	41.10	TPL40	1210	20	3.183	3.129	3.40	2.36	1B F	15/64	63/64	0	...	1/2	1-1/4	1.45
P22H100-1610	48.90	TPL40	1610	22	3.501	3.447	3.70	2.64	1B F	9/32	63/64	0	...	1/2	1-11/16	1.60
P24H100-1610	54.30	TPL40	1610	24	3.820	3.766	4.04	2.89	1B F	9/32	63/64	0	...	1/2	1-11/16	2.10
P26H100-2012	62.00	TPL40	2012	26	4.138	4.084	4.41	3.23	1B F	5/64	1-3/16	0	...	1/2	2-1/8	2.25
P28H100-2012	66.10	TPL40	2012	28	4.456	4.402	4.74	3.56	1B F	5/64	1-3/16	0	...	1/2	2-1/8	2.95
P30H100-2012	69.70	TPL40	2012	30	4.775	4.721	5.04	3.86	1B F	5/64	1-3/16	0	...	1/2	2-1/8	3.60
P32H100-2517	69.70	TPL40	2517	32	5.093	5.039	5.32	...	2B F	33/64	1-49/64	...	4-11/64	1/2	2-11/16	4.20
P40H100-2517	92.30	TPL40	2517	40	6.366	6.312	6.63	...	2W F	33/64	1-49/64	...	4-11/16	1/2	2-11/16	7.40
P48H100-2517	119.70	TPL40	2517	48	7.639	7.585	7.87	...	2W F	33/64	1-49/64	...	4-11/16	1/2	2-11/16	9.95
**P60H100-3020	163.40	TPL40	3020	60	9.549	9.495	2W	5/8	1-31/32	...	2-29/32	7/8	3-1/4	16.45
**P72H100-3020	166.60	TPL40	3020	72	11.459	11.405	2W	5/8	1-31/32	...	5-29/32	7/8	3-1/4	22.75
**P84H100-3020	205.60	TPL40	3020	84	13.369	13.315	2W	5/8	1-31/32	...	5-29/32	7/8	3-1/4	29.90
**P96H100-3020	256.60	TPL40	3020	96	15.279	15.225	2A	5/8	1-31/32	...	5-29/32	7/8	3-1/4	28.75
**P120H100-3020	411.60	TPL40	3020	120	19.099	19.045	2A	5/8	1-31/32	...	5-29/32	7/8	3-1/4	42.25

* Face width (F) = 1-7/32"

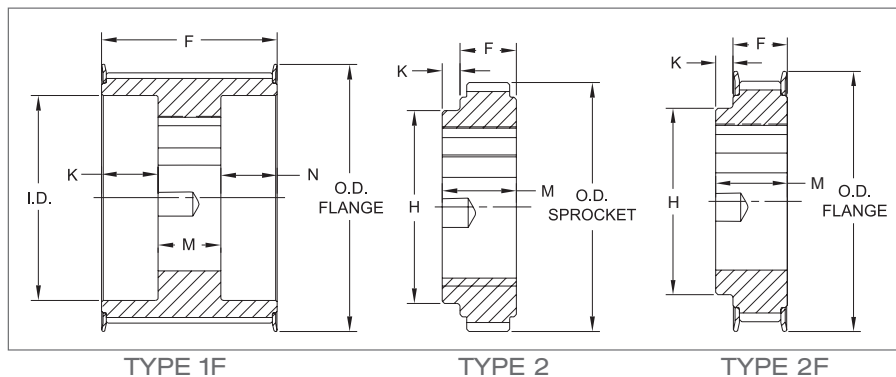
** Face width (F) = 1-11/32"



Timing Pulley
H Pitch

For Belts 1-1/2" wide - 1/2" pitch (H150) - Face width (F) = 1-3/4"

Part Number	List Price	Mult. Sym.	Bushing	Number of Teeth	Diameters				Type	Dimensions (inches)				Bore Range		Approx. Wt. (lbs)
					Pitch Diam.	O.D.		I.D.		K	M	N	H	Min.	Max.	
						Sprocket	Flange									
P14H150-1108	43.20	TPL40	1108	14	2.228	2.174	2.52	1.60	1B F	63/64	25/32	0	...	1/2	1-1/8	0.80
P16H150-1108	47.30	TPL40	1108	16	2.546	2.492	2.77	1.77	1B F	63/64	25/32	0	...	1/2	1-1/8	1.20
P18H150-1210	48.90	TPL40	1210	18	2.865	2.811	3.12	2.24	1B F	25/32	63/64	0	...	1/2	1-1/4	1.30
P20H150-1210	54.50	TPL40	1210	20	3.183	3.129	3.40	2.36	1B F	25/32	63/64	0	...	1/2	1-1/4	1.85
P22H150-1610	61.10	TPL40	1610	22	3.501	3.447	3.70	2.64	1B F	25/32	63/64	0	...	1/2	1-11/16	2.10
P24H150-2012	66.10	TPL40	2012	24	3.820	3.766	4.04	3.13	1B F	19/32	1-3/16	0	...	1/2	2-1/8	2.05
P26H150-2012	73.40	TPL40	2012	26	4.138	4.084	4.41	3.23	1B F	19/32	1-3/16	0	...	1/2	2-1/8	2.80
P28H150-2012	77.50	TPL40	2012	28	4.456	4.402	4.74	3.56	1B F	19/32	1-3/16	0	...	1/2	2-1/8	3.50
P30H150-2012	81.80	TPL40	2012	30	4.775	4.721	5.04	3.86	1B F	19/32	1-3/16	0	...	1/2	2-1/8	4.30
P32H150-2517	82.90	TPL40	2517	32	5.093	5.039	5.32	...	2B F	0	1-49/64	1/2	2-11/16	4.90
P40H150-2517	107.70	TPL40	2517	40	6.366	6.312	6.63	...	2W F	0	1-49/64	1/2	2-11/16	8.20
P48H150-2517	138.90	TPL40	2517	48	7.639	7.585	7.87	...	2W F	0	1-49/64	1/2	2-11/16	11.25
P60H150-3020	153.40	TPL40	3020	60	9.549	9.495	2W	13/64	1-31/32	...	6-19/64	7/8	3-1/4	10.80
P72H150-3020	193.10	TPL40	3020	72	11.459	11.405	2W	13/64	1-31/32	...	6-19/64	7/8	3-1/4	25.20
P84H150-3020	240.50	TPL40	3020	84	13.369	13.315	2W	13/64	1-31/32	...	6-19/64	7/8	3-1/4	32.40
P96H150-3020	304.80	TPL40	3020	96	15.279	15.225	2A	13/64	1-31/32	...	6-19/64	7/8	3-1/4	31.52
P120H150-3020	499.80	TPL40	3020	120	19.099	19.045	2A	13/64	1-31/32	...	6-19/64	7/8	3-1/4	46.50

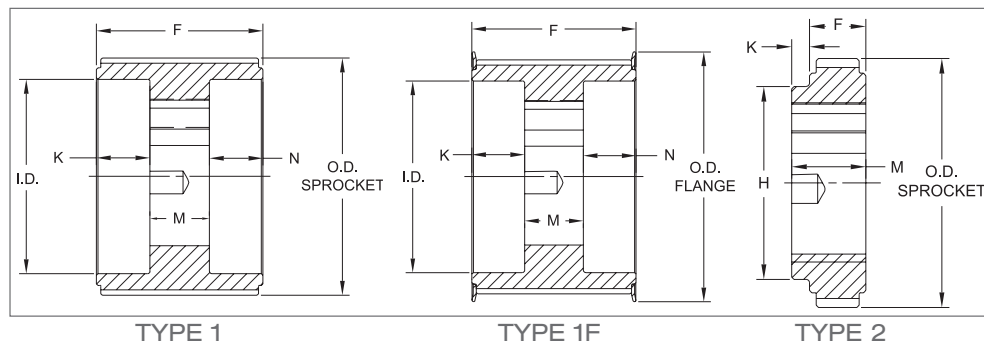


Timing Pulley
H Pitch

For Belts 2" wide - 1/2" pitch (H200) - Face width (F) = 2-9/32"

Part Number	List Price	Mult. Sym.	Bushing	Number of Teeth	Diameters				Type	Dimensions (inches)				Bore Range		Approx. Wt. (lbs)
					Pitch Diam.	O.D.		I.D.		K	M	N	H	Min.	Max.	
						Sprocket	Flange									
P16H200-1108	60.00	TPL40	1108	16	2.546	2.492	2.77	1.77	1B F	1-1/2	25/32	0	...	1/2	1-1/8	1.50
P18H200-1210	62.70	TPL40	1210	18	2.865	2.811	3.12	2.24	1B F	1-19/64	63/64	0	...	1/2	1-1/4	1.50
P20H200-1210	69.30	TPL40	1210	20	3.183	3.129	3.40	2.36	1B F	1-19/64	63/64	0	...	1/2	1-1/4	2.30
P22H200-1610	71.80	TPL40	1610	22	3.501	3.447	3.70	2.64	1B F	1-19/64	63/64	0	...	1/2	1-11/16	2.55
P24H200-2012	76.60	TPL40	2012	24	3.820	3.766	4.04	3.15	1B F	1-7/64	1-3/16	0	...	1/2	2-1/8	2.45
P26H200-2012	83.20	TPL40	2012	26	4.138	4.084	4.41	3.23	1B F	1-7/64	1-3/16	0	...	1/2	2-1/8	3.40
P28H200-2012	88.90	TPL40	2012	28	4.456	4.402	4.74	3.56	1B F	1-7/64	1-3/16	0	...	1/2	2-1/8	4.15
P30H200-2012	95.00	TPL40	2012	30	4.775	4.721	5.04	3.86	1B F	1-7/64	1-3/16	0	...	1/2	2-1/8	4.90
P32H200-2517	97.90	TPL40	2517	32	5.093	5.039	5.32	4.17	1B F	33/64	1-49/64	0	...	1/2	2-11/16	5.75
P40H200-2517	142.00	TPL40	2517	40	6.366	6.312	6.63	5.43	1W F	33/64	1-49/64	0	...	1/2	2-11/16	9.30
P48H200-3020	191.80	TPL40	3020	48	7.639	7.585	7.87	6.65	1B F	5/16	1-31/32	0	...	7/8	3-1/4	16.40
*P60H200-3020	205.40	TPL40	3020	60	9.549	9.495	...	8.78	1W	25/64	1-31/32	0	...	7/8	3-1/4	20.10
*P72H200-3020	258.40	TPL40	3020	72	11.459	11.405	...	10.62	1W	25/64	1-31/32	0	...	7/8	3-1/4	27.15
*P84H200-3020	292.80	TPL40	3020	84	13.369	13.315	...	12.60	1W	25/64	1-31/32	0	...	7/8	3-1/4	34.62
*P96H200-3535	352.70	TPL40	3535	96	15.279	15.225	2A	1-9/64	3-1/2	...	7-1/64	1-3/16	3-15/16	43.95
*P120H200-3535	587.70	TPL40	3535	120	19.099	19.045	2A	1-9/64	3-1/2	...	7-1/64	1-3/16	3-15/16	58.92

*Face width (F) = 2-11/32"

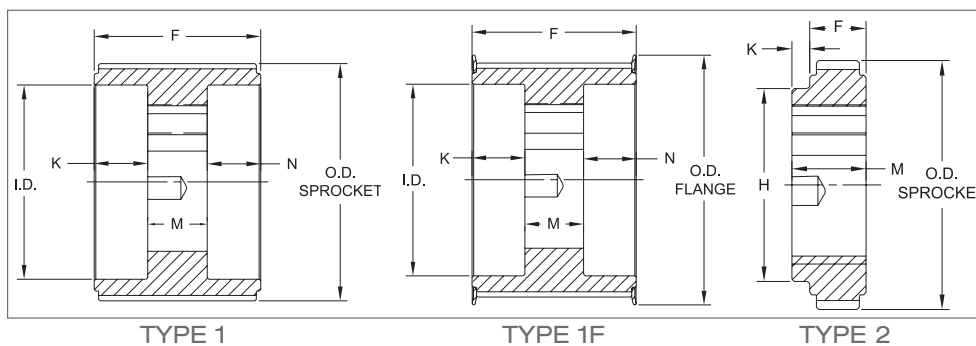


Timing Pulley H Pitch

For Belts 3" wide - 1/2" pitch (H300) - Face width (F) = 3-5/16"

Part Number	List Price	Mult. Sym.	Bushing	Number of Teeth	Diameters			Type	Dimensions (inches)				Bore Range		Approx. Wt. (lbs)	
					Pitch Diam.	O.D.			K	M	N	H	Min.	Max.		
						Sprocket	Flange									I.D.
P16H300-1108	79.70	TPL40	1108	16	2.546	2.492	2.77	1.82	1B F	1-17/64	25/32	1-17/64	...	1/2	1-1/8	2.00
P18H300-1210	88.60	TPL40	1210	18	2.865	2.811	3.12	2.24	1B F	1-5/32	63/64	1-5/32	...	1/2	1-1/4	2.05
P20H300-1210	107.70	TPL40	1210	20	3.183	3.129	3.40	2.36	1B F	1-5/32	63/64	1-5/32	...	1/2	1-1/4	3.05
P22H300-1610	106.80	TPL40	1610	22	3.501	3.447	3.70	2.64	1B F	1-5/32	63/64	1-5/32	...	1/2	1-11/16	3.50
P24H300-2012	114.30	TPL40	2012	24	3.820	3.766	4.04	2.95	1B F	1-1/16	1-3/16	1-1/16	...	1/2	2-1/8	4.05
P26H300-2012	120.70	TPL40	2012	26	4.138	4.084	4.41	3.23	1B F	1-1/16	1-3/16	1-1/16	...	1/2	2-1/8	4.60
P28H300-2012	127.30	TPL40	2012	28	4.456	4.402	4.74	3.56	1B F	1-1/16	1-3/16	1-1/16	...	1/2	2-1/8	5.40
P30H300-2012	140.50	TPL40	2012	30	4.775	4.721	5.04	3.86	1B F	1-1/16	1-3/16	1-1/16	...	1/2	2-1/8	6.45
P32H300-2517	148.80	TPL40	2517	32	5.093	5.039	5.32	4.17	1B F	49/64	1-49/64	49/64	...	1/2	2-11/16	7.25
P40H300-2517	184.20	TPL40	2517	40	6.366	6.312	6.63	5.43	1W F	1-17/32	1-49/64	0	...	1/2	2-11/16	11.40
**P48H300-3020	254.90	TPL40	3020	48	7.639	7.585	7.87	6.65	1B F	1-27/64	1-31/32	0	...	7/8	3-1/4	19.25
**P60H300-3020	254.50	TPL40	3020	60	9.549	9.495	...	8.78	1W	1-27/64	1-31/32	0	...	7/8	3-1/4	22.60
**P72H300-3020	332.00	TPL40	3020	72	11.459	11.405	...	10.62	1W	1-27/64	1-31/32	0	...	7/8	3-1/4	30.70
**P84H300-3020	412.60	TPL40	3020	84	13.369	13.315	...	12.60	1W	1-27/64	1-31/32	0	...	7/8	3-1/4	37.45
**P96H300-3535	494.20	TPL40	3535	96	15.279	15.225	2A	1/8	3-1/2	...	7-1/64	1-3/16	3-15/16	51.84
**P120H300-3535	704.80	TPL40	3535	120	19.099	19.045	2A	1/8	3-1/2	...	7-1/64	1-3/16	3-15/16	75.08

** Face width (F) = 3-3/8"



HTD Sprocket



Features: All parts are completely machined in cast iron; some parts made from steel. Positive, non-slip drive. No lubrication necessary, non-stretch. Smooth operation: no chain drive that results in vibration and speed variation. Clean operation, long-life expectancy, low maintenance. Quiet; no metal-to-metal contact

Note: Baldor does not recommend using HTD sprockets with QD bushings that do not have a keyseat. The synchronous sprockets detailed in the following tables are all stock sizes. All dimensions include the sprocket with the QD bushing in place and are in inches.

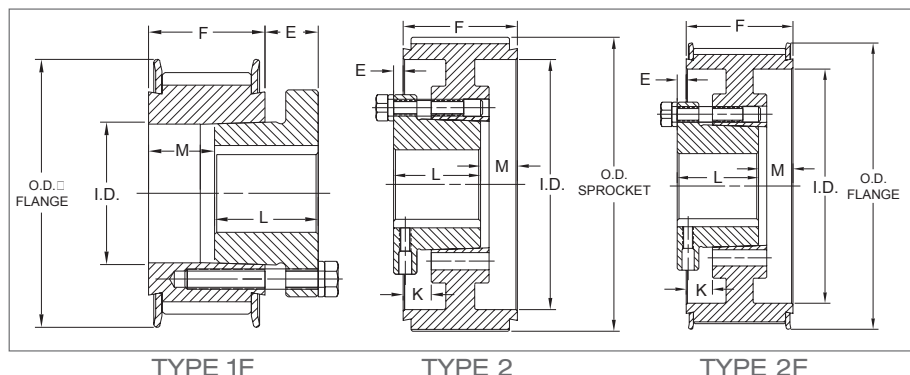
How to order: Example: P64-8M-50-SK; P64 = Number of teeth (64). 8M = Tooth pitch (8mm). 50 = High torque belt width (50mm). SK = Hub size related to qd bushing.

8 MM Pitch X 20 MM

For Belts 3/4" (20mm) wide - 8mm pitch (8M-20) - Face width (F) = 1-1/8"

Part Number	List Price	Mult. Sym.	Bushing	Number of Teeth	Diameters			Type	Dimensions (inches)				Bore Range		Approx. Wt. (lbs)	
					Pitch Diam.	O.D.			E	K	L	M	Min.	Max.		
						Sprocket	Flange									I.D.
*P24-8M-20-JA	53.00	HTD41	JA	24	2.406	2.352	2.60	1.34	1B F	33/64	...	1	41/64	1/2	1-1/4	0.85
P26-8M-20-JA	54.00	HTD41	JA	26	2.607	2.553	2.76	1.34	1B F	33/64	...	1	41/64	1/2	1-1/4	0.95
*P28-8M-20-L	55.00	HTD41	L	28	2.807	2.759	3.11	1.60	1B F	17/32	...	1-11/32	5/16	1/2	1-1/2	1.15
P30-8M-20-L	57.00	HTD41	L	30	3.008	2.958	3.25	1.60	1B F	17/32	...	1-11/32	5/16	1/2	1-1/2	1.40
P32-8M-20-L	59.00	HTD41	L	32	3.208	3.156	3.43	2.56	2B F	5/16	7/32	1-11/32	3/32	1/2	1-1/2	1.35
P34-8M-20-SH	60.00	HTD41	SH	34	3.409	3.355	3.58	2.75	2B F	1/4	3/8	1-1/4	1/8	1/2	1-11/16	1.30
P36-8M-20-SH	62.00	HTD41	SH	36	3.609	3.555	4.02	2.82	2B F	1/4	3/8	1-1/4	1/8	1/2	1-11/16	1.65
P38-8M-20-SH	64.00	HTD41	SH	38	3.810	3.756	4.17	3.00	2B F	1/4	3/8	1-1/4	1/8	1/2	1-11/16	1.85
P40-8M-20-SH	68.00	HTD41	SH	40	4.010	3.956	4.41	3.00	2B F	1/4	3/8	1-1/4	1/8	1/2	1-11/16	2.20
P44-8M-20-SDS	79.00	HTD41	SDS	44	4.411	4.357	4.73	3.50	2B F	5/16	3/8	1-5/16	1/8	1/2	2	2.55
P48-8M-20-SDS	92.00	HTD41	SDS	48	4.812	4.758	5.04	3.80	2B F	5/16	3/8	1-5/16	1/8	1/2	2	3.10
P56-8M-20-SDS	102.00	HTD41	SDS	56	5.614	5.560	5.91	4.60	2W F	5/16	3/8	1-5/16	1/8	1/2	2	4.00
P64-8M-20-SDS	125.00	HTD41	SDS	64	6.416	6.362	6.61	5.40	2W F	7/32	15/32	1-5/16	1/8	1/2	2	5.20
P72-8M-20-SDS	128.00	HTD41	SDS	72	7.218	7.164	7.56	6.20	2W F	7/32	15/32	1-5/16	1/8	1/2	2	7.25
P80-8M-20-SDS	138.00	HTD41	SDS	80	8.020	7.966	8.35	6.90	2W F	7/32	15/32	1-5/16	1/8	1/2	2	8.80
P90-8M-20-SDS	142.00	HTD41	SDS	90	9.023	8.969	...	7.90	2W	5/16	3/8	1-5/16	1/8	1/2	2	11.15

* These parts are made of steel.

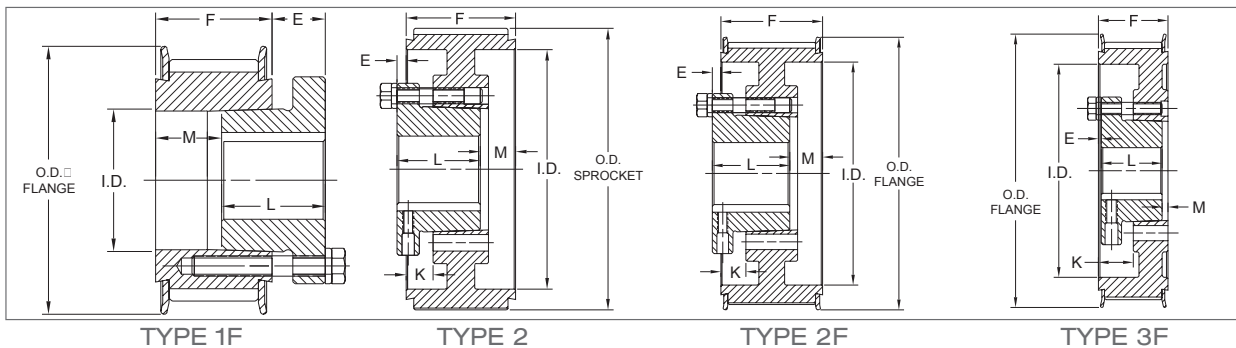


HTD Sprocket 8 MM Pitch X 30 MM

For Belts 1-3/16" (30mm) wide - 8mm pitch (8M-30) - Face width (F) = 1-1/2"

Part Number	List Price	Mult. Sym.	Bushing	Number of Teeth	Diameters				Type	Dimensions (inches)				Bore Range		Approx. Wt. (lbs)
					Pitch Diam.	O.D.		I.D.		E	K	L	M	Min.	Max.	
						Sprocket	Flange									
*P24-8M-30-JA	54.00	HTD41	JA	24	2.406	2.352	2.60	1.34	1B F	33/64	...	1	1-1/64	1/2	1-1/4	1.15
P26-8M-30-JA	56.00	HTD41	JA	26	2.607	2.553	2.76	1.34	1B F	33/64	...	1	1-1/64	1/2	1-1/4	1.25
*P28-8M-30-L	59.00	HTD41	L	28	2.807	2.759	3.11	1.60	1B F	17/32	...	1-11/32	11/16	1/2	1-1/2	1.40
P30-8M-30-L	60.00	HTD41	L	30	3.008	2.958	3.25	1.60	1B F	17/32	...	1-11/32	11/16	1/2	1-1/2	1.70
P32-8M-30-L	62.00	HTD41	L	32	3.208	3.156	3.43	2.56	3B F	1/16	19/32	1-11/32	3/32	1/2	1-1/2	1.60
P34-8M-30-SH	63.00	HTD41	SH	34	3.409	3.355	3.58	2.75	3B F	1/8	3/4	1-1/4	1/8	1/2	1-11/16	1.55
P36-8M-30-SH	68.00	HTD41	SH	36	3.609	3.555	4.02	2.82	3B F	1/8	3/4	1-1/4	1/8	1/2	1-11/16	2.00
P38-8M-30-SH	70.00	HTD41	SH	38	3.810	3.756	4.17	3.00	3B F	1/8	3/4	1-1/4	1/8	1/2	1-11/16	2.15
P40-8M-30-SH	78.00	HTD41	SH	40	4.010	3.956	4.41	3.00	3B F	1/8	3/4	1-1/4	1/8	1/2	1-11/16	2.65
P44-8M-30-SDS	86.00	HTD41	SDS	44	4.411	4.357	4.73	3.50	3B F	1/16	3/4	1-5/16	1/8	1/2	2	2.90
P48-8M-30-SDS	93.00	HTD41	SDS	48	4.812	4.758	5.04	3.80	3B F	1/16	3/4	1-5/16	1/8	1/2	2	3.55
P56-8M-30-SDS	104.00	HTD41	SDS	56	5.614	5.560	5.91	4.60	3W F	1/16	3/4	1-5/16	1/8	1/2	2	4.65
P64-8M-30-SK	126.00	HTD41	SK	64	6.416	6.362	6.61	5.40	2B F	15/32	11/32	1-7/8	3/16	1/2	2-5/8	8.45
P72-8M-30-SK	138.00	HTD41	SK	72	7.218	7.164	7.56	6.20	2W F	15/32	11/32	1-7/8	3/16	1/2	2-5/8	8.75
P80-8M-30-SK	142.00	HTD41	SK	80	8.020	7.966	8.35	6.90	2W F	15/32	11/32	1-7/8	3/16	1/2	2-5/8	10.80
P90-8M-30-SK	146.00	HTD41	SK	90	9.023	8.969	...	7.90	2W	9/16	1/4	1-7/8	3/16	1/2	2-5/8	13.00
P112-8M-30-SK	186.00	HTD41	SK	112	11.229	11.175	...	10.00	2A	9/16	1/4	1-7/8	3/16	1/2	2-5/8	14.25

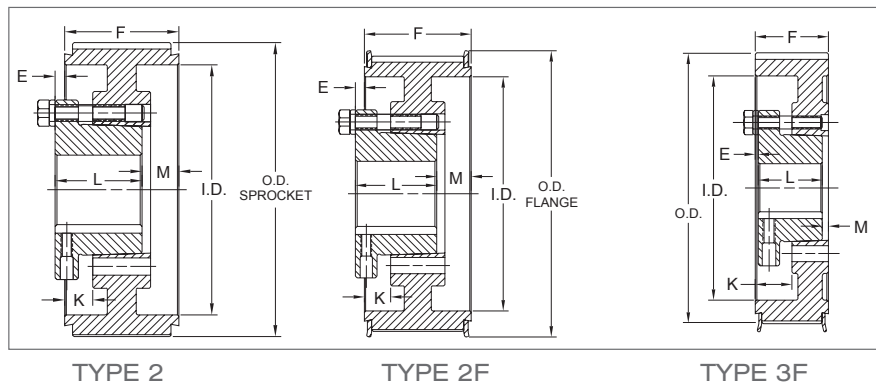
* These parts are made of steel.



HTD Sprocket
8 MM Pitch X 50 MM

For Belts 2" (50mm) wide - 8mm pitch (8M-50) - Face width (F) = 2-3/8"

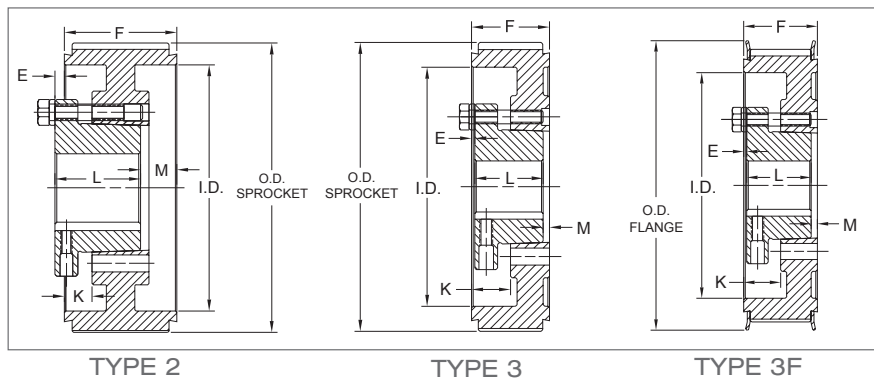
Part Number	List Price	Mult. Sym.	Bushing	Number of Teeth	Diameters			Type	Dimensions (inches)				Bore Range		Approx. Wt. (lbs)	
					Pitch Diam.	O.D.			I.D.	E	K	L	M	Min.		Max.
						Sprocket	Flange									
P28-8M-50-JA	80.00	HTD41	JA	28	2.807	2.759	3.11	2.09	3B F	31/64	1	1	57/64	1/2	1-1/4	1.60
P30-8M-50-JA	82.00	HTD41	JA	30	3.008	2.958	3.25	2.18	3B F	31/64	1	1	57/64	1/2	1-1/4	1.95
P32-8M-50-L	83.00	HTD41	L	32	3.208	3.156	3.43	2.56	3B F	11/32	7/8	1-11/32	11/16	1/2	1-1/2	2.05
P34-8M-50-SH	84.00	HTD41	SH	34	3.409	3.355	3.58	2.75	2B F	1/8	1/2	1-1/4	1-1/4	1/2	1-11/16	2.00
P36-8M-50-SH	85.00	HTD41	SH	36	3.609	3.555	4.02	2.82	2B F	1/8	1/2	1-1/4	1-1/4	1/2	1-11/16	2.65
P38-8M-50-SH	86.00	HTD41	SH	38	3.810	3.756	4.17	3.00	2B F	1/8	1/2	1-1/4	1-1/4	1/2	1-11/16	2.85
P40-8M-50-SH	88.00	HTD41	SH	40	4.010	3.956	4.41	3.00	2B F	1/8	1/2	1-1/4	1-1/4	1/2	1-11/16	3.60
P44-8M-50-SD	94.00	HTD41	SD	44	4.411	4.357	4.73	3.50	2B F	1/8	9/16	1-13/16	11/16	1/2	2	4.55
P48-8M-50-SD	98.00	HTD41	SD	48	4.812	4.758	5.04	3.80	2B F	1/8	9/16	1-13/16	11/16	1/2	2	5.80
P56-8M-50-SK	115.00	HTD41	SK	56	5.614	5.560	5.91	4.60	2B F	1/4	9/16	1-7/8	3/4	1/2	2-5/8	7.30
P64-8M-50-SK	130.00	HTD41	SK	64	6.416	6.362	6.61	5.40	2W F	13/64	39/64	1-7/8	51/64	1/2	2-5/8	8.60
P72-8M-50-SK	144.00	HTD41	SK	72	7.218	7.164	7.56	6.20	2W F	13/64	39/64	1-7/8	51/64	1/2	2-5/8	10.70
P80-8M-50-SF	155.00	HTD41	SF	80	8.020	7.966	8.35	6.90	2W F	13/64	39/64	2	43/64	1/2	2-15/16	14.15
P90-8M-50-SF	186.00	HTD41	SF	90	9.023	8.969	...	7.90	2W	1/4	9/16	2	5/8	1/2	2-15/16	16.70
P112-8M-50-SF	234.00	HTD41	SF	112	11.229	11.175	...	10.00	2A	1/4	9/16	2	5/8	1/2	2-15/16	21.65
P144-8M-50-E	373.00	HTD41	E	144	14.437	14.383	...	13.20	2A	11/16	3/8	2-5/8	7/16	7/8	3-1/2	31.75
P192-8M-50-E	432.00	HTD41	E	192	19.249	19.195	...	18.00	2A	11/16	3/8	2-5/8	7/16	7/8	3-1/2	50.80



HTD Sprocket 8 mm PITCH X 85 MM

For Belts 3-5/16" (85mm) wide - 8mm pitch (8M-85) - Face width (F) = 3-3/4"

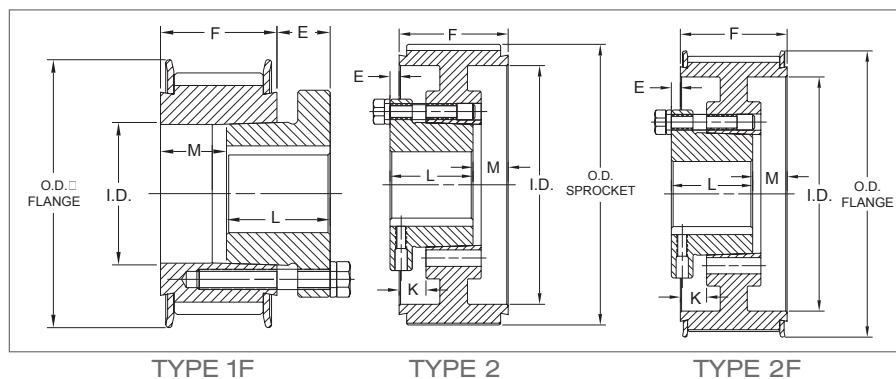
Part Number	List Price	Mult. Sym.	Bushing	Number of Teeth	Diameters				Type	Dimensions (inches)				Bore Range		Approx. Wt. (lbs)
					Pitch Diam.	O.D.		I.D.		E	K	L	M	Min.	Max.	
						Sprocket	Flange									
P34-8M-85-SH	95.00	HTD41	SH	34	3.409	3.355	3.58	2.75	3B F	7/8	1-1/2	1-1/4	1-5/8	1/2	1-11/16	2.85
P36-8M-85-SH	100.00	HTD41	SH	36	3.609	3.555	4.02	2.82	3B F	7/8	1-1/2	1-1/4	1-5/8	1/2	1-11/16	3.75
P38-8M-85-SH	102.00	HTD41	SH	38	3.810	3.756	4.17	3.00	3B F	7/8	1-1/2	1-1/4	1-5/8	1/2	1-11/16	4.05
P40-8M-85-SD	106.00	HTD41	SD	40	4.010	3.956	4.41	3.29	3B F	9/16	1-1/4	1-13/16	1-3/8	1/2	2	4.50
P44-8M-85-SD	110.00	HTD41	SD	44	4.411	4.357	4.73	3.50	3B F	9/16	1-1/4	1-13/16	1-3/8	1/2	2	6.15
P48-8M-85-SD	120.00	HTD41	SD	48	4.812	4.758	5.04	3.80	3B F	9/16	1-1/4	1-13/16	1-3/8	1/2	2	7.60
P56-8M-85-SK	140.00	HTD41	SK	56	5.614	5.560	5.91	4.60	3B F	7/16	1-1/4	1-7/8	1-7/16	1/2	2-5/8	9.65
P64-8M-85-SF	163.00	HTD41	SF	64	6.416	6.362	6.61	5.40	3B F	31/64	1-19/64	2	1-23/64	1/2	2-5/8	12.20
P72-8M-85-E	177.00	HTD41	E	72	7.218	7.164	7.56	6.20	3B F	3/64	1-7/64	2-5/8	1-11/64	7/8	3-1/2	16.10
P80-8M-85-E	194.00	HTD41	E	80	8.020	7.966	8.35	6.90	3B F	3/64	1-7/64	2-5/8	1-11/64	7/8	3-1/2	21.25
P90-8M-85-E	245.00	HTD41	E	90	9.023	8.969	...	7.90	3W	0	1-1/16	2-5/8	1-1/16	7/8	3-1/2	22.90
P112-8M-85-F	308.00	HTD41	F	112	11.229	11.175	...	10.00	2W	19/32	5/8	3-5/8	23/32	1	4	40.55
P144-8M-85-F	430.00	HTD41	F	144	14.437	14.383	...	13.20	2A	19/32	5/8	3-5/8	23/32	1	4	47.30
P192-8M-85-F	485.00	HTD41	F	192	19.249	19.195	...	18.00	2A	19/32	5/8	3-5/8	23/32	1	4	68.80



HTD Sprocket
14 mm Pitch X 40 MM

For Belts 1-1/2" (40mm) wide - 14mm pitch (14M-40) - Face width (F) = 2-1/8"

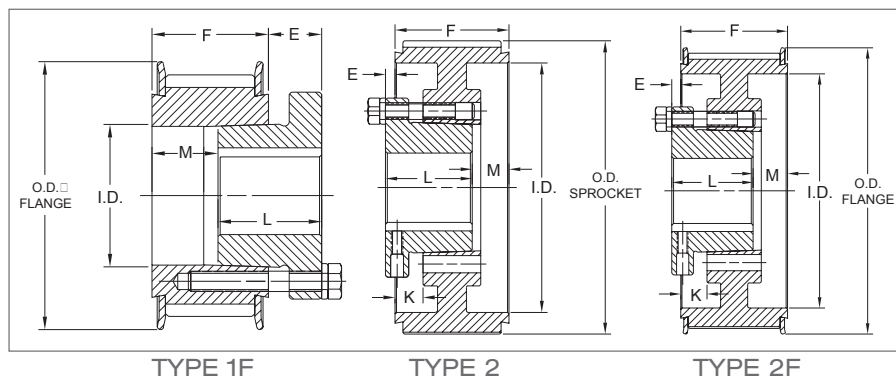
Part Number	List Price	Mult. Sym.	Bushing	Number of Teeth	Diameters			Type	Dimensions (inches)				Bore Range		Approx. Wt. (lbs)	
					Pitch Diam.	O.D.			I.D.	E	K	L	M	Min.		Max.
						Sprocket	Flange									
P28-14M-40-SK	85.00	HTD41	SK	28	4.912	4.802	5.04	3.13	1B F	13/16	0	1-7/8	1-1/16	1/2	2-5/8	5.30
P29-14M-40-SK	90.00	HTD41	SK	29	5.088	4.978	5.43	3.13	1B F	13/16	0	1-7/8	1-1/16	1/2	2-5/8	6.00
P30-14M-40-SK	93.00	HTD41	SK	30	5.263	5.153	5.43	4.12	2B F	3/8	7/16	1-7/8	5/8	1/2	2-5/8	5.85
P32-14M-40-SK	102.00	HTD41	SK	32	5.614	5.504	6.06	4.12	2B F	3/8	7/16	1-7/8	5/8	1/2	2-5/8	7.10
P34-14M-40-SK	105.00	HTD41	SK	34	5.965	5.855	6.30	4.12	2B F	3/8	7/16	1-7/8	5/8	1/2	2-5/8	8.55
P36-14M-40-SF	115.00	HTD41	SF	36	6.316	6.206	6.61	4.75	2B F	3/8	7/16	2	1/2	1/2	2-15/16	8.50
P38-14M-40-SF	130.00	HTD41	SF	38	6.667	6.557	7.21	4.94	2B F	3/8	7/16	2	1/2	1/2	2-15/16	10.20
P40-14M-40-SF	130.00	HTD41	SF	40	7.018	6.908	7.40	5.06	2B F	3/8	7/16	2	1/2	1/2	2-15/16	11.75
P44-14M-40-E	155.00	HTD41	E	44	7.720	7.610	8.31	6.12	2B F	13/16	1/4	2-5/8	5/16	7/8	3-1/2	14.80
P48-14M-40-E	165.00	HTD41	E	48	8.421	8.311	8.90	6.50	2B F	13/16	1/4	2-5/8	5/16	7/8	3-1/2	18.65
P52-14M-40-E	172.00	HTD41	E	52	9.123	9.013	9.37	7.18	2B F	13/16	1/4	2-5/8	5/16	7/8	3-1/2	22.70
P56-14M-40-E	175.00	HTD41	E	56	9.825	9.715	10.08	7.88	2B F	13/16	1/4	2-5/8	5/16	7/8	3-1/2	27.25
P60-14M-40-E	227.00	HTD41	E	60	10.527	10.417	10.79	8.50	2B F	13/16	1/4	2-5/8	5/16	7/8	3-1/2	32.10
P64-14M-40-E	260.00	HTD41	E	64	11.229	11.119	11.65	9.25	2W F	13/16	1/4	2-5/8	5/16	7/8	3-1/2	29.20
P68-14M-40-E	265.00	HTD41	E	68	11.930	11.820	12.21	10.00	2W F	13/16	1/4	2-5/8	5/16	7/8	3-1/2	31.55
P72-14M-40-E	272.00	HTD41	E	72	12.632	12.522	12.91	10.69	2W F	13/16	1/4	2-5/8	5/16	7/8	3-1/2	35.25
P80-14M-40-E	280.00	HTD41	E	80	14.036	13.926	14.29	12.13	2W F	13/16	1/4	2-5/8	5/16	7/8	3-1/2	14.40
P90-14M-40-E	288.00	HTD41	E	90	15.790	15.680	...	14.00	2A	13/16	1/4	2-5/8	5/16	7/8	3-1/2	40.70
P112-14M-40-E	365.00	HTD41	E	112	19.650	19.540	...	17.80	2A	13/16	1/4	2-5/8	5/16	7/8	3-1/2	56.40
P144-14M-40-E	480.00	HTD41	E	144	25.264	25.154	...	23.38	2A	13/16	1/4	2-5/8	5/16	7/8	3-1/2	78.60



HTD Sprocket 14 mm Pitch X 55 MM

For Belts 2-3/16" (55mm) wide - 14mm pitch (14M-55) - Face width (F) = 2-3/4"

Part Number	List Price	Mult. Sym.	Bushing	Number of Teeth	Diameters				Type	Dimensions (inches)				Bore Range		Approx. Wt. (lbs)
					Pitch Diam.	O.D.		I.D.		E	K	L	M	Min.	Max.	
						Sprocket	Flange									
P28-14M-55-SK	100.00	HTD41	SK	28	4.912	4.802	5.04	3.13	1B F	13/16	0	1-7/8	1-11/16	1/2	2-5/8	6.85
P29-14M-55-SK	105.00	HTD41	SK	29	5.088	4.978	5.43	3.13	1B F	13/16	0	1-7/8	1-11/16	1/2	2-5/8	7.55
P30-14M-55-SK	108.00	HTD41	SK	30	5.263	5.153	5.43	4.12	2B F	1/16	3/4	1-7/8	15/16	1/2	2-5/8	6.15
P32-14M-55-SK	114.00	HTD41	SK	32	5.614	5.504	6.06	4.12	2B F	1/16	3/4	1-7/8	15/16	1/2	2-5/8	8.65
P34-14M-55-SK	120.00	HTD41	SK	34	5.965	5.855	6.30	4.12	2B F	1/16	3/4	1-7/8	15/16	1/2	2-5/8	10.50
P36-14M-55-SF	125.00	HTD41	SF	36	6.316	6.206	6.61	4.75	2B F	1/16	3/4	2	13/16	1/2	2-15/16	10.10
P38-14M-55-SF	140.00	HTD41	SF	38	6.667	6.557	7.21	4.94	2B F	1/16	3/4	2	13/16	1/2	2-15/16	12.05
P40-14M-55-SF	143.00	HTD41	SF	40	7.018	6.908	7.40	5.06	2B F	1/16	3/4	2	13/16	1/2	2-15/16	14.30
P44-14M-55-E	165.00	HTD41	E	44	7.720	7.610	8.31	6.12	2B F	1/2	9/16	2-5/8	5/8	7/8	3-1/2	16.65
P48-14M-55-E	170.00	HTD41	E	48	8.421	8.311	8.90	6.50	2B F	1/2	9/16	2-5/8	5/8	7/8	3-1/2	21.65
P52-14M-55-E	178.00	HTD41	E	52	9.123	9.013	9.37	7.18	2B F	1/2	9/16	2-5/8	5/8	7/8	3-1/2	25.80
P56-14M-55-E	180.00	HTD41	E	56	9.825	9.715	10.08	7.88	2B F	1/2	9/16	2-5/8	5/8	7/8	3-1/2	31.00
P60-14M-55-E	240.00	HTD41	E	60	10.527	10.417	10.79	8.50	2B F	1/2	9/16	2-5/8	5/8	7/8	3-1/2	36.05
P64-14M-55-F	275.00	HTD41	F	64	11.229	11.119	11.65	9.25	2B F	1-3/32	1/8	3-5/8	7/32	1	4	10.25
P68-14M-55-F	285.00	HTD41	F	68	11.930	11.820	12.21	10.00	2W F	1-3/32	1/8	3-5/8	7/32	1	4	44.00
P72-14M-55-F	290.00	HTD41	F	72	12.632	12.522	12.91	10.69	2W F	1-3/32	1/8	3-5/8	7/32	1	4	46.70
P80-14M-55-F	338.00	HTD41	F	80	14.036	13.926	14.29	12.13	2W F	1-3/32	1/8	3-5/8	7/32	1	4	54.50
P90-14M-55-F	345.00	HTD41	F	90	15.790	15.680	...	14.00	2A	1-3/32	1/8	3-5/8	7/32	1	4	53.30
P112-14M-55-F	405.00	HTD41	F	112	19.650	19.540	...	17.80	2A	1-3/32	1/8	3-5/8	7/32	1	4	70.70
P144-14M-55-F	520.00	HTD41	F	144	25.264	25.154	...	23.38	2A	1-3/32	1/8	3-5/8	7/32	1	4	95.90
P168-14M-55-F	670.00	HTD41	F	168	29.475	29.365	...	28.25	2A	1-3/32	1/8	3-5/8	7/32	1	4	107.30
P192-14M-55-F	840.00	HTD41	F	192	33.686	33.576	...	32.38	2A	1-3/32	1/8	3-5/8	7/32	1	4	136.20
P216-14M-55-F	1356.00	HTD41	F	216	37.896	37.786	...	36.62	2A	1-3/32	1/8	3-5/8	7/32	1	4	166.20

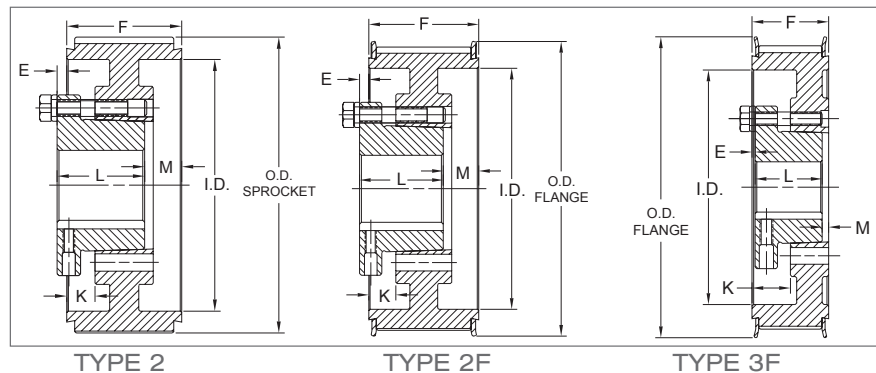


HTD Sprocket
14 mm Pitch X 85 MM

For Belts 3-5/16" (85mm) wide - 14mm pitch (14M-85) - Face width (F) = 4"

Part Number	List Price	Mult. Sym.	Bushing	Number of Teeth	Diameters			Type	Dimensions (inches)				Bore Range		Approx. Wt. (lbs)	
					Pitch Diam.	O.D.			E	K	L	M	Min.	Max.		
						Sprocket	Flange									I.D.
*P28-14M-85-SK	130.00	HTD41	SK	28	4.912	4.802	5.04	3.96	3B F	3/16	1	1-7/8	1-15/16	1/2	2-5/8	6.60
*P29-14M-85-SK	131.00	HTD41	SK	29	5.088	4.978	5.43	3.96	3B F	3/16	1	1-7/8	1-15/16	1/2	2-5/8	7.80
P30-14M-85-SK	132.00	HTD41	SK	30	5.263	5.153	5.43	4.12	3B F	9/16	1-3/8	1-7/8	1-9/16	1/2	2-5/8	7.95
P32-14M-85-SK	138.00	HTD41	SK	32	5.614	5.504	6.06	4.12	3B F	9/16	1-3/8	1-7/8	1-9/16	1/2	2-5/8	10.75
P34-14M-85-SK	150.00	HTD41	SK	34	5.965	5.855	6.30	4.12	3B F	9/16	1-3/8	1-7/8	1-9/16	1/2	2-5/8	14.00
P36-14M-85-SF	154.00	HTD41	SF	36	6.316	6.206	6.61	4.75	3B F	9/16	1-3/8	2	1-7/16	1/2	2-15/16	13.20
P38-14M-85-SF	160.00	HTD41	SF	38	6.667	6.557	7.21	4.94	3B F	9/16	1-3/8	2	1-7/16	1/2	2-15/16	15.60
P40-14M-85-SF	168.00	HTD41	SF	40	7.018	6.908	7.40	5.06	3B F	9/16	1-3/8	2	1-7/16	1/2	2-15/16	19.00
P44-14M-85-E	180.00	HTD41	E	44	7.720	7.610	8.31	6.12	3B F	1/8	1-3/16	2-5/8	1-1/4	7/8	3-1/2	21.10
P48-14M-85-E	188.00	HTD41	E	48	8.421	8.311	8.90	6.50	3B F	1/8	1-3/16	2-5/8	1-1/4	7/8	3-1/2	27.35
P52-14M-85-E	220.00	HTD41	E	52	9.123	9.013	9.37	7.18	3B F	1/8	1-3/16	2-5/8	1-1/4	7/8	3-1/2	32.80
P56-14M-85-F	245.00	HTD41	F	56	9.825	9.715	10.08	7.88	2B F	15/32	3/4	3-5/8	27/32	1	4	43.30
P60-14M-85-F	290.00	HTD41	F	60	10.527	10.417	10.79	8.50	2B F	15/32	3/4	3-5/8	27/32	1	4	50.70
P64-14M-85-F	300.00	HTD41	F	64	11.229	11.119	11.65	9.25	2B F	15/32	3/4	3-5/8	27/32	1	4	59.90
P68-14M-85-F	315.00	HTD41	F	68	11.930	11.820	12.21	10.00	2W F	15/32	3/4	3-5/8	27/32	1	4	51.20
P72-14M-85-F	320.00	HTD41	F	72	12.632	12.522	12.91	10.69	2W F	15/32	3/4	3-5/8	27/32	1	4	55.70
P80-14M-85-F	380.00	HTD41	F	80	14.036	13.926	14.29	12.13	2W F	15/32	3/4	3-5/8	27/32	1	4	64.40
P90-14M-85-F	390.00	HTD41	F	90	15.790	15.680	...	14.00	2A	15/32	3/4	3-5/8	27/32	1	4	69.50
P112-14M-85-F	460.00	HTD41	F	112	19.650	19.540	...	17.80	2A	15/32	3/4	3-5/8	27/32	1	4	93.70
P144-14M-85-F	590.00	HTD41	F	144	25.264	25.154	...	23.38	2A	15/32	3/4	3-5/8	27/32	1	4	130.50
P168-14M-85-F	780.00	HTD41	F	168	29.475	29.265	...	28.12	2A	3/4	11/16	3-5/8	1-3/32	1	4	144.00
P168-14M-85-J	780.00	HTD41	J	168	29.475	29.365	...	28.12	2A	1	13/32	4-1/2	1/2	1-7/16	4-1/2	153.20
P192-14M-85-J	940.00	HTD41	J	192	33.686	33.576	...	32.38	2A	1	13/32	4-1/2	1/2	1-7/16	4-1/2	190.20
P216-14M-85-J	1470.00	HTD41	J	216	37.896	37.786	...	36.38	2A	1	13/32	4-1/2	1/2	1-7/16	4-1/2	242.80

* These parts are made of steel.

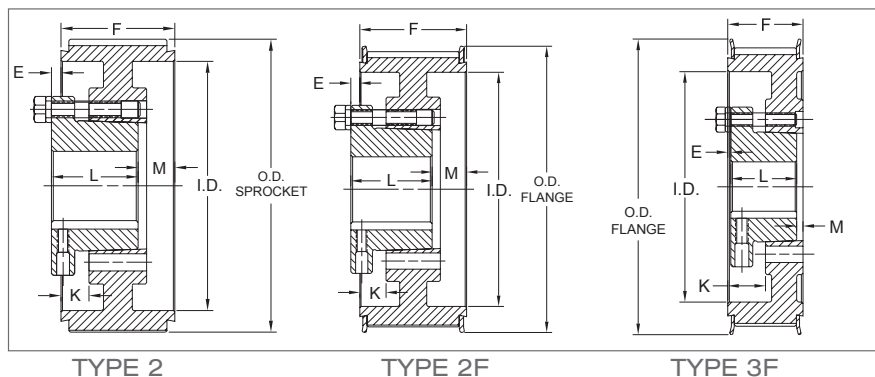


HTD Sprocket
14 mm Pitch X 115 MM

For Belts 4-1/2" (115mm) wide - 14mm pitch (14M-115) - Face width (F) = 5-1/4"

Part Number	List Price	Mult. Sym.	Bushing	Number of Teeth	Diameters			Type	Dimensions (inches)				Bore Range		Approx. Wt. (lbs)	
					Pitch Diam.	O.D.			I.D.	E	K	L	M	Min.		Max.
						Sprocket	Flange									
*P28-14M-115-SK	160.00	HTD41	SK	28	4.912	4.802	5.04	3.96	3B F	3/16	1	1-7/8	3-3/16	1/2	2-5/8	12.00
*P29-14M-115-SK	165.00	HTD41	SK	29	5.088	4.978	5.43	3.96	3B F	3/16	1	1-7/8	3-3/16	1/2	2-5/8	13.60
P30-14M-115-SK	169.00	HTD41	SK	30	5.263	5.153	5.43	4.12	3B F	1-3/16	2	1-7/8	2-3/16	1/2	2-5/8	9.35
P32-14M-115-SK	172.00	HTD41	SK	32	5.614	5.504	6.06	4.12	3B F	1-3/16	2	1-7/8	2-3/16	1/2	2-5/8	13.25
P34-14M-115-SK	183.00	HTD41	SK	34	5.965	5.855	6.30	4.12	3B F	1-3/16	2	1-7/8	2-3/16	1/2	2-5/8	17.30
P36-14M-115-SF	190.00	HTD41	SF	36	6.316	6.206	6.61	4.75	3B F	1-3/16	2	2	2-1/16	1/2	2-15/16	16.55
P38-14M-115-SF	200.00	HTD41	SF	38	6.667	6.557	7.21	4.94	3B F	1-3/16	2	2	2-1/16	1/2	2-15/16	19.70
P40-14M-115-SF	208.00	HTD41	SF	40	7.018	6.908	7.40	5.06	3B F	1-3/16	2	2	2-1/16	1/2	2-15/16	23.55
P44-14M-115-E	220.00	HTD41	E	44	7.720	7.610	8.31	6.12	3B F	3/4	1-13/16	2-5/8	1-7/8	7/8	3-1/2	24.95
P48-14M-115-E	236.00	HTD41	E	48	8.421	8.311	8.90	6.50	3B F	3/4	1-13/16	2-5/8	1-7/8	7/8	3-1/2	33.25
P52-14M-115-F	275.00	HTD41	F	52	9.123	9.013	9.37	7.18	3B F	5/32	1-3/8	3-5/8	1-15/32	1	4	42.10
P56-14M-115-F	285.00	HTD41	F	56	9.825	9.715	10.08	7.88	3B F	5/32	1-3/8	3-5/8	1-15/32	1	4	49.70
P60-14M-115-F	340.00	HTD41	F	60	10.527	10.417	10.79	8.50	3B F	5/32	1-3/8	3-5/8	1-15/32	1	4	58.50
P64-14M-115-J	365.00	HTD41	J	64	11.229	11.119	11.65	9.25	2B F	13/32	1	4-1/2	1-5/32	1-7/16	4-1/2	71.20
P68-14M-115-J	382.00	HTD41	J	68	11.930	11.820	12.21	10.00	2B F	13/32	1	4-1/2	1-5/32	1-7/16	4-1/2	82.10
P72-14M-115-J	390.00	HTD41	J	72	12.632	12.522	12.91	10.69	2B F	13/32	1	4-1/2	1-5/32	1-7/16	4-1/2	94.00
P80-14M-115-J	450.00	HTD41	J	80	14.036	13.926	14.29	12.13	2W F	13/32	1	4-1/2	1-5/32	1-7/16	4-1/2	79.80
P90-14M-115-J	500.00	HTD41	J	90	15.790	15.680	...	14.00	2W	13/32	1	4-1/2	1-5/32	1-7/16	4-1/2	93.60
P112-14M-115-J	620.00	HTD41	J	112	19.650	19.540	...	17.80	2A	13/32	1	4-1/2	1-5/32	1-7/16	4-1/2	117.20
P144-14M-115-J	780.00	HTD41	J	144	25.264	25.154	...	23.38	2A	13/32	1	4-1/2	1-5/32	1-7/16	4-1/2	161.70
P168-14M-115-J	970.00	HTD41	J	168	29.475	29.365	...	28.09	2A	9/64	1	4-1/2	7/8	1-1/2	4-1/2	198.00
P168-14M-115-M	970.00	HTD41	M	168	29.475	29.365	...	28.09	2A	1-19/32	1/16	6-3/4	3/32	2	5-1/2	203.40
P192-14M-115-M	1120.00	HTD41	M	192	33.686	33.576	...	32.25	2A	1-19/32	1/16	6-3/4	3/32	2	5-1/2	251.10
P216-14M-115-M	1690.00	HTD41	M	216	37.896	37.786	...	36.38	2A	1-19/32	1/16	6-3/4	3/32	2	5-1/2	306.70

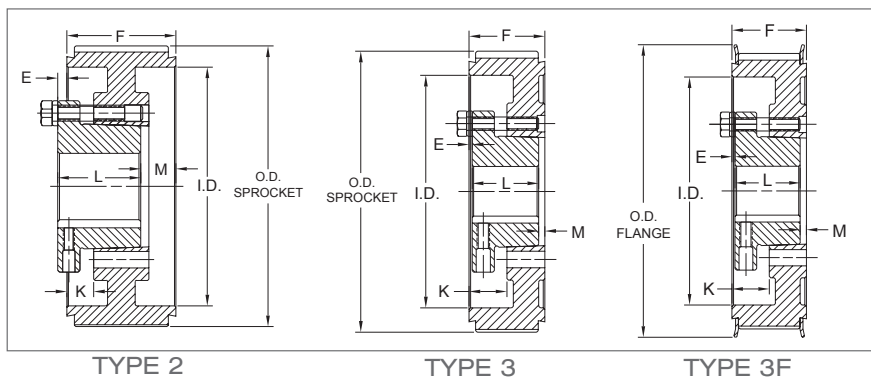
* These parts are made of steel.



HTD Sprocket
14 mm Pitch X 170 MM

For Belts 6-11/16" (170mm) wide - 14mm pitch (14M-170) - Face width (F) = 7-3/8"

Part Number	List Price	Mult. Sym.	Bushing	Number of Teeth	Diameters				Type	Dimensions (inches)				Bore Range		Approx. Wt. (lbs)
					Pitch Diam.	O.D.		I.D.		E	K	L	M	Min.	Max.	
						Sprocket	Flange									
P36-14M-170-SF	270.00	HTD41	SF	36	6.316	6.206	6.61	4.75	3B F	2-1/4	3-1/16	2	3-1/8	1/2	2-15/16	21.70
P38-14M-170-SF	280.00	HTD41	SF	38	6.667	6.557	7.21	4.94	3B F	2-1/4	3-1/16	2	3-1/8	1/2	2-15/16	25.90
P40-14M-170-SF	290.00	HTD41	SF	40	7.018	6.908	7.40	5.06	3B F	2-1/4	3-1/16	2	3-1/8	1/2	2-15/16	31.20
P44-14M-170-E	300.00	HTD41	E	44	7.720	7.610	8.31	6.12	3B F	1-13/16	2-7/8	2-5/8	2-15/16	7/8	3-1/2	31.65
P48-14M-170-E	302.00	HTD41	E	48	8.421	8.311	8.91	6.50	3B F	1-13/16	2-7/8	2-5/8	2-15/16	7/8	3-1/2	42.30
P52-14M-170-F	320.00	HTD41	F	52	9.123	9.013	9.37	7.18	3B F	1-7/32	2-7/16	3-5/8	2-17/32	1	4	52.40
P56-14M-170-F	330.00	HTD41	F	56	9.825	9.715	10.08	7.88	3B F	1-7/32	2-7/16	3-5/8	2-17/32	1	4	61.40
P60-14M-170-J	430.00	HTD41	J	60	10.527	10.417	10.79	8.50	3B F	23/32	2-1/8	4-1/2	2-5/32	1-7/16	4-1/2	74.30
P64-14M-170-J	460.00	HTD41	J	64	11.229	11.119	11.65	9.25	3B F	23/32	2-1/8	4-1/2	2-5/32	1-7/16	4-1/2	85.10
P68-14M-170-J	490.00	HTD41	J	68	11.930	11.820	12.21	10.00	3B F	23/32	2-1/8	4-1/2	2-5/32	1-7/16	4-1/2	96.50
P72-14M-170-J	520.00	HTD41	J	72	12.632	12.522	12.91	10.69	3B F	23/32	2-1/8	4-1/2	2-5/32	1-7/16	4-1/2	109.40
P80-14M-170-J	530.00	HTD41	J	80	14.036	13.926	14.29	12.13	3W F	23/32	2-1/8	4-1/2	2-5/32	1-7/16	4-1/2	102.00
P90-14M-170-J	610.00	HTD41	J	90	15.790	15.680	...	14.00	3W	23/32	2-1/8	4-1/2	2-5/32	1-7/16	4-1/2	114.70
P112-14M-170-M	850.00	HTD41	M	112	19.650	19.540	...	17.80	2A	7/32	1-7/16	6-3/4	27/32	2	5-1/2	170.60
P144-14M-170-M	1050.00	HTD41	M	144	25.264	25.154	...	23.38	2A	7/32	1-7/16	6-3/4	27/32	2	5-1/2	230.80
P168-14M-170-M	1360.00	HTD41	M	168	29.475	29.365	...	28.09	2A	7/32	1-7/16	6-3/4	27/32	2	5-1/2	232.80
P192-14M-170-M	1460.00	HTD41	M	192	33.686	33.576	...	32.25	2A	7/32	1-7/16	6-3/4	27/32	2	5-1/2	285.00
P216-14M-170-M	2080.00	HTD41	M	216	37.896	37.786	...	36.38	2A	7/32	1-7/16	6-3/4	27/32	2	5-1/2	348.10

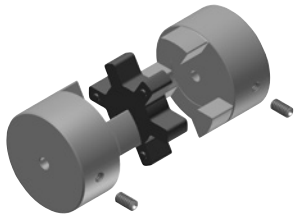


MASKA STARFLEX: Elastomeric Jaw Type Couplings

Features: All parts are completely machined in cast iron. Interchangeable by part number and size with corresponding components. Four types of insert materials for various applications in varying temperatures and environments.

How to order STOCK BORE COUPLING: Example: L099X5/8; L099 = MASKA STARFLEX Hub size. X5/8 = Bore size (5/8"). Metric bore sizes are designated with "MM" after the metric dimension (X 25MM).

ELEMENT MATERIAL Example: L099-100H = MASKA STARFLEX element size (insert) H = Material (Hytre). To order a complete coupling, (2) hubs with appropriate bore and (1) insert have to be ordered.



Dimensions

Hub No.	List Price		Mult. Sym.	Type	Outside Diameter A	Hub Diameter HD	Overall Length B	Distance between flanges C	Length thru bore D	** Bore		Assy Wt. Lbs. (Avg)	Approx. WR ² (lbs-in ²)
	Imperial (IN)	Metric (MM)								Min.	Max.		
L035 *	13.00	-	CPL32	1	5/8	-	13/16	9/32	17/64	1/8 (4mm)	3/8 (8mm)	0.10	0.003
L050 *	13.00	15.60	CPL32	1	1-1/16	-	1-23/32	15/32	5/8	3/16 (5mm)	5/8 (16mm)	0.25	0.054
L070	5.05	6.06	CPL32	1	1-3/8	-	2	1/2	3/4	3/16 (7mm)	3/4 (19mm)	0.50	0.115
L075	5.80	6.96	CPL32	1	1-3/4	-	2-1/8	1/2	13/16	3/16 (9mm)	7/8 (22mm)	0.90	0.388
L090	8.90	10.68	CPL32	1	2-1/8	-	2-9/64	33/64	13/16	3/16 (8mm)	1 (25mm)	1.35	0.772
L095	13.70	16.44	CPL32	1	2-1/8	-	2-33/64	33/64	1	7/16 (11mm)	1-1/8 (28mm)	1.55	0.890
L099	17.30	20.76	CPL32	1	2-17/32	-	2-27/32	23/32	1-1/16	7/16 (14mm)	1-3/16 (30mm)	2.25	2.048
L100	25.60	30.72	CPL32	1	2-17/32	-	3-15/32	23/32	1-3/8	7/16 (12mm)	1-3/8 (35mm)	2.80	2.783
L110	35.00	42.00	CPL32	1	3-5/16	-	4-1/4	7/8	1-11/16	5/8 (16mm)	1-5/8 (42mm)	5.95	8.993
L150	44.80	53.76	CPL32	1	3-3/4	-	4-1/2	1	1-3/4	5/8 (16mm)	1-7/8 (48mm)	7.90	11.477
L190	70.00	84.00	CPL32	2	4-1/2	4	5	1	2	3/4 (19mm)	2-1/8 (55mm)	13.80	39.256
L225	85.00	102.00	CPL32	2	5	4-1/4	5-3/8	1	2-3/16	3/4 (30mm)	2-5/8 (65mm)	17.30	65.000

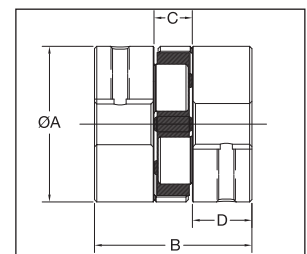
*Important: NOT SOLD INDIVIDUALLY. These parts are packaged 4 to a box, order per multiple of 4.

**See Baldor•Maska® Product Catalog for Stock bores.

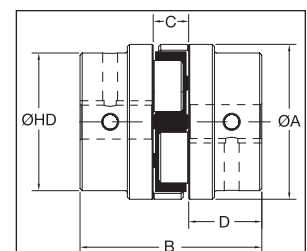
Insert Elements

NBR (Rubber)			Urethane		Hytre		Wt. lbs.	Bronze		
Part Number	Mult. Sym.	List Price	Part No.	List Price	Part No.	List Price		Part No.	List Price	Approx. Wt. (lbs.)
L035N* (4)	CPL32	8.40	-	-	-	-	.01	-	-	-
L050N* (4)	CPL32	8.40	L050U* (4)	34.00	L050H* (4)	28.40	.01	L050B* (4)	47.60	.06
L070N	CPL32	3.00	L070U	5.90	L070H	10.00	.02	L070B	14.50	.07
L075N	CPL32	5.10	L075U	7.30	L075H	15.00	.03	L075B	23.20	.10
L090-095N	CPL32	6.60	L090-095U	10.50	L090-095H	20.00	.04	L090-095B	25.60	.17
L090-095N	CPL32	6.60	L090-095U	10.50	L090-095H	20.00	.04	L090-095B	25.60	.17
L099-100N	CPL32	13.90	L099-100U	27.60	L099-100H	47.60	.07	L099-100B	37.80	.33
L099-100N	CPL32	13.90	L099-100U	27.60	L099-100H	47.60	.07	L099-100B	37.80	.33
L110N	CPL32	16.00	L110U	52.40	L110H	57.60	.14	L110B	45.40	.63
L150N	CPL32	23.00	L150U	63.40	L150H	69.20	.21	L150B	146.00	1.01
L190N	CPL32	28.00	L190U	68.40	L190H	81.60	.27	L190B	222.00	1.35
L225N	CPL32	33.50	L225U	86.60	L225H	95.80	.41	L225B	284.00	2.05

*Important: NOT SOLD INDIVIDUALLY. These parts are packaged 4 to a box, order per multiple of 4.



TYPE 1



TYPE 2

For more details and additional products, see complete Baldor•Maska® Product Catalog or www.baldor.com

4-FLEX: Elastomeric Sleeve Type Couplings



Features: Maska 4-Flex part # are based on industry recognized nomenclature. 4-way flexing action. All types & sizes in cast iron. Precise concentric product to avoid run-out and unbalance. No lubrication; smooth, quiet power transmission. Fast & easy installation; no special tools or accessories required.

How to order FLANGE: Example (fixed bored): 9SX1-9/16; 9 = 4FLEX Flange size. S = 4FLEX Flange TYPE. X1-9/16 = Bore size (1 9/16") **Example (bush type): 8B-SH;** 8 = 4FLEX Flange size. B = 4FLEX Flange TYPE. SH = QD BUSHING SIZE.

ELEMENT MATERIAL Example: 9JES = 9 =4FLEX element size. JES = Element material and construction (EPDM Split - "S" stands for Split)

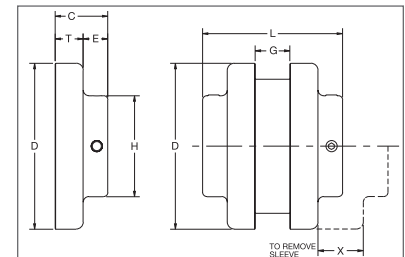
TYPE "J" COUPLING FLANGE

Dimensions

Part Number	List Price	Mult. Sym.	Dimensions (inches)								**Bore (in)		*Approx. Wt. (lbs.)
			C	D	E	G	H	L	T	X	Min	Max	
3J	7.50	CPL31	51/64	2.062	13/32	3/8	1-1/2	1-31/32	25/64	5/8	3/8	7/8	0.3
4J	9.50	CPL31	55/64	2.460	27/64	5/8	1-5/8	2-11/32	7/16	5/8	1/2	1	0.4
5J	15.00	CPL31	1-3/64	3.250	29/64	3/4	1-7/8	2-27/32	19/32	59/64	1/2	1-1/8	0.9
6J	21.00	CPL31	1-5/16	4.000	9/16	7/8	2-1/2	3-1/2	3/4	1-3/32	5/8	1-3/8	1.2

* Approximate weight for each flange.

**See Baldor•Maska® Product Catalog for Stock bores.



TYPE "S" COUPLING FLANGE

Dimensions

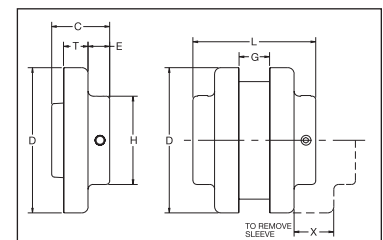
Part Number	List Price	Mult. Sym.	Type	Dimensions (inches)								**Bore (in)		*Approx. Wt. (lbs.)
				C	D	E	G	H	L	T	X	Min	Max	
5S	20.00	CPL31	-	1-11/32	3.250	29/64	23/32	1-7/8	2-13/16	19/32	31/32	1/2	1-1/4	1.1
	26.00	CPL31	1	1-5/8	4.000	17/32	7/8	2-1/2	3-1/2	25/32	1-3/32	5/8	1-1/2	1.9
6S	26.00	CPL31	2	1-5/16	4.000	17/32	7/8	2-1/2	3-1/2	25/32	1-3/32	1-5/8	1-3/4	1.8
	26.00	CPL31	3	1-9/16	4.000	25/32	7/8	2-13/16	4	25/32	1-3/32	1-7/8	1-7/8	1.8
7S	30.00	CPL31	-	1-27/32	4.625	11/16	1	2-13/16	3-15/16	25/32	1-5/16	5/8	1-7/8	2.6
8S	40.00	CPL31	1	2-3/32	5.450	3/4	1-1/8	3-1/4	4-7/16	29/32	1-1/2	3/4	2-1/8	4.4
	40.00	CPL31	2	1-15/16	5.450	1-1/32	1-1/8	3-1/4	5	29/32	1-1/2	2-3/8	2-3/8	3.7
9S	60.00	CPL31	1	2-13/32	6.350	25/32	1-7/16	3-7/8	5-1/16	1-1/32	1-3/4	7/8	2-1/2	6.8
	60.00	CPL31	2	2-9/32	6.350	1-1/4	1-7/16	4-1/8	6	1-1/32	1-3/4	2-7/8	2-7/8	6.2
10S	80.00	CPL31	1	2-23/32	7.500	13/16	1-5/8	4-3/8	5-11/16	1-7/32	2	1-1/8	2-7/8	10.5
	80.00	CPL31	2	2-11/16	7.500	1-15/32	1-5/8	4-3/4	7	1-7/32	2	3-3/8	3-3/8	9.8
11S	128.00	CPL31	1	3-7/16	8.625	1-1/8	1-7/8	5-1/4	7-1/8	1-1/2	2-3/8	1-1/4	3-7/8	16.6
12S	156.00	CPL31	-	4	10.000	1-9/32	2-5/16	5-3/4	8-1/4	1-11/16	2-11/16	1-1/2	3-7/8	26.6
13S	220.00	CPL31	-	4-3/8	11.750	1-5/16	2-11/16	6-3/4	9-1/4	1-31/32	3-1/16	2	3-15/16	45.2

* Approximate weight for each flange

** See Baldor•Maska® Product Catalog List Price for Stock bores

***Metric bores available see Baldor•Maska® Product Catalog

All finished bores come with 2 set screws.



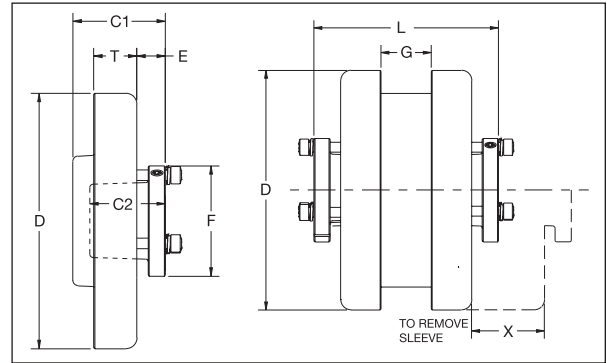
TYPE "B" COUPLING FLANGE

Dimensions

Part Number	List Price	Mult. Sym.	Bushing Size	Dimensions (inches)									~Max. Bore (inches)	*Wt. (lbs.)	
				C1	C2	D	E	F	G	L	T	X		Flange	Bush.
6B	38.00	CPL31	JA	1-17/64	1	4.000	33/64	2	7/8	3-13/32	3/4	1-3/32	1-1/4	1.4	0.4
7B	44.00	CPL31	JA	1-19/64	1	4.625	33/64	2	1	3-19/32	25/32	1-5/16	1-1/4	1.9	0.4
8B	50.00	CPL31	SH	1-31/32	1-1/4	5.450	5/8	2-11/16	1-1/8	4-3/16	29/32	1-1/2	1-5/8	2.9	0.9
9B	62.00	CPL31	SD	2-5/16	1-13/16	6.350	11/16	3-3/16	1-7/16	4-7/8	1-1/32	1-3/4	1-15/16	4.8	1.6
10B	84.00	CPL31	SK	2-1/32	1-7/8	7.500	13/16	3-7/8	1-5/8	5-11/16	1-7/32	2	2-1/2	7.8	2.7
11B	120.00	CPL31	SF	2-5/16	2	8.625	13/16	4-5/8	1-7/8	6-1/2	1-1/2	2-3/8	2-15/16	12.0	3.9
12B	146.00	CPL31	E	2-29/32	2-5/8	10.000	1-1/8	6	2-5/16	7-15/16	1-11/16	2-11/16	3-1/2	18.0	8.5
13B	208.00	CPL31	F	3-29/32	3-5/8	11.750	1-7/32	6-5/8	2-11/16	9-1/16	1-31/32	3	3-15/16	31.2	13.3

- Maximum bore with keyseat.

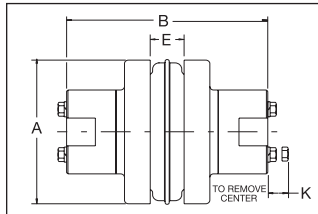
* Approximate weight for each flange.



4-FLEX: Type "SC" SPACER Couplings



Features: Satisfies standard spacing requirements for pump applications. Accommodates wide range of shaft spacing. Features AGMA 9 balanced flanges & drop-out center for easy equipment maintenance. Available with EPDM or Hytrel sleeves. Uses H & HS shaft hubs that are bored to size for slip fit or offered with plain bore for reboring. Shaft attachment with two setscrews; one over the keyway and one at 65° for better shaft grip. Shaft hub flats are used for holding both shafts stationary while loosening or tightening grade 8 bolts.



How to order FLANGE: Example: 9SC50; 9 = 4FLEX Flange size. SC = 4FLEX Flange TYPE. 50 = FLANGE # (Determined by the required distance between shafts)

HUB Example: 9SC-HX1-1/8 9: 4FLEX Flange size. SC: 4FLEX Flange TYPE. -HX1-1/8: BORE SIZE (1 1/8")

ELEMENT MATERIAL Example: 9JES = 9 = 4FLEX element size. JES = Element material and construction (EPDM Split - "S" stands for Split)

Part Number	Required Distance Between Shafts*	Use Flange Size	Use Hub No.	Max. Bore Std. Ks	Dimensions				Approx. Wt. (lbs.)
					A	B(1)	E	K	
5SC	3-1/2	5SC35	5SC-H	1-1/8	3.250	5-5/8	3/4	9/16	4.5
	3-1/2	6SC35	6SC-H	1-3/8	4.000	5-7/8	7/8	3/4	7.3
6SC	4-3/8	6SC44	6SC-H	1-3/8	4.000	6-3/4	7/8	3/4	8.1
	5	6SC50	6SC-H	1-3/8	4.000	7-3/8	7/8	3/4	8.7
7SC	3-1/2	7SC35	7SC-H	1-5/8	4.625	6-3/8	1	5/8	9.9
	4-3/8	7SC44	7SC-H	1-5/8	4.625	7-1/4	1	5/8	10.8
	5	7SC50	7SC-H	1-5/8	4.625	7-7/8	1	5/8	11.4
8SC	3-1/2	8SC35	8SC-H	1-7/8	5.450	6-7/8	1-1/8	13/16	15.2
	3-1/2	8SC35-10	10SC-H, 10SC-HS	2-3/8	5.450	8-1/8	1-1/8	13/16	23.2
	4-3/8	8SC44	8SC-H	1-7/8	5.450	7-3/4	1-1/8	13/16	16.4
	5	8SC50	8SC-H	1-7/8	5.450	8-3/8	1-1/8	1-3/16	17.4
	5	8SC50-10	10SC-H, 10SC-HS	2-3/8	5.450	9-5/8	1-1/8	1-3/16	27.2
9SC	3-1/2	9SC35	9SC-H, 9SC-HS	2-1/8	6.350	7-1/2	1-7/16	1-1/16	18.6
	4-3/8	9SC44	9SC-H, 9SC-HS	2-1/8	6.350	8-1/4	1-7/16	1-1/16	22.2
	5	9SC50	9SC-H, 9SC-HS	2-1/8	6.350	8-7/8	1-7/16	1-1/16	23.2
	5	9SC50-11	11SC-H, 11SC-HS	2-7/8	6.350	10-3/8	1-7/16	1-3/16	40.4
	7	9SC70-11	11SC-H, 11SC-HS	2-7/8	6.350	12-3/8	1-7/16	1-3/16	48.2
	7-3/4	9SC78-11	11SC-H, 11SC-HS	2-7/8	6.350	13-1/8	1-7/16	1-3/16	51.0
10SC	4-3/4	10SC48	10SC-H, 10SC-HS	2-3/8	7.500	9-3/8	1-5/8	1-3/16	37.6
	5	10SC50	10SC-H, 10SC-HS	2-3/8	7.500	9-5/8	1-5/8	1-3/16	38.4
	7	10SC70-13	13SC-H, 13SC-HS	3-3/8	7.500	13-5/8	1-5/8	1-7/8	72.0
	7-3/4	10SC78-13	13SC-H, 13SC-HS	3-3/8	7.500	14-3/8	1-5/8	1-7/8	76.0
	10	10SC100-13	13SC-H, 13SC-HS	3-3/8	7.500	16-5/8	1-5/8	1-7/8	88.0
11SC	4-3/4	11SC48	11SC-H, 11SC-HS	2-7/8	8.625	10-5/16	1-7/8	1-3/16	54.5
	5	11SC50	11SC-H, 11SC-HS	2-7/8	8.625	10-3/8	1-7/8	1-3/16	54.7
	7	11SC70-14	14SC-H	3-7/8	8.625	14-5/8	1-7/8	2	86.1
	7-3/4	11SC78-14	14SC-H	3-7/8	8.625	15-3/8	1-7/8	2	90.3
	10	11SC100-14	14SC-H	3-7/8	8.625	17-5/8	1-7/8	2	102.7
12SC	7	12SC70	12SC-H, 12SC-HS	2-7/8	10.000	12-7/8	2-5/16	1-1/2	88.1
	7	12SC70-14	14SC-H	3-7/8	10.000	14-5/8	2-5/16	2	99.1
	7-3/4	12SC78	12SC-H, 12SC-HS	2-7/8	10.000	13-5/8	2-5/16	1-1/2	91.9
	7-3/4	12SC78-14	14SC-H	3-7/8	10.000	15-3/8	2-5/16	2	103.3
	10	12SC100-14	14SC-H	3-7/8	10.000	17-5/8	2-5/16	2	115.7
13SC	7-3/4	13SC78	13SC-H, 13SC-HS	3-3/8	11.750	14-3/8	2-11/16	1-7/8	129.6
14SC	7-3/4	14SC78	14SC-H	3-7/8	13.875	15-3/8	3-1/4	2	179.9

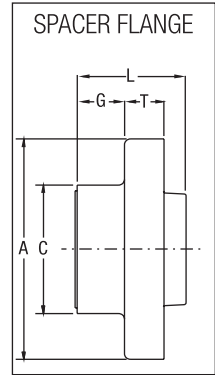
(1) "B" dimension and weight will change if one or two short (HS) hubs are used.

Note: Refer to following pages to order - specify components separately.

For more details and additional products, see complete Baldor•Maska® Product Catalog or www.baldor.com

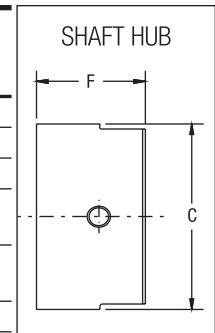
TYPE "SC" COUPLING FLANGE

Part Number	List Price	Mult. Sym.	DIMENSIONS					Approx. Wt. (lbs.)
			A	C	G	L	T	
5SC35	26.00	CPL31	3.250	2	51/64	1-11/16	19/32	1.20
6SC35	32.00	CPL31	4.000	2-1/2	19/32	1-5/8	23/32	2.09
6SC44	40.00	CPL31	4.000	2-1/2	1-1/32	2-1/16	23/32	2.48
6SC50	48.00	CPL31	4.000	2-1/2	1-11/32	2-3/8	23/32	2.76
7SC35	40.00	CPL31	4.625	2-13/16	15/32	1-5/8	25/32	2.52
7SC44	48.00	CPL31	4.625	2-13/16	29/32	2-1/16	25/32	2.99
7SC50	56.00	CPL31	4.625	2-13/16	1-7/32	2-3/8	25/32	3.33
8SC35	52.00	CPL31	5.450	3-1/4	9/32	1-5/8	29/32	3.67
8SC35-10	64.00	CPL31	5.450	4-3/8	9/32	1-5/8	29/32	3.46
8SC44	64.00	CPL31	5.450	3-1/4	23/32	2-1/16	29/32	4.30
8SC50	76.00	CPL31	5.450	3-1/4	1-1/32	2-3/8	29/32	4.75
8SC50-10	96.00	CPL31	5.450	4-3/8	1-1/32	2-3/8	29/32	5.52
9SC35	64.00	CPL31	6.350	3-5/8	1/16	1-11/16	1-1/32	4.14
9SC44	84.00	CPL31	6.350	3-5/8	7/16	2-1/16	1-1/32	5.89
9SC50	108.00	CPL31	6.350	3-5/8	3/4	2-3/8	1-1/32	6.43
9SC50-11	116.00	CPL31	6.350	5-1/4	3/4	2-3/8	1-1/32	6.95
9SC70-11	120.00	CPL31	6.350	5-1/4	1-3/4	2-3/8	1-1/32	10.80
9SC78-11	124.00	CPL31	6.350	5-1/4	2-1/8	3-3/4	1-1/32	12.37
10SC48	104.00	CPL31	7.500	4-3/8	11/32	2-1/4	1-7/32	9.81
10SC50	112.00	CPL31	7.500	4-3/8	15/32	2-3/8	1-7/32	10.15
10SC70-13	156.00	CPL31	7.500	6-1/8	1-15/32	3-3/8	1-7/32	14.50
10SC78-13	164.00	CPL31	7.500	6-1/8	1-27/32	3-3/4	1-7/32	16.45
10SC100-13	192.00	CPL31	7.500	6-1/8	2-31/32	4-7/8	1-7/32	22.50
11SC48	172.00	CPL31	8.625	5-1/4	1/32	1-1/2	1-1/2	12.53
11SC50	180.00	CPL31	8.625	5-1/4	1/16	1-9/16	1-1/2	12.63
11SC70-14	200.00	CPL31	8.625	6-1/2	1-1/16	2-9/16	1-1/2	16.30
11SC78-14	204.00	CPL31	8.625	6-1/2	1-7/16	2-15/16	1-1/2	18.36
11SC100-14	260.00	CPL31	8.625	6-1/2	2-9/16	4-1/16	1-1/2	24.70
12SC70	192.00	CPL31	10.000	5-3/4	21/32	2-15/32	1-11/16	23.40
12SC70-14	252.00	CPL31	10.000	6-1/2	21/32	2-15/32	1-11/16	21.30
12SC78	196.00	CPL31	10.000	5-3/4	1-1/32	2-27/32	1-11/16	25.39
12SC78-14	264.00	CPL31	10.000	6-1/2	1-1/32	2-27/32	1-11/16	23.40
12SC100-14	288.00	CPL31	10.000	6-1/2	2-5/32	3-31/32	1-11/16	29.70
13SC78	264.00	CPL31	11.750	6-1/8	9/16	3-1/4	1-31/32	38.37
14SC78	396.00	CPL31	13.875	6-1/2	1/32	2-23/32	2-1/4	55.24



TYPE "SC" COUPLING SPACER SHAFT HUB

Part Number	STOCK BORES		List Price	Mult. Sym.	F	C	Cap Screws Furnished	Approx. Wt. (lbs.)
	Plain Bore	Bore with Standard keyway & Set Screw						
5SC-H	1/2-PB	1/2 · 5/8 · 3/4 · 7/8 · 1 · 1-1/8	32.00	CPL31	1-3/32	2	4 X 10X1-1/2	0.80
6SC-H	5/8-PB	5/8 · 3/4 · 7/8 · 1 · 1-1/8 · 1-1/4 · 1-3/8	36.00	CPL31	1-7/32	2-1/2	4 X 1/4X1-3/4	1.40
7SC-H	5/8-PB	5/8 · 7/8 · 1 · 1-1/8 · 1-1/4 · 1-3/8 · 1-1/2 · 1-5/8	40.00	CPL31	1-15/32	2-13/16	4 X 1/4X1-7/8	2.00
8SC-H	3/4-PB	3/4 · 7/8 · 1 · 1-1/8 · 1-1/4 · 1-3/8 · 1-1/2 · 1-5/8 · 1-3/4 · 1-7/8	50.00	CPL31	1-23/32	3-1/4	4 X 5/16X2-1/4	3.20
9SC-H	7/8-PB	7/8 · 1 · 1-1/8 · 1-1/4 · 1-3/8 · 1-1/2 · 1-5/8 · 1-3/4 · 1-7/8 · 2-1/8	64.00	CPL31	1-31/32	3-5/8	4 X 3/8X2-3/4	4.20
9SC-HS		1-1/8	60.00	CPL31	1-17/32	3-5/8	4 X 3/8X2-1/4	3.70
10SC-H	1 1/8PB	1-1/8 · 1-5/8 · 1-7/8 · 2-1/8 · 2-3/8	116.00	CPL31	2-11/32	4-3/8	4 X 7/16X3-1/4	7.40
10SC-HS		1-1/8	108.00	CPL31	1-21/32	4-3/8	4 X 7/16X2-1/2	5.50
11SC-H	1 1/8PB	1-1/8 · 1-7/8 · 2-1/8 · 2-3/8 · 2-7/8	160.00	CPL31	2-23/32	5-1/4	4 X 1/2X3-1/2	12.20
11SC-HS		1-1/8 · 1-5/8	152.00	CPL31	1-29/32	5-1/4	4 X 1/2X2-3/4	9.30
12SC-H	1 3/8PB	2 · 2-1/8 · 2-3/8 · 2-7/8	208.00	CPL31	2-21/32	5-3/4	4 X 5/8X4	16.60
12SC-HS		2-3/8	196.00	CPL31	2-17/32	5-3/4	4 X 5/8X3-1/2	14.10
13SC-H		2-3/8 · 2-7/8 · 3-3/8	232.00	CPL31	3-11/32	6-1/8	4 X 5/8X4-1/2	19.90
13SC-HS		2-1/8 · 2-3/8	220.00	CPL31	2-15/32	6-1/8	4 X 5/8X3-1/2	16.00
14SC-H		2-3/8 · 2-7/8 · 3-3/8 · 3-7/8	280.00	CPL31	3-27/32	6-1/2	4 X 5/8X5	24.20



ELEMENT CHARACTERISTICS

Sleeve Types

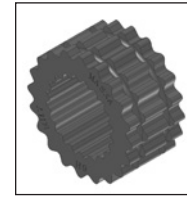
SHAPES AVAILABLE	EPDM	HYTREL
1 pc, unsplit	JE	H
1 pc, split	JES	-
2 pieces	E	HS
TYPICAL USE	General Purpose	General Purpose
REL. RATING	1X	4X
WIND-UP ANGULAR	15°	7°
MISALIGNMENT	1°	1/4°
TEMPERATURE		
maximum	+275° F.	+250° F.
minimum	-30° F.	-65° F.



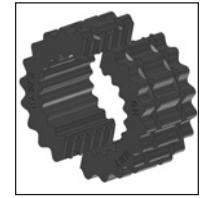
JE



JES



H



HS



E



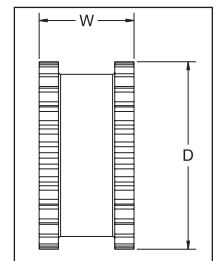
E

(exploded view)

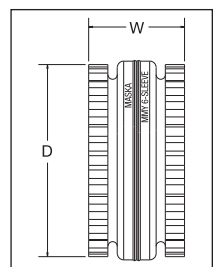
EPDM ELEMENT - TYPES "JE", "JES", "E"

Dimensions

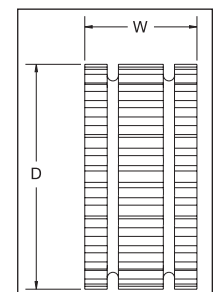
Part Number	List Price	Part No.	List Price	Part No.	List Price	Mult. Sym.	Coupling Size	D (inches)	W (inches)	Approx. Wt. (lbs)
3JE	4.20	3JES	5.60			CPL31	3	1-7/8	1	0.06
4JE	6.00	4JES	8.00			CPL31	4	2-5/16	1-1/4	0.10
5JE	12.00	5JES	14.00	5E	25.00	CPL31	5	2-15/16	1-9/16	0.20
6JE	20.00	6JES	22.00	6E	30.00	CPL31	6	3-3/4	1-7/8	0.40
7JE	26.00	7JES	28.00	7E	38.00	CPL31	7	4-11/32	2-3/16	0.62
8JE	34.00	8JES	38.00	8E	66.00	CPL31	8	5-1/16	2-1/2	1.13
9JE	40.00	9JES	44.00	9E	74.00	CPL31	9	6	3	1.46
10JE	56.00	10JES	60.00	10E	90.00	CPL31	10	7-1/16	3-7/16	2.32
		---		11E	164.00	CPL31	11	8-3/16	4	5.10
		---		12E	240.00	CPL31	12	9-9/16	4-11/16	8.10
		---		13E	420.00	CPL31	13	11-3/16	5-1/2	13.00



JE & JES



E



H & HS

HYTREL ELEMENT - TYPES "H", "HS"

Dimensions

Part Number	List Price	Mult. Sym.	Part No.	List Price	Mult. Sym.	Coupling Size	D (inches)	W (inches)	Approx. Wt. (lbs)
6H	80.00	CPL31	6HS	84.00	CPL31	6	3-3/4	1-7/8	0.44
7H	116.00	CPL31	7HS	120.00	CPL31	7	4-11/32	2-3/16	0.69
8H	126.00	CPL31	8HS	130.00	CPL31	8	5-1/16	2-1/2	1.40
9H	166.00	CPL31	9HS	172.00	CPL31	9	6	3	1.80
10H	224.00	CPL31	10HS	230.00	CPL31	10	7-1/16	3-7/16	2.90
11H	346.00	CPL31	11HS	354.00	CPL31	11	8-3/16	4	4.50
12H	496.00	CPL31	12HS	506.00	CPL31	12	9-9/16	4-11/16	7.30
-	-	CPL31	13HS	840.00	CPL31	13	11-3/16	5-1/2	11.80

MASKAFLEX : ELASTOMERIC TIRE TYPE



Features: Superior designed and manufactured “X-Tork” tire. Bonded and thermally stabilized rubber with double-woven textile cords & multiple cables in toe that allow the element to seat perfectly and contribute to element stability & flange grip. Ridged extremity & inner sidewalls designed for enhanced grip of the flanges.

How to order COMPLETE COUPLING: To order the complete coupling you need to order 2 flanges and the element separately.

FLANGE Example: MXF 120 = MASKAFLEX flange part number.

Element Material Example: P120 = MASKAFLEX element part number (tire)

A complete Maskaflex coupling corresponds to (2) flanges and (1) element. Specify the bore size required to order the appropriate QD bushing with it.

Dimensions

Complete Coupling Part Number	List price w/o Bushing Complete Coupling	Mult. Sym.	Bush. Size	~ Max. Bore	Type	Dimensions (inches)							Weight (lbs)		
						A	B	C	D	E	F	G	Complete	Flange	Tire
MX 50**	114.00	CPL14	JA	1-1/4	1	5-1/4	3-7/8	3-23/32	3-17/32	7/8	*	1-17/32	4.7	2.1	.5
MX 60	151.00	CPL14	SH	1-5/8	1	6-1/2	4-23/32	4-1/2	4-9/32	1-9/32	*	1-25/32	8.0	3.5	1.0
MX 70	201.00	CPL14	SDS	1-15/16	1	7-3/8	4-17/32	4-5/16	4-1/8	1-1/2	*	1-1/2	10.7	4.7	1.3
MX 80	265.00	CPL14	SK	2-1/2	1	8-3/8	5-13/16	5-17/32	5-1/4	1-1/2	*	1-1/2	15.5	6.9	1.7
MX 90	335.00	CPL14	SK	2-1/2	1	9-1/4	5-7/8	5-9/16	5-5/16	1-17/32	*	1-9/16	22.0	10.0	2.0
MX 100	411.00	CPL14	SF	2-3/4	1	10	6-1/8	5-25/32	5-15/32	1-23/32	*	1-15/32	32.0	15.0	2.0
MX 110	457.00	CPL14	SF	2-3/4	1	11	5-7/8	5-1/2	5-3/16	1-9/16	*	1-3/16	46.0	21.5	3.0
MX 120	529.00	CPL14	E	3-7/16	1	12-3/8	7-1/4	6-7/8	6-1/2	1-3/4	*	1-1/4	59.8	28.0	3.8
MX 140	918.00	CPL14	F	3-15/16	2	14-1/8	9-1/2	9-1/16	8-5/8	2-1/16	*	1-3/8	132.5	64.0	4.5
MX 160	1352.00	CPL14	J	4	2	16-5/8	11-1/2	10-7/8	10-3/8	2-11/16	*	1-3/8	208.7	100.0	8.7
MX 200	2043.00	CPL14	J	4	2	20	11-3/4	11-5/16	10-13/16	3-5/16	*	1-13/16	366.0	174.0	18.0

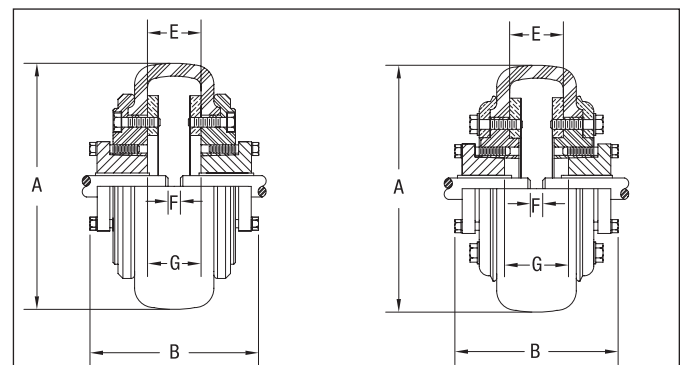
~ Maximum bore with keyseat

* Shaft ends although normally “G” distance apart can project beyond the bushings and be closer together. If this occurs, allow space between shaft ends for endfloat and misalignment.

** The MX50 coupling can only be outside-outside mount.

Parts

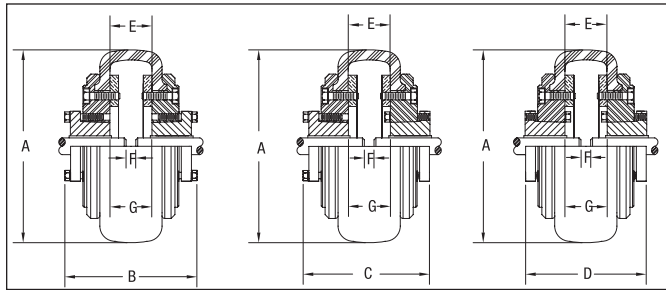
Flange			Tire		
Flange Part Number	List Price	Mult. Sym.	Tire Part No.	List Price	Mult. Sym.
MXF 50	37.00	CPL14	P50	40.00	CPL15
MXF 60	52.00	CPL14	P60	47.00	CPL15
MXF 70	68.00	CPL14	P70	65.00	CPL15
MXF 80	89.00	CPL14	P80	87.00	CPL15
MXF 90	121.00	CPL14	P90	93.00	CPL15
MXF 100	155.00	CPL14	P100	101.00	CPL15
MXF 110	171.00	CPL14	P110	115.00	CPL15
MXF 120	200.00	CPL14	P120	129.00	CPL15
MXF 140	354.00	CPL14	P140	210.00	CPL15
MXF 160	550.00	CPL14	P160	252.00	CPL15
MXF 200	790.00	CPL14	P200	463.00	CPL15



MX 50 TO MX 120

MX 140 TO MX 200

TYPE 1

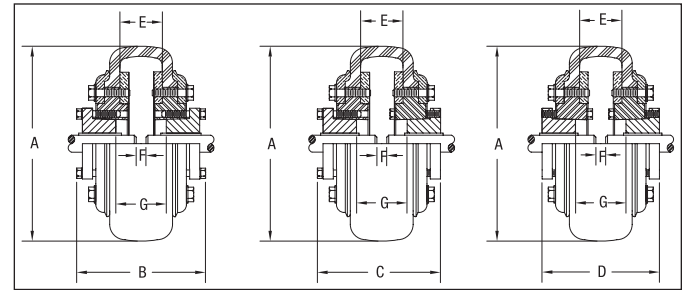


OUTSIDE-
OUTSIDE
MOUNT

OUTSIDE-
INSIDE
MOUNT

INSIDE-
INSIDE
MOUNT

TYPE 2



OUTSIDE-
OUTSIDE
MOUNT

OUTSIDE-
INSIDE
MOUNT

INSIDE-
INSIDE
MOUNT

COUPLING RATINGS & MISALIGNMENT

Coupling Part Number	Bush Size	Max. Bore	Max RPM	HP per 100 RPM Service factors					Torque* @ 1.0 S.F. (LB in)	Average static torsional stiffness coefficient (H)		Approx. Wt ² (LB-FT ²)	Max. parallel misalignment	Max. axial misalignment
				1.0	1.5	2.0	2.5	3.0		LB-IN/DEG.	LB-IN/RAD.			
MX 50	JA	1-1/4	4500	1.43	.95	.72	.57	.48	900	224	12,850	.08	3/64	1/16
MX 60	SH	1-5/8	4000	2.86	1.91	1.43	1.14	.95	1,800	414	23,700	.24	1/16	5/64
MX 70	SDS	1-15/16	3600	3.49	2.33	1.75	1.40	1.16	2,200	544	31,200	.45	5/64	3/32
MX 80	SK	2-1/2	3100	5.71	3.81	2.86	2.28	1.90	3,600	876	50,200	.88	5/64	7/64
MX 90	SK	2-1/2	2800	6.90	4.60	3.45	2.76	2.30	4,350	1,088	62,400	1.60	3/32	1/8
MX 100	SF	2-3/4	2600	8.33	5.55	4.17	3.33	2.78	5,250	1,530	87,700	2.90	7/64	1/8
MX 110	SF	2-3/4	2300	12.30	8.20	6.15	4.92	4.10	7,750	2,420	138,700	4.30	7/64	9/64
MX 120	E	3-7/16	2100	19.90	13.27	9.95	7.96	6.63	12,540	4,014	217,000	6.70	1/8	5/32
MX 140	F	3-15/16	1840	43.78	29.19	21.89	17.51	14.59	27,590	8,296	476,000	19.50	9/64	3/16
MX 160	J	4	1560	59.98	39.99	29.99	23.99	19.99	37,800	12,000	688,000	34.60	11/64	13/64
MX 200	J	4	1300	130.90	87.27	65.45	52.36	43.63	82,500	29,000	1,662,000	103.00	13/64	17/64

* To obtain the maximal torque, multiply by 2.5 the nominal torque. (X-Tork tire)
For more details see Baldor•Maska® Product Catalog

CROSS REFERENCES

MASKA-FLEX Maska	HI-FLEX Maurey	MARTIN-FLEX Martin
MX 50	50JA	F5 JA
MX 60	60SH	F6 JA
MX 70	70SH	F7 SH
MX 80	80SDS	F8 SDS
MX 90	90SK	F9 SK
MX 100	100SF	F10 SF
MX 110	110SF	F11 SF
MX 120	120E	F12 E
MX 140	140E	N/A
MX 160	N/A	N/A
MX 200	N/A	N/A



Industrial Grinders



600E

Cast aluminum wheel guards can be exhausted or left closed. 8-foot power cord. Base mounted on/off switch. Rubber feet minimize vibration.

Hp	RPM	Wheel Size	Catalog Number	List Price	Mult. Sym.	Shpg. Wgt.	Voltage	Style	Agency Approval	Notes
1/3	3600	6"x3/4"x1/2"	600E	326	G1	30	115	Grinder	UL	a,c,p
1/3	3600	6"x3/4"x1/2"	602E	326	G1	30	115	Grinder/Buffer	UL	b,c,p

EXERCISE CAUTION AND WEAR SAFETY GLASSES

Cast aluminum non-exhaust type wheel guards. 8-foot power cord. Base mounted on/off switch. Rubber feet to minimize vibration.

Hp	RPM	Wheel Size	Catalog Number	List Price	Mult. Sym.	Shpg. Wgt.	Voltage	Style	Agency Approval	Notes
1/3	3600	6"x3/4"x1/2"	612	369	G1	30	115	Grinder	UL, CSA	a,c,f,p
1/3	3600	6"x3/4"x1/2"	662	369	G1	29	115	Grinder/Buffer	UL, CSA	b,c,f,p

EXERCISE CAUTION AND WEAR SAFETY GLASSES



623E

Cast iron exhaust type wheel guards. 8-foot power cord. Base mounted on/off switch. Rubber feet to minimize vibration.

Hp	RPM	Wheel Size	Catalog Number	List Price	Mult. Sym.	Shpg. Wgt.	Voltage	Style	Agency Approval	Notes
1/4	1800	6"x3/4"x1/2"	632E	528	G1	47	115	Grinder		a,d,p
1/3	3600	6"x3/4"x1/2"	612E	499	G1	44	115	Grinder	UL, CSA	a,c,p
1/3	3600	6"x3/4"x1/2"	623E	528	G1	47	115	Grinder	UL	a,d,p
1/3	3600	6"x3/4"x1/2"	623ED	686	G1	61	115	Grinder		a,d,e
1/3	3600	6"x3/4"x1/2"	662E	499	G1	43	115	Grinder/Buffer	UL, CSA	a,c,p
1/3	3600	6"x3/4"x1/2"	673E	528	G1	45	115	Grinder/Buffer	UL	a,d,p

EXERCISE CAUTION AND WEAR SAFETY GLASSES



7306

Cast iron exhaust type wheel guards. 8-foot power cord. Base mounted on/off switch. Rubber feet to minimize vibration.

Hp	RPM	Wheel Size	Catalog Number	List Price	Mult. Sym.	Shpg. Wgt.	Voltage	Style	Agency Approval	Notes
1/2	3600	7"x1"x5/8"	712	536	G1	45	115	Grinder	UL, CSA	a,c,f,p
1/2	3600	7"x1"x5/8"	762	536	G1	43	115	Grinder/Buffer	UL, CSA	b,c,f,p
1/2	3600	7"x1"x5/8"	712E	628	G1	68	115	Grinder	UL, CSA	a,c,p
1/2	3600	7"x1"x5/8"	762E	628	G1	68	115	Grinder/Buffer	UL, CSA	b,c,p
1/2	1800	7"x1"x5/8"	7306	680	G1	70	115/230	Grinder	UL	a,d,g,p
1/2	3600	7"x1"x5/8"	7307	680	G1	70	115/230	Grinder	UL, CSA	a,d,g,p
1/2	3600	7"x1"x5/8"	7351	680	G1	67	115/230	Grinder/Buffer	UL, CSA	b,d,g,p
1/2	1800	7"x1"x5/8"	7308	680	G1	71	208-230/460	Grinder	UL, CSA	a,d,h,p
1/2	3600	7"x1"x5/8"	7309	680	G1	72	208-230/460	Grinder	UL, CSA	a,d,h,p
1/2	1800	7"x1"x5/8"	7306D	856	G1	84	115/230	Grinder	UL	a,d,e,g
1/2	3600	7"x1"x5/8"	7307D	856	G1	84	115/230	Grinder	UL	a,d,e,g
1/2	3600	7"x1"x5/8"	7309D	856	G1	87	208-230/460	Grinder	UL, CSA	a,d,e,h
1/2	1800	7"x1"x5/8"	7312D	1,035	G1	90	115	Grinder	UL	a,d,e

EXERCISE CAUTION AND WEAR SAFETY GLASSES

NOTES:

- (a) Supplied with 36 & 60 grit wheels.
- (b) Supplied with 36 grit and 0.014 wire wheel.
- (c) Stamp steel tool rests.
- (d) Cast iron tool rests.
- (e) Deluxe model includes water pot, tool tray and lighted eyeshields.
- (f) Non-exhaust type wheel guards.
- (g) Factory connected for 115 volts, power cord supplied.
- (h) Factory connected for 208-230 volts, no power cord.
- (p) Supplied with eye shield.

Industrial Grinders



8100W



8100WD



1022W



1022WD

All models have cast iron tool rests and exhaust type wheel guards. 8-foot power cord. Base mounted on/off switch. Rubber feet to minimize vibration.

Hp	RPM	Wheel Size	Catalog Number	List Price	Mult. Sym.	Shpg. Wgt.	Voltage	Style	Agency Approval	Notes
3/4	1800	8"x1"x3/4"	8100W	1,029	G1	99	115/230	Grinder	UL	a,g,p
3/4	1800	8"x1"x3/4"	8100WD	1,175	G1	110	115/230	Grinder	UL	a,e,g
3/4	3600	8"x1"x3/4"	8107W	1,029	G1	99	115/230	Grinder	UL	a,g,p
3/4	3600	8"x1"x3/4"	8107WD	1,175	G1	111	115/230	Grinder	UL	a,e,g
3/4	3600	8"x1"x3/4"	8250W	1,029	G1	97	115/230	Grinder/Buffer	UL	b,g,p
3/4	1800	8"x1"x3/4"	8102W	997	G1	98	208-230/460	Grinder	UL, CSA	a,h,p
3/4	1800	8"x1"x3/4"	8102WD	1,157	G1	111	208-230/460	Grinder	UL, CSA	a,e,h
3/4	3600	8"x1"x3/4"	8123W	997	G1	99	208-230/460	Grinder	UL, CSA	a,h,p
3/4	3600	8"x1"x3/4"	8123WD	1,157	G1	112	208-230/460	Grinder	UL, CSA	a,e,h
3/4	3600	8"x1"x3/4"	8252W	997	G1	95	208-230/460	Grinder/Buffer		b,h,p
3/4	3600	8"x1"x3/4"	8125W	997	G1	99	575	Grinder	UL	a,i,p

EXERCISE CAUTION AND WEAR SAFETY GLASSES

All models have cast iron tool rests and exhaust type wheel guards. Base mounted on/off switch. Rubber feet to minimize vibration.

Hp	RPM	Wheel Size	Catalog Number	List Price	Mult. Sym.	Shpg. Wgt.	Voltage	Style	Agency Approval	Notes
1	1800	10"x1"x7/8"	1022W	1,314	G1	133	115/230	Grinder	UL	a,j,p
1	1800	10"x1"x7/8"	1022WD	1,504	G1	145	115/230	Grinder	UL	a,e,j
1-1/2	1800	10"x1"x7/8"	1021W	1,295	G1	134	208-230/460	Grinder	UL, CSA	a,h,p
1-1/2	1800	10"x1"x7/8"	1021WD	1,483	G1	146	208-230/460	Grinder	UL, CSA	a,e,h
1-1/2	1800	10"x1"x7/8"	105W	1,295	G1	133	575	Grinder	UL, CSA	a,i,p

EXERCISE CAUTION AND WEAR SAFETY GLASSES

NOTES:

- (a) Supplied with 36 & 60 grit wheels.
- (b) Supplied with 36 grit and 0.014 wire wheel.
- (e) Deluxe model includes water pot, tool tray and lighted eyeshields.
- (g) Factory connected for 115 volts, power cord supplied.
- (h) Factory connected for 208-230 volts, no power cord.
- (i) 575 volt, 50//60 Hz.
- (j) Factory connected for 115 volts, no power cord.
- (p) Supplied with eye shield.

Motor
Accessories

PT Components

Grinders

Baldor
Mod Express

ABB
Mod Express

ABB ATEX
Mod Express

Product
Index

Industrial Grinders 12 Inch



BALDOR
Catalog #1215W
with #GA20 Pedestal
(sold separately)

Cast iron tool rests & exhaust type wheel guards. Manual starter with overload protection. Also includes lighted eyeshield (bulb not included). All three-phase units are suitable for 50/60 Hz, 1500/1800 RPM operation. Wheels sold separately. See chart below.

Hp	RPM	Wheel Size	Catalog Number	List Price	Mult. Sym.	Shpg. Wgt.	Voltage	Style	Agency Approval	Notes
2	1800	12"X2"X1-1/4"	1215W	2,954	G1	253	208-230/460	Grinder	CSA	k
3	1800	12"X2"X1-1/4"	1216W	3,059	G1	248	208-230/460	Grinder	CSA	k
2	1800	12"X2"X1-1/4"	1217W	3,128	G1	253	115/230	Grinder		J
3	1800	12"X2"X1-1/4"	129W	3,059	G1	256	575	Grinder	CSA	i

EXERCISE CAUTION AND WEAR SAFETY GLASSES

Cast iron tool rests & exhaust type wheel guards. Magnetic starter with overload protection. Also includes lighted eyeshields (bulbs not included). Suitable for 50/60 Hz operation. Wheels sold separately. See chart below.

Hp	RPM	Wheel Size	Catalog Number	List Price	Mult. Sym.	Shpg. Wgt.	Voltage	Style	Agency Approval	Notes
5	1800	14"X3"X1-1/4"	1406W	3,790	G1	359	230	Grinder	CSA	m
5	1800	14"X3"X1-1/4"	1410W	3,790	G1	362	460	Grinder		m
5	1800	14"X3"X1-1/4"	1408W	3,790	G1	358	575	Grinder	CSA	m
7-1/2	1800	14"X3"X1-1/4"	1407W	4,134	G1	372	230	Grinder	CSA	m
7-1/2	1800	14"X3"X1-1/4"	1411W	4,134	G1	381	208-230/460	Grinder		m
7-1/2	1800	14"X3"X1-1/4"	1409W	4,134	G1	374	575	Grinder	CSA	m

EXERCISE CAUTION AND WEAR SAFETY GLASSES

14 Inch



BALDOR
Catalog #1407W
with #GA20 Pedestal
(sold separately)

Wheels for 12-Inch and 14-Inch Grinders

High quality aluminum oxide and silicon abrasive in a premium vitrified system

Catalog Number	List Price	Mult. Sym.	Diameter	Face	Bore	Grit	Shpg. Wgt.
B125	226	A8	12"	2"	1-1/4"	30	22
B126	228	A8	12"	2"	1-1/4"	46	22
B147	427	A8	14"	3"	1-1/4"	30	42
B148	427	A8	14"	3"	1-1/4"	46	41

NOTE: When installing new wheels, check wheels for possible damage. Do not use a damaged wheel. With new wheel installed, all safety guards in place and operator standing away from front of grinder, run grinder for one minute before apply work.

EXERCISE CAUTION AND WEAR SAFETY GLASSES

NOTES:

- (i) 575 volt, 50//60 Hz.
- (j) Factory connected for 115 volts, no power cord.
- (k) Factory connected for 230, manual starter, specify voltage when ordering.
- (m) Factory connected for 230, magnetic starter must be changed for other voltages.

Industrial Tool Grinders

Diamond Wheel Grinder



Catalog #522

Baldor Diamond Wheel Tool Grinders feature all cast iron construction. Precision built, they have locked double row bearings and a maximum runout of .002 for precise tool and die work. Accommodates cup wheels with 1-1/4" center hole. Large tool tables with protractor type tool support. Light and water pot with spout and faucet that can be moved to either side are standard equipment. Diamond wheels sold separately. See chart below.

Hp	RPM	Cup Wheel Size	Catalog Number	List Price	Mult. Sym.	Shpg. Wgt.	Voltage	Style	Agency Approval	Notes
1/2	3600	6"x1"x1-1/4"	522	1,653	G1	108	115	Tool Grinder	UL	g
1/2	3600	6"x1"x1-1/4"	532	1,653	G1	109	208-230/460	Tool Grinder	UL	h

NOTE: Rough service bulb is suggested.

EXERCISE CAUTION AND WEAR SAFETY GLASSES

Carbide Tool Grinder



Catalog #500

Baldor Carbide Tool Grinders feature all cast iron construction. Accommodates cup wheels with 1-1/4" center hole. Large tool tables with protractor type tool support. Light and water pot with spout and faucet that can be moved to either side are standard equipment. Wheels sold separately. See chart below.

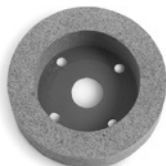
Hp	RPM	Wheel Size	Catalog Number	List Price	Mult. Sym.	Shpg. Wgt.	Voltage	Style	Agency Approval	Notes
1/2	3600	6"x1"x1-1/4"	500	1,568	G1	109	115	Tool Grinder	UL	g
1/2	3600	6"x1"x1-1/4"	510	1,568	G1	109	208-230/460	Tool Grinder	UL	h

NOTE: Rough service bulb is suggested

EXERCISE CAUTION AND WEAR SAFETY GLASSES



Catalog #D501



Catalog #C61

Wheels and Accessories

Catalog Number	List Price	Mult. Sym.	Shpg. Wgt.	Face	Grit	Description
D501	946	A8	5	3/4"	120	General Purpose Diamond Wheel
D502	946	A8	2	3/4"	220	Fine Finish Diamond Wheel
C61	147	A8	5	1"	60	Silicone Carbide
C121	149	A8	3	1"	120	Silicone Carbide
S46	149	A8	3	1"	46	Aluminum Oxide
S61	149	A8	3	1"	60	Aluminum Oxide
GA8	500	A8	1			Wheel Dresser with Diamond NIB
GA7	97	A8	1			Diamond NIB for GA8 (7/16 diameter x 1" long)

NOTE: When installing new wheels, check wheel for possible damage. Do not use a damaged wheel. With new wheel installed and all safety guards in place, and operator is standing away from front of grinder, run grinder for one minute before applying work.

EXERCISE CAUTION AND WEAR SAFETY GLASSES

NOTES:

- (g) Factory connected for 115 volts, power cord supplied.
- (h) Factory connected for 208-230 volts, no power cord.



GA8



GA7

Industrial Abrasive Belt Sanders

Baldor offers several options when it comes to industrial belt sanders, fixed and tiltable belts, grinder/sanders and even an adjustable speed sander for increased flexibility. All units come with a base mounted on/off switch. 602E-MT equipped with 2x36" 100 grit belt, all others 2x48" 80 grit belt.



Catalog #602E-MT

Catalog #248-151D

Catalog #248-181TD

Catalog #248-151TD

Catalog #248-151AS

Hp	RPM	Tilttable belt	Catalog Number	List Price	Mult. Sym.	Shpg. Wgt.	Voltage	Style	Agency Approval	Notes
1/3	3600	Multi-Position	602E-MT	825	G1	47	115	Grinder/Belt Sander		g,n,r
1-1/2	3600	Fixed	2048-151D	1,692	G1	88	115/230	Belt Sander	UL	g
1-1/2	3600	Fixed	2048-153D	1,612	G1	76	208-230/460	Belt Sander	UL	h
1-1/2	3600	Three positions	248-151TD	1,872	G1	95	115/230	Belt Sander	UL	g
1-1/2	3600	Three positions	248-153TD	1,766	G1	84	208-230/460	Belt Sander	UL	h
1-1/2	3600	Three positions	248-181TD	2,159	G1	138	115/230	Grinder/Belt Sander		J,l,r
1-1/2	3600	Three positions	248-183TD	2,118	G1	128	208-230/460	Grinder/Belt Sander	UL	h,l,r
1-1/2	0-3600	Three positions	248-151AS	2,375	G1	105	115	Adjustable Speed		g,l

EXERCISE CAUTION AND WEAR SAFETY GLASSES

Industrial Buffers

Buffers are designed for use with soft cloth wheels **ONLY**. Specific buffing applications may require the addition of operator safety devices. Consult with a safety engineer before installation. Price includes flanges and nuts but **does not** include wheels.



Catalog #333B



Catalog #1458 with #GA20 Pedestal (sold separately)

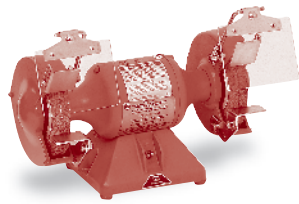
Hp	RPM	Max. Wheel Size	Shaft Diameter	Catalog Number	List Price	Mult. Sym.	Shpg. Wgt.	Voltage	Agency Approval	Notes
1/4	1800	6"	1/2"	114	374	G1	24	115		g,s
1/3	3600	6"	1/2"	111	374	G1	25	115		g,s
3/4	1800	8"	3/4"	332B	735	G1	55	115/230		g,s
3/4	3600	8"	3/4"	333B	735	G1	56	115/230		g,s
3/4	1800	8"	3/4"	334B	718	G1	54	208-230/460	CSA	h,s
3/4	3600	8"	3/4"	330B	718	G1	56	208-230/460	CSA	h,s
1	1800	10"	7/8"	407B	975	G1	60	115/230		j,s
1-1/2	3600	10"	7/8"	410B	959	G1	61	115/230		j,s
1-1/2	1800	10"	7/8"	409B	936	G1	59	208-230/460	CSA	h,s
1-1/2	3600	10"	7/8"	412B	936	G1	62	208-230/460	CSA	h,s
2	1800	12"	1-1/4"	1250	2,260	G1	164	115/230		k
2	3600	12"	1-1/4"	1251	2,195	G1	160	115/230		k
3	1800	12"	1-1/4"	1252	2,075	G1	156	208-230/460	CSA	k
3	3600	12"	1-1/4"	1253	2,016	G1	156	208-230/460	CSA	k
5	1200	14"	1-1/4"	1457	3,029	G1	228	230	CSA	m
5	1800	14"	1-1/4"	1458	2,579	G1	218	230	CSA	m
7-1/2	1800	14"	1-1/4"	1454	2,880	G1	229	230	CSA	m
7-1/2	3600	14"	1-1/4"	1453	2,725	G1	223	230	CSA	m

EXERCISE CAUTION AND WEAR SAFETY GLASSES

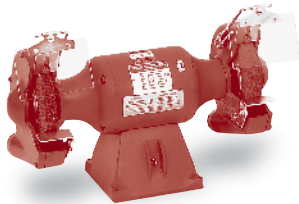
NOTES:

- (g) Factory connected for 115 volts, power cord supplied.
- (h) Factory connected for 208-230 volts, no power cord.
- (j) Factory connected for 115 volts, no power cord.
- (k) Factory connected for 230, manual starter, specify voltage when ordering.
- (l) Supplied with 8"x1"x3/4" 36 grit wheel and 80 grit belt.
- (m) Factory connected for 230, magnetic starter must be changed for other voltages.
- (n) Supplied with 0.014 wire wheel and 36" x 2" 100 grit belt.
- (r) Grinder side eye shield included.
- (s) Base mounted on-off switch.

Big Red Grinders



600RE



812RE

Big Red Grinders are available with 6", 7" or 8" wheels, equipped with base mounted on/off switch and 8 foot cord with plug. Rubber mounting feet help minimize vibration. Models ending in "E" have exhaust type wheel guards.

Hp	RPM	Wheel Size	Catalog Number	List Price	Mult. Sym.	Shpg. Wgt.	Voltage	Style	Agency Approval	Notes
1/3	3600	6"x3/4"x1/2"	600RE	326	G1	29	115	Grinder	UL	a,c,p
1/3	3600	6"x3/4"x1/2"	602RE	326	G1	29	115	Grinder/Buffer	UL	b,c,p
1/3	3600	6"x3/4"x1/2"	612R	369	G1	30	115	Grinder	UL, CSA	a,c,f,p
1/3	3600	6"x3/4"x1/2"	662R	369	G1	29	115	Grinder/Buffer	UL, CSA	b,c,f,p
1/2	3600	7"x1"x5/8"	712R	536	G1	45	115	Grinder	UL, CSA	a,c,f,p
1/2	3600	7"x1"x5/8"	762R	536	G1	43	115	Grinder/Buffer	UL, CSA	b,c,f,p
1/2	3600	7"x1"x5/8"	712RE	642	G1	68	115	Grinder	UL, CSA	a,c,p
1/2	3600	7"x1"x5/8"	762RE	642	G1	66	115	Grinder/Buffer	UL, CSA	b,c,p
3/4	3600	8"x1"3/4"	812RE	973	G1	96	115/230	Grinder	UL	a,c,g,p
3/4	3600	8"x1"3/4"	862RE	973	G1	95	115/230	Grinder/Buffer	UL	a,c,g,p

EXERCISE CAUTION AND WEAR SAFETY GLASSES

Big Red Accessories

Pedestals



GA16R

GA14R

Catalog Number	Description	List Price	Mult. Sym.	Shpg. Wgt.
GA16R	Cast iron pedestal can be used on all Big Red Grinders Height is 32-7/8"	510	A8	62
GA16RE	Light industrial version, all steel construction for use on 6" & 7" only, height is 34"	303	A8	36
GA20RE	Light industrial version, all steel construction for use on 8" only, height is 34"	351	A8	54
GA14R	Fabricated steel pedestal with storage shelves can be used on all Big Red Grinders, height is 34-1/2"	351	A8	64
GA9R	2) Lighted eyeshield, 5-1/2" x 3-3/4" viewing area, 8-ft cord with plug, mounts to any Big Red Grinder	196	A8	5
GA9SR	2) Lighted eyeshield with on/off switch, 5-1/2" x 3-3/4" viewing area, 8-ft cord with plug, mounts to any Big Red Grinder	218	A8	5

Lighted Eyeshields



GA9R

GA9SR

NOTES:

- (a) Supplied with 36 & 60 grit wheels.
- (b) Supplied with 36 grit and 0.014 wire wheel.
- (c) Stamp steel tool rests.
- (d) Cast iron tool rests.
- (f) Non-exhaust type wheel guards.
- (g) Factory connected for 115 volts, power cord supplied.
- (p) Supplied with eye shield.

Motor
Accessories

PT Components

Grinders

Baldor
Mod Express

ABB
Mod Express

ABB ATEX
Mod Express

Product
Index

Accessories

Dust Control Units for Baldor Grinders, 115V, Single Phase, 60 Hz



Catalog #1022W with DC10 and GA16 (sold separately)

NOTE: Do not collect potentially reactive materials without consulting (NFPA) National Fire Protection Association Standards.

Powered by a 1/2 Hp TEFC single phase Baldor motor with cord, switch, and plug.

230 volt single phase units are available and supplied less switch, cord, and plug. Specify for 230 volt single phase operation.

Collectors with three phase motor less cord, switch, and plug are available. For 208-230/460 volt three phase, add suffix -3 to catalog number. Add \$30.00 to list price.

Mount dust control units with Grinder and GA16 or GA20 pedestal.

Accessories

Grinder and Buffer



Catalog Number	Dust Control Unit Price	Mult. Sym.	Grinding Wheel Maximum		Cubic Ft/Min		Air Control Valves	Shpg. Wgt.
			Dia.	Width	Total Cap.	Required Per Wheel By OSHA (o)		
DC7	1,394	A8	7"	1"	440	220	Yes	60
DC8	1,394	A8	8"	1"	440	220	Yes	62
DC10	1,394	A8	10"	1"	440	390	Yes (p)	60
DC12	1,515	A8	12"	2"	440	390	Yes (p)	62
DC12-3	1,515	A8	12"	2"	440	390	Yes (p)	57
DC14-3 (n)	2,472	A8	14"	3"	700	590	Yes (p)	73

EXERCISE CAUTION AND WEAR SAFETY GLASSES

(n) DC14-3 powered with 1Hp TEFC 208-230/460 volt, three phase motor, less cord, switch, and lug.

(o) From ventilation section 1910.94 table G-4 Federal register vol. 37 #202, 10-18-72.

(p) Air control valve required to direct total CFM of collector to only the wheel being used to meet OSHA CFM requirements on 10" and larger grinders.

Replacement Filter Bags

Catalog Number	List Price	Mult. Sym.	Dust Control Unit	Shpg. Wgt.
ARB-1	102	A8	DC7, 8, 10, 12, 12-3	1
ARB-2	156	A8	DC14-3	2

Item Number	Catalog Number	Description	List Price	Mult. Sym.	Shpg. Wgt.
A	GA16	Pedestal "Cast Iron"	465	A8	62
	GA16E	"Steel"	303	A8	36
B	GA14	Pedestal "Steel"	351	A8	64
C	GA20	Pedestal "Cast Iron"	764	A8	119
	GA20E	"Steel"	351	A8	54
D	GA24	Water Pot	57	A8	1
E	GA3	Water Pot	109	A8	7
F	GA25	Tool Tray	56	A8	9
G	GA4	Tool Tray	126	A8	6
H	GA11	Eyeshield (pair)	77	A8	2
I	GA10	Eyeshield (pair)	72	A8	1
J	GA9	Lighted Eyeshield (less on/off switch) (pair)	196	A8	5
J-1	GA9-1	same as GA9 except packed 1 unit per carton	108	A8	3
K	GA9S	Lighted Eyeshield (with on/off switch) (pair)	218	A8	6
L	GA13	Eyeshield for 6" Grinders (pair)	50	A8	2
M	AB248	Abrasive Belt 2" x 48" - 80 Grit	30	A8	1

(A) **GA16 Pedestal** for 6", 7", 8" and 10" grinders, carbide and diamond wheel grinders, 1/4 Hp through 1-1/2 Hp buffers and belt grinders. Height 32 7/8".

GA16E for 6" & 7" grinders "all steel construction". Height 34".

(B) **GA14 Pedestal** - fabricated steel, for 6", 7", 8" and 10" grinders, 1/4 Hp through 1 1/2 Hp buffers. Height 34 1/2".

(C) **GA20 Pedestal** for 8", 10", 12" and 14" grinders and 3/4 through 7-1/2 Hp buffers. Height 30".

GA20RE for 8" & 10" grinders "all steel construction". Height 34".

(D) **GA24 Water Pot** for 623E, 673E, 612E, 662E, and 7" (except #712, #712R, #762, & #762R), 8" and 10" grinders. Supplied with mounting bracket and swivel arm. Capacity 1-1/2 pints.

(E) **GA3 Water Pot** for GA20 pedestal. Capacity 3 pints.

(F) **GA25 Tool Tray** for 623E, 632E, 673E, 612E, 662E and 7" (except #712, #712R, #762, & #762R), 8" and 10" grinders. Supplied with mounting bracket and swivel arm. Diameter 8". Area 48 square inches.

(G) **GA4 Tool Tray** for GA20 pedestal. Dimensions 12" x 6".

(H) **GA11 Eyeshield** - 6" x 4" shatter resistant Plexiglas®. Fits Baldor grinders 7" through 14".

(I) **GA10 Eyeshield** - 5" x 4" shatter resistant Plexiglas®. Fits Baldor 6" grinders and #712, #712R, #762 and #762R.

(J) **GA9 Lighted Eyeshield** - 5 1/2" x 3 3/4" viewing area made of shatter resistant Plexiglas®. Supplied with 8 foot 3 conductor cord with plug. Accommodates standard 115 volt 60 watt bulb. Supplied less bulb and on/off switch. Mounts to Baldor grinders except tool and belt grinders. Adjusts horizontally and vertically. U.L. listed/CSA certified.

(J-1) **GA9-1** - Same as GA9 except packed 1 per carton. 115 volt only.

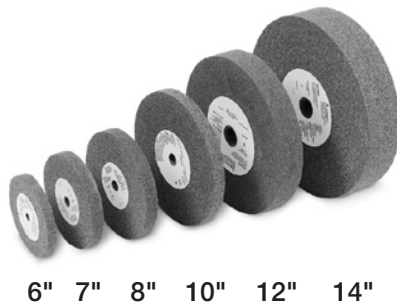
(K) **GA9S Lighted Eyeshield with On/Off Switch** - 115 volt only.

(L) **GA13 Eyeshield for 600 Series 6" Grinders**

(M) **AB248 Abrasive Belt** - 2" x 48" - 80 Grit.

Accessories

Wheels for Grinders

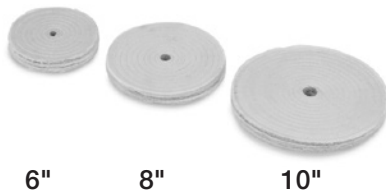


Features: Extremely durable aluminum oxide abrasive grain. Excellent for steels and alloy steels. Ideal for numerous general purpose applications.

Catalog Number	List Price	Mult. Sym.	Diameter	Face	Bore	Grit	Shpg. Wgt.
B66	41	A8	6"	3/4"	1/2"	36	2
B67	41	A8	6"	3/4"	1/2"	60	2
B73	57	A8	7"	1"	5/8"	36	4
B74	57	A8	7"	1"	5/8"	60	3
B80	67	A8	8"	1"	3/4"	36	5
B81	67	A8	8"	1"	3/4"	60	4
B102	100	A8	10"	1"	7/8"	36	8
B103	100	A8	10"	1"	7/8"	60	6
B125	226	A8	12"	2"	1-1/4"	30	22
B126	228	A8	12"	2"	1-1/4"	46	22
B147	427	A8	14"	3"	1-1/4"	30	42
B148	427	A8	14"	3"	1 1/4"	46	41

EXERCISE CAUTION AND WEAR SAFETY GLASSES

Sewed Cotton Buffing Wheels



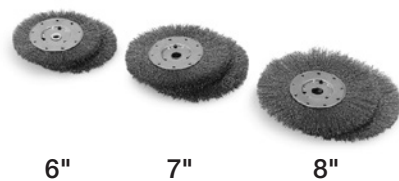
Features: Wheels are muslin cloth, spiral sewn. These bore sizes will fit shafts 1/8" greater diameter than bore.

Catalog Number	List Price	Mult. Sym.	Diameter	Face	Bore	Shpg. Wgt.
A65	25	A8	6"	1/4"	1/2"	1
A82	40	A8	8"	1/4"	3/4"	1
A103	48	A8	10"	1/4"	7/8"	1

EXERCISE CAUTION AND WEAR SAFETY GLASSES

NOTE: Cotton wheels are supplied in sections 1/4" wide. Two (or more) sections may be put together to make up wheel of desired width.

Wire Brush Wheels



Features: Wheels are crimped, carbon steel wire.

Catalog Number	List Price	Mult. Sym.	Diameter	Face	Bore	Diameter of Wire	Shpg. Wgt.
W64	50	A8	6"	5/8"	1/2"	0.014	1
W70	59	A8	7"	5/8"	5/8"	0.014	1
W82	72	A8	8"	3/4"	3/4"	0.014	1

EXERCISE CAUTION AND WEAR SAFETY GLASSES

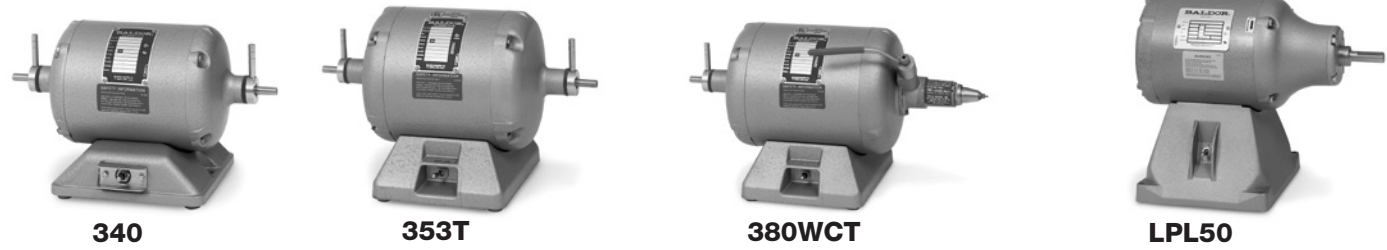
NOTE: Baldor 6", 7" & 8" grinders equipped with grinding wheels can be converted to have wire brush wheels. To properly fit the wire brush wheels, flat washers or spacer must be placed on both sides of the wheel flanges. This will accommodate the width differences between the wire brush wheel and the original grinding wheel. Order washers/spacers as follows:
6" (3) HW1000A50, 7" (2) HA2047A01, 8"(4) HW1000A75

NOTE: When installing new wheels, check wheel for possible damage. Do not use a damaged wheel.

With new wheel installed and all safety guards in place, and operator standing away from front of grinder, run grinder for one minute before applying work.

(Wear safety glasses). **Exercise Caution.**

Polishing Lathes, Chucks



Baldor polishing lathes have features preferred by dentists, dental lab technicians, jewelers, lapidary and other for precision, trouble-free polishing. All lathes are supplied with 8-foot cord with plug, rubber feet and heavy construction to minimize vibration, provisions for mounting to a laboratory bench are provided as well.

Hp	RPM	Shaft Diameter/Taper	Catalog Number	List Price	Mult. Sym.	Shpg. Wgt.	Voltage	Style	Notes
1/4	3600/1800	0.375 / 0.250	340	459	G1	31	115	Dual Speed	q
1/4	3000/1500	0.375 / 0.250	342	459	G1	31	220-240	Dual Speed	r
1/4	3600/1800	0.375 / 0.250	353T	503	G1	35	115	Dual Speed	q
1/2	3600	0.375 / 0.250	359T	504	G1	36	115	Single speed	q
1/3	3600/1800	0.375 / 0.250	380T	560	G1	42	115	Dual Speed	q
1/3	3600/1800	0.375 / 0.250	380WCT	1,290	G1	47	115	Dual Speed	q,s
1/2	3600	0.625 / straight	LPL50	490	G1	43	115	Single speed	q,t
3/4	3600	0.625 / straight	LPL75	598	G1	48	115/230	Single speed	q,t

EXERCISE CAUTION AND WEAR SAFETY GLASSES
NOTES:

- (q) Factory connected for 115 volts, power cord supplied.
- (r) Factory connected for 220-240 volts, power cord without plug.
- (s) Right side equipped with Wells Dental "Super Quick" chuck, 2 mandrels, 2 stone, 1 arbor band, 1 soft wheel chuck.
- (t) Single shaft, right side.

Baldor True-Running Chucks

Made to close-tolerance specifications, keeps vibration to an absolute minimum. All chuck guaranteed to match Baldor lathes and other make with standard tapered shaft. Mounting hole 0.370" tapered 0.250 per foot.



R1 R2 L3 L4 R5A R6 L7

Catalog Number	List Price	Mult. Sym.	Description	Shpg. Wgt.
R1	64	A8	Hard Wheel, Right Hand, Brass	1
R2	31	A8	Soft Wheel, Right Hand, Brass	1
L3	62	A8	Hard Wheel, Left Hand, Brass	1
L4	71	A8	Soft Wheel, Left Hand, Brass	1
R5A	103	A8	Burr Chuck, Right Hand,	1
R6	50	A8	Arbor Band, Right Hand, Brass	1
L7	143	A8	Burr Chuck, Left Hand, Stainless	1

EXERCISE CAUTION AND WEAR SAFETY GLASSES

NOTE: R1 & L3 hard wheel chucks accommodate up to 1/4" wide wheel with 1/4" arbor hole. R6 arbor band chuck accommodates 1/2" wide x 3/4" diameter arbor band.

Dust Collector Bags

Catalog Number	List Price	Mult. Sym.	Description	Shpg. Wgt.
DA1	55	A8	Dust Collector Bag (1 per carton). For Baldor D60 and D61 Dust Collectors	1

THREE YEAR WARRANTY

Baldor polishing lathes are warranted against burnouts, defective materials, and workmanship for three full years. Warranty covers all parts except those subject to normal wear. "Wells Quick Chuck" warranted one year by manufacturer.

Balance	435
M1A	Dynamic Balance of Rotors	
Bearings	435
M2A	Sealed Bearings	
M2B	Ball to Roller 1800 RPM or Below	
M2C	Add Thermocouples to Bearing Housing	
M2D	Bearing RTD'S	
M2E	Add Sealed Bearings	
M2F	Add Ceramic Bearings NEMA 254T through 5810	
M2G	Roller to Ball Bearing 1800 RPM or Below	
Brake Motors	437
M3A	Convert Standard to Weatherproof	
M3B	Convert to Vertical Mounting	
M3C	Add Larger or Smaller Brake	
M3D	Change Stearn's Brake	
M3E	Add a Double C-Face or Coupler Brake	
M3F	Remove Brake from a Brake Motor	
M3G	Change Dodge Brake	
Conduit Box	439
M4A	Tap or Provide Additional Lead Hole	
M4B	Rotate Conduit Box Lead Opening	
M4C	Add Oversized Cast Iron Conduit Box	
M4E	Add Conduit Box for Accessory Leads	
M4F	Replace Die Cast Aluminum Conduit Box	
Cord	440
M5A	Install Line Cord in Conduit Box or Terminal Panel	
M5B	Install 6 Foot, 3 Conductor, Type SO Cord	
Switch	441
M6A	Install Switch, Cord and Plug	
M6C	Change from Mechanical to Electronic Switch	
Drains	441
M7A	Add Condensation Drain Holes	
M7B	Install "T" Drain	
M7C	Close Standard Condensation Drain Holes	
M7D	Add Breather Drain to Cast Iron Explosion Proof Motors	
Dripcovers	442
M8A	Install Dripcover on TEFC or ODP	
Slurry Coat & Encapsulation	443
M9B	Encapsulation of Winding	
Leads	443
M10A	Install Terminal Lugs	
M10B	Reconnect from Nine Leads to Three Leads	
M10C	Reconnect Motor to High or Low Voltage	
M10D	Longer Leads	
Lubrication	445
M11A	Install Low Temperature Bearing Lubricant	
M11B	Add High Temperature Grease	
Seals	445
M12A	Install Oil Seals	
M12B	Install Inpro/Seal®	
Mountings	446
M13A	Add Rigid Base	
M13B	Install NEMA C-Face - Steel Band Construction	
M13C-1	Install NEMA C-Face - Cast Iron Construction	
M13C-2	Install NEMA C-Face - IEEE 841 Motors	

Motor
Accessories

PT Components

Grinders

Baldor
Mod Express

ABB
Mod Express

ABB ATEX
Mod Express

Product
Index

Mountings (continued)

M13D	Add D-Flange	
M13E	Remove Rigid Base From Foot Mounted Steel Band Motors	
M13F-1	Convert Mounting Configuration for Steel Band Motor	
M13F-2	Convert Mounting Configuration for Cast Iron Motor	
M13G	Install NEMA C Face to Explosion Proof Motors	
M13H	Mount Dust Control Unit on Grinders	
M13I	Labor only to mount grinder or buffer onto a pedestal and package for shipment	
M13J	NEW! Add Adjustable Bases	
M13K	NEW! Add Two Piece Transition Base	
M13L	NEW! Add Steel Fan Cover	
M13M	NEW! Add Low Noise Fan and/or Fan Cover	
M13N	NEW! Add Cast Iron Fan Cover	

Mounting Diagrams	451
--------------------------	-------	-----

Export	452
---------------	-------	-----

M14A	NEW! Open Crate Packaging	
M14B	NEW! Totally Enclosed Crate Packaging	
M14C	NEW! Motor and Nameplate Photograph	

Nameplate	453
------------------	-------	-----

M15A	Provide Original Nameplate for Remote Mounting	
M15B	Replace Nameplate	
M15C	Laser Engrave Nameplate into Stainless Steel Motor	
M15E	Mail Nameplates to Customer	
M15F	Mark Nameplate with CE	

Blowers	453
----------------	-------	-----

M16A	Add Constant Velocity Blower Unit	
M16B	Convert from a Three Phase to a Single Phase Blower	

Paint	454
--------------	-------	-----

M17A	Paint Motor to Baldor Stock Paint Color	
M17B	Paint Parts to Baldor Stock Paint Color	

Lifting Lugs	454
---------------------	-------	-----

M18A	Add Lifting Lugs up to a 326T Frame Size	
------	--	--

Screens	454
----------------	-------	-----

M19A	Add Rodent Screens to Open Drip-Proof Motors	
------	--	--

Hardware	455
-----------------	-------	-----

M20A	Exchange Plated Hardware for Stainless Steel	
------	--	--

Space Heaters	455
----------------------	-------	-----

M21A	Add Space Heaters to TEFC or Open Motors	
M21B	Add Conduit Box for Accessory Leads	

Textile Service	455
------------------------	-------	-----

M22A	Lint Proof Fan Cover	
------	----------------------	--

Thermal Protectors	456
---------------------------	-------	-----

M23A	Thermostats	
M23B	Exchange Thermal Overload	
M23C	Install Resistance Temperatures Detectors	

Thermocouples	457
----------------------	-------	-----

M24A	Iron Constantan	
------	-----------------	--

Thermistors	457
--------------------	-------	-----

M25A	Thermistors	
------	-------------	--

Tropicalization	458
------------------------	-------	-----

M26A	Protection of Windings and Mechanical Parts	
------	---	--

Weatherproofing	458
------------------------	-------	-----

M27A	Treatment of Windings and Mechanical Parts	
M27B	NEW! Upgrade to IP55 Protection	
M27C	NEW! Corrosion Resistant Treatment of Windings	

Shaft Modifications	459
M29A	Drill and Tap or Flat	
M29B	Convert from TEFC to TEAO	
M29C	Threading	
M29D	Convert "T" Frame to "U" Frame Shaft Dimension or Smaller (TS)	
M29F	Shorten Shafts without Reducing the Overall Dimension	
M29I	Machine Explosion Proof Motor Shafts from T to a U Frame	
M29J	Convert "L" Frame to "S" Frame for Coupled Duty	
Grounding Screws	460
M30A	Add Grounding Screw on Endplate	
Tach and Encoder Mounting Kits	461
M31A	Add Tach Mounting Kits to DC Motors	
M31B	Add Tach Mounting Kits with BTG1000 Tach	
M31C	Add Tach Mounting Kits with XPY Tach	
M31D	Add Encoder Kit to Inverter Duty Motors	
M31E	Additional Mounted Encoder Option for IDRPM Motors	
Testing	462
M32A	Performance Testing Per IEEE 112	
M32B	Witnessed IEEE 112 Performance Testing	
Testing	462
M33A	Short Motor Test	
M33B	Routine Motor Test	
M33C	Complete Motor Test	
M33D	Calibration Test	
M33E	Sound Measurement Test	
Worm Gear Modifications	464
M34A	Install Bases on Worm Gear Speed Reducers	
M34B	Convert From Single to Double End Output Shaft on Worm Gear Speed Reducers	
M34C	Convert Output Shaft from Left Hand to Right Hand or Vice Versa on 900 or Universal Series Reducers	
M34D	Install Motor on 900 F-Series or Universal STF-Series Reducers	
Terminal Blocks (50Hz, 3 Phase Motors Only)	465
M35A	Install Terminal Blocks in Conduit Box and Connect Leads	
Starters	466
M36A	Add Magnetic or Manual Starter to Grinder or Buffer – Starter – Single Phase	
M36B	Add Magnetic or Manual Starter to Grinder or Buffer – Starter – Three Phase	
M36C	Add Magnetic or Manual Starter to Grinder or Buffer – Magnetic Starter – Three Phase	
M36D	Overload Protection for Dust Control Unit	
Voltage	467
M37A	Change a Grinder Dust Control Unit to a 575 Volt	
Fan Change	467
M38A	Change TEFC fan and nameplate for adjustable speed use	
Shaft Grounding	467
M39A	Shaft Grounding Systems	
M39B-1	AEGIS® Bearing Protection Ring	
M39B-2	Inpro/Seal® Current Diverter Ring™	
M39B-3	Inpro/Seal® Motor Grounding Seal™	
M39C	NEW! Baldor Shaft Grounding Brush Assembly	
Check Total Indicated Runout (TIR)	469
M40A	NEW! Check Total Indicated Runout (TIR)	
Vibration Detectors	470
M41A	NEW! Provisions for Vibration Detection	
M41B	NEW! Add Vibration Switch	
M41C	NEW! Add Velocity Transducer	
M41D	NEW! Add Accelometer	
Cast Iron Endplate	470
M42A	NEW! Install Cast Iron Endplate	

Motor Mod Express®

Ordering Information

Note: Motors made for sale in the U.S. by Baldor must comply with the Energy Independence and Security Act of 2007 (EISA) including those modified from stock. After any modification, the motor must comply with the Energy Independence and Security Act of 2007 (EISA) or the applicable regulations such as Natural Resources Canada if used in that country.

For example, it is not permissible to take a footless VM3615T and add a base to it. Such a base-mounted motor needs to comply with NEMA MG 1, table 12-12 for a premium motor which means a VEM Super-E® motor should have been used instead.

To order, specify the catalog number of the stock product and the MOD number. Use the motor discount for the motor. All modifications should be priced using the modification list price, applying the appropriate multiplier symbol for the motor. **Lead times indicated are subject to availability of stock motors in the Fort Smith and Kings Mountain Warehouses.** Customer will absorb all freight costs when motor is shipped to Fort Smith from field warehouses.

NOTE: Some modifications do not apply to explosion-proof motors. Contact Baldor for Approval.

MOD Express Cancellation Policy

Should it be necessary to cancel an order for a motor after it is modified, but before it ships – a cancellation charge of double the modification charge will be invoiced to the customer. Any MOD order cancelled before modification is completed is subject to 25% cancellation charge.

Once shipped, modified motors returned at purchaser's expense will be invoiced at double the MOD fee plus 10% restock fee.

NOTE: Mod Express for RPM AC, RPM III DC and V*S Master is available. Contact your local Baldor•Reliance District Office for details.

Some modifications cannot be performed on UL, CSA, or UL/CSA Certified Grinders, Buffers, or Belt Sanders without voiding the Certification. In such instances, the Certification Mark(s) would need to be removed. Please contact your Baldor representative.

Note

NEW modifications are indicated with **RED** Titles.

All lead times indicated are subject to availability of stock motors and parts in the Fort Smith and Kings Mountain warehouse. Please check stock availability before quoting lead time.

Some conversions may not be allowed if they result in a change of operating parameters that affect efficiency or change the EISA or NRCAN classification of compliant motors.

Modification prices do not include the cost of the motor, speed reducer, etc.

**Modification
Number**

**Motor Mod Express®
Description and List Price**

**Working Days
Required**

**Balance
M1A**

Dynamic Balance of Rotor

Re-balance stock motor to special balance NEMA 42 through 5810 frame.

TWO
DAYS

Squirrel Cage Type			
NEMA Frame	Standard Balance	Special Balance	List Price Per Motor
42 - 145	0.15"/s	0.08"/s	256
182 - 215	0.15"/s	0.08"/s	621
254 - 286	0.15"/s	0.08"/s	894
324 - 364	0.15"/s	0.08"/s	1734
404 - 445	0.15"/s	0.10"/s	2100
447 - 449	0.15"/s	0.10"/s	2192
5008 - 5810	0.15"/s	0.10"/s	2231

NOTE: Balance units are for velocity in inches per second.
Special balance is the standard level for IEEE-841 (2009).

Bearings

M2A

Sealed

This modification provides the option of replacing standard bearings in AC motors with sealed bearings.

TWO
DAYS

NEMA Frame	List Price Per Motor (2 Bearings)
48, 56	181
143 - 145	185
182 - 184	233
213 - 215	233
254 - 256	435
284 - 286	435
324 - 326	562
364 - 365	562

NOTE: Grease fittings will be replaced with slotted head pipe plugs. Contact your Baldor Representative.
Grease fittings will be replaced with slotted head pipe plugs unless otherwise specified.

M2B

Ball to Roller 1800 RPM or Below

Roller bearings have the capability to handle higher radial loads than ball bearings, but must have high minimum radial loads to operate correctly. Roller bearings must only be used in heavy belted loads, they are not suitable for coupled loads. Because of the heavy overhung loads, most stock motors 440 frames and smaller are not suitable for roller bearing conversion. Only the stock 5000 and 5800 frame TEFC motors with "L" shafts have high strength steel shafts. Conversion may be performed on these in the Kings Mountain Plant (not FSM Mod Express Center). Contact Baldor for Freight charges to the plant for these motors.

TWO
DAYS

Also see the main catalog section for motors that Baldor stocks with roller bearings already installed. These stock motors are identified with a "LR" suffix after the catalog number (M442S6LR-2340).

Does Not Apply to Explosion-Proof Motors or designs that must be built as custom motors.

NEMA Frame	List Price Per Motor
5008L - 5810L	1856

NOTE: *449T - Applicable to 449T, 2300 volt and above.

Motor
Accessories

PT Components

Grinders

Baldor
Mod Express

ABB
Mod Express

ABB ATEX
Mod Express

Product
Index

**Modification
Number**

**Motor Mod Express®
Description and List Price**

**Working Days
Required**

Bearings continued...

M2C Add Thermocouple to Bearing Housing

Iron constantan thermocouples unless specified otherwise. 449T Frame and up, leads for temperature detectors are brought into separate terminal housing condulets located at each bearing housing.

CONTACT
YOUR
BALDOR
DISTRICT
OFFICE

NEMA Frame	List Price Per Bearing
449T	1407
5008 - 5810	1407

NOTE: 5008 frame and up, option is available to terminate detector leads in the stator RTD box. If required please specify. Additionally, we have option to terminate bearing temperature detectors into a separate terminal box. See M4E. Contact Baldor for lead time and freight charges back to plant of manufacturing.

M2D Add Bearing Temperature Detector

100 OHM Platinum Standard. (10 OHM and 120 OHM available)

CONTACT
YOUR
BALDOR
DISTRICT
OFFICE

NEMA Frame	List Price Per Bearing
449T	1407
5008 - 5810	1407

NOTE: 5008 frame and up, option is available to terminate detector leads in the stator RTD box. If required please specify. Additionally, we have option to terminate bearing temperature detectors into a separate terminal box. See M4E. Contact Baldor for lead time and freight charges back to plant of manufacturing.

M2E Add Sealed Bearings

See M2A for Sealed Bearings.

TWO
DAYS

M2F Add Isolated Bearings NEMA 56 Through 5810 (SKF Insocoat or equivalent)

Totally Enclosed (TEFC) 5008-5810 motors come standard with insulated opposite drive bearing. If insulating both bearings, Baldor recommends addition of M39A.

TWO
DAYS

NEMA Frame	List Price (x2 per set)
56 - 145T	539
182T - 184T	560
213T - 215T	762
254T - 256T	1168
284T - 286T	1466
324T - 326T	1634
364T - 365T	1693
404T - 405T	1772
444T - 445T	1852
447T - 449T	3174
5008 - 5810	1243 (1 Bearing)

NOTE: For 449T - 5810 frame motors 2300V and up, requires the addition of M39A. Contact Baldor for pricing and availability of insulating bearings on Open (WP-II) O5810 frames.

**Modification
Number**

**Motor Mod Express®
Description and List Price**

**Working Days
Required**

M2G

Roller to Ball Bearing 1800 RPM or Below

This modification is to convert all LR catalog 5000 frame motors and above from roller bearings to standard ball bearing design. Roller bearings have the capability to handle higher radial loads than ball bearings, but must have high minimum radial loads to operate correctly. It is recommended that roller bearings only be used in heavy belted loads and not for coupled loads.

CONTACT
YOUR
BALDOR
DISTRICT
OFFICE

NEMA Frame	List Price Per Bearing
5008-5810	1537

NOTE: *449T frame 2300 volt and above
Contact Baldor for lead time and freight charges back to plant of manufacturing.

Brake Motors

M3A

Convert Standard to Weatherproof

Standard base mounted, TEFC brake motors will be converted to W/P brake motors. Includes replacement of standard brake with W/P brake of the same rating and weatherproofing of motor (See M27).

CONTACT
YOUR
BALDOR
DISTRICT
OFFICE

Brake Rating lb-ft	List Price Per Motor	Brake Rating lb-ft	List Price Per Motor
3	648	50	1330
6	659	75	1373
10	668	105	1672
15	751	125	2591
25	758	175	3323
35	791	230	3572

NOTE: TENV, C-Face brake motors can be converted also. **TEFC C-Face brake motors cannot be converted.**

M3B

Convert to Vertical Mounting

Standard brake motors will be modified so that brakes will be operable in a brake-below motor or a brake-above motor vertical mounting position.

CONTACT
YOUR
BALDOR
DISTRICT
OFFICE

Brake Rating lb-ft	List Price Per Motor	Explosion-Proof List Per Motor-Additional
10 - 15	STD	159
25 - 35	368	223
50 - 75	416	251
105	551	332
125 - 175	918	552
230	1161	

NOTE: Specify if brake is to be above or below motor

M3C

Add Larger or Smaller Brake (All Types)

Contact Baldor for application assistance.

List Price: \$308 per brake (plus difference in brake cost).

CONTACT
YOUR
BALDOR
DISTRICT
OFFICE

**Modification
Number**

**Motor Mod Express®
Description and List Price**

**Working Days
Required**

Brake Motors continued...

M3D

Change Stearn's Brake

Brake coils will be changed to allow operation from different voltage supplies for both 50 and 60 hertz AC or from DC supplies. External brake coil lead connections will be brought from the brake or from the motor conduit box when necessary in the application.

Specify brake lead location, voltage of brake coil, frequency of supply source. (Allow 2 weeks for brake coil delivery.)

List Price: \$282 per brake (plus any difference in coil cost).

CONTACT
YOUR
BALDOR
DISTRICT
OFFICE

M3E

Add a Double C-Face Coupler Brake

Double C-Face coupler brakes. Mounts on motors with C-Face. Provides NEMA C-Face mounting on brake. Spring set, electrically released.

CONTACT
YOUR
BALDOR
DISTRICT
OFFICE

Brake Rating lb-ft	Brake Mounting	List Price Per Motor
3	56C	832
6	56C	1105
6	145TC	1105
10	145TC	1249
15	145TC	2387

NOTE: Rating up to a 105 ft. lb. is available. Contact Baldor Representative for approval and delivery time.

M3F

Remove Brake From a Brake Motor

Brake is removed for customers who will be supplying a brake at their location.

CONTACT
YOUR
BALDOR
DISTRICT
OFFICE

Brake Rating	List Price Per Motor
All	184

M3G

Change Dodge Brake

Brake will be changed to specified hertz, voltage, and brake rating. (Allow 2 weeks for brake delivery)

List Price: \$282 per brake (plus any difference in brake cost).

CONTACT
YOUR
BALDOR
DISTRICT
OFFICE

**Modification
Number**

**Motor Mod Express®
Description and List Price**

**Working Days
Required**

Conduit Box

M4A

Tap or Provide Additional Lead Hole

TWO
DAYS

Lead outlet hole in conduit box with dimensions as shown below will be tapped to accept threaded conduit as shown in "Optional threaded hole..." column below. An additional clearance hole or threaded hole may be supplied if specified. Use same list adder for threaded hole.

NEMA Frame	Stock Motor		Optional Threaded Hole For Conduit Size	List Price Per Motor
	Hole Diameter *	For Conduit Size		
48 - 145T	7/8"	1/2"	3/4"	126
182 - 215T	1-1/16"	3/4"	1"	126
254 - 256T	1-3/8"	1"	1-1/4"	206
284 - 326T	2"	1-1/2"	2"	206
364 - 365T	2-1/2"	2"	2-1/2"	276
404 - 405T	3"	2 1/2"	3"	300
444 - 447T	3"	2-1/2"	3"	300

NOTE: * Stock motor lead holes are not threaded except on Dirty Duty and Chemical Process motors. Extra lead holes do not apply to Explosion Proof motors. If additional hole is needed, specify hole diameter and exact location. Contact your Baldor representative for application assistance.

M4B

Rotate Conduit Box Lead Opening

TWO
DAYS

Specify lead opening location facing conduit box
List Price Per Motor: \$147

M4C

Add Oversized Cast Iron Conduit Box

TWO
DAYS

NEMA Frame	List Price Per Motor
182-184T	298
213-215T	298
254-256T	298
284-286T	427
324-326T	433
364-365T	459
404-405T	491
447-449T	515

NOTE: Consider use of IEEE 841 motors that have oversized conduit boxes standard.

M4E

**Add Conduit Box for Accessory Leads
Does not apply to Explosion-Proof Motors.**

CONTACT
YOUR
BALDOR
DISTRICT
OFFICE

NEMA Frame	List Price Per Motor
449T*	407

NOTE: *Applicable to 449T frame 2300 volt and above
Contact Baldor for lead time and freight charges back to plant of manufacturing.

**Modification
Number**

**Motor Mod Express®
Description and List Price**

**Working Days
Required**

Cord

M5A

Install Line Cord in Conduit Box or Terminal Panel

Heavy duty, industrial type SO oil resistant cord with ground will be installed in conduit box or terminal panel. Strain relief included. Plug not included. **Does Not Apply to Explosion-Proof Motors.**

TWO
DAYS

Some modifications cannot be performed on UL, CSA, or UL/CSA Certified Grinders, Buffers, or Belt Sanders without voiding the Certification. In such instances, the Certification Mark(s) would need to be removed. Please contact your Baldor representative.

Wire Gauge	Amp Rating		Six Feet or Less List Price	Each Additional Foot to Ten Max List Price
	Single Phase	Three Phase		
18	10	7	133	10
16	13	10	133	11
14	18	15	154	14
12	25	20	162	15

NOTE: Specify voltage and rotation facing drive end of motor.

M5B

Install 6 Foot, 3 Conductor, Type SO Cord With Plug

With ground plug for 115VAC, single phase only. **Does Not Apply to Explosion-Proof Motors.**

TWO
DAYS

Some modifications cannot be performed on UL, CSA, or UL/CSA Certified Grinders, Buffers, or Belt Sanders without voiding the Certification. In such instances, the Certification Mark(s) would need to be removed. Please contact your Baldor representative.

Hp	List Price Per Motor
1 Hp and smaller	142

NOTE: Advise rotation facing drive end of motor

Motor
Accessories

PT Components

Grinders

Baldor
Mod Express

ABB
Mod Express

ABB ATEX
Mod Express

Product
Index

Modification Number	Motor Mod Express® Description and List Price	Working Days Required
---------------------	--	-----------------------

Switch

M6A	Install Switch, Cord and Plug (Single Phase Only)	TWO DAYS
------------	--	----------

Includes installation of cord with ground prong and two pole single throw switch. **Does Not Apply to Explosion-Proof Motors**

Some modifications cannot be performed on UL, CSA, or UL/CSA Certified Grinders, Buffers, or Belt Sanders without voiding the Certification. In such instances, the Certification Mark(s) would need to be removed. Please contact your Baldor representative.

Hp	Rating	List Price per Motor
2 Hp and smaller	16-20A/115V or 230V	299

NOTE: Advise voltage and rotation facing drive end of motor

M6C	Change from Mechanical to Electronic Switch (Single Phase Only)	TWO DAYS
------------	--	----------

2 Hp and smaller (Includes price of switch). Remove mechanical switch from inside motor and install electronic switch in motor conduit box. Contact Baldor for assistance.

Does Not Apply to Explosion-Proof Motors

Some modifications cannot be performed on UL, CSA, or UL/CSA Certified Grinders, Buffers, or Belt Sanders without voiding the Certification. In such instances, the Certification Mark(s) would need to be removed. Please contact your Baldor representative.

Hp	List Price per Motor
2 Hp and smaller	313

Motor Accessories

PT Components

Grinders

Baldor Mod Express

ABB Mod Express

ABB ATEX Mod Express

Product Index

Modification Number	Motor Mod Express® Description and List Price	Working Days Required
---------------------	---	-----------------------

Drains

M7C **Close Standard Condensation Drain Holes.** TWO DAYS
 Close existing drain holes with plugs.
Does Not Apply to Explosion-Proof Motors

NEMA Frame	List Price Per Motor
215 and Smaller	185
254 - 449	223

M7D **Add Breather Drains to Cast Iron Explosion-Proof Motor.** TWO DAYS

Drain Type	List Price Per Motor
UL Listed Explosion Proof Drain - ANSI 316 S.S.	389
UL Listed Explosion Proof Drain - Crouse-Hinds ECD	437

Dripcovers

M8A **Install Dripcover on TEFC or ODP** TWO DAYS

NEMA Frame	List Price Per Motor ODP or TEFC
48 - 145	147
182 - 184	158
213 - 215	176
254 - 256	202
284 - 286	244
324 - 326	270
364 - 365	488
404-405 (NEMA Frame)	488
444 - 449 (NEMA Frame)	692

Motor Accessories

PT Components

Grinders

Baldor Mod Express

ABB Mod Express

ABB ATEX Mod Express

Product Index

Modification Number	Motor Mod Express® Description and List Price	Working Days Required
---------------------	--	-----------------------

Slurry Coat & Encapsulation

M9B Encapsulation
Not available as ModX. Encapsulation is available on Washdown Duty motors as a custom motor option.

Leads

M10A Install Terminal Lugs TWO DAYS
Ring-type non insulated terminals made of copper alloy and seamless compression type lugs. Prices are standard 3-lead single voltage three-phase motors. Multiply mod list adder for actual number of leads per motor.

NEMA Frame	List Additions for 3 Terminal Lugs
215 and Smaller	180
254-365	223
404-445	265
447-449	265

NOTE: 5008 and up, come standard with lead lugs. Option is for conversion to single or double Burndy style lugs. 5008 and above contact your Baldor Representative for lead time and freight charges back to plant of manufacturing.

M10B Reconnect Motor from Nine Leads to Three, Specify Voltage When Ordering TWO DAYS

NEMA Frame	List Price Per Motor
42 - 145	162
182 - 184	251
213 - 215	333
254 - 256	375
284 - 286	494
324 - 326	624

NOTE: On explosion proof, leads are connected in conduit box.

Motor Accessories

PT Components

Grinders

Baldor Mod Express

ABB Mod Express

ABB ATEX Mod Express

Product Index

**Modification
Number**

**Motor Mod Express®
Description and List Price**

**Working Days
Required**

Leads continued...

**M10C Reconnect Motor to High or Low Voltage in
Conduit Box**

TWO
DAYS

Please specify voltage.

NEMA Frame	List Price Per Motor
42 - 145	162
182 - 184	251
213 - 215	333
254 - 256	375
284 - 286	494
324 - 326	624

**M10D Longer Leads, Additional Leads added:
Does Not Apply to Explosion-Proof Motors.**

TWO
DAYS

Some modifications cannot be performed on UL, CSA, or UL/ CSA Certified Grinders, Buffers, or Belt Sanders without voiding the Certification. In such instances, the Certification Mark(s) would need to be removed.

Please contact your Baldor representative.

NEMA Frame	Number of Leads	List Price		
		18 Inches	24 Inches	36 Inches
42-286	3 - 12 Leads	215	218	224
	3 Leads	324	335	346
324-449	6 Leads	358	380	403
	9 Leads	392	425	459
	12 Leads	425	470	515

NOTE: If lead requirements are longer than 8 feet contact Baldor Sales Team.

Motor
Accessories

PT Components

Grinders

Baldor
Mod Express

ABB
Mod Express

ABB ATEX
Mod Express

Product
Index

**Modification
Number**

**Motor Mod Express®
Description and List Price**

**Working Days
Required**

Lubrication

M11B Add High Temperature Grease

Bearing grease may be changed to allow an operating temperature range above the standard grease, which is Exxon POLYREX®EM, with bearing operating temperature range of -15° to +250°F. Roller bearings are lubricated using Mobil SHC-220 grease. Motors must be studied by Fort Smith application engineering for acceptable temperature rise above 40°C ambient. New bearings are installed when grease is changed.

TWO
DAYS

Does Not Apply to Explosion-Proof Motors

NEMA Frame	List Price Per Motor
48	126
56 - 145T	135
182 - 184T	145
213 - 215T	150
254 - 256T	192
284 - 286T	213
324 - 326T	299
364 - 365T	319
404 - 405T	507
444 - 449T*	700

NOTE: *Contact Baldor for availability on 449T frames 2300 Volt and above. Contact your Baldor representative to discuss application prior to ordering.

Seals

M12A Install Oil Seals

Nitrile is the standard oil seal material.

CONTACT
YOUR
BALDOR
DISTRICT
OFFICE

NEMA Frame	List Price Each
48, 56	342
143T - 145T	342
182T - 184T	378
213T - 215T	417
254T - 256T	574
284T - 286T	673
324T - 326T	760
364T - 365T	956
404T - 405T	956
444T - 449T*	1008

NOTE: Does Not Apply to Explosion-Proof Motors
*For 449T frames 2300 Volt and above, consult M27B Mod.

Motor
Accessories

PT Components

Grinders

Baldor
Mod Express

ABB
Mod Express

ABB ATEX
Mod Express

Product
Index

**Modification
Number**

**Motor Mod Express®
Description and List Price**

**Working Days
Required**

Seals continued...

M12B Install Inpro/Seal® Drive End Only

FOUR
DAYS

Contact Baldor for Other Frame Sizes. Inpro/Seal® VBX is the standard material used.

NOTE: Contact Baldor for opposite drive end installation or order IEEE 841 motor from stock.

Does Not Apply to Explosion-Proof Motors

NEMA Frame	List Price Each
143T-215T	1070
254-256T	1340
284-286T	1428
324-326T	1516
364-365T	1739
404-405T	1825
444-449T	2224
5008 - 5810	1049

Mountings

M13A Add Rigid Base

TWO
DAYS

Weld stamped steel base to steel band explosion proof motor unless motor meets VEM or VEL. Not available if conversion results in motors that fall under EISA/NRCAN requirements. All other steel band motors cannot be welded due to Autophoretic Coding.

NEMA Frame	List Price Per Motor
42 - 48	168
56	172
143 - 145T	172
182 - 184T	209
213 - 215T	251

NOTE: Not available for cast iron motors.

M13B Install NEMA C-Face Steel Band Motor Construction

TWO
DAYS

Add to rigid base mounted motor. Not for explosion proof motors.

NEMA Frame	List Price Per Motor
42, 48 & 56	221
143 - 145T (1)	221
182 - 184T (1)	242
213 - 215T (1)	293
254 - 256T (2)	557
284 - 286T (2)	756
324 - 326T (2)	988

284T &
LARGER
SUBJECT TO
CASTING
AVAILABILITY

NOTE: (1) These motors will have a non-NEMA BA dimension when C-Face is added.
(2) Applies to ODP only.

**Modification
Number**

**Motor Mod Express®
Description and List Price**

**Working Days
Required**

Mountings continued...

M13C-1 Install NEMA C-Face - Cast Iron Construction

TWO
DAYS

Install Cast Iron Endplate where aluminum die cast parts are supplied as standard.

Does Not Apply to Explosion-Proof Motors, See M13G

NEMA Frame	NEMA C-Face Price
48 & 56	234
143 - 145T (1)	234
182 - 184T (1)	282
213 - 215T (1)	324
254 - 256T	717
284 - 286T	988
324 - 326T	1069
364 - 365T	1153
404 - 405T	1438
444 - 449T	1725

NOTE: (1) These motors will have a non-NEMA BA dimension when C-Face is added. Specify C-face or Standard horizontal endplate.

Westville open motors cannot be modified to C-Face.
Contact Baldor.

M13C-2 Install NEMA C-Face – IEEE 841 Motors

Cast Iron Endplate replaces aluminum die cast parts.

NEMA Frame	NEMA C-Face Price
284 - 365TC	1022
324 - 326TC	1590
364 - 326TC	1611
404 - 405TC	1793
447 - 449TC	1902

M13D Add D-Flange

Some motors may be converted to D-Flange mounting and meet NEMA BA dimensions.

All other frame sizes needing D-Flange mounting please order as custom motor.

Does not Apply to Explosion Proof Motors

CONTACT
YOUR
BALDOR
DISTRICT
OFFICE

Steel Band

NEMA Frame	List Price Per Motor
320	986

Cast Iron

NEMA Frame	List Price Per Motor
180	321 * †
250	1069 *
280	1192 *
320	1357 *

NOTE: * TEFC motors only
† Must start with motor that already has C-Face on it.

Motor
Accessories

PT Components

Grinders

Baldor
Mod Express

ABB
Mod Express

ABB ATEX
Mod Express

Product
Index

**Modification
Number**

**Motor Mod Express®
Description and List Price**

**Working Days
Required**

Mountings continued...

M13E Remove Rigid Base From Foot Mounted Steel Band Motors

TWO
DAYS

NEMA Frame	List Price Per Motor	NEMA Frame	List Price Per Motor
42 - 48	224	213 - 215T	372
56	230	254 - 256T	529
143 - 145T	230	284 - 286T	600
182 - 184T	279	324 - 326T	736

NOTE: Bases cannot be removed from explosion proof motors.

M13F-1 Convert Mounting Configuration for Steel Band Motor

THREE
DAYS

Available on all Steel Band AC motors through 449T Frame. For conversion to F2 designs, check available inventory before using Mod. Consists of repositioning endplate vents, condensation drains, and where applicable, the conduit to positions shown in chart on page 451. Converting a steel band motor requires a new steel band frame.

**Does Not Apply to Stainless Steel Band Motors
Does Not Apply to Explosion-Proof Motors**

NEMA Frame Enclosure	Specify Mounting configuration using Drawings on Pg. 451		List Price Per Motor
	ODP	TEFC	
UP TO 184T	Yes	Yes	564
213 - 215T	Yes	Yes	564
254 - 326T	Yes	254-6	733
364 - 449T	Yes	Yes	959

M13F-2 Convert Mounting Configuration for Cast Iron Motor

THREE
DAYS

Available on all Cast Iron AC motors through 449T Frame. For conversion to F2 designs, check available inventory before using Mod. Consists of repositioning endplate vents, condensation drains, and where applicable, the conduit to positions shown in chart on page 451.

Does Not Apply to Explosion-Proof Motors

NEMA Frame Enclosure	Specify Mounting configuration using Drawings on Pg. 451		List Price Per Motor
	ODP	TEFC	
UP TO 184T	Yes	Yes	213
213 - 215T	Yes	Yes	213
254 - 326T	Yes	Yes	213
365 - 449T	Yes	Yes	213
5008-5810	No	Yes	2231

**Modification
Number**

**Motor Mod Express®
Description and List Price**

**Working Days
Required**

Mountings continued...

M13G Add C-Face to Explosion Proof Motors

THREE
DAYS

Only available on NEMA frames shown below.

NEMA Frame	List Price Per Motor
56	268
143 - 145T	268
284 - 286T	1932
324 - 326T	2643
364 - 365T	2957
404 - 405T	3489

NOTE: Any other frame size must be built as a custom motor.

M13H Mount Dust Control Unit on Grinders

TWO
DAYS

Labor only to mount dust control unit.
Price does not include the dust control unit or any accessories.
See Accessories to order Dust Control Unit.

Wheel Size	List Price Per Grinder
All	213

M13I Mount Grinder or Buffer onto Pedestal

TWO
DAYS

Price does not include the grinder or buffer, pedestal or any accessories.

Wheel Size	List Price Per Grinder or Buffer
All	213

M13J Add Adjustable Motor Bases

TWO
DAYS

Adjustable motor bases bolted to fixed base on stock motor before shipping. NEMA 215T and smaller bases feature one adjusting screw. Bases on NEMA 254T frame and larger feature two adjusting screws.

NEMA Frame	List Price Per Motor
48 - 56	184
143T - 145T	210
182T - 184T	219
213T - 215T	238
254T - 256T	379
284T - 286T	414
324T - 326T	566
364T - 365T	716
404T - 405T	978
444T - 445T	1156
447T - 449T	1331

NOTE: Bases not suitable for vertical mounting.

**Modification
Number**

**Motor Mod Express®
Description and List Price**

**Working Days
Required**

Mountings continued...

M13K Add Two Piece Transition Base

A custom designed adapter base allows stock 5008-5810 frame motors to mount in existing applications, where standard footprint and shaft height are not sufficient. Mounting dimension and shaft height of existing machine is required prior to order. Please note terminal boxes, accessory boxes, and overall length may be different. Please reference drawing of stock motor to ensure proper overall fit in your application.

List price – Consult factory for quote.

M13L Add Steel Fan Cover

Add Steel Fan Cover on TEFC motors.

NEMA Frame	List Price
5008-5012	618
5810	782

NOTE: Some ratings may come with steel fan cover as standard. Please reference notes for stock product. Contact Baldor for lead time and freight charges back to plant of manufacturing

M13M Add Low Noise Fan and/or Fan Cover

Add low noise steel fan cover to TEFC motors. Please contact Baldor for expected sound levels when using low noise fan covers.

NEMA Frame	List Price
5008-5810	Quote

M13N Add Cast Iron Fan Cover

Converting a General Purpose, Super-E Cast Iron motor with a Steel Fan Cover to a Cast Iron Fan Cover.

NEMA Frame	List Price
143-145T	271
182-184T	284
213-215T	321
254-256T	349
404-405T	384
447-449T	437

Motor
Accessories

PT Components

Grinders

Baldor
Mod Express

ABB
Mod Express

ABB ATEX
Mod Express

Product
Index

Modification Number	Motor Mod Express® Description and List Price	Working Days Required
---------------------	---	-----------------------

Motor Accessories

PT Components

Grinders

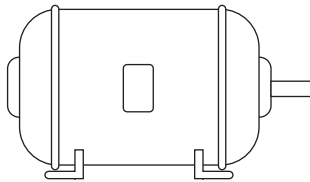
Baldor Mod Express

ABB Mod Express

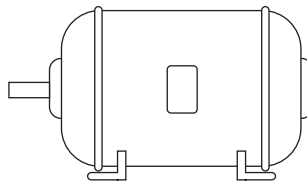
ABB ATEX Mod Express

Product Index

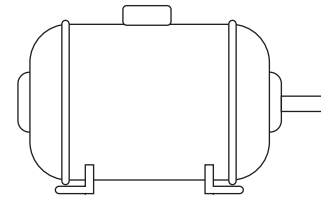
Floor Mountings



Assembly F-1

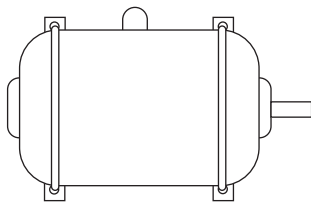


Assembly F-2

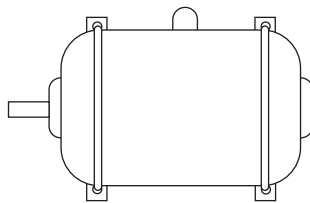


Assembly F-3

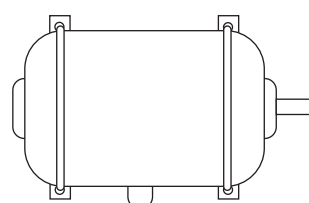
Wall Mountings



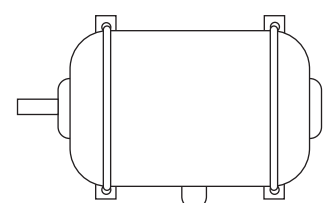
Assembly W-1



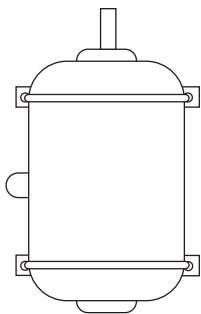
Assembly W-2



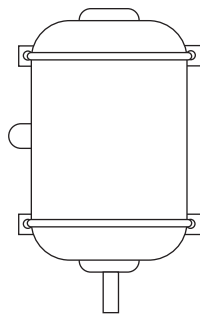
Assembly W-3



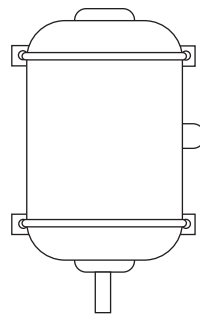
Assembly W-4



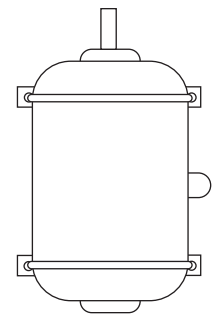
Assembly W-5



Assembly W-6

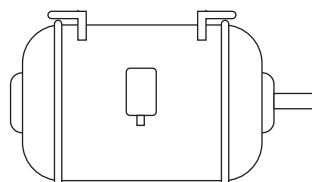


Assembly W-7

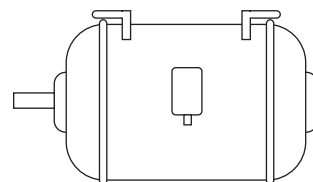


Assembly W-8

Ceiling Mountings



Assembly C-1



Assembly C-2

NOTE: For all NEMA mounting configurations, refer to NEMA MG 1-2009.

**Modification
Number**

**Motor Mod Express®
Description and List Price**

**Working Days
Required**

Export Packaging

M14A Open Crate Packaging

Replace standard motor packaging with Open Crate. For NEMA 360 thru 449 frames the open crate has Euro base as standard. Requests for Euro pallet on NEMA 320 frame and smaller must be made in shipping instructions.

FIVE
DAYS

NEMA Frame	Open Crate List Price
56-215	420
254-326	547
364-445	772
447-449	873
5008-50012	1556
5810	1660

M14B Totally Enclosed Crate Packaging

Replace standard motor packaging with Enclosed Crate. For NEMA 360 thru 449 frames the enclosed crate has Euro base as standard. Requests for Euro pallet on NEMA 320 frame and smaller must be made in shipping instructions.

FOUR
DAYS

NEMA Frame	Enclosed Crate List Price
56-215	526
254-326	740
364-445	921
447-449	1070
5008-50012	6974
5810	7599

M14C Motor and Nameplate Photograph

Take photo of motor and nameplate for FAA Security Endorsement Documents. Photos will be attached to sales order.

List Price per Motor: \$85

Motor
Accessories

PT Components

Grinders

Baldor
Mod Express

ABB
Mod Express

ABB ATEX
Mod Express

Product
Index

Modification Number	Motor Mod Express® Description and List Price	Working Days Required
---------------------	--	-----------------------

Nameplate

M15A	<p>Provide Original Nameplate for Remote Mounting Extra nameplate is packed with motor, not mounted. All CSA and UL_R markings are removed on duplicate nameplates. Shipped loose. List Per Motor: \$123 5000 Frame and Above: \$369 List</p>	TWO DAYS
-------------	--	-------------

M15B	<p>Replace Nameplate Replace motor nameplate which may include customer part numbers, voltage, hertz, etc. List Per Motor: \$147 5000 Frame and Above: \$400 List</p>	TWO DAYS
-------------	--	-------------

M15C	<p>Laser Engrave Nameplate into Stainless Steel Motor Motor nameplate is laser etched on stainless steel band surface up to 210 frame motor List Per Motor \$147</p>	TWO DAYS
-------------	--	-------------

M15E	<p>Mail Nameplates to Customer (All CSA and UL_R markings are removed on nameplates ordered as a mail out order) No Explosion Proof Nameplates (No Exceptions!) Order minimum charge of \$31 net. Add \$3.00 net for each additional nameplate. 5000 Frame and Above: \$369 NOTE: No charge orders only accepted if with RA or warranty claim. Nameplates for Explosion-proof motors will not be mailed out, no exceptions.</p>	TWO DAYS
-------------	---	-------------

M15F	<p>Mark Nameplate with CE The motor has to meet ie² efficiency standards and be ATEX / IECEx approved in order to be CE marked. Does not apply to Div. 1 or Div. 2 classified motors. List Per Motor \$147</p>	TWO DAYS
-------------	---	-------------

Blowers

M16A	<p>Add Constant Velocity Blower Unit For Baldor legacy products, contact Baldor for details.</p>	TWO DAYS
-------------	---	-------------

M16B	<p>Convert from a 3 Phase to a Single Phase Blower</p>	TWO DAYS
-------------	---	-------------

NEMA Frame	List Price Per Motor
All	228

Motor Accessories

PT Components

Grinders

Baldor Mod Express

ABB Mod Express

ABB ATEX Mod Express

Product Index

**Modification
Number**

**Motor Mod Express®
Description and List Price**

**Working Days
Required**

Paint

M17A

Paint Motor to Baldor Stock Paint Color

Baldor Stock colors are: Metallic Gray, Reliance Blue/Green, Gold Super-E, Black, White, Silver, Lite Tan. Stock colors for 5008 and up are: White, Black, Yellow, Gray and Signal Red. Please specify color on order.

All orders that call for Epoxy Paint require an additional day to allow for complete drying of paint.

TWO
DAYS

NEMA Frame	List Price Per Motor
42 - 215T	147
254 - 449T	579
5008 - 5812	1294

NOTE: 5008-up contact Baldor for lead time and freight charges back to plant of manufacturing.

M17B

Paint Motor or Parts to Customer Specified Color

Painted parts include, but are not limited to, fan covers, conduit boxes, drip covers, etc.

Please provide color chip or RAL number on order.

All orders that call for Epoxy Paint require an additional day to allow for complete drying of paint.

List price: Contact Baldor for quote.

TWO
DAYS

NOTE: For 5008-5810 contact Baldor Representative for price and delivery.

Lifting Lugs

M18A

Add Lifting Lugs Up to a 326T Frame Size

TWO
DAYS

NEMA Frame	List Price Per Motor
48 - 145T	219
182 - 215T	272
254 - 286T	353
324 - 326T	431

Screens

M19A

Add Rodent Screens to Open Drip-Proof Motors

TWO
DAYS

NEMA Frame	List Price Per Motor
56	293
143-215T	380
254-365T	461
404-449T	535

Motor
Accessories

PT Components

Grinders

Baldor
Mod Express

ABB
Mod Express

ABB ATEX
Mod Express

Product
Index

**Modification
Number**

**Motor Mod Express®
Description and List Price**

**Working Days
Required**

Hardware

M20A Exchange Plated Hardware with Stainless Steel
Replaces all mounting hardware for fan cover, conduit box, bearing retainers, thru-bolts, and frame bolts with 304 stainless steel hardware.

TWO
DAYS

NEMA Frame	List Price Per Motor
56-184	337
213-215	373
254-256	431
284-286	488
324-326	561
364-405	647
444-445	792
447-449	876
5008-5810	3247

NOTE: 5008 frame and up, pricing includes grease and relief tubes.
Contact Baldor for lead time and freight charges back to plant of manufacturing

Space Heaters

M21A Add Space Heaters to TEFC or Open Motors
Standard space heater voltage is 110VAC. Heaters for 230 or 460 volts are available. Specify circuit voltage.

TWO
DAYS

NEMA Frame	List Price Per Motor
145T and Smaller	319
182 - 215T	402
254 - 365T	598
404 - 449T	680

NOTE: Strip type space heaters are standard. 5000 frame performed at plant of manufacturing. Contact Baldor for time.
Does Not Apply to Explosion-Proof Motors

M21B Add Conduit Box for Accessory Leads
See M4E
Not for explosion proof motors.

Textile Service

M22A Lint Proof Fan Cover for Textile Applications
Remove standard fan cover and replace with textile fan shroud and cover.

TWO
DAYS

NEMA Frame	List Price Per Motor
48 - 145T	292
182 - 184T	380
213 - 215T	429
254 - 256T	613
284 - 286T	719
324 - 326T	795
364 - 365T	944
404 - 405T	1026
444 - 449T	1108

Motor
Accessories

PT Components

Grinders

Baldor
Mod Express

ABB
Mod Express

ABB ATEX
Mod Express

Product
Index

**Modification
Number**

**Motor Mod Express®
Description and List Price**

**Working Days
Required**

Thermal Protectors

M23A

Thermostats

One or More Thermostats Laced to Winding

For over temperature protection. These are pilot circuit devices only with leads into conduit box tagged "JJ". Specify normally open or closed contacts. All ECP motors require hermetically sealed thermostats to maintain Division 2 marking.

TWO
DAYS

NEMA Frame	Number of Devices	Standard List Price Per Motor	Hermetically Sealed for Division 2
Single Phase	1	185	N/A
Three Phase 42 - 215T	3 (3)	209	304
Three Phase 254 - 449T	3 (3)	557	653
Direct Current 48 - 215T	1	209	N/A

NOTE: (3) In Series with two leads into conduit box. Normally open are in parallel.

Does Not Apply to Explosion-Proof Motors

M23B

Exchange Thermal Overload

Exchange from manual thermal overload to automatic thermal overload or exchange from automatic thermal overload to manual thermal overload.

TWO
DAYS

NEMA Frame	List Price Per Motor
	M.T.O to A.T.O. OR A.T.O. to M.T.O.
48 and 56	230
143 and 145T	235
182 - 184T	270
213 - 215T	372

Does Not Apply to Explosion-Proof Motors

M23C

Install Resistance Temperature Detectors

Install on low voltage winding endturns (Six 100 OHM RTD's).

CONTACT
YOUR
BALDOR
DISTRICT
OFFICE

NEMA Frame	List Price Per Motor
449T	4096

NOTE: Installing RTD on winding endturns are not as effective as embedded RTD in winding. For embedded RTD, build as custom motor.

Does Not Apply to Explosion-Proof Motors

Modification Number	Motor Mod Express® Description and List Price	Working Days Required
---------------------	---	-----------------------

Winding Thermocouples

(3 per motor, 6 foot standard length)

M24A Iron Constantan (3 per motor)
Specify location.

TWO DAYS

NEMA Frame	List Price Per Thermocouple
42 - 215T	202
254 - 449T	417

NOTE: Thermocouples are installed on end turns.
Does Not Apply to Explosion-Proof Motors

Winding Thermistors

Does Not Apply to Explosion-Proof Motors

M25A Thermistors
Thermistors are normally applied in sets of three (3) per motor,
One (1) per phase.
List Price per Motor: \$669

TWO DAYS

Motor Accessories

PT Components

Grinders

Baldor Mod Express

ABB Mod Express

ABB ATEX Mod Express

Product Index

**Modification
Number**

**Motor Mod Express®
Description and List Price**

**Working Days
Required**

Tropicalization

M26A Protection of Windings and Mechanical Parts

Protection from tropical environments.

TWO
DAYS

NEMA Frame	List Price Per Motor
	AC
Through 215T	244
254 - 365T	350
404 - 449T	598
5008 - 5810	1532

Weatherproofing

M27A Treatment of Windings and Mechanical Parts

Protection from the elements or high moisture areas.

TWO
DAYS

NEMA Frame	List Price Per Motor
	AC
Through 215T	238
254 - 365T	1112
404 - 449T	1306

NOTE: Baldor "Dirty Duty", "CP" and "ECP" motors are weatherproofed as standard.
Does Not Apply to Explosion-Proof Motors

M27B Upgrade to IP55 Protection

Includes all necessary mechanical modifications for TEFC motors to meet IP55.

Severe Duty NEMA frames are IP55 protected as standard.

TWO
DAYS

NEMA Frame	List Price
449T* - 5810	776

NOTE: *Available for 449T frame 2300 Volt and above
Contact Baldor for lead time and freight charges back to plant of manufacturing

M27C Corrosion Resistant Treatment of Windings

Epoxy coated rotor O.D. and stator I.D. including winding.

NEMA Frame	List Price Per Motor
	AC
5008 - 5010	1532

Motor
Accessories

PT
Components

Grinders

Baldor
Mod Express

ABB
Mod Express

ABB
ATEX
Mod Express

Product
Index

Modification Number	Motor Mod Express® Description and List Price	Working Days Required
---------------------	--	-----------------------

Shaft Modifications

FIVE
DAYS

Includes modifications to existing shafts only. Not applicable if new shaft is required. Price each modification per table. One or both bearings will be replaced after shaft modification is complete.

NEMA Frame	List Price Per Modification	NEMA Frame	List Price Per Modification
42 - 145T	219	254T - 256T	291
182 - 184T	230	284 - 286T	291
ASM62 (5)	270	324-326T	337
213 - 215T	319	364-365T	359
ASM75 (5)	319	404-405T	401

NOTE: (5) Arbor Saw Motors.

M29A Drill and Tap One Hole in End of Shaft or Mill Flat on Shaft Extension.

THREE
DAYS

Provide details on order. Price this modification per table above.

M29B Convert from TEFC to TEAO

THREE
DAYS

Cut off shaft extension for external fan. Price this modification per table above.

Does Not Apply to Explosion-Proof Motors

M29C Threading

FIVE
DAYS

Specify right hand or left hand thread, also type and length of thread. Price this modification per table above.

M29D Convert "T" Frame to "U" Frame Shaft Dimension or Smaller (TS)

FIVE
DAYS

Provide details on order.

NEMA Shaft	Conversion of T Frame to TS or U Frame
	List Price Per Motor
143 thru 145T	219
182 thru 215T	402
254 thru 286T	916
324 thru 365T	1364
404 thru 449T	2248

Motor
Accessories

PT Components

Grinders

Baldor
Mod Express

ABB
Mod Express

ABB ATEX
Mod Express

Product
Index

Modification Number	Motor Mod Express® Description and List Price	Working Days Required
---------------------	---	-----------------------

Shaft Modifications continued...

M29F Shorten Shafts Without Reducing the Overall Diameter THREE DAYS

Shortening the shaft may cause the motor to fall out of NEMA standards. If motor falls out of NEMA standards, the nameplate will be designated with a "TZ" to signify short shaft.

NEMA Shaft	List Price Per Motor
48 - 145T	232
182 - 215T	247
254 - 256T	253
324 - 326T	267
364 - 365	281
404 - 405	281
447 - 449	294

M29I Machine Explosion Proof Motor Shafts from T to U Frame

Contact Baldor for price and availability.

M29J Convert "L" Frame to "S" Frame for Coupled Duty

This modification includes taking an 1800 RPM 5008-5810L frame and shortening the shaft to 5008-5810S Frame Dimensions for Coupled Duty.

NEMA Frame	List Price
5008-5810	763

NOTE: When changing to S shaft dimensions, shaft material will be changed to 1045 Class I. Contact Baldor for lead time and freight charges back to plant of manufacturing

Grounding Screw

M30A Add Grounding Screw On Endplate TWO DAYS

Requirement for UL 1081, swimming pool pump motors only (includes slinger.)
List Price: \$135

Motor Accessories

PT Components

Grinders

Baldor Mod Express

ABB Mod Express

ABB ATEX Mod Express

Product Index

Modification Number	Motor Mod Express® Description and List Price	Working Days Required
---------------------	--	-----------------------

Tach and Encoder Mounting Kits

M31A Add Tach Mounting Kits Only THREE DAYS

Tach mounting kits are listed on pages 255-257. These kits are complete and will allow mounting of a BTG1000 or XPY tach generator (tach generator not included).

Baldor Motor Type	List Price Per Motor
3300P	417
3400D/P	515
3500D/P	536
3600D/P	619
180 - 500 Frame DC	1333

NOTE: Price includes tach kit.

M31B Tach Kit with BTG1000 Tach FOUR DAYS
Order tach kit per M31A and order tach separately.

M31C Tach Kit with XPY Tach FOUR DAYS
Order tach kit per M31A and order tach separately.

M31D Add Encoder Kit to Inverter Duty Motor TWO DAYS
Order encoders separately. Encoders are listed on page 208.

NEMA Frame	List Price Per Motor
56 - 215T	191
254T - 404T	397
444T - 449T	619
5008 - 5810	2489

NOTE: 449T-up contact Baldor for lead time and freight charges back to plant of manufacturing.

M31E Additional Mounted Encoder Options for IDRPM Motors TWO DAYS

List price includes encoder and mounting to motor.

Motor Enclosure	Type	Frame Size	Mfg.	Mag or Optical	Conn Type	Input Voltage VDC	List Price
All	H20	FL180 - L400	Dynapar	O	MS-ST	5-15	2044
All except TEFC	RL67	FL180 - L400	Dynapar	M	Latch	5-15	2520
All except TEFC	SL85	F280 - L400	Dynapar	M	Latch	5-15	2653

**Modification
Number**

**Motor Mod Express®
Description and List Price**

**Working Days
Required**

Testing

Contact your Baldor District Office for original factory test reports.

**M32A CSA C390 Method 1 Equivalent to IEEE 112
Method B Performance Testing**

SEVEN *
DAYS

Three phase stock motors will be tested under lab conditions according to CSA C390 (equivalent to IEEE 112b). Complete test data will be supplied. Bearings are replaced after testing.

NEMA Frame	List Price Per Motor
42 - 215	2400
254 - 320	3901
360 - 449	4694
5008 - 5810	5000

NOTE: 449T Frame 2300 Volt and up and 5008-5810, contact Baldor for lead time and freight charges back to plant of manufacturing.

**M32B Witnessed CSA C390 Method 1 Equivalent to
IEEE 112 Method B Performance Testing**

SEVEN *
DAYS

Test schedule must be coordinated with Baldor corporate office. Bearings are replaced after testing.

NEMA Frame	List Price Per Motor
42 - 215	7709
254 - 320	8613
360 - 449	8837
5008 - 5810	9000

NOTE: 449T Frame 2300 Volt and up and 5008-5810, contact Baldor for lead time and freight charges back to plant of manufacturing.

Testing

M33A Short Motor Test

SEVEN *
DAYS

Three phase or single phase motors will have any or all of the following motor characteristics measured. Test data will be supplied. All data will be taken on cold motor.

- No Load Current
- Full Load Current
- Breakdown Torque
- Locked Rotor (Starting) Current
- Locked Rotor Torque
- Hi-Potential Test

NEMA Frame	List Price Per Motor
42 - 215T	400
254 - 449T	731

NOTE: Not available for 449T Frame 2300 Volt and up.

NOTE: * Lead time is dependent on Test Lab availability. Contact your Baldor District Office.

Modification Number	Motor Mod Express® Description and List Price	Working Days Required
---------------------	--	-----------------------

Testing continued...

M33B	Routine Motor Test	SEVEN * DAYS
-------------	---------------------------	-----------------

This is a test reported per IEEE Std. 112 - 2004 Annex B. All data will be taken on a cold motor. Bearings are replaced after testing. Test includes:

- No Load Current
- Locked Rotor Current
- High-Potential
- Winding resistance

NEMA Frame	List Price Per Motor
42 - 215T	270
254 - 449T*	496

NOTE: Standard 449T frame 2300 Volt and up.

M33C	Complete Performance Test	SEVEN * DAYS
-------------	----------------------------------	-----------------

A Complete test uses a dynamometer to verify nameplate description and electrical design characteristics. The motor is allowed to achieve its full load temperature rise before making performance measurements. Testing conducted per IEEE Std 112-2004 Annex C. Test report includes:

- No Load Current
- Full Load Current
- Locked Rotor Current
- High-Potential
- Winding Resistance
- Full Load Heat Run
- Temperature Rise
- Full Load Slip
- Measure breakdown and starting torques
- Measure efficiency at 100%, 75%, 50% & 25% of full load
- Measure power factor at 100%, 75%, 50% & 25% of full load

NEMA Frame	List Price Per Motor
42 - 215T	2400
254 - 320T	3597
360T - 449T*	8787

NOTE: For 449T frame 2300 Volt and up please see M32A.

M33D	Calibration Test	CONTACT * BALDOR DISTRICT OFFICE
-------------	-------------------------	---

This test consists of 0 to 125% rated load test measurement of speed, torque, current, power factor and efficiency at rated voltage. The data is provided as a curve plotted on Baldor•Reliance standard format. Tests may also be performed as a witnessed test.

NEMA Frame	Calibration Test
42 - 215T	2160
254T - 320T	2878
360T - 449T*	7913

NOTE: Not available for 449T frame 2300 Volt and above.

NOTE: * Lead time is dependent on Test Lab availability. Contact your Baldor District Office.

Motor
Accessories

PT Components

Grinders

Baldor
Mod Express

ABB
Mod Express

ABB ATEX
Mod Express

Product
Index

**Modification
Number**

**Motor Mod Express®
Description and List Price**

**Working Days
Required**

Testing continued...

M33E

Sound Measurement Test

SEVEN *
DAYS

Two tests are available to measure the sound produced by the motor at idle and operated from a line power supply.

The basic test is an overall sound measurement (one band). The Noise test that verifies sound levels per procedures defined in IEEE-85 under a No Load Condition showing an octave band analysis is also available. Double these prices for witnessed tests.

Note: Sound tests must be performed in Fort Smith or the Motor R&D Lab in Greenville. Allow for extra shipping time and freight charges from plant.

NEMA Frame	List Price Per Motor
42 - 215T	985
254 - 445T	1472
447 - 449T	3595

NOTE: * Lead time is dependent on Test Lab availability. Contact your Baldor District Office.

Worm Gear Modifications

M34A

Install Bases on Worm Gear Speed Reducers.

TWO
DAYS

List price include bases.

Size	900 Series		
	Horiz. Base List Price	Vertical Low Base List Price	Vertical High Base List Price
913	200	242	244
915	211	244	247
918	211	244	247
921	215	249	252
924	230	268	274
926	244	309	313
932	274	337	344
938	299	379	391

Motor
Accessories

PT Components

Grinders

Baldor
Mod Express

ABB
Mod Express

ABB ATEX
Mod Express

Product
Index

Modification Number	Motor Mod Express® Description and List Price	Working Days Required
---------------------	--	-----------------------

Worm Gear Modifications continued...

M34B **Convert from Single to Double End Output Shaft on Worm Gear Speed Reducers.** TWO DAYS

List price includes shaft.

900 Series		Universal Series	
Size	List Price	Size	List Price
913	221	133	217
915	224	175	224
918	224	200	224
921	224	225	235
924	230	258	244
926	244	300	249
932	249	350	270
938	270	400	296

M34C **Convert Output Shaft from Left Hand to Right Hand or vice versa on 900 or Universal Series Reducers** TWO DAYS
List Price: \$168 (Price does not include reducer)

M34D **Install Motor on 900 F-Series or Universal STF Series Reducers** TWO DAYS
List Price: \$168 (Price does not include motor or reducer)

Terminal Blocks

M35A **Install IEC Terminal Blocks in Conduit Box and Connect Leads** TWO DAYS

IEC Frame, stocked with terminal blocks.
Advise how motors leads are to be connected.

Does Not Apply to Explosion-Proof Motors

NEMA Frame	List Price
34 FRAME - 56-143T	228
35 FRAME - 56-145T	245
182-184	272
213-215	298
254-256	342
284-286	353
324-326	1031
364-365	1031
404-405	1031
444-449	1031

Motor Accessories

PT Components

Grinders

Baldor Mod Express

ABB Mod Express

ABB ATEX Mod Express

Product Index

Modification Number

**Motor Mod Express®
Description and List Price**

Working Days Required

Starters

Add Magnetic or Manual Starter to Grinder or Buffer

Mounted and wired on Baldor industrial grinders and buffers. Starters are in NEMA 1 enclosure and have the push button in cover. Available only as factory installed options. Lead time is dependent on delivery of the starter. **Price of the starter is included.**

M36A Starter – Single Phase

Full voltage control.

TWO DAYS

Some modifications cannot be performed on UL, CSA, or UL/CSA Certified Grinders, Buffers, or Belt Sanders without voiding the Certification. In such instances, the Certification Mark(s) would need to be removed. Please contact your Baldor representative.

Grinder Wheel Size	Buffer Hp	Manual	Magnetic	
		115/230 Volts List Price	115 Volts List Price	230 Volts List Price
6"	1/3	503	825	922
7"	N/A	503	825	922
8"	3/4	503	946	922
10"	1	503	946	922
N/A	1-1/2	503	946	810
12"	2	Standard Equipment	803*	810*

NOTE: Specify voltage when ordering.
*Price includes allowance for omission of standard starter.

M36B Starter – Three Phase

Full voltage control. **Price of the starter is included.**

TWO DAYS

Some modifications cannot be performed on UL, CSA, or UL/CSA Certified Grinders, Buffers, or Belt Sanders without voiding the Certification. In such instances, the Certification Mark(s) would need to be removed. Please contact your Baldor representative.

Grinder Wheel Size	Buffer Hp	Manual	Magnetic	
		208-230/460 Volts List Price	208-230 Volts List Price	460 Volts List Price
7"	N/A	581	922	850
8"	N/A	581	922	850
10"	3/4	581	922	850
12"	1	Standard Equipment	650*	597*
12"	2	Standard Equipment	650*	597*

NOTE: Specify voltage when ordering.
*Price includes allowance for omission of standard starter.

Motor Accessories

PT Components

Grinders

Baldor Mod Express

ABB Mod Express

ABB ATEX Mod Express

Product Index

**Modification
Number**

**Motor Mod Express®
Description and List Price**

**Working Days
Required**

Starters continued...

M36C Magnetic Starter – Three Phase

With Low Voltage Control.

Price of the starter is included.

TWO
DAYS

Grinder Wheel Size	Buffer Hp	Magnetic With 110 Volt Control Circuit Transformer	
		208-230 Volts	460 Volts
		List Price	List Price
7"	N/A	2071	2291
8"	N/A	2071	2291
10"	3/4	2071	2291
12"	1	2032*	2074*
12"	2	2032*	2074*
14"	5	2032*	2074*
14"	7-1/2	2032*	2074*

NOTE: Specify voltage when ordering.

*Price includes allowance for omission of standard starter.

M36D Overload Protection for Dust Control Unit

Price of the starter is included.

TWO
DAYS

NEMA Frame	List Price
All	619

NOTE: Must be used with magnetic control. Contact Baldor for details.

Voltage

**M37A Change a Grinder Dust Control Unit from
230/460 Volts to 575 Volts**

TWO
DAYS

Some modifications cannot be performed on UL, CSA, or UL/CSA Certified Grinders, Buffers, or Belt Sanders without voiding the Certification. In such instances, the Certification Mark(s) would need to be removed.

Please contact your Baldor representative.

NEMA Frame	List Price
All	184

Motor
Accessories

PT Components

Grinders

Baldor
Mod Express

ABB
Mod Express

ABB ATEX
Mod Express

Product
Index

**Modification
Number**

**Motor Mod Express®
Description and List Price**

**Working Days
Required**

Shaft Grounding

A shaft ground may be specified by many HVAC, pump and conveyor manufacturers to mitigate the effects of Adjustable Speed Drive circulating currents and prolong bearing life. Shaft grounding is available as an option on Baldor•Reliance custom motors or can be installed on a stock motor in Baldor's Mod Express. On applications where washdown or debris may be present, mounting the ground internally on the motor (as custom) may be required.

NOTE: A shaft ground is a sparking device not suited for explosion-proof Division 1 or 2 applications, even when mounted internally.

Baldor offers three main types of shaft grounding devices:

- **M39A - Shaft Grounding Systems**
- **M39B - Shaft Grounding Rings**
- **M39C - Shaft Grounding Brush**

M39A Shaft Grounding Systems

The SGS™ (Shaft Grounding Systems) design is a robust, enclosed unit designed for harsh environments. Mounts to the opposite drive end of the motor on TEFC, TENV, TEBC & ODP motors.



THREE
DAYS

NEMA Frame	List Price
56 - 449T	1231
5008 - 5810	1243

NOTE: For 5008 frame & up contact Baldor for lead time and freight charges back to plant of manufacturing. 449T - 5810 frame motors 2300 Volt & up require the addition of Mod M2F (see page 436).

Does Not Apply to Explosion-Proof or Division 2 Motors

M39B-1 AEGIS® Bearing Protection Ring

NEMA Frame	Shaft Diameter	List Price
56	0.625	221
140T, 180	0.875	232
180T, 210	1.125	244
210T, 250U	1.375	258
250T, 280U	1.625	322
280T, 320U, 320TS, 360TS	1.875	343 (1)
320T, 360U, 400TS	2.125	379 (1)
360T, 400U, 440TS	2.375	456 (1)
400T, 440U	2.875	643 (1)
440T	3.375	766 (1)

(1) Motors over 100 Hp / 75 kW require an additional modification to add an insulated bearing on the opposite drive end. Reference Mod M2F on page 436 to add for one insulated bearing on the ODE of the motor.

NOTE: For this modification, the AEGIS Bearing Protection Ring mounts to the drive end of the motor.

**Modification
Number**

**Motor Mod Express®
Description and List Price**

**Working Days
Required**

Shaft Grounding continued...

M39B-2 Inpro/Seal® Current Diverter Ring™

NEMA Frame	Shaft Diameter	List Price
56	0.625	226
140T, 180	0.875	226
180T, 210	1.125	272
210T, 250U	1.375	320
250T, 280U	1.625	383
280T, 320U, 320TS, 360TS	1.875	458 (1)
320T, 360U, 400TS	2.125	515 (1)
360T, 400U, 440TS	2.375	547 (1)
400T, 440U	2.875	653 (1)
440T	3.375	738 (1)

(1) Motors over 100 Hp / 75 kW require an additional modification to add an insulated bearing on the opposite drive end. Reference Mod M2F on page 436 to add for one insulated bearing on the ODE of the motor.

NOTE: For this modification, the Inpro/Seal Current Diverter Ring mounts to the drive end of the motor.

M39B-3 Inpro/Seal® Motor Grounding Seal™

The Inpro/Seal Motor Grounding Seal *includes* their labyrinth seal.

NEMA Frame	Shaft Diameter	List Price
56	0.625	1184
140T, 180	0.875	1184
180T, 210	1.125	1213
210T, 250U	1.375	1242
250T, 280U	1.625	1541
280T, 320U, 320TS, 360TS	1.875	1686 (1)
320T, 360U, 400TS	2.125	1767 (1)
360T, 400U, 440TS	2.375	2083 (1)
400T, 440U	2.875	2225 (1)
440T	3.375	2711 (1)

(1) Motors over 100 Hp / 75 kW require an additional modification to add an insulated bearing on the opposite drive end. Reference Mod M2F on page 436 to add for one insulated bearing on the ODE of the motor.

NOTE: For this modification, the Inpro/Seal Motor Grounding Seal (MGS) will be installed on the drive end of the motor (unless otherwise specified), and replaces any existing seal currently installed on the motor. Use of a MGS on both ends of the motor is not recommended as it may introduce the potential for circulating currents.

M39C Baldor Shaft Grounding Brush Assembly

Add external shaft grounding brush to motor endplate.

Brush contacts motor shaft diameter.

NEMA Frame	List Price Per Motor
48, 56	221
140	232
180	244
210	258
250	272
280	291 (1)
320	318 (1)
360	350 (1)
400	386 (1)
440	431 (1)



TWO
DAYS

Does Not Apply to Explosion-Proof Motors

(1) Motors over 100 Hp / 75 kW require an additional modification to add an insulated bearing on the opposite drive end. Reference Mod M2F on page 436 to add for one insulated bearing on the ODE of the motor.

Motor
Accessories

PT Components

Grinders

Baldor
Mod Express

ABB
Mod Express

ABB ATEX
Mod Express

Product
Index

**Modification
Number**

**Motor Mod Express®
Description and List Price**

**Working Days
Required**

Check Total Indicated Runout (TIR)

M40A

Check Total Indicated Runout (TIR)

Check C-face and shaft run out. If applicable check foot flatness.

List Price: \$123

Vibration Detectors

M41A

Provisions for Vibration Detection

This will include a vibration block configured to accept the specified vibration detector. Please specify detection plane and mounting dimensions prior to order.

NEMA Frame	List Price
5008 - 5810	2930

NOTE: Contact Baldor for lead time and freight charges back to plant of manufacturing.

M41B

Add Vibration Switch

NEMA Frame	List Price
5008 - 5810	12035

NOTE: Contact Baldor for lead time and freight charges back to plant of manufacturing. Requires M41A. Leads will be loose for auxiliary box. See M4E.

M41C

Add Velocity Transducer

NEMA Frame	List Price
5008 - 5810	8533

NOTE: Contact Baldor for lead time and freight charges back to plant of manufacturing. Requires M41A. Leads will be loose for auxiliary box. See M4E.

M41D

Add Accelometer

NEMA Frame	List Price
5008 - 5810	8264

NOTE: Contact Baldor for lead time and freight charges back to plant of manufacturing. Requires M41A. Leads will be loose for auxiliary box. See M4E.

Cast Iron Endplate

M42A

Install Cast Iron Endplate

NEMA Frame	Cast Iron Endplate Price
48 & 56	151
143 - 145T	159
182 - 184T	168
213 - 215T	185

Motor
Accessories

PT Components

Grinders

Baldor
Mod Express

ABB
Mod Express

ABB ATEX
Mod Express

Product
Index

**Modification
Number**

Motor Mod Express®

**Page
No.**

VC002	Replace/Add Customer Motor Nameplate	473
VC005	Add Drip Cover	473
VC008	Add IEC B14 C-Face	473
VC009	Add IEC B5 D-Flange	474
VC066	Convert Motor for other than Horizontal Mounting	474
VC096	Fulfilling Marine Duty LR, without Certificate	474
VC122	Bimetal Detectors 150° C	475
VC135	Additional Stainless Motor Nameplate	475
VC148	Routine Test Report	475
VC161	Additional Loose Motor Nameplate	476
VC163	Add Adjustable Speed Motor Nameplate	476
VC186	Fulfilling Marine Duty DNV, without Certificate	476
VC450	Add 100-120V Space Heater	476
VC451	Add 200-240V Space Heater	477
VC675	Fulfilling Marine Duty ABS, without certificate	477
VCM13E	NEW! Remove Mounting Feet	477

Motor Mod Express®

Ordering Information

Note: Motors made for sale in the U.S. by ABB must comply with the Energy Independence and Security Act of 2007 (EISA) including those modified from stock. After any modification, the motor must comply with the Energy Independence and Security Act of 2007 (EISA) or the applicable regulations such as Natural Resources Canada if used in that country.

For example, it is not permissible to take a footless MVM16114D-AP and add a base to it. Such a base-mounted motor needs to comply with NEMA MG 1, table 12-12 for a premium motor which means an IE3 motor should have been used instead. Note that 50 Hz efficiency levels may not be the same level when operated at 60 Hz. Changing the voltage may also change the IE class.

To order, specify the catalog number of the stock product and the MOD variant code number. Use the motor discount for the motor. All modifications should be priced using the modification list price, applying the appropriate multiplier symbol for the motor. **Lead times indicated are subject to availability of stock motors in the Fort Smith Warehouse.** Customer will absorb all freight costs when motor is shipped to Fort Smith for modification from field warehouses.

NOTE:

NEW modifications are indicated with RED Titles.

Some modifications do not apply to explosion-proof or hazardous duty motors. Modifications for process performance aluminum and cast iron, M3AA/M3BP.

Contact Baldor for Approval

MOD Express Cancellation Policy

Should it be necessary to cancel an order for a motor after it is modified, but before it ships – a cancellation charge of double the modification charge will be invoiced to the customer. Any MOD order cancelled before modification is completed is subject to 25% cancellation charge.

Once shipped, modified motors returned at purchaser's expense will be invoiced at double the MOD fee plus 10% restock fee.

Note

All lead times indicated are subject to availability of stock motors and parts in the Fort Smith warehouse. Please check stock availability before quoting lead time.

Some conversions may not be allowed if they result in a change of operating parameters that affect efficiency or change the EISA or NRCAN classification of compliant motors.

Modification prices do not include the cost of the motor, speed reducer, etc.

Modification Number

Motor Mod Express® Description and List Price

Working Days Required

VC002 **Replace/Add Customer Motor Nameplate** TWO DAYS

Restamp voltage, frequency and output, continuous duty.
 Rating data according to quotation and engineering approval.
 Rerate must be compliant with pertinent MEPS requirements.
 You will be required to provide end destination country.
 MotSize data sheet is required.
 List Per Motor: \$147

VC005 **Add drip cover** TWO DAYS

Add metal drip cover to motor for vertical mounting.
 Requires VC066.
 Not for ATEX or hazardous duty motors.

IEC Frame Size	Aluminum List Price	Cast Iron List Price
63	N/A	N/A
71 - 80	164	133
90 - 100	119	133
112 - 132	119	133
160	217	243
180	249	279
200	264	295
225	355	397
250	442	495
280	N/A	563

VC008 **Add IEC B14 C-Face** TWO DAYS

Add IEC B14 C-face to B3 base mounted motor
 (Convert to B34).
 Not for ATEX or hazardous duty motors.

IEC Frame Size	Aluminum List Price	Cast Iron List Price
63	198	N/A
71 - 80	187	120
90 - 100	144	173
112 - 132	162	173
160	498	N/A
180	N/A	N/A
200	N/A	N/A
225	N/A	N/A
250	N/A	N/A
280	N/A	N/A

Motor
Accessories

PT Components

Grinders

Baldor
Mod Express

ABB
Mod Express

ABB ATEX
Mod Express

Product
Index

Modification Number

Motor Mod Express® Description and List Price

Working Days Required

VC009

Add IEC B5 D-Flange

TWO DAYS

Add IEC B5 D-flange to B3 base mounted motor (Convert to B35).
Not for ATEX or hazardous duty motors.

IEC Frame Size	Aluminum List Price	Cast Iron List Price
63	198	N/A
71 – 80	152	120
90 – 100	144	120
112 – 132	162	173
160	311	453
180	434	485
200	589	659
225	653	731
250	715	800
280	N/A	651

VC066

Convert motor for other than horizontal mounting

TWO DAYS

Adjust placement of weep holes if motor is used as other than horizontally mounted in normal plane
Not for ATEX or hazardous duty motors.

IEC Frame Size	Aluminum List Price	Cast Iron List Price
63 - 250	60	60

VC096

Fulfilling Marine Duty LR, without certificate (non-essential service only)

TWO DAYS

IEC Frame Size	Aluminum List Price	Cast Iron List Price
63	76	N/A
71 – 80	76	80 *
90 - 100	72	80 *
112 – 132	72	80 *
160 - 180	155	157
200 - 250	217	226
280	N/A	534

* Pricing for IE2 motor only; Variant is not available for IE3 motors.

Modification Number

**Motor Mod Express®
Description and List Price**

Working Days Required

VC122

Bimetal Detectors 150° C

FIVE DAYS

Install normally-closed winding thermostats (3 in series)

IEC Frame Size	Aluminum List Price	Cast Iron List Price
63	N/A	N/A
71 - 80	186	N/A
90 - 100	212	N/A
112 - 132	222	N/A
160 - 180	N/A	N/A
200 - 250	N/A	N/A
280	N/A	N/A

VC135

Additional Stainless Motor Nameplate

TWO DAYS

Add customer part number, PO, job number, etc.

Not to be used for electrical ratings.

List Per Motor: \$147

VC148

Routine Test Report

SEVEN DAYS

Supply copies of test report for specific motor on order. Three phase motors will have the following motor characteristics measured. Test data will be supplied. All data will be taken on cold motor.

1. Visual inspection.
2. Terminal markings and direction of rotation.
3. Resistance measurement at ambient temperature.
4. No load test (speed and current).
5. Locked rotor test (torque and current).
6. Withstand voltage test (hipot).
7. Insulation resistance measurement (meg ohm).

IEC Frame Size	Aluminum List Price	Cast Iron List Price
63	203	N/A
71 - 80	203	267
90 - 100	217	267
112 - 132	264	294
160 - 180	289	384
200 - 250	372	417
280	N/A	425

Modification Number	Motor Mod Express® Description and List Price	Working Days Required
---------------------	--	-----------------------

VC161 Additional Loose Motor Nameplate TWO DAYS
 Add customer part number, PO, job number, etc.
 Not to be used for electrical ratings.
 List Per Motor: \$147

VC163 Add Adjustable Speed Motor Nameplate TWO DAYS
 Add adjustable speed nameplate.
 Rating data according to quotation and engineering approval.
 Rating must be compliant with with pertinent MEPS requirements.
 You will be required to provide end destination country.
 DriveSize data sheet is required.
 List Per Motor: \$147

VC186 Fulfilling Marine Duty DNV, without certificate (non-essential service only) TWO DAYS

IEC Frame Size	Aluminum List Price	Cast Iron List Price
63	76	N/A
71 – 80	76	80 *
90 - 100	76	80 *
112 – 132	76	80 *
160 - 180	141	157
200 - 250	202	226

* Pricing for IE2 motor only; Variant is not available for IE3 motors.

VC450 Add 100-120V Space Heater FIVE DAYS
 Standard space heater is 120V.
 Not for ATEX or hazardous duty motors.

IEC Frame Size	Aluminum List Price	Cast Iron List Price
63	362	N/A
71 – 80	362	294
90 – 100	350	294
112 – 132	357	334
160	481	538
180	530	594
200	592	663
225	677	758
250	815	912
280	N/A	N/A

Modification Number

Motor Mod Express® Description and List Price

Working Days Required

VC451 Add 200-240V Space Heater

FIVE DAYS

Standard space heater is 240V.

Not for ATEX or hazardous duty motors.

IEC Frame Size	Aluminum List Price	Cast Iron List Price
63	362	N/A
71 – 80	362	294
90 – 100	350	294
112 – 132	357	334
160	481	538
180	530	594
200	592	663
225	677	758
250	815	912
280	N/A	N/A

VC675 Fulfilling Marine Duty ABS, without certificate (non-essential service only)

TWO DAYS

IEC Frame Size	Aluminum List Price	Cast Iron List Price
80-132	76*	80*
160-180	155	132
200-225	217	226
280	N/A	534

* Pricing for IE2 motor only; Variant is not available for IE3 motors.

VCM13E Remove mounting feet from aluminum motors only (To be used with VC008 or VC009.)

TWO DAYS

IEC Frame Size	Aluminum List Price	Cast Iron List Price
63-132	N/A	N/A
160-180	150	N/A
200-250	200	N/A

Modification Number

Motor Mod Express®

Page No.

Motor Accessories	VC002X	Replace/Add Customer Motor Nameplate	480
	VC005X	Add Drip Cover	480
	VC008X	Add IEC B14 C-Face	480
PT Components	VC009X	Add IEC B5 D-Flange	481
	VC066X	Convert Motor for Other than Horizontal Mounting	481
Grinders	VC096X	NEW! Fulfilling Marine Duty LR, without Certificate	481
	VC135X	Additional Stainless Motor Nameplate	481
Baldr Mod Express	VC148X	Routine Test Report	482
	VC161X	Additional Loose Motor Nameplate	482
	VC163X	Add Adjustable Speed Motor Nameplate	482
Mod Express	VC186X	NEW! Fulfilling Marine Duty DNV, without Certificate	482
ABB Mod Express	VC450X	NEW! Add 100-120V Space Heater	483
	VC451X	Add 200-240V Space Heater	483
	VC675X	NEW! Fulfilling Marine Duty ABS, without Certificate	483
ABB ATEX Mod Express	VC813X	NEW! Thermistor based surface temperature protection T4 for Frequency Converter Duty	484
	VCM13E	NEW! Remove Mounting Feet	484
Product Index			

Motor Mod Express®

Ordering Information

To order, specify the catalog number of the stock product and the MOD variant code number. Use the motor discount for the motor. All modifications should be priced using the modification list price, applying the appropriate multiplier symbol for the motor. Lead times indicated are subject to availability of stock motors in the Fort Smith Warehouse. Customer will absorb all freight costs when motor is shipped to Fort Smith for modification from field warehouses.

Please consider the MEPS and hazardous certificate requirements for the end destination country.

NEW modifications are indicated with RED Titles.

MOD Express Cancellation Policy

Should it be necessary to cancel an order for a motor after it is modified, but before it ships – a cancellation charge of double the modification charge will be invoiced to the customer. Any MOD order cancelled before modification is completed is subject to 25% cancellation charge.

Once shipped, modified motors returned at purchaser's expense will be invoiced at double the MOD fee plus 10% restock fee.

Note

All lead times indicated are subject to availability of stock motors and parts in the Fort Smith warehouse. Please check stock availability before quoting lead time.

Modification prices do not include the cost of the motor, speed reducer, etc.

Modification Number

Motor Mod Express® Description and List Price

Working Days Required

VC002X Replace/Add Customer Motor Nameplate

TWO DAYS

Restamp voltage, frequency and output, continuous duty.
Rating data according to quotation and engineering approval.
Rerate must be compliant with pertinent MEPS requirements.
You will be required to provide end destination country.
MotSize data sheet is required.
List Per Motor: \$147

VC005X Add Drip Cover

TWO DAYS

Add metal drip cover to motor for vertical mounting.
Requires VC066.

IEC Frame Size	Ex nA List Price	Ex d & Ex de List Price
80	134	134
90 – 132	147	147
160	205	205
180	236	236
200	249	249
225	335	335
250	418	418
280	512	N/A

VC008X Add IEC B14 C-Face

TWO DAYS

Add IEC B14 C-face to B3 base mounted motor
(Convert to B34).

IEC Frame Size	Ex nA List Price	Ex d & Ex de List Price
80	198	208
90 – 100	260	273
112 – 132	305	320
160	N/A	N/A
180	N/A	N/A
200	N/A	N/A
225	N/A	N/A
250	N/A	N/A
280	N/A	N/A

Modification Number

Motor Mod Express® Description and List Price

Working Days Required

VC009X Add IEC B5 D-Flange

Add IEC B5 D-flange to B3 base mounted motor (Convert to B35).

TWO DAYS

IEC Frame Size	Ex nA List Price	Ex d & Ex de List Price
80	186	195
90 – 132	194	204
160	334	402
180	366	402
200	497	540
225	551	580
250	603	633
280	655	N/A

VC066X Convert Motor for Other than Horizontal Mounting

Adjust placement of weep holes if motor is used as other than horizontally mounted in normal plane

TWO DAYS

IEC Frame Size	M3GP, Ex nA Only Cast Iron List Price
63-250	60

VC096X Fulfilling Marine Duty LR, without Certificate (non-essential service only)

TWO DAYS

IEC Frame Size	Ex nA, Ex d & Ex de List Price
80-132	77
160-180	116
200-225	167

VC135X Additional Stainless Motor Nameplate

Add customer part number, PO, job number, etc.
Not to be used for electrical ratings.
List Per Motor: \$147

TWO DAYS

Modification Number

Motor Mod Express® Description and List Price

Working Days Required

VC148X Routine test report

SEVEN DAYS

Supply copies of test report for specific motor on order.
Three phase motors will have the following motor characteristics measured.
Test data will be supplied. All data will be taken on cold motor.

1. Visual inspection.
2. Terminal markings and direction of rotation.
3. Resistance measurement at ambient temperature.
4. No load test (speed and current).
5. Locked rotor test (torque and current).
6. Withstand voltage test (hipot).
7. Insulation resistance measurement (meg ohm).

IEC Frame Size	Ex nA List Price	Ex d & Ex de List Price
80-100	267	267
112 – 132	294	294
160 – 180	324	324
200 - 250	352	352
280	425	N/A

VC161X Additional Loose Motor Nameplate

TWO DAYS

Add customer part number, PO, job number, etc.
Not to be used for electrical ratings.
List Per Motor: \$147

VC163X Add Adjustable Speed Motor Nameplate

TWO DAYS

Add adjustable speed nameplate.
Rating data according to quotation and engineering approval.
Rerate must be compliant with pertinent MEPS requirements.
You will be required to provide end destination country.
DriveSize data sheet is required.
Motors can only be used with ABB ACS550 or ACS800 using DTC.
List Per Motor: \$147

VC186X Fulfilling Marine Duty DNV, without Certificate (non-essential service only)

TWO DAYS

IEC Frame Size	Ex nA, Ex d & Ex de List Price
80-132	77
160-180	116
200-225	167
280	484

**Modification
Number**

**Motor Mod Express®
Description and List Price**

**Working Days
Required**

VC450X Add 100-120V Space Heater

FIVE DAYS

IEC Frame Size	Ex nA List Price	Ex d & Ex de List Price
80-90	283	283
100	283	283
112 – 132	322	322
160	397	397
180	438	438
200	489	489
225	559	559
250	673	673
280	697	N/A

VC451X Add 200-240V Space Heater

FIVE DAYS

Standard space heater is 240V.

IEC Frame Size	Ex nA List Price	Ex d & Ex de List Price
80-90	283	283
100	283	283
112 – 132	322	322
160	397	397
180	438	438
200	489	489
225	559	559
250	673	673
280	697	N/A

**VC675X Fulfilling Marine Duty ABS, without Certificate
(non-essential service only)**

TWO DAYS

Please note for M3KP/ M3JP, Exd/Exde motors only.

Not available for M3GP/ExnA.

IEC Frame Size	Ex d & Ex de List Price
80-132	77
160-180	116
200-225	167
280	484

**Modification
Number**

**Motor Mod Express®
Description and List Price**

**Working Days
Required**

**VC813X Thermistor Based Surface Temperature Protection
T4 for Frequency Converter Duty.
(Ex d and Ex de only must be combined with VC163)
Not available for M3GP/ExnA.**

TWO DAYS

IEC Frame Size	Ex d & Ex de List Price
80-100	201
112-132	237
160-180	283
200-250	295
280	N/A

**VCM13X Remove mounting feet.
To be used with VC008X or VC009X.**

TWO DAYS

IEC Frame Size	List Price
63-132	100

Catalog Number	Page Number	List Price	Mult Sym.	Ship Weight ⁽¹⁾	Type Code
111	426	374	G1	25	332C
114	426	374	G1	24	332C
340	430	459	G1	31	3424S
342	430	459	G1	31	3424S
500	425	1470	G1	109	3524C
510	425	1470	G1	109	3524M
522	425	1653	G1	108	3524C
532	425	1653	G1	109	3524M
612	422	335	G1	30	332S
662	422	335	G1	29	332S
712	422	496	G1	45	342C
762	422	496	G1	43	342C
1008	348	12	TBL23	1	
1108	348	12	TBL23	1	
1210	348	13	TBL23	1	
1215	348	14	TBL23	1	
1250	426	2260	G1	164	3634L
1251	426	2195	G1	160	3634L
1252	426	2075	G1	156	3628M
1253	426	2016	G1	156	3628M
1310	348	14	TBL23	1	
1453	426	2725	G1	223	3735M
1454	426	2880	G1	229	3744M
1457	426	3029	G1	228	3744M
1458	426	2579	G1	218	3735M
1610	348	15	TBL23	1	
1615	348	15	TBL23	1	
2012	348	20	TBL23	1	
2517	348	25	TBL23	3	
2525	348	36	TBL23	4	
3020	348	37	TBL23	5	
3030	348	54	TBL23	7	
3535	348	76	TBL23	10	
4040	348	122	TBL23	15	
4545	348	152	TBL23	21	
5050	348	246	TBL23	29	
7306	422	639	G1	70	342C
7307	422	639	G1	70	342C
7308	422	639	G1	71	342M
7309	422	639	G1	72	342M
7351	422	639	G1	67	342C
8325	358	34	VPS12	2	
8350	358	42	VPS12	2	
8400	358	43	VPS12	3	
8450	358	44	VPS12	2	
8550	358	68	VPS12	5	
8600	358	105	VPS12	5	
8670	358	107	VPS12	6	
8740	358	153	VPS12	7	
09-1309	329	394	A8	22	
09-1309GLD	329	394	A8	22	
09-1310	329	596	A8	22	
09-1310GLD	329	596	A8	22	
09CB5001A01SP	332	82	P1	3	
09CB5001A15SP	332	65	P1	3	
1-3V10.60	383	100	QDS08	9	
1-3V14.00	383	120	QDS08	16	
1-3V19.00	383	200	QDS08	24	
1-3V2.20	383	20	QDS08	1	
1-3V2.35	383	21	QDS08	1	

Catalog Number	Page Number	List Price	Mult Sym.	Ship Weight ⁽¹⁾	Type Code
1-3V2.50	383	22	QDS08	1	
1-3V2.65	383	22	QDS08	1	
1-3V2.80	383	23	QDS08	1	
1-3V3.00	383	24	QDS08	1	
1-3V3.15	383	25	QDS08	1	
1-3V3.35	383	26	QDS08	1	
1-3V3.65	383	28	QDS08	1	
1-3V4.12	383	29	QDS08	2	
1-3V4.50	383	30	QDS08	2	
1-3V4.75	383	32	QDS08	3	
1-3V5.00	383	34	QDS08	3	
1-3V5.30	383	36	QDS08	3	
1-3V5.60	383	38	QDS08	4	
1-3V6.00	383	40	QDS08	4	
1-3V6.50	383	44	QDS08	5	
1-3V6.90	383	52	QDS08	6	
1-3V8.00	383	60	QDS08	6	
10-1304	330	439	A8	32	
10-1304GLD	330	439	A8	32	
10-1305	330	457	A8	32	
10-1305ECP8	330	894	A8	32	
10-1305GLD	330	457	A8	32	
10-3V10.60	387	250	QDS09	36	
10-3V14.00	387	320	QDS09	50	
10-3V19.00	387	472	QDS09	74	
10-3V25.00	387	596	QDS09	105	
10-3V33.50	387	1100	QDS09	180	
10-3V4.75	387	126	QDS09	9	
10-3V5.00	387	128	QDS09	11	
10-3V5.30	387	130	QDS09	10	
10-3V5.60	387	132	QDS09	12	
10-3V6.00	387	134	QDS09	14	
10-3V6.50	387	144	QDS09	16	
10-3V6.90	387	146	QDS09	18	
10-3V8.00	387	194	QDS09	22	
10-5V10.30	393	372	QDS10	61	
10-5V10.90	393	384	QDS10	68	
10-5V11.30	393	440	QDS10	73	
10-5V11.80	393	480	QDS10	76	
10-5V12.50	393	500	QDS10	89	
10-5V13.20	393	580	QDS10	99	
10-5V14.00	393	640	QDS10	110	
10-5V15.00	393	720	QDS10	125	
10-5V16.00	393	780	QDS10	100	
10-5V18.70	393	860	QDS10	124	
10-5V21.20	393	960	QDS10	145	
10-5V23.60	393	1040	QDS10	245	
10-5V28.00	393	1280	QDS10	252	
10-5V31.50	393	1560	QDS10	288	
10-5V37.50	393	1840	QDS10	372	
10-5V50.00	393	2580	QDS10	596	
10-5V8.00	393	252	QDS10	31	
10-5V8.50	393	272	QDS10	38	
10-5V9.00	393	300	QDS10	46	
10-5V9.25	393	304	QDS10	48	
10-5V9.75	393	360	QDS10	54	
10-8V12.50	396	948	QDS10	135	
10-8V13.20	396	1114	QDS10	148	
10-8V14.00	396	1278	QDS10	165	
10-8V15.00	396	1442	QDS10	215	

⁽¹⁾ Shipping weight is approximate.

Motor Accessories
PT Components
Grinders
Baldor Mod Express
ABB Mod Express
ABB ATEX Mod Express

Product Index

Motor
Accessories

PT
Components

Grinders

Baldor
Mod Express

ABB
Mod Express

ABB ATEX
Mod Express

Product
Index

Catalog Number	Page Number	List Price	Mult Sym.	Ship Weight ⁽¹⁾	Type Code
10-8V16.00	396	1608	QDS10	235	
10-8V17.00	396	1648	QDS10	282	
10-8V18.00	396	1720	QDS10	296	
10-8V19.00	396	1760	QDS10	300	
10-8V20.00	396	1860	QDS10	368	
10-8V21.20	396	2040	QDS10	318	
10-8V22.40	396	2246	QDS10	368	
10-8V24.80	396	2290	QDS10	402	
10-8V30.00	396	2350	QDS10	505	
10-8V35.50	396	2790	QDS10	675	
10-8V35.5WOF0	396	4200	QDS10	904	
10-8V40.00	396	3350	QDS10	745	
10-8V40.0WOF0	396	5050	QDS10	988	
10-8V44.50	396	4190	QDS10	888	
10-8V44.5WOF0	396	6250	QDS10	1105	
10-8V53.00	396	5000	QDS10	1188	
10-8V58.00	396	7000	QDS10	1445	
10-8V63.00	396	9000	QDS10	1578	
10-8V71.00	396	11500	QDS10	1907	
1021W	423	1295	G1	134	3528M
1021WD	423	1483	G1	146	3528M
1022W	423	1314	G1	133	3528C
1022WD	423	1504	G1	145	3528C
105W	423	1295	G1	133	3528M
10B	416	84	CPL31	8	
10B110	373	520	QDS07	52	
10B124	373	532	QDS07	72	
10B136	373	636	QDS07	76	
10B154	373	680	QDS07	87	
10B160	373	760	QDS07	100	
10B184	373	800	QDS07	110	
10B200	373	860	QDS07	118	
10B250	373	1160	QDS07	183	
10B300	373	1380	QDS07	234	
10B380	373	1780	QDS07	321	
10B54	373	280	QDS07	16	
10B56	373	288	QDS07	20	
10B58	373	296	QDS07	18	
10B60	373	304	QDS07	19	
10B62	373	312	QDS07	20	
10B64	373	320	QDS07	23	
10B66	373	332	QDS07	21	
10B68	373	344	QDS07	25	
10B70	373	352	QDS07	26	
10B74	373	360	QDS07	30	
10B86	373	372	QDS07	40	
10B94	373	420	QDS07	40	
10C100	378	520	QDS07	77	
10C105	378	580	QDS07	86	
10C110	378	600	QDS07	94	
10C120	378	760	QDS07	112	
10C130	378	840	QDS07	123	
10C140	378	900	QDS07	144	
10C160	378	960	QDS07	143	
10C180	378	1080	QDS07	151	
10C200	378	1120	QDS07	175	
10C240	378	1360	QDS07	225	
10C300	378	1760	QDS07	365	
10C360	378	2560	QDS07	446	
10C440	378	2800	QDS07	545	

Catalog Number	Page Number	List Price	Mult Sym.	Ship Weight ⁽¹⁾	Type Code
10C500	378	3500	QDS07	660	
10C80	378	460	QDS07	46	
10C85	378	480	QDS07	52	
10C90	378	500	QDS07	54	
10C95	378	510	QDS07	67	
10CB5001A01SP	332	109	P1	6	
10CB5002A01SP	332	132	P1	4	
10D120	381	1520	QDS07	166	
10D130	381	1580	QDS07	207	
10D135	381	1660	QDS07	224	
10D140	381	1740	QDS07	242	
10D145	381	1840	QDS07	260	
10D150	381	1860	QDS07	279	
10D155	381	1880	QDS07	298	
10D160	381	1900	QDS07	318	
10D170	381	2080	QDS07	307	
10D180	381	2120	QDS07	293	
10D200	381	2380	QDS07	351	
10D220	381	2480	QDS07	390	
10D270	381	2980	QDS07	497	
10D330	381	3280	QDS07	672	
10D400	381	4300	QDS07	857	
10D480	381	5080	QDS07	1150	
10D580	381	5880	QDS07	1570	
10E	419	90	CPL31	3	
10EP1502A01SP	333	581	A8	39	
10H	419	224	CPL31	3	
10HS	419	230	CPL31	3	
10JE	419	56	CPL31	2	
10JES	419	60	CPL31	2	
10S	415	80	CPL31	11	
10SC-H	418	116	CPL31	7	
10SC-HS	418	108	CPL31	6	
10SC100-13	418	192	CPL31	23	
10SC48	418	104	CPL31	10	
10SC50	418	112	CPL31	10	
10SC70-13	418	156	CPL31	15	
10SC78-13	418	164	CPL31	16	
11B	416	120	CPL31	9	
11E	419	164	CPL31	5	
11H	419	330	CPL31	5	
11HS	419	354	CPL31	4	
11S	415	128	CPL31	17	
11SC-H	418	160	CPL31	12	
11SC-HS	418	152	CPL31	9	
11SC100-14	418	260	CPL31	25	
11SC48	418	172	CPL31	13	
11SC50	418	180	CPL31	13	
11SC70-14	418	200	CPL31	16	
11SC78-14	418	204	CPL31	18	
12-1105	330	563	A8	48	
12-1105ECP8	330	1124	A8	48	
12-1105GLD	330	563	A8	48	
12-8V12.50	396	2080	QDS10	158	
12-8V13.20	396	2120	QDS10	183	
12-8V14.00	396	2160	QDS10	210	
12-8V15.00	396	2200	QDS10	242	
12-8V16.00	396	2240	QDS10	300	
12-8V17.00	396	2280	QDS10	321	
12-8V18.00	396	2320	QDS10	337	

⁽¹⁾ Shipping weight is approximate.

Catalog Number	Page Number	List Price	Mult Sym.	Ship Weight ⁽¹⁾	Type Code
12-8V19.00	396	2400	QDS10	380	
12-8V20.00	396	2480	QDS10	378	
12-8V21.20	396	2560	QDS10	414	
12-8V22.40	396	2640	QDS10	431	
12-8V24.80	396	3000	QDS10	500	
12-8V30.00	396	3380	QDS10	616	
12-8V35.50	396	3660	QDS10	775	
12-8V35.5WOF0	396	4900	QDS10	962	
12-8V40.00	396	5000	QDS10	890	
12-8V40.0WOF0	396	6300	QDS10	1052	
12-8V44.50	396	6500	QDS10	1058	
12-8V44.5WOF0	396	8100	QDS10	1125	
12-8V53.00	396	8000	QDS10	1485	
12-8V58.00	396	9000	QDS10	1590	
12-8V63.00	396	10000	QDS10	1722	
12-8V71.00	396	13000	QDS10	2200	
1215W	424	2954	G1	253	3628M
1216W	424	3059	G1	248	3628M
1217W	424	3128	G1	253	3634L
129W	424	3059	G1	256	3628M
12B	416	146	CPL31	9	
12C100	378	740	QDS07	87	
12C105	378	760	QDS07	95	
12C110	378	780	QDS07	105	
12C120	378	800	QDS07	119	
12C130	378	920	QDS07	146	
12C140	378	1180	QDS07	168	
12C160	378	1360	QDS07	151	
12C180	378	1400	QDS07	176	
12C200	378	1480	QDS07	243	
12C240	378	1520	QDS07	305	
12C300	378	1780	QDS07	397	
12C360	378	2640	QDS07	502	
12C440	378	3200	QDS07	635	
12C500	378	3900	QDS07	807	
12C90	378	700	QDS07	62	
12C95	378	720	QDS07	77	
12D120	382	1720	QDS07	187	
12D130	382	1800	QDS07	234	
12D135	382	1860	QDS07	252	
12D140	382	1880	QDS07	271	
12D145	382	2000	QDS07	290	
12D150	382	2120	QDS07	310	
12D155	382	2180	QDS07	330	
12D160	382	2200	QDS07	352	
12D170	382	2320	QDS07	365	
12D180	382	2420	QDS07	391	
12D200	382	2760	QDS07	401	
12D220	382	2980	QDS07	365	
12D270	382	3640	QDS07	505	
12D330	382	4380	QDS07	740	
12D400	382	5040	QDS07	1010	
12D480	382	6180	QDS07	1237	
12D580	382	6760	QDS07	1693	
12E	419	240	CPL31	8	
12EP1501A03SP	333	1003	A8	50	
12H	419	496	CPL31	7	
12HS	419	506	CPL31	7	
12S	415	156	CPL31	27	
12SC-H	418	208	CPL31	17	

Catalog Number	Page Number	List Price	Mult Sym.	Ship Weight ⁽¹⁾	Type Code
12SC-HS	418	196	CPL31	14	
12SC100-14	418	288	CPL31	30	
12SC70	418	192	CPL31	23	
12SC70-14	418	252	CPL31	21	
12SC78	418	196	CPL31	25	
12SC78-14	418	264	CPL31	23	
133-6FBA	328	69	A8	0	
13B	416	208	CPL31	13	
13E	419	420	CPL31	13	
13HS	419	840	CPL31	12	
13S	415	220	CPL31	45	
13SC-H	418	232	CPL31	20	
13SC-HS	418	220	CPL31	16	
13SC78	418	264	CPL31	38	
1406W	424	3790	G1	359	3735M
1407W	424	4134	G1	372	3744M
1408W	424	3790	G1	358	3735M
1409W	424	4134	G1	374	3744M
1410W	424	3790	G1	362	3735M
1411W	424	4134	G1	381	374M
14SC-H	418	280	CPL31	24	
14SC78	418	396	CPL31	55	
180-5002	331	903	P1	18	
1B110	367	76	QDS05	11	
1B124	367	90	QDS05	13	
1B136	367	96	QDS05	13	
1B154	367	116	QDS05	21	
1B160	367	136	QDS05	22	
1B184	367	156	QDS05	26	
1B200	367	230	QDS05	28	
1B250	367	350	QDS05	40	
1B34	367	26	QDS05	1	
1B36	367	27	QDS05	1	
1B38	367	28	QDS05	2	
1B40	367	29	QDS05	2	
1B42	367	30	QDS05	2	
1B44	367	31	QDS05	2	
1B46	367	32	QDS05	2	
1B48	367	33	QDS05	3	
1B50	367	34	QDS05	3	
1B52	367	35	QDS05	3	
1B54	367	36	QDS05	4	
1B56	367	37	QDS05	4	
1B58	367	38	QDS05	4	
1B60	367	40	QDS05	5	
1B62	367	42	QDS05	5	
1B64	367	44	QDS05	5	
1B66	367	48	QDS05	5	
1B68	367	50	QDS05	6	
1B70	367	52	QDS05	5	
1B74	367	56	QDS05	6	
1B80	367	58	QDS05	7	
1B86	367	62	QDS05	8	
1B90	367	63	QDS05	9	
1B94	367	64	QDS05	9	
1C100	374	140	QDS07	17	
1C105	374	152	QDS07	18	
1C110	374	172	QDS07	20	
1C120	374	184	QDS07	22	
1C130	374	240	QDS07	29	

Motor
Accessories

PT Components

Grinders

Baldor
Mod Express

ABB
Mod Express

ABB ATEX
Mod Express

Product
Index

⁽¹⁾ Shipping weight is approximate.

Motor
Accessories

PT
Components

Grinders

Baldor
Mod Express

ABB
Mod Express

ABB ATEX
Mod Express

Product
Index

Catalog Number	Page Number	List Price	Mult Sym.	Ship Weight ⁽¹⁾	Type Code
1C140	374	260	QDS07	22	
1C160	374	280	QDS07	24	
1C180	374	300	QDS07	32	
1C200	374	320	QDS07	36	
1C240	374	360	QDS07	47	
1C70	374	112	QDS07	9	
1C75	374	120	QDS07	11	
1C80	374	124	QDS07	13	
1C85	374	128	QDS07	16	
1C90	374	132	QDS07	14	
1C95	374	136	QDS07	16	
1TB110	364	67	STS63	7	
1TB124	364	68	STS63	21	
1TB136	364	73	STS63	22	
1TB154	364	98	STS63	19	
1TB160	364	115	STS63	27	
1TB184	364	131	STS63	38	
1TB200	364	190	STS63	26	
1TB250	364	244	STS63	1	
1TB300	364	366	STS63	1	
1TB34	364	24	STS63	2	
1TB36	364	25	STS63	3	
1TB38	364	27	STS63	3	
1TB380	364	532	STS63	1	
1TB40	364	27	STS63	2	
1TB42	364	28	STS63	3	
1TB44	364	29	STS63	3	
1TB46	364	32	STS63	3	
1TB48	364	32	STS63	4	
1TB50	364	34	STS63	4	
1TB52	364	34	STS63	4	
1TB54	364	35	STS63	5	
1TB56	364	36	STS63	5	
1TB58	364	36	STS63	6	
1TB60	364	38	STS63	6	
1TB62	364	40	STS63	7	
1TB64	364	41	STS63	7	
1TB66	364	45	STS63	8	
1TB68	364	46	STS63	8	
1TB70	364	48	STS63	10	
1TB74	364	51	STS63	11	
1TB80	364	53	STS63	8	
1TB86	364	56	STS63	10	
1TB90	364	57	STS63	10	
1TB94	364	58	STS63	11	
1VM50	357	30	VPS16	3	
1VP25	359	37	VPS30	7	
1VP30	359	38	VPS30	1	
1VP34	359	47	VPS30	1	
1VP40	359	48	VPS30	2	
1VP44 (1)	359	52	VPS30	3	
1VP44 (2)	359	72	VPS30	3	
1VP50 (1)	359	61	VPS30	4	
1VP50 (2)	359	87	VPS30	4	
1VP56 (1)	359	91	VPS30	5	
1VP56 (2)	359	117	VPS30	5	
1VP60	359	142	VPS30	7	
1VP62	359	143	VPS30	6	
1VP65	359	149	VPS30	7	
1VP68	359	149	VPS30	7	

Catalog Number	Page Number	List Price	Mult Sym.	Ship Weight ⁽¹⁾	Type Code
1VP71	359	158	VPS30	8	
1VP75	359	211	VPS30	9	
1W110	361	66	STS62	13	
1W124	361	78	STS62	17	
1W136	361	82	STS62	20	
1W154	361	107	STS62	23	
1W160	361	123	STS62	25	
1W184	361	139	STS62	35	
1W200	361	200	STS62	29	
1W234	361	237	STS62	37	
1W250	361	254	STS62	41	
1W278	361	315	STS62	49	
1W42	361	26	STS62	2	
1W44	361	27	STS62	3	
1W46	361	30	STS62	3	
1W48	361	31	STS62	3	
1W50	361	32	STS62	3	
1W52	361	33	STS62	4	
1W54	361	33	STS62	4	
1W56	361	34	STS62	4	
1W58	361	35	STS62	5	
1W60	361	37	STS62	5	
1W62	361	38	STS62	6	
1W64	361	40	STS62	6	
1W66	361	43	STS62	7	
1W68	361	45	STS62	7	
1W70	361	46	STS62	8	
1W74	361	50	STS62	9	
1W80	361	51	STS62	11	
1W86	361	55	STS62	10	
1W90	361	55	STS62	13	
1W94	361	56	STS62	11	
2-3V10.60	384	110	QDS08	12	
2-3V14.00	384	174	QDS08	18	
2-3V19.00	384	204	QDS08	26	
2-3V2.20	384	29	QDS09	1	
2-3V2.35	384	30	QDS08	1	
2-3V2.50	384	30	QDS08	1	
2-3V2.65	384	31	QDS08	1	
2-3V2.80	384	32	QDS08	1	
2-3V25.00	384	360	QDS08	34	
2-3V3.00	384	33	QDS08	1	
2-3V3.15	384	34	QDS08	1	
2-3V3.35	384	35	QDS08	1	
2-3V3.65	384	36	QDS08	2	
2-3V4.12	384	40	QDS08	2	
2-3V4.50	384	44	QDS08	3	
2-3V4.75	384	48	QDS08	3	
2-3V5.00	384	52	QDS08	4	
2-3V5.30	384	54	QDS08	4	
2-3V5.60	384	56	QDS08	5	
2-3V6.00	384	58	QDS08	5	
2-3V6.50	384	64	QDS08	6	
2-3V6.90	384	70	QDS08	7	
2-3V8.00	384	72	QDS08	7	
2-5V10.30	388	152	QDS08	18	
2-5V10.90	388	156	QDS08	21	
2-5V11.30	388	160	QDS08	17	
2-5V11.80	388	162	QDS08	18	
2-5V12.50	388	164	QDS08	21	

⁽¹⁾ Shipping weight is approximate.

Catalog Number	Page Number	List Price	Mult Sym.	Ship Weight ⁽¹⁾	Type Code
2-5V13.20	388	176	QDS08	22	
2-5V14.00	388	230	QDS08	23	
2-5V15.00	388	234	QDS08	25	
2-5V16.00	388	252	QDS08	27	
2-5V18.70	388	300	QDS08	35	
2-5V21.20	388	416	QDS08	47	
2-5V23.60	388	480	QDS08	53	
2-5V28.00	388	520	QDS08	66	
2-5V4.40	388	73	QDS08	4	
2-5V4.65	388	79	QDS08	4	
2-5V4.90	388	85	QDS08	4	
2-5V5.20	388	91	QDS08	5	
2-5V5.50	388	97	QDS08	6	
2-5V5.90	388	103	QDS08	6	
2-5V6.30	388	109	QDS08	8	
2-5V6.70	388	115	QDS08	9	
2-5V7.10	388	120	QDS08	11	
2-5V7.50	388	122	QDS08	12	
2-5V8.00	388	124	QDS08	14	
2-5V8.50	388	128	QDS08	16	
2-5V9.00	388	136	QDS08	18	
2-5V9.25	388	144	QDS08	16	
2-5V9.75	388	148	QDS08	18	
2048-151D	426	1582	G1	88	3528L
2048-153D	426	1531	G1	76	3516M
210-5001	331	830	P1	12	
248-151AS	426	1867	G1	105	
248-151TD	426	1733	G1	95	3528L
248-153TD	426	1682	G1	84	3516M
248-181TD	426	2037	G1	138	3535LC
248-183TD	426	1979	G1	128	3535M
250-5001	331	1769	P1	75	
280-5002	331	2210	P1	57	
2B110	368	92	QDS05	15	
2B124	368	100	QDS05	18	
2B136	368	120	QDS05	24	
2B154	368	168	QDS05	26	
2B160	368	178	QDS05	28	
2B184	368	224	QDS05	37	
2B200	368	260	QDS05	36	
2B250	368	396	QDS05	66	
2B300	368	440	QDS05	73	
2B34	368	38	QDS05	2	
2B36	368	40	QDS05	2	
2B38	368	42	QDS05	3	
2B380	368	840	QDS07	95	
2B40	368	44	QDS05	3	
2B42	368	46	QDS05	3	
2B44	368	48	QDS05	4	
2B46	368	50	QDS05	4	
2B48	368	52	QDS05	4	
2B50	368	54	QDS05	5	
2B52	368	56	QDS05	5	
2B54	368	58	QDS05	6	
2B56	368	60	QDS05	6	
2B58	368	62	QDS05	6	
2B60	368	64	QDS05	7	
2B62	368	66	QDS05	7	
2B64	368	68	QDS05	7	
2B66	368	69	QDS05	8	

Catalog Number	Page Number	List Price	Mult Sym.	Ship Weight ⁽¹⁾	Type Code
2B68	368	71	QDS05	8	
2B70	368	72	QDS05	9	
2B74	368	73	QDS05	10	
2B80	368	74	QDS05	12	
2B86	368	76	QDS05	12	
2B90	368	77	QDS05	12	
2B94	368	78	QDS05	13	
2C100	374	176	QDS06	22	
2C105	374	188	QDS06	23	
2C110	374	200	QDS06	26	
2C120	374	210	QDS06	29	
2C130	374	250	QDS06	36	
2C140	374	270	QDS06	40	
2C160	374	290	QDS06	39	
2C180	374	310	QDS06	47	
2C200	374	340	QDS06	55	
2C240	374	460	QDS06	63	
2C270	374	550	QDS06	93	
2C300	374	620	QDS06	94	
2C60	374	126	QDS06	8	
2C70	374	132	QDS06	13	
2C75	374	136	QDS06	15	
2C80	374	144	QDS06	17	
2C85	374	148	QDS06	19	
2C90	374	152	QDS06	21	
2C95	374	160	QDS06	23	
2MA100	350	79	LDS04	9	
2MA103	350	79	LDS04	10	
2MA110	350	85	LDS04	10	
2MA113	350	86	LDS04	11	
2MA120	350	94	LDS04	11	
2MA123	350	94	LDS04	12	
2MA133	350	111	LDS04	14	
2MA143	350	117	LDS04	15	
2MA153	350	135	LDS04	17	
2MA183	350	170	LDS04	19	
2MA20	350	21	LDS04	1	
2MA22	350	21	LDS04	1	
2MA23	350	23	LDS04	1	
2MA24	350	23	LDS04	1	
2MA25	350	23	LDS04	2	
2MA27	350	25	LDS04	2	
2MA28	350	28	LDS04	2	
2MA29	350	28	LDS04	2	
2MA30	350	31	LDS04	2	
2MA33	350	35	LDS04	2	
2MA35	350	36	LDS04	3	
2MA38	350	36	LDS04	3	
2MA40	350	40	LDS04	3	
2MA43	350	42	LDS04	3	
2MA45	350	43	LDS04	4	
2MA48	350	44	LDS04	4	
2MA50	350	45	LDS04	4	
2MA53	350	46	LDS04	4	
2MA55	350	47	LDS04	5	
2MA58	350	51	LDS04	5	
2MA60	350	52	LDS04	6	
2MA63	350	54	LDS04	6	
2MA70	350	61	LDS04	6	
2MA73	350	62	LDS04	6	

⁽¹⁾ Shipping weight is approximate.

Motor
Accessories

PT Components

Grinders

Baldor
Mod Express

ABB
Mod Express

ABB ATEX
Mod Express

Product
Index

Motor
Accessories

PT
Components

Grinders

Baldor
Mod Express

ABB
Mod Express

ABB ATEX
Mod Express

Product
Index

Catalog Number	Page Number	List Price	Mult Sym.	Ship Weight ⁽¹⁾	Type Code
2MA80	350	67	LDS04	7	
2MA83	350	68	LDS04	8	
2MA90	350	73	LDS04	9	
2MA93	350	74	LDS04	9	
2MAL102	354	78	LDS13	9	
2MAL112	354	87	LDS13	11	
2MAL122	354	91	LDS13	10	
2MAL132	354	97	LDS13	12	
2MAL142	354	102	LDS13	14	
2MAL152	354	115	LDS13	17	
2MAL182	354	151	LDS13	18	
2MAL30	354	33	LDS13	2	
2MAL32	354	37	LDS13	2	
2MAL34	354	38	LDS13	2	
2MAL37	354	39	LDS13	2	
2MAL39	354	43	LDS13	2	
2MAL42	354	44	LDS13	3	
2MAL44	354	46	LDS13	3	
2MAL47	354	47	LDS13	3	
2MAL49	354	48	LDS13	4	
2MAL52	354	51	LDS13	4	
2MAL54	354	51	LDS13	4	
2MAL57	354	52	LDS13	4	
2MAL59	354	53	LDS13	4	
2MAL62	354	56	LDS13	4	
2MAL72	354	62	LDS13	6	
2MAL82	354	69	LDS13	7	
2MAL92	354	74	LDS13	8	
2MB100	352	89	LDS04	10	
2MB108	352	94	LDS04	13	
2MB110	352	94	LDS04	13	
2MB118	352	102	LDS04	10	
2MB120	352	102	LDS04	15	
2MB128	352	115	LDS04	15	
2MB138	352	120	LDS04	17	
2MB158	352	143	LDS04	18	
2MB188	352	184	LDS04	26	
2MB20	352	25	LDS04	1	
2MB23	352	27	LDS04	1	
2MB25	352	29	LDS04	2	
2MB28	352	30	LDS04	2	
2MB30	352	32	LDS04	2	
2MB32	352	34	LDS04	2	
2MB33	352	36	LDS04	2	
2MB34	352	36	LDS04	3	
2MB35	352	38	LDS04	3	
2MB38	352	39	LDS04	3	
2MB40	352	40	LDS04	3	
2MB43	352	43	LDS04	4	
2MB45	352	43	LDS04	4	
2MB48	352	47	LDS04	4	
2MB50	352	48	LDS04	5	
2MB53	352	50	LDS04	5	
2MB55	352	52	LDS04	5	
2MB58	352	54	LDS04	5	
2MB60	352	55	LDS04	6	
2MB63	352	59	LDS04	6	
2MB65	352	62	LDS04	6	
2MB68	352	69	LDS04	6	
2MB70	352	69	LDS04	6	

Catalog Number	Page Number	List Price	Mult Sym.	Ship Weight ⁽¹⁾	Type Code
2MB78	352	73	LDS04	7	
2MB80	352	73	LDS04	8	
2MB88	352	75	LDS04	8	
2MB90	352	75	LDS04	9	
2MB98	352	89	LDS04	10	
2MBL107	356	93	LDS13	13	
2MBL117	356	106	LDS13	15	
2MBL127	356	114	LDS13	15	
2MBL137	356	129	LDS13	15	
2MBL157	356	135	LDS13	19	
2MBL187	356	151	LDS13	25	
2MBL33	356	40	LDS13	2	
2MBL35	356	40	LDS13	2	
2MBL37	356	41	LDS13	3	
2MBL39	356	41	LDS13	3	
2MBL42	356	42	LDS13	3	
2MBL44	356	46	LDS13	3	
2MBL47	356	47	LDS13	4	
2MBL49	356	48	LDS13	4	
2MBL52	356	52	LDS13	5	
2MBL54	356	53	LDS13	5	
2MBL57	356	55	LDS13	5	
2MBL59	356	55	LDS13	6	
2MBL62	356	60	LDS13	5	
2MBL64	356	61	LDS13	6	
2MBL67	356	62	LDS13	6	
2MBL69	356	65	LDS13	7	
2MBL77	356	72	LDS13	7	
2MBL87	356	74	LDS13	9	
2MBL97	356	85	LDS13	10	
2TB110	365	79	STS63	19	
2TB124	365	85	STS63	26	
2TB136	365	102	STS63	27	
2TB154	365	98	STS63	26	
2TB160	365	149	STS63	34	
2TB184	365	186	STS63	47	
2TB200	365	221	STS63	37	
2TB250	365	331	STS63	50	
2TB300	365	366	STS63	68	
2TB34	365	34	STS63	3	
2TB36	365	36	STS63	3	
2TB38	365	37	STS63	3	
2TB380	365	690	STS63	96	
2TB40	365	39	STS63	4	
2TB42	365	41	STS63	4	
2TB44	365	42	STS63	5	
2TB46	365	46	STS63	5	
2TB48	365	48	STS63	6	
2TB50	365	49	STS63	6	
2TB52	365	51	STS63	7	
2TB54	365	53	STS63	7	
2TB56	365	54	STS63	8	
2TB58	365	56	STS63	8	
2TB60	365	58	STS63	9	
2TB62	365	59	STS63	9	
2TB64	365	61	STS63	11	
2TB66	365	62	STS63	11	
2TB68	365	62	STS63	10	
2TB70	365	63	STS63	13	
2TB74	365	64	STS63	16	

⁽¹⁾ Shipping weight is approximate.

Catalog Number	Page Number	List Price	Mult Sym.	Ship Weight ⁽¹⁾	Type Code
2TB80	365	64	STS63	14	
2TB86	365	66	STS63	17	
2TB90	365	67	STS63	18	
2TB94	365	68	STS63	20	
2VP36	359	114	VPS30	3	
2VP42	359	130	VPS30	4	
2VP50	359	150	VPS30	6	
2VP56	359	177	VPS30	8	
2VP60	359	226	VPS30	11	
2VP62	359	226	VPS30	10	
2VP65	359	242	VPS30	12	
2VP68	359	250	VPS30	12	
2VP71	359	256	VPS30	15	
2VP75	359	379	VPS30	17	
2VV110	362	87	STS62	17	
2VV124	362	94	STS62	20	
2VV136	362	110	STS62	25	
2VV154	362	149	STS62	28	
2VV160	362	157	STS62	31	
2VV184	362	195	STS62	43	
2VV200	362	230	STS62	43	
2VV234	362	305	STS62	56	
2VV250	362	341	STS62	80	
2VV278	362	351	STS62	74	
2VV42	362	40	STS62	4	
2VV44	362	42	STS62	4	
2VV46	362	45	STS62	3	
2VV48	362	46	STS62	4	
2VV50	362	48	STS62	5	
2VV52	362	50	STS62	5	
2VV54	362	51	STS62	6	
2VV56	362	53	STS62	7	
2VV58	362	55	STS62	7	
2VV60	362	56	STS62	8	
2VV62	362	58	STS62	8	
2VV64	362	60	STS62	9	
2VV66	362	60	STS62	10	
2VV68	362	61	STS62	11	
2VV70	362	71	STS62	11	
2VV74	362	72	STS62	13	
2VV80	362	72	STS62	14	
2VV86	362	74	STS62	15	
2VV90	362	75	STS62	16	
2VV94	362	76	STS62	14	
3-3V10.60	385	126	QDS08	14	
3-3V14.00	385	184	QDS08	19	
3-3V19.00	385	216	QDS08	34	
3-3V2.65	385	37	QDS08	1	
3-3V2.80	385	38	QDS08	1	
3-3V25.00	385	400	QDS08	39	
3-3V3.00	385	39	QDS08	2	
3-3V3.15	385	40	QDS08	2	
3-3V3.35	385	41	QDS08	2	
3-3V3.65	385	42	QDS08	2	
3-3V33.50	385	720	QDS09	79	
3-3V4.12	385	44	QDS08	3	
3-3V4.50	385	50	QDS08	3	
3-3V4.75	385	54	QDS08	4	
3-3V5.00	385	58	QDS08	4	
3-3V5.30	385	60	QDS08	5	

Catalog Number	Page Number	List Price	Mult Sym.	Ship Weight ⁽¹⁾	Type Code
3-3V5.60	385	62	QDS08	5	
3-3V6.00	385	66	QDS08	6	
3-3V6.50	385	68	QDS08	7	
3-3V6.90	385	80	QDS08	7	
3-3V8.00	385	86	QDS08	10	
3-5V10.30	389	172	QDS08	22	
3-5V10.90	389	176	QDS08	23	
3-5V11.30	389	180	QDS08	23	
3-5V11.80	389	194	QDS08	25	
3-5V12.50	389	202	QDS08	31	
3-5V13.20	389	212	QDS08	33	
3-5V14.00	389	258	QDS08	36	
3-5V15.00	389	274	QDS08	38	
3-5V16.00	389	282	QDS08	41	
3-5V18.70	389	328	QDS08	47	
3-5V21.20	389	440	QDS08	62	
3-5V23.60	389	500	QDS08	61	
3-5V28.00	389	540	QDS08	101	
3-5V31.50	389	920	QDS10	113	
3-5V37.50	389	1180	QDS10	155	
3-5V4.40	389	79	QDS08	5	
3-5V4.65	389	85	QDS08	5	
3-5V4.90	389	91	QDS08	5	
3-5V5.20	389	97	QDS08	6	
3-5V5.50	389	103	QDS08	6	
3-5V5.90	389	109	QDS08	8	
3-5V50.00	389	1780	QDS10	220	
3-5V6.30	389	115	QDS08	10	
3-5V6.70	389	121	QDS08	12	
3-5V7.10	389	128	QDS08	12	
3-5V7.50	389	134	QDS08	14	
3-5V8.00	389	142	QDS08	16	
3-5V8.50	389	146	QDS08	18	
3-5V9.00	389	150	QDS08	21	
3-5V9.25	389	156	QDS08	20	
3-5V9.75	389	162	QDS08	20	
320-5002	331	3080	P1	87	
330B	426	718	G1	56	3524M
332B	426	735	G1	55	3524C
333B	426	735	G1	56	3524C
334B	426	718	G1	54	3524M
33CB5000A01SP	332	37	P1	1	
33CB5001A01SP	332	37	P1	1	
34-171	329	60	A8	2	
34-3900T	329	60	A8	1	
34-3903A	329	73	A8	2	
34-3903A-GLD	329	73	A8	2	
34-3903T	329	76	A8	2	
34-3903T-GLD	329	76	A8	2	
34CB5001A01SP	332	36	P1	1	
35-1300	329	120	A8	6	
35-1300GLD	329	120	A8	6	
35-1325	329	154	A8	11	
35-1325GLD	329	154	A8	11	
35-1409	329	172	A8	11	
35-1409GLD	329	172	A8	11	
35-3304	329	85	A8	4	
35-8762	329	70	A8	3	
35-8762GLD	329	70	A8	3	
35-8764	329	70	A8	3	

⁽¹⁾ Shipping weight is approximate.

Motor Accessories
PT Components
Grinders
Baldor Mod Express
ABB Mod Express
ABB ATEX Mod Express

Product Index

Motor
Accessories

PT
Components

Grinders

Baldor
Mod Express

ABB
Mod Express

ABB ATEX
Mod Express

Product
Index

Catalog Number	Page Number	List Price	Mult Sym.	Ship Weight ⁽¹⁾	Type Code
35-8764GLD	329	70	A8	3	
353T	430	503	G1	35	352Q
359T	430	504	G1	36	352S
35CB5001A01SP	332	39	P1	1	
35EP1506A01SP	333	215	A8	8	
36-1037	329	137	A8	7	
36-1037GLD	329	137	A8	7	
36-1206A	329	176	A8	13	
36-1206A-GLD	329	176	A8	13	
36-1206B	329	186	A8	14	
36-1206B-GLD	329	186	A8	14	
36-1749	329	173	A8	12	
36-1749GLD	329	173	A8	12	
36-3301	329	99	A8	5	
36-3301GLD	329	99	A8	5	
36-3403	329	116	A8	5	
36-3403GLD	329	116	A8	5	
36-486	329	194	A8	8	
36-486GLD	329	194	A8	8	
360-5001	331	4725	P1	121	
360T	334	1285	P1	123	
36CB5001A01SP	332	42	P1	1	
36CB5001A06SP	332	47	P1	2	
36CB5001A07SP	332	70	P1	2	
36EP1304A62SP	333	236	A8	15	
37-1302	329	292	A8	18	
37-1302GLD	329	292	A8	18	
37-1304	329	192	A8	12	
37-1304GLD	329	192	A8	12	
37-1402	329	274	A8	18	
37-1402GLD	329	274	A8	18	
37-1404	329	231	A8	14	
37-1404GLD	329	231	A8	14	
37CB5002A06SP	332	47	P1	3	
37CB5002A07SP	332	42	P1	4	
380T	430	560	G1	42	3528L
380WCT	430	1290	G1	47	3528L
39-1403	330	411	A8	21	
39-1403GLD	330	411	A8	21	
39-3400	330	256	A8	19	
3AFE64532871	226, 232, 237	275	EG	2	
3AUA0000041141	232, 237	385	EK	3	
3B110	369	124	QDS05	22	
3B124	369	144	QDS05	25	
3B136	369	156	QDS05	28	
3B154	369	200	QDS05	31	
3B160	369	212	QDS05	32	
3B184	369	244	QDS05	42	
3B200	369	324	QDS05	49	
3B250	369	440	QDS05	67	
3B300	369	500	QDS05	96	
3B34	369	44	QDS05	3	
3B36	369	46	QDS05	4	
3B38	369	48	QDS05	4	
3B380	369	880	QDS07	145	
3B40	369	50	QDS05	4	
3B42	369	52	QDS05	4	
3B44	369	54	QDS05	5	
3B46	369	56	QDS05	6	
3B48	369	58	QDS05	6	

Catalog Number	Page Number	List Price	Mult Sym.	Ship Weight ⁽¹⁾	Type Code
3B50	369	60	QDS05	7	
3B52	369	62	QDS05	8	
3B54	369	64	QDS05	8	
3B56	369	66	QDS05	9	
3B58	369	68	QDS05	9	
3B60	369	70	QDS05	10	
3B62	369	72	QDS05	9	
3B64	369	76	QDS05	10	
3B66	369	78	QDS05	10	
3B68	369	80	QDS05	11	
3B70	369	82	QDS05	12	
3B74	369	84	QDS05	12	
3B80	369	88	QDS05	13	
3B86	369	96	QDS05	14	
3B90	369	100	QDS05	15	
3B94	369	104	QDS05	16	
3C100	375	220	QDS06	34	
3C105	375	230	QDS06	36	
3C110	375	240	QDS06	38	
3C120	375	250	QDS06	44	
3C130	375	290	QDS06	45	
3C140	375	320	QDS06	50	
3C160	375	330	QDS06	58	
3C180	375	350	QDS06	63	
3C200	375	400	QDS06	81	
3C240	375	480	QDS06	84	
3C270	375	580	QDS06	116	
3C300	375	640	QDS06	118	
3C360	375	980	QDS07	187	
3C440	375	1720	QDS07	232	
3C50	375	136	QDS06	8	
3C500	375	1920	QDS07	290	
3C50SK	375	136	QDS06	8	
3C56	375	138	QDS06	11	
3C60	375	140	QDS06	10	
3C70	375	144	QDS06	16	
3C75	375	148	QDS06	18	
3C80	375	156	QDS06	20	
3C85	375	176	QDS06	24	
3C90	375	188	QDS06	27	
3C95	375	200	QDS06	30	
3D120	379	560	QDS07	64	
3D130	379	600	QDS07	72	
3D135	379	620	QDS07	76	
3D140	379	640	QDS07	79	
3D145	379	680	QDS07	84	
3D150	379	720	QDS07	89	
3D155	379	740	QDS07	94	
3D160	379	760	QDS07	96	
3D180	379	800	QDS07	115	
3D220	379	960	QDS07	141	
3D270	379	1160	QDS07	211	
3D330	379	1640	QDS07	231	
3D400	379	2040	QDS07	310	
3J	415	8	CPL31	1	
3JE	419	4	CPL31	1	
3JES	419	6	CPL31	1	
3TB110	366	105	STS63	26	
3TB124	366	121	STS63	31	
3TB136	366	131	STS63	39	

⁽¹⁾ Shipping weight is approximate.

Catalog Number	Page Number	List Price	Mult Sym.	Ship Weight ⁽¹⁾	Type Code
3TB154	366	166	STS63	34	
3TB160	366	176	STS63	35	
3TB184	366	202	STS63	65	
3TB200	366	272	STS63	49	
3TB250	366	366	STS63	67	
3TB300	366	415	STS63	91	
3TB34	365	38	STS63	4	
3TB36	365	40	STS63	5	
3TB38	365	42	STS63	4	
3TB380	366	757	STS63	110	
3TB40	365	44	STS63	5	
3TB42	365	46	STS63	5	
3TB44	365	47	STS63	6	
3TB46	365	54	STS63	6	
3TB48	365	56	STS63	7	
3TB50	365	58	STS63	7	
3TB52	365	59	STS63	8	
3TB54	365	61	STS63	9	
3TB56	365	62	STS63	9	
3TB58	365	64	STS63	10	
3TB60	365	66	STS63	11	
3TB62	365	67	STS63	12	
3TB64	365	70	STS63	12	
3TB66	365	72	STS63	13	
3TB68	365	74	STS63	14	
3TB70	366	71	STS63	16	
3TB74	366	72	STS63	18	
3TB80	366	76	STS63	17	
3TB86	366	82	STS63	19	
3TB90	366	85	STS63	20	
3TB94	366	89	STS63	23	
3VV110	362	113	STS62	23	
3VV124	362	130	STS62	28	
3VV136	363	139	STS62	35	
3VV154	363	175	STS62	37	
3VV160	363	185	STS62	40	
3VV184	363	211	STS62	50	
3VV200	363	282	STS62	57	
3VV234	363	347	STS62	73	
3VV250	363	377	STS62	89	
3VV278	363	395	STS62	107	
3VV42	362	44	STS62	5	
3VV44	362	46	STS62	5	
3VV46	362	53	STS62	5	
3VV48	362	54	STS62	6	
3VV50	362	56	STS62	6	
3VV52	362	58	STS62	7	
3VV54	362	59	STS62	8	
3VV56	362	61	STS62	8	
3VV58	362	62	STS62	9	
3VV60	362	64	STS62	10	
3VV62	362	66	STS62	10	
3VV64	362	69	STS62	11	
3VV66	362	71	STS62	12	
3VV68	362	72	STS62	13	
3VV70	362	79	STS62	14	
3VV74	362	81	STS62	15	
3VV80	362	84	STS62	16	
3VV86	362	90	STS62	18	
3VV90	362	94	STS62	19	

Catalog Number	Page Number	List Price	Mult Sym.	Ship Weight ⁽¹⁾	Type Code
3VV94	362	97	STS62	21	
4-3V10.60	385	128	QDS08	16	
4-3V14.00	385	196	QDS08	25	
4-3V19.00	385	252	QDS08	41	
4-3V2.65	385	42	QDS08	1	
4-3V2.80	385	43	QDS08	2	
4-3V25.00	385	412	QDS08	51	
4-3V3.00	385	43	QDS08	2	
4-3V3.15	385	45	QDS08	2	
4-3V3.35	385	46	QDS08	2	
4-3V3.65	385	48	QDS08	3	
4-3V33.50	385	780	QDS09	94	
4-3V4.12	385	50	QDS08	3	
4-3V4.50	385	52	QDS08	4	
4-3V4.75	385	56	QDS08	4	
4-3V5.00	385	60	QDS08	5	
4-3V5.30	385	64	QDS08	6	
4-3V5.60	385	66	QDS08	6	
4-3V6.00	385	70	QDS08	8	
4-3V6.50	385	72	QDS08	9	
4-3V6.90	385	82	QDS08	11	
4-3V8.00	385	88	QDS08	11	
4-5V10.30	390	200	QDS08	30	
4-5V10.90	390	206	QDS08	32	
4-5V11.30	390	224	QDS08	35	
4-5V11.80	390	226	QDS08	33	
4-5V12.50	390	234	QDS08	36	
4-5V13.20	390	256	QDS08	37	
4-5V14.00	390	290	QDS08	41	
4-5V15.00	390	320	QDS08	45	
4-5V16.00	390	340	QDS08	50	
4-5V18.70	390	380	QDS08	59	
4-5V21.20	390	512	QDS08	65	
4-5V23.60	390	546	QDS08	85	
4-5V28.00	390	620	QDS08	113	
4-5V31.50	390	970	QDS10	141	
4-5V37.50	390	1240	QDS10	172	
4-5V4.40	390	92	QDS08	6	
4-5V4.65	390	98	QDS08	7	
4-5V4.90	390	104	QDS08	7	
4-5V5.20	390	110	QDS08	8	
4-5V5.50	390	116	QDS08	10	
4-5V5.90	390	122	QDS08	11	
4-5V50.00	390	1880	QDS10	269	
4-5V6.30	390	128	QDS08	12	
4-5V6.70	390	134	QDS08	14	
4-5V7.10	390	140	QDS08	14	
4-5V7.50	390	148	QDS08	16	
4-5V8.00	390	156	QDS08	18	
4-5V8.50	390	162	QDS08	22	
4-5V9.00	390	164	QDS08	25	
4-5V9.25	390	168	QDS08	26	
4-5V9.75	390	196	QDS08	30	
4-8V12.50	394	544	QDS10	69	
4-8V13.20	394	552	QDS10	73	
4-8V14.00	394	560	QDS10	84	
4-8V15.00	394	596	QDS10	93	
4-8V16.00	394	660	QDS10	84	
4-8V17.00	394	720	QDS10	106	
4-8V18.00	394	760	QDS10	100	

⁽¹⁾ Shipping weight is approximate.

Motor
Accessories

PT Components

Grinders

Baldor
Mod Express

ABB
Mod Express

ABB ATEX
Mod Express

Product
Index

Motor
Accessories

PT
Components

Grinders

Baldor
Mod Express

ABB
Mod Express

ABB ATEX
Mod Express

Product
Index

Catalog Number	Page Number	List Price	Mult Sym.	Ship Weight ⁽¹⁾	Type Code
4-8V19.00	394	790	QDS10	113	
4-8V20.00	394	820	QDS10	118	
4-8V21.20	394	840	QDS10	139	
4-8V22.40	394	886	QDS10	150	
4-8V24.80	394	1190	QDS10	225	
4-8V30.00	394	1350	QDS10	261	
4-8V35.50	394	1790	QDS10	321	
4-8V40.00	394	1970	QDS10	365	
4-8V44.50	394	2590	QDS10	424	
4-8V53.00	394	3240	QDS10	560	
40-1400	330	417	A8	30	
40-1400GLD	330	417	A8	30	
40-1401	330	427	A8	40	
40-1401GLD	330	427	A8	40	
400-5001	331	5722	P1	173	
407B	426	975	G1	60	3528C
409B	426	936	G1	59	3528M
410B	426	959	G1	61	3528C
412B	426	936	G1	62	3528M
413336-1R	250	1689	A8	7	
413336-2R	250	1906	A8	9	
417071-242TL	198	1442	E8	6	
417077-102	199, 251	1642	A8	6	
417077-124	199, 251	1893	A8	18	
417077-126	200, 251	4738	A8	225	
417077-127	200, 251	2123	A8	110	
417077-129	200	503	E8	68	
417077-130	200	591	E8	64	
417077-131	200	503	E8	90	
417077-132	200	591	E8	90	
417077-133	198	1442	E8	5	
417077-136	198	1442	E8	4	
417077-141	200	1142	E8	6	
417077-143	200	897	E8	5	
417077-144	200	897	E8	72	
417077-145	200	1753	E8	82	
417077-153	198	1598	E8	9	
417077-156	198	2060	E8	9	
417077-165	198	1442	E8	15	
417077-167	198	1598	E8	20	
417077-168	198	2060	E8	10	
417077-170	198	1442	E8	10	
417077-171	198	1442	E8	5	
417077-173	198	1442	E8	10	
417077-176	198	1529	P1	15	
417077-177	198	1442	E8	35	
417077-179	198	1442	E8	35	
417077-182	198	1442	E8	10	
417077-184	200	503	E8	10	
417077-185	200	503	E8	10	
417077-186	200	591	E8	10	
417077-187	200	591	E8	10	
417077-188	198	1442	E8	10	
417077-189	198	1442	E8	10	
417077-191	198	1598	E8	10	
417077-193	198	2060	E8	10	
417077-201	200	165	E8	0	
417077-202	200	165	E8	0	
417077-208TL	198	1442	E8	5	
417077-212TL	198	1442	E8	6	

Catalog Number	Page Number	List Price	Mult Sym.	Ship Weight ⁽¹⁾	Type Code
417077-218TL	198	1442	E8	6	
417077-242TL	198	1442	E8	6	
417077-51	251	1491	A8	44	
417077-57	199, 251	911	A8	2	
417077-58	251	911	A8	4	
417077-59	199, 251	911	A8	4	
417077-65	199, 251	1165	A8	7	
417077-74	251	2123	A8	55	
417077-75	200, 251	2324	A8	85	
417708-120	198	2060	E8	23	
417708-126	250	5128	E8	4	
417708-130	198	1442	E8	5	
417708-133	250	4036	E8	5	
417708-134	250	4036	E8	5	
417708-135	250	4036	E8	5	
417708-136	250	5128	E8	6	
417708-137	250	5128	E8	6	
417708-138	250	5128	E8	4	
417708-140	198	1442	E8	10	
417708-142	198	1442	E8	15	
417708-151	250	4036	E8	5	
417708-153	250	3164	E8	5	
417708-154	250	3764	E8	5	
417708-155	250	1689	A8	9	
417708-156	250	1689	A8	8	
417708-157	250	1091	A8	1	
417708-201	199	165	E8	1	
417708-202	199	165	E8	2	
417708-203	199	165	E8	1	
417708-21	250	1689	A8	7	
417708-22	250	1689	A8	9	
417708-244	250	4673	N5	35	
417708-245	250	4673	N5	22	
417708-246	250	4673	N5	22	
417708-247	250	4673	N5	35	
417708-26	250	1689	A8	7	
417708-27	250	1689	A8	9	
417708-30	250	3164	E8	5	
417708-32	250	3164	E8	5	
417708-33	250	3164	E8	5	
417708-34	250	3764	E8	5	
417708-36	250	3764	E8	5	
417708-37	250	3764	E8	5	
417708-40	250	1091	A8	1	
417708-41	250	1091	A8	2	
417708-42	250	1091	A8	0	
417708-85	198	1598	E8	5	
417708-87	198	2060	E8	6	
417708-90	198	1598	E8	13	
417708-91	198	1598	E8	15	
417709-17	250	4245	A8	6	
417709-21	250	4245	A8	19	
417709-58	250	4245	A8	20	
417709-59	250	4245	A8	23	
417709-60	250	4245	A8	23	
417709-61	250	4245	A8	29	
417709-65	250	4245	A8	6	
417709-66	250	4245	A8	9	
417709-67	250	4245	A8	15	
417709-68	250	4245	A8	18	

⁽¹⁾ Shipping weight is approximate.

Catalog Number	Page Number	List Price	Mult Sym.	Ship Weight ⁽¹⁾	Type Code
419914-10A	199	469	E8	39	
419914-10B	199	469	E8	27	
419914-10D	199	547	E8	48	
419914-10G	199	547	E8	55	
419914-10J	199	703	E8	37	
419914-10K	199	1006	E8	80	
419914-10L	199	547	E8	52	
419914-10M	199	547	E8	28	
419914-10N	199	703	E8	58	
419914-10P	199	703	E8	56	
419914-10R	199	1006	E8	80	
419914-10S	199	1006	E8	90	
419914-11C	199	1300	E8	105	
419914-11D	199	1300	E8	74	
419914-11E	199	2476	E8	105	
419914-11F	199	2476	E8	132	
419914-11G	199	2476	E8	141	
419914-11H	199	4672	E8	140	
419914-11J	199	4672	E8	150	
419914-11K	199	4672	E8	160	
419914-11L	199	4672	E8	165	
419914-11M	199	1300	E8	110	
419914-11N	199	1300	E8	124	
419914-11P	199	1110	E8	90	
419914-11R	199	1110	E8	130	
419914-1A	251	545	A8	50	
419914-1B	251	634	A8	33	
419914-1C	251	1223	A8	37	
419914-1D	251	1606	A8	69	
419914-1E	251	2166	A8	76	
419914-1P	251	545	A8	36	
419914-1R	251	634	A8	59	
419914-1S	251	634	A8	36	
419914-1T	251	1223	A8	26	
419914-1U	251	1223	A8	42	
419914-1W	251	1606	A8	76	
419914-1X	251	2166	A8	81	
419914-9A	199	469	E8	13	
419914-9B	199	469	E8	14	
419914-9C	199	469	E8	15	
419914-9D	199	469	E8	17	
419947-29	251	1491	A8	83	
419947-30	251	1491	A8	39	
419947-31	200	1747	E8	100	
419947-32	251	1823	A8	84	
419947-33	200	1944	E8	0	
419947-34	251	2123	A8	90	
419947-40	200	1747	E8	0	
419947-41	200	2123	A8	0	
419947-42	200	2324	A8	0	
42-1300	330	750	A8	36	
42-1300GLD	330	750	A8	36	
42-1400	330	730	A8	30	
42-1400GLD	330	730	A8	30	
42384-26BE	251	319	A8	17	
42384-26BF	251	319	A8	17	
42384-26BH	251	559	A8	29	
42384-26D	251	319	A8	14	
44-1402	330	844	A8	40	
44-1402GLD	330	844	A8	40	

Catalog Number	Page Number	List Price	Mult Sym.	Ship Weight ⁽¹⁾	Type Code
44-1403	330	844	A8	40	
44-1403A	330	844	A8	40	
44-1403A-GLD	330	844	A8	40	
44-1403GLD	330	844	A8	40	
4B110	370	152	QDS05	25	
4B124	370	170	QDS05	29	
4B136	370	204	QDS05	34	
4B154	370	224	QDS05	38	
4B160	370	244	QDS05	42	
4B184	370	260	QDS05	48	
4B200	370	364	QDS05	61	
4B250	370	480	QDS05	104	
4B300	370	560	QDS05	120	
4B34	370	64	QDS05	4	
4B36	370	66	QDS05	5	
4B38	370	68	QDS05	5	
4B380	370	980	QDS07	142	
4B40	370	70	QDS05	5	
4B42	370	72	QDS05	6	
4B44	370	74	QDS05	7	
4B46	370	76	QDS05	7	
4B48	370	78	QDS05	7	
4B50	370	80	QDS05	8	
4B52	370	82	QDS05	9	
4B54	370	84	QDS05	10	
4B56	370	86	QDS05	10	
4B58	370	88	QDS05	11	
4B60	370	90	QDS05	11	
4B62	370	92	QDS05	12	
4B64	370	96	QDS05	12	
4B66	370	100	QDS05	12	
4B68	370	104	QDS05	12	
4B70	370	108	QDS05	13	
4B74	370	112	QDS05	15	
4B80	370	116	QDS05	16	
4B86	370	124	QDS05	17	
4B90	370	131	QDS05	17	
4B94	370	138	QDS05	19	
4C100	376	240	QDS06	40	
4C105	376	260	QDS06	42	
4C110	376	272	QDS06	43	
4C120	376	300	QDS06	49	
4C130	376	336	QDS06	54	
4C140	376	364	QDS06	57	
4C160	376	420	QDS06	66	
4C180	376	430	QDS06	73	
4C200	376	450	QDS06	87	
4C240	376	560	QDS06	114	
4C270	376	660	QDS06	141	
4C300	376	760	QDS06	141	
4C360	376	1120	QDS07	192	
4C440	376	1800	QDS07	286	
4C50	376	156	QDS06	11	
4C500	376	2120	QDS07	360	
4C50SK	376	156	QDS06	10	
4C56	376	158	QDS06	13	
4C60	376	160	QDS06	12	
4C70	376	164	QDS06	19	
4C75	376	172	QDS06	22	
4C80	376	196	QDS06	24	

⁽¹⁾ Shipping weight is approximate.

Motor
Accessories

PT Components

Grinders

Baldor
Mod Express

ABB
Mod Express

ABB ATEX
Mod Express

Product
Index

Motor
Accessories

PT
Components

Grinders

Baldor
Mod Express

ABB
Mod Express

ABB ATEX
Mod Express

Product
Index

Catalog Number	Page Number	List Price	Mult Sym.	Ship Weight ⁽¹⁾	Type Code
4C85	376	208	QDS06	28	
4C90	376	224	QDS06	31	
4C95	376	228	QDS06	35	
4D120	379	600	QDS07	77	
4D130	379	640	QDS07	85	
4D135	379	660	QDS07	90	
4D140	379	680	QDS07	95	
4D145	379	780	QDS07	100	
4D150	379	800	QDS07	107	
4D155	379	820	QDS07	112	
4D160	379	840	QDS07	119	
4D170	379	940	QDS07	127	
4D180	379	960	QDS07	131	
4D200	379	980	QDS07	147	
4D220	379	1000	QDS07	167	
4D270	379	1280	QDS07	238	
4D330	379	2120	QDS07	308	
4D400	379	2240	QDS07	385	
4J	415	10	CPL31	2	
4JE	419	6	CPL31	2	
4JES	419	8	CPL31	2	
4W110	363	136	STS62	27	
4W124	363	151	STS62	35	
4W136	363	179	STS62	39	
4W154	363	200	STS62	49	
4W160	363	217	STS62	52	
4W184	363	230	STS62	64	
4W200	363	315	STS62	68	
4W234	363	400	STS62	74	
4W250	363	440	STS62	89	
4W278	363	470	STS62	105	
4W42	363	66	STS62	6	
4W44	363	67	STS62	7	
4W46	363	63	STS62	6	
4W48	363	71	STS62	7	
4W50	363	72	STS62	8	
4W52	363	74	STS62	9	
4W54	363	76	STS62	9	
4W56	363	77	STS62	10	
4W58	363	79	STS62	11	
4W60	363	80	STS62	12	
4W62	363	82	STS62	12	
4W64	363	85	STS62	14	
4W66	363	89	STS62	15	
4W68	363	92	STS62	21	
4W70	363	100	STS62	16	
4W74	363	103	STS62	18	
4W80	363	80	STS62	21	
4W86	363	113	STS62	24	
4W90	363	119	STS62	22	
4W94	363	125	STS62	23	
5-3V10.60	386	130	QDS08	19	
5-3V14.00	386	232	QDS08	28	
5-3V19.00	386	292	QDS08	43	
5-3V25.00	386	436	QDS08	61	
5-3V33.50	386	850	QDS09	107	
5-3V4.75	386	62	QDS08	5	
5-3V5.00	386	68	QDS08	6	
5-3V5.30	386	70	QDS08	6	
5-3V5.60	386	76	QDS08	7	

Catalog Number	Page Number	List Price	Mult Sym.	Ship Weight ⁽¹⁾	Type Code
5-3V6.00	386	78	QDS08	9	
5-3V6.50	386	80	QDS08	11	
5-3V6.90	386	88	QDS08	12	
5-3V8.00	386	94	QDS08	15	
5-5V10.30	391	220	QDS08	34	
5-5V10.90	391	222	QDS08	37	
5-5V11.30	391	242	QDS08	38	
5-5V11.80	391	244	QDS08	39	
5-5V12.50	391	282	QDS08	43	
5-5V13.20	391	300	QDS08	46	
5-5V14.00	391	344	QDS08	46	
5-5V15.00	391	384	QDS08	49	
5-5V16.00	391	404	QDS08	53	
5-5V18.70	391	432	QDS08	74	
5-5V21.20	391	536	QDS08	93	
5-5V23.60	391	586	QDS08	92	
5-5V28.00	391	660	QDS08	131	
5-5V31.50	391	1080	QDS10	155	
5-5V37.50	391	1380	QDS10	221	
5-5V4.40	391	104	QDS08	7	
5-5V4.65	391	110	QDS08	8	
5-5V4.90	391	116	QDS08	8	
5-5V5.20	391	122	QDS08	10	
5-5V5.50	391	128	QDS08	11	
5-5V5.90	391	134	QDS08	11	
5-5V50.00	391	1920	QDS10	350	
5-5V6.30	391	140	QDS08	13	
5-5V6.70	391	146	QDS08	14	
5-5V7.10	391	156	QDS08	16	
5-5V7.50	391	174	QDS08	18	
5-5V8.00	391	184	QDS08	20	
5-5V8.50	391	190	QDS08	24	
5-5V9.00	391	198	QDS08	27	
5-5V9.25	391	202	QDS08	29	
5-5V9.75	391	218	QDS08	32	
5-8V12.50	394	588	QDS10	78	
5-8V13.20	394	618	QDS10	85	
5-8V14.00	394	660	QDS10	93	
5-8V15.00	394	700	QDS10	105	
5-8V16.00	394	740	QDS10	113	
5-8V17.00	394	846	QDS10	119	
5-8V18.00	394	900	QDS10	133	
5-8V19.00	394	960	QDS10	126	
5-8V20.00	394	990	QDS10	135	
5-8V21.20	394	1150	QDS10	160	
5-8V22.40	394	1310	QDS10	217	
5-8V24.80	394	1390	QDS10	246	
5-8V30.00	394	1570	QDS10	296	
5-8V35.50	394	1990	QDS10	377	
5-8V40.00	394	2240	QDS10	441	
5-8V44.50	394	2990	QDS10	528	
5-8V53.00	394	3480	QDS10	669	
5B110	371	194	QDS05	29	
5B124	371	208	QDS05	34	
5B136	371	240	QDS05	40	
5B154	371	268	QDS05	44	
5B160	371	294	QDS05	50	
5B184	371	316	QDS05	53	
5B200	371	390	QDS05	78	
5B250	371	500	QDS05	103	

⁽¹⁾ Shipping weight is approximate.

Catalog Number	Page Number	List Price	Mult Sym.	Ship Weight ⁽¹⁾	Type Code
5B300	371	696	QDS05	131	
5B34	371	74	QDS05	5	
5B36	371	76	QDS05	6	
5B38	371	78	QDS05	6	
5B380	371	1080	QDS07	169	
5B40	371	80	QDS05	6	
5B42	371	82	QDS05	7	
5B44	371	84	QDS05	8	
5B46	371	86	QDS05	8	
5B48	371	90	QDS05	9	
5B50	371	92	QDS05	10	
5B52	371	94	QDS05	10	
5B54	371	96	QDS05	10	
5B56	371	98	QDS05	11	
5B58	371	100	QDS05	12	
5B60	371	106	QDS05	13	
5B62	371	110	QDS05	13	
5B64	371	116	QDS05	15	
5B66	371	120	QDS05	15	
5B68	371	124	QDS05	16	
5B70	371	132	QDS05	17	
5B74	371	150	QDS05	19	
5B80	371	154	QDS05	19	
5B86	371	164	QDS05	21	
5B90	371	168	QDS05	22	
5B94	371	172	QDS05	23	
5C100	376	276	QDS06	42	
5C105	376	296	QDS06	44	
5C110	376	332	QDS06	49	
5C120	376	336	QDS06	54	
5C130	376	376	QDS06	54	
5C140	376	380	QDS06	60	
5C160	376	430	QDS06	72	
5C180	376	480	QDS06	91	
5C200	376	600	QDS06	110	
5C240	376	640	QDS06	131	
5C270	376	760	QDS06	149	
5C300	376	840	QDS06	174	
5C360	376	1180	QDS07	233	
5C440	376	1940	QDS07	338	
5C500	376	2280	QDS07	448	
5C60SF	376	172	QDS06	14	
5C70	376	176	QDS06	23	
5C75	376	224	QDS06	25	
5C80	376	236	QDS06	27	
5C85	376	252	QDS06	32	
5C90	376	256	QDS06	36	
5C95	376	262	QDS06	40	
5D120	380	780	QDS07	89	
5D130	380	800	QDS07	100	
5D135	380	820	QDS07	105	
5D140	380	860	QDS07	111	
5D145	380	920	QDS07	118	
5D150	380	940	QDS07	125	
5D155	380	960	QDS07	131	
5D160	380	980	QDS07	131	
5D170	380	1000	QDS07	120	
5D180	380	1020	QDS07	151	
5D200	380	1220	QDS07	167	
5D220	380	1420	QDS07	198	

Catalog Number	Page Number	List Price	Mult Sym.	Ship Weight ⁽¹⁾	Type Code
5D270	380	1740	QDS07	289	
5D330	380	2180	QDS07	373	
5D400	380	2700	QDS07	521	
5D480	380	3080	QDS07	598	
5D580	380	4280	QDS07	817	
5E	419	25	CPL31	1	
5J	415	15	CPL31	1	
5JE	419	12	CPL31	1	
5JES	419	14	CPL31	1	
5S	415	20	CPL31	1	
5SC-H	418	32	CPL31	1	
5SC35	418	26	CPL31	1	
6-3V10.60	386	144	QDS09	22	
6-3V14.00	386	248	QDS09	32	
6-3V19.00	386	308	QDS09	52	
6-3V25.00	386	452	QDS09	75	
6-3V33.50	386	900	QDS09	123	
6-3V4.75	386	84	QDS09	6	
6-3V5.00	386	86	QDS09	7	
6-3V5.30	386	88	QDS09	7	
6-3V5.60	386	90	QDS09	8	
6-3V6.00	386	92	QDS09	10	
6-3V6.50	386	94	QDS09	12	
6-3V6.90	386	112	QDS09	13	
6-3V8.00	386	124	QDS09	16	
6-5V10.30	392	248	QDS08	36	
6-5V10.90	392	260	QDS08	40	
6-5V11.30	392	260	QDS08	41	
6-5V11.80	392	262	QDS08	41	
6-5V12.50	392	320	QDS08	53	
6-5V13.20	392	342	QDS08	58	
6-5V14.00	392	384	QDS08	60	
6-5V15.00	392	424	QDS08	69	
6-5V16.00	392	464	QDS08	70	
6-5V18.70	392	520	QDS08	79	
6-5V21.20	392	590	QDS08	96	
6-5V23.60	392	660	QDS08	114	
6-5V28.00	392	740	QDS08	143	
6-5V31.50	392	1180	QDS10	185	
6-5V37.50	392	1440	QDS10	250	
6-5V4.40	392	114	QDS08	8	
6-5V4.65	392	120	QDS08	9	
6-5V4.90	392	126	QDS08	9	
6-5V5.20	392	132	QDS08	10	
6-5V5.50	392	138	QDS08	13	
6-5V5.90	392	144	QDS08	12	
6-5V50.00	392	2220	QDS10	446	
6-5V6.30	392	150	QDS08	15	
6-5V6.70	392	154	QDS08	16	
6-5V7.10	392	160	QDS08	19	
6-5V7.50	392	176	QDS08	21	
6-5V8.00	392	186	QDS08	22	
6-5V8.50	392	198	QDS08	27	
6-5V9.00	392	220	QDS08	30	
6-5V9.25	392	224	QDS08	32	
6-5V9.75	392	228	QDS08	36	
6-8V12.50	395	618	QDS10	93	
6-8V13.20	395	660	QDS10	94	
6-8V14.00	395	722	QDS10	104	
6-8V15.00	395	774	QDS10	123	

⁽¹⁾ Shipping weight is approximate.

Motor
Accessories
PT Components
Grinders
Baldor
Mod Express
ABB
Mod Express
ABB ATEX
Mod Express

Product
Index

Motor
Accessories

PT
Components

Grinders

Baldor
Mod Express

ABB
Mod Express

ABB ATEX
Mod Express

Product
Index

Catalog Number	Page Number	List Price	Mult Sym.	Ship Weight ⁽¹⁾	Type Code
6-8V16.00	395	824	QDS10	139	
6-8V17.00	395	928	QDS10	125	
6-8V18.00	395	1000	QDS10	131	
6-8V19.00	395	1040	QDS10	146	
6-8V20.00	395	1190	QDS10	210	
6-8V21.20	395	1320	QDS10	240	
6-8V22.40	395	1560	QDS10	232	
6-8V24.80	395	1590	QDS10	257	
6-8V30.00	395	1610	QDS10	320	
6-8V35.50	395	2190	QDS10	440	
6-8V40.00	395	2440	QDS10	580	
6-8V44.50	395	3390	QDS10	590	
6-8V53.00	395	3720	QDS10	750	
6-8V63.00	395	6190	QDS10	50	
6-8V71.00	395	9000	QDS10	1278	
600E	422	296	G1	30	332S
600RE	427	296	G1	29	332S
602E	422	296	G1	30	332S
602E-MT	426	786	G1	47	332L
602RE	427	296	G1	29	332S
612E	422	416	G1	44	332S
612R	427	335	G1	30	332S
623E	422	470	G1	47	332C
623ED	422	635	G1	61	332C
632E	422	470	G1	47	332C
662E	422	416	G1	43	332S
662R	427	335	G1	29	332S
673E	422	470	G1	45	332C
6B	416	38	CPL31	3	
6B110	372	248	QDS07	31	
6B124	372	276	QDS07	38	
6B136	372	280	QDS07	44	
6B154	372	300	QDS07	51	
6B160	372	328	QDS07	55	
6B184	372	348	QDS07	68	
6B200	372	464	QDS07	86	
6B250	372	580	QDS07	109	
6B300	372	780	QDS07	151	
6B34	372	98	QDS07	6	
6B36	372	100	QDS07	7	
6B38	372	102	QDS07	8	
6B380	372	1120	QDS07	207	
6B40	372	104	QDS07	7	
6B42	372	106	QDS07	8	
6B44	372	110	QDS07	10	
6B46	372	112	QDS07	9	
6B48	372	114	QDS07	10	
6B50	372	116	QDS07	12	
6B52	372	118	QDS07	12	
6B54	372	120	QDS07	11	
6B56	372	122	QDS07	13	
6B58	372	124	QDS07	15	
6B60	372	126	QDS07	14	
6B62	372	130	QDS07	15	
6B64	372	134	QDS07	17	
6B66	372	138	QDS07	17	
6B68	372	142	QDS07	20	
6B70	372	150	QDS07	18	
6B74	372	204	QDS07	21	
6B80	372	208	QDS07	23	

Catalog Number	Page Number	List Price	Mult Sym.	Ship Weight ⁽¹⁾	Type Code
6B86	372	220	QDS07	26	
6B94	372	230	QDS07	27	
6C100	377	328	QDS06	55	
6C105	377	336	QDS06	61	
6C110	377	356	QDS06	60	
6C120	377	400	QDS06	66	
6C130	377	444	QDS06	68	
6C140	377	480	QDS06	76	
6C160	377	520	QDS06	85	
6C180	377	560	QDS06	99	
6C200	377	620	QDS06	119	
6C240	377	720	QDS06	144	
6C270	377	880	QDS06	176	
6C300	377	1040	QDS06	205	
6C360	377	1300	QDS07	303	
6C440	377	2040	QDS07	410	
6C500	377	2680	QDS07	510	
6C60	377	244	QDS06	16	
6C70	377	248	QDS06	26	
6C75	377	264	QDS06	29	
6C80	377	280	QDS06	30	
6C85	377	288	QDS06	36	
6C90	377	296	QDS06	44	
6C95	377	316	QDS06	50	
6D120	380	960	QDS07	116	
6D130	380	980	QDS07	137	
6D135	380	1000	QDS07	147	
6D140	380	1020	QDS07	158	
6D145	380	1040	QDS07	170	
6D150	380	1060	QDS07	147	
6D155	380	1080	QDS07	153	
6D160	380	1100	QDS07	137	
6D170	380	1120	QDS07	153	
6D180	380	1140	QDS07	167	
6D200	380	1480	QDS07	196	
6D220	380	1840	QDS07	269	
6D270	380	1900	QDS07	300	
6D330	380	2460	QDS07	408	
6D400	380	2980	QDS07	557	
6D480	380	3480	QDS07	664	
6D580	380	4520	QDS07	925	
6E	419	30	CPL31	1	
6H	419	80	CPL31	1	
6HS	419	84	CPL31	1	
6J	415	21	CPL31	1	
6JE	419	20	CPL31	1	
6JES	419	22	CPL31	1	
6S	415	26	CPL31	2	
6SC-H	418	36	CPL31	1	
6SC35	418	32	CPL31	2	
6SC44	418	40	CPL31	2	
6SC50	418	48	CPL31	3	
712E	422	584	G1	68	342C
712R	427	496	G1	45	342C
712RE	427	584	G1	68	342C
7306D	422	823	G1	84	342C
7307D	422	823	G1	84	342C
7309D	422	823	G1	87	342M
7312D	422	1035	G1	90	3428LC
762E	422	584	G1	68	342C

⁽¹⁾ Shipping weight is approximate.

Catalog Number	Page Number	List Price	Mult Sym.	Ship Weight ⁽¹⁾	Type Code
762R	427	496	G1	43	342C
762RE	427	584	G1	66	342C
7B	416	44	CPL31	1	
7E	419	38	CPL	1	
7H	419	116	CPL	1	
7HS	419	120	CPL	1	
7JE	419	26	CPL	1	
7JES	419	28	CPL	1	
7S	415	30	CPL31	3	
7SC-H	418	40	CPL31	2	
7SC35	418	40	CPL	3	
7SC44	418	48	CPL	3	
7SC50	418	56	CPL	3	
8-3V10.60	387	210	QDS	26	
8-3V14.00	387	284	QDS	41	
8-3V19.00	387	444	QDS	62	
8-3V25.00	387	520	QDS	94	
8-3V33.50	387	980	QDS	153	
8-3V4.75	387	106	QDS	7	
8-3V5.00	387	110	QDS	9	
8-3V5.30	387	124	QDS	8	
8-3V5.60	387	126	QDS	10	
8-3V6.00	387	128	QDS	12	
8-3V6.50	387	130	QDS	14	
8-3V6.90	387	132	QDS	15	
8-3V8.00	387	148	QDS	20	
8-5V10.30	393	340	QDS	54	
8-5V10.90	393	348	QDS	61	
8-5V11.30	393	356	QDS	57	
8-5V11.80	393	374	QDS	60	
8-5V12.50	393	388	QDS	63	
8-5V13.20	393	440	QDS	67	
8-5V14.00	393	480	QDS	77	
8-5V15.00	393	560	QDS	79	
8-5V16.00	393	640	QDS	85	
8-5V18.70	393	700	QDS	112	
8-5V21.20	393	760	QDS	143	
8-5V23.60	393	840	QDS	145	
8-5V28.00	393	1020	QDS	185	
8-5V31.50	393	1440	QDS	260	
8-5V37.50	393	1780	QDS	329	
8-5V50.00	393	2440	QDS	500	
8-5V7.10	393	186	QDS	23	
8-5V7.50	393	206	QDS	25	
8-5V8.00	393	226	QDS	26	
8-5V8.50	393	248	QDS	33	
8-5V9.00	393	268	QDS	36	
8-5V9.25	393	300	QDS	42	
8-5V9.75	393	320	QDS	47	
8-8V12.50	395	780	QDS	119	
8-8V13.20	395	824	QDS	135	
8-8V14.00	395	866	QDS	135	
8-8V15.00	395	928	QDS	150	
8-8V16.00	395	1010	QDS	169	
8-8V17.00	395	1124	QDS	213	
8-8V18.00	395	1200	QDS	214	
8-8V19.00	395	1240	QDS	221	
8-8V20.00	395	1280	QDS	280	
8-8V21.20	395	1380	QDS	305	
8-8V22.40	395	1590	QDS	272	

Catalog Number	Page Number	List Price	Mult Sym.	Ship Weight ⁽¹⁾	Type Code
8-8V24.80	395	1790	QDS	340	
8-8V30.00	395	1840	QDS	455	
8-8V35.50	395	2390	QDS	560	
8-8V35.5WOF0	395	3220	MMM	846	
8-8V40.00	395	2640	QDS	648	
8-8V40.0WOF0	395	3700	MMM	919	
8-8V44.50	395	3790	QDS	801	
8-8V44.5WOF0	395	5100	QDS10	1032	
8-8V53.00	395	3960	QDS	1003	
8-8V58.00	395	5500	QDS	1142	
8-8V63.00	395	6990	QDS	1278	
8-8V71.00	395	10000	QDS	1670	
8100W	423	1029	G1	99	3524C
8100WD	423	1175	G1	110	3524C
8102W	423	997	G1	98	3524M
8102WD	423	1157	G1	111	3524M
8107W	423	1029	G1	99	3524L
8107WD	423	1175	G1	111	3524C
8123W	423	997	G1	99	3524M
8123WD	423	1157	G1	112	3524M
8125W	423	997	G1	99	3524M
812RE	427	973	G1	96	3524C
8250W	423	1029	G1	97	3524C
8252W	423	997	G1	95	3524M
862RE	427	973	G1	95	3524L
8B110	373	356	QDS	52	
8B124	373	372	QDS	53	
8B136	373	452	QDS	58	
8B154	373	500	QDS	64	
8B160	373	572	QDS	71	
8B184	373	636	QDS	108	
8B200	373	690	QDS	100	
8B250	373	880	QDS	152	
8B300	373	1260	QDS	186	
8B380	373	1740	QDS	278	
8B54	373	180	QDS	14	
8B56	373	184	QDS	16	
8B58	373	188	QDS	20	
8B60	373	192	QDS	16	
8B62	373	196	QDS	18	
8B64	373	200	QDS	21	
8B66	373	208	QDS	20	
8B68	373	212	QDS	21	
8B70	373	260	QDS	22	
8B74	373	284	QDS	25	
8B80	373	288	QDS	30	
8B86	373	292	QDS	34	
8B94	373	300	QDS	41	
8C100	377	430	QDS	64	
8C105	377	450	QDS	72	
8C110	377	480	QDS	79	
8C120	377	520	QDS	94	
8C130	377	560	QDS	97	
8C140	377	650	QDS	96	
8C160	377	740	QDS	111	
8C180	377	860	QDS	129	
8C200	377	870	QDS	158	
8C240	377	1020	QDS	173	
8C270	377	1120	QDS	226	
8C300	377	1280	QDS	272	

⁽¹⁾ Shipping weight is approximate.

Motor Accessories
PT Components
Grinders
Baldor Mod Express
ABB Mod Express
ABB ATEX Mod Express
Product Index

Motor
Accessories

PT
Components

Grinders

Baldor
Mod Express

ABB
Mod Express

ABB ATEX
Mod Express

Product
Index

Catalog Number	Page Number	List Price	Mult Sym.	Ship Weight ⁽¹⁾	Type Code
8C360	377	1600	QDS	370	
8C440	377	2560	QDS	479	
8C500	377	3000	QDS	570	
8C70	377	320	QDS	32	
8C80	377	390	QDS	39	
8C85	377	400	QDS	45	
8C90	377	410	QDS	53	
8C95	377	420	QDS	56	
8D120	381	1240	QDS	141	
8D130	381	1260	QDS	163	
8D135	381	1280	QDS	175	
8D140	381	1320	QDS	187	
8D145	381	1360	QDS	200	
8D150	381	1380	QDS	183	
8D155	381	1400	QDS	189	
8D160	381	1560	QDS	197	
8D170	381	1680	QDS	213	
8D180	381	1820	QDS	255	
8D200	381	2000	QDS	258	
8D220	381	2160	QDS	329	
8D270	381	2660	QDS	409	
8D330	381	2840	QDS	531	
8D400	381	3720	QDS	731	
8D480	381	4320	QDS	871	
8D580	381	5280	QDS	950	
8E	419	66	CPL	1	
8H	419	126	CPL	1	
8HS	419	130	CPL	1	
8JE	419	34	CPL	1	
8JES	419	38	CPL	1	
8S	415	40	CPL31	4	
8SC-H	418	50	CPL31	3	
8SC35	418	52	CPL	4	
8SC35-10	418	64	CPL	3	
8SC44	418	64	CPL	4	
8SC50	418	76	CPL	5	
8SC50-10	418	96	CPL	6	
9B	416	62	CPL31	2	
9E	419	74	CPL	2	
9H	419	166	CPL	2	
9HS	419	172	CPL	2	
9JE	419	40	CPL	1	
9JES	419	44	CPL	1	
9S	415	60	CPL31	7	
9SC-H	418	64	CPL31	4	
9SC-HS	418	60	CPL31	8	
9SC35	418	64	CPL	4	
9SC44	418	84	CPL	6	
9SC50	418	108	CPL	6	
9SC50-11	418	116	CPL	7	
9SC70-11	418	120	CPL	11	
9SC78-11	418	124	CPL	12	
A103	429	43	A8	1	
A65	429	22	A8	1	
A82	429	36	A8	1	
AB248	428	30	A8	1	
ACS-CP-A	226, 230, 235	150	ES	0	
ACS-CP-C	226, 230	75	ES	0	
ACS/H-CP-EXT	226, 230, 235	55	ES	0	
ACS/H-CP-EXT-IP66	226, 230, 235	63	ES	0	

Catalog Number	Page Number	List Price	Mult Sym.	Ship Weight ⁽¹⁾	Type Code
ACS150-01U-02A4-2	216	216	ES	2	
ACS150-01U-04A7-2	216	270	ES	3	
ACS150-01U-06A7-2	216	311	ES	3	
ACS150-01U-07A5-2	216	352	ES	3	
ACS150-01U-09A8-2	216	417	ES	3	
ACS150-03U-01A2-4	216	305	ES	3	
ACS150-03U-01A9-4	216	316	ES	2	
ACS150-03U-02A4-2	216	216	ES	2	
ACS150-03U-02A4-4	216	328	ES	3	
ACS150-03U-03A3-4	216	362	ES	3	
ACS150-03U-03A5-2	216	243	ES	2	
ACS150-03U-04A1-4	216	396	ES	3	
ACS150-03U-04A7-2	216	270	ES	3	
ACS150-03U-05A6-4	216	441	ES	3	
ACS150-03U-06A7-2	216	311	ES	3	
ACS150-03U-07A5-2	216	352	ES	3	
ACS150-03U-08A8-4	216	564	ES	3	
ACS150-03U-09A8-2	216	417	ES	3	
ACS250-01U-02A3-1	219	408	ES	3	
ACS250-01U-02A3-1+B063	222	757	ES	17	
ACS250-01U-02A3-2+B063	222	723	ES	17	
ACS250-01U-04A3-1	219	450	ES	3	
ACS250-01U-04A3-1+B063	222	836	ES	17	
ACS250-01U-04A3-2+B063	222	795	ES	17	
ACS250-01U-05A8-1	219	552	ES	3	
ACS250-01U-05A8-1+B063	222	1018	ES	29	
ACS250-01U-07A0-2+B063	222	853	ES	17	
ACS250-01U-10A5-2+B063	222	982	ES	29	
ACS250-03U-02A1-6	219	602	ES	6	
ACS250-03U-02A1-6+B063	222	1285	ES	17	
ACS250-03U-02A2-4+B063	222	777	ES	17	
ACS250-03U-02A3-2+B063	222	660	ES	17	
ACS250-03U-03A1-6	219	782	ES	6	
ACS250-03U-03A1-6+B063	222	1484	ES	17	
ACS250-03U-04A1-4+B063	222	911	ES	17	
ACS250-03U-04A1-6	219	869	ES	6	
ACS250-03U-04A1-6+B063	222	1697	ES	17	
ACS250-03U-04A3-2+B063	222	717	ES	17	
ACS250-03U-05A8-4+B063	222	1027	ES	29	
ACS250-03U-06A5-6	219	1043	ES	6	
ACS250-03U-06A5-6+B063	222	1946	ES	17	
ACS250-03U-07A0-2+B063	222	824	ES	29	
ACS250-03U-09A0-6	219	1459	ES	6	
ACS250-03U-09A0-6+B063	222	2455	ES	17	
ACS250-03U-09A5-4+B063	222	1275	ES	29	
ACS250-03U-10A5-2+B063	222	950	ES	29	
ACS250-03U-12A0-6	219	1751	ES	10	
ACS250-03U-12A0-6+B063	222	2925	ES	29	
ACS250-03U-14A0-4+B063	222	1646	ES	29	
ACS250-03U-17A0-6	219	2291	ES	10	
ACS250-03U-17A0-6+B063	222	4297	ES	29	
ACS250-03U-18A0-2+B063	222	1353	ES	29	
ACS250-03U-18A0-4+B063	222	1952	ES	29	
ACS250-03U-22A0-6	219	2917	ES	10	
ACS310-01U-02A4-2	225	258	ES	3	
ACS310-01U-04A7-2	225	325	ES	3	
ACS310-01U-06A7-2	225	385	ES	3	
ACS310-01U-07A5-2	225	420	ES	3	
ACS310-01U-09A8-2	225	475	ES	3	
ACS310-03U-01A3-4	225	342	ES	3	

⁽¹⁾ Shipping weight is approximate.

Catalog Number	Page Number	List Price	Mult Sym.	Ship Weight ⁽¹⁾	Type Code
ACS310-03U-02A1-4	225	359	ES	3	
ACS310-03U-02A6-2	225	215	ES	3	
ACS310-03U-02A6-4	225	376	ES	3	
ACS310-03U-03A6-4	225	400	ES	3	
ACS310-03U-03A9-2	225	239	ES	3	
ACS310-03U-04A5-4	225	415	ES	3	
ACS310-03U-05A2-2	225	274	ES	3	
ACS310-03U-06A2-4	225	507	ES	3	
ACS310-03U-07A4-2	225	303	ES	3	
ACS310-03U-08A3-2	225	346	ES	3	
ACS310-03U-09A7-4	225	606	ES	3	
ACS310-03U-10A8-2	225	415	ES	3	
ACS310-03U-13A8-4	225	725	ES	6	
ACS310-03U-17A2-4	225	867	ES	6	
ACS310-03U-19A4-2	225	545	ES	3	
ACS310-03U-25A4-4	225	1065	ES	6	
ACS310-03U-26A8-2	225	739	ES	6	
ACS310-03U-34A1-2	225	957	ES	10	
ACS310-03U-34A1-4	225	1402	ES	10	
ACS310-03U-41A8-4	225	1709	ES	10	
ACS310-03U-48A4-4	225	2055	ES	10	
ACS310-03U-50A8-2	225	1235	ES	10	
ACS355-01U-02A4-2	229	319	ES	3	
ACS355-01U-04A7-2	229	362	ES	3	
ACS355-01U-06A7-2	229	405	ES	3	
ACS355-01U-07A5-2	229	448	ES	3	
ACS355-01U-09A8-2	229	540	ES	3	
ACS355-03U-01A2-4	230	380	ES	3	
ACS355-03U-01A2-4+B063	235	718	ES	17	
ACS355-03U-01A2-4+B063+F278	235	898	ES	17	
ACS355-03U-01A9-4	230	419	ES	3	
ACS355-03U-01A9-4+B063	235	733	ES	17	
ACS355-03U-01A9-4+B063+F278	235	916	ES	17	
ACS355-03U-02A4-2	229	319	ES	3	
ACS355-03U-02A4-2+B063	234	750	ES	17	
ACS355-03U-02A4-2+B063+F278	234	990	ES	17	
ACS355-03U-02A4-4	230	458	ES	3	
ACS355-03U-02A4-4+B063	235	786	ES	17	
ACS355-03U-02A4-4+B063+F278	235	982	ES	17	
ACS355-03U-03A3-4	230	494	ES	3	
ACS355-03U-03A3-4+B063	235	837	ES	17	
ACS355-03U-03A3-4+B063+F278	235	1047	ES	17	
ACS355-03U-03A5-2	229	341	ES	3	
ACS355-03U-03A5-2+B063	234	849	ES	17	
ACS355-03U-03A5-2+B063+F278	234	1120	ES	17	
ACS355-03U-04A1-4	230	529	ES	3	
ACS355-03U-04A1-4+B063	235	900	ES	17	
ACS355-03U-04A1-4+B063+F278	235	1125	ES	17	
ACS355-03U-04A7-2	229	362	ES	3	
ACS355-03U-04A7-2+B063	234	904	ES	17	
ACS355-03U-04A7-2+B063+F278	234	1193	ES	17	
ACS355-03U-05A6-4	230	641	ES	3	
ACS355-03U-05A6-4+B063	235	975	ES	17	
ACS355-03U-05A6-4+B063+F278	235	1219	ES	17	

Catalog Number	Page Number	List Price	Mult Sym.	Ship Weight ⁽¹⁾	Type Code
ACS355-03U-06A7-2	229	405	ES	3	
ACS355-03U-06A7-2+B063	234	953	ES	17	
ACS355-03U-06A7-2+B063+F278	234	1259	ES	17	
ACS355-03U-07A5-2	229	448	ES	3	
ACS355-03U-07A5-2+B063	234	1017	ES	17	
ACS355-03U-07A5-2+B063+F278	234	1342	ES	17	
ACS355-03U-08A8-4	230	761	ES	3	
ACS355-03U-08A8-4+B063	235	1180	ES	17	
ACS355-03U-08A8-4+B063+F278	235	1475	ES	17	
ACS355-03U-09A8-2	229	540	ES	3	
ACS355-03U-09A8-2+B063	234	1106	ES	29	
ACS355-03U-09A8-2+B063+F278	234	1460	ES	29	
ACS355-03U-12A5-4	230	935	ES	6	
ACS355-03U-12A5-4+B063	235	1479	ES	29	
ACS355-03U-12A5-4+B063+F278	235	1849	ES	29	
ACS355-03U-15A6-4	230	1154	ES	6	
ACS355-03U-15A6-4+B063	235	1802	ES	29	
ACS355-03U-15A6-4+B063+F278	235	2253	ES	29	
ACS355-03U-17A6-2	229	669	ES	3	
ACS355-03U-17A6-2+B063	234	1460	ES	29	
ACS355-03U-17A6-2+B063+F278	234	1927	ES	29	
ACS355-03U-23A1-4	230	1475	ES	6	
ACS355-03U-24A4-2	229	873	ES	6	
ACS355-03U-31A0-2	229	1152	ES	10	
ACS355-03U-31A0-4	230	1800	ES	10	
ACS355-03U-38A0-4	230	2142	ES	10	
ACS355-03U-44A0-4	230	2602	ES	10	
ACS355-03U-46A2-2	229	1523	ES	10	
ACS55-01E-01A4-1	213	211	ES	2	
ACS55-01E-01A4-2	213	211	ES	2	
ACS55-01E-02A2-1	213	230	ES	2	
ACS55-01E-02A2-2	213	230	ES	2	
ACS55-01E-04A3-2	213	266	ES	2	
ACS55-01E-07A6-2	213	338	ES	2	
ACS55-01E-09A8-2	213	402	ES	2	
ACS55-01N-01A4-1	213	156	ES	2	
ACS55-01N-01A4-2	213	156	ES	2	
ACS55-01N-02A2-1	213	175	ES	2	
ACS55-01N-02A2-2	213	175	ES	2	
ACS55-01N-04A3-2	213	212	ES	2	
ACS55-01N-07A6-2	213	265	ES	2	
ACS55-01N-09A8-2	213	307	ES	2	
AEM2237-4	143	2942	L1	227	924M
AEM2238-4	143	3558	L1	245	932M
AEM2275-4	143	3338	L1	211	736M
AEM2276-4	143	4252	L1	299	954M
AEM2332-4	143	5218	L1	353	132M
AEM2333-4	143	4943	L1	312	942M
AEM2334-4	143	5960	L1	384	138M
AEM3683-4	143	1269	L1	79	617M
AEM3684-4	143	1601	L1	90	628M
AEM3686-4	143	1362	L1	86	623M
AEM3687-4	143	1771	L1	88	628M
AEM3689-4	143	1451	L1	95	628M

⁽¹⁾ Shipping weight is approximate.

Motor
Accessories

PT Components

Grinders

Baldor
Mod Express

ABB
Mod Express

ABB ATEX
Mod Express

Product
Index

Motor
Accessories

PT
Components

Grinders

Baldor
Mod Express

ABB
Mod Express

ABB ATEX
Mod Express

Product
Index

Catalog Number	Page Number	List Price	Mult Sym.	Ship Weight ⁽¹⁾	Type Code
AEM3782-4	143	1976	L1	180	722M
AEM3783-4	143	1675	L1	155	729M
AEM3784-4	143	2406	L1	155	727M
AEM3787-4	143	2193	L1	166	728M
AEM4100-4	143	6992	L1	497	1236M
AEM4102-4	143	8773	L1	513	124M
AEM4103-4	143	7597	L1	551	1246M
AEM4104-4	143	8583	L1	559	125M
AEM4111-4	143	9413	L1	878	A3652M
AEM4117-4	143	10918	L1	830	A3652M
AEM4307-4	143	10199	L1	874	A365M
AEM4308-4	143	13888	L1	1198	A452M
AEM4311-4	143	12282	L1	915	A3656M
AEM4312-4	143	16572	L1	1160	A448M
AEM4314-4	143	15008	L1	1294	A464M
AEM4316-4	143	18755	L1	1751	A4462M
AEM4400-4	143	20718	L1	1892	A4478M
AEM4403-4	143	19390	L1	1574	A4446M
AEM4404-4	143	26259	L1	1681	A4462M
AFL3520A	131	399	K	29	342L
AFL3521A	131	470	K	39	3524L
AFL3522A	131	651	L1	43	3528L
AFL3523A	131	795	L1	51	3535L
AFL3524A	131	829	L1	52	3535LC
AFL3525A	131	608	K	42	3528L
AFM3528	131	404	K	24	3413M
AFM3529	131	439	K	22	3416M
AFM3530	131	507	L1	30	3424M
AFM3532	131	672	L1	45	3528M
ANFL3501M	130	522	K	24	3414L
ANFL3504M	130	586	K	28	3421L
ANFL3507M	130	683	K	34	3428LC
ANFL3510M	130	843	K	41	3524L
ANFL3514M	130	1252	K	49	3532LC
AOM25904T	120	3194	L1	208	3936M
AOM3454	120	337	K	18	341M
AOM3455	120	529	K	19	3411M
AOM3458	120	376	K	18	341M
AOM3535	120	557	K	22	3414M
AOM3538	120	442	K	25	3413M
AOM3539	120	600	K	24	3418M
AOM3542	120	476	K	23	3416M
AOM3543	120	617	K	31	3428M
AOM3546T	120	495	L1	33	3428M
AOM3554T	120	515	L1	34	352M
AOM3556T	120	626	L1	35	352M
AOM3558T	120	546	L1	38	3523M
AOM3607T	120	716	L1	50	3617M
AOM3611T	120	640	L1	59	3622M
AOM3614T	120	768	L1	56	3627M
AOM3615T	120	740	L1	71	3634M
AOM3617T	120	1212	L1	62	3623M
AOM3702T	120	1839	L1	97	3724M
AOM3704T	120	962	L1	92	372M
AOM3705T	120	2010	L1	113	3744M
AOM3708T	120	1377	L1	115	3732M
AOM3710T	120	949	L1	106	3728M
AOM3714T	120	1150	L1	126	374M
AP231001	240	294	DS	4	238P
AP232001	240	322	DS	5	2314P

Catalog Number	Page Number	List Price	Mult Sym.	Ship Weight ⁽¹⁾	Type Code
AP233001	240	346	DS	5	2318P
AP233021	240	346	DS	5	2318P
AP7401	240	484	DS	12	2424P
AP7402	240	484	DS	12	2424P
AP7421	240	484	DS	10	2424P
AP7422	240	484	DS	12	2424P
ARB-1	428	97	A8	1	
ARB-2	428	136	A8	2	
ASM6207	138	3117	L1	105	6246M
ASM6210	138	3331	L1	108	6246M
ASM6215	138	3883	L1	117	626M
ASM7510	138	3883	L1	142	7535M
ASM7515	138	4189	L1	146	7544M
B102	429	100	A8	8	
B103	429	100	A8	6	
B125	424, 429	226	A8	22	
B126	424, 429	228	A8	22	
B1317V81	326	118	A8	2	
B13H71	326	67	A8	5	
B13J92	326	115	A8	3	
B13V81	326	117	A8	2	
B13V91	326	118	A8	3	
B143T	336, 337	137	A8	6	
B145T	336, 337	137	A8	7	
B147	424, 429	427	A8	42	
B148	424, 429	427	A8	41	
B15H71	326	47	A8	3	
B182T	336, 337	145	A8	10	
B184T	336, 337	145	A8	10	
B18H71	326	81	A8	6	
B18J92	326	118	A8	6	
B18V81	326	121	A8	3	
B18V91	326	122	A8	3	
B19H71	296, 309, 335	82	A8	1	
B2022V81	326	123	A8	3	
B213T	336, 337	168	A8	14	
B215T	336, 337	168	A8	15	
B21GH71	326	84	A8	5	
B21H71	326	87	A8	6	
B21J92	326	132	A8	7	
B21V81	326	132	A8	4	
B21V91	326	136	A8	6	
B24H71	326	105	A8	8	
B24J92	326	148	A8	9	
B24V81	326	148	A8	4	
B24V91	326	160	A8	6	
B2530V81	326	191	A8	4	
B254T	336, 337	276	A8	21	
B256T	336, 337	276	A8	21	
B26H71	326	117	A8	9	
B26J92	326	199	A8	10	
B26V81	326	199	A8	6	
B26V91	326	202	A8	9	
B284T	336, 337	314	A8	24	
B286T	336, 337	314	A8	24	
B30H71	326	133	A8	4	
B30V81	326	199	A8	8	
B30V91	326	202	A8	13	
B324T	336, 337	485	A8	34	
B326T	336, 337	485	A8	37	

⁽¹⁾ Shipping weight is approximate.

Catalog Number	Page Number	List Price	Mult Sym.	Ship Weight ⁽¹⁾	Type Code
B32H71	326	158	A8	13	
B32V81	326	234	A8	10	
B32V91	326	240	A8	13	
B3500V81	326	221	A8	5	
B364T	336, 337	604	A8	48	
B365T	336, 337	604	A8	50	
B38H71	326	189	A8	15	
B38V81	326	281	A8	38	
B38V91	326	295	A8	36	
B404T	336, 337	898	A8	62	
B405T	336, 337	898	A8	66	
B444T	336, 337	1097	A8	70	
B445T	336, 337	1097	A8	71	
B447T	336, 337	1293	A8	93	
B449T	336, 337	1293	A8	99	
B48T	336, 337	107	A8	3	
B5000RLS	337	1948	A8	149	
B5000RLS (1)	336	1948	A8	149	
B56T	336, 337	107	A8	5	
B66	429	41	A8	2	
B67	429	41	A8	2	
B73	429	57	A8	4	
B74	429	57	A8	3	
B80	429	67	A8	5	
B81	429	67	A8	4	
B92	302, 335	49	A8	1	
B93	302, 335	62	A8	1	
B94	335	84	A8	1	
BC138	258, 262	218	E9	1	
BC139	258, 262	218	E9	1	
BC140	258, 262	369	E9	3	
BC140-FBR	258, 262	510	E9	3	
BC141	259, 263	202	E9	1	
BC141-SIH	259	477	E9	3	
BC142	259, 263	202	E9	2	
BC142-5	259	225	E9	3	
BC142-6	259, 263	224	E9	1	
BC142-GSIH	259	499	E9	3	
BC142-SIH	259	499	E9	3	
BC143	258, 261	72	E9	2	
BC144	258	124	E9	1	
BC145	258, 260	211	E9	1	
BC147	258	30	E9	1	
BC148	258	13	E9	1	
BC149	258	15	E9	1	
BC152	258	193	E9	1	
BC153	260	223	E9	1	
BC154	260, 262	467	E9	5	
BC154-P	260	467	E9	3	
BC154-R	260	616	E9	3	
BC154-SI	260	751	E9	3	
BC155	259, 263	660	E9	5	
BC156	260	145	E9	1	
BC157	260	27	E9	1	
BC158	260	60	E9	1	
BC159	260	32	E9	1	
BC160	260, 262	537	E9	3	
BC200	261, 263	704	E9	4	
BC201	261, 263	836	E9	6	
BC203	261, 263	1052	E9	10	

(1) Shipping weight is approximate.

Catalog Number	Page Number	List Price	Mult Sym.	Ship Weight ⁽¹⁾	Type Code
BC204	261, 263	377	E9	3	
BC204-BPSI	261	487	E9	3	
BC212	261	216	E9	1	
BC215	261	100	E9	3	
BC216	261	77	E9	1	
BC218	258, 261	36	E9	1	
BC24-LF	258	75	E9	1	
BC245	261	213	E9	1	
BC253	261	27	E9	1	
BC254	260, 261	673	E9	5	
BC254-FBR	260, 261	706	E9	3	
BC258	261	60	E9	1	
BC259	261	27	E9	5	
BC354	260	723	E9	5	
BCWD140	260, 262	625	E9	6	
BKP2400	335	60	A8	1	
BL3507	151	1313	K	42	3428LC
BL3510	151	1390	K	52	3524L
BL3516	151	874	K	27	3414L
BL3517	151	921	K	27	3414L
BL3518	151	1000	K	32	3421L
BLWL05-L	209	814	E8	7	
BLWL06-L	209	917	E8	8	
BLWL07-L	209	962	E8	21	
BLWL09-L	209	988	E8	5	
BLWL10-L	209	1068	E8	35	
BLWL12-L	209	1134	E8	46	
BLWL14-L	209	1206	E8	55	
BLWM07-F	209	962	E8	20	
BLWM09-F	209	999	E8	30	
BLWM10-F	209	1068	E8	35	
BLWM12-F	209	1134	E8	46	
BLWM14-F	209	1219	E8	55	
BLWM16-F	209	1704	E8	70	
BLWM18-F	209	2387	E8	87	
BM2334T	151	6885	L1	273	76M
BM2353T	151	5010	L1	249	748M
BM2354T	151	5822	L1	273	76M
BM3108	153	908	K	27	3416M
BM3112	153	1057	K	31	342M
BM3116	153	1150	K	33	3424M
BM3538	151	964	K	31	342M
BM3538-S	149	1153	K	42	3511M
BM3539	151	1328	K	35	3418M
BM3542	151	1128	K	31	342M
BM3542-S	149	1198	K	48	3514M
BM3543	151	1394	K	39	3428M
BM3546	151	1309	K	38	3426M
BM3546-S	149	1242	K	47	3516M
BM3546T	151	1309	L1	39	3426M
BM3546T-S	149	1242	L1	51	3516M
BM3554	151	1469	K	47	3521M
BM3554T	151	1469	L1	47	3521M
BM3554T-S	149	1288	L1	56	3521M
BM3556T	151	1864	L1	46	352M
BM3558	151	1505	K	49	3523M
BM3558-D	147	1387	K	45	3524M
BM3558T	151	1505	L1	51	3523M
BM3558T-S	149	1321	L1	52	3524M
BM3568	151	839	K	26	3413M

Motor
Accessories

PT Components

Grinders

Baldor
Mod Express

ABB
Mod Express

ABB ATEX
Mod Express

Product
Index

Motor
Accessories

PT
Components

Grinders

Baldor
Mod Express

ABB
Mod Express

ABB
ATEX
Mod Express

Product
Index

Catalog Number	Page Number	List Price	Mult Sym.	Ship Weight ⁽¹⁾	Type Code
BM3569	151	887	K	27	3416M
BM3603	151	1814	L1	43	3514M
BM3606	151	1940	L1	50	352M
BM3609	151	2019	L1	53	3523M
BM3611T	151	2040	L1	67	3622M
BM3611T-S	149	1788	L1	78	3542M
BM3614T	151	2494	L1	77	3627M
BM3615T	151	2531	L1	90	3634M
BM3615T-S	149	2218	L1	95	3634M
BM3635T	151	2151	L1	90	3634M
BM3703	151	3050	L1	78	3622M
BM3704T	151	3695	L1	136	372M
BM3707	151	3730	L1	91	3634M
BM3710T	151	3253	L1	155	3728M
BM3714T	151	4139	L1	154	374M
BM3730T	151	3087	L1	155	3731M
BM3734T	151	3426	L1	158	374M
BM4103T	151	7290	L1	402	14M
BM4104T	151	10224	L1	453	144M
BNM3538-D	147	926	K	43	3512M
BNM3542-D	147	1259	K	47	3514M
BNM3546-D	147	1307	K	39	3524M
BNM3546T-D	147	1411	L1	58	3524M
BNM3554-D	147	1356	K	66	3526M
BNM3554T-D	147	1465	L1	65	3533M
BQ1-015-CC	429	1397	E7	4	
BQ1-015-CP	429	1040	E7	4	
BQ2-015-CC	429	1397	E7	4	
BQ2-015-CP	429	1040	E7	4	
BR0006	259	11	E9	1	
BR0010SP	259	11	E9	1	
BR0015SP	259	11	E9	1	
BR0025	259	24	E9	1	
BR0035	259	24	E9	1	
BR0050	259	24	E9	1	
BR0100	259	11	E9	1	
BR0101	259	24	E9	1	
BR0180	259	24	E9	1	
BR0250	259	24	E9	1	
BR0251	259	11	E9	1	
BR0350	259	24	E9	1	
BR0510	259	11	E9	1	
BR1000	259	11	E9	1	
BRMX01	325	67	A8	6	
BRMX02	325	117	A8	2	
BTG1000	256	559	DS	7	2318P
BTG100XPS	256	1021	N5	6	
BTG50XPS	256	1021	N5	5	
BTG60XPS-M	256	1021	N5	2	
BTGWD100XPS	256	1214	N5	2	
BTGWD50XPS	256	1214	N5	2	
BU100H012	328	139	A8	1	
BU100H014	328	139	A8	1	
BU100H015	328	158	A8	1	
BU107H015	328	170	A8	1	
BU107H100	328	170	A8	1	
BU107H102	328	170	A8	1	
BU107H103	328	170	A8	1	
BU107H104	328	170	A8	1	
BU107H105	328	170	A8	1	

Catalog Number	Page Number	List Price	Mult Sym.	Ship Weight ⁽¹⁾	Type Code
BU115H100	328	234	A8	4	
BU115H107	328	234	A8	1	
BU115H108	328	234	A8	1	
BU115H110	328	234	A8	1	
BU115H111	328	234	A8	1	
BU115H112	328	234	A8	1	
BX1	345	18	STB	4	
BX1-1/16	345	18	STB	3	
BX1-1/2	345	18	STB	3	
BX1-1/4	345	18	STB	3	
BX1-1/8	345	18	STB	3	
BX1-11/16	345	18	STB	2	
BX1-13/16	345	18	STB	2	
BX1-15/16	345	18	STB	2	
BX1-3/16	345	18	STB	3	
BX1-3/4	345	18	STB	3	
BX1-3/8	345	18	STB	3	
BX1-3/8KW3/8	345	18	STB	3	
BX1-5/16	345	18	STB	3	
BX1-5/8	345	18	STB	3	
BX1-7/16	345	18	STB	3	
BX1-7/8	345	18	STB	2	
BX1-9/16	345	18	STB	2	
BX1/2	345	18	STB	4	
BX11/16	345	18	STB	3	
BX13/16	345	18	STB	3	
BX15/16	345	18	STB	3	
BX2	345	18	STB	2	
BX2-1/16	345	18	STB	2	
BX2-1/4	345	18	STB	2	
BX2-1/8	345	18	STB	2	
BX2-3/16	345	18	STB	2	
BX2-3/8	345	18	STB	2	
BX2-5/16	345	18	STB	1	
BX2-7/16	345	18	STB	2	
BX3/4	345	18	STB	4	
BX5/8	345	18	STB	4	
BX7/8	345	18	STB	4	
BX9/16	345	18	STB	3	
C121	425	146	A8	3	
C18G2700	106	5991	S1	54	
C18G2701	106	6850	S1	256	
C18G2702	106	6347	S1	250	
C18G2703	106	7935	S1	260	
C18G2704	106	7935	S1	256	
C18G2730	106	5725	S1	225	
C18G2731	106	5725	S1	226	
C21G2701	106	9727	S1	350	
C21G2702	106	10566	S1	369	
C61	425	146	A8	5	
CB1814T	338	115	A8	2	
CB2118T	338	162	A8	2	
CB2521T	338	186	A8	6	
CB2825T	338	251	A8	7	
CB3228T	338	346	A8	9	
CB3632T	338	426	A8	12	
CB4036T	338	584	A8	20	
CBK003-1	155, 331	670	A8	12	
CBK006-1	155, 331	986	A8	12	
CBK006-2	155, 331	986	A8	12	

⁽¹⁾ Shipping weight is approximate.

Catalog Number	Page Number	List Price	Mult Sym.	Ship Weight ⁽¹⁾	Type Code
CBK010-1	155, 331	1150	A8	12	
CBK015-1	155, 331	2457	A8	12	
CBL015ZD-2	208	198	E8	1	
CBL030ZD-2	208	230	E8	1	
CBL046ZD-2	208	263	E8	2	
CBL061ZD-2	208	291	E8	2	
CBL091ZD-2	208	355	E8	3	
CBL152ZD-2	208	477	E8	6	
CBL229ZD-2	208	632	E8	8	
CBL305ZD-2	208	787	E8	8	
CBL3518-D	146	1215	K	52	352L
CBL3519-D	146	1350	K	56	3524L
CBL3597-D	146	1283	K	43	352L
CBL379ZD-2	208	943	E8	14	
CBL455ZD-2	208	1023	E8	2	
CBL606ZD-2	208	1407	E8	16	
CBLST2TL	209	400	E8	2	
CBLTL2ST	209	400	E8	2	
CBM3546T	152	1373	L1	42	3514M
CBM3554T	152	1539	L1	48	352M
CBM3558T	152	1582	L1	51	3523M
CBM3611T	152	2136	L1	72	3622M
CBM3615T	152	2670	L1	90	3634M
CBM3710T	152	3404	L1	160	3728M
CBM3714T	152	4372	L1	154	374M
CBM7006	154	3306	K	95	3512M
CBM7010	154	3682	K	93	3514M
CBM7014T	154	4244	L1	95	352M
CBM7023T	154	5137	L1	137	3628M
CBM7027T	154	7122	L1	215	3726M
CD1803R	246	9906	N2	212	
CD1805R	246	7266	N2	175	
CD2003P-2	253	6453	N2	170	
CD2003R-2	246	11067	N2	204	
CD2005P-2	253	6453	N2	170	
CD2005R-2	246	11067	N2	209	
CD2007P-2	253	7468	N2	222	
CD2007R-2	246	12042	N2	235	
CD2010P-2	253	8834	N2	250	
CD2015P-2	253	10458	N2	408	
CD2015R-BV	248	17153	N2	345	
CD2105R	246	14534	N2	355	
CD3425	245	699	K	24	3413D
CD3434	245	764	K	23	3413D
CD3450	245	868	K	28	342D
CD3451	245	868	K	28	342D
CD3475	245	1080	K	26	3428D
CD3476	245	1080	K	33	3428D
CD5318	245	1525	K	51	3535D
CD5319	245	1525	K	51	3535D
CD5333	245	1101	K	31	3513D
CD5350	245	1216	K	37	352D
CD5375	245	1432	K	46	3528D
CD6202	245	2698	L1	96	3646D
CD6203	245	3064	L1	133	3668D
CD6215	245	2281	L1	81	3636D
CD6218	245	2037	L1	64	3623D
CD6219	245	2037	L1	64	3623D
CD7502	245	4734	L1	108	3646D
CD7503	245	5035	L1	140	3668D

⁽¹⁾ Shipping weight is approximate.

Catalog Number	Page Number	List Price	Mult Sym.	Ship Weight ⁽¹⁾	Type Code
CDD1803R	246	6040	N2	160	
CDMG2310	254	10190	N2	250	
CDMG2320	254	18625	N2	620	
CDMG2325	254	20265	N2	886	
CDMG2333	254	25423	N2	880	
CDP3306	240	695	K	23	332P
CDP3310	240	695	K	23	332P
CDP3316	240	733	K	26	3327P
CDP3320	240	733	K	26	3327P
CDP3326	240	820	K	30	3336P
CDP3330	240	820	K	31	3336P
CDP3335	240	733	K	26	3327P
CDP3410-V12	244	747	K	30	3416P
CDP3410-V24	244	708	K	31	3416P
CDP3420-V12	244	820	K	31	3416P
CDP3420-V24	244	782	K	31	3416P
CDP3430-V12	244	850	K	32	342P
CDP3430-V24	244	810	K	35	3424P
CDP3436	240	996	K	28	3428P
CDP3440	240	996	K	37	3428P
CDP3440-V12	244	1220	K	40	343P
CDP3440-V24	244	845	K	34	3424P
CDP3443	240	881	K	34	342P
CDP3445	240	1211	K	43	3435P
CDP3445-V12	244	1765	K	43	3435P
CDP3445-V24	244	1757	K	43	3435P
CDP3450	240	996	K	28	3428P
CDP3455	240	1211	K	43	3435P
CDP3460	240	996	K	37	3428P
CDP3575	240	2231	L1	64	3536P
CDP3580	240	1941	L1	60	3524P
CDP3585	240	2662	L1	72	3548P
CDP3590	240	2231	L1	64	3536P
CDP3603	240	3278	L1	110	3649P
CDP3604	240	3260	L1	112	3649P
CDP3605	240	5564	L1	161	3688P
CDPSWD3406	242	1077	K	28	3413P
CDPSWD3410	242	1077	K	29	3413P
CDPSWD3426	242	1276	K	38	3428P
CDPSWD3430	242	1276	K	38	3428P
CDPSWD3545	242	1886	K	61	3536P
CDPSWD3555	242	1886	K	52	3536P
CDPT3306	241	1984	K	26	332P
CDPT3310	241	1984	K	26	332P
CDPT3316	241	2024	K	30	3327P
CDPT3320	241	2024	K	31	3327P
CDPT3326	241	2151	K	35	3336P
CDPT3330	241	2151	K	34	3336P
CDPT3436	241	2275	K	44	3428P
CDPT3440	241	2275	K	43	3428P
CDPT3445	241	2538	K	49	3435P
CDPT3455	241	2538	K	49	3435P
CDPT3575	241	3523	L1	68	3536P
CDPT3585	241	3953	L1	77	3548P
CDPT3603	241	4598	L1	120	3649P
CDPT3605	241	6878	L1	164	3681P
CDPWD3306	242	900	K	22	332P
CDPWD3310	242	900	K	23	332P
CDPWD3316	242	950	K	26	3327P
CDPWD3320	242	950	K	26	3327P

Motor
Accessories

PT Components

Grinders

Baldor
Mod Express

ABB
Mod Express

ABB ATEX
Mod Express

Product
Index

Motor
Accessories

PT
Components

Grinders

Baldor
Mod Express

ABB
Mod Express

ABB ATEX
Mod Express

Product
Index

Catalog Number	Page Number	List Price	Mult Sym.	Ship Weight ⁽¹⁾	Type Code
CDPWD3326	242	1068	K	30	3336P
CDPWD3330	242	1068	K	31	3336P
CDPWD3436	242	1289	K	37	3428P
CDPWD3440	242	1289	K	38	3428P
CDPWD3445	242	1572	K	43	3435P
CDPWD3455	242	1572	K	43	3435P
CDPWD3575	242	3008	L1	64	3536P
CDPWD3585	242	3590	L1	72	3548P
CDPWD3603	242	4595	L1	113	3649P
CDPWD3605	242	7783	L1	157	3681P
CDPX3406	241	1907	K	37	3413P
CDPX3410	241	1907	K	37	3413P
CDPX3416	241	2396	K	42	342P
CDPX3420	241	2396	K	43	342P
CDPX3426	241	2705	K	35	3428P
CDPX3430	241	2705	K	45	3428P
CDPX3436	241	3344	K	51	3435P
CDPX3440	241	3344	K	51	3435P
CDPX3545	241	4454	K	70	3536P
CDPX3555	241	4454	K	70	3536P
CDPX3575	241	4761	L1	80	3548P
CDX1850	245	2768	L1	102	3623D
CDX1875	245	3666	L1	102	3623D
CDX2001	245	4560	L1	102	3623D
CDX7100	245	3785	L1	103	3623D
CDX7150	245	5012	L1	120	3636D
CDX7200	245	5629	L1	134	3646D
CEBM3558T-D	147	1723	L1	61	3528M
CEBM3611T-D	147	2184	L1	103	3628M
CEBM3615T-D	147	2532	L1	121	3642M
CEBM3710T-D	147	3570	L1	127	3736M
CEBM3714T-D	147	4364	L1	165	3752M
CEBM7142T	154	6217	L1	240	
CEBM7144T	154	7489	L1	85	
CECP2276T	37	3059	SD	305	954M
CECP2294T	37	3505	SD	307	934M
CECP2332T	37	3913	SD	323	96M
CECP2333T	37	3344	SD	297	944M
CECP2333T-4	37	3344	SD	296	944M
CECP2334T	37	3544	SD	339	952M
CECP2334T-4	37	3544	SD	336	952M
CECP3581T	37	1099	SD	67	524M
CECP3582T	37	1211	SD	75	526M
CECP3584T	37	1121	SD	72	53M
CECP3587T	37	1166	SD	76	535M
CECP3660T	37	1436	SD	112	628M
CECP3661T	37	1505	SD	114	632M
CECP3663T	37	1744	SD	121	632M
CECP3664T	37	1422	SD	113	642M
CECP3665T	37	1529	SD	130	641M
CECP3667T	37	1407	SD	99	63M
CECP3764T	37	2072	SD	187	737M
CECP3768T	37	2098	SD	226	748M
CECP3769T	37	2345	SD	173	731M
CECP3770T	37	2000	SD	170	735M
CECP3771T	37	2482	SD	203	742M
CECP3774T	37	2354	SD	231	748M
CECP4100T	37	4856	SD	435	156M
CECP4102T	37	6384	SD	460	162M
CECP4103T	37	4684	SD	449	146M

Catalog Number	Page Number	List Price	Mult Sym.	Ship Weight ⁽¹⁾	Type Code
CECP4103T-4	37	4684	SD	440	15M
CECP4104T	37	5406	SD	478	16M
CECP4104T-4	37	5406	SD	475	16M
CECP4106T	37	3991	SD	333	944M
CECP4107T	37	4868	SD	372	95M
CECP4108T	37	5766	SD	454	142M
CECP4109T	37	7751	SD	571	124M
CECP4110T	37	6901	SD	628	126M
CECP4111T	37	6876	SD	626	126M
CECP4114T	37	8079	SD	639	1256M
CECP4115T	37	7941	SD	656	1272M
CECP4117T	37	8623	SD	640	1264M
CECP4308T	37	10627	SD	908	A3662M
CECP4312T	37	11260	SD	908	A3662M
CECP4400T-4	37	15928	SD	1388	A464M
CECP4406T-4	37	22059	SD	2138	A4478M
CECP4407T-4	37	26536	SD	2455	A4416M
CECP82276T-4	41	3311	SD	346	954M
CECP82332T-4	41	4268	SD	362	96M
CECP82333T-4	41	3465	SD	316	944M
CECP82333T-5	43, 165	3465	SD	309	944M
CECP82334T-4	41	3666	SD	356	96M
CECP82334T-5	43, 165	3666	SD	357	96M
CECP82394T-4	41	3549	SD	306	934M
CECP83580T-4	40	1087	SD	63	516M
CECP83581T-4	40	1190	SD	71	524M
CECP83581T-5	43, 165	1190	SD	71	524M
CECP83582T-4	40	1273	SD	69	526M
CECP83583T-4	40	1164	SD	71	524M
CECP83584T-4	40	1212	SD	75	53M
CECP83586T-4	40	1277	SD	80	535M
CECP83587T-4	40	1262	SD	78	535M
CECP83587T-5	43, 165	1262	SD	80	535M
CECP83660T-4	41	1552	SD	121	632M
CECP83661T-4	41	1644	SD	120	632M
CECP83661T-5	43, 165	1644	SD	122	632M
CECP83663T-4	41	1886	SD	139	643M
CECP83664T-4	40	1681	SD	120	642M
CECP83665T-4	41	1653	SD	131	641M
CECP83665T-5	43, 165	1653	SD	131	641M
CECP83667T-4	40	1461	SD	108	63M
CECP83764T-4	41	2246	SD	209	736M
CECP83768T-4	41	2298	SD	227	748M
CECP83769T-4	41	2445	SD	179	731M
CECP83770T-4	41	2094	SD	178	737M
CECP83770T-5	43, 165	2094	SD	211	737M
CECP83771T-4	41	2595	SD	225	742M
CECP83774T-4	41	2531	SD	231	748M
CECP83774T-5	43, 165	2531	SD	231	748M
CECP84100T-4	41	5162	SD	420	15M
CECP84102T-4	41	6756	SD	460	15M
CECP84103T-4	41	5145	SD	452	152M
CECP84103T-5	43, 165	5145	SD	444	152M
CECP84104T-4	41	5892	SD	485	16M
CECP84104T-5	43, 165	5892	SD	487	16M
CECP84106T-4	41	4025	SD	328	942M
CECP84107T-4	41	5490	SD	433	138M
CECP84108T-4	41	6395	SD	442	142M
CECP84109T-4	41	8505	SD	640	1256M
CECP84110T-4	41	7637	SD	638	126M

⁽¹⁾ Shipping weight is approximate.

Catalog Number	Page Number	List Price	Mult Sym.	Ship Weight ⁽¹⁾	Type Code
CECP84110T-5	43, 165	7637	SD	670	126M
CECP84111T-4	41	7609	SD	643	1264M
CECP84114T-4	41	8831	SD	670	1266M
CECP84115T-4	41	8790	SD	683	1272M
CECP84115T-5	43, 165	8790	SD	663	1272M
CECP84117T-4	41	9622	SD	640	1266M
CECP84308T-4	41	11670	SD	908	A3662M
CECP84310T-4	41	12655	SD	899	A3656M
CECP84312T-4	41	12362	SD	908	A3662M
CECP84313T-4	41	13898	SD	1007	A3668M
CECP84314T-4	41	11434	SD	906	A3662M
CECP84316T-4	41	13119	SD	992	A367M
CEFWWDM3546	64	1146	WD	37	3519M
CEFWWDM3546T	64	1170	WD	38	3519M
CEFWWDM3550	64	1230	WD	46	3528M
CEFWWDM3554T	64	1253	WD	43	3526M
CEM2333T	22	3339	LS	269	944M
CEM2333T-5	161	3339	LS	263	942M
CEM2334T	22	3409	L1	298	952M
CEM2334T-5	161	3409	L1	289	948M
CEM2394T	22	3119	L1	250	93M
CEM2513T	29	2399	L1	213	3938M
CEM2514T	29	2722	L1	194	3928M
CEM2515T	29	2921	L1	231	3944M
CEM2516T	29	3205	L1	219	3938M
CEM2531T	29	3742	L1	336	45M
CEM2535T	29	4037	L1	355	452M
CEM2539T	29	5318	L1	460	425M
CEM2543T	29	5788	L1	494	4256M
CEM2547T	29	7198	L1	632	4278M
CEM2551T	29	8625	L1	457	4462M
CEM2555T	29	9982	L1	945	4484M
CEM3116T	29	667	L1	35	3519M
CEM3154T	29	687	L1	37	3522M
CEM3157T	29	733	L1	41	3525M
CEM3158T	29	764	L1	46	353M
CEM3211T	29	866	L1	71	363M
CEM3212T	29	862	L1	64	3623M
CEM3218T	29	909	L1	87	364M
CEM3219T	29	1381	L1	77	3632M
CEM3311T	29	1367	L1	118	3733M
CEM3312T	29	1595	L1	121	3728M
CEM3313T	29	1622	L1	133	3739M
CEM3314T	29	2199	L1	128	3734M
CEM3538-BG	109	854	K	33	3513M
CEM3542-BG	109	881	K	37	3517M
CEM3545	21	667	K	33	3516M
CEM3546	21	672	K	36	3519M
CEM3546T	21	741	LS	36	3519M
CEM3546T-5	161	741	LS	37	3519M
CEM3546T-BG	109	907	L1	38	3519M
CEM3550	21	706	K	37	352M
CEM3550T	21	763	L1	40	352M
CEM3554	21	742	K	45	3526M
CEM3554T	21	769	LS	42	3526M
CEM3554T-5	161	769	LS	42	3526M
CEM3554T-BG	109	935	L1	41	3526M
CEM3555	21	773	K	46	3526M
CEM3555T	21	831	L1	44	3526M
CEM3556T	21	925	L1	43	3526M

⁽¹⁾ Shipping weight is approximate.

Catalog Number	Page Number	List Price	Mult Sym.	Ship Weight ⁽¹⁾	Type Code
CEM3558	21	784	K	46	353M
CEM3558T	21	796	LS	46	353M
CEM3558T-5	161	796	LS	47	3528M
CEM3558T-BG	109	962	L1	45	3528M
CEM3559T	22	927	L1	52	3532M
CEM3559T-5	161	927	L1	52	3532M
CEM3581T	21	972	L1	54	519M
CEM3581T-5	161	972	L1	54	519M
CEM3583T	21	1073	L1	55	52M
CEM3583T-5	161	1073	L1	54	52M
CEM3584T	21	1005	L1	60	526M
CEM3584T-5	161	1005	L1	63	526M
CEM3586T	21	1076	L1	60	526M
CEM3586T-5	161	1076	L1	60	526M
CEM3587T	21	1052	L1	62	527M
CEM3587T-5	161	1052	L1	61	527M
CEM3607T	21	1072	L1	77	3632M
CEM3610T	22	954	L1	50	3532M
CEM3610T-5	161	954	L1	58	3532M
CEM3611T	22	912	LS	75	3631M
CEM3611T-5	161	912	LS	75	3631M
CEM3611T-BG	109	1109	L1	70	3631M
CEM3613T	22	1051	L1	78	363M
CEM3613T-5	161	1051	L1	78	363M
CEM3614T	21	1106	L1	97	3644M
CEM3615T	22	991	LS	93	3642M
CEM3615T-5	161	991	LS	93	3642M
CEM3615T-BG	109	1188	L1	93	3642M
CEM3616T	22	1361	L1	101	3646M
CEM3660T	22	1196	L1	90	619M
CEM3660T-5	161	1196	L1	89	619M
CEM3661T	22	1226	L1	104	632M
CEM3661T-5	161	1226	L1	102	632M
CEM3663T	22	1450	L1	91	624M
CEM3663T-5	161	1450	L1	95	624M
CEM3664T	21	1335	L1	115	642M
CEM3665T	22	1252	L1	114	641M
CEM3665T-5	161	1252	L1	113	641M
CEM3704T	22	1484	L1	141	3739M
CEM3708T	22	1648	L1	161	3748M
CEM3709T	22	1604	L1	120	3728M
CEM3710T	22	1460	LS	134	3736M
CEM3710T-5	161	1460	LS	129	3736M
CEM3711T	22	1620	L1	121	3729M
CEM3711T-5	161	1620	L1	123	3729M
CEM3713T	22	2229	L1	182	3752M
CEM3713T-5	161	2229	L1	169	3752M
CEM3714T	22	1629	LS	165	3752M
CEM3714T-5	161	1629	LS	165	3752M
CEM3764T	22	1736	L1	173	735M
CEM3768T	22	1983	L1	190	746M
CEM3769T	22	1759	L1	155	726M
CEM3769T-5	161	1759	L1	179	724M
CEM3770T	22	1703	L1	170	735M
CEM3770T-5	161	1703	L1	170	735M
CEM3771T	22	2028	L1	182	729M
CEM3771T-5	161	2028	L1	182	729M
CEM3774T	22	1886	L1	195	748M
CEM3774T-5	161	1886	L1	231	748M
CEM4103T	22	4508	L1	527	146M

Motor
Accessories

PT Components

Grinders

Baldor
Mod Express

ABB
Mod Express

ABB ATEX
Mod Express

Product
Index

Motor
Accessories

PT Components

Grinders

Baldor
Mod Express

ABB
Mod Express

ABB ATEX
Mod Express

Product
Index

Catalog Number	Page Number	List Price	Mult Sym.	Ship Weight ⁽¹⁾	Type Code
CEM4103T-5	161	4508	L1	401	152M
CEM4104T	22	5194	L1	422	156M
CEM4104T-5	161	5160	L1	449	16M
CEM4106T	22	3365	L1	265	936M
CEM4107T	22	4441	L1	346	95M
CEM4108T	22	4955	L1	389	142M
CEM4109T	22	6763	L1	600	124M
CEM4110T	22	6619	L1	578	1254M
CEM4114T	22	7314	L1	591	1252M
CEM4115T	22	7148	L1	630	1272M
CEM4310T	22	9998	L1	830	A3648M
CEM4313T	22	11472	L1	905	A3652M
CEM4314T	22	9966	L1	915	A3662M
CEM4316T	22	11485	L1	907	A3668M
CEM4400T	22	15168	L1	1360	A464M
CEM7013T-I	83	1376	SD	41	3516M
CEM7013T-I-5	83, 171	1376	SD	41	3516M
CEM7014T	78	1342	L1	45	3519M
CEM7014T-I	83	1375	SD	51	3519M
CEM7014T-I-5	83, 171	1375	SD	48	3524M
CEM7018T	78	1328	L1	45	352M
CEM7018T-I	83	1386	SD	47	352M
CEM7020T-I	83	2264	SD	102	3632M
CEM7026T-I	84	1928	SD	80	3622M
CEM7026T-I-5	84, 171	1928	SD	80	3622M
CEM7032T-I	83	1514	SD	49	3526M
CEM7034T	78	1453	L1	52	3526M
CEM7034T-I	83	1563	SD	61	3526M
CEM7036T-I	84	2529	SD	175	3739M
CEM7037T	79	1539	L1	56	353M
CEM7037T-I	83	1657	SD	66	353M
CEM7037T-I-5	83, 171	1657	SD	76	3535M
CEM7040T-I	84	3209	SD	180	3748M
CEM7041T-I	83	2323	SD	105	3644M
CEM7042T	79	1866	L1	97	3631M
CEM7042T-I	84	1866	SD	117	3631M
CEM7042T-I-5	84, 171	1866	SD	108	3631M
CEM7044T	79	2256	L1	119	3642M
CEM7044T-I	84	2256	SD	136	3643M
CEM7044T-I-5	84, 171	2256	SD	115	3643M
CEM7045T	79	2887	L1	166	3728M
CEM7045T-I	84	2748	SD	149	3728M
CEM7045T-I-5	84, 172	2748	SD	149	3728M
CEM7047T	79	2646	L1	161	3736M
CEM7047T-I	84	2646	SD	161	3736M
CEM7047T-I-5	84, 172	2646	SD	161	3736M
CEM7048T-I	84	4749	SD	393	95M
CEM7053T	79	3419	L1	357	93M
CEM7053T-I	84	4554	SD	349	934M
CEM7053T-I-5	84, 172	4554	SD	370	934M
CEM7054T	79	5324	L1	376	942M
CEM7054T-I	84	5324	SD	385	942M
CEM7054T-I-5	84, 172	5324	L1	370	942M
CEM7056T	79	6310	L1	376	952M
CEM7056T-I	84	6310	SD	409	952M
CEM7056T-I-5	84, 172	6310	SD	393	952M
CEM7057T-I	84	8317	L1	552	142M
CEM7058T	79	7727	L1	647	15M
CEM7058T-I	84	7727	SD	563	15M
CEM7058T-I-5	84, 172	7727	SD	600	15M

Catalog Number	Page Number	List Price	Mult Sym.	Ship Weight ⁽¹⁾	Type Code
CEM7059T	79	5458	L1	369	936M
CEM7059T-I	84	5458	SD	413	95M
CEM7059T-I-5	84, 172	5458	SD	409	95M
CEM7060T	79	8967	L1	552	156M
CEM7060T-I	84	8967	SD	572	156M
CEM7060T-I-5	84, 172	8927	SD	550	156M
CEM7062T	79	11961	L1	699	1254M
CEM7062T-I	84	11961	SD	721	1254M
CEM7062T-I-5	84, 172	11961	SD	720	1254M
CEM7063T	79	7197	L1	512	138M
CEM7063T-I	84	7199	SD	445	138M
CEM7063T-I-5	84, 172	7199	SD	570	138M
CEM7064T	79	13601	L1	746	1272M
CEM7064T-I	84	13601	SD	771	1276M
CEM7064T-I-5	84, 172	13601	SD	841	1276M
CEM7065T-I	84	5436	SD	412	956M
CEM7066T-I	84	15388	SD	910	A3662M
CEM7067T-I	84	10966	SD	750	1252M
CEM7067T-I-5	84, 172	10966	SD	761	1252M
CEM7068T-I	84	15909	SD	977	A3668M
CEM7071T	79	1325	L1	53	3526M
CEM7071T-I	83	1506	SD	55	3526M
CEM7071T-I-5	83, 171	1506	SD	55	3526M
CEM7072T	79	2167	L1	101	363M
CEM7072T-I	84	2318	SD	91	3634M
CEM7072T-I-5	84, 171	2318	SD	91	3634M
CEM7073T	79	2544	L1	124	3646M
CEM7075T	79	1643	L1	61	3532M
CEM7079T-I	84	8493	SD	475	156M
CEM7080T-I	84	11722	SD	766	1264M
CEM7081T-I	84	13368	SD	766	1264M
CEM7081T-I-5	84, 172	13368	SD	766	1264M
CEM7082T-I	84	10850	SD	741	126M
CEM7083T-I	84	8157	SD	495	146M
CEM7083T-I-5	84, 172	8157	SD	495	146M
CEM7084T-I	84	13472	SD	886	A3664M
CEM7090T-I	84	19650	SD	1375	A472M
CEM7170T	79	3219	L1	249	748M
CEM7170T-I	84	3219	SD	252	75M
CEM7170T-I-5	84, 172	3219	SD	252	75M
CEM7174T	79	3151	L1	235	729M
CEM7174T-I	84	3172	SD	212	729M
CEM7174T-I-5	84, 172	3172	SD	212	729M
CENC83580T-4	40	1039	SD	61	52M
CENC83581T-4	40	1130	SD	64	524M
CESSWDM23933T	68	6245	WD	293	3956M
CESSWDM23934T	68	7242	WD	299	396M
CESSWDM23994T	68	6345	WD	293	3952M
CESSWDM3546T	68	1426	WD	52	3524M
CESSWDM3546T-5	68, 167	1426	WD	51	3524M
CESSWDM3550T	68	1419	WD	56	3532M
CESSWDM3550T	68	1431	WD	60	3532M
CESSWDM3554T	68	1453	WD	55	3528M
CESSWDM3554T-5	68, 167	1453	WD	56	3528M
CESSWDM3555T	68	1734	WD	64	3535M
CESSWDM3558T	68	1746	WD	64	3536M
CESSWDM3558T-5	68, 167	1746	WD	64	3536M
CESSWDM3559T	68	2089	WD	74	3546M
CESSWDM3559T-5	68, 167	2089	WD	73	3546M
CESSWDM3610T	68	2231	WD	90	3624M

⁽¹⁾ Shipping weight is approximate.

Catalog Number	Page Number	List Price	Mult Sym.	Ship Weight ⁽¹⁾	Type Code
CESSWDM3611T	68	2041	WD	94	3635M
CESSWDM3611T-5	68, 167	2041	WD	92	3631M
CESSWDM3613T	68	2374	WD	106	3636M
CESSWDM3613T-5	68, 167	2374	WD	106	3636M
CESSWDM3615T	68	2297	WD	112	3646M
CESSWDM3615T-5	68, 167	2297	WD	112	3646M
CESSWDM3709T	68	2786	WD	166	3735M
CESSWDM3710T	68	2873	WD	137	3739M
CESSWDM3711T	68	3109	WD	184	3744M
CESSWDM3714T	68	3169	WD	190	3756M
CESSWDM41906T	68	7283	WD	312	396M
CESWDM3546	67	1150	WD	40	3524M
CESWDM3554T	67	1205	WD	50	3533M
CESWDM3555T	67	1427	WD	52	3532M
CESWDM3558T	67	1479	WD	56	3536M
CESWDM3559T	67	1756	WD	62	354M
CESWDM3611T	67	1809	WD	79	3632M
CESWDM3613T	67	2227	WD	88	3636M
CESWDM3615T	67	2105	WD	92	3642M
CESWDM3709T	67	2811	WD	134	3735M
CESWDM3710T	67	2590	WD	135	3739M
CESWDM3711T	67	3116	WD	154	3744M
CESWDM3714T	67	2947	WD	165	3752M
CEUHM3546T	145	681	L1	39	3519M
CEUHM3554T	145	719	L1	45	3526M
CEUHM3558T	145	792	L1	50	3528M
CEUHM3611T	145	926	L1	73	3631M
CEUHM3615T	145	1017	L1	94	3642M
CEWAM358T	49	1343	SD	52	3528M
CEWAM3559T	49	1450	SD	59	3532M
CEWAM3611T	49	1577	SD	90	3631M
CEWAM3613T	49	1602	SD	97	3634M
CEWAM3615T	49	1785	SD	108	3642M
CEWAM3704T	49	2075	SD	154	3739M
CEWAM3708T	49	2599	SD	181	375M
CEWAM3709T	49	2387	SD	138	3728M
CEWAM3710T	49	2358	SD	150	3736M
CEWAM3711T	49	2408	SD	138	3729M
CEWAM3714T	49	2601	SD	185	3752M
CEWDBM3538	65, 154	2025	WD	42	3516M
CEWDBM3542	65, 154	2188	WD	42	3517M
CEWDBM3546	65, 154	2246	WD	50	3524M
CEWDBM3546T	65, 154	2269	WD	51	3524M
CEWDBM3554T	65, 154	2444	WD	61	3533M
CEWDBM3558T	65, 154	2487	WD	60	3528M
CEWDBM3611T	65, 154	3009	WD	93	3631M
CEWDBM3615T	65, 154	3635	WD	110	3642M
CEWDM22976T	60	3861	WD	280	3954M
CEWDM23932T	60	4389	WD	289	3956M
CEWDM23933T	60	5172	WD	256	3942M
CEWDM23933T-5	62, 166	5172	WD	258	3942M
CEWDM23934T	60	5998	WD	283	3952M
CEWDM23934T-5	62, 166	5998	WD	289	3952M
CEWDM23994T	60	5255	WD	188	3752M
CEWDM3545	60	1039	WD	33	3516M
CEWDM3546	60	1044	WD	41	3524M
CEWDM3546-5	62, 166	1044	WD	39	3524M
CEWDM3546T	60	1065	WD	37	3524M
CEWDM3546T-5	62, 166	1065	WD	38	3524M
CEWDM3550	60	1068	WD	46	3528M

⁽¹⁾ Shipping weight is approximate.

Catalog Number	Page Number	List Price	Mult Sym.	Ship Weight ⁽¹⁾	Type Code
CEWDM3554T	60	1115	WD	48	3533M
CEWDM3554T-5	62, 166	1115	WD	46	3533M
CEWDM3555	60	1155	WD	35	3526M
CEWDM3555T	60	1178	WD	45	3526M
CEWDM3556	60	1172	WD	43	3526M
CEWDM3558T	60	1229	WD	46	3528M
CEWDM3558T-5	62, 166	1229	WD	46	3528M
CEWDM3559T	60	1451	WD	60	3532M
CEWDM3559T-5	62, 166	1451	WD	52	3532M
CEWDM3610T	60	1368	WD	57	3532M
CEWDM3611T	60	1614	WD	78	3631M
CEWDM3611T-5	62, 166	1614	WD	77	3631M
CEWDM3613T	60	1920	WD	80	363M
CEWDM3613T-5	62, 166	1920	WD	70	363M
CEWDM3614T	60	1441	WD	93	3644M
CEWDM3615T	60	1829	WD	96	3642M
CEWDM3615T-5	62, 166	1829	WD	94	3642M
CEWDM3616T	60	2282	WD	101	3646M
CEWDM3704T	60	1899	WD	136	3739M
CEWDM3708T	60	2249	WD	161	3748M
CEWDM3709T	60	2705	WD	143	3728M
CEWDM3710T	60	2314	WD	132	3736M
CEWDM3710T-5	62, 166	2314	WD	195	3736M
CEWDM3711T	60	2977	WD	122	3729M
CEWDM3713T	60	3741	WD	174	3752M
CEWDM3714T	60	2630	WD	165	3752M
CEWDM3714T-5	62, 166	2630	WD	165	3752M
CEWDM41906T	60	6031	WD	274	394M
CEWDM3558T	60	1200	WD	54	3538M
CEWDM23933T	64	5535	WD	255	3942M
CEWDM23934T	64	6418	WD	286	3952M
CEWDM23994T	64	5623	WD	240	3936M
CEWDM3545	64	1112	WD	34	3516M
CEWDM3555	64	1236	WD	41	3526M
CEWDM3555T	64	1261	WD	41	3526M
CEWDM3558T	64	1316	WD	48	3528M
CEWDM3559T	64	1553	WD	61	3532M
CEWDM3610T	64	1464	WD	75	3628M
CEWDM3611T	64	1727	WD	81	3631M
CEWDM3613T	64	2055	WD	83	363M
CEWDM3615T	64	1958	WD	97	3642M
CEWDM3616T	64	2442	WD	104	3646M
CEWDM3709T	64	2895	WD	121	3728M
CEWDM3710T	64	2476	WD	127	3736M
CEWDM3711T	64	3186	WD	118	3729M
CEWDM3713T	64	4003	WD	169	3752M
CEWDM3714T	64	2815	WD	165	3752M
CEWDM41906T	64	6454	WD	260	394M
CFDL3501M	126	578	K	24	3414L
CFDL3504M	126	661	K	28	3421L
CFDL3507M	126	768	K	39	3432LC
CFDL3510M	126	867	K	47	3524L
CFDL3514M	126	975	K	51	3532LC
CFDL3516TM	126	1236	K	53	3535LC
CFM3036A	121	566	K	25	3418M
CFM3046A	121	614	K	33	3428M
CFM3136A	121	586	K	28	3516M
CFM3146A	121	633	K	33	352M
CFM3156A	121	722	K	38	3522M
CFM3166A	121	785	K	48	3535M

Motor
Accessories

PT Components

Grinders

Baldor
Mod Express

ABB
Mod Express

ABB ATEX
Mod Express

Product
Index

Catalog Number	Page Number	List Price	Mult Sym.	Ship Weight ⁽¹⁾	Type Code
CHC144A	124	347	K	21	3411C
CHC164A	124	403	K	19	3411C
CHC244A	124	387	K	22	3414C
CHC264A	124	467	K	23	3416C
CHC3413A	132	399	K	22	3414C
CHC3414A	132	471	K	24	3418C
CHC3416A	132	434	K	25	3418C
CHC3417A	132	543	K	26	3421C
CHC345A	124	438	K	27	342C
CHC3524A	132	487	K	28	3421C
CHC3525A	132	623	K	40	3528C
CHC3526A	132	771	K	50	3535C
CHC3528A	132	738	K	50	3535C
CHC365A	124	504	K	34	3428C
CHC445A	124	499	K	35	3428C
CHC545A	124	534	K	39	1924C
CHC565A	124	722	K	51	1935C
CHL3523A	132	487	K	28	3421L
CHM164A	124	408	K	20	3411M
CHM264A	124	435	K	19	3414M
CHM344A	124	416	K	23	3416M
CHM345A	124	419	K	24	3416M
CHM364A	124	473	K	25	3418M
CHM365A	124	477	K	28	3418M
CHM465A	124	545	K	34	3428M
CHM545A	124	526	K	35	3428M
CHM565A	124	620	K	40	1924M
CJL1205A	92	308	K	23	3416L
CJL1301A	92	462	K	23	3414L
CJL1303A	92	320	K	30	342L
CJL1304A	92	522	K	25	3418L
CJL1306A	92	408	K	30	3424L
CJL1307A	92	599	K	35	352L
CJL1309A	92	418	K	32	3428L
CJL1313A	92	580	K	37	3432LC
CJL1317A	92	776	K	45	3528L
CJL3501A	91	423	K	23	3414L
CJL3504A	91	498	K	28	3421L
CJL3507A	91	607	K	35	3428LC
CJL3509A	91	614	K	41	3524L
CJL3513A	91	675	K	47	3528L
CJL3515A	91	793	K	53	3535L
CJM3104	94	383	K	22	3413M
CJM3107	94	351	K	22	3413M
CJM3108	94	428	K	24	3416M
CJM3111	94	401	K	28	3416M
CJM3112	94	459	K	27	342M
CJM3115	94	448	K	29	342M
CJM3120	94	546	K	31	3424M
CJM3155	94	649	K	34	343M
CJM3158	94	768	K	41	3524M
CJM3538	93	475	K	23	3416M
CJM3542	93	503	K	25	342M
CJWDM3463	65, 95	639	WD	33	3513M
CJWDM3545	65, 95	774	WD	35	3516M
CJWDM3550	65, 95	807	WD	38	352M
CJWDM3555	65, 95	910	WD	43	3524M
CJWDM3559	65, 95	1114	WD	48	3528M
CL1301	16	369	K	23	3414L
CL1303	16	327	K	22	3413L

Catalog Number	Page Number	List Price	Mult Sym.	Ship Weight ⁽¹⁾	Type Code
CL1304	16	420	K	25	3418L
CL1307	16	481	K	33	3428L
CL1310	16	553	K	34	352L
CL1408TM	16, 137	1012	L1	80	3634LC
CL1410TM	16, 137	1220	L1	88	364LC
CL3403	12	363	K	22	3411L
CL3405	12	362	K	21	3413L
CL3501	12	379	K	23	3414L
CL3503	12	380	K	23	3413L
CL3504	12	443	K	28	3421L
CL3506	12	423	K	29	3424L
CL3507	12	529	K	34	3428LC
CL3509	12	489	K	36	352L
CL3510	12	597	K	40	3524L
CL3513	12	633	K	46	3528L
CL3514	12	708	K	51	3532LC
CL3515	12	816	K	50	3535L
CL3515T	12	823	L1	53	3535L
CL3516TM	12, 137	1052	L1	53	3535LC
CL3608TM	12, 137	1482	L1	92	364LC
CL3612TM	12, 137	1434	L1	102	3646LC
CL3619TM	12, 137	1368	L1	81	3634LC
CL3711T	12	2409	L1	167	3744LC
CL3712T	12	2438	L1	171	3748LC
CL5001-I	86	911	K	47	3513L
CL5001A	78	827	K	30	3414L
CL5001A-50	192	911	K	35	3421L
CL5003A	78	726	K	35	3416L
CL5004-I	86	912	K	53	352L
CL5004A	78	828	K	36	3424L
CL5004A-50	192	912	K	45	3428L
CL5007-I	86	974	K	60	3528L
CL5007A	78	924	K	49	3524L
CL5007A-50	192	1061	K	52	3528L
CL5009A	78	824	K	50	3524L
CL5013	78	2095	L1	83	3628L
CL5018	78	3355	L1	154	3735L
CL5020	78	4271	L1	170	3744LC
CL5023-50	192	1122	K	56	3532L
CL5023-I	86	1049	K	66	3532L
CL5023A	78	1049	K	49	3524L
CL5027T	78	2162	L1	99	3634L
CL5027T-50	192	2485	L1	121	3646L
CL5028T	78	2187	L1	100	3634L
CL5030T	78	1291	L1	53	3528L
CL5031T	78	1476	L1	60	3535L
CM3104	29	326	K	21	3413M
CM3107	29	340	K	20	341M
CM3108	29	369	K	23	3416M
CM3112	29	416	K	27	342M
CM3155	29	603	K	33	3428M
CM3534	21	377	LS	21	3413M
CM3534-5	161	377	LS	21	3413M
CM3537	21	392	K	20	341M
CM3538	21	417	LS	23	3416M
CM3538-5	161	417	LS	23	3416M
CM3538-8	156	473	K	23	3416M
CM3539	21	612	K	23	3418M
CM3541	21	428	K	22	3413M
CM3542	21	443	LS	26	342M

⁽¹⁾ Shipping weight is approximate.

Catalog Number	Page Number	List Price	Mult Sym.	Ship Weight ⁽¹⁾	Type Code
CM3542-5	161	443	LS	26	342M
CM3543	21	624	K	23	3428M
CM3545	21	498	K	24	3416M
CM3546	21	476	K	31	3426M
CM3546-5	161	476	K	29	3424M
CM3546-8	156	478	K	29	3424M
CM3550	21	541	K	30	3424M
CM3554	21	518	K	35	352M
CM3554-5	161	518	K	35	352M
CM3555	21	605	K	33	3428M
CM3555/35	21	679	K	43	3526M
CM3556	21	634	K	35	352M
CM3557	21	723	K	46	3529M
CM3558	21	555	K	40	3523M
CM3558-5	161	555	K	41	3523M
CM3559	22	699	K	45	3528M
CM7005A	78	867	K	27	341M
CM7006-57	192	994	K	36	342M
CM7006-I	83	938	SD	52	3512M
CM7006A	78	938	K	30	3416M
CM7009A	78	895	K	29	3413M
CM7010-57	192	1017	K	42	3428M
CM7010-I	83	956	SD	50	3514M
CM7010A	78	956	K	34	342M
CM7013	78	936	K	31	3416M
CM7013-57	192	1028	K	34	342M
CM7014	78	1020	K	40	3514M
CM7014-57	192	1087	K	45	3432M
CM7014-I	83	1020	SD	52	3516M
CM7018T-57	192	1169	L1	45	352M
CM7034	78	1087	K	45	352M
CM7034T-57	192	1198	L1	36	3521M
CM7037	79	1177	K	49	3523M
CM7037T-57	192	1293	L1	48	3534M
CM7071T-57	192	1209	L1	50	3524M
CM8001	48	637	SD	29	3416M
CM8002	48	795	SD	33	342M
CM8003	48	865	SD	38	3426M
CM8004	48	947	SD	42	352M
CM8537	48	611	SD	26	341M
CM8539	48	829	SD	30	3418M
CM8543	48	977	SD	38	3428M
CM8556	48	1043	SD	43	352M
CNL20082	144	256	DS	12	2514C
CNL20134	144	279	DS	13	252C
CNL20172	144	288	DS	13	2524C
CNM20132	144	311	DS	8	251M
CNM20134	144	337	DS	10	2516M
CNM20252	144	346	DS	12	252M
CNM3454/35	21	524	K	31	3513M
CNM3457	21	385	K	21	341M
CNM3531	21	666	K	31	3516M
CNM3538/35	21	536	K	28	3512M
CNM3539	21	654	K	40	3524M
CNM3542	21	481	K	31	3514M
CNM3546	21	549	K	40	3524M
CP400608LR-4	35	135379	LM	10000	
CP400706LR-4	35	140075	LM	10000	
CP400708LR-4	35	186010	LM	10000	
CP400806LR-4	35	183854	LM	10000	

Catalog Number	Page Number	List Price	Mult Sym.	Ship Weight ⁽¹⁾	Type Code
CP500808LR-4	35	218488	LM	18500	
CP50356LR-4	35	85043	LM	5060	
CP50358LR-4	35	86801	LM	5867	
CP50402S-4	35	80892	LM	4850	
CP50406LR-4	35	91978	LM	5867	
CP50408LR-4	35	92256	LM	5867	
CP50454L-4	35	76700	LM	5550	
CP50456LR-4	35	96916	LM	6000	
CP50458LR-4	35	114806	LM	6000	
CP50504L-4	35	80768	LM	5550	
CP50506LR-4	35	101595	LM	6069	
CP50508LR-4	35	120606	LM	6069	
CP50602S-4	35	89698	LM	4850	
CP50604L-4	35	84911	LM	5809	
CP50606LR-4	35	121254	LM	6069	
CP50704S-4	35	88771	LM	5867	
CP50804S-4	35	94325	LM	6100	
CP58702S-4	35	120277	LM	10000	
CP58802S-4	35	128522	LM	10000	
CR4408TR-4	46	26090	SD	2542	A4416M
CR44256TR-4	46	36933	SD	2839	A44128M
CR44304TR-4	46	35303	SD	2645	A4412M
CR44354TR-4	46	41906	SD	2880	A44144M
CR49256TR-4	46	36933	SD	2648	A44128M
CR49306TR-4	46	48040	SD	3683	A4428M
CSPM3545	144	2997	K	34	
CSPM3546T	144	3299	L1	37	352M
CSPM3555T	144	3495	L1	60	
CSPM3558T	144	3735	L1	55	353M
CSPM3611T	144	4457	L1	70	3544M
CSSEWDFM3546T	70	1560	WD	60	3525M
CSSEWDFM3554T	70	1574	WD	62	3533M
CSSEWDFM3558T	70	1897	WD	73	3538M
CSSEWDFM3611T	70	2283	WD	111	3635M
CSSEWDFM3615T	70	2493	WD	122	3646M
CSSEWDM3537	70	1412	WD	46	3516M
CSSEWDM3537-5	72, 167	1412	WD	35	3516M
CSSEWDM3538	70	1433	WD	50	3516M
CSSEWDM3538-5	72, 167	1433	WD	35	3516M
CSSEWDM3539	70	1721	WD	37	3522M
CSSEWDM3541	70	1459	WD	53	352M
CSSEWDM3542	70	1481	WD	58	3521M
CSSEWDM3542-5	72, 167	1481	WD	40	3521M
CSSEWDM3543	70	1769	WD	63	353M
CSSEWDM3545	70	1532	WD	59	3524M
CSSEWDM3546	70	1547	WD	59	3525M
CSSEWDM3546-5	72, 167	1547	WD	43	3525M
CSSEWDM3546T	70	1560	WD	59	3525M
CSSEWDM3546T-5	72, 167	1560	WD	43	3525M
CSSEWDM3550	70	1552	WD	62	3532M
CSSEWDM3550T	70	1565	WD	63	3532M
CSSEWDM3554	70	1559	WD	66	3533M
CSSEWDM3554-5	72, 167	1559	WD	64	3533M
CSSEWDM3554T	70	1574	WD	68	3533M
CSSEWDM3554T-5	72, 167	1574	WD	50	3533M
CSSEWDM3555	70	1857	WD	68	3535M
CSSEWDM3555T	70	1870	WD	71	3535M
CSSEWDM3556	70	1829	WD	73	3537M
CSSEWDM3558	70	1884	WD	72	3538M
CSSEWDM3558-5	72, 167	1884	WD	72	3538M

⁽¹⁾ Shipping weight is approximate.

Motor
AccessoriesPT
Components

Grinders

Mod Express
BaldorMod Express
ABBMod Express
ABB ATEXProduct
Index

Catalog Number	Page Number	List Price	Mult Sym.	Ship Weight ⁽¹⁾	Type Code
CSSEWDM3558T	70	1897	WD	73	3538M
CSSEWDM3558T-5	72, 167	1897	WD	72	3538M
CSSEWDM3559T	70	2267	WD	81	3546M
CSSEWDM3559T-5	72, 167	2267	WD	81	3546M
CSSEWDM3611T	70	2283	WD	112	3635M
CSSEWDM3611T-5	72, 167	2283	WD	112	3635M
CSSEWDM3613T	70	2474	WD	108	3634M
CSSEWDM3613T-5	72, 167	2474	WD	110	3634M
CSSEWDM3614T	70	2251	WD	91	3646M
CSSEWDM3615T	70	2493	WD	124	3646M
CSSEWDM3615T-5	72, 167	2493	WD	125	3646M
CSSEWDM3709T	70	3104	WD	178	3735M
CSSEWDM3710T	70	3168	WD	189	3739M
CSSEWDM3711T	70	3520	WD	202	3744M
CSSEWDM3713T	70	5279	WD	187	3756M
CSSEWDM3714T	70	3730	WD	187	3756M
CSSWDM3457	68	1054	WD	33	3513M
CSSWDM3534	68	1109	WD	33	3512M
CSSWDM3537	68	1245	WD	36	3513M
CSSWDM3538	68	1336	WD	37	3513M
CSSWDM3538-5	68, 167	1336	WD	37	3513M
CSSWDM3541	68	1287	WD	43	3518M
CSSWDM3542	68	1383	WD	42	3519M
CSSWDM3542-5	68, 167	1383	WD	41	3519M
CSSWDM3545	68	1411	WD	40	3516M
CSSWDM3546	68	1420	WD	47	3524M
CSSWDM3546-5	68, 167	1420	WD	46	3524M
CSSWDM3554	68	1452	WD	49	3521M
CSSWDM3554-5	68, 167	1452	WD	48	3521M
CSSWDM3558	68	1765	WD	54	3528M
CSSWDM3558-5	68, 167	1765	WD	62	3536M
CSWDM3537	67	731	WD	29	3513M
CSWDM3538	67	715	WD	27	3512M
CSWDM3539	67	1000	WD	38	3522M
CSWDM3541	67	767	WD	36	3518M
CSWDM3542	67	825	WD	30	3514M
CSWDM3543	67	1207	WD	47	353M
CSWDM3545	67	907	WD	27	3516M
CSWDM3546	67	854	WD	34	3518M
CSWDM3546T	67	854	WD	35	3518M
CSWDM3550	67	947	WD	51	3535M
CSWDM3554	67	894	WD	42	3526M
CSWDM3554T	67	894	WD	42	3526M
CSWDM3556	67	1166	WD	45	352M
CSWDM3557	67	1234	WD	47	3529M
CSWDM3558	67	1101	WD	44	3528M
CTM1760T	119	3455	L1	210	
CTM1761T	119	4381	L1	290	94M
CTM1762T	119	5293	L1	358	
CTM1763T	119	6158	L1	442	
CTM1764T	119	7069	L1	455	
CTM1765T	119	9280	L1	619	1262M
CTM1766T	119	10949	L1	657	1272M
CTM1767T	119	15857	L1	836	A3652M

Catalog Number	Page Number	List Price	Mult Sym.	Ship Weight ⁽¹⁾	Type Code
CTM2276T	118	2025	L1	179	756M
CTM2332T	118	2254	L1	275	946M
CTM2333T	118	2472	L1	236	756M
CTM2334T	118	2756	L1	245	76M
CTM3665T	118	1095	L1	100	633M
CTM3768T	118	1660	L1	206	736M
CTM3770T	118	1458	L1	164	729M
CTM3774T	118	1861	L1	170	733M
CTM4103T	118	3341	L1	343	956M
CTM4104T	118	4010	L1	363	964M
CTM4110T	118	5334	L1	529	1248M
CUHL3518	145	490	K	37	352L
CUHL3519	145	597	K	44	3524L
CUHM3538	145	420	K	27	3511M
CUHM3542	145	444	K	31	3513M
CUHM3546	145	476	K	36	3516M
CUHM3554	145	518	K	39	3521M
CUHM3558	145	555	K	43	3524M
CWAM3538	49	715	SD	34	3512M
CWAM3542	49	825	SD	37	3514M
CWAM3545	49	851	SD	39	3513M
CWAM3546	49	854	SD	41	3518M
CWAM3546T	49	854	SD	42	3518M
CWAM3550	49	953	SD	42	3516M
CWAM3554T	49	894	SD	48	3526M
CWAM3555	49	1048	SD	38	3524M
CWAM3556	49	1101	SD	45	352M
CWAM3557	49	1248	SD	56	3529M
CWAM3558	49	1101	SD	49	3524M
CWDL3504	58	620	WD	35	352L
CWDL3507	58	721	WD	36	352L
CWDL3509	58	676	WD	37	352L
CWDL3510	58	829	WD	41	3524L
CWDL3513	58	835	WD	41	3524L
CWDL3514	58	993	WD	50	3532LC
CWDM3457	60	514	WD	20	341M
CWDM3534	60	541	WD	33	3512M
CWDM3537	60	604	WD	29	3513M
CWDM3538	60	654	WD	28	3512M
CWDM3538-5	62, 166	654	WD	26	3512M
CWDM3539	60	826	WD	37	3522M
CWDM3541	60	633	WD	35	3518M
CWDM3542	60	709	WD	29	3514M
CWDM3542-5	62, 166	709	WD	35	3514M
CWDM3543	60	997	WD	46	353M
CWDM3545	60	749	WD	33	3516M
CWDM3546	60	760	WD	34	3518M
CWDM3546-5	62, 166	760	WD	35	3518M
CWDM3546T	60	782	WD	36	3518M
CWDM3550	60	782	WD	50	3535M
CWDM3554	60	800	WD	36	352M
CWDM3554-5	62, 166	800	WD	40	3521M
CWDM3554T	60	823	WD	43	3526M
CWDM3554T-5	62, 166	823	WD	42	3526M

⁽¹⁾ Shipping weight is approximate.

Catalog Number	Page Number	List Price	Mult Sym.	Ship Weight ⁽¹⁾	Type Code
CWDM3555	60	885	WD	39	3432M
CWDM3556	60	963	WD	36	352M
CWDM3557	60	1020	WD	46	3529M
CWDM3558	60	883	WD	40	3523M
CWDM3558-5	62, 166	883	WD	39	3524M
CWDM3561TP-9	63	1493	WD	66	3544M
D1151	244	1358	K	23	3413D
D1152	244	1452	K	27	342D
D1153	244	1705	K	31	3428D
D1154	244	2005	K	60	3535D
D1802R	246	6040	N2	86	
D1803R	246	6040	N2	165	
D1815R	246	6040	N2	169	
D2003R	249	6431	N2	161	
D2005P	252	6242	N2	180	
D2005R	249	10358	N2	194	
D2007P	252	7258	N2	218	
D2007R	249	10358	N2	210	
D2010P	252	8238	N2	245	
D2010R	249	11335	N2	233	
D2010R-2	246	16661	N2	360	
D2015P	252	9861	N2	250	
D2015R	249	15311	N2	315	
D2015R-BV	248	16556	N2	345	
D2020P	252	11273	N2	250	
D2020R	249	18661	N2	403	
D2020R-BV	248	16556	N2	345	
D2025P	252	15236	N2	575	
D2025R	249	18661	N2	415	
D2025R-BV	248	18317	N2	370	
D2030P	252	15236	N2	595	
D2030R	249	26466	N2	515	
D2030R-BV	248	19905	N2	400	
D2040P-BV	253	23764	N2	855	
D2040R-BV	248	26587	N2	480	
D2050P-BV	253	23764	N2	873	
D2060P-BV	253	30715	N2	980	
D2075P-BV	253	30715	N2	975	
D2301	244	1358	K	30	3513D
D2302	244	1455	K	27	342D
D2303	244	1705	K	32	3428D
D2304	244	2005	K	60	3535D
D2305	244	3521	L1	82	3636D
D2505P	254	9004	N2	220	
D2505R	247	13081	N2	251	
D2507P	254	10480	N2	300	
D2507R	247	17059	N2	359	
D2510P	254	13020	N2	250	
D2510R	247	18820	N2	379	
D2515P	254	17374	N2	630	
D2515R	247	28213	N2	560	
D2520P	254	22882	N2	850	
D2520R	247	30464	N2	640	
D2525P	254	22882	N2	872	

Catalog Number	Page Number	List Price	Mult Sym.	Ship Weight ⁽¹⁾	Type Code
D2525R	247	43228	N2	805	
D5003R	249	9967	N2	197	
D5005P	252	6242	N2	162	
D5005R	249	9967	N2	194	
D5007P	252	8009	N2	235	
D5007R	249	9967	N2	197	
D501	425	946	A8	5	
D50100P	252	36878	N2	1100	
D50100P-BV	253	40250	N2	1145	
D50100R-BV	248	39995	N2	890	
D50100RS-BV	248	67915	N2	1210	
D5010P	252	8238	N2	255	
D5010R	249	11335	N2	227	
D5010RS-BV	248	19133	N2	345	
D50125P	252	42414	N2	1445	
D50125P-BV	253	40250	N2	1170	
D50125R-BV	248	49873	N2	997	
D50125RS-BV	248	71773	N2	1290	
D50125UR-BV	248	51108	N2	945	
D50150P	252	52882	N2	1785	
D50150P-BV	253	46126	N2	1515	
D50150RE	248	56918	N2	6103	
D50150RS-BV	248	88976	N2	1630	
D50150URE-BV	248	58152	N2	1197	
D5015P	252	9861	N2	250	
D5015R	249	15311	N2	320	
D5015R-BV	248	16556	N2	375	
D5015RS-BV	248	19133	N2	345	
D502	425	946	A8	2	
D50200P	252	65981	N2	2095	
D50200P-BV	253	57457	N2	1830	
D50200RR-BV	248	73535	N2	1475	
D5020P	252	11273	N2	430	
D5020R	249	17074	N2	372	
D5020R-BV	248	16556	N2	390	
D5020RS-BV	248	20894	N2	370	
D50250P	252	79067	N2	2540	
D50250P-BV	253	70339	N2	2175	
D50250RR-BV	248	89964	N2	1891	
D50250RS-BV	248	124469	N2	2310	
D5025P	252	15236	N2	490	
D5025R	249	18661	N2	394	
D5025R-BV	248	18317	N2	410	
D5025RS-BV	248	22483	N2	472	
D50300P-BV	253	83425	N2	2640	
D50300R-BV	248	113818	N2	2190	
D50300RS-BV	248	150442	N2	2815	
D5030P	252	15236	N2	590	
D5030R	249	26466	N2	520	
D5030R-BV	248	19905	N2	445	
D5030RS-BV	248	30609	N2	535	
D50400P-BV	253	117765	N2	3285	
D50400R-BV	248	145465	N2	3040	
D50400RS-BV	248	168174	N2	3040	

⁽¹⁾ Shipping weight is approximate.

Motor Accessories

PT Components

Grinders

Baldor Mod Express

ABB Mod Express

ABB ATEX Mod Express

Product Index

Catalog Number	Page Number	List Price	Mult Sym.	Ship Weight ⁽¹⁾	Type Code
D5040P	252	20393	N2	784	
D5040P-BV	253	23764	N2	830	
D5040R	249	28717	N2	605	
D5040R-BV	248	23683	N2	501	
D5040RS-BV	248	31738	N2	605	
D50500P-BV	253	154655	N2	4170	
D5050P	252	20393	N2	835	
D5050P-BV	253	23764	N2	885	
D5050R	249	41092	N2	766	
D5050RS-BV	248	32860	N2	660	
D5060P-BV	253	30715	N2	880	
D5060R	249	45931	N2	860	
D5060R-BV	248	29962	N2	610	
D5060RS-BV	248	45623	N2	860	
D5075P	252	27343	N2	905	
D5075P-BV	253	30715	N2	960	
D5075R-BV	248	34634	N2	767	
D5075RS-BV	248	50462	N2	890	
D51100R-BV	248	56918	N2	1239	
D51125RR-BV	248	73535	N2	1475	
D51150RR-BV	248	89964	N2	1850	
D51200R-BV	248	106410	N2	1850	
D51250R-BV	248	145465	N2	2735	
D51300R-BV	248	163196	N2	3015	
D5130R-BV	248	26587	N2	480	
D51400R-BV	248	201741	N2	3830	
D5140R-BV	248	29962	N2	640	
D51500R-BV	248	206180	N2	4560	
D5150R-BV	248	34634	N2	695	
D5160R-BV	248	39995	N2	885	
D5175R-BV	248	56918	N2	1125	
D5505P	254	9004	N2	214	
D5505R	247	15311	N2	340	
D5507P	254	10480	N2	310	
D5507R	247	17059	N2	360	
D5510P	254	13020	N2	250	
D5510R	247	18820	N2	405	
D5515P	254	17374	N2	630	
D5515R	247	28213	N2	547	
D5520P	254	22882	N2	875	
D5520R	247	30464	N2	640	
D5525P	254	22882	N2	875	
D5525R	247	43228	N2	815	
D5530R	247	48066	N2	895	
D5540R	247	65449	N2	1120	
D5550R	247	69186	N2	1270	
D8325	358	81	VPS12	4	
D8350	358	93	VPS12	4	
D8400	358	100	VPS12	5	
D8450	358	106	VPS12	6	
D8550	358	124	VPS12	9	
D8600	358	167	VPS12	11	
D8670	358	177	VPS12	13	
D8740	358	268	VPS12	15	

Catalog Number	Page Number	List Price	Mult Sym.	Ship Weight ⁽¹⁾	Type Code
DA1	430	55	A8	1	
DC10	428	1394	A8	60	
DC12	428	1515	A8	62	
DC12-3	428	1515	A8	57	
DC14-3 (n)	428	2472	A8	8	
DC7	428	1394	A8	60	
DC8	428	1394	A8	62	
DCF803-0016	268	1073	EM	8	
DCF803-0035	268	1633	EM	8	
DCF803-0050	268	2226	EM	4	
DCF803-0060	268	2669	EM	4	
DCF804-0050	268	2602	EM	4	
DCF804-0060	268	2112	EM	4	
DCS-CP-EP	268	230	EM	0	
DCS800-DSL, Cable 10M	268	222	EM	2	
DCS800-DSL, Cable 20M	268	280	EM	2	
DCS800-DSL, Cable 2M	268	140	EM	2	
DCS800-DSL, Cable 4M	268	175	EM	2	
DCS800-DSL, Cable P5M	268	140	EM	2	
DCS800-EP1-0020-05	266	5375	EM	54	
DCS800-EP1-0020-05+S235	265	5450	EM	54	
DCS800-EP1-0045-05	266	5629	EM	57	
DCS800-EP1-0045-05+S235	265	5704	EM	57	
DCS800-EP1-0065-05	266	6066	EM	59	
DCS800-EP1-0065-05+S235	265	6141	EM	59	
DCS800-EP1-0090-05	266	6658	EM	62	
DCS800-EP1-0090-05+S235	265	6733	EM	62	
DCS800-EP1-0125-05	266	7039	EM	62	
DCS800-EP1-0125-05+S235	265	7114	EM	62	
DCS800-EP1-0180-05	266	8464	EM	95	
DCS800-EP1-0180-05+S235	265	8539	EM	95	
DCS800-EP1-0230-05	266	9875	EM	103	
DCS800-EP1-0230-05+S235	265	9950	EM	103	
DCS800-EP1-0315-05	266	10721	EM	130	
DCS800-EP1-0315-05+S235	265	10796	EM	130	
DCS800-EP1-0405-05	266	16646	EM	231	
DCS800-EP1-0405-05+S235	265	16721	EM	231	
DCS800-EP1-0470-05	266	18021	EM	231	
DCS800-EP1-0470-05+S235	265	18096	EM	231	
DCS800-EP1-0610-05	266	19265	EM	260	
DCS800-EP1-0610-05+S235	265	19340	EM	260	
DCS800-EP1-0740-05	266	25561	EM	425	
DCS800-EP1-0900-05	266	27213	EM	425	
DCS800-EP2-0025-05	266	6080	EM	54	
DCS800-EP2-0025-05+S235	265	6155	EM	54	
DCS800-EP2-0050-05	266	6334	EM	57	
DCS800-EP2-0050-05+S235	265	6409	EM	57	
DCS800-EP2-0075-05	266	6771	EM	59	
DCS800-EP2-0075-05+S235	265	6846	EM	59	
DCS800-EP2-0100-05	266	7505	EM	62	
DCS800-EP2-0100-05+S235	265	7580	EM	62	
DCS800-EP2-0140-05	266	7886	EM	62	
DCS800-EP2-0140-05+S235	265	7961	EM	62	
DCS800-EP2-0200-05	266	10580	EM	103	

⁽¹⁾ Shipping weight is approximate.

Catalog Number	Page Number	List Price	Mult Sym.	Ship Weight ⁽¹⁾	Type Code
DCS800-EP2-0200-05+S235	265	10655	EM	103	
DCS800-EP2-0260-05	266	11003	EM	103	
DCS800-EP2-0260-05+S235	265	11078	EM	103	
DCS800-EP2-0350-05	266	11849	EM	130	
DCS800-EP2-0350-05+S235	265	11924	EM	130	
DCS800-EP2-0450-05	266	20260	EM	231	
DCS800-EP2-0450-05+S235	265	20335	EM	231	
DCS800-EP2-0520-05	266	22095	EM	231	
DCS800-EP2-0520-05+S235	265	22170	EM	231	
DCS800-EP2-0680-05	266	25892	EM	260	
DCS800-EP2-0680-05+S235	265	25967	EM	260	
DCS800-EP2-0820-05	266	35899	EM	425	
DCS800-EP2-1000-05	266	37409	EM	425	
DCS800-EP2-1010-05	266	40290	EM	425	
DEL3733TM	132	2956	L1	162	375LC
DEL3737TM	132	3610	L1	160	375LC
DMG2305	254	7521	N2	220	
DMG2307	254	8652	N2	245	
DMG2310	254	9589	N2	250	
DMG2315	254	16097	N2	250	
DMG2320	254	17622	N2	595	
DMG2333	254	24435	N2	840	
DMG2340	254	26785	N2	910	
DR913X913B5	328	183	A8	9	
DR913X918B5	328	191	A8	3	
DR913X921B5	328	202	A8	1	
DR913X924B5	328	202	A8	1	
DR913X926B5	328	219	A8	1	
DR918X924B7	328	219	A8	1	
DR918X926B7	328	227	A8	1	
DR918X932B7	328	227	A8	1	
DR924X938B9	328	227	A8	1	
EBM2333T	150	6611	L1	337	944M
EBM2334T	150	8016	L1	398	952M
EBM2513T	153	5375	L1	252	3938M
EBM3116T	153	1343	L1	49	3524M
EBM3154T	153	1488	L1	48	3522M
EBM3157T	153	1698	L1	51	3525M
EBM3211T	153	2083	L1	83	363M
EBM3218T	153	2574	L1	104	364M
EBM3248T	153	2212	L1	104	364M
EBM3311T	153	3235	L1	149	3733M
EBM3313T	153	4064	L1	159	3739M
EBM3546	150	1529	K	44	3519M
EBM3546T	150	1560	L1	46	3519M
EBM3554T	150	1756	L1	52	3526M
EBM3558T	150	1795	L1	57	3528M
EBM3558T-D	147	1631	L1	61	3528M
EBM3611T	150	2325	L1	89	3631M
EBM3611T-D	147	2112	L1	104	3628M
EBM3615T	150	2819	L1	106	3642M
EBM3615T-D	147	2554	L1	117	3642M
EBM3710T	150	3780	L1	158	3736M
EBM3710T-D	147	3434	L1	170	3736M

Catalog Number	Page Number	List Price	Mult Sym.	Ship Weight ⁽¹⁾	Type Code
EBM3714T	150	4673	L1	165	3752M
EBM3714T-D	147	4227	L1	165	3752M
EBM4103T	150	9022	L1	516	146M
EBM4104T	150	12220	L1	667	152M
ECP2276T	33	2858	SD	335	954M
ECP2276T-4	33	2858	SD	337	954M
ECP2276T-5	36, 163	2858	SD	333	954M
ECP2280T-4	33	4385	SD	327	952M
ECP2294T	33	2922	SD	300	934M
ECP2332T	33	3713	SD	348	96M
ECP2332T-4	33	3713	SD	347	96M
ECP2332T-5	36, 163	3713	SD	347	96M
ECP2333T	33	2745	SD	314	944M
ECP2333T-4	33	2745	SD	294	944M
ECP2333T-5	36, 163	2745	SD	297	942M
ECP2334T	33	2944	SD	334	952M
ECP2334T-4	33	2944	SD	333	952M
ECP2334T-5	36, 163	2944	SD	325	952M
ECP2394T-4	33	2922	SD	297	934M
ECP2394T-5	36, 163	2922	SD	239	934M
ECP2395T-4	33	7807	SD	479	16M
ECP2401T-4	33	5014	SD	347	96M
ECP2402T-4	33	5849	SD	468	16M
ECP3580T	32	950	SD	59	516M
ECP3580T-4	32	950	SD	59	516M
ECP3580T-5	36, 163	950	SD	61	516M
ECP3581T	32	1044	SD	64	524M
ECP3581T-4	32	1044	SD	61	524M
ECP3581T-5	36, 163	1044	SD	65	524M
ECP3582T	32	1153	SD	68	526M
ECP3582T-4	32	1153	SD	69	526M
ECP3583T	32	1080	SD	67	524M
ECP3583T-4	32	1080	SD	67	524M
ECP3584T	32	1063	SD	69	53M
ECP3584T-4	32	1063	SD	72	53M
ECP3584T-5	36, 163	1063	SD	71	53M
ECP3586T	32	1130	SD	74	532M
ECP3586T-4	32	1130	SD	74	532M
ECP3587T	32	1110	SD	75	535M
ECP3587T-4	32	1110	SD	73	535M
ECP3587T-5	36, 163	1110	SD	75	535M
ECP3660T	33	1336	SD	104	628M
ECP3660T-4	33	1336	SD	106	628M
ECP3660T-5	36, 163	1336	SD	107	628M
ECP3661T	33	1404	SD	110	632M
ECP3661T-4	33	1404	SD	112	632M
ECP3661T-5	36, 163	1404	SD	113	632M
ECP3663T	33	1644	SD	114	632M
ECP3663T-4	33	1644	SD	111	634M
ECP3663T-5	36, 163	1644	SD	111	634M
ECP3664T	32	1366	SD	122	642M
ECP3664T-4	32	1366	SD	120	642M
ECP3665T	33	1429	SD	118	641M
ECP3665T-4	33	1429	SD	119	641M

⁽¹⁾ Shipping weight is approximate.

Motor
Accessories

PT Components

Grinders

Baldor
Mod Express

ABB
Mod Express

ABB ATEX
Mod Express

Product
Index

Motor
Accessories

PT
Components

Grinders

Baldor
Mod Express

ABB
Mod Express

ABB ATEX
Mod Express

Product
Index

Catalog Number	Page Number	List Price	Mult Sym.	Ship Weight ⁽¹⁾	Type Code
ECP3665T-5	36, 163	1429	SD	118	641M
ECP3667T	32	1349	SD	108	63M
ECP3667T-4	32	1349	SD	108	63M
ECP3668T-4	32	2015	SD	110	634M
ECP3687T-4	32	1619	SD	103	628M
ECP3764T	33	1971	SD	185	737M
ECP3764T-4	33	1971	SD	209	736M
ECP3764T-5	36, 163	1971	SD	211	737M
ECP3768T	33	1998	SD	212	748M
ECP3768T-4	33	1998	SD	227	748M
ECP3768T-5	36, 163	1998	SD	196	748M
ECP3769T	33	2145	SD	169	731M
ECP3769T-4	33	2145	SD	173	731M
ECP3769T-5	36, 163	2145	SD	169	731M
ECP3770T	33	1799	SD	170	735M
ECP3770T-4	33	1799	SD	170	735M
ECP3770T-5	36, 163	1799	SD	170	735M
ECP3771T	33	2284	SD	203	742M
ECP3771T-4	33	2284	SD	215	742M
ECP3771T-5	36, 163	2284	SD	182	742M
ECP3772T-4	32	2541	SD	179	732M
ECP3774T	33	2154	SD	231	748M
ECP3774T-4	33	2154	SD	211	748M
ECP3774T-5	36, 163	2154	SD	231	748M
ECP3775T-4	33	2755	SD	203	744M
ECP4100T	33	4257	SD	449	156M
ECP4100T-4	33	4257	SD	448	156M
ECP4100T-5	36, 163	4257	SD	446	156M
ECP4102T	33	5784	SD	480	162M
ECP4102T-4	33	5784	SD	467	162M
ECP4102T-5	36, 163	5784	SD	478	162M
ECP4103T	33	3852	SD	431	146M
ECP4103T-4	33	3852	SD	437	152M
ECP4103T-5	36, 163	3852	SD	424	152M
ECP4104T	33	4574	SD	475	16M
ECP4104T-4	33	4574	SD	470	16M
ECP4104T-5	36, 163	4574	SD	467	16M
ECP4106T	33	3408	SD	324	944M
ECP4106T-4	33	3408	SD	328	944M
ECP4106T-5	36, 163	3408	SD	310	942M
ECP4107T	33	4096	SD	354	95M
ECP4107T-4	33	4096	SD	357	95M
ECP4108T	33	4993	SD	430	142M
ECP4108T-4	33	4993	SD	424	142M
ECP4109T	34	6859	SD	552	124M
ECP4109T-4	34	6859	SD	566	1244M
ECP4110T	34	5984	SD	618	126M
ECP4110T-4	34	5984	SD	626	126M
ECP4110T-5	36, 163	5984	SD	623	126M
ECP4111T	33	6044	SD	604	126M
ECP4111T-4	33	6044	SD	608	126M
ECP4111T-5	36, 163	6044	SD	612	126M
ECP4112T-4	33	8900	SD	600	1256M
ECP4113T-4	33	11752	SD	813	A365M

Catalog Number	Page Number	List Price	Mult Sym.	Ship Weight ⁽¹⁾	Type Code
ECP4114T	34	7188	SD	619	1256M
ECP4114T-4	34	7188	SD	610	1256M
ECP4115T	34	7024	SD	641	1272M
ECP4115T-4	34	7024	SD	668	1272M
ECP4115T-5	36, 163	7024	SD	652	1272M
ECP4117T	33	7791	SD	621	1264M
ECP4117T-4	33	7791	SD	633	1264M
ECP4124T-4	33	11114	SD	598	1256M
ECP4308T	34	9710	SD	918	A3662M
ECP4308T-4	34	9710	SD	889	A3662M
ECP4310T	34	10431	SD	929	A3656M
ECP4310T-4	34	10431	SD	882	A3656M
ECP4312T	34	10343	SD	928	A3662M
ECP4312T-4	34	10343	SD	920	A3662M
ECP4313T	34	11661	SD	1004	A3668M
ECP4313T-4	34	11661	SD	990	A3668M
ECP4314T	34	9414	SD	933	A3662M
ECP4314T-4	34	9414	SD	941	A3662M
ECP4314T-5	36, 163	9414	SD	936	A3662M
ECP4315T-4	34	13513	SD	813	A3662M
ECP4316T	34	11000	SD	958	A367M
ECP4316T-4	34	11000	SD	962	A3668M
ECP4316T-5	36, 163	11000	SD	966	A367M
ECP4316TR-4	34	11625	SD	965	A367M
ECP4400T-4	34	14439	SD	1296	A464M
ECP4400T-5	36, 163	14439	SD	1305	A464M
ECP4400TR-4	34	15153	SD	1326	A464M
ECP4400TS-4	34	14439	SD	1304	A464M
ECP4402T	34	14657	SD	1283	A46M
ECP4402T-4	34	14657	SD	1272	A46M
ECP4403T	34	14128	SD	1281	A464M
ECP4403T-4	34	14128	SD	1331	A464M
ECP4403TR-4	34	14842	SD	1375	A472M
ECP4404T	34	17194	SD	1275	A464M
ECP4404T-4	34	17194	SD	1334	A472M
ECP4404TR-4	34	17908	SD	1334	A472M
ECP4406T-4	34	19997	SD	2190	A4488M
ECP4406T-5	36, 163	19997	SD	2175	A4488M
ECP4406TR-4	34	21225	SD	1826	A4488M
ECP4407T-4	35	24056	SD	2545	A4412M
ECP4407T-4E	35	24056	SD	2347	A44106M
ECP4407T-5	36, 163	24056	SD	2570	A4412M
ECP4407TR-4	35	25282	SD	2621	A4412M
ECP4407TS-4	35	24056	SD	2573	A4412M
ECP4408T-4	35	30527	SD	2981	A4414M
ECP4408TR-4	35	31753	SD	2995	A4414M
ECP4409T-4	34	18912	SD	1871	A4464M
ECP4409TR-4	34	20140	SD	1625	A4464M
ECP4410T-4	34	17070	SD	1950	A4476M
ECP4410T-4E	34	17070	SD	1757	A44062M
ECP4410T-5	36, 163	17070	SD	2054	A4476M
ECP4410T-5E	36, 163	17070	SD	1764	A44062M
ECP4410TR-4	34	18298	SD	1669	A4476M
ECP4411T-4	34	21365	SD	2146	A449M

⁽¹⁾ Shipping weight is approximate.

Catalog Number	Page Number	List Price	Mult Sym.	Ship Weight ⁽¹⁾	Type Code
ECP4411TR-4	34	22593	SD	1874	A449M
ECP4412T	34	17223	SD	1957	A4468M
ECP4412T-4	34	17223	SD	1901	A4468M
ECP4413T-4	34	20191	SD	2017	A4478M
ECP44156T-4	34	24088	SD	2546	A4412M
ECP44156TR-4	34	25315	SD	2585	A4412M
ECP4416T-4	35	23908	SD	2436	A4414M
ECP4417T-4	34	16652	SD	1216	A46M
ECP4418T-4	34	19529	SD	1216	A46M
ECP4419T-4	34	24111	SD	1815	A4472M
ECP44206T-4	35	31553	SD	3104	A4416M
ECP44206TR-4	35	32779	SD	3091	A4416M
ECP4420T-4	34	28143	SD	1905	A446M
ECP4421T-4	34	30823	SD	2330	A4414M
ECP4422T-4	34	35415	SD	2491	A4412M
ECP4423T-4	35	44951	SD	2825	A44144M
ECP44252T-4	35	36560	SD	2633	A44112M
ECP44256T-4	35	44018	SD	3090	A4416M
ECP44256TR-4	35	45244	SD	3093	A4416M
ECP44302T-4	35	53433	SD	2789	A44128M
ECP44302T-4	35	53433	SD	3092	
ECP44304T-4	35	42075	SD	3061	A44152M
ECP44304TR-4	35	43302	SD	3048	A44152M
ECP44352T-4	35	64135	SD	2965	A44144M
ECP44402T-4	35	75034	SD	3091	A4416M
ECP4906T-4	34	19997	SD	1826	A44088M
ECP4906T-5	36, 163	19997	SD	1826	A44088M
ECP4907T-5	36, 163	24056	SD	2676	A44120M
ECP4907TS-4	35	24056	SD	2591	A44120M
ECP49258T-4	35	54429	SD	3225	
ECP49306T-4	35	44454	SD	3125	A4428M
ECP49308T-4	35	65528	SD	3315	
ECP49352T-4	35	64135	SD	2998	A44144M
ECP49354T-4	35	50488	SD	3543	A44176M
ECP49404T-4	35	63060	SD	3682	A4428M
ECP50452S-4	35	83253	LM	4871	
ECP50502S-4	35	90151	LM	4720	A5184M
ECP62333TR-4	44	3372	SD	324	944M
ECP62334TR-4	44	3617	SD	761	96M
ECP63665T-4	44	1570	SD	128	641M
ECP63770TR-4	44	2248	SD	195	737M
ECP63774TR-4	44	2611	SD	231	748M
ECP64103TR-4	44	4676	SD	461	15M
ECP64104TR-4	44	5426	SD	487	16M
ECP64110TR-4	44	7198	SD	636	126M
ECP64115TR-4	44	8354	SD	687	1272M
ECP64314TR-4	44	10960	SD	936	A3662M
ECP64316TR-4	44	12644	SD	976	A367M
ECP82276T-4	39	3195	SD	343	954M
ECP82276T-5	42, 164	3195	SD	348	954M
ECP82332T-4	39	4079	SD	359	96M
ECP82332T-5	42, 164	4079	SD	358	96M
ECP82333T-4	39	3015	SD	317	944M
ECP82333T-5	42, 164	3015	SD	318	944M

Catalog Number	Page Number	List Price	Mult Sym.	Ship Weight ⁽¹⁾	Type Code
ECP82334T-4	39	3260	SD	350	96M
ECP82334T-5	42, 164	3260	SD	361	96M
ECP82394T-4	39	3264	SD	308	934M
ECP82394T-5	42, 164	3264	SD	305	934M
ECP83580T-4	39	1043	SD	60	516M
ECP83580T-5	42, 164	1043	SD	63	516M
ECP83581T-4	39	1145	SD	69	524M
ECP83581T-5	42, 164	1145	SD	67	524M
ECP83582T-4	39	1228	SD	69	526M
ECP83582T-5	42, 164	1228	SD	69	526M
ECP83583T-4	39	1120	SD	69	524M
ECP83583T-5	42, 164	1120	SD	71	524M
ECP83584T-4	39	1165	SD	73	53M
ECP83584T-5	42, 164	1165	SD	73	53M
ECP83586T-4	39	1229	SD	78	535M
ECP83586T-5	42, 164	1229	SD	79	535M
ECP83587T-4	39	1217	SD	78	535M
ECP83587T-5	42, 164	1217	SD	77	535M
ECP83660T-4	39	1465	SD	116	632M
ECP83660T-5	42, 164	1465	SD	116	632M
ECP83661T-4	39	1541	SD	116	632M
ECP83661T-5	42, 164	1541	SD	118	632M
ECP83663T-4	39	1805	SD	132	643M
ECP83663T-5	42, 164	1805	SD	130	643M
ECP83664T-4	39	1537	SD	130	642M
ECP83664T-5	42, 164	1537	SD	128	642M
ECP83665T-4	39	1570	SD	127	641M
ECP83665T-5	42, 164	1570	SD	127	641M
ECP83667T-4	39	1414	SD	114	63M
ECP83667T-5	42, 164	1414	SD	112	63M
ECP83764T-4	39	2143	SD	165	736M
ECP83764T-5	42, 164	2143	SD	211	736M
ECP83768T-4	39	2215	SD	193	748M
ECP83768T-5	42, 164	2215	SD	226	748M
ECP83769T-4	39	2356	SD	179	731M
ECP83769T-5	42, 164	2356	SD	179	731M
ECP83770T-4	39	1978	SD	199	737M
ECP83770T-5	42, 164	1978	SD	199	737M
ECP83771T-4	39	2508	SD	225	742M
ECP83771T-5	42, 164	2508	SD	225	742M
ECP83774T-4	39	2342	SD	231	748M
ECP83774T-5	42, 164	2342	SD	231	748M
ECP84100T-4	39	4712	SD	447	15M
ECP84100T-5	42, 164	4712	SD	445	15M
ECP84102T-4	39	6350	SD	442	15M
ECP84102T-5	42, 164	6350	SD	443	15M
ECP84103T-4	39	4228	SD	441	152M
ECP84103T-5	42, 164	4228	SD	443	152M
ECP84104T-4	39	4979	SD	545	16M
ECP84104T-5	42, 164	4979	SD	480	16M
ECP84106T-4	39	3742	SD	328	942M
ECP84106T-5	42, 164	3742	SD	324	942M
ECP84107T-4	39	4575	SD	430	138M
ECP84107T-5	42, 164	4575	SD	429	138M

⁽¹⁾ Shipping weight is approximate.

Motor
Accessories

PT Components

Grinders

Baldor
Mod Express

ABB
Mod Express

ABB ATEX
Mod Express

Product
Index

Motor
Accessories

PT
Components

Grinders

Baldor
Mod Express

ABB
Mod Express

ABB ATEX
Mod Express

Product
Index

Catalog Number	Page Number	List Price	Mult Sym.	Ship Weight ⁽¹⁾	Type Code
ECP84108T-4	39	5480	SD	442	142M
ECP84108T-5	42, 164	5480	SD	422	142M
ECP84109T-4	39	7498	SD	626	1256M
ECP84109T-5	42, 164	7498	SD	624	1256M
ECP84110T-4	39	6629	SD	629	126M
ECP84110T-5	42, 164	6629	SD	635	126M
ECP84111T-4	39	6692	SD	638	1264M
ECP84111T-5	42, 164	6692	SD	623	1264M
ECP84114T-4	40	7821	SD	623	1266M
ECP84114T-5	42, 164	7821	SD	662	1266M
ECP84115T-4	40	7783	SD	679	1272M
ECP84115T-5	42, 164	7783	SD	653	1272M
ECP84117T-4	39	8709	SD	637	1266M
ECP84117T-5	42, 164	8709	SD	635	1264M
ECP84308T-4	39	10662	SD	927	A3662M
ECP84308T-5	42, 164	10662	SD	922	A3662M
ECP84310T-4	40	11558	SD	905	A3656M
ECP84310T-5	43, 165	11558	SD	932	A3656M
ECP84312T-4	40	11355	SD	928	A3662M
ECP84312T-5	42, 164	11355	SD	924	A3662M
ECP84313T-4	40	12802	SD	1045	A3668M
ECP84313T-5	43, 165	12802	SD	998	A3668M
ECP84314T-4	40	10335	SD	913	A3662M
ECP84314T-5	43, 165	10335	SD	937	A3662M
ECP84316T-4	40	12019	SD	971	A367M
ECP84316T-5	43, 165	12019	SD	985	A367M
ECP84400T-4	40	16043	SD	1299	A464M
ECP84400T-5	43, 165	16043	SD	1304	A464M
ECP84402T-4	40	15341	SD	1277	A46M
ECP84402T-5	43, 165	15341	SD	1287	A46M
ECP84403T-4	40	14718	SD	1271	A464M
ECP84403T-5	43, 165	14718	SD	1275	A464M
ECP84404T-4	40	17827	SD	1327	A472M
ECP84404T-5	43, 165	17827	SD	1283	A472M
ECP84406T-4	40	21521	SD	2184	A4488M
ECP84406T-5	43, 165	21521	SD	1886	A4478M
ECP84406T-5E	43, 165	21521	SD	1879	A44078M
ECP84407T-4	40	25892	SD	2582	A4412M
ECP84407T-5	43, 165	25892	SD	2606	A4412M
ECP84407TR-4	40	27119	SD	2608	A4412M
ECP84407TR-5	43, 165	27119	SD	2618	A4412M
ECP84408T-4	40	33052	SD	2959	A4414M
ECP84408T-5	43, 165	33052	SD	2932	A4414M
ECP84408TR-4	40	34246	SD	2995	A4414M
ECP84408TR-5	43, 165	34246	SD	2732	A4414M
ECP84409T-4	40	19609	SD	1940	A4464M
ECP84409T-5	43, 165	19609	SD	1885	A4462M
ECP84410T-4	40	18198	SD	2020	A4476M
ECP84410T-4E	40	18198	SD	1746	A44062M
ECP84410T-5	43, 165	18198	SD	1915	A4462M
ECP84410T-5E	43, 165	18198	SD	1802	A44056M
ECP84411T-4	40	22257	SD	2083	A449M
ECP84411T-5	43, 165	22257	SD	2000	A4476M
ECP84412T-4	40	17941	SD	1968	A4468M

Catalog Number	Page Number	List Price	Mult Sym.	Ship Weight ⁽¹⁾	Type Code
ECP84412T-4E	40	17941	SD	1679	A44056M
ECP84412T-5	43, 165	17941	SD	1799	A4456M
ECP84412T-5E	43, 165	17941	SD	1740	A44056M
ECP84413T-4	40	20617	SD	2053	A4478M
ECP84413T-4E	40	20617	SD	1910	A44078M
ECP84413T-5	43, 165	20617	SD	2062	A4478M
ECP844156T-4	40	24739	SD	2536	A44120M
ECP844156TR-4	40	25964	SD	2615	A4412M
ECP844156TR-5	43, 165	25964	SD	2595	A4412M
ECP84416T-4	40	27256	SD	2433	A4414M
ECP84416T-5	43, 165	27256	SD	2182	A4478M
ECP844206T-4	40	32865	SD	3109	A4416M
ECP844206TR-4	40	34092	SD	3108	A4416M
ECP844206TR-5	43, 165	34092	SD	3100	A4416M
ECP844252T-4	40	43915	SD	2790	A44128M
ECP844252T-5	43, 165	43915	SD	2784	A44128M
ECP844256T-4	40	46128	SD	3102	A4416M
ECP84906T-4	40	21521	SD	2175	A4496M
ECP84907T-5	43, 165	25892	SD	2676	A44120M
ECP84907TR-5	43, 165	27119	SD	2676	A44120M
ECP84908T-4	40	33052	SD	2971	A44140M
ECP84908T-5	43, 165	33052	SD	2941	A44140M
ECP84908TR-4	40	34246	SD	2995	A44140M
ECP84908TR-5	43, 165	34246	SD	2677	A44140M
ECP84909T-4	40	19609	SD	1933	A44064M
ECP84910T-4	40	18198	SD	1779	A44076M
ECP84912T-4	40	17941	SD	1968	A44068M
ECP84913T-4	40	20617	SD	2049	A4478M
ECP849156T-4	40	24739	SD	2598	A4412M
ECP849156TR-4	40	25964	SD	2615	A4412M
ECP849156TR-5	43, 165	25964	SD	2000	A4412M
ECP849206T-4	40	32865	SD	3085	A4416M
ECP849206TR-4	40	34092	SD	3108	A4416M
ECP849252T-4	40	43915	SD	2798	A44128M
ECP849252T-5	43, 165	43915	SD	2595	A44128M
ECR4400TR-4	46	12216	SD	1403	A476M
ECR4404TR-4	46	16137	SD	1272	A464M
ECR4406TR-4	46	18205	SD	2184	A4496M
ECR4407TR-4	46	21907	SD	2831	A44128M
ECR4409TR-4	46	16669	SD	2141	A4484M
ECR4410TR-4	46	15544	SD	2075	A4478M
ECR4411TR-4	46	18831	SD	2371	A4496M
ECR44156TR-4	46	21231	SD	3125	A4416M
ECR44206TR-4	46	27805	SD	3162	A4416M
ECR4907TR-4	46	21907	SD	2694	A44128M
ECR4909TR-4	46	16669	SD	2141	A44084M
ECR4910TR-4	46	15544	SD	1964	A44078M
ECR4911TR-4	46	18831	SD	2271	A44096M
ECTM2276T	118	2802	L1	290	95M
ECTM2332T	118	3201	L1	297	954M
ECTM2333T	118	2944	L1	278	944M
ECTM2334T	118	3284	L1	293	952M
ECTM3665T	118	1239	L1	108	641M
ECTM3768T	118	1968	L1	227	748M

⁽¹⁾ Shipping weight is approximate.

Catalog Number	Page Number	List Price	Mult Sym.	Ship Weight ⁽¹⁾	Type Code
ECTM3770T	118	1653	L1	170	735M
ECTM3774T	118	2218	L1	231	748M
ECTM4100T	118	4268	L1	345	142M
ECTM4103T	118	4042	L1	378	146M
ECTM4104T	118	4797	L1	410	156M
ECTM4110T	118	6273	L1	553	1254M
ECTM4115T	118	7500	L1	598	1272M
ECTM4314T	118	9863	L1	835	A3662M
EFM2333T	31	2306	L1	256	944M
EFM2334T	31	2794	L1	276	952M
EFM2394T	31	2520	L1	256	93M
EFM2513T	31	2069	L1	214	3938M
EFM2513T-8	158	2120	L1	209	3938M
EFM2515T	31	2597	L1	226	3944M
EFM2515T-8	158	2661	L1	226	3944M
EFM2531T	31	3166	L1	313	45M
EFM2535T	31	3462	L1	339	452M
EFM2539T	31	4516	L1	392	464M
EFM2543T	31	4983	L1	547	4256M
EFM2547T	31	6274	L1	622	4278M
EFM3116T	31	621	L1	35	3519M
EFM3154T	31	649	L1	38	3522M
EFM3157T	31	696	L1	40	3525M
EFM3157T-8	158	714	L1	43	3525M
EFM3211T	31	750	L1	68	363M
EFM3211T-8	158	769	L1	70	363M
EFM3212T	31	794	L1	61	3623M
EFM3218T	31	822	L1	84	364M
EFM3218T-8	158	842	L1	82	364M
EFM3219T	31	1259	L1	77	3632M
EFM3311T	31	1207	L1	114	3733M
EFM3311T-8	158	1237	L1	111	3733M
EFM3312T	31	1440	L1	107	3728M
EFM3313T	31	1461	L1	125	3739M
EFM3313T-8	158	1496	L1	127	3739M
EFM3314T	31	2045	L1	123	3734M
EFM3546T	31	706	L1	35	3519M
EFM3554T	31	734	L1	41	3526M
EFM3558T	31	758	L1	41	3528M
EFM3610T	31	882	L1	73	3532M
EFM3611T	31	841	L1	73	3631M
EFM3613T	31	978	L1	75	363M
EFM3615T	31	920	L1	91	3642M
EFM3709T	31	1465	L1	128	3728M
EFM3710T	31	1331	L1	128	3736M
EFM3711T	31	1485	L1	119	3729M
EFM3714T	31	1495	L1	165	3752M
EFM4100T	31	3880	L1	391	146M
EFM4102T	31	5166	L1	420	154M
EFM4103T	31	3652	L1	452	146M
EFM4104T	31	4337	L1	397	156M
EFM4110T	31	5673	L1	572	1254M
EFM4114T	31	6429	L1	578	1252M
EFM4115T	31	6199	L1	640	1272M

Catalog Number	Page Number	List Price	Mult Sym.	Ship Weight ⁽¹⁾	Type Code
EFM4308T	31	8414	L1	908	A3662M
EFM4312T	31	10167	L1	902	A3662M
EFM4314T	31	8917	L1	800	A3662M
EFM4316T	31	10429	L1	840	A3668M
EFM4400T	31	12952	L1	1160	A464M
EFM4403T	31	12341	L1	1164	A464M
EFM4404T	31	14371	L1	1217	A472M
EFM4409T-4	31	17345	L1	1625	A4464M
EHF2515T	115	2612	LS	227	3944M
EHF2523T	115	2087	LS	212	3938M
EHF2523T-8	116	2082	LS	211	3938M
EHF2531T	115	3177	LS	301	45M
EHF2535T	115	3473	LS	328	452M
EHF2539T	115	4519	LS	429	464M
EHF2543T	115	5544	LS	466	4256M
EHF3157T	115	726	LS	49	3525M
EHF3211T	115	779	LS	68	363M
EHF3218T	115	846	LS	82	364M
EHF3311T	115	1230	LS	115	3733M
EHF3313T	115	1480	LS	127	3739M
EHM2276T	117	2583	L1	294	95M
EHM2332T	117	2943	L1	290	954M
EHM2333T	117	2332	LS	250	944M
EHM2333T-5	117	2332	LS	255	942M
EHM2334T	117	2821	LS	288	952M
EHM2334T-5	117	2821	LS	286	952M
EHM2506T	115	1773	L1	248	395M
EHM2511T	115	2297	L1	260	3954M
EHM2515T	115	2612	LS	225	3944M
EHM2515T-8	116	2612	LS	226	3944M
EHM2523T	115	2087	LS	212	3938M
EHM2523T-8	116	2087	LS	210	3938M
EHM2524T	115	3085	L1	300	438M
EHM2528T	115	3747	L1	321	444M
EHM2531T	115	3177	LS	306	45M
EHM2531T-8	116	3177	LS	369	45M
EHM2532T	115	4519	L1	383	472M
EHM2535T	115	3473	LS	339	452M
EHM2535T-8	116	3473	LS	331	452M
EHM2536T	115	4712	L1	482	484M
EHM2539T	115	4519	LS	433	464M
EHM2539T-8	116	4519	LS	434	425M
EHM2543T	115	5544	LS	469	4256M
EHM2543T-8	116	5544	LS	459	4256M
EHM2547T	115	6268	LS	582	4272M
EHM2551T	115	7687	LS	752	4462M
EHM2555T	115	8762	LS	911	4476M
EHM3116T	115	651	LS	35	3519M
EHM3116T-8	116	651	LS	34	3519M
EHM3154T	115	676	LS	37	3522M
EHM3154T-8	116	676	LS	38	3522M
EHM3157T	115	726	LS	41	3525M
EHM3157T-8	116	726	LS	41	3525M
EHM3211T	115	779	LS	72	363M

Motor
Accessories

PT Components

Grinders

Baldor
Mod Express

ABB
Mod Express

ABB ATEX
Mod Express

Product
Index

⁽¹⁾ Shipping weight is approximate.

Motor
Accessories

PT
Components

Grinders

Baldor
Mod Express

ABB
Mod Express

ABB ATEX
Mod Express

Product
Index

Catalog Number	Page Number	List Price	Mult Sym.	Ship Weight ⁽¹⁾	Type Code
EHM3211T-8	116	779	LS	71	363M
EHM3218T	115	846	LS	85	364M
EHM3218T-8	116	846	LS	85	364M
EHM3218TA	123	1076	L1	84	364M
EHM3305T	115	1141	L1	114	3733M
EHM3309T	115	1485	L1	141	3744M
EHM3311T	115	1230	LS	115	3733M
EHM3311T-8	116	1230	LS	115	3733M
EHM3313T	115	1480	LS	127	3739M
EHM3313T-8	116	1480	LS	129	3739M
EHM3546T	117	734	LS	37	3519M
EHM3546T-5	117	734	LS	37	3519M
EHM3554T	117	737	LS	44	3526M
EHM3554T-5	117	737	LS	44	3526M
EHM3558T	117	789	LS	46	3528M
EHM3558T-5	117	789	LS	47	3528M
EHM3611T	117	869	LS	73	3631M
EHM3611T-5	117	869	LS	74	3631M
EHM3615T	117	949	LS	93	3642M
EHM3615T-5	117	949	LS	92	3642M
EHM3708T	117	1558	L1	154	3748M
EHM3710T	117	1353	LS	128	3736M
EHM3710T-5	117	1353	LS	127	3736M
EHM3714T	117	1526	LS	165	3752M
EHM3714T-5	117	1526	LS	165	3752M
EHM4100T	117	3914	L1	391	146M
EHM4102T	117	5201	L1	437	154M
EHM4103T	117	3680	LS	430	156M
EHM4103T-5	117	3680	LS	397	152M
EHM4104T	117	4360	LS	423	16M
EHM4104T-5	117	4360	LS	395	156M
EHM4110T	117	5691	LS	612	1264M
EHM4110T-5	117	5691	LS	575	1254M
EHM4111T	117	5879	L1	465	172M
EHM4115T	117	6198	LS	622	1272M
EHM4115T-5	117	6198	LS	622	1266M
EJMM2333T	99	3064	L1	265	944M
EJMM2333T-G	97	3314	L1	265	944M
EJMM2334T	99	3457	L1	304	952M
EJMM2334T-G	97	3708	L1	308	952M
EJMM2394T	99	3091	L1	257	93M
EJMM2394T-G	97	3341	L1	260	93M
EJMM2513T	101	2511	L1	214	3938M
EJMM2513T-G	97	2762	L1	213	3938M
EJMM2514T	101	2793	L1	195	3928M
EJMM2515T	101	3008	L1	248	3944M
EJMM2516T	101	3310	L1	219	3938M
EJMM2531T	101	3578	L1	317	45M
EJMM2534T	101	4207	L1	305	3948M
EJMM2535T	101	4286	L1	359	452M
EJMM2538T	102	5065	L1	328	3956M
EJMM2539T	102	5210	L1	417	464M
EJMM2542T	102	5710	L1	421	4248M
EJMM2543T	102	6025	L1	491	4256M

Catalog Number	Page Number	List Price	Mult Sym.	Ship Weight ⁽¹⁾	Type Code
EJMM3116T	100	707	L1	38	3519M
EJMM3116T-G	97	850	L1	37	3519M
EJMM3154T	100	765	L1	38	3522M
EJMM3154T-G	97	908	L1	41	3522M
EJMM3155T	100	846	L1	44	3524M
EJMM3157T	100	837	L1	44	3525M
EJMM3157T-G	97	980	L1	44	3525M
EJMM3158T	100	950	L1	49	353M
EJMM3158T-G	97	1093	L1	51	353M
EJMM3211T	100	926	L1	72	363M
EJMM3211T-G	97	1093	L1	74	363M
EJMM3212T	101	1132	L1	64	3623M
EJMM3212T-G	97	1299	L1	64	3623M
EJMM3218T	101	1047	L1	87	364M
EJMM3218T-G	97	1214	L1	88	364M
EJMM3219T	101	1338	L1	78	3632M
EJMM3219T-G	97	1504	L1	78	3632M
EJMM3311T	101	1570	L1	120	3733M
EJMM3311T-G	97	1789	L1	120	3733M
EJMM3312T	101	1723	L1	120	3728M
EJMM3312T-G	97	1942	L1	121	3728M
EJMM3313T	101	1698	L1	136	3739M
EJMM3313T-G	97	1917	L1	132	3739M
EJMM3314T	101	2218	L1	131	3734M
EJMM3314T-G	97	2436	L1	134	3734M
EJMM3546T	98	827	L1	40	3519M
EJMM3550T	98	822	L1	41	352M
EJMM3554T	98	881	L1	44	3526M
EJMM3555T	98	882	L1	47	3526M
EJMM3558T	98	900	L1	50	3528M
EJMM3559T	98	947	L1	54	3532M
EJMM3610T	98	949	L1	56	3532M
EJMM3610T-G	97	1111	L1	60	3532M
EJMM3611T	98	1044	L1	76	3631M
EJMM3611T-G	97	1206	L1	76	3631M
EJMM3613T	98	1125	L1	79	363M
EJMM3613T-G	97	1288	L1	81	363M
EJMM3615T	98	1047	L1	93	3642M
EJMM3615T-G	97	1209	L1	93	3642M
EJMM3616T	98	1392	L1	101	3646M
EJMM3709T	98	1474	L1	125	3728M
EJMM3709T-G	97	1692	L1	124	3728M
EJMM3710T	98	1593	L1	134	3736M
EJMM3710T-G	97	1812	L1	134	3736M
EJMM3711T	98	1692	L1	130	3729M
EJMM3711T-G	97	1911	L1	124	3729M
EJMM3714T	98	1872	L1	165	3752M
EJMM3714T-G	97	2091	L1	165	3752M
EJMM4103T	99	4097	L1	387	146M
EJMM4104T	99	4854	L1	422	156M
EJMM4106T	99	3404	L1	281	936M
EJMM4106T-G	97	3654	L1	274	936M
EJMM4107T	99	3955	L1	353	946M
EJMM4108T	99	5439	L1	406	142M

⁽¹⁾ Shipping weight is approximate.

Catalog Number	Page Number	List Price	Mult Sym.	Ship Weight ⁽¹⁾	Type Code
EJMM4109T	99	6159	L1	487	158M
EJMM4110T	99	6310	L1	586	1254M
EJMM4114T	99	7453	L1	595	1252M
EJMM4115T	99	7585	L1	624	1272M
EJPM2333T	99	3064	L1	265	944M
EJPM2334T	99	3457	L1	300	952M
EJPM2394T	99	3091	L1	260	93M
EJPM2513T	101	2511	L1	219	3938M
EJPM2514T	101	2793	L1	220	3928M
EJPM2515T	101	3008	L1	236	3944M
EJPM2516T	101	3310	L1	230	3938M
EJPM2531T	101	3578	L1	335	45M
EJPM2534T	101	4207	L1	310	3948M
EJPM2535T	101	4286	L1	372	452M
EJPM2538T	102	5065	L1	329	3956M
EJPM2539T	102	5210	L1	458	425M
EJPM2542T	102	5710	L1	424	4248M
EJPM2543T	102	6025	L1	500	4256M
EJPM3312T	101	1723	L1	122	3728M
EJPM3313T	101	1698	L1	138	3739M
EJPM3314T	101	2218	L1	134	3734M
EJPM3714T	98	1872	L1	165	3752M
EJPM4103T	99	4097	L1	412	146M
EJPM4104T	99	4854	L1	452	156M
EJPM4106T	99	3404	L1	264	932M
EJPM4107T	99	3955	L1	349	946M
EJPM4108T	99	5439	L1	405	138M
EJPM4109T	99	6159	L1	498	158M
EJPM4110T	99	6310	L1	602	1254M
EJPM4114T	99	7453	L1	604	1252M
EJPM4115T	99	7585	L1	646	1272M
EJPM71147T-I	86	2804	L1	225	735M
EJPM71170T-I	86	3473	L1	252	75M
EJPM7142T-I	86	2112	L1	127	632M
EJPM7144T-I	86	2472	L1	152	641M
EL1203	14	365	K	23	3414LC
EL1205	14	333	K	27	342LC
EL1301	14	431	K	26	3418LC
EL1303	14	367	K	23	3413LC
EL1304	14	494	K	30	3424LC
EL1306	14	447	K	29	3424LC
EL1307	14	608	K	38	3524LC
EL1309	14	470	K	32	3428LC
EL1310	14	663	K	43	3528LC
EL1313	15	658	K	37	3432LC
EL1317	15	875	K	47	3528LC
EL1319	15	868	K	50	3535LC
EL1319T	15	839	L1	50	3535LC
EL1405T	15	1014	L1	65	3623LC
EL1406T	15	1068	L1	70	3628LC
EL1408T	15	1062	L1	81	3634LC
EL1409T	15	1268	L1	79	3634LC
EL1410T	15	1213	L1	97	3646LC
EL3403	10	420	K	24	3414LC

Catalog Number	Page Number	List Price	Mult Sym.	Ship Weight ⁽¹⁾	Type Code
EL3405	10	402	K	27	342LC
EL3501	10	464	K	27	3418LC
EL3503	10	455	K	23	3413LC
EL3504	10	547	K	30	3424LC
EL3506	10	512	K	29	3424LC
EL3507	10	666	K	44	3528LC
EL3509	11	591	K	38	352LC
EL3510	11	765	K	45	3532LC
EL3514	11	871	K	58	354LC
EL3514T	11	871	L1	58	354LC
EL3515T	11	1022	L1	56	3535LC
EL3605T	11	1191	L1	66	3623LC
EL3606T	11	1112	L1	79	3634LC
EL3608T	11	1533	L1	91	364LC
EL3609T	11	1390	L1	89	364LC
EL3612T	11	1658	L1	97	3646LC
EM2276T	19	2549	L1	278	95M
EM2276T-BG	108	2812	L1	310	95M
EM2276T-G	111	2842	L1	281	95M
EM2332T	19	2909	L1	290	954M
EM2332T-BG	108	3172	L1	310	954M
EM2332T-G	111	3202	L1	291	954M
EM2333T	19	2306	LS	270	944M
EM2333T-5	160	2306	LS	258	942M
EM2333T-5G	112	2599	L1	250	942M
EM2333T-8	156	2375	L1	255	936M
EM2333T-8G	112	2599	L1	254	936M
EM2333T-BG	108	2569	L1	274	936M
EM2333T-G	111	2599	L1	270	944M
EM2334T	19	2796	LS	289	952M
EM2334T-12	19	2865	L1	291	952M
EM2334T-5	160	2796	LS	290	952M
EM2334T-5G	112	3089	L1	293	952M
EM2334T-8	156	2881	L1	292	952M
EM2334T-BG	108	3059	L1	290	952M
EM2334T-G	111	3089	L1	295	952M
EM2394T	19	2520	L1	241	93M
EM2394T-5	160	2520	L1	245	93M
EM2394T-8	156	2582	L1	240	93M
EM2394T-BG	108	2783	L1	253	93M
EM2394T-G	111	2813	L1	239	93M
EM2506T	27	1739	L1	239	395M
EM2506T-BG	110	2002	L1	248	395M
EM2506T-G	113	2032	L1	243	395M
EM2511T	27	2263	L1	255	3954M
EM2511T-BG	110	2526	L1	255	3954M
EM2511T-G	113	2556	L1	255	3954M
EM2513T	27	2367	LS	211	3938M
EM2513T-5	168	2367	LS	273	3938M
EM2513T-5G	114	2660	L1	210	3938M
EM2513T-8	157	2120	L1	209	3938M
EM2513T-8G	114	2660	L1	234	3938M
EM2513T-BG	110	2630	L1	234	3938M
EM2513T-CI	27	2253	L1	238	936M

⁽¹⁾ Shipping weight is approximate.

Motor
Accessories

PT Components

Grinders

Baldor
Mod Express

ABB
Mod Express

ABB ATEX
Mod Express

Product
Index

Motor
Accessories

PT
Components

Grinders

Baldor
Mod Express

ABB
Mod Express

ABB ATEX
Mod Express

Product
Index

Catalog Number	Page Number	List Price	Mult Sym.	Ship Weight ⁽¹⁾	Type Code
EM2513T-G	113	2660	L1	210	3938M
EM2514T	27	2402	L1	191	3928M
EM2514T-8	157	2464	L1	190	3928M
EM2514T-G	113	2695	L1	195	3928M
EM2515T	27	2597	L1	225	3944M
EM2515T-12	27	2647	L1	225	3944M
EM2515T-5	168	2597	L1	227	3944M
EM2515T-5G	114	2890	L1	250	3944M
EM2515T-8	157	2661	L1	227	3944M
EM2515T-8G	114	2890	L1	250	3944M
EM2515T-BG	110	2860	L1	228	3944M
EM2515T-CI	27	2831	L1	281	946M
EM2515T-G	113	2890	L1	227	3944M
EM2516T	27	2884	L1	222	3938M
EM2516T-8	157	2957	L1	220	3938M
EM2516T-G	113	3177	L1	212	3938M
EM2524T	27	3051	L1	278	438M
EM2524T-BG	110	3350	L1	300	438M
EM2524T-G	113	3428	L1	280	438M
EM25254T-4	28	17108	L1	2036	A441M
EM2528T	27	3713	L1	302	444M
EM2528T-BG	110	4012	L1	321	444M
EM2528T-G	113	4090	L1	299	444M
EM2531T	27	3166	L1	327	45M
EM2531T-12	27	3227	L1	307	45M
EM2531T-5	168	3166	L1	312	45M
EM2531T-5G	114	3543	L1	328	45M
EM2531T-8	157	3244	L1	311	45M
EM2531T-8G	114	3543	L1	330	45M
EM2531T-BG	110	3465	L1	387	45M
EM2531T-CI	27	3451	L1	382	146M
EM2531T-G	113	3543	L1	314	45M
EM2532T	27	4485	L1	411	472M
EM2532T-G	113	4941	L1	384	472M
EM2534T	27	3404	L1	308	44M
EM2534T-G	113	3781	L1	311	44M
EM2535T	27	3462	L1	336	452M
EM2535T-12	27	3532	L1	339	452M
EM2535T-5	168	3462	L1	333	452M
EM2535T-5G	114	3839	L1	340	452M
EM2535T-8	157	3548	L1	278	452M
EM2535T-8G	114	3839	L1	340	452M
EM2535T-BG	110	3761	L1	341	452M
EM2535T-CI	27	3773	L1	240	15M
EM2535T-G	113	3839	L1	337	452M
EM2536T	27	4678	L1	463	484M
EM2536T-G	113	5134	L1	457	484M
EM2538T	27	4385	L1	329	446M
EM2538T-8	157	4495	L1	362	446M
EM2538T-CI	27	4780	L1	402	146M
EM2538T-G	113	4762	L1	328	446M
EM2539T	27	4516	L1	392	464M
EM2539T-12	27	4606	L1	397	464M
EM2539T-5	168	4516	L1	397	464M

Catalog Number	Page Number	List Price	Mult Sym.	Ship Weight ⁽¹⁾	Type Code
EM2539T-5G	114	4972	L1	400	464M
EM2539T-8	157	4629	L1	434	464M
EM2539T-8G	114	4972	L1	390	464M
EM2539T-BG	110	4882	L1	324	464M
EM2539T-CI	27	4923	L1	538	125M
EM2539T-G	113	4972	L1	389	464M
EM2540T	27	6327	L1	598	4278M
EM2540T-CI	27	6664	L1	801	A3662M
EM2540T-G	113	7170	L1	606	4278M
EM2542T	27	4776	L1	394	458M
EM2542T-CI	27	5416	L1	548	125M
EM2542T-G	113	5232	L1	392	458M
EM2543T	27	4983	L1	467	4256M
EM2543T-12	27	5089	L1	468	4256M
EM2543T-5	168	4983	L1	465	4256M
EM2543T-8	157	5107	L1	467	4256M
EM2543T-BG	110	5349	L1	497	4256M
EM2543T-CI	27	5433	L1	570	1256M
EM2543T-G	113	5439	L1	473	4256M
EM2543TS-12	27	5089	L1	469	4256M
EM2544T	27	7641	L1	762	4466M
EM2544T-CI	27	8068	L1	722	A3652M
EM2546T	27	6043	L1	458	425M
EM2547T	27	6274	L1	615	4278M
EM2547T-12	27	6406	L1	620	4278M
EM2547T-5	168	6274	L1	620	4278M
EM2547T-8	157	6431	L1	623	4278M
EM2547T-CI	27	6838	L1	745	A365M
EM2547T-G	113	7117	L1	616	4278M
EM2547TS-12	27	6406	L1	613	4278M
EM2548T	27	9413	L1	888	448M
EM2548T-4CI	27	10242	L1	1009	A452M
EM2549T	28	7926	L1	502	4254M
EM2550T	28	8473	L1	562	4266M
EM2551T	28	7701	L1	744	4462M
EM2551T-12	28	7861	L1	758	4462M
EM2551T-5	168	7701	L1	740	4462M
EM2551T-8	157	7892	L1	783	A3656M
EM2551T-CI	28	8392	L1	762	A3656M
EM2551T-G	113	8543	L1	750	4462M
EM2551TS-12	28	7861	L1	749	4462M
EM2552T-4	28	11403	L1	1067	A464M
EM2554T-4	28	10633	L1	894	4476M
EM2554T-4CI	28	12687	L1	997	A448M
EM2555T	28	8959	L1	930	4484M
EM2555T-12	28	9139	L1	946	4484M
EM2555T-4	28	8959	L1	896	4476M
EM2555T-4G	113	10158	L1	898	4476M
EM2555T-5	168	8959	L1	943	4484M
EM2555T-8	157	9183	L1	906	4476M
EM2555T-CI	28	9765	L1	1038	A452M
EM2555TS-12	28	9139	L1	941	4484M
EM2556T-4	28	13117	L1	980	4464M
EM2557T-4	28	13555	L1	1513	A4462M

⁽¹⁾ Shipping weight is approximate.

Catalog Number	Page Number	List Price	Mult Sym.	Ship Weight ⁽¹⁾	Type Code
EM2558T-4	28	12208	L1	1528	A4462M
EM2558T-5	168	12208	L1	1535	A4462M
EM2558TS-4	28	12208	L1	1519	A4462M
EM2559T-4	28	10991	L1	955	4488M
EM2559T-4CI	28	11978	L1	1118	A464M
EM2559T-5	168	10991	L1	960	4488M
EM2559TS-4	28	10991	L1	1238	4488M
EM2560T-4	28	15963	L1	1572	A4472M
EM2562T-4	28	14864	L1	1364	A4456M
EM2563T-4	28	15256	L1	1625	A4472M
EM2564T-4	28	20984	L1	1827	A449M
EM25694T-4	28	26089	L1	2226	A44112M
EM2583T-4	28	12551	L1	1455	A4456M
EM3115	26	548	K	28	3513M
EM3115-G	113	703	K	28	3513M
EM3116T	26	711	LS	34	3519M
EM3116T-5	168	711	LS	34	3519M
EM3116T-5G	114	877	L1	38	3519M
EM3116T-8	157	637	L1	34	3519M
EM3116T-8G	114	877	L1	38	3519M
EM3116T-BG	110	877	L1	38	3519M
EM3116T-G	113	877	L1	34	3519M
EM3120T	26	612	L1	33	3518M
EM3120T-G	113	778	L1	34	3518M
EM3154T	26	743	LS	37	3522M
EM3154T-5	168	743	LS	37	3522M
EM3154T-5G	114	909	L1	37	3522M
EM3154T-8	157	665	L1	37	3522M
EM3154T-8G	114	909	L1	37	3522M
EM3154T-BG	110	909	L1	37	3522M
EM3154T-G	113	909	L1	38	3522M
EM3155T	26	718	L1	41	3524M
EM3155T-BG	110	884	L1	43	3524M
EM3155T-G	113	884	L1	41	3524M
EM3156T	26	727	L1	36	3524M
EM3156T-G	113	893	L1	40	3524M
EM3157T	26	796	LS	40	3525M
EM3157T-5	168	796	LS	39	3525M
EM3157T-5G	114	962	L1	43	3525M
EM3157T-8	157	714	L1	40	3525M
EM3157T-8G	114	962	L1	43	3525M
EM3157T-BG	110	962	L1	43	3528M
EM3157T-G	113	962	L1	41	3525M
EM3157TA	26	825	L1	44	3528M
EM3158T	27	727	L1	46	353M
EM3158T-BG	110	893	L1	51	353M
EM3158T-G	113	893	L1	46	353M
EM3207T	26	851	L1	66	3628M
EM3207T-G	113	1048	L1	67	3628M
EM3211T	27	858	LS	69	363M
EM3211T-5	168	858	LS	69	363M
EM3211T-5G	114	1055	L1	74	363M
EM3211T-8	157	769	L1	71	363M
EM3211T-8G	114	1055	L1	74	363M

Catalog Number	Page Number	List Price	Mult Sym.	Ship Weight ⁽¹⁾	Type Code
EM3211T-BG	110	1055	L1	74	3631M
EM3211T-G	113	1055	L1	72	363M
EM3211TA	27	967	L1	65	3631M
EM3212T	27	794	L1	61	3623M
EM3212T-BG	110	991	L1	63	3623M
EM3212T-G	113	991	L1	63	3623M
EM3215T	26	870	L1	79	3636M
EM3215T-G	113	1067	L1	79	3636M
EM3218T	27	940	LS	84	364M
EM3218T-5	168	940	LS	82	364M
EM3218T-5G	114	1137	L1	92	364M
EM3218T-8	157	842	L1	84	364M
EM3218T-8G	114	1137	L1	92	364M
EM3218T-BG	110	1137	L1	92	364M
EM3218T-G	113	1137	L1	84	364M
EM3218TA	27	1023	L1	84	364M
EM3219T	27	1259	L1	74	3632M
EM3219T-BG	110	1456	L1	77	3632M
EM3219T-G	113	1456	L1	75	3632M
EM3305T	27	1107	L1	119	3733M
EM3305T-BG	110	1328	L1	110	3733M
EM3305T-G	113	1328	L1	110	3733M
EM3309T	27	1451	L1	139	3744M
EM3309T-BG	110	1672	L1	141	3744M
EM3309T-G	113	1672	L1	141	3744M
EM3311T	27	1381	LS	115	3733M
EM3311T-5	168	1381	LS	114	3733M
EM3311T-5G	114	1602	L1	114	3733M
EM3311T-8	157	1237	L1	114	3733M
EM3311T-8G	114	1602	L1	120	3733M
EM3311T-BG	110	1602	L1	120	3733M
EM3311T-G	113	1602	L1	115	3733M
EM3312T	27	1440	L1	121	3728M
EM3312T-BG	110	1661	L1	121	3728M
EM3312T-G	113	1661	L1	113	3728M
EM3313T	27	1672	LS	128	3739M
EM3313T-5	168	1672	LS	123	3739M
EM3313T-5G	114	1893	L1	132	3739M
EM3313T-8	157	1496	L1	129	3739M
EM3313T-8G	114	1893	L1	132	3739M
EM3313T-BG	110	1893	L1	132	3739M
EM3313T-G	113	1893	L1	127	3739M
EM3314T	27	2045	L1	124	3734M
EM3314T-BG	110	2266	L1	131	3734M
EM3314T-G	113	2266	L1	126	3734M
EM3538	17	660	LS	29	3513M
EM3545	18	641	K	37	3516M
EM3545-G	111	796	K	32	3516M
EM3546	18	738	LS	35	3519M
EM3546T	18	706	LS	35	3519M
EM3546T-5	159	706	LS	34	3519M
EM3546T-5G	112	872	L1	35	3519M
EM3546T-8	156	727	L1	35	3519M
EM3546T-BG	108	872	L1	38	3519M

⁽¹⁾ Shipping weight is approximate.

Motor
Accessories

PT Components

Grinders

Baldor
Mod Express

ABB
Mod Express

ABB ATEX
Mod Express

Product
Index

Motor
Accessories
PT Components
Grinders
Mod Express
ABB
Mod Express
ABB ATEX
Mod Express
Product Index

Catalog Number	Page Number	List Price	Mult Sym.	Ship Weight ⁽¹⁾	Type Code
EM3546T-G	111	872	L1	36	3519M
EM3550	18	679	K	35	352M
EM3550T	18	726	L1	36	352M
EM3550T-5	159	726	L1	36	352M
EM3550T-G	111	892	L1	36	352M
EM3554	18	820	LS	40	3526M
EM3554T	18	734	LS	41	3526M
EM3554T-5	159	734	LS	42	3526M
EM3554T-5G	112	900	L1	42	3526M
EM3554T-8	156	756	L1	43	3526M
EM3554T-BG	108	900	L1	41	3526M
EM3554T-G	111	900	L1	42	3526M
EM3555	18	747	K	42	3526M
EM3555T	18	795	L1	43	3526M
EM3555T-5	159	795	L1	43	3526M
EM3555T-BG	108	961	L1	41	3526M
EM3555T-G	111	961	L1	46	3526M
EM3556	18	841	K	42	3526M
EM3556T	18	846	L1	42	3526M
EM3556T-5	159	846	L1	40	3526M
EM3556T-G	111	1012	L1	43	3526M
EM3558	18	867	LS	46	3528M
EM3558T	18	761	LS	45	3528M
EM3558T-5	159	761	LS	46	3528M
EM3558T-5G	112	927	L1	46	3528M
EM3558T-8	156	783	L1	46	3528M
EM3558T-BG	108	927	L1	45	3528M
EM3558T-G	111	927	L1	42	3528M
EM3559T	18	871	L1	49	3532M
EM3559T-5	159	892	L1	60	3532M
EM3559T-BG	108	1037	L1	50	3532M
EM3559T-G	111	1037	L1	53	3532M
EM3581T	18	913	L1	51	519M
EM3582T	18	1023	L1	56	524M
EM3583T	18	966	L1	52	52M
EM3584T	18	947	L1	57	526M
EM3586T	18	1014	L1	59	526M
EM3587T	18	993	L1	58	527M
EM3607T	18	989	L1	73	3632M
EM3607T-5	159	989	L1	73	3632M
EM3607T-G	111	1186	L1	76	3632M
EM3610T	18	882	L1	50	3532M
EM3610T-G	111	1079	L1	57	3532M
EM3611T	18	840	LS	73	3631M
EM3611T-5	159	840	LS	73	3631M
EM3611T-5G	112	1037	L1	76	3631M
EM3611T-8	156	862	L1	72	3631M
EM3611T-BG	108	1037	L1	70	3631M
EM3611T-G	111	1037	L1	74	3631M
EM3613T	18	978	L1	75	363M
EM3613T-5	159	978	L1	75	363M
EM3613T-BG	108	1175	L1	74	363M
EM3613T-G	111	1175	L1	76	363M
EM3614T	18	1037	L1	93	3644M

Catalog Number	Page Number	List Price	Mult Sym.	Ship Weight ⁽¹⁾	Type Code
EM3614T-5	159	1037	L1	90	3644M
EM3614T-G	111	1234	L1	94	3644M
EM3615T	18	919	LS	93	3642M
EM3615T-5	159	919	LS	89	3642M
EM3615T-5G	112	1116	L1	84	3642M
EM3615T-BG	108	1116	L1	93	3642M
EM3615T-G	111	1116	L1	89	3642M
EM3616T	19	1290	L1	98	3646M
EM3616T-5	159	1290	L1	98	3646M
EM3660T	18	1096	L1	84	619M
EM3660T-8	156	1123	L1	82	619M
EM3661T	18	1127	L1	97	632M
EM3661T-5	159	1127	L1	97	632M
EM3661T-8	156	1155	L1	96	632M
EM3663T	18	1349	L1	88	624M
EM3663T-8	156	1382	L1	88	624M
EM3664T	18	1237	L1	109	642M
EM3665T	18	1153	L1	107	641M
EM3665T-5	159	1153	L1	108	641M
EM3665T-8	156	1156	L1	108	641M
EM3665T-8G	112	1350	L1	119	641M
EM3667T	18	1217	L1	93	63M
EM3704T	18	1349	L1	134	3739M
EM3704T-5	159	1349	L1	129	3739M
EM3704T-BG	108	1570	L1	132	3739M
EM3704T-G	111	1570	L1	135	3739M
EM3708T	18	1524	L1	154	3748M
EM3708T-5	159	1524	L1	154	3748M
EM3708T-BG	108	1745	L1	154	3748M
EM3708T-G	111	1745	L1	154	3748M
EM3709T	19	1465	L1	116	3728M
EM3709T-5	159	1465	L1	115	3728M
EM3709T-BG	108	1686	L1	121	3728M
EM3709T-G	111	1686	L1	133	3728M
EM3710T	19	1326	LS	128	3736M
EM3710T-5	159	1326	LS	123	3736M
EM3710T-5G	112	1547	L1	126	3736M
EM3710T-BG	108	1547	L1	127	3736M
EM3710T-G	111	1547	L1	129	3736M
EM3711T	19	1485	L1	120	3729M
EM3711T-5	159	1485	L1	119	3729M
EM3711T-BG	108	1706	L1	118	3729M
EM3711T-G	111	1706	L1	118	3729M
EM3713T	19	2095	L1	169	3752M
EM3713T-5	160	2095	L1	169	3752M
EM3714T	19	1497	LS	162	3752M
EM3714T-5	159	1497	LS	165	3752M
EM3714T-5G	112	1718	L1	165	3752M
EM3714T-BG	108	1718	L1	165	3752M
EM3714T-G	111	1718	L1	156	3752M
EM3764T	18	1541	L1	173	735M
EM3768T	18	1788	L1	195	746M
EM3769T	19	1561	L1	165	726M
EM3769T-8	156	1599	L1	155	724M

⁽¹⁾ Shipping weight is approximate.

Catalog Number	Page Number	List Price	Mult Sym.	Ship Weight ⁽¹⁾	Type Code	Catalog Number	Page Number	List Price	Mult Sym.	Ship Weight ⁽¹⁾	Type Code
EM3770T	19	1504	L1	170	735M	EM4111T-G	111	6301	L1	507	172M
EM3770T-5	159	1504	L1	170	735M	EM4114T	19	6429	L1	578	1252M
EM3770T-8	156	1541	L1	170	735M	EM4114T-5	160	6429	L1	574	1252M
EM3770T-8G	112	1725	L1	170	735M	EM4114T-G	111	6885	L1	584	1252M
EM3771T	19	1830	L1	182	729M	EM4115T	19	6199	LS	640	1272M
EM3771T-8	156	1875	L1	182	729M	EM4115T-12	19	6338	L1	652	1272M
EM3774T	19	1687	L1	191	748M	EM4115T-5	160	6199	LS	623	1266M
EM3774T-5	159	1687	L1	185	748M	EM4115T-5G	112	6655	L1	644	1272M
EM3774T-8	156	1730	L1	189	748M	EM4115T-8	156	6387	L1	621	1266M
EM3774T-8G	112	1908	L1	231	748M	EM4115T-BG	108	6565	L1	641	1272M
EM4100T	19	3880	L1	391	146M	EM4115T-G	111	6655	L1	648	1272M
EM4100T-BG	108	4179	L1	372	146M	EM4115TS	19	6281	L1	639	1272M
EM4100T-G	111	4257	L1	369	146M	EM4117T	19	6753	L1	604	1264M
EM4102T	19	5166	L1	399	154M	EM4117T-G	111	7209	L1	604	1264M
EM4102T-BG	108	5465	L1	406	154M	EM4118T	19	3226	L1	305	95M
EM4102T-G	111	5543	L1	393	154M	EM4308T	19	8414	L1	899	A3662M
EM4103T	19	3657	LS	436	146M	EM4308T-G	111	9257	L1	883	A3662M
EM4103T-12	19	3742	L1	600	146M	EM4310T	19	9032	L1	810	A3656M
EM4103T-5	160	3657	LS	380	152M	EM4310T-G	112	9875	L1	900	A3656M
EM4103T-5G	112	4034	L1	364	152M	EM4312T	19	10167	L1	902	A3662M
EM4103T-8	156	3767	L1	382	146M	EM4312T-G	111	11010	L1	910	A3662M
EM4103T-BG	108	3956	L1	420	146M	EM4313T	19	10507	L1	980	A3668M
EM4103T-G	111	4034	L1	380	146M	EM4313T-G	112	11350	L1	966	A3668M
EM4104T	19	4338	LS	408	156M	EM4314T	19	8919	LS	912	A3662M
EM4104T-12	19	4356	L1	425	156M	EM4314T-12	19	9136	L1	850	A3662M
EM4104T-5	160	4338	LS	408	156M	EM4314T-5	160	8919	LS	919	A3662M
EM4104T-5G	112	4715	L1	423	156M	EM4314T-G	112	9763	L1	907	A3662M
EM4104T-8	156	4470	L1	413	156M	EM4314TS	19	8938	L1	907	A3662M
EM4104T-BG	108	4637	L1	437	156M	EM4316T	19	10429	LS	955	A3668M
EM4104T-G	111	4715	L1	410	156M	EM4316T-12	19	10695	L1	955	A367M
EM4106T	19	2766	L1	259	936M	EM4316T-5	160	10429	LS	958	A367M
EM4106T-5	160	2766	L1	252	932M	EM4316T-G	112	11273	L1	956	A367M
EM4106T-8	156	2834	L1	242	932M	EM4316TS	19	10451	L1	946	A367M
EM4106T-G	111	3059	L1	261	936M	EM4400T	20	12952	LS	1203	A464M
EM4107T	19	3609	L1	327	946M	EM4400T-12	20	12954	L1	1211	A464M
EM4107T-5	160	3609	L1	335	95M	EM4400T-5	160	12952	LS	1208	A464M
EM4107T-8	156	3697	L1	305	938M	EM4400T-G	112	14152	L1	1214	A464M
EM4107T-G	111	3986	L1	323	946M	EM4400TS	20	12978	L1	1206	A464M
EM4108T	19	4288	L1	347	95M	EM4402T-4	20	13434	L1	1187	A46M
EM4108T-5	160	4288	L1	331	948M	EM4403T	19	12341	L1	1187	A464M
EM4108T-8	156	4395	L1	324	948M	EM4404T	19	14371	L1	1229	A472M
EM4108T-G	111	4665	L1	336	95M	EM4406T-4	20	18443	LS	1826	A4488M
EM4109T	19	5877	L1	350	124M	EM4406T-5	160	18443	LS	2151	A4488M
EM4109T-5	160	5877	L1	522	124M	EM4406T-5E	160	18443	LS	1770	A4478M
EM4109T-G	111	6333	L1	532	124M	EM4406TR-4	20	19708	L1	1826	A4488M
EM4110T	19	5673	LS	425	1254M	EM4406TS-4	20	18481	L1	2071	A4488M
EM4110T-12	19	5808	L1	601	126M	EM4407T-4	20	23119	L1	2497	A4412M
EM4110T-5	160	5673	LS	575	1254M	EM4407T-4E	20	23119	L1	2308	A4416M
EM4110T-5G	112	6129	L1	576	1254M	EM4407TR-4	20	23184	L1	2531	A4412M
EM4110T-8	156	5845	L1	576	1254M	EM4407TS-4	20	23119	L1	2487	A4412M
EM4110T-BG	108	6039	L1	578	126M	EM4409T-4	20	17345	L1	1828	A4464M
EM4110T-G	111	6129	L1	596	1254M	EM4410T-4	20	16033	LS	1969	A4476M
EM4111T	19	5845	L1	445	172M	EM4410T-5	160	16033	LS	2041	A4476M
EM4111T-BG	108	6211	L1	475	172M	EM4410T-5E	160	16033	LS	1626	A4462M

⁽¹⁾ Shipping weight is approximate.

Motor
Accessories
PT Components
Grinders
Baldor
Mod Express
ABB
Mod Express
ABB ATEX
Mod Express

Product
Index

Motor
Accessories

PT
Components

Grinders

Baldor
Mod Express

ABB
Mod Express

ABB ATEX
Mod Express

Product
Index

Catalog Number	Page Number	List Price	Mult Sym.	Ship Weight ⁽¹⁾	Type Code
EM4410TR-4	20	17261	L1	1988	A4476M
EM4410TS-4	20	16066	L1	2001	A4476M
EM4411T-4	20	20405	L1	2073	A449M
EM4412T-4	20	16605	L1	1901	A4468M
EM4413T-4	20	19538	L1	1995	A4478M
EM44156T-4	20	23372	L1	2571	A4412M
EM4416T-4	20	23416	L1	2355	A4414M
EM44206T-4	20	28836	L1	3017	A4416M
EM44252TS-2340	55	33234	LG	2338	
EM44254T-2340	55	36300	LG	2694	
EM44302TS-2340	55	40255	LG	3149	
EM44304T-2340	55	36979	LG	3676	
EM4906T-4	20	18443	LS	2169	A4488M
EM4906T-5	160	18443	LS	1826	A4488M
EM4907T-4	20	23119	L1	2517	A4412M
EM4910T-5	160	16033	LS	2041	A4476M
EM4910TS-4	20	16066	L1	2080	A4476M
EM4911T-4	20	20405	L1	1874	A449M
EM4912T-4	20	16605	L1	1539	A4468M
EM49156T-4	20	23372	L1	2000	A4412M
EM4916T-4	20	23372	L1	2000	A4412M
EM49206T-4	20	28836	L1	3017	A4416M
EM50352S-2340	55	43766	LG	4780	
EM50354L-2340	55	44000	LG	5325	
EM50402S-2340	55	48213	LG	4780	
EM50404L-2340	55	47745	LG	5325	
EM50406LR-2340	55	54064	LG	5867	
EM50452S-2340	55	56872	LG	4871	
EM50454L-2340	55	51957	LG	5540	
EM50456LR-2340	55	62021	LG	6000	
EM50502S-2340	55	62021	LG	4920	
EM50504L-2340	55	59681	LG	5750	
EM50506LR-2340	55	70915	LG	6069	
EM50602S-2340	55	67872	LG	5071	
EM50604L-2340	55	70213	LG	5809	
EM50704L-2340	55	77234	LG	5867	
EM50804L-2340	55	89872	LG	6100	
EM581004L-2340	55	108596	LG	10500	
EM58606LR-2340	55	78404	LG	9460	
EM58802S-2340	55	89362	LG	8280	
EM58904L-2340	55	94553	LG	10000	
EM7013T-I	82	23416	L1	2330	A4414M
EM7013T-I-5	82, 171	28836	L1	3017	A4416M
EM7014T	76	1266	L1	44	3519M
EM7014T-5	80, 170	1266	LS	45	3519M
EM7014T-I	82	1277	SD	55	3519M
EM7014T-I-5	82, 171	1277	SD	51	3519M
EM7018T	76	1158	L1	45	352M
EM7018T-5	80, 170	1158	L1	45	352M
EM7018T-I	82	1288	SD	54	352M
EM7020T	76	1949	L1	85	3632M
EM7020T-I	82	1949	SD	108	3632M
EM7026T	76	1484	L1	73	3622M
EM7026T-I	82	1613	SD	91	3622M

Catalog Number	Page Number	List Price	Mult Sym.	Ship Weight ⁽¹⁾	Type Code
EM7026T-I-5	82, 171	1613	SD	91	3628M
EM7032T	76	1416	L1	52	3526M
EM7032T-I	82	1416	SD	62	3526M
EM7034T	76	1311	L1	51	3526M
EM7034T-5	80, 170	1311	LS	51	3526M
EM7034T-I	82	1323	SD	61	3526M
EM7036T	76	2188	L1	170	3739M
EM7036T-I	82	2188	SD	185	3739M
EM7037T	76	1431	L1	56	3528M
EM7037T-5	80, 170	1431	LS	54	3528M
EM7037T-I	82	1442	SD	65	353M
EM7037T-I-5	82, 171	1442	SD	59	3528M
EM7040T	76	2868	L1	170	3748M
EM7040T-I	82	2868	SD	170	3748M
EM7041T	76	2008	L1	102	3644M
EM7041T-I	82	2008	SD	119	3644M
EM7042T	76	1520	L1	84	3631M
EM7042T-5	80, 170	1520	L1	84	3631M
EM7042T-I	82	1521	SD	107	3631M
EM7042T-I-5	82, 171	1521	SD	106	3631M
EM7044T	76	1883	L1	105	3642M
EM7044T-5	80, 170	1883	L1	105	3642M
EM7044T-I	82	1886	SD	122	3643M
EM7044T-I-5	82, 171	1886	SD	126	3643M
EM7045T	76	2407	L1	166	3728M
EM7045T-I	82	2407	SD	166	3728M
EM7045T-I-5	82, 171	2407	SD	149	3728M
EM7047T	76	2500	L1	161	3736M
EM7047T-5	80, 170	2500	L1	161	3736M
EM7047T-I	82	2325	SD	161	3736M
EM7047T-I-5	82, 171	2325	SD	161	3736M
EM7048T	76	3396	L1	382	95M
EM7048T-I	82	3396	SD	389	95M
EM7053T	76	3201	L1	229	93M
EM7053T-I	82	3201	SD	352	934M
EM7053T-I-5	82, 171	3201	SD	349	934M
EM7054T	76	3751	L1	377	942M
EM7054T-5	80, 170	4291	LS	364	942M
EM7054T-C	76	3843	L1	378	942M
EM7054T-I	82	3766	SD	375	942M
EM7054T-I-5	82, 171	3766	SD	374	942M
EM7056T	77	4860	L1	396	952M
EM7056T-5	80, 170	4860	LS	396	952M
EM7056T-C	77	4962	L1	399	952M
EM7056T-I	83	4714	SD	399	952M
EM7056T-I-5	83, 171	4714	SD	397	952M
EM7057T	76	6581	L1	569	142M
EM7057T-I	82	6581	SD	529	142M
EM7058T	77	5896	L1	537	15M
EM7058T-5	80, 170	5896	LS	534	15M
EM7058T-C	77	6011	L1	595	15M
EM7058T-I	83	5918	SD	538	15M
EM7058T-I-5	83, 171	5918	SD	494	15M
EM7059T	77	4105	L1	361	936M

⁽¹⁾ Shipping weight is approximate.

Catalog Number	Page Number	List Price	Mult Sym.	Ship Weight ⁽¹⁾	Type Code
EM7059T-I	83	4105	SD	409	95M
EM7059T-I-5	83, 171	4105	SD	400	95M
EM7060T	77	7188	L1	689	156M
EM7060T-5	80, 170	7188	L1	553	156M
EM7060T-C	77	7307	L1	563	152M
EM7060T-I	83	7216	SD	579	156M
EM7060T-I-5	83, 171	7216	SD	573	156M
EM7062T	77	9633	L1	724	1254M
EM7062T-5	80, 170	9633	LS	729	1254M
EM7062T-C	77	9763	L1	748	1254M
EM7062T-I	83	9670	SD	756	1254M
EM7062T-I-5	83, 171	9670	SD	745	1254M
EM7063T	77	5463	L1	507	138M
EM7063T-I	83	5463	SD	552	138M
EM7063T-I-5	83, 171	5463	SD	445	138M
EM7064T	77	12818	LS	789	1272M
EM7064T-C	77	11336	L1	795	1272M
EM7064T-I	83	11249	SD	846	1276M
EM7064T-I-5	83, 171	11249	SD	841	1276M
EM7065T	76	4083	L1	403	956M
EM7065T-I	82	4083	SD	400	956M
EM7066T	77	14339	LS	1016	A3662M
EM7066T-C	77	12672	L1	1026	A3662M
EM7066T-I	83	12719	SD	1030	A3662M
EM7066T-I-5	83, 171	12719	SD	1015	A3662M
EM7067T	77	8565	L1	663	124M
EM7067T-I	83	8565	SD	684	1252M
EM7067T-I-5	83, 171	8565	SD	745	1252M
EM7068T	77	15134	L1	1063	A3668M
EM7068T-I	83	13240	SD	1055	A3668M
EM7068T-I-5	83, 171	13240	SD	1064	A3668M
EM7070T	76	2793	L1	189	3752M
EM7071T	76	1186	L1	52	3526M
EM7071T-5	80, 170	1186	L1	52	3526M
EM7071T-I	82	1408	SD	62	3526M
EM7071T-I-5	82, 171	1408	SD	50	3524M
EM7072T	76	1745	L1	93	363M
EM7072T-5	80, 170	1745	L1	94	363M
EM7072T-I	82	2003	SD	114	3634M
EM7072T-I-5	82, 171	2003	SD	91	3634M
EM7073T	76	2289	L1	108	3646M
EM7074T	76	2713	L1	175	3729M
EM7075T	76	1404	L1	59	3532M
EM7079T	77	6757	L1	539	154M
EM7079T-I	83	6757	SD	558	156M
EM7080T	77	9321	L1	763	1264M
EM7080T-I	83	9321	SD	782	1264M
EM7081T	77	10967	L1	450	1252M
EM7081T-I	83	10967	SD	740	1264M
EM7081T-I-5	83, 171	10967	SD	766	1264M
EM7082T	77	8449	L1	737	126M
EM7082T-I	83	8449	SD	762	126M
EM7083T	77	6421	L1	528	142M
EM7083T-I	83	6421	SD	565	146M

Catalog Number	Page Number	List Price	Mult Sym.	Ship Weight ⁽¹⁾	Type Code
EM7083T-I-5	83, 171	6421	SD	604	146M
EM7084T	77	10803	L1	1029	A3664M
EM7084T-I	83	10803	SD	1026	A3664M
EM7085T	77	12193	L1	1037	A3664M
EM7085T-I	83	12193	SD	1003	A3664M
EM7086T	77	14548	L1	1417	A472M
EM7086T-I	83	14246	SD	1418	A472M
EM7087T	77	16276	L1	1428	A472M
EM7087T-I	83	16276	SD	1411	A472M
EM7088T-I	83	19008	SD	1866	
EM7089T-I-4	83	21243	SD	2411	
EM7090T	77	17576	L1	1449	A472M
EM7090T-I	83	16981	SD	1437	A472M
EM7090T-I-5	83, 171	16981	SD	1446	A472M
EM7114T	76	1742	L1	78	519M
EM7114T-C	76	1444	L1	78	519M
EM7120T	76	2167	L1	136	63M
EM7126T	76	1995	L1	123	619M
EM7134T	76	1765	L1	84	526M
EM7134T-C	76	1478	L1	62	526M
EM7137T	76	1858	L1	86	527M
EM7137T-C	76	1519	L1	92	527M
EM7142T	76	1856	L1	138	632M
EM7142T-C	76	1643	L1	138	632M
EM7144T	76	2326	L1	152	641M
EM7144T-C	76	1981	L1	146	641M
EM7145T	76	2698	L1	154	726M
EM7147T	76	2756	L1	225	735M
EM7147T-C	76	2477	L1	225	735M
EM7170T	76	3525	LS	249	748M
EM7170T-5	80, 170	3525	L1	249	748M
EM7170T-C	76	3442	L1	249	748M
EM7170T-I	82	3138	SD	252	75M
EM7170T-I-5	82, 171	3138	SD	252	75M
EM7172T	76	2339	L1	131	624M
EM7174T	76	2831	L1	235	729M
EM7174T-I	82	2831	SD	235	729M
EM7174T-I-5	82, 171	2831	SD	212	729M
EM7310T-I	83	11779	SD	984	A3648M
EM7313T-I	83	13254	SD	993	A3652M
EM74124T-4	77	20539	L1	1900	A44062M
EM74124T-I-4	83	19841	SD	1900	A44062M
EM74154T-4	77	22954	L1	2455	A44106M
EM74154T-I-4	83	22174	SD	2455	A44106M
EM74204T-4	77	32808	L1	2993	A44144M
EM74204T-I-4	83	31693	SD	2993	A44144M
EM7536T-I	81	2264	SD	225	735M
EM7540T-I	81	2969	SD	234	A214M
EM7542T-I	81	1576	SD	141	632M
EM7544T-I	81	1952	SD	160	A1834M
EM7547T-I	81	2407	SD	225	735M
EM7548T-I	81	3515	SD	397	954M
EM7554T-I	81	3897	SD	375	942M
EM7556T-I	81	4879	SD	403	A2556M

⁽¹⁾ Shipping weight is approximate.

Motor
Accessories
PT Components
Grinders
Baldor
Mod Express
ABB
Mod Express
ABB ATEX
Mod Express
Product
Index

Motor
Accessories

PT
Components

Grinders

Baldor
Mod Express

ABB
Mod Express

ABB ATEX
Mod Express

Product
Index

Catalog Number	Page Number	List Price	Mult Sym.	Ship Weight ⁽¹⁾	Type Code
EM7558T-I	81	6124	SD	526	146M
EM7559T-I	81	4249	SD	394	A255M
EM7560T-I	81	7480	SD	499	A2854M
EM7562T-I	81	10008	SD	737	1256M
EM7564T-I	81	11644	SD	818	A3268M
EM7565T-I	81	4226	SD	395	A2554M
EM7566T-I	81	13164	SD	1023	A3662M
EM7568T-I	81	13703	SD	1072	A3668M
EM7572T-I	81	2072	SD	156	A1826M
EM7574T-I	81	2930	SD	215	A2136M
EM7585T-I	81	12619	SD	1038	A3664M
EM7587T-I	81	16847	SD	1368	A464M
EM7590T-I	81	17575	SD	1448	A472M
EM7596T-I	81	23711	SD	2038	A4478M
EM7599T-I	81	20869	SD	1854	A4462M
EM7600T-I	81	21217	SD	1881	A4462M
EM7670T-I	81	3250	SD	241	A2144M
EM8003T	48	1150	SD	58	519M
EM8004T	48	1186	SD	64	526M
EM8005T	48	1209	SD	65	527M
EM8006T	48	1440	SD	108	632M
EM8007T	48	1579	SD	119	641M
EM8008T	48	1840	SD	170	735M
EM8009T	48	2373	SD	231	748M
EM8010T	48	3237	SD	264	944M
EMM08112-PP	176	525	M	0	
EMM08256-PP	176	417	M	0	
EMM08376-PP	176	459	M	0	
EMM08554-PP	176	427	M	0	
EMM08556-PP	176	525	M	0	
EMM08752-PP	176	479	M	0	
EMM08754-PP	176	499	M	0	
EMM09114-PP	176	570	M1	73	
EMM09152-PP	176	622	M1	68	
EMM09154-PP	176	670	M1	75	
EMM09222-PP	176	783	M1	77	
EMM09756-PP	176	628	M1	42	
EMM10032-PP	176	929	M1	0	
EMM10034-PP	176	976	M1	0	
EMM10036-PP	176	1381	M1	0	
EMM10116-PP	176	773	M1	0	
EMM10224-PP	176	821	M1	0	
EMM10226-PP	176	1109	M1	0	
EMM11042-AP-50	174	902	M1	0	
EMM11042-PP	176	1107	M1	123	
EMM11044-PP	176	1160	M1	115	
EMM11156-PP	176	884	M1	0	
EMM13046-PP	176	1719	M1	0	
EMM13552-AP-50	174	1177	M1	0	
EMM13552-PP	176	1443	M1	170	
EMM13554-AP-50	174	1211	M1	0	
EMM13554-PP	176	1486	M1	179	
EMM13556-PP	176	2126	M1	0	
EMM13752-AP-50	174	1465	M1	0	

Catalog Number	Page Number	List Price	Mult Sym.	Ship Weight ⁽¹⁾	Type Code
EMM13752-PP	176	1797	M1	170	
EMM13754-AP-50	174	1530	M1	0	
EMM13754-PP	176	1877	M1	179	
EMM16112-AP	174	2411	M1	234	
EMM16112-PP	174	2699	M1	311	
EMM16114-AP	174	2461	M1	278	
EMM16114-PP	174	2755	M1	381	
EMM16116-AP	174	4587	M1	308	
EMM16152-AP	174	3135	M1	271	
EMM16152-PP	174	3510	M1	375	
EMM16154-AP	174	3194	M1	309	
EMM16154-PP	174	3575	M1	412	
EMM16182-AP	174	3780	M1	302	
EMM16182-PP	174	4231	M1	403	
EMM16756-AP	174	2614	M1	480	
EMM18156-AP	174	4424	M1	385	
EMM18184-AP	174	3604	M1	390	
EMM18184-PP	174	4034	M1	518	
EMM18222-AP	175	4249	M1	388	
EMM18222-PP	175	4756	M1	516	
EMM18224-AP	175	4336	M1	388	
EMM18224-PP	175	4854	M1	518	
EMM20186-AP	174	5274	M1	480	
EMM20226-AP	175	6212	M1	539	
EMM20302-PP	175	5937	M1	657	
EMM20304-PP	175	6166	M1	703	
EMM20372-PP	175	7806	M1	692	
EMM22374-PP	175	7511	M1	877	
EMM22452-PP	175	9381	M1	692	
EMM22454-PP	175	9053	M1	877	
EMM2333	187	2221	L1	250	944M
EMM2334	187	2696	L1	313	96M
EMM25552-PP	175	11382	M1	996	
EMM25554-PP	175	10922	M1	1049	
EMM28752-PP	175	13403	M1	1466	
EMM28754-PP	175	12976	M1	1466	
EMM28902-PP	175	15940	M1	1598	
EMM28904-PP	175	15059	M1	1598	
EMM3554	187	767	L1	44	3526M
EMM3555	187	733	L1	51	3532M
EMM3558	187	783	K	45	3528M
EMM3559	187	881	L1	51	3532M
EMM3611	187	879	L1	71	3631M
EMM3613	187	893	L1	78	3634M
EMM3615	187	954	L1	90	3642M
EMM3709	187	1347	L1	118	3728M
EMM3710	187	1365	L1	130	3736M
EMM3711	187	1412	L1	119	3729M
EMM3714	187	1544	L1	165	3752M
EMM4103	187	3544	L1	402	15M
EMM4104	187	4184	L1	424	156M
EMM4110	187	5482	L1	607	126M
EMM5650	183	675	K	28	
EMM5650-5	184	675	K	28	

⁽¹⁾ Shipping weight is approximate.

Catalog Number	Page Number	List Price	Mult Sym.	Ship Weight ⁽¹⁾	Type Code
EMM5700	183	763	K	36	
EMM5700-5	184	763	K	36	
EMM5750	183	835	K	39	
EMM5750-5	184	835	K	39	
EMVM08112C-PP	177	710	M	42	
EMVM08112D-PP	176	590	M	42	
EMVM08256C-PP	177	602	M	31	
EMVM08256D-PP	176	482	M	31	
EMVM08376C-PP	177	645	M	35	
EMVM08376D-PP	176	525	M	35	
EMVM08554C-PP	177	617	M	44	
EMVM08554D-PP	176	497	M	44	
EMVM08556C-PP	177	710	M	46	
EMVM08556D-PP	176	590	M	46	
EMVM08752C-PP	177	670	M	40	
EMVM08752D-PP	176	550	M	40	
EMVM08754C-PP	177	680	M	49	
EMVM08754D-PP	176	560	M	49	
EMVM09114C-PP	177	761	M1	73	
EMVM09114D-PP	176	640	M1	640	
EMVM09152C-PP	177	816	M1	68	
EMVM09152D-PP	176	695	M1	68	
EMVM09154C-PP	177	889	M1	75	
EMVM09154D-PP	176	768	M1	75	
EMVM09222C-PP	177	981	M1	77	
EMVM09222D-PP	177	861	M1	77	
EMVM09756C-PP	177	808	M1	75	
EMVM09756D-PP	176	688	M	42	
EMVM10032C-PP	177	1142	M1	110	
EMVM10032D-PP	177	1022	M1	110	
EMVM10034C-PP	177	1207	M1	108	
EMVM10034D-PP	177	1087	M1	108	
EMVM10036C-PP	177	1657	M1	181	
EMVM10036D-PP	177	1483	M1	181	
EMVM10116C-PP	177	944	M1	104	
EMVM10116D-PP	176	823	M1	104	
EMVM10224C-PP	177	1032	M1	108	
EMVM10224D-PP	177	911	M1	108	
EMVM10226C-PP	177	1355	M1	179	
EMVM10226D-PP	177	1182	M1	179	
EMVM11042C-PP	177	1396	M1	123	
EMVM11042D-PP	177	1222	M1	123	
EMVM11044C-PP	177	1443	M1	115	
EMVM11044D-PP	177	1270	M1	115	
EMVM11156C-PP	177	2367	M1	117	
EMVM11156D-PP	176	956	M1	117	
EMVM13046C-PP	177	1805	M1	181	
EMVM13046D-PP	177	1805	M1	181	
EMVM13552C-PP	177	1765	M1	170	
EMVM13552D-PP	177	1591	M1	170	
EMVM13554C-PP	177	1797	M1	179	
EMVM13554D-PP	177	1624	M1	179	
EMVM13556C-PP	177	2367	M1	174	
EMVM13556D-PP	177	2194	M1	174	

Catalog Number	Page Number	List Price	Mult Sym.	Ship Weight ⁽¹⁾	Type Code
EMVM13752C-PP	177	2106	M1	170	
EMVM13752D-PP	177	1933	M1	170	
EMVM13754C-PP	177	2221	M1	179	
EMVM13754D-PP	177	2048	M1	179	
EMVM5650C	183	742	K	28	
EMVM5650C-5	184	742	K	28	
EMVM5650D	183	742	K	29	
EMVM5650D-5	184	742	K	29	
EMVM5700C	183	801	K	36	
EMVM5700C-5	184	801	K	36	
EMVM5700D	183	801	K	37	
EMVM5700D-5	184	801	K	37	
EMVM5750C	183	877	K	45	
EMVM5750C-5	184	877	K	39	
EMVM5750D	183	877	K	37	
EMVM5750D-5	184	877	K	40	
ENC00NV	256	1932	E8	2	
ENC00NV-A2	208	1442	E8	1	
ENC00NV-B1	208	1442	E8	2	
ENC00NV-D1	208	1622	E8	4	
ENC00NV-D2	208	1622	E8	4	
ENC01BC-B1	208	1442	E8	3	
ENC01BC-D1	208	1622	E8	4	
ENC01BC-D2	208	1622	E8	4	
ENC01NV-A2	208	1442	E8	1	
ENC01NV-B2	208	1442	E8	2	
ENC01NV-D1	208	1622	E8	4	
ENC01NV-D2	208	1622	E8	4	
ENC02BC-A2	208	1442	E8	1	
ENC02BC-B2	208	1631	E8	2	
ENC02BC-D1	208	1622	E8	4	
ENC02BC-D2	208	1622	E8	4	
ENCP3580T-4	32	959	SD	55	52M
ENCP3581T-4	32	1004	SD	56	524M
ENCP83580T-4	39	994	SD	56	52M
ENCP83581T-4	39	1087	SD	60	524M
ERHM3162TA	123	1138	L1	60	354M
ERM3158TA	123	797	L1	48	353M
EWDM23933T	59	4997	WD	226	3942M
EWDM23934T	59	5823	WD	255	3952M
EWDM3546T	59	927	WD	39	3524M
EWDM3554T	59	1019	WD	49	3533M
EWDM3558T	59	1196	WD	46	3528M
EWDM3611T	59	1493	WD	73	3631M
EWDM3615T	59	1699	WD	90	3642M
EWDM3710T	59	2127	WD	129	3736M
EWDM3714T	59	2317	WD	165	3752M
EX1	340	69	QDB01	10	
EX1-1/16	340	69	QDB01	10	
EX1-1/2	341	69	QDB01	10	
EX1-1/4	340	69	QDB01	10	
EX1-1/8	340	69	QDB01	10	
EX1-11/16	341	69	QDB01	10	
EX1-13/16	341	69	QDB01	9	

⁽¹⁾ Shipping weight is approximate.

Motor
Accessories

PT Components

Grinders

Baldor
Mod Express

ABB
Mod Express

ABB ATEX
Mod Express

Product
Index

Motor
Accessories

PT
Components

Grinders

Baldor
Mod Express

ABB
Mod Express

ABB ATEX
Mod Express

Product
Index

Catalog Number	Page Number	List Price	Mult Sym.	Ship Weight ⁽¹⁾	Type Code
EX1-15/16	341	69	QDB01	9	
EX1-3/16	340	69	QDB01	10	
EX1-3/4	341	69	QDB01	9	
EX1-3/8	341	69	QDB01	10	
EX1-5/16	341	69	QDB01	10	
EX1-5/8	341	69	QDB01	10	
EX1-7/16	341	69	QDB01	10	
EX1-7/8	341	69	QDB01	9	
EX1-9/16	341	69	QDB01	10	
EX15/16	340	69	QDB01	11	
EX2	341	69	QDB01	9	
EX2-1/16	341	69	QDB01	9	
EX2-1/2	341	69	QDB01	8	
EX2-1/4	341	69	QDB01	8	
EX2-1/4KW5/8	341	69	QDB01	8	
EX2-1/8	341	69	QDB01	9	
EX2-11/16	341	69	QDB01	7	
EX2-13/16	341	69	QDB01	7	
EX2-15/16	341	69	QDB01	7	
EX2-3/16	341	69	QDB01	9	
EX2-3/4	341	69	QDB01	7	
EX2-3/8	341	69	QDB01	8	
EX2-5/16	341	69	QDB01	8	
EX2-5/8	341	69	QDB01	8	
EX2-7/16	341	69	QDB01	8	
EX2-7/8	341	69	QDB01	7	
EX2-9/16	341	69	QDB01	8	
EX3	341	69	QDB01	7	
EX3-1/16	341	69	QDB01	7	
EX3-1/2	341	69	QDB01	5	
EX3-1/4	341	69	QDB01	6	
EX3-1/8	341	69	QDB01	6	
EX3-3/16	341	69	QDB01	6	
EX3-3/8	341	69	QDB01	5	
EX3-5/16	341	69	QDB01	6	
EX3-7/16	341	69	QDB01	5	
EX35MM	343	69	QDB02	10	
EX38MM	343	69	QDB02	10	
EX40MM	343	69	QDB02	10	
EX42MM	343	69	QDB02	10	
EX45MM	343	69	QDB02	9	
EX48MM	343	69	QDB02	9	
EX50MM		69	QDB02	9	
EX55MM	343	69	QDB02	9	
EX55MM	343	69	QDB02	9	
EX60MM	343	69	QDB02	8	
EX65MM	343	69	QDB02	8	
EX7/8	340	69	QDB01	11	
EX70MM	343	69	QDB02	7	
EX75MM	343	69	QDB02	6	
EX80MM	343	69	QDB02	6	
EX85MM	343	69	QDB02	6	
FBRK115230	149	131	A8	1	
FBRK230460	149	144	A8	1	

Catalog Number	Page Number	List Price	Mult Sym.	Ship Weight ⁽¹⁾	Type Code
FCAN-01	231, 236	325	ES	1	
FCD34	333	94	A8	1	
FCD35	333	132	A8	1	
FCD36	333	115	A8	2	
FCD37	333	139	A8	3	
FCD39	333	186	A8	3	
FCD40	333	199	A8	3	
FCD42	333	213	A8	5	
FDEM2333T	125	2346	L1	270	944M
FDEM2334T	125	2836	L1	300	952M
FDEM3558	125	753	K	45	3528M
FDEM3558T	125	776	L1	45	3528M
FDEM3611T	125	860	L1	70	3631M
FDEM3615T	125	939	L1	93	3642M
FDEM3710T	125	1351	L1	127	3736M
FDEM3714T	125	1522	L1	165	3752M
FDEM4103T	125	3707	L1	380	146M
FDEM4104T	125	4388	L1	425	156M
FDEM4110T	125	5773	L1	567	1254M
FDEM4115T	125	6299	L1	610	1272M
FDEM4314T	125	9044	L1	910	1462M
FDEM4316T	125	10544	L1	977	1482M
FDEM4400T	125	13127	L1	1326	A464M
FDL3501M	126	431	K	23	3414L
FDL3504M	126	503	K	28	3421L
FDL3507M	126	591	K	37	3432LC
FDL3510M	126	669	K	41	3524L
FDL3510TM	126	669	L1	40	3524L
FDL3514M	126	753	K	49	3532LC
FDL3514TM	126	755	L1	51	3532LC
FDL3516TM	126	1065	K	51	3535LC
FDL3610M	126	1463	L1	90	364LC
FDL3610TM	126	1428	L1	90	364LC
FDL3611M	126	1233	L1	76	3634L
FDL3611TM	126	1201	L1	77	3634L
FDL3612TM	126	1499	L1	100	3646LC
FDL3619TM	126	1150	L1	82	3634LC
FDL3712TM	126	2144	L1	160	375LC
FDL3731M	126	1841	L1	126	373LC
FDL3732M	126	2120	L1	147	374LC
FDL3733TM	126	1951	L1	146	374LC
FDL3737TM	126	2282	L1	169	3752LC
FDNA-01	231, 236	260	ES	1	
FEA-01	268	465	ES	0	
FECA-01	231, 236	400	ES	2	
FEN-21	268	465	ES	0	
FENA-01	231, 236	400	ES	2	
FEPA-01	230, 236	120	ES	0	
FFC05	334	186	A8	6	
FFC06	334	199	A8	10	
FFC07WB	334	295	A8	19	
FFC09	334	221	A8	20	
FFC09WB	334	405	A8	28	
FFC18**	334	289	A8	90	

⁽¹⁾ Shipping weight is approximate.

Catalog Number	Page Number	List Price	Mult Sym.	Ship Weight ⁽¹⁾	Type Code
FFC19**	334	352	A8	120	
FL13HK	328	110	A8	2	
FL15HK	328	118	A8	6	
FL18HK	328	123	A8	3	
FL21HK	328	138	A8	3	
FL24HK	328	196	A8	4	
FL26HK	328	211	A8	6	
FL30HK	328	219	A8	6	
FL32HK	328	227	A8	12	
FL38HK	328	235	A8	12	
FLT3210-250	255	791	A8	2	
FLT4280	255	791	A8	9	
FLT6320-400	255	791	A8	14	
FLT8500	255	965	A8	9	
FM2513T-8	158	1602	L1	155	3748M
FM2515T-8	158	2062	L1	197	3762M
FM3112-8	158	389	K	25	342M
FM3311T-8	158	866	L1	96	3643M
FM3313T-8	158	1060	L1	129	3733M
FMBA-01 Kit	231, 236	142	ES	2	
FO NLWC-02	269	91	ES	0	
FO NLWC-03	269	117	ES	0	
FO NLWC-05	269	140	ES	0	
FO NLWC-07	269	163	ES	0	
FO NLWC-10	269	208	ES	0	
FO Twin Fiber Opt. CA 0,5 M	269	140	ES	0	
FO Twin Fiber Opt. CA 10 M	269	281	ES	0	
FO Twin Fiber Opt. CA 2,0 M	269	172	ES	0	
FO Twin Fiber Opt. CA 5,0 M	269	241	ES	0	
FPBA-01 Kit	231, 236	290	ES	0	
FRSA-00	231, 236	65	ES	0	
FVB3180	255	1491	A8	18	
FVB3210	255	1491	A8	25	
FVB3250	255	1491	A8	19	
FVB4280	255	1823	A8	44	
FVB6320	255	2123	A8	46	
FVB6400	255	2323	A8	59	
FVB8500	255	2750	A8	93	
FVB95010	255	4738	A8	171	
FX1	341	128	QDB01	18	
FX1-1/16	341	128	QDB01	18	
FX1-1/2	341	128	QDB01	17	
FX1-1/4	341	128	QDB01	17	
FX1-1/8	341	128	QDB01	18	
FX1-11/16	341	128	QDB01	17	
FX1-13/16	341	128	QDB01	16	
FX1-15/16	341	128	QDB01	16	
FX1-3/16	341	128	QDB01	18	
FX1-3/4	341	128	QDB01	16	
FX1-3/8	341	128	QDB01	17	
FX1-5/16	341	128	QDB01	17	
FX1-5/8	341	128	QDB01	17	
FX1-7/16	341	128	QDB01	17	
FX1-7/8	341	128	QDB01	16	

Catalog Number	Page Number	List Price	Mult Sym.	Ship Weight ⁽¹⁾	Type Code
FX1-9/16	341	128	QDB01	17	
FX100MM	343	128	QDB02	7	
FX2	341	128	QDB01	16	
FX2-1/16	341	128	QDB01	15	
FX2-1/2	341	128	QDB01	14	
FX2-1/4	341	128	QDB01	15	
FX2-1/4KW5/8	341	128	QDB01	15	
FX2-1/8	341	128	QDB01	15	
FX2-11/16	341	128	QDB01	13	
FX2-13/16	341	128	QDB01	13	
FX2-15/16	341	128	QDB01	12	
FX2-3/16	341	128	QDB01	15	
FX2-3/4	341	128	QDB01	13	
FX2-3/8	341	128	QDB01	15	
FX2-5/16	341	128	QDB01	15	
FX2-5/8	341	128	QDB01	14	
FX2-7/16	341	128	QDB01	14	
FX2-7/8	341	128	QDB01	12	
FX2-9/16	341	128	QDB01	14	
FX3	341	128	QDB01	11	
FX3-1/16	341	128	QDB01	12	
FX3-1/2	341	128	QDB01	10	
FX3-1/4	341	128	QDB01	11	
FX3-1/8	341	128	QDB01	11	
FX3-11/16	341	128	QDB01	9	
FX3-13/16	341	128	QDB01	9	
FX3-15/16	341	128	QDB01	8	
FX3-3/16	341	128	QDB01	11	
FX3-3/4	341	128	QDB01	9	
FX3-3/8	341	128	QDB01	11	
FX3-5/16	341	128	QDB01	11	
FX3-5/8	341	128	QDB01	9	
FX3-7/16	341	128	QDB01	10	
FX3-7/8	341	128	QDB01	8	
FX3-9/16	341	128	QDB01	10	
FX4	341	128	QDB01	7	
FX45MM	343	128	QDB02	16	
FX48MM	343	128	QDB02	16	
FX50MM	343	128	QDB02	16	
FX55MM	343	128	QDB02	15	
FX60MM	343	128	QDB02	15	
FX65MM	343	128	QDB02	14	
FX70MM	343	128	QDB02	13	
FX75MM	343	128	QDB02	12	
FX80MM	343	128	QDB02	11	
FX85MM	343	128	QDB02	10	
FX90MM	343	128	QDB02	9	
FX95MM	343	128	QDB02	8	
GA10	428	59	A8	1	
GA11	428	65	A8	2	
GA13	428	50	A8	2	
GA14	428	351	A8	64	
GA14R	427	351	A8	64	
GA16	428	465	A8	62	

⁽¹⁾ Shipping weight is approximate.

Motor
Accessories

PT Components

Grinders

Baldor
Mod Express

ABB
Mod Express

ABB ATEX
Mod Express

Product
Index

Motor
Accessories

PT
Components

Grinders

Baldor
Mod Express

ABB
Mod Express

ABB ATEX
Mod Express

Product
Index

Catalog Number	Page Number	List Price	Mult Sym.	Ship Weight ⁽¹⁾	Type Code
GA16E	428	303	A8	36	
GA16R	427	465	A8	62	
GA16RE	427	303	A8	36	
GA20	428	764	A8	121	
GA20E	428	351	A8	54	
GA20RE	427	351	A8	54	
GA24	428	51	A8	1	
GA25	428	51	A8	9	
GA3	428	79	A8	7	
GA4	428	81	A8	6	
GA7	425	97	A8	1	
GA8	425	161	A8	1	
GA9	428	196	A8	5	
GA9-1	428	108	A8	3	
GA9R	427	196	A8	5	
GA9S	428	218	A8	6	
GA9SR	427	218	A8	5	
GC24003	277	406	DS	7	2412C
GC24208	279	540	DS	10	2412C
GC24302	282	503	DS	10	2416C
GC24304	282	503	DS	10	2416C
GC24306	282	503	DS	10	2416C
GC24307	286	537	DS	11	2416C
GC24308	282, 286	537	DS	11	2416C
GC24309	286	537	DS	11	2416C
GC24310	282	503	DS	10	2416C
GC24311	286	537	DS	11	2416C
GC24312	280, 282	690	DS	12	2416C
GC24314	280	690	DS	14	2424C
GC24316	290	540	DS	13	2424C
GC24318	290	540	DS	13	2424C
GC24320	290	540	DS	13	2424C
GC24322	290	540	DS	13	2424C
GC25004	286	635	DS	16	252C
GC25005	292	643	DS	16	2524S
GC25006	286	635	DS	16	252C
GC25007	286	635	DS	16	252C
GC25008	286	635	DS	16	252C
GC25009	286	635	DS	17	2524S
GC25010	292	643	DS	16	2524S
GC25011	286	635	DS	15	2524S
GC25012	286	635	DS	15	2524S
GC25014	286	635	DS	15	2524S
GC25020	292	643	DS	16	2524S
GC25060	284	881	DS	20	252C
GC25080	284	881	DS	15	252C
GC25120	284	881	DS	20	252C
GC25190	284	881	DS	21	252C
GC25280	284	881	DS	20	252C
GC256015	292	643	DS	16	
GC3320	286	701	DS	15	2524C
GC3321	286	701	DS	15	2524C
GC3322	286	701	DS	15	2524C
GC3324	286	701	DS	15	2524C

Catalog Number	Page Number	List Price	Mult Sym.	Ship Weight ⁽¹⁾	Type Code
GC3325	292	701	DS	26	3324S
GC3330	292	701	DS	26	3324S
GCF2X01AA	325	459	GB	17	
GCF2X02BB	325	553	GB	28	
GCF3X01AA	325	459	GB	17	
GCF3X02BB	325	553	GB	28	
GCF4X01AA	325	459	GB	17	
GCF4X02BB	325	553	GB	29	
GCF5X01AA	325	459	GB	19	
GCF5X02AB	325	553	GB	29	
GCF5X02BB	325	553	GB	28	
GCP24002	303	830	DS	15	2416C
GCP24004	303	830	DS	15	2416C
GCP24005	297	508	DS	10	2416C
GCP24007	297	508	DS	10	2416C
GCP24010	297	508	DS	10	2416C
GCP24013	297	508	DS	10	2416C
GCP24017	297	508	DS	10	2416C
GCP24020	303	896	DS	15	2424C
GCP24022	303	803	DS	15	2424C
GCP24026	297	542	DS	10	2416C
GCP24037	297	542	DS	10	2416C
GCP24050	297	542	DS	10	2416C
GCP24072	297	588	DS	10	2416C
GCP24100	297	588	DS	10	2416C
GCP24114	297	557	DS	10	2412C
GCP24122	297	561	DS	10	2416C
GCP24124	297	561	DS	10	2416C
GCP24134	297	540	DS	10	2424C
GCP24136	297	540	DS	10	2424C
GCP24138	297	540	DS	10	2424C
GCP24140	297	540	DS	10	2424C
GCP24142	297	540	DS	10	2424C
GCP24186	297	567	DS	10	2412C
GCP24232	300	647	DS	14	2424C
GCP24234	300	612	DS	14	2424C
GCP24362	297	595	DS	10	2412C
GCP24369	297	595	DS	10	248C
GCP24702	297	595	DS	10	248C
GCP25002	303	870	DS	18	2524S
GCP25004	303	870	DS	18	2524S
GCP25006	303	840	DS	18	2524S
GCP25008	303	840	DS	17	2524S
GCP25010	303	840	DS	18	2524S
GCP25052	300	617	DS	14	2524S
GCP25054	300	617	DS	14	2524S
GCP25056	300	587	DS	14	2524S
GCP25058	300	587	DS	14	2524S
GCP25060	300	587	DS	14	2524S
GCP25062	300	587	DS	14	2524S
GCP25082	303	848	DS	20	2524C
GCP25102	303	848	DS	20	2524C
GCP25216	303	848	DS	13	252C
GCP25658	303	796	DS	20	2524C

⁽¹⁾ Shipping weight is approximate.

Catalog Number	Page Number	List Price	Mult Sym.	Ship Weight ⁽¹⁾	Type Code
GCP3305	303	881	DS	24	3316C
GCP3310	303	849	DS	24	3316C
GCP3315	303	849	DS	24	3316C
GDL1605T	127	1623	L1	97	3646LC
GDL1607T	127	2135	L1	142	3744LC
GDL1610T	127	2470	L1	160	375LC
GDL1615T	127	3675	L1	271	3956LC
GDM2333T	127	2868	L1	231	748M
GDM2334T	127	3067	L1	245	76M
GDM2513T	127	1900	L1	156	3748M
GDM2515T	127	2502	L1	187	3766M
GDM2531T	127	3074	L1	245	3942M
GDM2535T	127	3575	L1	281	3952M
GDM3218T	127	898	L1	68	363M
GDM3311T	127	1274	L1	92	3644M
GDM3313T	127	1544	L1	116	3733M
GDM3611T	127	920	L1	60	3535M
GDM3615T	127	1082	L1	80	3634M
GDM3710T	127	1356	L1	117	3731M
GDM3714T	127	2164	L1	131	374M
GDM4103T	127	4358	L1	345	956M
GDM4104T	127	5137	L1	325	964M
GDM4110T	127	6855	L1	497	164M
GDM4115T	127	7096	L1	552	1246M
GF0513AG	310	504	GB	20	
GF0513AJ	310	504	GB	20	
GF0515AG	310	539	GB	25	
GF0515AH	310	571	GB	25	
GF0515BG	310	539	GB	25	
GF0518AG	310	552	GB	30	
GF0518BG	310	552	GB	30	
GF0521BG	310	691	GB	35	
GF0521BJ	310	691	GB	35	
GF0524CG	310	815	GB	49	
GF0526CG	310	945	GB	59	
GF0530CG	310	1285	GB	68	
GF0538DH	310	1798	GB	123	
GF1013AG	310	504	GB	20	
GF1013AJ	310	504	GB	20	
GF1015AH	310	571	GB	25	
GF1015BG	310	539	GB	20	
GF1018AG	310	552	GB	30	
GF1018AH	310	585	GB	29	
GF1018AJ	310	552	GB	30	
GF1018BG	310	552	GB	30	
GF1021AG	310	691	GB	35	
GF1021AH	311	728	GB	35	
GF1021BG	311	691	GB	35	
GF1024BG	311	815	GB	40	
GF1026BG	311	945	GB	52	
GF1026CG	311	945	GB	60	
GF1030CG	311	1285	GB	72	
GF1032CG	311	1393	GB	97	
GF1038DG	311	1701	GB	126	

Catalog Number	Page Number	List Price	Mult Sym.	Ship Weight ⁽¹⁾	Type Code
GF10G21AG	310	691	GB	30	
GF1513AG	311	504	GB	20	
GF1513AH	311	533	GB	20	
GF1513AJ	311	504	GB	20	
GF1515AG	311	539	GB	25	
GF1515AH	311	571	GB	25	
GF1518AG	311	552	GB	30	
GF1518AH	311	585	GB	30	
GF1518AJ	311	552	GB	30	
GF1521AG	311	691	GB	35	
GF1521AH	311	728	GB	35	
GF1521AJ	311	691	GB	35	
GF1521BG	311	691	GB	35	
GF1524AG	311	815	GB	40	
GF1524AJ	311	815	GB	40	
GF1524BG	311	815	GB	40	
GF1526BG	311	945	GB	55	
GF1530CG	311	1285	GB	68	
GF1532BG	311	1393	GB	87	
GF1532CG	311	1393	GB	97	
GF1538CG	311	1701	GB	119	
GF2013AG	311	504	GB	20	
GF2013AH	311	533	GB	20	
GF2015AG	311	539	GB	25	
GF2015AH	311	571	GB	25	
GF2018AG	311	552	GB	30	
GF2018AH	311	585	GB	30	
GF2018AJ	311	552	GB	30	
GF2021AG	311	691	GB	35	
GF2021AH	312	728	GB	35	
GF2021AJ	311	691	GB	35	
GF2021BG	312	691	GB	35	
GF2024AG	312	815	GB	40	
GF2024BG	312	815	GB	40	
GF2026AG	312	945	GB	55	
GF2026BG	312	945	GB	52	
GF2030BG	312	1285	GB	68	
GF2030CG	312	1285	GB	68	
GF2030CJ	312	1285	GB	72	
GF2032BG	312	1393	GB	87	
GF2032CG	312	1393	GB	97	
GF2038CG	312	1701	GB	120	
GF20G21AG	311	691	GB	35	
GF20G21BG	312	691	GB	30	
GF2513AG	312	504	GB	20	
GF2515AG	312	539	GB	25	
GF2518AG	312	552	GB	28	
GF2518AJ	312	552	GB	30	
GF2521AG	312	691	GB	35	
GF2521AJ	312	691	GB	35	
GF2524AG	312	815	GB	40	
GF2524BG	312	815	GB	40	
GF2526BG	312	945	GB	52	
GF2530AG	312	1285	GB	68	

⁽¹⁾ Shipping weight is approximate.

Motor Accessories
PT Components
Grinders
Baldor Mod Express
ABB Mod Express
ABB ATEX Mod Express

Product Index

Motor
Accessories

PT
Components

Grinders

Baldor
Mod Express

ABB
Mod Express

ABB ATEX
Mod Express

Product
Index

Catalog Number	Page Number	List Price	Mult Sym.	Ship Weight ⁽¹⁾	Type Code
GF2530BG	312	1285	GB	68	
GF2532BG	312	1393	GB	91	
GF2538CH	312	1798	GB	126	
GF25G21AG	312	691	GB	40	
GF3013AG	312	504	GB	20	
GF3013AH	312	533	GB	20	
GF3015AG	312	539	GB	25	
GF3015AH	312	571	GB	25	
GF3018AH	312	585	GB	30	
GF3018AJ	312	552	GB	30	
GF3021AG	312	691	GB	35	
GF3021AH	312	728	GB	35	
GF3021AJ	312	691	GB	35	
GF3024AG	312	815	GB	40	
GF3024AJ	312	815	GB	40	
GF3024BG	312	815	GB	40	
GF3026AG	312	945	GB	52	
GF3026BG	312	945	GB	55	
GF3030AG	312	1285	GB	68	
GF3030AJ	312	1285	GB	68	
GF3030BG	312	1285	GB	65	
GF3032BG	312	1393	GB	91	
GF3038CG	312	1701	GB	126	
GF30G21AG	312	691	GB	30	
GF4013AG	313	504	GB	20	
GF4013AH	313	533	GB	20	
GF4015AG	313	539	GB	25	
GF4015AJ	313	539	GB	25	
GF4018AG	313	552	GB	30	
GF4018AJ	313	552	GB	30	
GF4021AG	313	691	GB	35	
GF4021AJ	313	691	GB	35	
GF4024AG	313	815	GB	40	
GF4024AH	313	861	GB	40	
GF4024AJ	313	815	GB	40	
GF4026AG	313	945	GB	55	
GF4026AJ	313	945	GB	52	
GF4026BG	313	945	GB	55	
GF4030AG	313	1285	GB	68	
GF4030BG	313	1285	GB	68	
GF4032BG	313	1393	GB	88	
GF4038CG	313	1701	GB	126	
GF4038CH	313	1798	GB	126	
GF5013AG	313	504	GB	20	
GF5013AH	313	533	GB	20	
GF5015AG	313	539	GB	25	
GF5018AG	313	552	GB	30	
GF5018AJ	313	552	GB	30	
GF5021AG	313	691	GB	35	
GF5021AH	313	728	GB	35	
GF5021AJ	313	691	GB	35	
GF5024AG	313	815	GB	40	
GF5026AG	313	945	GB	55	
GF5026BG	313	945	GB	52	

Catalog Number	Page Number	List Price	Mult Sym.	Ship Weight ⁽¹⁾	Type Code
GF5030AG	313	1285	GB	65	
GF5030BG	313	1285	GB	68	
GF5032AG	313	1393	GB	87	
GF5032BG	313	1393	GB	87	
GF5038BG	313	1701	GB	117	
GF5038BH	313	1798	GB	126	
GF6015AG	313	539	GB	25	
GF6015AH	313	571	GB	25	
GF6018AG	313	552	GB	30	
GF6018AH	313	585	GB	30	
GF6018AJ	313	552	GB	30	
GF6021AG	314	691	GB	35	
GF6021AH	314	728	GB	35	
GF6021AJ	314	691	GB	35	
GF6024AG	314	815	GB	40	
GF6024AJ	314	815	GB	40	
GF6026AG	314	945	GB	55	
GF6026AH	314	996	GB	55	
GF6026AJ	314	945	GB	55	
GF6030AG	314	1285	GB	65	
GF6030BG	314	1285	GB	68	
GF6032AG	314	1393	GB	90	
GF6032BG	314	1393	GB	91	
GF6038BG	314	1701	GB	117	
GF6038BH	314	1798	GB	126	
GHF0513AH	315	664	GB	20	
GHF0518AH	315	710	GB	30	
GHF1018AH	315	710	GB	30	
GHF1021AH	315	842	GB	35	
GHF1030CH	315	1527	GB	75	
GHF1513AH	315	664	GB	20	
GHF1518AH	315	710	GB	30	
GHF1521AH	315	842	GB	35	
GHF1524AH	315	1013	GB	45	
GHF1530BH	315	1527	GB	75	
GHF2013AH	315	664	GB	20	
GHF2018AH	315	710	GB	30	
GHF2021AH	315	842	GB	35	
GHF2024AH	315	1013	GB	42	
GHF2026AH	315	1195	GB	56	
GHF2030BH	315	1527	GB	72	
GHF2518AH	315	710	GB	30	
GHF2521AH	315	842	GB	32	
GHF2526BH	315	1195	GB	56	
GHF2530BH	315	1527	GB	88	
GHF3013AH	315	664	GB	20	
GHF3018AH	315	710	GB	30	
GHF3021AH	315	842	GB	35	
GHF3024AH	315	1013	GB	45	
GHF3026AH	315	1195	GB	56	
GHF3030BH	315	1527	GB	75	
GHF3032BH	315	1655	GB	95	
GHF4018AH	315	710	GB	30	
GHF4021AH	315	842	GB	35	

⁽¹⁾ Shipping weight is approximate.

Catalog Number	Page Number	List Price	Mult Sym.	Ship Weight ⁽¹⁾	Type Code
GHF4024AH	315	1013	GB	42	
GHF4026AH	315	1195	GB	56	
GHF4026BH	315	1195	GB	56	
GHF4032BH	315	1655	GB	95	
GHF5013AH	315	664	GB	20	
GHF5018AH	315	710	GB	30	
GHF5021AH	315	842	GB	35	
GHF5024AH	315	1013	GB	45	
GHF5030AH	315	1527	GB	75	
GHF5032AH	315	1655	GB	95	
GHF6018AH	315	710	GB	30	
GHF6021AH	315	842	GB	35	
GHF6024AH	315	1013	GB	42	
GHF6026AH	315	1195	GB	56	
GHF6030AH	315	1527	GB	71	
GHF6032AH	315	1655	GB	95	
GHH0556	309	641	GB	11	
GHH1056	309	641	GB	11	
GHH1556	309	641	GB	11	
GHH2056	309	641	GB	11	
GHH2556	309	641	GB	36	
GHH3056	309	641	DS	36	
GHH4056	309	641	GB	36	
GHH5056	309	641	GB	36	
GHH6056	309	641	DS	36	
GHL31010	296	1379	DS	55	
GHL31020	296	1379	DS	55	
GHL31030	296	1379	DS	55	
GHL35010	296	1123	DS	45	
GHL35020	296	1123	DS	45	
GHL35030	296	1123	DS	45	
GHL35060	296	1123	DS	45	
GHL37510	296	1208	DS	50	
GHL37520	296	1208	DS	50	
GHL37530	296	1208	DS	50	
GHM31010	296	1144	DS	45	
GHM31020	296	1144	DS	48	
GHM31030	296	1144	DS	42	
GHM35010	296	1083	DS	40	
GHM35020	296	1083	DS	40	
GHM35030	296	1083	DS	40	
GHM35040	296	1083	DS	38	
GHM35050	296	1083	DS	40	
GHM35060	296	1083	DS	40	
GHM37510	296	1114	DS	42	
GHM37520	296	1114	DS	42	
GHM37530	296	1114	DS	42	
GHP13530	289	834	DS	12	
GHP13531	289	834	DS	15	
GHP13532	289	834	DS	15	
GHP13533	289	834	DS	15	
GHP13536	289	834	DS	15	
GIF0938A	324	998	GB	33	
GIF0938B	324	998	GB	37	

Catalog Number	Page Number	List Price	Mult Sym.	Ship Weight ⁽¹⁾	Type Code
GIF0938C	324	1093	GB	32	
GIF0948C	324	1578	GB	77	
GIF0968D	324	2472	GB	101	
GIF1438A	324	998	GB	29	
GIF1438B	324	998	GB	31	
GIF1448C	324	1578	GB	55	
GIF1468C	324	2472	GB	93	
GIF1468D	324	2472	GB	101	
GIF1488E	324	3810	GB	229	
GIF1838A	324	998	GB	29	
GIF1838B	324	998	GB	31	
GIF1848B	324	1384	GB	54	
GIF1848C	324	1578	GB	85	
GIF1868C	324	2472	GB	122	
GIF1868D	324	2472	GB	101	
GIF1888E	324	3810	GB	229	
GIF2538A	324	998	GB	33	
GIF2538B	324	998	GB	36	
GIF2548B	324	1384	GB	54	
GIF2548C	324	1578	GB	55	
GIF2568C	324	2472	GB	93	
GIF2588D	324	3589	GB	253	
GIF2588E	324	3810	GB	229	
GIF4038A	324	998	GB	33	
GIF4048A	324	1384	GB	52	
GIF4048B	324	1384	GB	54	
GIF4068C	324	2472	GB	93	
GIF4088D	324	3589	GB	178	
GIF5068B	324	2279	GB	103	
GIF5088C	324	3589	GB	178	
GIF5638A	324	1205	GB	29	
GIF5648A	324	1518	GB	52	
GL3326	286	730	DS	21	
GL3327	286	701	DS	21	
GL3328	286	701	DS	21	
GL3329	286	701	DS	21	
GLF0515AG	319	561	GB	30	
GLF0821AG	319	710	GB	38	
GLF0821AJ	319	710	GB	38	
GLF0821BG	319	710	GB	38	
GLF0826BG	319	974	GB	60	
GLF0826CG	319	974	GB	66	
GLF1018AG	319	575	GB	32	
GLF1021AG	319	710	GB	38	
GLF1021BG	319	710	GB	38	
GLF1021BJ	319	710	GB	38	
GLF1024BG	319	834	GB	45	
GLF1026BG	319	974	GB	60	
GLF1026CG	319	974	GB	60	
GLF1032CG	319	1419	GB	104	
GLF1513AG	319	516	GB	20	
GLF1521AG	319	710	GB	38	
GLF1521AJ	319	710	GB	38	
GLF1526BG	319	974	GB	60	

⁽¹⁾ Shipping weight is approximate.

Motor
Accessories

PT Components

Grinders

Baldor
Mod Express

ABB
Mod Express

ABB ATEX
Mod Express

Product
Index

Motor
Accessories
PT Components
Grinders
Baldor
Mod Express
ABB
Mod Express
ABB ATEX
Mod Express
Product
Index

Catalog Number	Page Number	List Price	Mult Sym.	Ship Weight ⁽¹⁾	Type Code
GLF1526BJ	319	974	GB	60	
GLF1532CG	319	1419	GB	100	
GLF1532CJ	319	1419	GB	105	
GLF1538CG	319	1733	GB	130	
GLF2013AG	319	516	GB	20	
GLF2018AG	319	575	GB	32	
GLF2021AG	319	710	GB	38	
GLF2021AJ	320	710	GB	38	
GLF2026BG	320	974	GB	60	
GLF2026BJ	320	974	GB	60	
GLF2032CG	320	1419	GB	100	
GLF2515AG	320	561	GB	30	
GLF2518AG	320	575	GB	32	
GLF2521AG	320	710	GB	38	
GLF2521AJ	320	710	GB	38	
GLF2526AG	320	974	GB	60	
GLF2526BG	320	974	GB	60	
GLF2526BJ	320	974	GB	60	
GLF2532BG	320	1419	GB	100	
GLF2532CG	320	1419	GB	100	
GLF2532CJ	320	1419	GB	100	
GLF3013AG	320	516	GB	20	
GLF3015AG	320	561	GB	30	
GLF3018AG	320	575	GB	32	
GLF3018AJ	320	575	GB	32	
GLF3021AG	320	710	GB	38	
GLF3024AG	320	834	GB	45	
GLF3026BG	320	974	GB	60	
GLF3026BJ	320	974	GB	60	
GLF3032CG	320	1419	GB	100	
GLF3038CG	320	1733	GB	130	
GLF4018AG	320	575	GB	32	
GLF4024AG	320	834	GB	45	
GLF4026AG	320	974	GB	60	
GLF4032BG	320	1419	GB	100	
GLF4038CG	320	1733	GB	130	
GLF5021AG	320	710	GB	38	
GLF5026AG	320	974	GB	60	
GLF6015AG	320	561	GB	30	
GLF6018AG	320	575	GB	32	
GLF6021AG	320	710	GB	38	
GLF6026AG	320	974	GB	60	
GLF6032AG	320	1419	GB	100	
GLF6032BG	320	1419	GB	100	
GLP25005	303	819	DS	24	
GLP25011	303	819	DS	21	2528LC
GLP25015	303	819	DS	21	2528LC
GLP25019	303	819	DS	24	
GLP25029	303	870	DS	24	
GLP25036	303	870	DS	21	2528LC
GLP3310	303	952	DS	25	332L
GLP3328	303	990	DS	28	3324L
GLP3330	303	990	DS	25	3324L
GLP3332	303	931	DS	25	3324L

Catalog Number	Page Number	List Price	Mult Sym.	Ship Weight ⁽¹⁾	Type Code
GLP3336	303	931	DS	27	3324L
GLP3338	303	931	DS	25	3324L
GLP3342	303	1044	DS	32	3328LC
GLP3344	303	985	DS	31	3328LC
GLP3346	303	985	DS	31	3328LC
GLP3348	303	985	DS	31	3328LC
GM2501	292	867	DS	18	2524M
GM25016	280	730	DS	15	2516M
GM25021	280	730	DS	15	2516M
GM25022	282	558	DS	13	2516M
GM25024	282	558	DS	13	2516M
GM25026	282	542	DS	12	2516M
GM2503	292	867	DS	18	2524M
GM2506	292	867	DS	18	2524M
GM25060	284	959	DS	20	2516M
GM2507	292	867	DS	18	2524M
GM25080	284	959	DS	20	2516M
GM25120	284	959	DS	17	2516M
GM25190	284	959	DS	20	2516M
GM25280	284	959	DS	20	2516M
GM3301	292	873	DS	26	332M
GM3303	292	873	DS	27	332M
GM3306	292	873	DS	26	332M
GM3307	292	873	DS	26	332M
GM3329	282	703	DS	11	2512M
GM3331	290	738	DS	13	2512M
GM3334	292	852	DS	15	252M
GM3337	292	852	DS	16	252M
GM3338	292	852	DS	16	252M
GM3340	286	848	DS	16	2524M
GM3345	286	848	DS	16	2524M
GM3347	286	848	DS	16	2524M
GM3349	286	848	DS	16	2524M
GMP3330	303	980	DS	27	332M
GMP3332	303	921	DS	27	332M
GMP3336	303	921	DS	25	332M
GMP3338	303	921	DS	24	332M
GMP3340	303	1035	DS	27	332M
GMP3342	303	1035	DS	27	332M
GMP3344	303	977	DS	25	332M
GMP3348	303	977	DS	25	332M
GP231001	277	439	DS	5	2314P
GP231002	277	439	DS	5	2314P
GP231003	277	407	DS	5	238P
GP231004	290	542	DS	8	2314P
GP231005	278	427	DS	5	238P
GP231006	278	427	DS	8	2314P
GP231007	278	684	DS	5	238D
GP232001	277	439	DS	5	2314P
GP232002	282	542	DS	7	2314P
GP232003	290	542	DS	8	2314P
GP232004	279	606	DS	7	238P
GP232005	279	606	DS	7	238P
GP232006	279	606	DS	7	2314P

⁽¹⁾ Shipping weight is approximate.

Catalog Number	Page Number	List Price	Mult Sym.	Ship Weight ⁽¹⁾	Type Code
GP232007	279	632	DS	7	2314P
GP233001	282	561	DS	7	2318P
GP233002	282	561	DS	7	2318P
GP233003	282	561	DS	8	2318P
GP233004	290	561	DS	8	2318P
GP233005	290	561	DS	8	2318P
GP233006	290	561	DS	8	2318P
GP233007	282	561	DS	7	2318P
GP233020	279	632	DS	7	2314P
GP233021	282	561	DS	7	2318P
GP233022	282	561	DS	7	2318P
GP233023	282	561	DS	7	2318P
GP233024	290	561	DS	8	2318P
GP233025	290	561	DS	8	2318P
GP233026	290	561	DS	8	2318P
GP233027	279	660	DS	7	2314P
GP233028	279	632	DS	7	2314P
GP233029	279	632	DS	7	2314P
GP24060	284	965	DS	16	2424P
GP24120	284	965	DS	16	2424P
GP24190	284	965	DS	15	2424P
GP24280	284	965	DS	16	2424P
GP2501	293	944	DS	21	2532P
GP2503	293	944	DS	21	2532P
GP2506	293	944	DS	21	2532P
GP2507	293	944	DS	21	2532P
GP3301	293	1096	DS	30	
GP3303	293	1096	DS	30	
GP3306	293	1096	DS	30	
GP3307	293	1096	DS	30	
GP7304	280	889	DS	13	2412P
GP7400	293	770	DS	14	2424P
GP7401	293	770	DS	14	2424P
GP7402	293	770	DS	14	2424P
GP7403	293	770	DS	14	2424P
GP7404	293	770	DS	13	2424P
GP7405	293	770	DS	14	2428P
GP7406	293	770	DS	14	2428P
GP7407	293	770	DS	14	2428P
GP7408	293	770	DS	14	2428P
GP7409	280	848	DS	15	2424P
GP7413	293	770	DS	14	2428P
GP7420	293	770	DS	14	2424P
GP7421	293	770	DS	14	242P
GP7422	293	770	DS	14	242P
GP7423	293	770	DS	14	242P
GP7424	293	770	DS	14	242P
GP7425	293	770	DS	14	2428P
GP7426	293	770	DS	14	2428P
GP7427	293	770	DS	14	2428P
GP7428	293	770	DS	14	2428P
GP7429	280	875	DS	15	2424P
GP7433	293	770	DS	14	2428P
GPB231008	278	722	DS	10	2314P

Catalog Number	Page Number	List Price	Mult Sym.	Ship Weight ⁽¹⁾	Type Code
GPF13514	295	799	DS	15	2428P
GPF13515	295	799	DS	15	2428P
GPF13516	295	799	DS	15	2428P
GPF13517	295	799	DS	15	2428P
GPF13530	295	799	DS	15	
GPF13532	295	799	DS	15	
GPP12501	299	593	DS	8	2412P
GPP12502	299	593	DS	8	2412P
GPP12503	299	593	DS	8	2412P
GPP12504	299	623	DS	8	2412P
GPP12505	299	623	DS	8	2412P
GPP12521	299	600	DS	9	2416P
GPP12525	299	600	DS	11	242P
GPP12540	302	663	DS	10	2416P
GPP12541	302	663	DS	10	2416P
GPP12542	302	663	DS	10	2416P
GPP12543	302	663	DS	12	2416P
GPP12544	302	694	DS	12	2416P
GPP12545	302	694	DS	12	2416P
GPP12547	302	694	DS	12	2416P
GPP12555	302	714	DS	12	2416P
GPP12556	302	698	DS	12	2416P
GPP12559	302	714	DS	12	2416P
GPP12560	302	663	DS	11	2416P
GPP12561	302	663	DS	11	2416P
GPP12564	302	670	DS	11	2416P
GPP12567	302	670	DS	11	2416P
GPP230005	299	537	DS	7	2318P
GPP230007	299	537	DS	7	2318P
GPP230010	299	537	DS	7	2318P
GPP230013	299	537	DS	7	2318P
GPP230019	299	537	DS	7	2318P
GPP230025	299	572	DS	7	2318P
GPP230037	299	572	DS	7	2318P
GPP230053	302	637	DS	7	2318P
GPP230072	299	608	DS	7	2318P
GPP230139	299	552	DS	7	2314P
GPP230186	299	552	DS	12	2314P
GPP231108	299	542	DS	6	238P
GPP231109	299	514	DS	6	238P
GPP231110	299	514	DS	6	238P
GPP231329	302	675	DS	7	2318P
GPP232110	299	542	DS	7	2314P
GPP233111	299	561	DS	8	2318P
GPP233112	299	561	DS	8	2318P
GPP233120	299	561	DS	8	2314P
GPP233121	299	561	DS	8	2318P
GPP233140	302	693	DS	10	2318P
GPP233141	302	693	DS	8	2318P
GPP24005	302	726	DS	12	2428P
GPP24011	302	726	DS	12	2428P
GPP24019	302	726	DS	12	2428P
GPP2530	307	1146	DS	24	2532P
GPP2534	307	1091	DS	24	2532P

Motor
Accessories

PT Components

Grinders

Baldor
Mod Express

ABB
Mod Express

ABB ATEX
Mod Express

Product
Index

⁽¹⁾ Shipping weight is approximate.

Motor
Accessories

PT
Components

Grinders

Baldor
Mod Express

ABB
Mod Express

ABB ATEX
Mod Express

Product
Index

Catalog Number	Page Number	List Price	Mult Sym.	Ship Weight ⁽¹⁾	Type Code
GPP2538	307	1091	DS	24	2532P
GPP3340	307	1288	DS	31	
GPP3344	307	1288	DS	31	
GPP3348	307	1232	DS	31	
GPP3370	307	1288	DS	31	
GPP3374	307	1232	DS	31	
GPP3378	307	1232	DS	31	
GPP3380	307	1288	DS	31	
GPP3384	307	1232	DS	31	
GPP3388	307	1232	DS	31	
GPP7450	307	772	DS	13	2424P
GPP7451	307	772	DS	13	2424P
GPP7452	307	772	DS	13	2424P
GPP7453	307	840	DS	13	2424P
GPP7454	307	840	DS	14	2424P
GPP7455	307	840	DS	14	2424P
GPP7456	307	840	DS	14	2424P
GPP7457	307	875	DS	15	2424P
GPP7458	307	875	DS	15	2424P
GPP7459	307	875	DS	13	2416P
GPP7460	307	840	DS	14	2424P
GPP7461	307	875	DS	15	2424P
GPP7462	307	875	DS	13	2416P
GPP7470	307	772	DS	13	2424P
GPP7471	307	772	DS	13	2424P
GPP7472	307	772	DS	13	2424P
GPP7473	307	840	DS	13	2424P
GPP7474	307	840	DS	14	2424P
GPP7475	307	840	DS	14	2424P
GPP7476	307	840	DS	14	2424P
GPP7477	307	875	DS	15	2424P
GPP7478	307	875	DS	17	2424P
GPP7479	307	875	DS	14	2416P
GS1018G	321	482	GB	25	
GS1021G	321	568	GB	28	
GS1026G	321	798	GB	50	
GS1515G	321	476	GB	21	
GS1518G	321	482	GB	25	
GS1521G	321	568	GB	28	
GS2018G	321	482	GB	25	
GS2021G	321	568	GB	28	
GS2024G	321	708	GB	38	
GS2026G	321	798	GB	50	
GS2515G	321	476	GB	21	
GS3013G	321	461	GB	18	
GS3018G	321	482	GB	25	
GS3021G	321	568	GB	28	
GS3026G	321	798	GB	50	
GS4015G	321	476	GB	21	
GS4018G	321	482	GB	25	
GS4021G	321	568	GB	28	
GS4026G	321	798	GB	50	
GS5018G	321	482	GB	25	
GS5021G	321	568	GB	28	

Catalog Number	Page Number	List Price	Mult Sym.	Ship Weight ⁽¹⁾	Type Code
GS5026G	321	798	GB	50	
GS6013G	321	461	GB	15	
GS6015G	321	476	GB	21	
GS6018G	321	482	GB	25	
GS6021G	321	568	GB	31	
GS6024G	321	708	GB	38	
GS6026G	321	798	GB	50	
GSF1013AA	322	629	GB	21	
GSF1018AA	322	689	GB	22	
GSF1018BA	322	689	GB	23	
GSF1020AA	322	821	GB	30	
GSF1020BA	322	821	GB	29	
GSF1023BA	322	932	GB	32	
GSF1026BA	322	1188	GB	49	
GSF1026CA	322	1188	GB	55	
GSF1030CA	322	1357	GB	61	
GSF1513AA	322	629	GB	21	
GSF1518AA	322	689	GB	23	
GSF1520AA	322	821	GB	31	
GSF1523AA	322	932	GB	34	
GSF1523BA	322	932	GB	33	
GSF1526BA	322	1188	GB	51	
GSF1530BA	322	1357	GB	57	
GSF1530CA	322	1357	GB	61	
GSF1535CA	322	1862	GB	89	
GSF2013AA	322	629	GB	20	
GSF2018AA	322	689	GB	23	
GSF2020AA	322	821	GB	30	
GSF2020BA	322	821	GB	28	
GSF2023AA	322	932	GB	34	
GSF2023BA	322	932	GB	33	
GSF2026AA	322	1188	GB	51	
GSF2026BA	322	1188	GB	51	
GSF2030BA	322	1357	GB	57	
GSF2030CA	322	1357	GB	62	
GSF2035CA	322	1862	GB	93	
GSF2513AA	323	629	GB	21	
GSF2518AA	323	689	GB	23	
GSF2520AA	323	821	GB	29	
GSF2523AA	323	932	GB	33	
GSF2530BA	323	1357	GB	56	
GSF3013AA	323	629	GB	21	
GSF3018AA	323	689	GB	22	
GSF3020AA	323	821	GB	30	
GSF3023AA	323	932	GB	33	
GSF3026AA	323	1188	GB	50	
GSF3030BA	323	1357	GB	57	
GSF3035BA	323	1862	GB	90	
GSF4013AA	323	629	GB	21	
GSF4018AA	323	1516	GB	11	
GSF4020AA	323	821	GB	30	
GSF4023AA	323	932	GB	33	
GSF4026AA	323	1188	GB	51	
GSF4030AA	323	1357	GB	57	

⁽¹⁾ Shipping weight is approximate.

Catalog Number	Page Number	List Price	Mult Sym.	Ship Weight ⁽¹⁾	Type Code
GSF4030BA	323	1357	GB	54	
GSF4035BA	323	1862	GB	87	
GSF5013AA	323	629	GB	21	
GSF5018AA	323	689	GB	23	
GSF5020AA	323	821	GB	30	
GSF5023AA	323	932	GB	33	
GSF5026AA	323	1188	GB	51	
GSF5030BA	323	1357	GB	57	
GSF5035BA	323	1862	GB	89	
GSF6018AA	323	689	GB	23	
GSF6020AA	323	821	GB	31	
GSF6023AA	323	932	GB	33	
GSF6026AA	323	1188	GB	51	
GSF6030AA	323	1357	GB	56	
GSF6035BA	323	1862	GB	89	
GSL3509M	130	776	K	41	3523LC
GX1	345	10	STB29	1	
GX1/2	345	10	STB29	0	
GX11/16	345	10	STB29	0	
GX13/16	345	10	STB29	0	
GX15/16	345	10	STB29	0	
GX3/4	345	10	STB29	0	
GX3/8	345	10	STB29	0	
GX5/8	345	10	STB29	0	
GX7/16	345	10	STB29	0	
GX7/8	345	10	STB29	0	
HA5027A03	333	7	A8	1	
HIC264A	133	360	K	20	3414C
HIC274A	133	360	K	20	3414C
HPM3615T	106	842	L1	82	3634M
HPM3710T	106	1082	L1	127	3731M
HPM3714T	106	1277	L1	136	374M
ID5202-C0	239	753	E9	5	
ID5203-B0	239	1159	E9	6	
ID5203-C0	239	793	E9	5	
ID5203-W0	239	1219	E9	6	
ID5401-C0	239	820	E9	5	
ID5402-C0	239	842	E9	5	
ID5403-B0	239	1230	E9	6	
ID5403-C0	239	866	E9	5	
ID5403-W0	239	1291	E9	6	
ID5405-B0	239	1315	E9	6	
ID5405-C0	239	1104	E9	5	
ID5405-W0	239	1373	E9	6	
ID5601-B0	239	715	E9	6	
ID5601-C0	239	478	E9	5	
ID5601-E0	239	576	E9	6	
ID5601-W0	239	763	E9	6	
ID5602-B0	239	1015	E9	8	
ID5602-C0	239	621	E9	6	
ID5602-W0	239	1076	E9	6	
ID56F50-C0	239	395	E9	4	
ID5AMS-1	239	59	E9	0	
ID5FRS-1	239	33	E9	0	

Catalog Number	Page Number	List Price	Mult Sym.	Ship Weight ⁽¹⁾	Type Code
ID5FRS-2	239	33	E9	0	
ID5RGA-1	239	214	E9	3	
ID5SI-1	239	213	E9	4	
ID5SI-2	239	240	E9	1	
IDBRPM18154C	195	4522	E2	190	
IDBRPM18204C	195	4983	E2	286	
IDBRPM21254C	195	5800	E2	215	
IDBRPM21304C	195	5800	E2	215	
IDBRPM21404	195	6409	E2	215	
IDBRPM25504	195	7147	E2	215	
IDBRPM25604	195	10549	E2	215	
IDBRPM25754	195	12599	E2	215	
IDBRPM281004R1	195	14259	E2	860	
IDBRPM281254	195	15089	E2	940	
IDBRPM321254	195	21135	E2	1170	
IDBRPM321504	195	28276	E2	1340	
IDBRPM362004	195	31281	E2	1746	
IDBRPM362004R1	195	29277	E2	1950	
IDBRPM362504R1	196	31279	E2	2000	
IDBRPM402004	195	33751	E2	1996	
IDBRPM402504	196	39164	E2	2244	
IDBRPM403004	196	48044	E2	2540	
IDBRPM403004R1	196	39163	E2	2620	
IDBRPM444004	196	64562	E2	3300	
IDBRPM445004	196	67899	E2	3620	
IDBRPM446004	196	75188	E2	4610	
IDCSWDM3538	73	1551	E2	31	3515M
IDCSWDM3542	73	1756	E2	32	3519M
IDCSWDM3546	73	1823	E2	40	3524M
IDCSWDM3546T	73	1823	E2	42	3524M
IDCSWDM3554	73	1950	E2	51	3533M
IDCSWDM3554T	73	1950	E2	49	3533M
IDCSWDM3558	73	2083	E2	44	3528M
IDCSWDM3558T	73	2083	E2	48	3528M
IDCSWDM3611T	73	2284	E2	85	3635M
IDCSWDM3615T	73	2658	E2	99	3646M
IDCSWDM3710T	73	4024	E2	136	3739M
IDCSWDM3714T	73	4601	E2	187	3756M
IDDRPM18254C	195	5244	E2	215	
IDDRPM18304C	195	5456	E2	215	
IDDRPM21404	195	6356	E2	370	
IDDRPM21504	195	8556	E2	376	
IDDRPM21604	195	8556	E2	320	
IDDRPM251004	195	12458	E2	633	
IDDRPM251254	195	16509	E2	714	
IDDRPM25506	195	10275	E2	570	
IDDRPM25606	195	12458	E2	624	
IDDRPM25754	195	10275	E2	624	
IDDRPM25756	195	16509	E2	608	
IDDRPM281006	195	18432	E2	785	
IDDRPM281256	195	24030	E2	810	
IDDRPM281504	195	18432	E2	892	
IDDRPM282004	195	24030	E2	995	
IDDRPM321506	195	28276	E2	1145	

Motor
Accessories

PT Components

Grinders

Baldor
Mod Express

ABB
Mod Express

ABB ATEX
Mod Express

Product
Index

⁽¹⁾ Shipping weight is approximate.

Motor
Accessories

PT
Components

Grinders

Baldor
Mod Express

ABB
Mod Express

ABB
ATEX
Mod Express

Product
Index

Catalog Number	Page Number	List Price	Mult Sym.	Ship Weight ⁽¹⁾	Type Code
IDDRPM322006	195	32927	E2	1325	
IDDRPM322504	196	28276	E2	1186	
IDDRPM323004	196	32927	E2	1360	
IDDRPM362504	196	41696	E2	1750	
IDDRPM362504R1	196	31279	E2	2000	
IDDRPM363006R1	196	41695	E2	2000	
IDDRPM363504	196	41696	E2	1812	
IDDRPM363504R1	196	35848	E2	1680	
IDDRPM364004	196	41696	E2	1742	
IDDRPM364004R1	196	41696	E2	2000	
IDDRPM403006	196	55045	E2	2289	
IDDRPM404006	196	67104	E2	2485	
IDDRPM404006R1	196	55042	E2	2530	
IDDRPM405004	196	55045	E2	2000	
IDDRPM405004R1	196	48367	E2	2260	
IDDRPM406004	196	67104	E2	2100	
IDDRPM406004R1	196	55042	E2	2530	
IDDRPM407004R1	196	70456	E2	3080	
IDDRPM4410004	196	104952	E2	3890	
IDDRPM4410004R1	196	104952	E2	3505	
IDDRPM445006	196	104952	E2	3890	
IDDRPM445006R1	196	104952	E2	3505	
IDDRPM447004	196	83747	E2	3000	
IDFRPM18104C	195	4376	E2	195	
IDFRPM21154C	195	5450	E2	215	
IDFRPM21204C	195	5450	E2	215	
IDFRPM21254C	195	5886	E2	215	
IDFRPM25304C	195	6195	E2	215	
IDFRPM25404	195	6739	E2	660	
IDFRPM28504	195	11510	E2	776	
IDFRPM28604	195	11510	E2	865	
IDFRPM28754	195	13751	E2	940	
IDGHM2500	289	998	E2	19	
IDGHM2501	289	998	E2	19	
IDGHM2503	289	998	E2	19	
IDGHM2504	289	998	E2	19	
IDGHM2506	289	998	E2	19	
IDGHM2508	289	998	E2	19	
IDGHM2509	289	998	E2	19	
IDGM2301	206, 279	660	E2	10	
IDGM2302	206, 279	660	E2	10	
IDGM2401	206, 277	505	E2	7	
IDGM2402	206, 277	505	E2	7	
IDGM2403	206, 277	505	E2	7	
IDGM2404	206, 282	612	E2	13	
IDGM2405	206, 282	612	E2	13	
IDGM2406	206, 282	612	E2	13	
IDGM2500	206, 287	766	E2	17	2528M
IDGM2501	206, 287	766	E2	17	2528M
IDGM2503	206, 287	766	E2	17	2528M
IDGM2506	206, 287	766	E2	18	2528M
IDGM2508	206, 287	766	E2	17	2528M
IDGM2509	206, 287	766	E2	17	2528M
IDGM2511	206, 280	840	E2	15	

Catalog Number	Page Number	List Price	Mult Sym.	Ship Weight ⁽¹⁾	Type Code
IDGM2512	206, 280	840	E2	15	
IDGM2513	206, 284	1036	E2	20	
IDGM2514	206, 284	1036	E2	20	
IDGM2515	206, 284	1036	E2	20	
IDGM3300	206, 292	961	E2	30	
IDGM3301	206, 292	961	E2	30	
IDGM3302	206, 292	942	E2	28	
IDGM3303	206, 292	942	E2	28	
IDGMP24005	207, 297	561	E2	10	
IDGMP24010	207, 297	561	E2	10	
IDGMP24020	207, 297	561	E2	10	
IDGMP24030	207, 297	595	E2	10	
IDGMP24060	207, 297	595	E2	11	
IDGMP24090	207, 297	613	E2	11	
IDGMP24180	207, 297	613	E2	11	
IDGMP2500	207, 304	699	E2	18	2528M
IDGMP25006	207, 300	667	E2	14	
IDGMP25008	207, 304	1025	E2	14	
IDGMP2501	207, 304	699	E2	18	2528M
IDGMP25011	207, 300	667	E2	14	
IDGMP25013	207, 304	1025	E2	17	
IDGMP25021	207, 300	698	E2	14	
IDGMP25023	207, 304	1025	E2	17	
IDGMP2503	207, 304	699	E2	20	2528M
IDGMP25031	207, 300	698	E2	14	
IDGMP25033	207, 304	1044	E2	18	
IDGMP2505	207, 304	742	E2	20	2528M
IDGMP25061	207, 300	698	E2	14	
IDGMP25062	207, 304	1037	E2	16	
IDGMP25063	207, 304	1044	E2	18	
IDGMP25091	207, 300	729	E2	14	
IDGMP25092	207, 304	1059	E2	20	
IDGMP25181	207, 300	729	E2	14	
IDGMP25182	207, 304	1059	E2	20	
IDGMP33005	304	1012	E2	25	
IDGMP33010	207, 304	1012	E2	25	
IDGMP33015	207, 304	1012	E2	25	
IDGMP33020	207, 304	1012	E2	25	
IDGMP33030	207, 304	1037	E2	28	
IDGMP33040	207, 304	1037	E2	28	
IDNRPM18054C	195	3666	E2	160	
IDNRPM18074C	195	4215	E2	210	
IDNRPM21104C	195	4990	E2	285	
IDVSWDM3538	73	1538	E2	32	3516M
IDVSWDM3542	73	1748	E2	35	3519M
IDVSWDM3546	73	1814	E2	40	3524M
IDVSWDM3546T	73	1814	E2	40	3524M
IDVSWDM3554	73	1940	E2	50	3533M
IDVSWDM3554T	73	1940	E2	50	3533M
IDVSWDM3558	73	2066	E2	45	3528M
IDVSWDM3558T	73	2066	E2	46	3528M
IDVSWDM3611T	73	2172	E2	80	3635M
IDVSWDM3615T	73	2532	E2	97	3646M
IDWNM22937T	74	3593	E2	240	394M

⁽¹⁾ Shipping weight is approximate.

Catalog Number	Page Number	List Price	Mult Sym.	Ship Weight ⁽¹⁾	Type Code
IDWNM22938T	74	4208	E2	287	3956M
IDWNM3546T	74	1551	E2	41	3524M
IDWNM3554T	74	1708	E2	52	3533M
IDWNM3609T	74	1882	E2	69	3628M
IDWNM3611T	74	2050	E2	90	364M
IDWNM3707T	74	2320	E2	122	3732M
IDXCM7542T-C	90	1892	E2	175	
IDXCM7544T-C	90	2217	E2	225	
IDXCM7547T-C	90	2809	E2	250	
IDXCM7554T-C	90	4359	E2	350	
IDXCM7556T-C	90	5557	E2	400	
IDXCM7558T-C	90	7558	E2	450	
IDXCM7560T-C	90	8918	E2	500	
IDXCM7562T-C	90	11963	E2	825	
IDXCM7564T-C	90	13615	E2	900	
IDXCM7566T-C	90	15841	E2	910	A3662M
IDXCM7568T-C	90	16300	E2	965	A367M
IDXCM7570T-C	90	3760	E2	300	
IDXM7002	89	1190	E2	43	3513M
IDXM7006	89	1223	E2	39	3513M
IDXM7010	89	1250	E2	43	3517M
IDXM7014T	89	1392	E2	52	3519M
IDXM7034T	89	1442	E2	60	3526M
IDXM7037T	89	1577	E2	63	3535M
IDXM7054T	88	4026	E2	383	942M
IDXM7056T	88	5224	E2	408	952M
IDXM7058T	88	6190	E2	536	15M
IDXM7060T	88	7550	E2	561	156M
IDXM7062T	88	10113	E2	748	1254M
IDXM7064T	88	11765	E2	527	1272M
IDXM7066T	88	13433	E2	1024	A3662M
IDXM7068T	88	14892	E2	1391	A464M
IDXM7142T	88	1715	E2	145	632M
IDXM7144T	88	2040	E2	161	64M
IDXM7147T	88	2565	E2	227	735M
IDXM7170T	88	3516	E2	231	748M
IDXM7542T	88	1799	E2	146	632M
IDXM7542T-C	90	1577	E2	175	632M
IDXM7544T	88	2621	E2	212	728M
IDXM7544T-C	90	1902	E2	225	728M
IDXM7547T	88	3685	E2	226	735M
IDXM7547T-C	90	2468	E2	250	735M
IDXM7554T	88	5348	E2	392	948M
IDXM7554T-C	90	3846	E2	350	948M
IDXM7556T	88	6485	E2	526	146M
IDXM7556T-C	90	5044	E2	400	146M
IDXM7558T	88	7808	E2	708	125M
IDXM7558T-C	90	6700	E2	450	125M
IDXM7560T	88	9088	E2	738	1248M
IDXM7560T-C	90	8060	E2	500	1248M
IDXM7562T	88	10165	E2	1013	A3662M
IDXM7562T-C	90	10723	E2	825	A3662M
IDXM7564T	88	12680	E2	1034	A3662M
IDXM7564T-C	90	12375	E2	900	A3662M

Catalog Number	Page Number	List Price	Mult Sym.	Ship Weight ⁽¹⁾	Type Code
IDXM7566T	88	15021	E2	1262	A464M
IDXM7566T-C	90	14266	E2	965	A3662M
IDXM7568T-C	90	14725	E2	1326	A367M
IDXM7570T	88	4124	E2	392	932M
IDXM7570T-C	90	3419	E2	300	932M
IM3540A	129	729	K	42	3523M
IM3540A-P	129	707	K	43	3523M
IR3507M	131	644	K	40	3524L
IR3510M	131	698	K	40	3528L
IR3603M	131	1391	L1	68	3628L
IR3605M	131	1448	L1	76	3634L
JAX1	340	11	QDB01	1	
JAX1-1/16	340	11	QDB01	1	
JAX1-1/4	340	11	QDB01	1	
JAX1-1/8	340	11	QDB01	1	
JAX1-3/16	340	11	QDB01	1	
JAX1/2	340	11	QDB01	1	
JAX1/2KW	340	16	QDB01	1	
JAX11/16	340	11	QDB01	1	
JAX13/16	340	11	QDB01	1	
JAX14MM	343	11	QDB02	1	
JAX15/16	340	11	QDB01	1	
JAX15MM	343	11	QDB02	1	
JAX16MM	343	11	QDB02	1	
JAX18MM	343	11	QDB02	1	
JAX19MM	343	11	QDB02	1	
JAX20MM	343	11	QDB02	1	
JAX22MM	343	11	QDB02	1	
JAX24MM	343	11	QDB02	1	
JAX25MM	343	11	QDB02	1	
JAX28MM	343	11	QDB02	1	
JAX3/4	340	11	QDB01	1	
JAX5/8	340	11	QDB01	1	
JAX7/8	340	11	QDB01	1	
JAX9/16	340	11	QDB01	1	
JL1205A	92	270	K	25	3416L
JL1301A	92	311	K	23	3414L
JL1303A	92	304	K	26	342L
JL1304A	92	366	K	25	3418L
JL1306A	92	400	K	33	3424L
JL1307A	92	462	K	33	3428L
JL1309A	92	414	K	32	3428L
JL1313A	92	578	K	36	3432LC
JL1317A	92	713	K	45	3528L
JL1323A	92	732	K	52	3535LC
JL3405A	91	313	K	19	3416L
JL3501A	91	391	K	22	3414L
JL3503A	91	359	K	26	342L
JL3504A	91	454	K	27	3421L
JL3506A	91	427	K	29	3424L
JL3507A	91	539	K	33	3428LC
JL3509A	91	522	K	42	3524L
JL3510A	91	619	K	40	3528L
JL3513A	91	619	K	45	3528L

⁽¹⁾ Shipping weight is approximate.

Motor
Accessories

PT Components

Grinders

Baldor
Mod Express

ABB
Mod Express

ABB ATEX
Mod Express

Product
Index

Motor
Accessories
PT Components
Grinders
Baldor
Mod Express
ABB
Mod Express
ABB ATEX
Mod Express
Product
Index

Catalog Number	Page Number	List Price	Mult Sym.	Ship Weight ⁽¹⁾	Type Code
JL3514A	91	679	K	51	3532LC
JL3515A	91	727	K	54	3535L
JL3516A	91	773	K	52	3535LC
JL5003A	87	691	K	37	3513L
JL5006A	87	773	K	37	3516L
JL5009A	87	828	K	49	3524L
JL5030	87	1065	K	52	3528L
JL5031	87	1157	K	60	3535L
JM3006	94	320	K	19	341M
JM3107	94	338	K	21	3413M
JM3108	94	404	K	23	3416M
JM3111	94	401	K	23	3416M
JM3112	94	446	K	27	342M
JM3115	94	446	K	32	342M
JM3116	94	489	K	30	3424M
JM3120	94	532	K	30	3424M
JM3154	94	582	K	34	3432M
JM3155	94	632	K	35	343M
JM3158	94	750	K	42	3524M
JM3457	93	351	K	19	341M
JM3458	93	380	K	21	3413M
JM3460	93	380	K	21	3413M
JM3461	93	448	K	23	3416M
JM3463	93	416	K	23	3416M
JM3542	93	484	K	26	342M
JM3545	93	496	K	26	342M
JM3546	93	514	K	31	3426M
JM3550	93	514	K	29	3424M
JM3554	93	565	K	35	352M
JM3555	93	651	K	41	3524M
JM3558	93	630	K	40	3523M
JM3559	93	707	K	44	3528M
JM7013	87	918	K	30	3416M
JM7018	87	936	K	41	3516M
JM7071	87	980	K	48	3524M
JML1406T	96	987	L1	69	3628L
JML1408T	96	1132	L1	80	3634LC
JML1409T	96	1394	L1	81	3634LC
JML1508T	96	1606	L1	115	3727L
JML1509T	96	2000	L1	116	3729L
JML1510T	96	2115	L1	142	3744LC
JML1511T	96	2459	L1	141	374L
JML1512T	96	2618	L1	150	3744LC
JML3606T	96	1035	L1	79	3634L
JML3608T	96	1379	L1	93	364LC
JMM2333T	99	2842	L1	236	756M
JMM2333T-5	169	2842	L1	236	756M
JMM2334T	99	3009	L1	245	76M
JMM2394T	99	2915	L1	225	748M
JMM2394T-5	169	2915	L1	225	748M
JMM2506T	101	1610	L1	160	3756M
JMM2511T	101	1995	L1	242	3948M
JMM2513T	101	2049	L1	155	3748M
JMM2514T	101	2461	L1	195	393M

Catalog Number	Page Number	List Price	Mult Sym.	Ship Weight ⁽¹⁾	Type Code
JMM2515T	101	2484	L1	197	376M
JMM2516T	101	3049	L1	221	3934M
JMM2524T	101	2602	L1	323	3958M
JMM2531T	101	3078	L1	281	3942M
JMM2534T	101	3127	L1	267	3936M
JMM2535T	101	3529	L1	299	3952M
JMM2538T	102	4593	L1	307	3946M
JMM2539T	102	4575	L1	375	452M
JMM2542T	102	4997	L1	368	444M
JMM2543T	102	5205	L1	406	46M
JMM2546T	102	6220	L1	401	454M
JMM3116T	100	607	L1	35	3516M
JMM3120T	100	632	L1	40	352M
JMM3154T	100	599	L1	38	3519M
JMM3155T	100	700	L1	42	3522M
JMM3157T	100	685	L1	42	3523M
JMM3158T	100	742	L1	48	3528M
JMM3158T-5	169	742	L1	47	3526M
JMM3211T	100	735	L1	63	3536M
JMM3211T-5	169	735	L1	67	3536M
JMM3212T	101	834	L1	62	3535M
JMM3212T-5	169	834	L1	61	3535M
JMM3218T	101	795	L1	73	363M
JMM3218T-5	169	795	L1	73	363M
JMM3219T	101	1020	L1	71	3627M
JMM3219T-5	169	1020	L1	73	3627M
JMM3309T	101	1276	L1	124	3734M
JMM3311T	101	1155	L1	106	3644M
JMM3311T-5	169	1155	L1	95	3644M
JMM3312T	101	1387	L1	116	3726M
JMM3312T-5	169	1387	L1	116	3728M
JMM3313T	101	1372	L1	121	3733M
JMM3313T-5	169	1372	L1	119	3733M
JMM3314T	101	1864	L1	126	3731M
JMM3314T-5	169	1864	L1	124	3731M
JMM3546T	98	657	L1	39	3516M
JMM3546T-5	169	657	L1	38	3516M
JMM3550T	98	690	L1	42	352M
JMM3550T-5	169	690	L1	39	352M
JMM3554T	98	690	L1	43	3521M
JMM3554T-5	169	690	L1	41	3521M
JMM3555T	98	769	L1	47	3526M
JMM3555T-5	169	769	L1	49	3526M
JMM3558T	98	721	L1	46	3524M
JMM3558T-5	169	721	L1	51	3524M
JMM3559T	98	862	L1	53	3532M
JMM3559T-5	169	862	L1	55	3535M
JMM3610T	98	894	L1	56	3532M
JMM3610T-5	169	894	L1	68	3623M
JMM3611T	98	862	L1	66	3542M
JMM3611T-5	169	862	L1	66	3542M
JMM3613T	98	1104	L1	74	3626M
JMM3613T-5	169	1104	L1	78	363M
JMM3615T	98	964	L1	85	3635M

⁽¹⁾ Shipping weight is approximate.

Catalog Number	Page Number	List Price	Mult Sym.	Ship Weight ⁽¹⁾	Type Code
JMM3615T-5	169	964	L1	81	3634M
JMM3616T	98	1249	L1	91	364M
JMM3616T-5	169	1249	L1	91	364M
JMM3709T	98	1407	L1	98	364M
JMM3710T	98	1233	L1	125	3731M
JMM3710T-5	169	1233	L1	122	3731M
JMM3711T	98	1682	L1	124	3729M
JMM3711T-5	169	1682	L1	123	3729M
JMM3713T	99	2216	L1	160	3748M
JMM3713T-5	169	2216	L1	170	3748M
JMM3714T	98	1556	L1	137	374M
JMM3714T-5	169	1556	L1	137	374M
JMM4103T	99	3516	L1	366	954M
JMM4104T	99	4333	L1	382	964M
JMM4106T	99	3208	L1	255	754M
JMM4107T	99	3603	L1	342	942M
JMM4108T	99	4716	L1	370	954M
JMM4109T	99	5661	L1	460	15M
JMM4110T	99	5456	L1	486	164M
JMM4114T	99	6174	L1	507	164M
JMM4115T	99	6396	L1	591	1254M
JMM7026T	87	1466	L1	89	362M
JMM7045T	87	2610	L1	165	3723M
JMM7072T	87	1981	L1	110	3634M
JMM7073T	87	2227	L1	118	364M
JMM7074T	87	2956	L1	165	3731M
JMM7075T	87	1466	L1	69	3532M
JMSSEWDM3546T	66, 103	1805	WD	62	3525M
JMSSEWDM3550T	66, 103	1809	WD	68	3532M
JMSSEWDM3554T	66, 103	1820	WD	69	3533M
JMSSEWDM3555T	66, 103	2138	WD	72	3535M
JMSSEWDM3558T	66, 103	2168	WD	74	3538M
JMSSEWDM3559T	66, 103	2568	WD	83	3546M
JMSSEWDM3611T	66, 103	2696	WD	108	3635M
JMSSEWDM3613T	66, 103	2904	WD	104	3634M
JMSSEWDM3615T	66, 103	2924	WD	121	3646M
JMSSEWDM3709T	66, 103	3423	WD	184	3735M
JMSSEWDM3710T	66, 103	3487	WD	135	3739M
JMSSEWDM3711T	66, 103	3838	WD	154	3744M
JMSSEWDM3714T	66, 103	4049	WD	187	3756M
JMWDM3546T	66, 103	954	WD	39	3518M
JMWDM3550T	66, 103	998	WD	42	352M
JMWDM3554T	66, 103	998	WD	46	3526M
JMWDM3555T	66, 103	1110	WD	47	3526M
JMWDM3558T	66, 103	1044	WD	45	3524M
JMWDM3559T	66, 103	1249	WD	53	3532M
JMWDM3611T	66, 103	1249	WD	67	3542M
JMWDM3613T	66, 103	1601	WD	79	3626M
JMWDM3615T	66, 103	1398	WD	89	3635M
JMWDM3616T	66, 103	1814	WD	96	364M
JMWDM3710T	66, 103	1787	WD	125	3731M
JMWDM3711T	66, 103	2438	WD	134	3732M
JMWDM3713T	66, 103	2904	WD	160	375M
JMWDM3714T	66, 103	2257	WD	136	374M

Catalog Number	Page Number	List Price	Mult Sym.	Ship Weight ⁽¹⁾	Type Code
JPL1406T	96	987	L1	76	3628L
JPL1408T	96	1132	L1	87	3634LC
JPL1409T	96	1394	L1	88	3634LC
JPL1508T	96	1606	L1	117	3727L
JPL1509T	96	2000	L1	121	3729L
JPL1510T	96	2115	L1	143	3744LC
JPL1511T	96	2459	L1	148	374L
JPL1512T	96	2618	L1	142	3744LC
JPM2333T	99	2842	L1	236	756M
JPM2334T	99	3009	L1	245	76M
JPM2394T	99	2915	L1	225	748M
JPM2513T	101	2049	L1	175	3748M
JPM2514T	101	2461	L1	206	393M
JPM2515T	101	2484	L1	197	376M
JPM2516T	101	3049	L1	219	3934M
JPM2531T	101	3078	L1	282	3942M
JPM2534T	101	3127	L1	270	3936M
JPM2535T	101	3529	L1	255	3952M
JPM2538T	102	4593	L1	308	3946M
JPM2539T	102	4575	L1	378	452M
JPM2542T	102	4997	L1	376	444M
JPM2543T	102	5205	L1	415	46M
JPM2547T	102	5912	L1	507	4252M
JPM2551T	102	7764	L1	586	4266M
JPM3116T	100	607	L1	37	3516M
JPM3154T	100	599	L1	39	3519M
JPM3157T	100	685	L1	43	3523M
JPM3158T	100	742	L1	41	3528M
JPM3211T	100	735	L1	61	3536M
JPM3212T	101	834	L1	65	3535M
JPM3218T	101	795	L1	74	363M
JPM3219T	101	1020	L1	73	3627M
JPM3311T	101	1155	L1	124	3731M
JPM3312T	101	1387	L1	120	3726M
JPM3313T	101	1372	L1	127	3733M
JPM3314T	101	1864	L1	131	3731M
JPM3554T	98	690	L1	44	3521M
JPM3555T	98	769	L1	48	3526M
JPM3558T	98	721	L1	42	3524M
JPM3559T	98	862	L1	54	3532M
JPM3610T	98	894	L1	58	3532M
JPM3611T	98	862	L1	67	3542M
JPM3613T	98	1104	L1	77	3626M
JPM3615T	98	964	L1	88	3635M
JPM3616T	98	1249	L1	93	364M
JPM3709T	98	1407	L1	120	3723M
JPM3710T	98	1262	L1	127	3731M
JPM3711T	98	1682	L1	128	3729M
JPM3713T	99	2216	L1	160	3748M
JPM3714T	98	1556	L1	146	374M
JPM4103T	99	3516	L1	356	954M
JPM4104T	99	4333	L1	386	964M
JPM4106T	99	3208	L1	255	754M
JPM4107T	99	3603	L1	333	942M

⁽¹⁾ Shipping weight is approximate.

Motor
Accessories

PT Components

Grinders

Baldor
Mod Express

ABB
Mod Express

ABB ATEX
Mod Express

Product
Index

Motor
Accessories

PT
Components

Grinders

Baldor
Mod Express

ABB
Mod Express

ABB ATEX
Mod Express

Product
Index

Catalog Number	Page Number	List Price	Mult Sym.	Ship Weight ⁽¹⁾	Type Code
JPM4108T	99	4716	L1	359	95M
JPM4109T	99	5661	L1	468	15M
JPM4110T	99	5456	L1	496	164M
JPM4114T	99	6174	L1	517	164M
JPM4115T	99	6396	L1	595	1254M
JSL325A	95	376	K	24	3416L
JSL425A	95	399	K	26	172L
JSL525A	95	426	K	30	3424L
JSL625A	95	580	K	42	1924L
JSL725A	95	582	K	47	1928L
JSM3107	95	338	K	21	3413M
JSM3111	95	400	K	24	3416M
JSM3115	95	443	K	27	342M
JSM3120	95	528	K	31	3424M
JSM3155	95	625	K	35	343M
JWDM3463	65, 95	634	WD	33	3513M
JWDM3545	65, 95	769	WD	35	3516M
JWDM3550	65, 95	802	WD	38	352M
JWDM3555	65, 95	905	WD	43	3524M
JWDM3559	65, 95	1109	WD	48	3528M
JX1-1/2	341	160	QDB01	28	
JX1-11/16	341	160	QDB01	27	
JX1-13/16	341	160	QDB01	27	
JX1-15/16	341	160	QDB01	26	
JX1-3/4	341	160	QDB01	27	
JX1-5/8	341	160	QDB01	27	
JX1-7/16	341	160	QDB01	28	
JX1-7/8	341	160	QDB01	26	
JX1-9/16	341	160	QDB01	27	
JX100MM	343	160	QDB02	15	
JX110MM	343	160	QDB02	12	
JX115MM	343	160	QDB02	11	
JX2	341	160	QDB01	26	
JX2-1/16	341	160	QDB01	26	
JX2-1/2	341	160	QDB01	24	
JX2-1/4	341	160	QDB01	25	
JX2-1/8	341	160	QDB01	25	
JX2-11/16	341	160	QDB01	23	
JX2-13/16	341	160	QDB01	22	
JX2-15/16	341	160	QDB01	22	
JX2-3/16	341	160	QDB01	25	
JX2-3/4	341	160	QDB01	23	
JX2-3/8	341	160	QDB01	24	
JX2-5/16	341	160	QDB01	24	
JX2-5/8	341	160	QDB01	23	
JX2-7/16	341	160	QDB01	24	
JX2-7/8	341	160	QDB01	22	
JX2-9/16	341	160	QDB01	24	
JX3	341	160	QDB01	21	
JX3-1/16	341	160	QDB01	21	
JX3-1/2	341	160	QDB01	18	
JX3-1/4	341	160	QDB01	20	
JX3-1/8	341	160	QDB01	21	
JX3-11/16	341	160	QDB01	17	

Catalog Number	Page Number	List Price	Mult Sym.	Ship Weight ⁽¹⁾	Type Code
JX3-13/16	341	160	QDB01	17	
JX3-15/16	341	160	QDB01	16	
JX3-3/16	341	160	QDB01	20	
JX3-3/4	341	160	QDB01	17	
JX3-3/8	341	160	QDB01	19	
JX3-5/16	341	160	QDB01	19	
JX3-5/8	341	160	QDB01	17	
JX3-7/16	341	160	QDB01	19	
JX3-7/8	341	160	QDB01	17	
JX3-9/16	341	442	QDB01	17	
JX4	341	160	QDB01	16	
JX4-1/16	341	160	QDB01	15	
JX4-1/2	341	160	QDB01	12	
JX4-1/4	341	160	QDB01	14	
JX4-1/8	341	160	QDB01	15	
JX4-3/16	341	160	QDB01	14	
JX4-3/8	341	160	QDB01	13	
JX4-5/16	341	160	QDB01	13	
JX4-7/16	341	160	QDB01	12	
JX50MM	343	160	QDB02	26	
JX55MM	343	160	QDB02	25	
JX60MM	343	160	QDB02	25	
JX65MM	343	160	QDB02	24	
JX70MM	343	160	QDB02	23	
JX75MM	343	160	QDB02	22	
JX80MM	343	160	QDB02	20	
JX85MM	343	160	QDB02	19	
JX90MM	343	160	QDB02	18	
JX95MM	343	160	QDB02	17	
K18G10	334	268	A8	35	
K18G11	334	199	A8	10	
K18G12	334	212	A8	15	
K18G8	334	229	A8	20	
K18G9	334	237	A8	25	
K36G16	332	313	P1		
K36G2	330	730	A8	69	
K36G8	332	274	P1		
K36G801	330	1298	A8	65	
K36G9	332	300	P1		
K40G2	330	1086	A8	172	
K40G3	332	332	P1		
K40G70	330	1086	A8	120	
K40G71	330	1665	A8	116	
K40G8	332	300	P1		
K40G801	330	2448	A8	117	
K40G802	330	2448	A8	135	
K40G9	332	332	P1		
K44G5	332	752	P1	125	
K44G50	330	1665	A8	249	
K44G51	330	1665	A8	251	
K44G70	330	1665	P1	21	
K44G71	330	1765	P1	196	
K44G8	332	332	P1	0	
K44G801	330	2448	A8	140	

⁽¹⁾ Shipping weight is approximate.

Catalog Number	Page Number	List Price	Mult Sym.	Ship Weight ⁽¹⁾	Type Code
K44G802	330	1874	A8	155	
K44G9	332	356	P1	0	
K99G70	203	1442	E8	9	
K99G71	203	1442	E8	9	
K99G72	203	1442	E8	35	
K99G73	203	1442	E8	4	
K99G74	203	1442	E8	0	
K99G75	203	1442	E8	9	
K99G76	203	1442	E8	5	
K99G77	203	1442	E8	5	
K99G78	203	1622	E8	3	
K99G79	203	1622	E8	6	
K99G80	203	1442	E8	5	
K99G81	203	1442	E8	5	
KBL3406	152	939	K	27	3414L
KBL3409	152	1031	K	32	3421L
KBM3454	152	833	K	26	3413M
KBM3458	152	885	K	23	3416M
KENM3454	23	513	K	26	3513M
KENM3534	23	566	K	33	3513M
KENM3535	23	832	K	35	352M
KL1200	16	299	K	19	348L
KL1203	16	304	K	21	3411L
KL1205	16	290	K	21	3413L
KL1205A	16	296	K	21	3413L
KL3400	12	353	K	19	348L
KL3401	12	494	K	24	3418L
KL3403	12	363	K	20	3411L
KL3405	12	335	K	24	3413L
KM3003	30	311	K	19	341M
KM3006	30	318	K	20	341M
KM3454	23	329	K	19	341M
KM3454-57	191	361	K	20	341M
KM3457	23	336	K	20	341M
KNM3454	23	348	K	18	341M
KNM3457/35	23	541	K	29	3513M
KNM3534	23	385	K	23	3416M
L035	414	3	CPL32	1	
L035N	414	2	CPL32	1	
L050	414	3	CPL32	1	
L050B	414	12	CPL32	1	
L050H	414	7	CPL32	1	
L050N	414	2	CPL32	1	
L050U	414	9	CPL32	1	
L070	414	5	CPL32	1	
L070B	414	15	CPL32	1	
L070H	414	10	CPL32	1	
L070N	414	3	CPL32	1	
L070U	414	6	CPL32	1	
L075	414	6	CPL32	1	
L075B	414	23	CPL32	1	
L075H	414	15	CPL32	1	
L075N	414	5	CPL32	1	
L075U	414	7	CPL32	1	

Catalog Number	Page Number	List Price	Mult Sym.	Ship Weight ⁽¹⁾	Type Code
L090	414	9	CPL32	1	
L090-095B	414	26	CPL32	1	
L090-095H	414	20	CPL32	1	
L090-095N	414	7	CPL32	1	
L090-095U	414	11	CPL32	1	
L095	414	14	CPL32	1	
L099	414	17	CPL32	1	
L099-100B	414	38	CPL32	1	
L099-100H	414	48	CPL32	1	
L099-100N	414	14	CPL32	1	
L099-100U	414	28	CPL32	1	
L100	414	35	CPL32	1	
L110	414	35	CPL32	1	
L110B	414	45	CPL32	1	
L110H	414	58	CPL32	1	
L110N	414	16	CPL32	1	
L110U	414	52	CPL32	1	
L1177T	11	5867	L1	323	956LC
L1200	14	279	K	18	348L
L1201	14	427	K	23	3418L
L1203	14	284	K	21	3414L
L1203M	14	326	K	20	3411L
L1204	14	456	K	25	3421L
L1205	14	268	K	20	3413L
L1205-50	189	309	K	22	3416L
L1206	14	326	K	21	3414L
L1206-50	189	376	K	24	3418L
L1206M	14	367	K	22	3414L
L1207	14	487	K	29	3424L
L1208	14	296	K	21	3416L
L1208-50	189	340	K	25	342L
L1209	14	410	K	26	3421L
L1209-50	189	472	K	28	3424L
L1209M	14	455	K	24	3418L
L1300	14	475	K	25	3421L
L1301	14	329	K	21	3414L
L1301M	14	386	K	12	3414L
L1302	14	487	K	28	3424L
L1303	14	296	K	21	3413L
L1304	14	365	K	26	3421L
L1304-50	189	428	K	29	3424L
L1304A	14	434	K	24	3418L
L1304M	14	455	K	24	3418L
L1305	14	732	K	34	3524L
L1306	14	362	K	26	342L
L1306-50	189	414	K	28	3424L
L1306A	14	380	K	31	3424L
L1307	14	450	K	35	3428L
L1307-50	189	529	K	38	3524L
L1307A	14	528	K	32	3428L
L1307M	14	541	K	32	3428L
L1308	14	824	K	43	3528LC
L1309	14	379	K	31	3428L
L1309-50	189	436	K	34	3432L

⁽¹⁾ Shipping weight is approximate.

Motor
Accessories

PT Components

Grinders

Baldor
Mod Express

ABB
Mod Express

ABB ATEX
Mod Express

Product
Index

Motor
Accessories

PT
Components

Grinders

Baldor
Mod Express

ABB
Mod Express

ABB ATEX
Mod Express

Product
Index

Catalog Number	Page Number	List Price	Mult Sym.	Ship Weight ⁽¹⁾	Type Code
L1309A	14	404	K	31	3428L
L1310	14	492	K	34	352L
L1310M	14	629	K	36	352L
L1313	15	532	K	40	3428LC
L1313-50	189	612	K	43	3528L
L1313A	15	556	K	40	3524L
L1313T	15	532	L1	36	352L
L1317	15	707	K	44	3528L
L1317-50	189	815	K	47	3532L
L1317A	15	727	K	43	3528L
L1318	14	538	K	43	3528L
L1318-50	189	645	K	41	3528L
L1318M	14	586	K	43	3528L
L1318T	14	561	L1	43	3528L
L1318TM	14	586	L1	42	3528L
L1319	15	634	K	42	3528L
L1319-50	189	744	K	41	3528L
L1319M	15	707	K	43	3528L
L1319T	15	599	L1	42	3528L
L1320T	15	758	L1	46	3528LC
L1321T	15	719	L1	49	3535L
L1321TM	15	780	L1	48	3535L
L1322T	15	733	L1	49	3532LC
L1322TM	15	798	L1	45	3532LC
L1401	142	799	L1	46	3617L
L1401M	142	867	L1	49	3617L
L1403	142	892	L1	56	3623L
L1405	142	936	L1	65	3628L
L1405T	15	752	L1	66	3628L
L1405T-50	189	865	L1	66	3628L
L1406T	15	862	L1	65	3628L
L1407	142	1401	L1	64	3628L
L1408T	15	814	L1	76	3634LC
L1408T-50	189	934	L1	91	3646LC
L1408TM	15, 137	958	L1	74	3634LC
L1409T	15	1026	L1	79	3634L
L1410T	15	962	LS	81	364LC
L1410TM	15, 137	1165	L1	85	364LC
L1413	139	1268	L1	52	3617L
L1414	139	1483	L1	59	3623L
L1430T	15	883	L1	78	3634LC
L1430TM	15	1165	L1	82	3634LC
L150	414	45	CPL32	1	
L1503	142	2188	L1	108	3729L
L1505	142	1781	L1	106	3729L
L1508T	15	1271	L1	108	3727L
L1508T-50	189	1462	L1	112	373LC
L1509T	15	1585	L1	94	364LC
L150B	414	146	CPL32	1	
L150H	414	69	CPL32	1	
L150N	414	23	CPL32	1	
L150U	414	63	CPL32	1	
L1510T	15	1379	L1	134	3744LC
L1511T	15	1999	L1	131	374L

Catalog Number	Page Number	List Price	Mult Sym.	Ship Weight ⁽¹⁾	Type Code
L1512T	15	2013	L1	132	3737LC
L190	414	70	CPL32	2	
L190B	414	222	CPL32	1	
L190H	414	82	CPL32	1	
L190N	414	28	CPL32	1	
L190U	414	68	CPL32	1	
L225	414	85	CPL32	2	
L225B	414	284	CPL32	2	
L225H	414	96	CPL32	1	
L225N	414	34	CPL32	1	
L225U	414	87	CPL32	1	
L3	430	28	A8	1	
L3351	10	296	K	15	331L
L3352	10	303	K	15	331L
L3353	10	308	K	16	3313L
L3354	10	318	K	16	3313L
L3355	10	336	K	18	3316L
L3356	10	340	K	18	3316L
L3400	10	335	K	18	348L
L3401	10	472	K	23	3418L
L3403	10	344	K	20	3411L
L3403M	10	394	K	11	3411L
L3404	10	503	K	25	3421L
L3405	10	313	K	21	3413L
L3406	10	365	K	22	3414L
L3406M	10	414	K	22	3414L
L3407	10	553	K	27	3424L
L3408	10	354	K	22	3413L
L3409	10	405	K	26	3421L
L3409-50	189	476	K	31	3428L
L3409M	10	487	K	26	3421L
L3500	10	528	K	30	3516L
L3501	10	353	K	22	3414L
L3501-50	189	418	K	25	3418L
L3501M	10	414	K	22	3414L
L3502	10	553	K	28	3424L
L3503	10	354	K	23	3413L
L3503-50	189	409	K	27	342L
L3504	10	414	K	27	3421L
L3504-50	189	476	K	32	3428L
L3504A	10	495	K	27	3421L
L3504M	10	487	K	27	3421L
L3505	10	784	K	43	3528L
L3506	10	399	K	28	3424L
L3506-50	189	456	K	35	352L
L3507	10	477	K	33	3428LC
L3507-50	189	565	K	38	3524L
L3507A	10	598	K	35	3428LC
L3507M	10	572	K	33	3428LC
L3508	10	907	K	44	3528LC
L3508T	10	893	L1	46	3528LC
L3509	11	462	K	37	352L
L3509-50	189	531	K	40	3524L
L3509M	11	522	K	40	3524L

⁽¹⁾ Shipping weight is approximate.

Catalog Number	Page Number	List Price	Mult Sym.	Ship Weight ⁽¹⁾	Type Code
L3510	11	541	K	41	3524L
L3510-50	189	650	K	47	3532L
L3510A	11	672	K	40	3524L
L3510M	11	649	K	38	3524L
L3510T	11	552	L1	39	3524L
L3510TM	11	649	L1	40	3524L
L3513	11	619	K	41	3524L
L3513-50	189	699	K	48	3532L
L3513M	11	708	K	46	3528L
L3513T	11	607	L1	43	3524L
L3514	11	625	K	49	3532LC
L3514-50	189	734	K	46	3535LC
L3514A	11	797	K	48	3532LC
L3514M	11	733	K	51	3532LC
L3514T	11	634	L1	44	3526LC
L3514T-50	189	734	L1	51	3535LC
L3514TM	11	733	L1	49	3532LC
L3515	11	790	K	52	3535L
L3515-50	189	909	K	53	3535LC
L3515M	11	827	K	52	3535L
L3515T	11	797	L1	52	3535L
L3516T	11	1013	L1	51	3535LC
L3516TM	11, 137	1043	K	46	3528LC
L3565M	139	827	K	38	3524L
L3566M	139	899	K	41	3524L
L3567M	139	1089	K	49	3532LC
L3576M	139	696	K	36	352L
L3601	142	996	L1	55	362L
L3603	142	1085	L1	66	3628L
L3605	142	1214	L1	67	3628L
L3605M	142	1301	L1	66	3628L
L3605T	11	905	L1	68	3628L
L3605T-50	189	1039	L1	76	3634LC
L3605TM	11	1104	L1	73	3634L
L3606T	11	934	L1	74	3634L
L3607	142	1590	L1	74	3634L
L3608T	11	1285	L1	88	364LC
L3608TM	11, 137	1326	L1	89	364LC
L3609T	11	1065	L1	80	3634LC
L3609T-50	189	1223	L1	95	3646LC
L3609TM	11, 137	1152	L1	79	3634LC
L3612TM	11, 137	1339	L1	100	3646LC
L3613T	11	1657	L1	77	3634LC
L3703	142	2626	L1	113	3735LC
L3705	142	2070	L1	117	3735LC
L3706	142	3153	L1	110	3727LC
L3708	142	2117	L1	100	3726LC
L3708T	11	1271	L1	116	3726LC
L3708T-50	189	1462	L1	119	3732LC
L3708TM	11	1493	L1	135	3744LC
L3709T	11	1655	L1	123	3735LC
L3710T	11	1679	L1	134	3734LC
L3711T	11	2029	L1	148	3744LC
L3712T	11	2060	L1	158	3748LC

Catalog Number	Page Number	List Price	Mult Sym.	Ship Weight ⁽¹⁾	Type Code
L3912T	11	5269	L1	303	3956LC
L4	430	30	A8	1	
L4003A	75	553	K	26	3411L
L4005A	75	490	K	32	3413L
L4006A	75	713	K	29	3414L
L4009A	75	784	K	35	3424L
L5000A	75	528	K	29	3414L
L5000A-C	75	657	K	35	3414L
L5001A	75	679	K	29	3414L
L5002A	75	961	K	41	352L
L5003A	75	644	K	29	3416L
L5004A	75	748	K	35	3424L
L5004A-C	75	877	K	40	3424L
L5005A	75	1107	K	50	3528L
L5006A	75	726	K	40	3516L
L5007A	75	879	K	47	3524L
L5007A-C	75	1008	K	53	3524L
L5009A	75	784	K	48	3524L
L5013	75	2036	L1	77	3628L
L5018	75	3257	L1	152	3735L
L5020	75	4143	L1	166	3744LC
L5022	75	1280	K	57	354L
L5023A	75	1001	K	48	3524L
L5023T	75	980	L1	46	3528L
L5026	75	2193	L1	83	3634L
L5027T	75	2063	L1	84	3634L
L5028T	75	2144	L1	84	3634L
L5030T	75	1136	L1	54	3528L
L5031T	75	1404	L1	57	3535L
L7	430	55	A8	1	
LB73	304, 307, 335	49	A8	2	
LB73GR	304, 307, 335	49	A8	2	
LB74	304, 307, 335	69	A8	2	
LB74GR	304, 307, 335	69	A8	2	
LB75	304, 307, 335	96	A8	7	
LB75GR	304, 307, 335	96	A8	3	
LPL50	430	490	G1	43	352S
LPL75	430	598	G1	48	3524C
LX1	340, 345	9	QDB20	1	
LX1-1/16	340, 345	9	QDB20	1	
LX1-1/2	340, 345	9	QDB20	1	
LX1-1/4	340, 345	9	QDB20	1	
LX1-1/8	340, 345	9	QDB20	1	
LX1-3/16	340, 345	9	QDB20	1	
LX1-3/8	340, 345	9	QDB20	1	
LX1-5/1	340	9	QDB20	1	
LX1-5/16	345	9	QDB20	1	
LX1-7/16	340, 345	9	QDB20	1	
LX1/2	340, 345	9	QDB20	1	
LX1/2KW	340	16	QDB01	1	
LX11/16	340, 345	9	QDB20	1	
LX13/16	340, 345	9	QDB20	1	
LX14MM	343	9	QDB20	1	
LX15/16	340, 345	9	QDB20	1	

⁽¹⁾ Shipping weight is approximate.

Motor
Accessories

PT Components

Grinders

Baldor
Mod Express

ABB
Mod Express

ABB ATEX
Mod Express

Product
Index

Motor
Accessories
PT Components
Grinders
Mod Express
ABB
Mod Express
ABB ATEX
Mod Express
Product
Index

Catalog Number	Page Number	List Price	Mult Sym.	Ship Weight ⁽¹⁾	Type Code
LX15MM	343	9	QDB20	1	
LX16MM	343	9	QDB20	1	
LX18MM	343	9	QDB20	1	
LX19MM	343	9	QDB20	1	
LX20MM	343	9	QDB20	1	
LX22MM	343	9	QDB20	1	
LX24MM	343	9	QDB20	1	
LX25MM	343	9	QDB20	1	
LX28MM	343	9	QDB20	1	
LX3/4	340, 345	9	QDB20	1	
LX3/8	340, 345	9	QDB20	1	
LX30MM	343	9	QDB20	1	
LX32MM	343	9	QDB20	1	
LX35MM	343	9	QDB20	1	
LX38MM	343	9	QDB20	1	
LX5/8	340, 345	9	QDB20	1	
LX7/16	340, 345	9	QDB20	1	
LX7/8	340, 345	9	QDB20	1	
LX9/16	340, 345	9	QDB20	1	
M1004T	136	760	L1	33	352M
M1005T	136	790	L1	38	3524M
M1006T	136	912	L1	41	3528M
M1007T	136	980	L1	56	3623M
M1008T	136	1180	L1	71	3634M
M1009T	136	1685	L1	113	3735M
M1010T	136	1910	L1	133	3744M
M1019	136	816	K	36	3524M
M1020T	136	879	L1	41	3528M
M1021T	136	1065	L1	55	3623M
M1022T	136	1215	L1	64	3628M
M1023T	136	1415	L1	72	3634M
M1024T	136	2178	L1	113	3735M
M1204T	136	760	L1	33	352M
M1205T	136	790	L1	37	3524M
M1206T	136	912	L1	41	3528M
M1207T	136	980	L1	56	3623M
M1208T	136	1180	L1	72	3634M
M1209T	136	1685	L1	112	3735M
M1210T	136	1910	L1	132	3744M
M1211T	136	2683	L1	206	3936M
M1212T	136	3288	L1	204	3936M
M1213T	136	3859	L1	300	446M
M1218	136	777	K	33	352M
M1219	136	816	K	36	3524M
M1220T	136	879	L1	41	3528M
M1221T	136	1065	L1	55	3623M
M1222T	136	1215	L1	65	3628M
M1223T	136	1415	L1	72	3634M
M1224T	136	2178	L1	113	3735M
M1225T	136	2896	L1	148	374M
M1226T	136	3271	L1	172	375M
M1227T	136	3969	L1	288	44M
M1228T	136	5323	L1	309	446M
M1504T	134	1132	L1	39	3524M

Catalog Number	Page Number	List Price	Mult Sym.	Ship Weight ⁽¹⁾	Type Code
M1505T	134	1196	L1	47	3535M
M1506T	134	1452	L1	64	3628M
M1507T	134	1644	L1	84	364M
M1508T	134	2148	L1	134	3744M
M1509T	134	2797	L1	185	3754M
M1519	134	882	K	37	3524M
M1520T	134	921	L1	42	3528M
M1521T	134	1138	L1	58	3623M
M1522T	134	1305	L1	66	3628M
M1523T	134	1527	L1	73	3634M
M1524T	134	2392	L1	126	374M
M1554T	134	798	L1	33	352M
M1555T	134	829	L1	41	3528M
M1556T	134	963	L1	41	3528M
M1557T	134	1036	L1	65	3628M
M1558T	134	1318	L1	83	364M
M1704T	134	1132	L1	45	353M
M1705T	134	1196	L1	47	3535M
M1706T	134	1452	L1	65	3628M
M1707T	134	1644	L1	84	364M
M1708T	134	2148	L1	132	3744M
M1709T	134	2797	L1	181	3754M
M1710T	134	4308	L1	263	94M
M1711T	134	4988	L1	267	944M
M1712T	134	6338	L1	378	146M
M1713T	134	7694	L1	397	148M
M1718	135	822	K	29	3515M
M1719	135	909	K	33	3517M
M1720T	135	921	L1	35	3521M
M1721T	135	1138	L1	50	3528M
M1722T	135	1305	L1	58	3536M
M1723T	135	1527	L1	73	3634M
M1724T	135	2392	L1	128	374M
M1725T	135	3092	L1	230	928M
M1726T	135	3559	L1	225	75M
M1727T	135	4223	L1	355	136M
M1728T	135	5726	L1	390	146M
M1729T	135	6032	L1	512	124M
M1754T	134	798	L1	33	3518M
M1755T	134	829	L1	38	3523M
M1756T	134	963	L1	45	3531M
M1757T	134	1036	L1	63	3628M
M1758T	134	1318	L1	84	364M
M1759T	134	1857	L1	136	3744M
M1760T	134	2187	L1	158	3756M
M1761T	134	3023	L1	247	934M
M1762T	134	3574	L1	344	134M
M1763T	134	4147	L1	384	14M
M2237	140	2236	L1	232	928M
M2238	140	2803	L1	245	932M
M2275	140	2626	L1	211	736M
M2276	140	3157	L1	229	756M
M2280T	18	3159	L1	229	762M
M2332	140	4033	L1	310	946M

⁽¹⁾ Shipping weight is approximate.

Catalog Number	Page Number	List Price	Mult Sym.	Ship Weight ⁽¹⁾	Type Code
M2333	140	3859	L1	292	938M
M2333T-58	190	2193	L1	245	76M
M2333T-8	156	1953	L1	236	756M
M2333T-9	45	2110	SD	260	94M
M2334	140	4618	L1	296	938M
M2334T-58	190	2646	L1	305	954M
M2334T-8	156	2357	L1	262	938M
M2334T-9	45	2546	SD	268	942M
M2393	140	2509	L1	171	727M
M2394	140	2602	L1	225	748M
M2395T	19	5624	L1	400	15M
M2401T	19	3483	L1	270	946M
M2402T	19	4044	L1	365	138M
M2504T	27	2503	L1	220	3944M
M2505	141	2088	L1	129	3731M
M2508T	27	3133	L1	232	3946M
M2510	141	2521	L1	177	3728M
M2513T-58	190	1797	L1	187	3756M
M2513T-8	157	1602	L1	155	3748M
M2514T-8	157	2045	L1	194	3928M
M2515T-58	190	2314	L1	235	3944M
M2515T-8	157	2062	L1	197	3762M
M2516T-8	157	2474	L1	189	3932M
M2523	141	3297	L1	223	3934M
M2527	141	3783	L1	240	394M
M2531T-8	157	2499	L1	250	3942M
M2534T-8	157	2619	L1	275	3938M
M25352T-4	28	27121	L1	2269	A44128M
M2535T-8	157	2922	L1	282	3952M
M2538T-8	157	3685	L1	259	3946M
M2539T-8	157	3725	L1	351	452M
M25402T-4	28	31819	L1	2155	A44112M
M25404T-4	28	29082	L1	2413	A4414M
M2542T-8	157	3819	L1	336	444M
M2543T-8	157	4372	L1	383	46M
M25452T-4	28	35038	L1	2132	A44112M
M25454T-4	28	32890	L1	2479	A44144M
M2565T-4	28	15162	L1	1389	A4456M
M2566T-4	28	15095	L1	1633	A4472M
M2568T-4	28	23699	L1	1456	A4464M
M25694T-4	28	23052	L1	1990	A4496M
M2571T-4	28	27121	L1	1565	A4468M
M2572T-4	28	26796	L1	2332	A44128M
M3003	26	292	K	18	341M
M3004	26	472	K	19	3411M
M3006	26	296	K	19	341M
M3007	26	313	K	11	3413M
M3008	26	462	K	11	3414M
M3009	26	313	K	18	341M
M3010	26	393	K	22	3416M
M3011	26	511	K	23	3418M
M3012	26	376	K	20	3413M
M3013	26	437	K	25	342M
M3101	26	472	K	19	3411M

Catalog Number	Page Number	List Price	Mult Sym.	Ship Weight ⁽¹⁾	Type Code
M3104	26	300	LS	20	3413M
M3104-5	168	300	LS	20	3413M
M3105	26	494	K	21	3414M
M3107	26	313	K	19	341M
M3108	26	341	LS	22	3416M
M3108-5	168	341	LS	22	3416M
M3108-57	190	393	K	26	342M
M3108A	26	464	K	22	3416M
M3109	26	543	K	22	3418M
M3111	26	368	K	20	3413M
M3112	26	381	LS	26	342M
M3112-5	168	381	LS	25	342M
M3112-57	190	437	K	26	342M
M3112A	26	507	K	26	342M
M3115	26	426	K	23	3416M
M3116	26	429	LS	28	3424M
M3116-5	168	429	LS	28	3424M
M3116-57	190	494	K	20	3517M
M3116A	26	564	K	28	3424M
M3116T-57	190	497	L1	20	3517M
M3116T-8	157	444	L1	32	3516M
M3120	26	476	K	29	3424M
M3153	26	586	K	31	3428M
M3153T	26	586	L1	33	3428M
M3154	26	496	LS	34	3432M
M3154A	26	563	K	34	352M
M3154T-57	190	528	L1	25	3521M
M3154T-8	157	522	L1	34	3519M
M3155	26	555	K	31	3428M
M3156	26	623	K	36	352M
M3157	26	517	LS	38	3521M
M3157T-57	190	543	L1	32	353M
M3157T-8	157	530	L1	38	3523M
M3158	27	572	K	41	3524M
M3158T-8	157	615	L1	45	3528M
M3159	26	708	K	41	3528M
M3160	26	825	K	38	3522M
M3203	141	713	L1	36	3516M
M3206	141	742	L1	40	3519M
M3208	141	911	L1	42	3522M
M3209	141	799	L1	44	3523M
M3210	141	968	L1	57	3528M
M3211	141	801	L1	55	3536M
M3211T-57	190	621	L1	58	363M
M3211T-8	157	552	L1	57	3536M
M3212T-8	157	637	L1	56	3535M
M3216T	26	1036	L1	60	3623M
M3218T-57	190	687	L1	92	3646M
M3218T-8	157	612	L1	71	363M
M3219T-8	157	873	L1	69	3627M
M3220T	26	1259	L1	68	3631M
M3233	139	1098	L1	51	3614M
M3234	139	1164	L1	51	3617M
M3303T	26	1554	L1	112	3732M

⁽¹⁾ Shipping weight is approximate.

Motor
Accessories

PT
Components

Grinders

Baldor
Mod Express

ABB
Mod Express

ABB ATEX
Mod Express

Product
Index

Catalog Number	Page Number	List Price	Mult Sym.	Ship Weight ⁽¹⁾	Type Code
M3304	141	976	L1	68	3624M
M3306T	27	1791	L1	137	3744M
M3308	141	1023	L1	77	363M
M3310	141	1376	L1	75	3627M
M3311T-58	190	972	L1	105	3735M
M3311T-8	157	866	L1	96	3643M
M3312T-8	157	1095	L1	107	3726M
M3313T-58	190	1189	L1	117	374M
M3313T-8	157	1060	L1	116	3733M
M3314T-8	157	1599	L1	117	3731M
M3324	139	1567	L1	79	3717M
M3325	139	1614	L1	80	3717M
M3326	139	1968	L1	95	372M
M3353	17	376	K	16	3313M
M3355	17	426	K	17	3316M
M3452	17	439	K	17	348M
M3454	17	311	K	19	341M
M3455	17	489	K	18	3411M
M3457	17	316	K	20	341M
M3458	17	379	K	11	3413M
M3460	17	366	K	19	341M
M3461	17	444	K	22	3416M
M3463	17	403	K	21	3413M
M3464	17	480	K	30	342M
M3531	17	484	K	23	3411M
M3532	17	705	K	28	3514M
M3534	17	340	LS	21	3413M
M3534-5	159	340	LS	20	3413M
M3535	17	544	K	22	3414M
M3536	17	768	K	29	3515M
M3537	17	366	K	19	341M
M3537-5	159	366	K	19	341M
M3538	17	389	LS	23	3416M
M3538-5	159	389	LS	22	3416M
M3538-57	190	446	K	26	342M
M3538/35	17	501	K	25	3511M
M3539	17	586	K	24	3418M
M3539-5	159	586	K	23	3418M
M3539-TP	121	625	K	29	3516M
M3541	17	403	K	21	3413M
M3541-5	159	403	K	21	3413M
M3541-57	190	446	K	25	342M
M3542	17	416	LS	25	342M
M3542-5	159	416	LS	26	342M
M3542-57	190	477	K	32	3428M
M3543	17	598	K	32	3428M
M3543-5	159	598	K	33	3428M
M3543T	17	598	L1	33	3428M
M3543T-5	159	598	L1	34	3428M
M3545	18	472	K	23	3416M
M3545-5	159	472	K	23	3416M
M3545-57	190	543	K	27	342M
M3546	18	433	LS	30	3426M
M3546-5	159	433	LS	29	3514M
M3546/35	18	523	K	24	3516M
M3546T-57	190	555	L1	33	3517M
M3546T-8	156	493	L1	33	3516M
M3550	18	515	K	29	3424M
M3550T-57	190	630	L1	37	352M
M3554	18	489	LS	35	352M

Catalog Number	Page Number	List Price	Mult Sym.	Ship Weight ⁽¹⁾	Type Code
M3554T-57	190	565	L1	25	3521M
M3554T-8	156	503	L1	39	3521M
M3555	18	579	K	35	3428M
M3555-5	159	579	K	40	3524M
M3555T-57	190	692	L1	44	3526M
M3556	18	608	K	37	352M
M3556-5	159	608	K	37	352M
M3557	18	698	K	46	3529M
M3558	18	528	LS	40	3523M
M3558-5	159	528	LS	40	3523M
M3558T-57	190	596	L1	46	353M
M3558T-8	156	528	L1	41	3524M
M3558T-9	45	597	SD	41	3524M
M3559	18	673	K	45	3528M
M3559-5	159	673	K	50	3535M
M3560	17	862	K	38	3522M
M3564	139	671	K	30	3511M
M3565	139	705	K	31	3513M
M3566	139	740	K	32	3514M
M3567	139	776	K	38	352M
M3600	140	1082	L1	41	3522M
M3601	140	857	L1	36	3515M
M3602	140	1082	L1	51	3531M
M3603	140	777	L1	38	3516M
M3604	140	991	L1	44	3522M
M3605	140	882	L1	42	352M
M3606	140	792	L1	43	3521M
M3607	140	1059	L1	66	3628M
M3608	140	1015	L1	41	3526M
M3609	140	835	L1	45	3524M
M3610	140	836	L1	54	3532M
M3610T-57	190	882	L1	66	3542M
M3611	140	870	L1	63	3542M
M3611T-57	190	700	L1	71	363M
M3611T-8	156	624	L1	64	3542M
M3611T-9	45	700	SD	66	3629M
M3613T-57	190	1014	L1	76	3632M
M3615T-57	190	808	L1	96	3646M
M3615T-8	156	718	L1	76	3634M
M3615T-9	45	808	SD	83	3638M
M3617T	18	1211	L1	62	3623M
M3618T	18	1434	L1	88	364M
M3701	140	1671	L1	88	372M
M3702	140	1865	L1	100	3724M
M3702T	18	1816	L1	102	3724M
M3703	140	1023	L1	70	3628M
M3704	140	1259	L1	109	3728M
M3705T	18	1985	L1	139	3743M
M3706	140	1424	L1	75	3626M
M3707	140	1290	L1	83	3634M
M3709	140	1436	L1	90	364M
M3709T-58	190	1493	L1	113	3727M
M3710T-58	190	1027	L1	130	3738M
M3710T-8	156	917	L1	116	3731M
M3710T-9	45	1027	SD	120	3734M
M3711T-58	190	1563	L1	160	3748M
M3712	140	1197	L1	80	3633M
M3714T-58	190	1249	L1	158	375M
M3714T-8	156	1113	L1	131	374M
M3714T-9	45	1195	SD	136	3741M

⁽¹⁾ Shipping weight is approximate.

Catalog Number	Page Number	List Price	Mult Sym.	Ship Weight ⁽¹⁾	Type Code
M4103	140	5738	L1	408	14M
M4103T-58	190	3725	L1	397	148M
M4103T-8	156	2915	L1	333	956M
M4103T-9	45	3158	SD	415	156M
M4104	140	6806	L1	423	144M
M4104T-58	190	4403	L1	417	156M
M4104T-8	156	3443	L1	357	964M
M4104T-9	45	3730	SD	423	158M
M4106	140	3759	L1	309	94M
M4107	140	5860	L1	401	134M
M4110T-58	190	5759	L1	554	125M
M4110T-8	156	4568	L1	480	164M
M4110T-9	45	4948	SD	632	1268M
M4112T	19	6395	L1	537	125M
M4115T-58	190	6252	L1	614	1264M
M4115T-8	156	4729	L1	530	18M
M4115T-9	45	5122	SD	633	1268M
M4116T	19	7899	L1	530	1256M
M4314T-58	190	8129	L1	904	A3662M
M4314T-9	45	9016	SD	876	A365M
M4316T-9	45	9729	SD	911	A3656M
M4338T	19	8784	L1	736	145M
M4348T	19	10895	L1	787	A365M
M4408T-4	20	26362	L1	2477	A44112M
M4408T-4E	20	26362	L1	2240	A4411M
M4408TR-4	20	26362	L1	2510	A44112M
M4408TS-4	20	26362	L1	2449	A44112M
M44252T-4	20	31880	L1	2569	A44112M
M44256T-4	20	36660	L1	2717	A44128M
M44302T-4	20	48699	L1	2743	A44128M
M44304T-4	20	39242	L1	2863	A4414M
M44304TS-4	20	39242	L1	2838	A4414M
M44306T-4	20	46794	L1	2826	A4414M
M44352T-4	20	56256	L1	2922	A44144M
M44354T-4	20	43600	L1	2995	A44152M
M44354TS-4	20	43600	L1	3130	A44152M
M44402T-4	20	68390	L1	2994	A4416M
M44404T-4	20	57021	L1	3041	A4416M
M4458T	19	13379	L1	1095	A452M
M4468T	19	15451	L1	1106	A452M
M4908T-4	20	26362	L1	2545	A44112M
M4908TR-4	20	26362	L1	2510	A44112M
M4908TS-4	20	26362	L1	4000	A44112M
M49302T-4	20	48699	L1	2798	A44128M
M49354T-4	20	43600	L1	3026	A44152M
M49354TS-4	20	43600	L1	3130	A44152M
M50256LR-2340	55	41964	LG	3683	
M50306LR-2340	55	43298	LG	3683	
M50356LR-2340	55	49383	LG	5060	
M58702S-2340	55	71851	LG	8045	
M6002A	75	575	K	25	341M
M6007A	75	719	K	30	3416M
M7002A	75	691	K	27	3413M
M7003A	75	992	K	34	3513M
M7005A	75	792	K	27	341M
M7006-5	80, 170	719	K	34	3512M
M7006A	75	719	K	29	3416M
M7007A	75	1047	K	39	3516M
M7009A	75	825	K	29	3413M
M7010-5	80, 170	828	K	37	3513M

Catalog Number	Page Number	List Price	Mult Sym.	Ship Weight ⁽¹⁾	Type Code
M7010A	75	828	K	33	342M
M7013	76	869	K	29	3416M
M7013-5	80, 170	869	K	30	3416M
M7014	76	907	K	39	3514M
M7014-5	80, 170	907	K	40	3514M
M7015	76	1307	L1	48	3516M
M7019	76	1656	L1	52	3521M
M7023	76	1696	L1	55	3524M
M7026	76	1450	L1	68	362M
M7027	76	1937	L1	169	3723M
M7030	76	2508	L1	193	3726M
M7031A	75	1112	K	43	3524M
M7031TA	75	1112	L1	47	3524M
M7032	76	1112	K	44	352M
M7034	76	987	K	44	352M
M7037	76	1104	K	48	3523M
M74254T-4	77	35752	L1	2518	A4416M
M8001	48	586	SD	27	3416M
M8002	48	744	SD	30	342M
M8003	48	814	SD	35	3426M
MA100	349	44	LDS04	6	
MA103	349	45	LDS04	6	
MA108	349	48	LDS04	6	
MA110	349	48	LDS04	7	
MA113	349	51	LDS04	7	
MA120	349	57	LDS04	8	
MA123	349	57	LDS04	7	
MA133	349	68	LDS04	9	
MA143	349	75	LDS04	9	
MA15	349	8	LDS04	1	
MA153	349	85	LDS04	9	
MA18	349	8	LDS04	1	
MA183	349	108	LDS04	1	
MA20	349	8	LDS04	1	
MA21	349	9	LDS04	1	
MA22	349	9	LDS04	1	
MA23	349	9	LDS04	1	
MA24	349	9	LDS04	1	
MA25	349	10	LDS04	1	
MA26	349	10	LDS04	1	
MA27	349	10	LDS04	1	
MA28	349	11	LDS04	1	
MA30	349	12	LDS04	1	
MA33	349	12	LDS04	2	
MA35	349	13	LDS04	2	
MA38	349	17	LDS04	2	
MA40	349	19	LDS04	2	
MA43	349	20	LDS04	2	
MA45	349	21	LDS04	2	
MA48	349	21	LDS04	2	
MA50	349	22	LDS04	2	
MA53	349	22	LDS04	3	
MA55	349	24	LDS04	3	
MA58	349	25	LDS04	3	
MA60	349	26	LDS04	3	
MA63	349	26	LDS04	3	
MA65	349	27	LDS04	3	
MA68	349	30	LDS04	3	
MA70	349	31	LDS04	4	
MA73	349	31	LDS04	4	

⁽¹⁾ Shipping weight is approximate.

Motor
Accessories

PT Components

Grinders

Baldor
Mod Express

ABB
Mod Express

ABB ATEX
Mod Express

Product
Index

Motor
Accessories

PT
Components

Grinders

Baldor
Mod Express

ABB
Mod Express

ABB ATEX
Mod Express

Product
Index

Catalog Number	Page Number	List Price	Mult Sym.	Ship Weight ⁽¹⁾	Type Code
MA78	349	35	LDS04	4	
MA80	349	35	LDS04	4	
MA83	349	38	LDS04	4	
MA88	349	41	LDS04	5	
MA90	349	41	LDS04	5	
MA93	349	42	LDS04	5	
MA98	349	44	LDS04	6	
MAL102	353	44	LDS13	5	
MAL107	353	46	LDS13	6	
MAL112	353	48	LDS13	6	
MAL122	353	52	LDS13	6	
MAL132	353	60	LDS13	7	
MAL142	353	68	LDS13	8	
MAL152	353	75	LDS13	11	
MAL182	353	88	LDS13	10	
MAL30	353	19	LDS13	1	
MAL32	353	19	LDS13	1	
MAL34	353	20	LDS13	1	
MAL37	353	21	LDS13	2	
MAL39	353	21	LDS13	2	
MAL42	353	21	LDS13	2	
MAL44	353	22	LDS13	2	
MAL47	353	22	LDS13	2	
MAL49	353	22	LDS13	2	
MAL52	353	22	LDS13	3	
MAL54	353	23	LDS13	3	
MAL57	353	23	LDS13	3	
MAL59	353	24	LDS13	3	
MAL62	353	24	LDS13	3	
MAL64	353	25	LDS13	3	
MAL67	353	27	LDS13	3	
MAL69	353	29	LDS13	3	
MAL72	353	30	LDS13	3	
MAL77	353	33	LDS13	3	
MAL82	353	35	LDS13	4	
MAL87	353	38	LDS13	4	
MAL92	353	41	LDS13	4	
MAL97	353	44	LDS13	5	
MB100	351	49	LDS04	6	
MB103	351	53	LDS04	7	
MB108	351	56	LDS04	7	
MB110	351	56	LDS04	7	
MB113	351	57	LDS04	8	
MB118	351	60	LDS04	8	
MB120	351	58	LDS04	8	
MB128	351	67	LDS04	9	
MB138	351	80	LDS04	10	
MB158	351	104	LDS04	12	
MB188	351	120	LDS04	14	
MB20	351	11	LDS04	1	
MB23	351	12	LDS04	1	
MB24	351	12	LDS04	1	
MB25	351	12	LDS04	1	
MB26	351	13	LDS04	1	
MB28	351	13	LDS04	1	
MB30	351	13	LDS04	1	
MB31	351	14	LDS04	1	
MB33	351	15	LDS04	1	
MB34	351	15	LDS04	1	
MB35	351	18	LDS04	2	

Catalog Number	Page Number	List Price	Mult Sym.	Ship Weight ⁽¹⁾	Type Code
MB38	351	20	LDS04	2	
MB40	351	21	LDS04	2	
MB43	351	21	LDS04	2	
MB45	351	23	LDS04	2	
MB48	351	23	LDS04	3	
MB50	351	23	LDS04	3	
MB53	351	24	LDS04	3	
MB55	351	26	LDS04	3	
MB58	351	26	LDS04	3	
MB60	351	26	LDS04	3	
MB63	351	30	LDS04	3	
MB65	351	31	LDS04	3	
MB68	351	34	LDS04	4	
MB70	351	36	LDS04	4	
MB73	351	37	LDS04	4	
MB75	351	37	LDS04	4	
MB78	351	38	LDS04	4	
MB80	351	40	LDS04	4	
MB83	351	43	LDS04	5	
MB88	351	44	LDS04	5	
MB90	351	45	LDS04	5	
MB93	351	47	LDS04	6	
MB98	351	49	LDS04	6	
MBL102	355	48	LDS13	6	
MBL107	355	52	LDS13	6	
MBL112	355	54	LDS13	7	
MBL117	355	58	LDS13	7	
MBL127	355	63	LDS13	8	
MBL137	355	72	LDS13	12	
MBL147	355	78	LDS13	13	
MBL157	355	84	LDS13	16	
MBL187	355	115	LDS13	15	
MBL31	355	22	LDS13	1	
MBL33	355	23	LDS13	1	
MBL35	355	23	LDS13	2	
MBL37	355	23	LDS13	1	
MBL39	355	23	LDS13	2	
MBL42	355	24	LDS13	2	
MBL44	355	24	LDS13	2	
MBL47	355	25	LDS13	2	
MBL49	355	25	LDS13	3	
MBL52	355	26	LDS13	3	
MBL54	355	26	LDS13	3	
MBL57	355	27	LDS13	3	
MBL59	355	28	LDS13	3	
MBL62	355	30	LDS13	3	
MBL64	355	31	LDS13	3	
MBL67	355	32	LDS13	4	
MBL69	355	34	LDS13	4	
MBL72	355	35	LDS13	3	
MBL74	355	35	LDS13	4	
MBL77	355	36	LDS13	4	
MBL82	355	40	LDS13	5	
MBL87	355	42	LDS13	5	
MBL92	355	46	LDS13	5	
MBL97	355	47	LDS13	6	
MFAL104	357	28	LDS19	3	
MFAL114	357	31	LDS19	3	
MFAL124	357	37	LDS19	4	
MFAL54	357	15	LDS19	1	

⁽¹⁾ Shipping weight is approximate.

Catalog Number	Page Number	List Price	Mult Sym.	Ship Weight ⁽¹⁾	Type Code
MFAL64	357	16	LDS19	2	
MFAL74	357	18	LDS19	2	
MFAL84	357	20	LDS19	2	
MFAL94	357	26	LDS19	3	
MFAM144	357	61	LDS19	5	
MFDT-01	217, 226	600	ES		
MM06124-AP	173	314	M	9	
MM06182-AP	173	321	M	9	
MM06184-AP	173	317	M	10	
MM06252-AP	173	324	M	10	
MM07254-AP	173	257	M	11	
MM07254-PP	173	271	M	22	
MM07372-AP	173	267	M	11	
MM07372-PP	173	281	M	24	
MM07374-AP	173	290	M	11	
MM07374-PP	173	306	M	24	
MM07552-AP	173	298	M	13	
MM07552-PP	173	314	M	24	
MM08112-AP	173	393	M	24	
MM08112-PP	173	414	M	40	
MM08554-AP	173	386	M	19	
MM08554-EX1	182	1033	M	88	
MM08554-EX2	180	1263	M	23	
MM08554-EX3	181	1162	M	23	
MM08554-PP	173	336	M	22	
MM08752-AP	173	359	M	23	
MM08752-PP	173	379	M	35	
MM08754-AP	173	374	M	26	
MM08754-EX1	182	1077	M	23	
MM08754-EX2	180	1314	M	23	
MM08754-EX3	181	1205	M	23	
MM08754-PP	173	394	M	37	
MM09114-AP	173	403	M1	35	
MM09114-EX1	182	1200	M1	58	
MM09114-EX2	180	1474	M1	58	
MM09114-EX3	181	1355	M1	58	
MM09114-PP	173	449	M1	57	
MM09152-AP	173	387	M1	35	
MM09152-PP	173	492	M1	53	
MM09154-AP	173	475	M1	35	
MM09154-EX1	182	1316	M1	97	
MM09154-EX2	180	1604	M1	97	
MM09154-EX3	181	1471	M1	97	
MM09154-PP	173	530	M1	62	
MM09222-AP	173	556	M1	35	
MM09222-PP	173	620	M1	55	
MM10032-AP	173	657	M1	55	
MM10032-PP	173	733	M1	79	
MM10034-AP	173	693	M1	64	
MM10034-EX1	182	1733	M1	84	
MM10034-EX2	180	2110	M1	84	
MM10034-EX3	181	1938	M1	157	
MM10034-PP	173	773	M1	84	
MM10224-AP	173	581	M1	59	
MM10224-EX1	182	1525	M1	79	
MM10224-EX2	180	1883	M1	79	
MM10224-EX3	181	1730	M1	79	
MM10224-PP	173	648	M1	79	
MM11042-AP	174	785	M1	66	
MM11042-PP	174	876	M1	82	

Catalog Number	Page Number	List Price	Mult Sym.	Ship Weight ⁽¹⁾	Type Code
MM11044-AP	174	821	M1	75	
MM11044-EX1	182	1997	M1	97	
MM11044-EX2	180	2253	M1	97	
MM11044-EX3	181	2253	M1	97	
MM11044-PP	174	916	M1	97	
MM13552-AP	174	1024	M1	123	
MM13552-PP	174	1142	M1	150	
MM13554-AP	174	1053	M1	106	
MM13554-EX1	182	2405	M1	155	
MM13554-EX2	180	2972	M1	155	
MM13554-EX3	181	2739	M1	155	
MM13554-PP	174	1175	M1	154	
MM13752-AP	174	1274	M1	123	
MM13752-PP	174	1422	M1	154	
MM13754-AP	174	1328	M1	130	
MM13754-EX1	182	2831	M1	161	
MM13754-EX2	180	3432	M1	161	
MM13754-EX3	181	3165	M1	161	
MM13754-PP	174	1481	M1	161	
MM16112-AP	174	1798	M1	201	
MM16112-PP	174	2018	M1	280	
MM16114-AP	174	1835	M1	218	
MM16114-EX1	182	1980	M1	498	
MM16114-EX2	180	4167	M1	511	
MM16114-EX3	181	3828	M1	498	
MM16114-PP	174	2059	M1	298	
MM16152-AP	174	2337	M1	231	
MM16152-PP	174	2622	M1	311	
MM16154-AP	174	2381	M1	260	
MM16154-EX1	182	2493	M1	549	
MM16154-EX2	180	5038	M1	562	
MM16154-EX3	181	4627	M1	549	
MM16154-PP	174	2672	M1	364	
MM16182-AP	174	2804	M1	271	
MM16182-PP	174	3146	M1	375	
MM18184-AP	174	2706	M1	322	
MM18184-EX1	182	2880	M1	597	
MM18184-EX2	180	6585	M1	611	
MM18184-EX3	181	6077	M1	597	
MM18184-PP	174	3036	M1	452	
MM18222-AP	175	3198	M1	291	
MM18222-PP	175	3588	M1	419	
MM18224-AP	175	3247	M1	359	
MM18224-EX1	182	3388	M1	615	
MM18224-EX2	180	7190	M1	628	
MM18224-EX3	181	6609	M1	615	
MM18224-PP	175	3643	M1	489	
MM20302-AP	175	4010	M1	463	
MM20302-PP	175	4499	M1	624	
MM20304-AP	175	4182	M1	481	
MM20304-EX1	182	4404	M1	672	
MM20304-EX2	180	9172	M1	750	
MM20304-EX3	181	8446	M1	705	
MM20304-PP	175	4692	M1	642	
MM20372-AP	175	5264	M1	496	
MM20372-PP	175	5906	M1	657	
MM22374-AP	175	5068	M1	529	
MM22374-EX1	182	5276	M1	783	
MM22374-EX2	180	11345	M1	820	
MM22374-EX3	181	10474	M1	816	

⁽¹⁾ Shipping weight is approximate.

Motor
Accessories

PT Components

Grinders

Baldor
Mod Express

ABB
Mod Express

ABB ATEX
Mod Express

Product
Index

Motor
Accessories

PT
Components

Grinders

Baldor
Mod Express

ABB
Mod Express

ABB ATEX
Mod Express

Product
Index

Catalog Number	Page Number	List Price	Mult Sym.	Ship Weight ⁽¹⁾	Type Code
MM22374-PP	175	5686	M1	714	
MM22452-AP	175	6396	M1	580	
MM22452-PP	175	7176	M1	580	
MM22454-AP	175	6175	M1	602	
MM22454-EX1	182	6389	M1	860	
MM22454-EX2	180	12676	M1	937	
MM22454-EX3	181	11686	M1	893	
MM22454-PP	175	6928	M1	785	
MM25552-AP	175	7823	M1	670	
MM25552-PP	175	8777	M1	893	
MM25554-AP	175	7503	M1	692	
MM25554-EX1	182	7696	M1	915	
MM25554-PP	175	8418	M1	913	
MM28752-PP	175	11253	M1	1378	
MM28754-EX1	182	11253	M1	1378	
MM28754-PP	175	10914	M1	1378	
MM28902-PP	175	13383	M1	1466	
MM28904-EX1	182	12971	M1	1466	
MM28904-PP	175	12632	M1	1466	
MM3454	187	311	K	20	332M
MM3457	187	290	K	19	332M
MM3458	187	343	K	20	332M
MM3460	187	327	K	20	332M
MM3461	187	405	K	19	332M
MM3463	187	362	K	24	3328M
MM3542	187	434	K	27	342M
MM3545	187	428	K	25	3416M
MM3546	187	451	K	33	3428M
MM3550	187	476	K	30	3424M
MM5100	183	272	K	9	
MM5100-5	184	272	K	9	
MM5150	183	285	K	12	
MM5150-5	184	285	K	12	
MM5200	183	294	K	10	
MM5200-5	184	294	K	10	
MM5250	183	300	K	11	
MM5250-5	184	300	K	11	
MM5300	183	306	K	13	
MM5300-5	184	306	K	13	
MM5350	183	338	K	16	
MM5350-5	184	338	K	16	
MM5400	183	345	K	17	
MM5400-5	184	345	K	17	
MM5450	183	378	K	22	
MM5450-5	184	378	K	22	
MM5500	183	392	K	20	
MM5500-5	184	392	K	20	
MM5550	183	411	K	20	
MM5550-5	184	411	K	20	
MM5600	183	452	K	23	
MM5600-5	184	452	K	23	
MOV505L	276	118	E7	1	
MOV620EL	276	111	E7	0	
MPM3458	133	391	K	20	3413M
MPOW-01	230	125	EF	1	
MST-030-CA	274	1509	E7	0	
MST-037-CA	274, 275	1543	E7	0	
MST-044-CA	274, 275	1577	E7	0	
MST-050-CA	274, 275	1963	E7	0	
MST-050-GD	274	5973	E7	72	

Catalog Number	Page Number	List Price	Mult Sym.	Ship Weight ⁽¹⁾	Type Code
MST-072-CA	274, 275	1992	E7	0	
MST-072-GD	274, 275	6190	E7	73	
MST-085-CA	274, 275	2701	E7	27	
MST-085-GD	274, 275	6807	E7	107	
MST-105-CA	274, 275	2735	E7	27	
MST-105-GD	274, 275	7477	E7	109	
MST-1050-CA	274, 275	20427	E7	137	
MST-142-CA	274, 275	3830	E7	33	
MST-142-GD	274, 275	8187	E7	118	
MST-175-CA	274, 275	3881	E7	44	
MST-175-GD	274, 275	10092	E7	209	
MST-175-GS	275	10329	E7	223	
MST-210-CA	274, 275	4392	E7	49	
MST-210-GD	274, 275	10669	E7	227	
MST-210-GS	275	12327	E7	228	
MST-250-CA	274, 275	4936	E7	49	
MST-250-GD	274, 275	11586	E7	229	
MST-250-GS	275	11740	E7	237	
MST-300-CA	274, 275	5095	E7	53	
MST-300-GD	274, 275	12327	E7	239	
MST-300-GS	275	13058	E7	235	
MST-370-CA	274, 275	6423	E7	84	
MST-370-GD	274, 275	15427	E7	343	
MST-370-GS	275	16992	E7	373	
MST-470-CA	274, 275	7944	E7	93	
MST-470-GD	274, 275	17507	E7	352	
MST-470-GS	275	19875	E7	399	
MST-570-CA	274, 275	9703	E7	97	
MST-570-GS	275	27568	E7	649	
MST-720-CA	274, 275	10928	E7	119	
MST-720-GS	275	30822	E7	681	
MST-840-CA	274, 275	12369	E7	124	
MST-840-GS	275	38587	E7	687	
MSTEK	276	461	E7	2	
MTAC-01	230	125	ES	0	
MUL1-R1	217, 226, 232	75	ES	0	
MUL1-R3	226, 232	65	ES	0	
MUL1-R4	226, 232	100	EF	1	
MVL25	357	12	VPS16	1	
MVL30	357	12	VPS16	1	
MVL34	357	12	VPS16	1	
MVL40	357	15	VPS16	2	
MVL44	357	19	VPS16	2	
MVM06124D-AP	179	357	M	9	
MVM06182D-AP	179	350	M	9	
MVM06184D-AP	179	359	M	10	
MVM06252D-AP	179	355	M	10	
MVM07254D-AP	179	307	M	11	
MVM07372D-AP	179	314	M	11	
MVM07374D-AP	179	340	M	11	
MVM07552D-AP	179	347	M	11	
MVM08112D-AP	179	443	M	24	
MVM08554D-AP	179	438	M	19	
MVM08752D-AP	179	412	M	23	
MVM08754D-AP	179	419	M	20	
MVM09114D-AP	179	455	M1	35	
MVM09152D-AP	179	434	M1	35	
MVM09154D-AP	179	545	M1	35	
MVM09222D-AP	179	610	M1	35	
MVM10032D-AP	179	725	M1	55	

⁽¹⁾ Shipping weight is approximate.

Catalog Number	Page Number	List Price	Mult Sym.	Ship Weight ⁽¹⁾	Type Code
MVM10034D-AP	179	772	M1	64	
MVM10224D-AP	179	646	M1	55	
MVM11042D-AP	179	866	M1	66	
MVM11044D-AP	179	900	M1	75	
MVM13554D-AP	179	1150	M1	106	
MVM13754D-AP	179	1451	M1	130	
MVM16114D-AP	179	1995	M1	234	
MVM16154D-AP	179	2540	M1	273	
MVM18184D-AP	179	2832	M1	337	
MVM18224D-AP	179	3356	M1	375	
MVM20304D-AP	179	4332	M1	503	
MVM22374D-AP	179	5236	M1	547	
MVM22454D-AP	179	6307	M1	619	
MVM25554D-AP	179	7640	M1	772	
MVM3457D	188	446	K	20	332M
MVM3458C	188	472	K	22	332M
MVM3458D	188	538	K	20	332M
MVM3460C	188	503	K	22	332M
MVM3460D	188	514	K	20	332M
MVM3461C	188	531	K	22	332M
MVM3461D	188	541	K	20	332M
MVM3463C	188	523	K	26	3328M
MVM3463D	188	536	K	25	3328M
MVM3542C	188	557	K	26	342M
MVM3542D	188	571	K	27	342M
MVM3545C	188	619	K	26	3416M
MVM3545D	188	629	K	25	3416M
MVM3546C	188	638	K	32	3428M
MVM3546D	188	653	K	33	3428M
MVM3550C	188	645	L1	34	3516M
MVM3550D	188	662	L1	38	3516M
MVM3554C	188	662	L1	45	3521M
MVM3554D	188	673	L1	45	3521M
MVM3555C	188	708	L1	51	3526M
MVM3555D	188	721	L1	50	3526M
MVM3558C	188	679	L1	49	3524M
MVM3558D	188	698	L1	47	3524M
MVM3559C	188	776	L1	56	3532M
MVM3559D	188	794	L1	55	3532M
MVM3611C	188	841	L1	72	3542M
MVM3611D	188	857	L1	79	3542M
MVM3613C	188	966	L1	71	3626M
MVM3613D	188	981	L1	79	3626M
MVM3615C	188	907	L1	74	3634M
MVM3615D	188	925	L1	86	3634M
MVM3709D	188	1308	L1	113	364M
MVM3710D	188	1166	L1	139	3731M
MVM3711D	188	1551	L1	137	3729M
MVM3714D	188	1423	L1	155	374M
MVM5100C	183	281	K	9	
MVM5100C-5	184	281	K	9	
MVM5100D	183	285	K	10	
MVM5100D-5	184	285	K	10	
MVM5150C	183	304	K	12	
MVM5150C-5	184	304	K	12	
MVM5150D	183	308	K	13	
MVM5150D-5	184	308	K	13	
MVM5200C	183	315	K	10	
MVM5200C-5	184	315	K	10	
MVM5200D	183	320	K	11	

Catalog Number	Page Number	List Price	Mult Sym.	Ship Weight ⁽¹⁾	Type Code
MVM5200D-5	184	320	K	11	
MVM5250C	183	324	K	11	
MVM5250C-5	184	324	K	11	
MVM5250D	183	329	K	12	
MVM5250D-5	184	329	K	12	
MVM5300C	183	333	K	13	
MVM5300C-5	184	333	K	13	
MVM5300D	183	345	K	14	
MVM5300D-5	184	345	K	14	
MVM5350C	183	355	K	16	
MVM5350C-5	184	355	K	16	
MVM5350D	183	359	K	17	
MVM5350D-5	184	359	K	17	
MVM5400C	183	359	K	17	
MVM5400C-5	184	359	K	17	
MVM5400D	183	362	K	18	
MVM5400D-5	184	362	K	18	
MVM5450C	183	397	K	22	
MVM5450C-5	184	397	K	22	
MVM5450D	183	404	K	23	
MVM5450D-5	184	404	K	23	
MVM5500C	183	412	K	20	
MVM5500C-5	184	412	K	20	
MVM5500D	183	418	K	21	
MVM5500D-5	184	418	K	21	
MVM5550C	183	432	K	23	
MVM5550C-5	184	432	K	23	
MVM5550D	183	443	K	24	
MVM5550D-5	184	443	K	24	
MVM5600C	183	475	K	23	
MVM5600C-5	184	544	K	23	
MVM5600D	183	475	K	24	
MVM5600D-5	184	475	K	24	
MVS130	360	228	VPS17	9	
MVS150	360	250	VPS17	12	
MVS170	360	272	VPS17	15	
MVS190	360	294	VPS17	23	
MVS210	360	316	VPS17	27	
MVS230	360	338	VPS17	30	
MX 100	420	411	CPL14	1	
MX 110	420	457	CPL14	1	
MX 120	420	529	CPL14	62	
MX 140	420	918	CPL14	1	
MX 160	420	1352	CPL14	210	
MX 200	420	2043	CPL14	1	
MX 50	420	114	CPL14	1	
MX 60	420	151	CPL14	8	
MX 70	420	201	CPL14	1	
MX 80	420	265	CPL14	1	
MX 90	420	335	CPL14	1	
MX100MM	343	320	QDB02	47	
MX110MM	343	320	QDB02	47	
MX115MM	343	320	QDB02	40	
MX120MM	343	320	QDB02	37	
MX125MM	343	320	QDB02	34	
MX130MM	343	395	QDB01	31	
MX2	341	320	QDB01	59	
MX2-1/2	341	320	QDB01	56	
MX2-1/4	341	320	QDB01	58	
MX2-1/8	341	320	QDB01	58	

⁽¹⁾ Shipping weight is approximate.

Motor
Accessories

PT Components

Grinders

Baldor
Mod Express

ABB
Mod Express

ABB ATEX
Mod Express

Product
Index

Motor
Accessories
PT Components
Grinders
Baldor
Mod Express
ABB
Mod Express
ABB ATEX
Mod Express

Catalog Number	Page Number	List Price	Mult Sym.	Ship Weight ⁽¹⁾	Type Code
MX2-11/16	341	320	QDB01	55	
MX2-13/16	341	320	QDB01	54	
MX2-15/16	341	320	QDB01	53	
MX2-3/16	341	320	QDB01	58	
MX2-3/4	341	320	QDB01	54	
MX2-3/8	341	320	QDB01	57	
MX2-5/8	341	320	QDB01	55	
MX2-7/16	341	320	QDB01	57	
MX2-7/8	341	320	QDB01	53	
MX2-9/16	341	1519	QDB01	56	
MX3	341	320	QDB01	52	
MX3-1/2	341	320	QDB01	48	
MX3-1/4	341	320	QDB01	50	
MX3-1/8	341	320	QDB01	51	
MX3-11/16	341	320	QDB01	49	
MX3-13/16	341	320	QDB01	47	
MX3-15/16	341	320	QDB01	46	
MX3-3/16	341	320	QDB01	51	
MX3-3/4	341	320	QDB01	48	
MX3-3/8	341	320	QDB01	49	
MX3-5/16	341	320	QDB01	50	
MX3-5/8	341	320	QDB01	49	
MX3-7/16	341	320	QDB01	48	
MX3-7/8	341	320	QDB01	46	
MX4	341	320	QDB01	45	
MX4-1/2	341	320	QDB01	39	
MX4-1/4	341	320	QDB01	42	
MX4-1/8	341	320	QDB01	44	
MX4-11/16	341	320	QDB01	37	
MX4-13/16	341	320	QDB01	34	
MX4-15/16	341	320	QDB01	42	
MX4-3/16	341	320	QDB01	43	
MX4-3/4	341	320	QDB01	35	
MX4-3/8	341	320	QDB01	41	
MX4-5/16	341	320	QDB01	42	
MX4-5/8	341	320	QDB01	38	
MX4-7/16	341	320	QDB01	40	
MX4-7/8	341	320	QDB01	34	
MX4-9/16	341	320	QDB01	38	
MX5	341	320	QDB01	33	
MX5-1/2	341	320	QDB01	26	
MX5-1/4	341	320	QDB01	29	
MX5-1/8	341	320	QDB01	31	
MX5-3/16	341	320	QDB01	30	
MX5-3/8	341	320	QDB01	27	
MX5-5/16	341	320	QDB01	29	
MX5-7/16	341	320	QDB01	26	
MX70MM	343	320	QDB02	54	
MX75MM	343	320	QDB02	52	
MX80MM	343	320	QDB02	55	
MX85MM	343	320	QDB02	55	
MX90MM	343	320	QDB02	51	
MX95MM	343	320	QDB02	50	
MXF 100	420	155	CPL14	16	
MXF 110	420	171	CPL14	20	
MXF 120	420	200	CPL14	29	
MXF 140	420	354	CPL14	63	
MXF 160	420	550	CPL14	101	
MXF 200	420	790	CPL14	185	
MXF 50	420	37	CPL14	2	

Catalog Number	Page Number	List Price	Mult Sym.	Ship Weight ⁽¹⁾	Type Code
MXF 60	420	52	CPL14	3	
MXF 70	420	68	CPL14	5	
MXF 80	420	89	CPL14	7	
MXF 90	420	121	CPL14	11	
NM3454	17	326	K	20	3413M
NM3454/35	17	524	K	28	3513M
NM3455	17	450	K	19	3411M
NM3534	17	365	K	23	3416M
NM3538	17	423	K	25	342M
NM3538/35	17	511	K	27	3512M
NM3539	17	644	K	40	3524M
NM3542	17	455	K	29	3514M
NM3546	18	497	K	39	3524M
NM3546T	18	523	L1	34	3518M
NM3554T	18	546	L1	42	3526M
NX100MM	343	560	QDB03	72	
NX110MM	343	560	QDB03	67	
NX115MM	343	560	QDB03	62	
NX120MM	343	560	QDB03	61	
NX125MM	343	560	QDB03	58	
NX130MM	343	560	QDB03	58	
NX135MM	343	560	QDB03	63	
NX140MM	343	560	QDB03	45	
NX150MM	343	560	QDB03	35	
NX2-15/16	341	560	QDB03	77	
NX2-3/4	341	586	QDB03	79	
NX2-5/8	341	560	QDB03	62	
NX3	341	560	QDB03	77	
NX3-1/2	341	560	QDB03	71	
NX3-1/4	341	560	QDB03	74	
NX3-11/16	341	560	QDB03	69	
NX3-15/16	342	560	QDB03	66	
NX3-3/4	341	560	QDB03	68	
NX3-3/8	341	560	QDB03	73	
NX3-5/16	341	560	QDB03	73	
NX3-5/8	341	560	QDB03	75	
NX3-7/16	341	560	QDB03	72	
NX3-7/8	341	560	QDB03	67	
NX4	342	560	QDB03	65	
NX4-1/2	342	560	QDB03	58	
NX4-1/4	342	560	QDB03	62	
NX4-1/8	342	560	QDB03	63	
NX4-11/16	342	560	QDB03	55	
NX4-15/16	342	560	QDB03	51	
NX4-3/16	342	560	QDB03	62	
NX4-3/4	342	560	QDB03	54	
NX4-3/8	342	560	QDB03	60	
NX4-5/16	342	560	QDB03	67	
NX4-5/8	342	560	QDB03	56	
NX4-7/16	342	560	QDB03	59	
NX4-7/8	342	560	QDB03	52	
NX4-9/16	342	560	QDB03	63	
NX5	342	560	QDB03	50	
NX5-1/2	342	560	QDB03	45	
NX5-1/4	342	560	QDB03	50	
NX5-1/8	342	560	QDB03	48	
NX5-11/16	342	560	QDB03	48	
NX5-15/16	342	560	QDB03	39	
NX5-3/16	342	560	QDB03	47	
NX5-3/4	342	560	QDB03	44	

⁽¹⁾ Shipping weight is approximate.

Catalog Number	Page Number	List Price	Mult Sym.	Ship Weight ⁽¹⁾	Type Code
NX5-3/8	342	560	QDB03	48	
NX5-5/16	342	560	QDB03	49	
NX5-7/16	342	560	QDB03	47	
NX5-7/8	342	560	QDB03	39	
NX6	342	560	QDB03	39	
NX80MM	343	560	QDB03	82	
NX90MM	343	560	QDB03	75	
NX95MM	343	560	QDB03	75	
OCAT-01	226, 230, 235	40	ES	0	
OF2276T	47	3127	SD	257	932M
OF2332T	47	3482	SD	288	942M
OF3303T	47	1414	SD	92	3722M
OF3305T	47	1876	SD	136	3731M
OF3307T	47	2339	SD	211	393M
OF33100T	47	15621	SD	1620	A4472M
OF3310T	47	2834	SD	231	3938M
OF33125T	47	19802	SD	2370	A44134M
OF3315T	47	3975	SD	299	432M
OF3320T	47	4762	SD	329	44M
OF3325T	47	6119	SD	458	4244M
OF3330T	47	7444	SD	443	4248M
OF3340T	47	9483	SD	572	4268M
OF3350T	47	11088	SD	908	A438M
OF3360T	47	12458	SD	1024	A454M
OF3375T	47	14703	SD	1119	A468M
OF3407T	47	2565	SD	231	932M
OF3410T	47	2997	SD	273	942M
OF3415T	47	4200	SD	340	134M
OF3420T	47	4982	SD	383	144M
OF3425T	47	6510	SD	487	1244M
OF3430T	47	7873	SD	524	1248M
OF3440T	47	10052	SD	714	A3646M
OF3764T	47	2314	SD	164	722M
OF3768T	47	2565	SD	196	75M
OF4100T	47	5553	SD	418	148M
OF4102T	47	6709	SD	469	16M
OF4111T	47	8096	SD	575	125M
OF4117T	47	9817	SD	619	1262M
OF4308T	47	10877	SD	938	A3664M
OF4312T	47	14089	SD	1275	A462M
OF4403T	47	17426	SD	1348	A472M
OF4404T	47	18899	SD	2131	A4488M
OF4409T	47	24566	SD	2074	A44116M
OF4411T	47	31535	SD	2881	A44134M
OF44156T	47	37249	SD	3169	A4416M
OF4904T	47	18899	SD	1850	A4488M
OF4909T	47	24556	SD	2616	A44116M
OF4911T	47	31535	SD	2910	A44134M
OF49156T	47	37249	SD	3176	A4416M
OPCA-01	226, 232, 237	50	ES	1	
OPMP-01	226, 230, 235, 269	138	EF	1	
P100	420	101	CPL15	2	
P10L050-PB	398	15	TPL40	1	
P10XL037-PB	397	9	TPL40	1	
P110	420	115	CPL15	3	
P112-14M-115-J	412	620	HTD41	117	
P112-14M-170-M	413	850	HTD41	171	
P112-14M-40-E	409	365	HTD41	56	
P112-14M-55-F	410	405	HTD41	71	
P112-14M-85-F	411	460	HTD41	94	

Catalog Number	Page Number	List Price	Mult Sym.	Ship Weight ⁽¹⁾	Type Code
P112-8M-30-SK	406	186	HTD41	14	
P112-8M-50-SF	407	234	HTD41	22	
P112-8M-85-F	408	308	HTD41	41	
P11XL037-PB	397	9	TPL40	1	
P120	420	129	CPL15	5	
P120H100-3020	401	412	TPL40	42	
P120H150-3020	402	500	TPL40	47	
P120H200-3535	403	588	TPL40	59	
P120H300-3535	404	705	TPL40	75	
P12L050-PB	398	16	TPL40	1	
P12L075-PB	399	20	TPL40	1	
P12XL037-PB	397	10	TPL40	1	
P13L050-PB	398	17	TPL40	1	
P13L075-PB	399	20	TPL40	1	
P13L100-PB	400	23	TPL40	1	
P140	420	210	CPL15	5	
P144-14M-115-J	412	780	HTD41	162	
P144-14M-170-M	413	1050	HTD41	231	
P144-14M-40-E	409	480	HTD41	79	
P144-14M-55-F	410	520	HTD41	96	
P144-14M-85-F	411	590	HTD41	131	
P144-8M-50-E	407	373	HTD41	51	
P144-8M-85-F	408	430	HTD41	47	
P14H100-1108	401	33	TPL40	1	
P14H150-1108	402	43	TPL40	1	
P14L050-PB	398	19	TPL40	1	
P14L075-PB	399	21	TPL40	1	
P14L100-PB	400	23	TPL40	1	
P14XL037-PB	397	12	TPL40	1	
P15L050-PB	398	19	TPL40	1	
P15L075-PB	399	22	TPL40	1	
P15L100-PB	400	24	TPL40	1	
P15XL037-PB	397	12	TPL40	1	
P160	420	252	CPL15	8	
P168-14M-115-J	412	970	HTD41	154	
P168-14M-115-M	412	970	HTD41	251	
P168-14M-170-M	413	1360	HTD41	233	
P168-14M-55-F	410	670	HTD41	120	
P168-14M-85-F	411	2026	HTD41	144	
P168-14M-85-J	411	780	HTD41	153	
P16H100-1108	401	36	TPL40	1	
P16H150-1108	402	47	TPL40	1	
P16H200-1108	403	60	TPL40	2	
P16H300-1108	404	80	TPL40	2	
P16L050-PB	398	21	TPL40	1	
P16L075-PB	399	23	TPL40	1	
P16L100-PB	400	25	TPL40	1	
P16XL037-PB	397	13	TPL40	1	
P17L050-PB	398	22	TPL40	1	
P17L075-PB	399	24	TPL40	1	
P17L100-PB	400	26	TPL40	1	
P18G2701	107	5611	S1	240	
P18G2702	107	5611	S1	235	
P18G2703	107	7021	S1	243	
P18G2704	107	7021	S1	245	
P18G2707	107	5469	S1	235	
P18G2709	107	7412	S1	248	
P18G2739	107	5611	S1	235	
P18G2784	107	5102	S1	169	
P18G2787	107	5226	S1	175	

⁽¹⁾ Shipping weight is approximate.

Motor
Accessories

PT Components

Grinders

Baldor
Mod Express

ABB
Mod Express

ABB ATEX
Mod Express

Product
Index

Catalog Number	Page Number	List Price	Mult Sym.	Ship Weight ⁽¹⁾	Type Code
P18G2791	107	5324	S1	183	
P18G2792	107	5324	S1	182	
P18G2794	107	5382	S1	200	
P18H100-1210	401	38	TPL40	1	
P18H150-1210	402	49	TPL40	1	
P18H200-1210	403	63	TPL40	2	
P18H300-1210	404	89	TPL40	2	
P18L050-1108	398	28	TPL40	1	
P18L075-1108	399	29	TPL40	1	
P18L100-1108	400	32	TPL40	1	
P18XL037-PB	397	14	TPL40	1	
P192-14M-115-M	412	1120	HTD41	251	
P192-14M-170-M	413	1460	HTD41	285	
P192-14M-55-F	410	840	HTD41	136	
P192-14M-85-J	411	940	HTD41	190	
P192-8M-50-E	407	432	HTD41	51	
P192-8M-85-F	408	485	HTD41	69	
P1X1	345	18	STB29	2	
P1X1-1/16	345	18	STB29	1	
P1X1-1/2	345	18	STB29	1	
P1X1-1/4	345	18	STB29	2	
P1X1-1/8	345	18	STB29	2	
P1X1-11/16	345	18	STB29	1	
P1X1-3/16	345	18	STB29	2	
P1X1-3/4	345	18	STB29	1	
P1X1-3/8	345	18	STB29	2	
P1X1-3/8KW3/8	345	18	STB29	1	
P1X1-5/16	345	18	STB29	1	
P1X1-5/8	345	18	STB29	1	
P1X1-7/16	345	18	STB29	2	
P1X1-9/16	345	18	STB29	1	
P1X1/2	345	18	STB29	3	
P1X11/16	345	18	STB29	2	
P1X13/16	345	18	STB29	2	
P1X15/16	345	18	STB29	2	
P1X21/32	345	18	STB29	2	
P1X25/32	345	18	STB29	2	
P1X3/4	345	18	STB29	2	
P1X31/32	345	18	STB29	2	
P1X5/8	345	18	STB29	2	
P1X7/8	345	18	STB29	2	
P1X9/16	345	18	STB29	2	
P200	420	463	CPL15	17	
P20H100-1210	401	41	TPL40	1	
P20H150-1210	402	55	TPL40	2	
P20H200-1210	403	69	TPL40	2	
P20H300-1210	404	108	TPL40	3	
P20L050-1108	398	28	TPL40	1	
P20L075-1108	399	31	TPL40	1	
P20L100-1108	400	34	TPL40	1	
P20XL037-PB	397	15	TPL40	1	
P216-14M-115-M	412	1690	HTD41	319	
P216-14M-170-M	413	2080	HTD41	348	
P216-14M-55-F	410	1356	HTD41	166	
P216-14M-85-J	411	1470	HTD41	243	
P21G2701	107	7567	S1	356	
P21G2702	107	7567	S1	356	
P21G2703	107	9694	S1	376	
P21G2704	107	9694	S1	374	
P21G2705	107	8190	S1	350	

Catalog Number	Page Number	List Price	Mult Sym.	Ship Weight ⁽¹⁾	Type Code
P21G2707	107	10014	S1	391	
P21G2737	107	10684	S1	378	
P21G2747	107	9155	S1	350	
P21G2750	107	5361	S1	335	
P21G2752	107	8104	S1	368	
P21G2754	107	5361	S1	340	
P21G2755	107	6434	S1	351	
P21G2756	107	6434	S1	367	
P21G2757	107	8104	S1	377	
P21G2758	107	11257	S1	407	
P21G2769	107	10014	S1	391	
P21G2770	107	8190	S1	350	
P21L050-1108	398	29	TPL40	1	
P21XL037-PB	397	16	TPL40	0	
P22H100-1610	401	49	TPL40	2	
P22H150-1610	402	61	TPL40	2	
P22H200-1610	403	72	TPL40	3	
P22H300-1610	404	107	TPL40	4	
P22L050-1108	398	30	TPL40	1	
P22L075-1108	399	33	TPL40	1	
P22L100-1108	400	36	TPL40	1	
P22XL037-PB	397	17	TPL40	0	
P24-8M-20-JA	405	53	HTD41	1	
P24-8M-30-JA	406	54	HTD41	1	
P24H100-1610	401	54	TPL40	2	
P24H150-2012	402	66	TPL40	2	
P24H200-2012	403	77	TPL40	2	
P24H300-2012	404	114	TPL40	4	
P24L050-1210	398	31	TPL40	1	
P24L075-1210	399	35	TPL40	1	
P24L100-1210	400	38	TPL40	1	
P24XL037-PB	397	19	TPL40	1	
P25G2702	107	13650	S1	495	
P25G2704	107	14744	S1	445	
P25G2706	107	19961	S1	510	
P25G2707	107	13228	S1	469	
P25G2710	107	14587	S1	474	
P25G2712	107	18927	S1	496	
P25G2747	107	13650	S1	517	
P26-8M-20-JA	405	54	HTD41	1	
P26-8M-30-JA	406	56	HTD41	1	
P26H100-2012	401	62	TPL40	2	
P26H150-2012	402	73	TPL40	3	
P26H200-2012	403	83	TPL40	3	
P26H300-2012	404	121	TPL40	5	
P26L050-1210	398	33	TPL40	1	
P26L075-1210	399	37	TPL40	1	
P26L100-1210	400	40	TPL40	1	
P28-14M-115-SK	412	160	HTD41	12	
P28-14M-40-SK	409	85	HTD41	5	
P28-14M-55-SK	410	100	HTD41	7	
P28-14M-85-SK	411	130	HTD41	7	
P28-8M-20-L	405	55	HTD41	1	
P28-8M-30-L	406	59	HTD41	1	
P28-8M-50-JA	407	80	HTD41	2	
P28H100-2012	401	66	TPL40	3	
P28H150-2012	402	78	TPL40	4	
P28H200-2012	403	89	TPL40	4	
P28H300-2012	404	127	TPL40	5	
P28L050-1210	398	35	TPL40	1	

⁽¹⁾ Shipping weight is approximate.

Catalog Number	Page Number	List Price	Mult Sym.	Ship Weight ⁽¹⁾	Type Code	Catalog Number	Page Number	List Price	Mult Sym.	Ship Weight ⁽¹⁾	Type Code
P28L075-1610	399	40	TPL40	1		P32XL037-1108	397	28	TPL40	0	
P28L100-1610	400	43	TPL40	1		P32XL037-PB	397	23	TPL40	1	
P28XL037-PB	397	21	TPL40	0		P34-14M-115-SK	412	183	HTD41	17	
P29-14M-115-SK	412	165	HTD41	14		P34-14M-40-SK	409	105	HTD41	9	
P29-14M-40-SK	409	90	HTD41	6		P34-14M-55-SK	410	120	HTD41	11	
P29-14M-55-SK	410	105	HTD41	8		P34-14M-85-SK	411	150	HTD41	14	
P29-14M-85-SK	411	131	HTD41	8		P34-8M-20-SH	405	60	HTD41	1	
P2X1	345	20	STB29	2		P34-8M-30-SH	406	63	HTD41	2	
P2X1-1/16	345	20	STB29	2		P34-8M-50-SH	407	84	HTD41	2	
P2X1-1/2	345	20	STB29	2		P34-8M-85-SH	408	95	HTD41	3	
P2X1-1/4	345	20	STB29	2		P36-14M-115-SF	412	190	HTD41	17	
P2X1-1/8	345	20	STB29	2		P36-14M-170-SF	413	270	HTD41	22	
P2X1-11/16	345	20	STB29	1		P36-14M-40-SF	409	115	HTD41	9	
P2X1-3/16	345	20	STB29	2		P36-14M-55-SF	410	125	HTD41	10	
P2X1-3/4	345	20	STB29	1		P36-14M-85-SF	411	154	HTD41	13	
P2X1-3/8	345	20	STB29	2		P36-8M-20-SH	405	62	HTD41	2	
P2X1-3/8KW3/8	345	20	STB29	1		P36-8M-30-SH	406	68	HTD41	2	
P2X1-5/16	345	20	STB29	2		P36-8M-50-SH	407	85	HTD41	3	
P2X1-5/8	345	20	STB29	1		P36-8M-85-SH	408	100	HTD41	4	
P2X1-7/16	345	20	STB29	2		P36G2700	107	39606	S1	1374	
P2X1-9/16	345	20	STB29	1		P36G2701	107	41185	S1	1340	
P2X13/16	345	20	STB29	2		P36G2702	107	50906	S1	1500	
P2X15/16	345	20	STB29	2		P36XL037-1108	397	28	TPL40	1	
P2X3/4	345	20	STB29	3		P36XL037-PB	397	23	TPL40	1	
P2X7/8	345	20	STB29	3		P38-14M-115-SF	412	200	HTD41	20	
P30-14M-115-SK	412	169	HTD41	9		P38-14M-170-SF	413	280	HTD41	26	
P30-14M-40-SK	409	93	HTD41	6		P38-14M-40-SF	409	130	HTD41	10	
P30-14M-55-SK	410	108	HTD41	6		P38-14M-55-SF	410	140	HTD41	12	
P30-14M-85-SK	411	132	HTD41	8		P38-14M-85-SF	411	160	HTD41	16	
P30-8M-20-L	405	57	HTD41	1		P38-8M-20-SH	405	64	HTD41	2	
P30-8M-30-L	406	60	HTD41	2		P38-8M-30-SH	406	70	HTD41	2	
P30-8M-50-JA	407	82	HTD41	2		P38-8M-50-SH	407	86	HTD41	3	
P30H100-2012	401	70	TPL40	4		P38-8M-85-SH	408	102	HTD41	4	
P30H150-2012	402	82	TPL40	4		P40-14M-115-SF	412	208	HTD41	24	
P30H200-2012	403	95	TPL40	5		P40-14M-170-SF	413	290	HTD41	31	
P30H300-2012	404	141	TPL40	6		P40-14M-40-SF	409	130	HTD41	12	
P30L050-1610	398	35	TPL40	1		P40-14M-55-SF	410	143	HTD41	14	
P30L075-1610	399	43	TPL40	2		P40-14M-85-SF	411	168	HTD41	19	
P30L100-1610	400	46	TPL40	2		P40-8M-20-SH	405	68	HTD41	2	
P30XL037-PB	397	22	TPL40	1		P40-8M-30-SH	406	78	HTD41	3	
P32-14M-115-SK	412	172	HTD41	13		P40-8M-50-SH	407	88	HTD41	4	
P32-14M-40-SK	409	102	HTD41	7		P40-8M-85-SD	408	106	HTD41	5	
P32-14M-55-SK	410	114	HTD41	9		P40H100-2517	401	92	TPL40	7	
P32-14M-85-SK	411	138	HTD41	11		P40H150-2517	402	108	TPL40	8	
P32-8M-20-L	405	59	HTD41	1		P40H200-2517	403	142	TPL40	9	
P32-8M-30-L	406	62	HTD41	2		P40H300-2517	404	184	TPL40	11	
P32-8M-50-L	407	83	HTD41	2		P40L050-2012	398	59	TPL40	3	
P32G2700	107	22712	S1	1150		P40L075-2012	399	63	TPL40	3	
P32G2701	107	23360	S1	882		P40L100-2012	400	68	TPL40	4	
P32G2702	107	25332	S1	872		P40XL037-1108	397	30	TPL40	1	
P32G2703	107	38734	S1	956		P40XL037-PB	397	23	TPL40	1	
P32G2706	107	29877	S1	950		P42XL037-1108	397	31	TPL40	1	
P32G2724	107	23360	S1	880		P42XL037-PB	397	24	TPL40	1	
P32H100-2517	401	70	TPL40	4		P44-14M-115-E	412	220	HTD41	25	
P32H150-2517	402	83	TPL40	5		P44-14M-170-E	413	300	HTD41	32	
P32H200-2517	403	98	TPL40	6		P44-14M-40-E	409	155	HTD41	15	
P32H300-2517	404	149	TPL40	7		P44-14M-55-E	410	165	HTD41	17	
P32L050-1610	398	54	TPL40	2		P44-14M-85-E	411	180	HTD41	21	
P32L075-1610	399	45	TPL40	2		P44-8M-20-SDS	405	79	HTD41	3	
P32L100-1610	400	50	TPL40	2		P44-8M-30-SDS	406	86	HTD41	3	

⁽¹⁾ Shipping weight is approximate.

Motor Accessories

PT Components

Grinders

Baldor Mod Express

ABB Mod Express

ABB ATEX Mod Express

Product Index

Motor
Accessories

PT Components

Grinders

Baldor
Mod Express

ABB
Mod Express

ABB ATEX
Mod Express

Product
Index

Catalog Number	Page Number	List Price	Mult Sym.	Ship Weight ⁽¹⁾	Type Code
P44-8M-50-SD	407	94	HTD41	5	
P44-8M-85-SD	408	110	HTD41	6	
P44XL037-1108	397	33	TPL40	1	
P44XL037-PB	397	25	TPL40	1	
P48-14M-115-E	412	236	HTD41	33	
P48-14M-170-E	413	302	HTD41	42	
P48-14M-40-E	409	165	HTD41	19	
P48-14M-55-E	410	170	HTD41	22	
P48-14M-85-E	411	188	HTD41	27	
P48-8M-20-SDS	405	92	HTD41	3	
P48-8M-30-SDS	406	93	HTD41	4	
P48-8M-50-SD	407	98	HTD41	6	
P48-8M-85-SD	408	120	HTD41	8	
P48H100-2517	401	120	TPL40	14	
P48H150-2517	402	139	TPL40	11	
P48H200-3020	403	192	TPL40	16	
P48H300-3020	404	255	TPL40	19	
P48L050-2012	398	69	TPL40	5	
P48L075-2012	399	72	TPL40	5	
P48L100-2012	400	79	TPL40	6	
P48XL037-1108	397	36	TPL40	1	
P48XL037-PB	397	26	TPL40	1	
P50	420	40	CPL15	1	
P52-14M-115-F	412	275	HTD41	42	
P52-14M-170-F	413	320	HTD41	52	
P52-14M-40-E	409	172	HTD41	23	
P52-14M-55-E	410	178	HTD41	26	
P52-14M-85-E	411	220	HTD41	33	
P56-14M-115-F	412	285	HTD41	50	
P56-14M-170-F	413	330	HTD41	61	
P56-14M-40-E	409	175	HTD41	27	
P56-14M-55-E	410	180	HTD41	31	
P56-14M-85-F	411	245	HTD41	43	
P56-8M-20-SDS	405	102	HTD41	4	
P56-8M-30-SDS	406	104	HTD41	5	
P56-8M-50-SK	407	115	HTD41	7	
P56-8M-85-SK	408	140	HTD41	10	
P60	420	47	CPL15	1	
P60-14M-115-F	412	340	HTD41	59	
P60-14M-170-J	413	430	HTD41	74	
P60-14M-40-E	409	227	HTD41	32	
P60-14M-55-E	410	240	HTD41	36	
P60-14M-85-F	411	290	HTD41	51	
P60H100-3020	401	163	TPL40	16	
P60H150-3020	402	153	TPL40	19	
P60H200-3020	403	205	TPL40	20	
P60H300-3020	404	255	TPL40	23	
P60L050-2012	398	76	TPL40	6	
P60L075-2012	399	82	TPL40	6	
P60L100-2012	400	93	TPL40	7	
P60XL037-1210	397	38	TPL40	2	
P60XL037-PB	397	31	TPL40	2	
P64-14M-115-J	412	365	HTD41	71	
P64-14M-170-J	413	460	HTD41	85	
P64-14M-40-E	409	260	HTD41	29	
P64-14M-55-F	410	275	HTD41	42	
P64-14M-85-F	411	300	HTD41	60	
P64-8M-20-SDS	405	125	HTD41	5	
P64-8M-30-SK	406	126	HTD41	8	
P64-8M-50-SK	407	130	HTD41	9	

Catalog Number	Page Number	List Price	Mult Sym.	Ship Weight ⁽¹⁾	Type Code
P64-8M-85-SF	408	163	HTD41	12	
P68-14M-115-J	412	382	HTD41	82	
P68-14M-170-J	413	490	HTD41	97	
P68-14M-40-E	409	265	HTD41	32	
P68-14M-55-F	410	285	HTD41	44	
P68-14M-85-F	411	315	HTD41	69	
P70	420	65	CPL15	1	
P72-14M-115-J	412	390	HTD41	94	
P72-14M-170-J	413	520	HTD41	109	
P72-14M-40-E	409	272	HTD41	35	
P72-14M-55-F	410	290	HTD41	47	
P72-14M-85-F	411	320	HTD41	80	
P72-8M-20-SDS	405	128	HTD41	7	
P72-8M-30-SK	406	138	HTD41	9	
P72-8M-50-SK	407	144	HTD41	11	
P72-8M-85-E	408	177	HTD41	16	
P72H100-3020	401	167	TPL40	23	
P72H150-3020	402	193	TPL40	25	
P72H200-3020	403	258	TPL40	27	
P72H300-3020	404	332	TPL40	31	
P72L050-2012	398	82	TPL40	10	
P72L075-2012	399	89	TPL40	10	
P72L100-2012	400	112	TPL40	11	
P72XL037-1610	397	39	TPL40	3	
P72XL037-PB	397	39	TPL40	3	
P80	420	87	CPL15	2	
P80-14M-115-J	412	450	HTD41	95	
P80-14M-170-J	413	530	HTD41	102	
P80-14M-40-E	409	280	HTD41	41	
P80-14M-55-F	410	338	HTD41	55	
P80-14M-85-F	411	380	HTD41	64	
P80-8M-20-SDS	405	138	HTD41	9	
P80-8M-30-SK	406	142	HTD41	11	
P80-8M-50-SF	407	155	HTD41	19	
P80-8M-85-E	408	194	HTD41	21	
P84H100-3020	401	206	TPL40	30	
P84H150-3020	402	241	TPL40	32	
P84H200-3020	403	293	TPL40	35	
P84H300-3020	404	413	TPL40	37	
P84L050-2517	398	94	TPL40	14	
P84L075-2517	399	110	TPL40	15	
P84L100-2517	400	129	TPL40	15	
P90	420	93	CPL15	2	
P90-14M-115-J	412	500	HTD41	112	
P90-14M-170-J	413	610	HTD41	115	
P90-14M-40-E	409	288	HTD41	41	
P90-14M-55-F	410	345	HTD41	53	
P90-14M-85-F	411	390	HTD41	70	
P90-8M-20-SDS	405	142	HTD41	11	
P90-8M-30-SK	406	146	HTD41	13	
P90-8M-50-SF	407	186	HTD41	17	
P90-8M-85-E	408	245	HTD41	23	
P96H100-3020	401	257	TPL40	29	
P96H150-3020	402	305	TPL40	32	
P96H200-3535	403	353	TPL40	44	
P96H300-3535	404	494	TPL40	52	
PCL1313M	137	598	K	38	352LC
PCL1317M	137	767	K	42	3524LC
PCL1319M	137	767	K	44	3528LC
PCL1322M	137	795	K	48	3532LC

⁽¹⁾ Shipping weight is approximate.

Catalog Number	Page Number	List Price	Mult Sym.	Ship Weight ⁽¹⁾	Type Code
PCL1326M	137	841	K	50	3532LC
PCL1327M	137	861	K	57	3535LC
PCL3513M	137	679	K	38	352LC
PCL3514M	137	885	K	54	3535LC
PCL3515M	137	805	K	43	3524LC
PCL3519M	137	882	K	52	3532LC
PFTG100XP	256	1453	N5	6	
PFTG42100X	256	2857	N5	33	
PFTG4250XC	256	2920	N5	32	
PFTG46100X	256	5021	N5	43	
PFTG4650XC	256	5021	N5	44	
PFTG50XP	256	1453	N5	6	
PL1313M	137	552	K	37	352LC
PL1317M	137	719	K	41	3524LC
PL1319M	137	732	K	43	3528LC
PL1322M	137	767	K	46	3532LC
PL1326M	137	794	K	49	3532LC
PL1327M	137	818	K	56	3535LC
PL3513M	137	634	K	38	352LC
PL3514M	137	842	K	51	3535LC
PL3515M	137	767	K	42	3524LC
PL3519M	137	841	K	50	3532LC
PSC3413A	123	400	K	19	3411C
PSC3416A	123	444	K	21	3414C
PSC3524A	123	487	K	24	3418C
PTG100XP	256	1453	N5	6	
PTG100XPS	256	1509	N5	10	
PTG1024LD	256	1895	N5	1	
PTG4590AC	256	1396	N5	8	
PTG50NC	256	2085	N5	8	
PTG50XP	256	1453	N5	6	
PTG50XPS	256	1509	N5	8	
PTG60XP-M	256	1453	N5	5	
PTG60XP-M	256	1453	N5	5	
PTG60XPS-M	256	1509	N5	11	
PTGWD100XPS	256	1607	N5	10	
PTGWD50XPS	256	1607	N5	10	
PX100MM	343	840	QDB03	120	
PX110MM	343	840	QDB03	119	
PX120MM	343	840	QDB03	120	
PX130MM	343	840	QDB03	107	
PX140MM	343	840	QDB03	101	
PX145MM	343	860	QDB03	96	
PX150MM	343	840	QDB03	90	
PX160MM	343	840	QDB03	90	
PX170MM	343	840	QDB03	75	
PX2-15/16	342	840	QDB03	130	
PX3-1/2	342	840	QDB03	123	
PX3-1/4	342	840	QDB03	120	
PX3-15/16	342	840	QDB03	117	
PX3-3/16	342	840	QDB03	127	
PX3-3/4	342	840	QDB03	120	
PX3-3/8	342	840	QDB03	125	
PX3-5/8	342	840	QDB03	122	
PX3-7/16	342	840	QDB03	124	
PX3-7/8	342	840	QDB03	118	
PX4	342	840	QDB03	116	
PX4-1/2	342	840	QDB03	108	
PX4-1/4	342	840	QDB03	112	
PX4-11/16	342	840	QDB03	105	

Catalog Number	Page Number	List Price	Mult Sym.	Ship Weight ⁽¹⁾	Type Code
PX4-15/16	342	840	QDB03	110	
PX4-3/16	342	374	QDB03	114	
PX4-3/4	342	840	QDB03	104	
PX4-3/8	342	840	QDB03	110	
PX4-5/8	342	840	QDB03	106	
PX4-7/16	342	840	QDB03	109	
PX4-7/8	342	840	QDB03	101	
PX5	342	840	QDB03	106	
PX5-1/2	342	840	QDB03	89	
PX5-1/4	342	840	QDB03	94	
PX5-1/8	342	840	QDB03	97	
PX5-15/16	342	840	QDB03	91	
PX5-3/4	342	840	QDB03	95	
PX5-3/8	342	840	QDB03	92	
PX5-5/16	342	840	QDB03	98	
PX5-7/16	342	840	QDB03	90	
PX5-7/8	342	840	QDB03	81	
PX6	342	840	QDB03	78	
PX6-1/16	342	840	QDB03	76	
PX6-1/2	342	840	QDB03	66	
PX6-1/4	342	840	QDB03	72	
PX6-15/16	342	840	QDB03	68	
PX6-3/4	342	840	QDB03	73	
PX6-7/16	342	840	QDB03	79	
PX6-7/8	342	840	QDB03	58	
PX7	342	840	QDB03	53	
Q1X1	345	35	STB29	5	
Q1X1-1/16	345	35	STB29	4	
Q1X1-1/2	345	35	STB29	4	
Q1X1-1/4	345	35	STB29	4	
Q1X1-1/8	345	35	STB29	4	
Q1X1-11/16	345	35	STB29	4	
Q1X1-13/16	345	35	STB29	3	
Q1X1-15/16	345	35	STB29	3	
Q1X1-3/16	345	35	STB29	4	
Q1X1-3/4	345	35	STB29	4	
Q1X1-3/8	345	35	STB29	4	
Q1X1-3/8KW3/8	345	35	STB29	4	
Q1X1-5/16	345	35	STB29	4	
Q1X1-5/8	345	35	STB29	4	
Q1X1-7/16	345	35	STB29	4	
Q1X1-7/8	345	35	STB29	3	
Q1X1-9/16	345	35	STB29	4	
Q1X13/16	345	35	STB29	5	
Q1X15/16	345	35	STB29	5	
Q1X2	345	35	STB29	3	
Q1X2-1/16	345	35	STB29	3	
Q1X2-1/2	345	35	STB29	2	
Q1X2-1/4	345	35	STB29	2	
Q1X2-1/8	345	35	STB29	3	
Q1X2-11/16	345	35	STB29	2	
Q1X2-3/16	345	35	STB29	3	
Q1X2-3/8	345	35	STB29	2	
Q1X2-5/16	345	35	STB29	2	
Q1X2-5/8	345	35	STB29	2	
Q1X2-7/16	345	35	STB29	2	
Q1X2-9/16	345	35	STB29	2	
Q1X3/4	345	35	STB29	5	
Q1X5/8	345	35	STB29	5	
Q1X7/8	345	35	STB29	5	

⁽¹⁾ Shipping weight is approximate.

Motor Accessories
PT Components
Grinders
Baldor Mod Express
ABB Mod Express
ABB ATEX Mod Express
Product Index

Motor
Accessories

PT
Components

Grinders

Baldor
Mod Express

ABB
Mod Express

ABB ATEX
Mod Express

Product
Index

Catalog Number	Page Number	List Price	Mult Sym.	Ship Weight ⁽¹⁾	Type Code
Q2X1	345	39	STB29	6	
Q2X1-1/16	345	39	STB29	6	
Q2X1-1/2	345	39	STB29	5	
Q2X1-1/4	345	39	STB29	5	
Q2X1-1/8	345	39	STB29	6	
Q2X1-11/16	345	39	STB29	5	
Q2X1-13/16	345	39	STB29	4	
Q2X1-15/16	345	39	STB29	4	
Q2X1-3/16	345	39	STB29	6	
Q2X1-3/4	345	39	STB29	4	
Q2X1-3/8	345	39	STB29	5	
Q2X1-3/8KW3/8	345	39	STB29	5	
Q2X1-5/16	345	39	STB29	5	
Q2X1-5/8	345	39	STB29	5	
Q2X1-7/16	345	39	STB29	5	
Q2X1-7/8	345	39	STB29	4	
Q2X1-9/16	345	39	STB29	5	
Q2X2	345	39	STB29	4	
Q2X2-1/16	345	39	STB29	4	
Q2X2-1/2	345	39	STB29	2	
Q2X2-1/4	345	39	STB29	3	
Q2X2-1/8	345	39	STB29	3	
Q2X2-3/16	345	39	STB29	3	
Q2X2-3/8	345	39	STB29	3	
Q2X2-5/16	345	39	STB29	3	
Q2X2-5/8	345	39	STB29	2	
Q2X2-7/16	345	28	STB29	2	
Q2X2-9/16	345	39	STB29	2	
R1	430	28	A8	0	
R1X1-1/2	345	87	STB29	10	
R1X1-1/4	345	87	STB29	10	
R1X1-1/8	345	87	STB29	10	
R1X1-11/16	345	87	STB29	9	
R1X1-13/16	346	87	STB29	9	
R1X1-15/16	346	87	STB29	9	
R1X1-3/16	345	87	STB29	10	
R1X1-3/4	345	87	STB29	9	
R1X1-3/8	345	87	STB29	10	
R1X1-3/8KW3/8	345	87	STB29	10	
R1X1-5/16	345	87	STB29	10	
R1X1-5/8	345	87	STB29	9	
R1X1-7/16	345	87	STB29	10	
R1X1-7/8	346	87	STB29	9	
R1X1-9/16	345	87	STB29	9	
R1X2	346	87	STB29	8	
R1X2-1/16	346	87	STB29	8	
R1X2-1/2	346	87	STB29	7	
R1X2-1/4	346	87	STB29	8	
R1X2-1/8	346	87	STB29	8	
R1X2-11/16	346	87	STB29	7	
R1X2-13/16	346	87	STB29	6	
R1X2-15/16	346	87	STB29	6	
R1X2-3/16	346	87	STB29	8	
R1X2-3/4	346	87	STB29	6	
R1X2-3/8	346	87	STB29	8	
R1X2-5/16	346	87	STB29	8	
R1X2-5/8	346	87	STB29	9	
R1X2-7/16	346	87	STB29	7	
R1X2-7/8	346	87	STB29	6	
R1X2-9/16	346	87	STB29	7	

Catalog Number	Page Number	List Price	Mult Sym.	Ship Weight ⁽¹⁾	Type Code
R1X3	346	87	STB29	6	
R1X3-1/16	346	87	STB29	5	
R1X3-1/2	346	87	STB29	4	
R1X3-1/4	346	87	STB29	5	
R1X3-1/8	346	87	STB29	5	
R1X3-11/16	346	87	STB29	4	
R1X3-3/16	346	87	STB29	5	
R1X3-3/4	346	87	STB29	3	
R1X3-3/8	346	87	STB29	4	
R1X3-5/8	346	87	STB29	3	
R1X3-7/16	346	87	STB29	4	
R2	430	30	A8	0	
R2X1-1/2	346	98	STB29	15	
R2X1-11/16	346	98	STB29	14	
R2X1-13/16	346	98	STB29	14	
R2X1-15/16	346	98	STB29	13	
R2X1-3/4	346	98	STB29	14	
R2X1-3/8	346	98	STB29	15	
R2X1-3/8KW3/8	346	98	STB29	14	
R2X1-5/8	346	98	STB29	14	
R2X1-7/16	346	98	STB29	15	
R2X1-7/8	346	98	STB29	13	
R2X1-9/16	346	98	STB29	14	
R2X2	346	98	STB29	13	
R2X2-1/16	346	98	STB29	13	
R2X2-1/2	346	98	STB29	11	
R2X2-1/4	346	98	STB29	12	
R2X2-1/8	346	98	STB29	12	
R2X2-11/16	346	98	STB29	10	
R2X2-13/16	346	98	STB29	9	
R2X2-15/16	346	98	STB29	8	
R2X2-3/16	346	98	STB29	12	
R2X2-3/4	346	98	STB29	9	
R2X2-3/8	346	98	STB29	11	
R2X2-5/16	346	98	STB29	11	
R2X2-5/8	346	98	STB29	10	
R2X2-7/16	346	98	STB29	10	
R2X2-7/8	346	98	STB29	9	
R2X2-9/16	346	98	STB29	10	
R2X3	346	98	STB29	8	
R2X3-1/2	346	98	STB29	8	
R2X3-1/4	346	98	STB29	6	
R2X3-1/8	346	98	STB29	7	
R2X3-3/16	346	98	STB29	7	
R2X3-3/8	346	98	STB29	8	
R2X3-5/8	346	98	STB29	8	
R2X3-7/16	346	98	STB29	8	
R5A	430	94	A8	0	
R6	430	50	A8	0	
RBK13B5	327	69	A8	5	
RBK15B5	327	87	A8	5	
RBK18B5	327	108	A8	5	
RBK21B5	327	139	A8	5	
RBK24B5	327	146	A8	5	
RBK24B9	327	276	A8	10	
RBK26B5	327	154	A8	8	
RBK26B9	327	336	A8	11	
RBK30B5	327	174	A8	15	
RBK30B9	327	373	A8	15	
RBK32B5	327	234	A8	8	

⁽¹⁾ Shipping weight is approximate.

Catalog Number	Page Number	List Price	Mult Sym.	Ship Weight ⁽¹⁾	Type Code
RBK32B9	327	461	A8	15	
RL1203A	122	271	K	20	3411L
RL1206A	122	292	K	24	3414L
RL1209A	122	333	K	27	3418L
RL1301A277	122	446	K	23	3414L
RL1304A	122	434	K	26	3418L
RL1304A277	122	464	K	26	3418L
RL1306A	122	399	K	26	342L
RL1307A	122	532	K	34	3428L
RL1307A277	122	639	K	34	3428L
RL1309A	122	459	K	36	352L
RL1310A	122	578	K	34	192L
RL1310A277	122	657	K	42	3528L
RL1313A	122	591	K	36	3524L
RL1319A	122	699	K	42	3528L
RL1319A277	122	715	K	49	3535L
RL1323A	122	395	K	24	3416L
RL1324A	122	428	K	31	3424L
RM3003	122	318	K	19	341M
RM3007	122	321	K	21	3413M
RM3007A	123	321	K	21	3413M
RM3009	122	321	K	19	341M
RM3010	122	404	K	22	3416M
RM3104	122	366	K	22	3413M
RM3108	122	416	K	23	3416M
RM3108A	123	487	K	25	3413M
RM3111	122	422	K	22	3413M
RM3112	122	462	K	27	342M
RM3112A	123	524	K	32	342M
RM3115	122	446	K	23	3416M
RM3116	122	489	K	32	3426M
RM3116A	123	546	K	32	3424M
RM3120	122	543	K	31	3424M
RM3154	122	563	K	35	3432M
RM3154A	123	580	K	34	192M
RM3155	122	630	K	33	3428M
RM3157	122	608	K	37	3521M
RM3157A	123	665	K	40	3524M
S1X1-11/16	346	173	STB29	19	
S1X1-15/16	346	173	STB29	18	
S1X1-3/4	346	173	STB29	19	
S1X1-7/8	346	173	STB29	18	
S1X2	346	173	STB29	18	
S1X2-1/2	346	173	STB29	16	
S1X2-1/4	346	173	STB29	17	
S1X2-1/8	346	173	STB29	17	
S1X2-11/16	346	173	STB29	15	
S1X2-15/16	346	173	STB29	14	
S1X2-3/16	346	173	STB29	17	
S1X2-3/4	346	173	STB29	15	
S1X2-3/8	346	173	STB29	16	
S1X2-5/16	346	173	STB29	17	
S1X2-5/8	346	173	STB29	15	
S1X2-7/16	346	173	STB29	16	
S1X2-7/8	346	173	STB29	14	
S1X2-9/16	346	173	STB29	16	
S1X3	346	173	STB29	13	
S1X3-1/	346	173	STB29	13	
S1X3-1/2	346	173	STB29	10	
S1X3-1/8	346	173	STB29	13	

Catalog Number	Page Number	List Price	Mult Sym.	Ship Weight ⁽¹⁾	Type Code
S1X3-11/16	346	173	STB29	9	
S1X3-15/16	346	173	STB29	8	
S1X3-3/16	346	173	STB29	12	
S1X3-3/4	346	173	STB29	9	
S1X3-3/8	346	173	STB29	11	
S1X3-5/8	346	173	STB29	10	
S1X3-7/16	346	173	STB29	11	
S1X3-7/8	346	173	STB29	8	
S1X4	346	173	STB29	7	
S1X4-1/4	346	173	STB29	5	
S1X4-1/8	346	173	STB29	6	
S1X4-3/16	346	173	STB29	6	
S2X1-15/16	346	217	STB29	25	
S2X1-7/8	346	217	STB29	26	
S2X2	346	217	STB29	25	
S2X2-1/2	346	217	STB29	22	
S2X2-1/4	346	217	STB29	24	
S2X2-1/8	346	217	STB29	24	
S2X2-11/16	346	217	STB29	21	
S2X2-15/16	346	217	STB29	18	
S2X2-3/16	346	217	STB29	24	
S2X2-3/4	346	217	STB29	20	
S2X2-3/8	346	217	STB29	23	
S2X2-5/16	346	217	STB29	23	
S2X2-5/8	346	217	STB29	21	
S2X2-7/16	346	217	STB29	20	
S2X2-7/8	346	217	STB29	19	
S2X2-9/16	346	217	STB29	22	
S2X3	346	217	STB29	18	
S2X3-1/2	346	217	STB29	14	
S2X3-1/4	346	217	STB29	16	
S2X3-1/8	346	217	STB29	17	
S2X3-11/16	346	217	STB29	12	
S2X3-15/16	346	217	STB29	14	
S2X3-3/16	346	217	STB29	17	
S2X3-3/4	346	217	STB29	11	
S2X3-3/8	346	217	STB29	16	
S2X3-5/8	346	217	STB29	12	
S2X3-7/16	346	217	STB29	15	
S2X3-7/8	346	217	STB29	10	
S2X4	346	217	STB29	9	
S2X4-1/8	346	217	STB29	7	
S2X4-3/16	346	217	STB29	6	
S46	425	136	A8	3	
S61	425	136	A8	3	
SDCS-COM-81	270	768	ES	0	
SDCS-COM-82	270	768	ES	0	
SDCS-DSL-4	271	234	ES	0	
SDCS-IOB Card Holder	271	225	ES	0	
SDCS-IOB-21	271	729	ES	0	
SDCS-IOB-21 / IOB-3	271	1480	ES	0	
SDCS-IOB-22	271	729	ES	0	
SDCS-IOB-22 / IOB-3	271	1480	ES	0	
SDCS-IOB-23	271	729	ES	0	
SDCS-IOB-23 / IOB-3	271	1480	ES	0	
SDCS-IOB-3	271	773	ES	0	
SDCS-SUB-4	271	442	ES	0	
SDCS-UCM-1	271	524	ES	0	
SDSX1	340	17	QDB01	2	
SDSX1-1/16	340	17	QDB01	1	

(1) Shipping weight is approximate.

Motor
Accessories

PT Components

Grinders

Baldor
Mod Express

ABB
Mod Express

ABB ATEX
Mod Express

Product
Index

Motor
Accessories

PT
Components

Grinders

Baldor
Mod Express

ABB
Mod Express

ABB ATEX
Mod Express

Product
Index

Catalog Number	Page Number	List Price	Mult Sym.	Ship Weight ⁽¹⁾	Type Code
SDSX1-1/2	340	17	QDB01	1	
SDSX1-1/4	340	17	QDB01	1	
SDSX1-1/8	340	17	QDB01	2	
SDSX1-11/16	340	17	QDB01	1	
SDSX1-13/16	340	17	QDB01	1	
SDSX1-15/16	340	17	QDB01	1	
SDSX1-3/16	340	17	QDB01	1	
SDSX1-3/4	340	17	QDB01	1	
SDSX1-3/8	340	17	QDB01	1	
SDSX1-5/16	340	17	QDB01	1	
SDSX1-5/8	340	17	QDB01	1	
SDSX1-7/16	340	17	QDB01	1	
SDSX1-7/8	340	17	QDB01	1	
SDSX1-9/16	340	17	QDB01	1	
SDSX1/2	340	17	QDB01	2	
SDSX11/16	340	17	QDB01	2	
SDSX13/16	340	17	QDB01	2	
SDSX14MM	343	17	QDB02	2	
SDSX15/16	340	17	QDB01	2	
SDSX15MM	343	17	QDB02	2	
SDSX16MM	343	17	QDB02	2	
SDSX18MM	343	17	QDB02	2	
SDSX19MM	343	17	QDB02	2	
SDSX2	340	17	QDB01	1	
SDSX20MM	343	17	QDB02	2	
SDSX22MM	343	17	QDB02	2	
SDSX24MM	343	17	QDB02	2	
SDSX25MM	343	17	QDB02	2	
SDSX28MM	343	17	QDB02	1	
SDSX3/4	340	17	QDB01	2	
SDSX30MM	343	17	QDB02	1	
SDSX32MM	343	17	QDB02	1	
SDSX35MM	343	17	QDB02	1	
SDSX38MM	343	17	QDB02	1	
SDSX40MM	343	17	QDB02	1	
SDSX42MM	343	17	QDB02	1	
SDSX5/8	340	17	QDB01	2	
SDSX7/8	340	17	QDB01	2	
SDSX9/16	340	17	QDB01	2	
SDX1	340	21	QDB01	2	
SDX1-1/16	340	21	QDB01	2	
SDX1-1/2	340	21	QDB01	1	
SDX1-1/4	340	21	QDB01	2	
SDX1-1/8	340	21	QDB01	2	
SDX1-11/16	340	21	QDB01	1	
SDX1-13/16	340	21	QDB01	1	
SDX1-15/16	340	21	QDB01	1	
SDX1-3/16	340	21	QDB01	2	
SDX1-3/4	340	21	QDB01	1	
SDX1-3/8	340	21	QDB01	2	
SDX1-5/16	340	21	QDB01	2	
SDX1-5/8	340	21	QDB01	1	
SDX1-7/16	340	21	QDB01	2	
SDX1-7/8	340	21	QDB01	1	
SDX1-9/16	340	21	QDB01	1	
SDX1/2	340	21	QDB01	2	
SDX11/16	340	21	QDB01	2	
SDX13/16	340	21	QDB01	2	
SDX14MM	343	21	QDB02	2	
SDX15/16	340	21	QDB01	2	

Catalog Number	Page Number	List Price	Mult Sym.	Ship Weight ⁽¹⁾	Type Code
SDX15MM	343	21	QDB02	2	
SDX16MM	343	21	QDB02	2	
SDX18MM	343	21	QDB02	2	
SDX19MM	343	21	QDB02	2	
SDX2	340	21	QDB01	1	
SDX20MM	343	21	QDB02	2	
SDX22MM	343	21	QDB02	2	
SDX24MM	343	21	QDB02	2	
SDX25MM	343	21	QDB02	2	
SDX28MM	343	21	QDB02	2	
SDX3/4	340	21	QDB01	2	
SDX30MM	343	21	QDB02	2	
SDX32MM	343	21	QDB02	2	
SDX35MM	343	21	QDB02	2	
SDX38MM	343	21	QDB02	1	
SDX40MM	343	21	QDB02	1	
SDX42MM	343	21	QDB02	1	
SDX48MM	343	20	QDB02	1	
SDX5/8	340	21	QDB01	2	
SDX7/8	340	21	QDB01	2	
SDX9/16	340	21	QDB01	2	
SECG-01	231, 236, 271	3995	ES	0	
SEDG-01	231, 236, 271	3995	ES	0	
SFL913B5	327	183	A8	8	
SFL918B5	327	183	A8	9	
SFL918B7	327	183	A8	8	
SFL921B5	327	203	A8	11	
SFL921B7	327	203	A8	11	
SFL924B5	327	203	A8	11	
SFL924B7	327	203	A8	11	
SFL926B5	327	261	A8	14	
SFL926B7	327	261	A8	15	
SFX1	340	33	QDB01	5	
SFX1-1/16	340	33	QDB01	5	
SFX1-1/2	340	33	QDB01	4	
SFX1-1/4	340	33	QDB01	5	
SFX1-1/8	340	33	QDB01	5	
SFX1-11/16	340	33	QDB01	4	
SFX1-13/16	340	33	QDB01	4	
SFX1-15/16	340	33	QDB01	4	
SFX1-3/16	340	33	QDB01	5	
SFX1-3/4	340	33	QDB01	4	
SFX1-3/8	340	33	QDB01	4	
SFX1-5/16	340	33	QDB01	4	
SFX1-5/8	340	33	QDB01	4	
SFX1-7/16	340	33	QDB01	4	
SFX1-7/8	340	33	QDB01	4	
SFX1-9/16	340	33	QDB01	4	
SFX1/2	340	33	QDB01	5	
SFX11/16	340	33	QDB01	5	
SFX13/16	340	33	QDB01	5	
SFX15/16	340	33	QDB01	5	
SFX2	340	33	QDB01	4	
SFX2-1/16	340	33	QDB01	3	
SFX2-1/2	340	33	QDB01	3	
SFX2-1/4	340	33	QDB01	3	
SFX2-1/4KW5/8	340	33	QDB01	4	
SFX2-1/8	340	33	QDB01	3	
SFX2-11/16	340	33	QDB01	2	
SFX2-13/16	340	33	QDB01	2	

⁽¹⁾ Shipping weight is approximate.

Catalog Number	Page Number	List Price	Mult Sym.	Ship Weight ⁽¹⁾	Type Code
SFX2-15/16	340	33	QDB01	2	
SFX2-3/16	340	33	QDB01	3	
SFX2-3/4	340	33	QDB01	2	
SFX2-3/8	340	33	QDB01	3	
SFX2-5/16	340	33	QDB01	3	
SFX2-5/8	340	33	QDB01	3	
SFX2-7/16	340	33	QDB01	3	
SFX2-7/8	340	33	QDB01	2	
SFX2-9/16	340	33	QDB01	3	
SFX20MM	343	33	QDB02	5	
SFX24MM	343	33	QDB02	5	
SFX25MM	343	33	QDB02	5	
SFX28MM	343	33	QDB02	5	
SFX3/4	340	33	QDB01	5	
SFX30MM	343	33	QDB02	5	
SFX32MM	343	33	QDB02	5	
SFX35MM	343	33	QDB02	4	
SFX38MM	343	33	QDB02	4	
SFX40MM	343	33	QDB02	4	
SFX42MM	343	33	QDB02	4	
SFX45MM	343	33	QDB02	4	
SFX48MM	343	33	QDB02	4	
SFX5/8	340	33	QDB01	5	
SFX50MM	343	33	QDB02	4	
SFX55MM	343	33	QDB02	3	
SFX60MM	343	33	QDB02	3	
SFX65MM	343	33	QDB02	3	
SFX7/8	340	33	QDB01	5	
SFX70MM	343	33	QDB02	2	
SFX9/16	340	33	QDB01	5	
SH10HS	296, 309, 335	26	A8	2	
SHX1	340	15	QDB01	1	
SHX1-1/16	340	15	QDB01	1	
SHX1-1/2	340	15	QDB01	1	
SHX1-1/4	340	15	QDB01	1	
SHX1-1/8	340	15	QDB01	1	
SHX1-11/16	340	15	QDB01	1	
SHX1-3/16	340	15	QDB01	1	
SHX1-3/8	340	15	QDB01	1	
SHX1-5/16	340	15	QDB01	1	
SHX1-5/8	340	15	QDB01	1	
SHX1-7/16	340	15	QDB01	1	
SHX1-9/16	340	15	QDB01	1	
SHX1/2	340	15	QDB01	1	
SHX1/2KW	340	15	QDB01	1	
SHX11/16	340	15	QDB01	1	
SHX13/16	340	15	QDB01	1	
SHX14MM	343	15	QDB02	1	
SHX15/16	340	15	QDB01	1	
SHX15MM	343	15	QDB02	1	
SHX16MM	343	15	QDB02	1	
SHX18MM	343	15	QDB02	1	
SHX19MM	343	15	QDB02	1	
SHX20MM	343	15	QDB02	1	
SHX22MM	343	15	QDB02	1	
SHX24MM	343	15	QDB02	1	
SHX25MM	343	15	QDB02	1	
SHX28MM	343	15	QDB02	1	
SHX3/4	340	15	QDB01	1	
SHX30MM	343	15	QDB02	1	

Catalog Number	Page Number	List Price	Mult Sym.	Ship Weight ⁽¹⁾	Type Code
SHX32MM	343	15	QDB02	1	
SHX35MM	343	15	QDB02	1	
SHX38MM	343	15	QDB02	1	
SHX40MM	343	15	QDB02	1	
SHX5/8	340	15	QDB01	1	
SHX7/8	340	15	QDB01	1	
SHX9/16	340	15	QDB01	1	
SKX1	340	27	QDB01	3	
SKX1-1/16	340	27	QDB01	3	
SKX1-1/2	340	27	QDB01	3	
SKX1-1/4	340	27	QDB01	3	
SKX1-1/8	340	27	QDB01	3	
SKX1-11/16	340	27	QDB01	3	
SKX1-13/16	340	27	QDB01	2	
SKX1-15/16	340	27	QDB01	2	
SKX1-3/16	340	27	QDB01	3	
SKX1-3/4	340	27	QDB01	3	
SKX1-3/8	340	27	QDB01	3	
SKX1-5/16	340	27	QDB01	3	
SKX1-5/8	340	27	QDB01	3	
SKX1-7/16	340	27	QDB01	3	
SKX1-7/8	340	27	QDB01	2	
SKX1-9/16	340	27	QDB01	3	
SKX1/2	340	27	QDB01	4	
SKX11/16	340	27	QDB01	4	
SKX13/16	340	27	QDB01	4	
SKX14MM	343	27	QDB02	4	
SKX15/16	340	27	QDB01	4	
SKX15MM	343	27	QDB02	4	
SKX16MM	343	27	QDB02	4	
SKX18MM	343	27	QDB02	4	
SKX19MM	343	27	QDB02	4	
SKX2	340	27	QDB01	2	
SKX2-1/16	340	27	QDB01	2	
SKX2-1/2	340	27	QDB01	2	
SKX2-1/4	340	27	QDB01	2	
SKX2-1/4KW5/8	340	27	QDB01	2	
SKX2-1/8	340	27	QDB01	2	
SKX2-3/16	340	27	QDB01	2	
SKX2-3/8	340	27	QDB01	2	
SKX2-5/16	340	27	QDB01	2	
SKX2-5/8	340	27	QDB01	1	
SKX2-7/16	340	27	QDB01	2	
SKX2-9/16	340	27	QDB01	1	
SKX20MM	343	27	QDB02	3	
SKX22MM	343	27	QDB02	3	
SKX24MM	343	27	QDB02	3	
SKX25MM	343	27	QDB02	3	
SKX28MM	343	27	QDB02	3	
SKX3/4	340	27	QDB01	4	
SKX30MM	343	27	QDB02	3	
SKX32MM	343	27	QDB02	3	
SKX35MM	343	27	QDB02	3	
SKX38MM	343	27	QDB02	3	
SKX40MM	343	27	QDB02	3	
SKX42MM	343	27	QDB02	3	
SKX45MM	343	27	QDB02	3	
SKX48MM	343	27	QDB02	2	
SKX5/8	340	27	QDB01	4	
SKX50MM	343	27	QDB02	2	

⁽¹⁾ Shipping weight is approximate.

Motor Accessories

PT Components

Grinders

Baldor Mod Express

ABB Mod Express

ABB ATEX Mod Express

Product Index

Motor
AccessoriesPT
Components

Grinders

Baldor
Mod ExpressABB
Mod ExpressABB ATEX
Mod ExpressProduct
Index

Catalog Number	Page Number	List Price	Mult Sym.	Ship Weight ⁽¹⁾	Type Code
SKX55MM	343	27	QDB02	2	
SKX60MM	343	27	QDB02	2	
SKX60MMNOKW	343	48	QDB02	2	
SKX7/8	340	27	QDB01	4	
SKX9/16	340	27	QDB01	4	
SREA-01-KIT	226, 231	1250	ES	2	
SSB18H71	326	395	A8	5	
SSB21H71	326	411	A8	10	
SSB26H71	326	454	A8	13	
SSBU100H012	328	166	A8	1	
SSBU100H014	328	166	A8	1	
SSBU100H015	328	166	A8	1	
SSBU104H015	328	105	A8	1	
SSBU104H100	328	105	A8	1	
SSBU107H015	328	199	A8	33	
SSBU107H100	328	199	A8	1	
SSBU107H102	328	199	A8	1	
SSBU107H103	328	199	A8	1	
SSBU107H104	328	199	A8	1	
SSBU107H105	328	199	A8	1	
SSGF0518AG	316	1710	GB	30	
SSGF0518BG	316	1710	GB	30	
SSGF0521BG	316	2001	GB	35	
SSGF0526BG	316	2813	GB	65	
SSGF1018AG	316	1710	GB	30	
SSGF1018BG	316	1710	GB	30	
SSGF1021BG	316	2001	GB	35	
SSGF1026BG	316	2813	GB	56	
SSGF1518AG	316	1710	GB	30	
SSGF1521AG	316	2001	GB	35	
SSGF1526BG	316	2813	GB	65	
SSGF2018AG	316	1710	GB	30	
SSGF2021AG	316	2001	GB	35	
SSGF2026BG	316	2813	GB	65	
SSGF2518AG	316	1710	GB	30	
SSGF2521AG	316	2001	GB	35	
SSGF2526BG	316	2813	GB	56	
SSGF3018AG	316	1710	GB	30	
SSGF3021AG	316	2001	GB	35	
SSGF3026BG	316	2813	GB	56	
SSGF4018AG	316	1710	GB	30	
SSGF4021AG	316	2001	GB	35	
SSGF4026BG	316	2813	GB	56	
SSGF5018AG	316	1710	GB	30	
SSGF5021AG	316	2001	GB	35	
SSGF5026AG	316	2813	GB	60	
SSGF6018AG	316	1710	GB	30	
SSGF6021AG	316	2001	GB	35	
SSGF6026AG	316	2813	GB	56	
SSGHF0518AH	317	1805	GB	30	
SSGHF1018AH	317	1805	GB	30	
SSGHF1021AH	317	2091	GB	38	
SSGHF1032CH	317	4633	GB	92	
SSGHF1518AH	317	1805	GB	30	
SSGHF1521AH	317	2091	GB	38	
SSGHF1532CH	317	4633	GB	92	
SSGHF2018AH	317	1805	GB	30	
SSGHF2021AH	317	2091	GB	38	
SSGHF2026AH	317	3009	GB	60	
SSGHF2032CH	317	4633	GB	92	

Catalog Number	Page Number	List Price	Mult Sym.	Ship Weight ⁽¹⁾	Type Code
SSGHF3018AH	317	1805	GB	30	
SSGHF3021AH	317	2091	GB	38	
SSGHF3026AH	317	3009	GB	60	
SSGHF3032BH	317	4633	GB	92	
SSGHF4018AH	317	1805	GB	30	
SSGHF4021AH	317	2091	GB	38	
SSGHF4026AH	317	3009	GB	60	
SSGHF4026BH	317	3009	GB	60	
SSGHF4032BH	317	4633	GB	92	
SSGHF5018AH	317	1805	GB	30	
SSGHF5021AH	317	2091	GB	38	
SSGHF5026AH	317	3009	GB	57	
SSGHF5032BH	317	4633	GB	92	
SSGHF6018AH	317	1805	GB	30	
SSGHF6021AH	317	2091	GB	38	
SSGHF6026AH	317	3009	GB	60	
SSGHF6032BH	317	4633	GB	65	
SX10	342	3480	QDB03	241	
SX5-1/2	342	3480	QDB03	485	
SX5-15/16	342	3480	QDB03	470	
SX5-3/4	342	3480	QDB03	477	
SX5-7/8	342	3480	QDB03	472	
SX6	342	3480	QDB03	447	
SX6-1/2	342	3480	QDB03	449	
SX6-1/4	342	3480	QDB03	459	
SX6-15/16	342	3480	QDB03	431	
SX6-3/4	342	3480	QDB03	441	
SX6-7/16	342	3480	QDB03	452	
SX7	342	3480	QDB03	426	
SX7-1/2	342	3480	QDB03	405	
SX7-1/4	342	3480	QDB03	400	
SX7-3/4	342	3480	QDB03	392	
SX7-7/8	342	3480	QDB03	380	
SX8	342	3480	QDB03	379	
SX8-1/2	342	3480	QDB03	354	
SX9	342	3480	QDB03	326	
SX9-1/2	342	3480	QDB03	296	
SX9-1/4	342	3480	QDB03	288	
SX9-3/4	342	3480	QDB03	281	
SX9-3/4KW2X1/4	342	3480	QDB03	256	
SX9-3/8	342	3480	QDB03	303	
SX9-7/8	342	3480	QDB03	271	
TA05HK	296, 309, 327, 335	88	GB	2	
TA13HK	327	170	A8	2	
TA18HK	327	188	A8	2	
TA21HK	327	210	A8	6	
TA24HK	327	211	A8	2	
TA26HK	327	215	A8	2	
TA30HK	327	219	A8	2	
TA32HK	327	224	A8	6	
TA38HK	327	234	A8	2	
Terminal Shield (D1-D2)	271	74	ES	5	
Terminal Shield (D3)	271	111	ES	5	
Terminal Shield (D4)	271	137	ES	5	
TK3300	257	444	A8	0	
TK3400	257	358	A8	4	
TK3500	257	377	A8	9	
TK3600	257	1096	A8	5	
TK3600PM	257	1096	A8	3	
TK7500	257	516	A8	17	

⁽¹⁾ Shipping weight is approximate.

Catalog Number	Page Number	List Price	Mult Sym.	Ship Weight ⁽¹⁾	Type Code	Catalog Number	Page Number	List Price	Mult Sym.	Ship Weight ⁽¹⁾	Type Code
TK9100	257	557	A8	23		U1X2-3/8	346	650	STB29	49	
TKP1836ENC	255	867	A8	17		U1X2-5/8	346	650	STB29	47	
TKP1836XP	255	1142	A8	1		U1X2-7/16	346	650	STB29	49	
TKP2136AC	255	65	A8	2		U1X2-7/8	346	650	STB29	45	
TKP2136NC	255	65	A8	3		U1X2-9/16	346	650	STB29	47	
TKP2136XC	255	1689	A8	16		U1X3	346	650	STB29	44	
TKP2136XPT	255	1142	A8	13		U1X3-1/2	346	650	STB29	40	
TKP400AC	255	65	A8	1		U1X3-1/4	346	650	STB29	42	
TKP400ENC	255	867	A8	16		U1X3-1/8	346	650	STB29	43	
TKP400NC	255	65	A8	1		U1X3-11/16	346	650	STB29	38	
TKP400XP	255	1142	A8	2		U1X3-15/16	346	650	STB29	35	
TKP500AC	255	65	A8	1		U1X3-3/16	346	650	STB29	43	
TKP500ENC	255	867	A8	17		U1X3-3/4	346	650	STB29	37	
TKP500NC	255	65	A8	1		U1X3-3/8	346	650	STB29	40	
TKP500XC	255	1689	A8	7		U1X3-5/8	346	650	STB29	38	
TKP500XP	255	1142	A8	3		U1X3-7/16	346	650	STB29	39	
U0X2-1/2	346	379	STB29	38		U1X3-7/8	346	650	STB29	34	
U0X2-11/16	346	379	STB29	37		U1X4	346	650	STB29	34	
U0X2-15/16	346	379	STB29	33		U1X4-1/2	347	650	STB29	28	
U0X2-3/4	346	379	STB29	37		U1X4-1/4	346	650	STB29	31	
U0X2-3/8	346	379	STB29	39		U1X4-1/8	346	650	STB29	33	
U0X2-5/8	346	379	STB29	38		U1X4-11/16	347	650	STB29	25	
U0X2-7/16	346	379	STB29	39		U1X4-15/16	347	650	STB29	22	
U0X2-7/8	346	379	STB29	36		U1X4-3/16	346	650	STB29	32	
U0X2-9/16	346	379	STB29	38		U1X4-3/4	347	650	STB29	25	
U0X3	346	379	STB29	35		U1X4-3/8	347	650	STB29	30	
U0X3-1/2	346	379	STB29	28		U1X4-5/8	347	650	STB29	26	
U0X3-1/4	346	379	STB29	30		U1X4-7/16	347	650	STB29	29	
U0X3-1/8	346	379	STB29	34		U1X4-7/8	347	650	STB29	23	
U0X3-11/16	346	379	STB29	27		U1X5	347	650	STB29	21	
U0X3-15/16	346	379	STB29	23		U1X5-1/2	347	650	STB29	18	
U0X3-3/16	346	379	STB29	34		U1X5-1/4	347	650	STB29	17	
U0X3-3/4	346	379	STB29	26		U1X5-1/8	347	650	STB29	19	
U0X3-3/8	346	379	STB29	29		U1X5-3/16	347	650	STB29	18	
U0X3-5/8	346	379	STB29	27		U1X5-3/8	347	650	STB29	15	
U0X3-7/16	346	379	STB29	28		U1X5-7/16	347	650	STB29	14	
U0X3-7/8	346	379	STB29	25		UCC10150	129	2389	L1	127	374C
U0X4	346	379	STB29	24		UCC5700	129	1150	L1	74	3634C
U0X4-1/2	346	379	STB29	21		UCC7100	129	1264	L1	78	364C
U0X4-1/4	346	379	STB29	22		UCCE130	129	2216	L1	141	3744C
U0X4-1/8	346	379	STB29	23		UCCE345	129	1099	L1	75	3634C
U0X4-11/16	346	379	STB29	18		UCCE570	129	1266	L1	87	364C
U0X4-15/16	346	379	STB29	16		UCCE7510	129	1755	L1	106	3729C
U0X4-3/16	346	379	STB29	23		UCCE759	129	1394	L1	91	3646C
U0X4-3/4	346	379	STB29	18		UCL1015	128	2212	L1	137	3744LC
U0X4-3/8	346	379	STB29	21		UCL153	128	980	L1	52	3532LC
U0X4-5/8	346	379	STB29	19		UCL3145	128	1043	L1	60	354LC
U0X4-7/16	346	379	STB29	21		UCL345	128	1086	L1	72	3634L
U0X4-7/8	346	379	STB29	16		UCL570	128	1283	L1	91	3646L
U0X5	346	379	STB29	19		UCL710	128	1376	L1	89	3646LC
U0X5-1/2	346	379	STB29	10		UCL7510	128	1742	L1	107	3729L
U0X5-1/4	346	379	STB29	13		UCLE1015	128	2252	L1	167	375LC
U0X5-1/8	346	379	STB29	14		UCLE153	128	1078	L1	52	3532LC
U0X5-3/16	346	379	STB29	13		UCLE3145	128	1104	L1	61	354LC
U0X5-3/8	346	379	STB29	11		UCLE570	128	1344	L1	93	3646LC
U0X5-7/16	346	379	STB29	11		UCLE7510	128	1453	L1	95	3646LC
U1X2-1/2	346	650	STB29	48		UCM1014	128	1459	L1	102	3726M
U1X2-11/16	346	650	STB29	47		UCM153	128	664	L1	43	3524M
U1X2-15/16	346	650	STB29	45		UCM3145	128	743	L1	46	3528M
U1X2-3/4	346	650	STB29	46		UCM345	128	773	L1	55	3532M

⁽¹⁾ Shipping weight is approximate.

Motor
Accessories

PT Components

Grinders

Baldor
Mod Express

ABB
Mod Express

ABB ATEX
Mod Express

Product
Index

Motor
Accessories

PT
Components

Grinders

Baldor
Mod Express

ABB
Mod Express

ABB ATEX
Mod Express

Product
Index

Catalog Number	Page Number	List Price	Mult Sym.	Ship Weight ⁽¹⁾	Type Code
UCM575	128	949	L1	66	3628M
UCM713	128	1135	L1	89	3646M
UCME1014	128	1507	L1	124	3733M
UCME153	128	758	L1	39	3524M
UCME3145	128	801	L1	46	3528M
UCME345	128	856	L1	67	3628M
UCME570	128	1006	L1	69	3628M
UCME7510	128	1180	L1	85	364M
UCME759	128	1180	L1	84	364M
VAOM3527	119	798	K	57	3546M
VAOM3560	119	673	K	50	3528M
VBL3507	152	1338	K	40	3428LC
VBL3510	152	1418	K	49	3522LC
VBL3510T	152	1418	L1	49	3522LC
VBL3518-D	146	1209	K	43	352L
VBL3519-D	146	1343	K	60	3524L
VBL3597-D	146	1277	K	50	352L
VBM3108	153	929	K	28	3416M
VBM3112	153	1086	K	31	342M
VBM3116	153	1175	K	33	3424M
VBM3116T	153	1269	L1	41	3516M
VBM3154	153	1366	K	44	3519M
VBM3154T	153	1475	L1	41	3519M
VBM3157T	153	1662	L1	48	3523M
VBM3211T	153	2105	L1	81	3624M
VBM3218T	153	2612	L1	84	363M
VBM3248T	153	2197	L1	83	363M
VBM3538	152	986	K	30	342M
VBM3538-5D	147	1205	K	48	3512M
VBM3538-5S	149	1144	K	42	3511M
VBM3538-D	147	1205	K	46	3511M
VBM3538-S	149	1144	K	41	3511M
VBM3542	152	1155	K	35	3428M
VBM3542-5	152	1155	K	40	3516M
VBM3542-D	147	1251	K	52	3514M
VBM3542-S	149	1190	K	47	3514M
VBM3546	152	1330	K	38	3426M
VBM3546-5S	149	1245	K	35	3516M
VBM3546-D	147	1308	K	55	3516M
VBM3546-S	149	1245	K	47	3516M
VBM3546T	152	1330	L1	38	3426M
VBM3546T-5	152	1330	L1	40	3514M
VBM3546T-5D	147	1412	L1	40	3516M
VBM3546T-D	147	1412	L1	49	3516M
VBM3546T-S	149	1245	L1	49	3516M
VBM3554	152	1493	K	48	3521M
VBM3554-D	147	1357	K	58	3521M
VBM3554-S	149	1290	K	55	3521M
VBM3554T	152	1493	L1	49	3521M
VBM3554T-5D	147	1466	L1	54	3521M
VBM3554T-5S	149	1290	L1	55	3521M
VBM3554T-D	147	1466	L1	54	3521M
VBM3554T-S	149	1290	L1	52	3521M
VBM3558	152	1530	K	50	3523M
VBM3558-D	148	1387	K	63	3524M
VBM3558-S	149	1321	K	57	3524M
VBM3558T	152	1530	L1	50	3523M
VBM3558T-5D	148	1499	L1	57	3524M
VBM3558T-5S	149	1321	L1	58	3524M
VBM3558T-D	148	1499	L1	56	3524M

Catalog Number	Page Number	List Price	Mult Sym.	Ship Weight ⁽¹⁾	Type Code
VBM3558T-S	149	1321	L1	57	3524M
VBM3611T	152	2139	L1	67	3622M
VBM3611T-5D	148	2076	L1	79	3542M
VBM3611T-D	148	2076	L1	80	3542M
VBM3611T-S	149	1825	L1	79	3542M
VBM3615T	152	2643	L1	89	3634M
VBM3615T-5D	148	2567	L1	81	3634M
VBM3615T-D	148	2567	L1	105	3634M
VBM3615T-S	149	2257	L1	96	3634M
VBM3710T	152	3386	L1	128	3728M
VBM3710T-D	148	3348	L1	162	3731M
VBM3714T	152	4296	L1	154	374M
VBM3714T-D	148	4230	L1	157	374M
VBNM3538-D	147	1233	K	44	3512M
VBNM3542-D	147	1280	K	48	3514M
VBNM3546-D	147	1338	K	55	3524M
VBNM3546T-D	147	1442	L1	57	3524M
VBNM3554-D	147	1385	K	64	3533M
VBNM3554T-D	147	1494	L1	65	3533M
VEBM3542-D	147	1373	K	50	3517M
VEBM3546	150	1586	K	45	3519M
VEBM3546-D	147	1429	K	54	3519M
VEBM3546T	150	1597	L1	45	3519M
VEBM3546T-5D	147	1534	L1	52	3519M
VEBM3546T-D	147	1534	L1	51	3519M
VEBM3554	150	1783	K	53	3526M
VEBM3554-D	147	1488	K	58	3526M
VEBM3554T	150	1795	L1	52	3526M
VEBM3554T-5D	147	1597	L1	55	3526M
VEBM3554T-D	147	1597	L1	58	3526M
VEBM3558	150	1832	K	56	3528M
VEBM3558T	150	1832	L1	57	3528M
VEBM3558T-5D	148	1631	L1	62	3528M
VEBM3558T-D	148	1631	L1	62	3528M
VEBM3611T	150	2400	L1	82	3631M
VEBM3611T-5D	148	2153	L1	101	3628M
VEBM3611T-D	148	2153	L1	101	3631M
VEBM3615T	150	2890	L1	99	3642M
VEBM3615T-5D	148	2596	L1	117	364M
VEBM3615T-D	148	2596	L1	117	3642M
VEBM3710T	150	3946	L1	172	3736M
VEBM3710T-D	148	3534	L1	127	3736M
VEBM3714T	150	4838	L1	165	3752M
VEBNM3538	150	1392	K	37	3516M
VEBNM3542	150	1565	K	53	3517M
VECP2276T	38	3392	SD	338	954M
VECP2332T	38	4246	SD	356	96M
VECP2333T	38	3279	SD	314	944M
VECP2333T-4	38	3279	SD	303	944M
VECP2334T	38	3476	SD	338	952M
VECP2334T-4	38	3476	SD	338	952M
VECP3580-4	38	1001	SD	60	516M
VECP3581	38	1094	SD	66	524M
VECP3581-4	38	1094	SD	66	524M
VECP3581T	38	1094	SD	67	524M
VECP3581T-4	38	1094	SD	66	524M
VECP3582T	38	1205	SD	69	526M
VECP3583T-4	38	1129	SD	67	524M
VECP3584T	38	1112	SD	71	53M
VECP3584T-4	38	1112	SD	70	53M

⁽¹⁾ Shipping weight is approximate.

Catalog Number	Page Number	List Price	Mult Sym.	Ship Weight ⁽¹⁾	Type Code
VECP3586T-4	38	1182	SD	74	532M
VECP3587T	38	1158	SD	75	535M
VECP3587T-4	38	1158	SD	75	535M
VECP3660T-4	38	1419	SD	103	628M
VECP3661T	38	1487	SD	109	632M
VECP3661T-4	38	1487	SD	108	632M
VECP3663T-4	38	1727	SD	111	634M
VECP3664T	38	1451	SD	121	642M
VECP3665T	38	1513	SD	119	641M
VECP3665T-4	38	1513	SD	119	641M
VECP3667T	38	1431	SD	107	63M
VECP3764T	38	2140	SD	165	737M
VECP3768T	38	2165	SD	225	748M
VECP3769T-4	38	2313	SD	173	731M
VECP3770T	38	1966	SD	170	735M
VECP3770T-4	38	1966	SD	170	735M
VECP3771T-4	38	2450	SD	203	742M
VECP3774T	38	2322	SD	231	748M
VECP3774T-4	38	2322	SD	231	748M
VECP4100T	38	5006	SD	503	156M
VECP4102T	38	6534	SD	528	162M
VECP4103T	38	4602	SD	483	146M
VECP4111T	38	6877	SD	636	126M
VECP82333T-4	41	3318	SD	311	944M
VECP82334T-4	41	3517	SD	355	96M
VECP82394T-4	41	3403	SD	293	934M
VECP83583T-4	41	1153	SD	75	524M
VECP83584T-4	41	1199	SD	76	53M
VECP83586T-4	41	1264	SD	83	535M
VECP83587T-4	41	1250	SD	79	535M
VECP83660T-4	41	1536	SD	121	632M
VECP83661T-4	41	1628	SD	117	632M
VECP83663T-4	41	1871	SD	132	643M
VECP83665T-4	41	1637	SD	128	641M
VECP83769T-4	41	2414	SD	179	731M
VECP83770T-4	41	2062	SD	211	737M
VECP83771T-4	41	2563	SD	225	742M
VECP83774T-4	41	2499	SD	231	748M
VECP84106T-4	41	3879	SD	319	942M
VEFWDM3546T	61	1070	WD	36	3519M
VEFWDM3554T	61	1148	WD	43	3526M
VEJMM3116T	102	707	L1	37	3519M
VEJMM3154T	102	758	L1	43	3522M
VEJMM3157T	102	829	L1	46	3525M
VEJMM3211T	102	910	L1	74	363M
VEJMM3218T	102	1030	L1	84	364M
VEJMM3311T	102	1554	L1	125	3733M
VEJMM3313T	102	1682	L1	165	3752M
VEJMM3546T	100	691	L1	38	3519M
VEJMM3554T	100	729	L1	45	3526M
VEJMM3558T	100	873	L1	44	3528M
VEJMM3611T	100	996	L1	74	3631M
VEJMM3615T	100	1149	L1	90	3642M
VEJMM3710T	100	1682	L1	136	3736M
VEJMM3714T	100	1948	L1	165	3752M
VEM2333T-5	162	3134	L1	266	942M
VEM2334T-5	162	3699	L1	296	952M
VEM3538	23	695	LS	31	3513M
VEM3542	23	738	LS	35	3517M
VEM3545	23	663	K	32	3516M

Catalog Number	Page Number	List Price	Mult Sym.	Ship Weight ⁽¹⁾	Type Code
VEM3546	23	760	LS	36	3519M
VEM3546-5	162	760	LS	35	3519M
VEM3546T	23	775	LS	36	3519M
VEM3546T-5	162	775	LS	36	3519M
VEM3550	23	699	K	35	352M
VEM3550T-5	162	757	L1	35	352M
VEM3554	23	845	LS	42	3526M
VEM3554T	23	809	LS	41	3526M
VEM3554T-5	162	809	LS	41	3526M
VEM3555	24	767	K	43	3526M
VEM3556	23	861	K	43	3526M
VEM3558	24	891	LS	46	3528M
VEM3558T	24	832	LS	47	3528M
VEM3558T-5	162	832	LS	46	3528M
VEM3581	23	968	K	52	519M
VEM3581T	23	968	L1	54	519M
VEM3581T-5	162	968	L1	53	519M
VEM3584T	23	970	L1	60	526M
VEM3584T-5	162	970	L1	58	526M
VEM3587T	24	1045	L1	59	527M
VEM3587T-5	162	1045	L1	60	527M
VEM3610T	24	938	L1	50	3532M
VEM3610T-5	162	938	L1	53	3532M
VEM3611T	24	958	LS	73	3631M
VEM3611T-5	162	1030	L1	71	3631M
VEM3613T	24	1035	L1	75	363M
VEM3613T-5	162	1035	L1	74	363M
VEM3615T	24	1051	LS	88	3642M
VEM3615T-5	162	1123	L1	88	3642M
VEM3661T	24	1209	L1	98	632M
VEM3661T-5	162	1209	L1	98	632M
VEM3665T	24	1237	L1	109	641M
VEM3665T-5	162	1237	L1	110	641M
VEM3709T-5	162	1580	L1	101	3646M
VEM3710T	24	1438	L1	129	3736M
VEM3710T-5	162	1438	L1	123	3736M
VEM3711T-5	162	1596	L1	118	3729M
VEM3713T-5	162	2211	L1	169	3752M
VEM3714T	24	1607	L1	165	3752M
VEM3714T-5	162	1607	L1	165	3752M
VEM3770T	24	1680	L1	170	735M
VEM3770T-5	162	1680	L1	170	735M
VEM3774T	24	1864	L1	197	748M
VEM3774T-5	162	1864	L1	231	748M
VEM7014T-5	80, 170	1324	L1	44	3519M
VEM7034T-5	80, 170	1443	L1	50	3526M
VEM7037T-5	80, 170	1529	L1	54	3528M
VEM7042T-5	80, 170	1727	L1	95	3631M
VEM7044T-5	80, 170	2040	L1	110	3642M
VEM7054T-I	85	4609	SD	374	942M
VEM7056T-I	85	5467	SD	393	952M
VEM7058T-I	85	6688	SD	560	15M
VEM7060T-I	85	7767	SD	518	156M
VEM7062T-I	85	10349	SD	720	1254M
VEM7064T-I	85	11776	SD	839	1276M
VEM8003T-5	48	1198	SD	59	519M
VEM8004T-5	48	1243	SD	65	526M
VEM8005T-5	48	1291	SD	60	527M
VENCP83580T-4	41	985	SD	59	52M
VENCP83581T-4	41	1063	SD	63	524M

⁽¹⁾ Shipping weight is approximate.

Motor
Accessories

PT Components

Grinders

Baldor
Mod Express

ABB
Mod Express

ABB ATEX
Mod Express

Product
Index

Motor
Accessories

PT
Components

Grinders

Baldor
Mod Express

ABB
Mod Express

ABB ATEX
Mod Express

Product
Index

Catalog Number	Page Number	List Price	Mult Sym.	Ship Weight ⁽¹⁾	Type Code
VENM3538	23	641	K	32	3516M
VENM3542	23	700	L1	33	3517M
VENM3546T	23	706	L1	40	3524M
VENM3581T	23	1011	L1	56	524M
VESWDM3546	67	1095	WD	39	3524M
VESWDM3554	67	1192	WD	47	3533M
VESWDM3554T	67	1192	WD	49	3533M
VESWDM3558T	67	1361	WD	55	3536M
VEUHM3538	145	607	K	33	3513M
VEUHM3542	145	645	K	35	3517M
VEUHM3546	145	664	K	38	3519M
VEUHM3546-5	145	664	K	38	3519M
VEUHM3546T	145	676	L1	38	3519M
VEUHM3546T-5	145	676	L1	38	3519M
VEUHM3554T	145	706	L1	43	3526M
VEUHM3554T-5	145	706	L1	44	3526M
VEUHM3558T	145	784	L1	48	3528M
VEUHM3558T-5	145	784	L1	48	3528M
VEUHM3611T	145	891	L1	73	3631M
VEUHM3611T-5	145	891	L1	70	3631M
VEUHM3615T	145	980	L1	88	3642M
VEUHM3710T	145	1445	L1	129	3736M
VEWDM3538	61	868	WD	20	3516M
VEWDM3542	61	955	WD	32	3517M
VEWDM3546	61	1034	WD	40	3524M
VEWDM3546T	61	1042	WD	40	3524M
VEWDM3554	61	1110	WD	48	3533M
VEWDM3554T	61	1119	WD	48	3533M
VEWDM3558	61	1181	WD	46	3528M
VEWDM3558T	61	1204	WD	47	3528M
VEWDM3611T	61	1513	WD	73	3631M
VEWDM3615T	61	1715	WD	89	3642M
VEWDM3710T	61	2294	WD	121	3736M
VEWDM3714T	61	2465	WD	165	3752M
VFDL3501M	126	557	K	23	3414L
VFDL3504M	126	638	K	27	3421L
VFDL3507M	126	742	K	44	3432LC
VFDL3510M	126	840	K	40	3524L
VFDL3514M	126	951	K	48	3532LC
VFDL3516TM	126	1236	L1	53	3535LC
VFDL3610TM	126	1674	L1	98	364LC
VFDL3612TM	126	2044	L1	101	3646LC
VFWDM3538	61	678	WD	29	3512M
VFWDM3542	61	733	WD	31	3514M
VHECP2333T	104	4562	SD	316	944M
VHECP2334T	104	5181	SD	337	952M
VHECP2394T	104	4401	SD	296	934M
VHECP3660T	104	2394	SD	120	623M
VHECP3661T	104	2144	SD	129	632M
VHECP3663T	104	3092	SD	99	632M
VHECP3665T	104	2855	SD	141	641M
VHECP3769T	104	3661	SD	173	733M
VHECP3770T	104	3543	SD	170	735M
VHECP3771T	104	3818	SD	203	742M
VHECP3774T	104	3975	SD	231	748M
VHECP4103T	104	5780	SD	518	146M
VHECP4104T	104	6486	SD	563	16M
VHECP4106T	104	4786	SD	325	944M
VHECP4107T	104	5089	SD	337	95M
VHECP4108T	104	5604	SD	361	954M

Catalog Number	Page Number	List Price	Mult Sym.	Ship Weight ⁽¹⁾	Type Code
VHECP4109T	104	7844	SD	600	124M
VHECP4110T	104	7335	SD	650	126M
VHECP4114T	104	9612	SD	668	1256M
VHECP4115T	104	10362	SD	764	1272M
VHECP4310T	104	12280	SD	959	A3656M
VHECP4313T	104	15342	SD	1042	A3668M
VHECP4314T	104	12819	SD	969	A3662M
VHECP4316T	104	15611	SD	1008	A367M
VHM2513T	105	3632	L1	337	938M
VHM2514T	105	3812	L1	310	928M
VHM2515T	105	4125	L1	334	936M
VHM2516T	105	4055	L1	333	934M
VHM2531T	105	4602	L1	442	14M
VHM2534T	105	4461	L1	450	95M
VHM2535T	105	5168	L1	462	146M
VHM2538T	105	6437	L1	486	15M
VHM2539T	105	6020	L1	660	1248M
VHM2542T	105	7888	L1	680	1248M
VHM2543T	105	8504	L1	682	1254M
VHM2546T	105	10078	L1	705	1256M
VHM3210T	105	2083	L1	132	617M
VHM3211T	105	1861	L1	96	623M
VHM3212T	105	2686	L1	99	628M
VHM3218T	105	2480	L1	105	633M
VHM3219T	105	3181	L1	158	64M
VHM3311T	105	3078	L1	169	725M
VHM3312T	105	3320	L1	169	725M
VHM3313T	105	3454	L1	165	733M
VHM3314T	105	3505	L1	179	74M
VJMM2333T	100	2867	L1	236	756M
VJMM2333T-5	169	2867	L1	236	756M
VJMM2334T	100	2964	L1	267	938M
VJMM2334T-5	169	2964	L1	276	944M
VJMM3116T	102	599	L1	37	3516M
VJMM3154T	102	608	L1	41	3521M
VJMM3157T	102	680	L1	42	3523M
VJMM3158T	102	755	L1	50	3528M
VJMM3211T	102	742	L1	62	3536M
VJMM3212T	102	874	L1	60	3535M
VJMM3218T	102	793	L1	73	363M
VJMM3219T	102	1029	L1	74	3627M
VJMM3311T	102	1158	L1	122	3731M
VJMM3312T	102	1291	L1	110	3726M
VJMM3313T	102	1356	L1	119	3733M
VJMM3314T	102	1741	L1	120	3731M
VJMM3546T	100	670	L1	35	3516M
VJMM3546T-5	169	670	L1	38	3516M
VJMM3554T	100	701	L1	40	3521M
VJMM3554T-5	169	701	L1	40	3521M
VJMM3558T	100	733	L1	43	3524M
VJMM3558T-5	169	733	L1	44	3524M
VJMM3611T	100	876	L1	61	3542M
VJMM3611T-5	169	876	L1	72	3542M
VJMM3615T	100	981	L1	78	3634M
VJMM3615T-5	169	981	L1	90	3638M
VJMM3710T	100	1274	L1	115	3731M
VJMM3710T-5	169	1274	L1	115	3731M
VJMM3714T	100	1573	L1	132	374M
VJMM3714T-5	169	1573	L1	136	374M
VL1205A	92	293	K	23	3416L

⁽¹⁾ Shipping weight is approximate.

Catalog Number	Page Number	List Price	Mult Sym.	Ship Weight ⁽¹⁾	Type Code
VL1301	16	350	K	23	3414L
VL1301A	92	352	K	22	3414L
VL1303	16	318	K	23	3413L
VL1303A	92	337	K	26	342L
VL1304	16	385	K	25	3418L
VL1304A	92	420	K	25	3418L
VL1305	16	752	K	39	3524L
VL1306	16	380	K	27	342L
VL1306A	92	401	K	30	3424L
VL1307	16	470	K	33	3428L
VL1307A	92	548	K	34	352L
VL1308	16	843	K	44	3528LC
VL1309	16	400	K	32	3428L
VL1309A	92	423	K	32	3428L
VL1310	16	512	K	35	352L
VL1313	16	553	K	33	3428LC
VL1313A	92	578	K	35	3432LC
VL1317	16	727	K	43	3528L
VL1317A	92	748	K	44	3528L
VL1318	16	556	K	42	3528L
VL1318A	92	581	K	41	3528L
VL1319	16	654	K	43	3528L
VL1321T	16	740	L1	48	3535L
VL1322T	16	754	L1	49	3532LC
VL1323A	92	773	K	51	3535LC
VL1406T	16	916	L1	61	3532LC
VL1408T	16	927	L1	78	3634LC
VL3501	12	372	K	22	3414L
VL3501-50	191	459	K	17	3418L
VL3503	12	376	K	23	3413L
VL3503-50	191	416	K	25	342L
VL3504	12	435	K	27	3421L
VL3504-50	191	532	K	31	3428L
VL3505	12	805	K	43	3528L
VL3506	12	418	K	29	3424L
VL3506-50	191	480	K	35	352L
VL3506A	12	462	K	28	3424L
VL3507	12	498	K	33	3428LC
VL3507-50	191	630	K	39	3524L
VL3508	12	926	K	44	3528LC
VL3509	12	481	K	36	352L
VL3509-50	191	564	K	40	3524L
VL3509A	12	526	K	41	3524L
VL3510	12	571	K	40	3524L
VL3510-50	191	721	K	47	3532L
VL3510T	12	571	L1	44	3524L
VL3513	12	626	K	40	3524L
VL3513-50	191	726	K	48	3532L
VL3513T	12	665	L1	41	3524L
VL3514	12	647	K	48	3532LC
VL3514-50	191	815	K	51	3535LC
VL3514T	12	654	L1	50	3532LC
VL3515	12	801	K	50	3535L
VL3515-50	191	921	K	52	3535LC
VL3515T	12	816	L1	51	3535L
VL3605	142	1309	L1	64	3628L
VL3605T	12	1157	L1	66	3628L
VL3606T	12	1291	L1	73	3634L
VL3609T	12	1366	L1	79	3634LC
VL4005A	78	557	K	34	3416L

Catalog Number	Page Number	List Price	Mult Sym.	Ship Weight ⁽¹⁾	Type Code
VL5000A	78	732	K	29	3414L
VL5001A	78	748	K	34	3414L
VL5002A	78	1002	K	42	352L
VL5003A	78	721	K	28	3416L
VL5004A	78	826	K	37	3424L
VL5005A	78	1149	K	51	3528L
VL5006A	78	771	K	40	3516L
VL5007A	78	920	K	48	3524L
VL5009A	78	826	K	48	3524L
VL5023A	78	1045	K	52	3524L
VL5024A	78	1379	K	76	3546L
VL5027	78	2194	L1	90	3634L
VL5030	78	1189	K	51	3528L
VLCPC2333T	104	4364	SD	236	756M
VLCPC2334T	104	4953	SD	307	938M
VLCPC2394T	104	4208	SD	225	748M
VLCPC3660T	104	2292	SD	83	617M
VLCPC3661T	104	2050	SD	124	628M
VLCPC3663T	104	2958	SD	122	624M
VLCPC3665T	104	2730	SD	131	633M
VLCPC3769T	104	3504	SD	168	723M
VLCPC3770T	104	3388	SD	164	729M
VLCPC3771T	104	3654	SD	171	727M
VLCPC3774T	104	3802	SD	169	733M
VLCPC4103T	104	5527	SD	384	954M
VLCPC4104T	104	6203	SD	523	144M
VLCPC4106T	104	4596	SD	338	94M
VLCPC4107T	104	4868	SD	372	942M
VLCPC4108T	104	5358	SD	383	95M
VLCPC4109T	104	7500	SD	615	124M
VLCPC4110T	104	7015	SD	638	1248M
VM2332T	24	2685	L1	283	946M
VM2333T	24	2515	LS	236	756M
VM2333T-5	162	2515	LS	271	938M
VM2334T	24	2944	LS	240	76M
VM2334T-5	162	2944	LS	271	938M
VM2394T	24	2779	L1	225	748M
VM2513T	30	1944	L1	155	3748M
VM2514T	30	2402	L1	147	3739M
VM2515T	30	2422	L1	197	3766M
VM2516T	30	2838	LS	200	3934M
VM2531T	30	3087	L1	267	3942M
VM2534T	30	3213	L1	252	3938M
VM3104	30	320	LS	21	3413M
VM3107	30	335	K	19	341M
VM3108	30	363	LS	23	3416M
VM3109	30	564	K	25	3418M
VM3111	30	390	K	22	3413M
VM3112	30	401	LS	26	342M
VM3115	30	446	K	24	3416M
VM3116	30	450	LS	29	3424M
VM3116T	30	488	LS	33	3516M
VM3120	30	496	K	30	3424M
VM3120T	30	572	L1	34	3518M
VM3153	30	606	K	32	3428M
VM3153T	30	606	L1	32	3428M
VM3154	30	517	LS	35	3432M
VM3154T	30	569	LS	36	3519M
VM3155	30	577	K	33	3428M
VM3155T	30	631	L1	32	3522M

⁽¹⁾ Shipping weight is approximate.

Motor
Accessories

PT
Components

Grinders

Baldor
Mod Express

ABB
Mod Express

ABB ATEX
Mod Express

Product
Index

Catalog Number	Page Number	List Price	Mult Sym.	Ship Weight ⁽¹⁾	Type Code
VM3156T	30	680	L1	40	3521M
VM3157	30	535	LS	38	3521M
VM3157T	30	586	LS	40	3523M
VM3158	30	592	K	42	3524M
VM3158T	30	671	L1	46	3528M
VM3159T	30	741	L1	59	3539M
VM3161T	30	687	L1	56	3536M
VM3211	141	839	L1	55	3536M
VM3211T	30	644	L1	64	3536M
VM3212T	30	726	L1	74	3538M
VM3215T	30	772	L1	70	3628M
VM3218	141	667	L1	74	363M
VM3218T	30	705	L1	71	363M
VM3219T	30	891	L1	70	3627M
VM3305T	30	981	L1	99	3723M
VM3309T	30	1289	L1	121	3734M
VM3311T	30	1040	L1	115	3731M
VM3312T	30	1276	L1	109	3726M
VM3313T	30	1246	L1	119	3733M
VM3314T	30	1807	L1	119	3731M
VM3531	23	503	K	20	3411M
VM3534	23	356	LS	21	3413M
VM3534-5	162	356	LS	21	3413M
VM3534-57	191	408	K	21	3413M
VM3535	23	565	K	22	3414M
VM3537	23	386	K	20	341M
VM3537-5	162	386	K	19	341M
VM3537-57	191	443	K	22	3413M
VM3538	23	408	LS	23	3416M
VM3538-5	162	408	LS	22	3416M
VM3538-57	191	477	K	25	342M
VM3539	23	606	K	24	3418M
VM3541	23	422	K	21	3413M
VM3541-5	162	422	K	21	3413M
VM3541-57	191	462	K	26	342M
VM3542	23	434	LS	26	342M
VM3542-5	162	434	LS	26	342M
VM3542-57	191	512	K	32	3428M
VM3543	23	620	K	32	3428M
VM3543T	23	620	L1	33	3428M
VM3545	23	494	K	23	3416M
VM3545-5	162	494	K	23	3416M
VM3545-57	191	548	K	26	342M
VM3546	23	453	LS	31	3426M
VM3546-5	162	453	LS	31	3514M
VM3546-57	191	543	K	35	3517M
VM3546T	23	551	LS	34	3516M
VM3546T-5	162	551	LS	33	3516M
VM3546T-57	191	543	L1	34	3517M
VM3550	23	537	K	30	3424M
VM3550-5	162	537	K	29	3424M
VM3550T	23	623	L1	37	352M
VM3550T-5	162	623	L1	37	352M
VM3550T-57	191	596	L1	36	352M
VM3554	23	509	LS	36	352M
VM3554-5	162	509	LS	36	352M
VM3554T	23	561	LS	38	3521M
VM3554T-5	162	561	LS	39	3521M
VM3554T-57	191	564	L1	38	3521M
VM3555	24	598	K	33	3428M

Catalog Number	Page Number	List Price	Mult Sym.	Ship Weight ⁽¹⁾	Type Code
VM3555-5	162	598	K	33	3428M
VM3555-57	191	592	K	44	3526M
VM3555T	24	710	L1	43	3526M
VM3555T-57	191	651	L1	43	3526M
VM3556	23	632	K	36	352M
VM3556T	23	742	L1	41	3522M
VM3557	23	722	K	48	3529M
VM3557T	23	775	L1	63	3546M
VM3558	24	546	LS	41	3523M
VM3558-5	162	546	LS	40	3523M
VM3558T	24	589	LS	41	3524M
VM3558T-5	162	589	LS	38	3524M
VM3558T-57	191	598	L1	46	353M
VM3559	24	693	K	46	3528M
VM3559-5	162	693	K	45	3528M
VM3559T	24	810	L1	48	3532M
VM3561	24	726	K	51	3535M
VM3561T	24	784	L1	60	3542M
VM3603	140	937	L1	34	3516M
VM3606	140	996	L1	39	3521M
VM3607	140	1118	L1	64	3628M
VM3609	140	1035	L1	41	3524M
VM3610	140	1006	L1	50	3532M
VM3610T	24	887	L1	53	3532M
VM3610T-5	162	887	L1	56	3535M
VM3611	140	1069	L1	60	3542M
VM3611T	24	711	LS	63	3542M
VM3611T-5	162	711	LS	63	3542M
VM3613	140	960	L1	68	3626M
VM3613T	24	1010	L1	70	3626M
VM3613T-5	162	1010	L1	73	363M
VM3614	140	1169	L1	73	3633M
VM3614T	24	938	L1	75	3633M
VM3615	140	1221	L1	73	3634M
VM3615T	24	814	LS	77	3634M
VM3615T-5	162	814	LS	75	3634M
VM3616T	24	1215	L1	88	364M
VM3661T	24	1146	L1	96	629M
VM3661T-9	45	1077	SD	97	629M
VM3663T	24	1389	L1	90	624M
VM3664T	24	1213	L1	100	633M
VM3665T	24	1163	L1	100	633M
VM3703	140	1136	L1	63	3542M
VM3704	140	1372	L1	106	3728M
VM3704T	24	1230	L1	109	3728M
VM3707	140	1402	L1	78	3634M
VM3708T	24	1455	L1	129	3737M
VM3709T	24	1527	L1	93	364M
VM3709T-5	162	1527	L1	91	364M
VM3710T	24	1086	LS	114	3731M
VM3710T-5	162	1086	LS	114	3731M
VM3711T	24	1588	L1	114	3729M
VM3711T-5	162	1588	L1	115	3729M
VM3713T	24	1983	L1	160	3748M
VM3713T-5	162	1983	L1	170	3748M
VM3714T	24	1293	LS	131	374M
VM3714T-5	162	1293	LS	127	374M
VM3770T	24	1609	L1	164	729M
VM3774T	24	1717	L1	169	733M
VM4103T	24	3693	LS	322	954M

⁽¹⁾ Shipping weight is approximate.

Catalog Number	Page Number	List Price	Mult Sym.	Ship Weight ⁽¹⁾	Type Code
VM4104T	24	3765	LS	418	144M
VM4106T	24	3009	L1	255	754M
VM4107T	24	3862	L1	300	942M
VM4108T	24	4139	L1	313	95M
VM7001A	79	871	K	25	341M
VM7002A	79	890	K	27	3413M
VM7005A	79	861	K	26	341M
VM7006-5	80, 170	936	K	37	3512M
VM7006-I	85	858	SD	51	3512M
VM7006A	79	936	K	29	3416M
VM7007A	79	1089	K	39	3516M
VM7009A	79	890	K	28	3413M
VM7010-5	80, 170	953	K	38	3513M
VM7010-I	85	953	SD	48	3514M
VM7010A	79	953	K	33	342M
VM7013	79	927	K	30	3416M
VM7014	79	1001	K	40	3428M
VM7014-5	80, 170	1001	K	39	3514M
VM7014-I	85	1001	SD	51	3516M
VM7014T	79	1080	L1	39	3516M
VM7014T-5	80, 170	1080	L1	41	3516M
VM7014T-I	85	1080	SD	51	3516M
VM7018T	79	1138	L1	45	352M
VM7026T	79	1489	L1	80	362M
VM7031A	79	1144	K	47	3524M
VM7032	79	1205	K	44	352M
VM7034	79	1078	K	44	352M
VM7034-I	85	1078	SD	55	3521M
VM7034T	79	1164	L1	46	3521M
VM7034T-5	80, 170	1164	L1	47	3521M
VM7034T-I	85	1164	SD	58	3521M
VM7035T	79	1331	L1	72	3546M
VM7037	79	1165	K	49	3523M
VM7037T	79	1259	L1	50	3524M
VM7037T-5	80, 170	1259	L1	49	3524M
VM7037T-I	85	1259	SD	60	3526M
VM7042T	79	1614	L1	91	3628M
VM7042T-5	80, 170	1614	L1	90	3628M
VM7042T-I	85	1614	SD	106	3628M
VM7044T	79	1966	L1	103	3634M
VM7044T-5	80, 170	1966	L1	113	3638M
VM7044T-I	85	1966	SD	120	3638M
VM7045T	79	2475	L1	165	3723M
VM7047T	79	2275	L1	157	3731M
VM7047T-5	80, 170	2275	L1	157	3731M
VM7047T-I	85	2275	SD	165	3735M
VM7071T	79	1273	L1	52	3526M
VM7072T	79	1883	L1	108	3634M
VM7073T	79	2126	L1	110	364M
VM7075T	79	1412	L1	58	3532M
VM7170T	79	2760	L1	173	733M
VM7170T-I	85	2760	SD	230	737M
VM8001	48	612	SD	28	3416M
VM8001-5	48	612	SD	27	3416M
VM8002	48	771	SD	31	342M
VM8002-5	48	771	SD	27	342M
VM8003	48	829	SD	37	3426M
VM8003T	48	937	SD	58	516M
VM8003T-5	48	937	SD	56	516M
VM8004	48	884	SD	42	352M

Catalog Number	Page Number	List Price	Mult Sym.	Ship Weight ⁽¹⁾	Type Code
VM8004T	48	919	SD	62	521M
VM8004T-5	48	919	SD	62	521M
VM8005	48	898	SD	62	522M
VM8005T	48	969	SD	64	523M
VM8005T-5	48	969	SD	69	523M
VM8006T	49	1319	SD	97	628M
VM8007T	49	1475	SD	113	633M
VM8008T	49	1902	SD	164	729M
VM8012	48	760	SD	28	3416M
VM8016	48	954	SD	63	524M
VM8016T	48	1030	SD	67	526M
VM8024T	49	2138	SD	169	733M
VM8537	48	599	SD	25	341M
VM8541	48	757	SD	27	3413M
VM8550	48	900	SD	44	352M
VM8559T	49	1125	SD	74	535M
VNM3537	23	543	K	32	3516M
VNM3538	23	444	K	22	3416M
VNM3541	23	580	K	36	352M
VNM3542	23	450	K	31	3428M
VNM3546	23	531	K	40	3524M
VP3311D	243	695	K	22	332P
VP3316D	243	733	K	26	3327P
VP3326D	243	820	K	30	3336P
VP3411-14	243	781	K	29	341P
VP3416-14	243	832	K	31	3413P
VP3426-14	243	881	K	36	342P
VP3428-14	243	850	K	31	3416P
VP3428D	243	850	K	32	3416P
VP3436-14	243	996	K	38	3428P
VP3436D	243	996	K	40	3428P
VP3439-14	243	881	K	35	342P
VP3439D	243	881	K	37	342P
VP3455-14	243	1211	K	43	3435P
VP3455D	243	1211	K	46	3435P
VP3458-14	243	996	K	39	3428P
VP3458D	243	996	K	40	3428P
VP3468-14	243	1110	L1	43	3432P
VP3468D	243	1110	L1	46	3432P
VP3575-14	243	2244	L1	84	3536P
VP3575D	243	2244	L1	67	3536P
VP3585-14	243	2677	L1	78	3548P
VP3585D	243	2677	L1	75	3548P
VP3588-14	243	2244	L1	70	3536P
VP3588D	243	2244	L1	67	3536P
VP3603D	243	3294	L1	122	3649P
VP3605D	243	5592	L1	161	3681P
VP7424-14	243	485	DS	10	
VP7424D	243	485	DS	10	
VPCP4114T	105	9191	SD	646	1248M
VPCP4115T	105	9907	SD	660	1254M
VPCP4310T	105	10568	SD	940	A3636M
VPCP4313T	105	13203	SD	982	A3644M
VPCP4314T	105	11035	SD	933	A3642M
VPCP4316T	105	13434	SD	1010	A3656M
VRBM3161T	146	2579	L1	82	7543M
VRBM3538	146	1399	K	35	342M
VRBM3542	146	1638	K	47	3428M
VRBM3546	146	1888	K	47	3436M
VRBM3546T	146	2019	L1	46	3436M

Motor Accessories
PT Components
Grinders
Baldor Mod Express
ABB Mod Express
ABB ATEX Mod Express
Product Index

⁽¹⁾ Shipping weight is approximate.

Motor
Accessories

PT Components

Grinders

Baldor
Mod Express

ABB
Mod Express

ABB ATEX
Mod Express

Product
Index

Catalog Number	Page Number	List Price	Mult Sym.	Ship Weight ⁽¹⁾	Type Code
VRBM3554T	146	2054	L1	63	753M
VRBM3558T	146	2110	L1	69	7536M
VRBM3561T	146	2173	L1	76	7543M
VSSEFWDM3538	71	1395	WD	49	3516M
VSSEFWDM3542	71	1443	WD	54	3521M
VSSEFWDM3546	71	1509	WD	59	3525M
VSSEFWDM3546T	71	1522	WD	58	3525M
VSSEWDM3537	71	1344	WD	49	3516M
VSSEWDM3538	71	1367	WD	49	3516M
VSSEWDM3541	71	1393	WD	54	352M
VSSEWDM3542	71	1415	WD	53	3521M
VSSEWDM3543	71	1703	WD	61	353M
VSSEWDM3545	71	1465	WD	43	3524M
VSSEWDM3546	71	1480	WD	58	3525M
VSSEWDM3546T	71	1494	WD	56	3525M
VSSEWDM3550	71	1485	WD	66	3532M
VSSEWDM3550T	71	1499	WD	64	3532M
VSSEWDM3554	71	1493	WD	66	3533M
VSSEWDM3554T	71	1507	WD	65	3533M
VSSEWDM3555T	71	1805	WD	70	3535M
VSSEWDM3556	71	1763	WD	72	3537M
VSSEWDM3558	71	1818	WD	71	3538M
VSSEWDM3558T	71	1831	WD	70	3538M
VSSFWDM3538	69	1383	WD	40	3513M
VSSFWDM3542	69	1428	WD	44	3519M
VSSFWDM3546	69	1466	WD	50	3524M
VSSWDM3457	69	1023	WD	33	3513M
VSSWDM3534	69	1078	WD	33	3512M
VSSWDM3537	69	1215	WD	37	3513M
VSSWDM3538	69	1308	WD	40	3516M
VSSWDM3541	69	1262	WD	41	3518M
VSSWDM3542	69	1356	WD	42	3519M
VSSWDM3545	69	1383	WD	41	3516M
VSSWDM3546	69	1393	WD	46	3524M
VSSWDM3550	69	1401	WD	49	3528M
VSSWDM3554T	69	1537	WD	46	3521M
VSSWDM3555T	69	1856	WD	57	3532M
VSSWDM3558T	69	1876	WD	52	3528M
VSSWDM3559T	69	2238	WD	60	3535M
VSSWDM3561T	69	1991	WD	63	3546M
VSSWDM3611T	69	2128	WD	87	3628M
VSSWDM3613T	69	2433	WD	94	3634M
VSSWDM3615T	69	2451	WD	107	364M
VSWDM3538	67	707	WD	28	3512M
VSWDM3542	67	818	WD	31	3514M
VSWDM3546	67	849	WD	34	3518M
VSWDM3546T	67	849	WD	34	3518M
VSWDM3554	67	890	WD	41	3526M
VSWDM3554T	67	890	WD	42	3526M
VSWDM3558T	67	1093	WD	42	3524M
VUHL3518	145	464	K	35	352L
VUHL3519	145	571	K	40	3524L
VUHM3538	145	414	K	30	3511M
VUHM3538-5	145	414	K	33	3513M
VUHM3542	145	439	K	35	3513M
VUHM3542-5	145	439	K	34	3516M
VUHM3546	145	470	K	35	3516M
VUHM3546-5	145	470	K	36	3516M
VUHM3546T	145	507	L1	36	3516M
VUHM3546T-5	145	507	L1	39	3516M

Catalog Number	Page Number	List Price	Mult Sym.	Ship Weight ⁽¹⁾	Type Code
VUHM3554	145	512	K	40	3521M
VUHM3554T	145	553	L1	39	3521M
VUHM3554T-5	145	553	L1	39	3521M
VUHM3558	145	551	K	43	3524M
VUHM3558T	145	595	L1	43	3524M
VUHM3558T-5	145	595	L1	42	3524M
VUHM3611T	145	719	L1	64	3542M
VUHM3615T	145	822	L1	75	3634M
VWAM3538	50	707	SD	35	3512M
VWAM3542	50	818	SD	37	3514M
VWAM3546	50	849	SD	41	3518M
VWAM3546T	50	849	SD	41	3518M
VWAM3554	50	890	SD	48	3526M
VWAM3554T	50	890	SD	49	3526M
VWAM3558	50	1095	SD	47	3523M
VWAM3558T	50	1182	SD	47	3524M
VWAM3611T	50	1431	SD	86	3628M
VWAM3615T	50	1668	SD	91	3634M
VWAM3710T	50	2038	SD	131	3731M
VWAM3714T	50	2324	SD	147	374M
VWDL3504	58	594	WD	35	352L
VWDL3507	58	698	WD	36	352L
VWDL3510	58	799	WD	42	3524L
VWDL3514	58	959	WD	48	3532LC
VWDM3457	61	493	WD	20	341M
VWDM3534	61	519	WD	33	3512M
VWDM3538	61	649	WD	29	3512M
VWDM3538-5	62, 166	649	WD	28	3512M
VWDM3542	61	705	WD	33	3516M
VWDM3542-5	62, 166	705	WD	32	3516M
VWDM3546	61	755	WD	35	3518M
VWDM3546-5	62, 166	755	WD	33	3518M
VWDM3546T	61	776	WD	34	3518M
VWDM3554	61	795	WD	41	3526M
VWDM3554T	61	815	WD	43	3526M
VWDM3554T-5	62, 166	815	WD	42	3526M
VWDM3558	61	844	WD	40	3523M
VWDM3558T	61	926	WD	41	3524M
VWDM3558T-5	62, 166	926	WD	41	3524M
VWDM3559	61	1084	WD	49	3532M
VWDM3561T	61	1323	WD	60	3542M
VWDM3611T	61	1217	WD	62	3542M
VWDM3615T	61	1520	WD	76	3634M
VWDM3710T	61	1737	WD	110	3731M
VWDM3714T	61	1981	WD	129	374M
W1X3-1/2	347	1120	STB29	122	
W1X3-11/16	347	1120	STB29	119	
W1X3-15/16	347	1120	STB29	116	
W1X3-3/4	347	1120	STB29	119	
W1X3-3/8	347	1120	STB29	123	
W1X3-5/8	347	1120	STB29	120	
W1X3-7/16	347	1120	STB29	122	
W1X3-7/8	347	1120	STB29	117	
W1X4	347	1120	STB29	115	
W1X4-1/2	347	1120	STB29	108	
W1X4-1/4	347	1120	STB29	112	
W1X4-1/8	347	1120	STB29	114	
W1X4-15/16	347	1518	STB29	100	
W1X4-3/16	347	1120	STB29	113	
W1X4-3/4	347	1120	STB29	104	

⁽¹⁾ Shipping weight is approximate.

Catalog Number	Page Number	List Price	Mult Sym.	Ship Weight ⁽¹⁾	Type Code
W1X4-3/8	347	1120	STB29	110	
W1X4-5/8	347	1120	STB29	106	
W1X4-7/16	347	1120	STB29	109	
W1X4-7/8	347	1120	STB29	102	
W1X5	347	1518	STB29	98	
W1X5-1/2	347	1120	STB29	91	
W1X5-1/4	347	1120	STB29	95	
W1X5-1/8	347	1120	STB29	98	
W1X5-15/16	347	1120	STB29	83	
W1X5-3/16	347	1120	STB29	97	
W1X5-3/4	347	1120	STB29	87	
W1X5-3/8	347	1120	STB29	94	
W1X5-5/8	347	1120	STB29	89	
W1X5-7/16	347	1120	STB29	92	
W1X5-7/8	347	1120	STB29	84	
W1X6	347	1120	STB29	82	
W1X6-1/2	347	1120	STB29	78	
W1X6-1/4	347	1120	STB29	76	
W1X6-1/8	347	1180	STB29	79	
W1X6-15/16	347	1120	STB29	61	
W1X6-3/16	347	1120	STB29	78	
W1X6-3/4	347	1120	STB29	66	
W1X6-3/8	347	1180	STB29	74	
W1X6-5/8	347	1120	STB29	68	
W1X6-7/16	347	1120	STB29	72	
W1X6-7/8	347	1120	STB29	63	
W1X7	347	1120	STB29	60	
W1X7-1/4	347	1120	STB29	54	
W1X7-1/8	347	1120	STB29	57	
W1X7-3/16	347	1120	STB29	55	
W1X7-3/8	347	1120	STB29	51	
W1X7-7/16	347	1120	STB29	49	
W64	429	50	A8	1	
W70	429	59	A8	1	
W82	429	66	A8	1	
WCL1406T	96	994	L1	81	3628L
WCL1408T	96	1140	L1	91	3634LC
WCL1409T	96	1407	L1	91	3634L
WCL1508T	96	1620	L1	116	3727L
WCL1509T	96	2013	L1	117	3729L
WCL1511T	96	2482	L1	143	374L
WCM3212T	101	818	L1	69	3535M
WCM3219T	101	995	L1	83	3627M
WCM3312T	101	1356	L1	114	3726M
WCM3314T	101	1830	L1	137	3731M
WCM3709T	98	1374	L1	100	364M
WCM3710T	98	1233	L1	124	3731M
WCM3711T	98	1644	L1	126	3729M
WCM3713T	99	1960	L1	160	3748M
WCM3714T	98	1522	L1	136	374M
WDS600A01SP	64	35	A8	0	
WDS601A01SP	64	15	A8	0	
WDS601A02SP	64	15	A8	0	
WDB13H71	326	87	A8	3	
WDB15H71	326	87	A8	4	
WDB18H71	326	108	A8	6	
WDB21H71	326	114	A8	6	
WDB24H71	326	123	A8	8	
WDB26H71	326	139	A8	9	
WDB30H71	326	154	A8	6	

Catalog Number	Page Number	List Price	Mult Sym.	Ship Weight ⁽¹⁾	Type Code
WDB32H71	326	181	A8	13	
WDGF0518AG	318	675	GB	30	
WDGF1013AG	318	628	GB	20	
WDGF1015AG	318	664	GB	25	
WDGF1015BG	318	664	GB	25	
WDGF1018AG	318	675	GB	30	
WDGF1021AG	318	832	GB	35	
WDGF1024BG	318	974	GB	40	
WDGF1513AG	318	628	GB	20	
WDGF1515AG	318	664	GB	25	
WDGF1518AG	318	675	GB	30	
WDGF1521AG	318	832	GB	35	
WDGF1524AG	318	974	GB	40	
WDGF2013AG	318	628	GB	20	
WDGF2015AG	318	664	GB	25	
WDGF2018AG	318	675	GB	30	
WDGF2026BG	318	1113	GB	52	
WDGF3018AG	318	675	GB	30	
WDGF3021AG	318	832	GB	35	
WDGF3024AG	318	974	GB	40	
WDGF3026AG	318	1113	GB	55	
WDGF3032BG	318	1633	GB	87	
WDGF4015AG	318	664	GB	25	
WDGF4018AG	318	675	GB	30	
WDGF4021AG	318	832	GB	35	
WDGF4024AG	318	974	GB	40	
WDGF4026AG	318	1113	GB	55	
WDGF4032BG	318	1633	GB	87	
WDGF5013AG	318	628	GB	20	
WDGF5015AG	318	664	GB	25	
WDGF5021AG	318	832	GB	35	
WDGF5024AG	318	974	GB	40	
WDGF5026AG	318	1113	GB	55	
WDGF5032BG	318	1633	GB	92	
WDGF6015AG	318	664	GB	25	
WDGF6018AG	318	675	GB	30	
WDGF6021AG	318	832	GB	35	
WDGF6024AG	318	974	GB	40	
WDGF6026AG	318	1113	GB	55	
WDGF6032AG	318	1633	GB	92	
WDL3504	58	592	WD	37	
WDL3507	58	693	WD	37	
WDL3510	58	801	WD	41	
WDL3510T	58	823	WD	41	
WDL3514T	58	987	WD	50	
WDM3538	59	621	WD	27	
WDM3542	59	664	WD	30	
WDM3546	59	674	WD	34	
WDM3546T	59	696	WD	34	
WDM3553TP-9	63	1316	WD	65	
WDM3554T	59	760	WD	40	
WDM3558TP-9	63	1185	WD	41	
WDM3561TP-9	63	1455	WD	63	
WDM3563TP-9	63	1455	WD	63	
WDM3663TP-9	63	1477	WD	90	
WWL3509	139	496	K	33	
WWL3515T	139	809	L1	55	
WWL3606	139	1034	L1	72	
WX120MM	343	1480	QDB03	265	
WX4-1/4	342	1480	QDB03	230	

⁽¹⁾ Shipping weight is approximate.

Motor
Accessories

PT Components

Grinders

Baldor
Mod Express

ABB
Mod Express

ABB ATEX
Mod Express

Product
Index

Motor
Accessories

PT
Components

Grinders

Baldor
Mod Express

ABB
Mod Express

ABB ATEX
Mod Express

Product
Index

Catalog Number	Page Number	List Price	Mult Sym.	Ship Weight ⁽¹⁾	Type Code
WX4-11/16	342	1480	QDB03	240	
WX4-15/16	342	1480	QDB03	275	
WX4-3/4	342	1480	QDB03	233	
WX4-5/8	342	1480	QDB03	275	
WX4-7/16	342	1480	QDB03	240	
WX4-7/8	342	1480	QDB03	233	
WX5	342	1480	QDB03	265	
WX5-1/2	342	1480	QDB03	223	
WX5-1/4	342	1480	QDB03	244	
WX5-11/16	342	1480	QDB03	255	
WX5-15/16	342	1480	QDB03	204	
WX5-3/4	342	1480	QDB03	230	
WX5-7/16	342	1480	QDB03	255	
WX6	342	1480	QDB03	237	
WX6-1/2	342	1480	QDB03	187	
WX6-1/4	342	1480	QDB03	195	
WX6-15/16	342	1480	QDB03	185	
WX6-3/4	342	1480	QDB03	180	
WX6-7/16	342	1480	QDB03	189	
WX6-7/8	342	1480	QDB03	198	
WX7	342	1480	QDB03	172	
WX7-1/2	342	1480	QDB03	155	
WX7-1/4	342	1480	QDB03	175	
WX7-1/8	342	1799	QDB03	170	
WX7-3/4	342	1480	QDB03	163	
WX7-3/8	342	1480	QDB03	162	
WX7-7/16	342	1480	QDB03	160	
WX7-7/8	342	1480	QDB03	200	
WX8	342	1480	QDB03	172	
WX8-1/2	342	1480	QDB03	133	
WX8-1/2KW2X3/8	342	1480	QDB03	133	
WX8-1/4	342	1480	QDB03	153	
YPC144A	124	297	K	20	348C
YPC164A	124	337	K	20	3411C
YPC244A	124	321	K	17	3411C
YPC245A	124	326	K	21	3411C
YPC264A	124	369	K	22	3414C
YPC344A	124	369	K	23	3414C
YPC345A	124	374	K	24	3414C
YPC364A	124	422	K	27	342C
ZDBRPM18154C	197	6548	E2	210	
ZDBRPM18204C	197	7010	E2	235	
ZDBRPM21304C	197	7827	E2	318	
ZDBRPM21404	197	8242	E2	390	
ZDBRPM25504	197	8981	E2	517	
ZDBRPM25604	197	12383	E2	517	
ZDBRPM25754	197	14432	E2	646	
ZDBRPM281004R1	197	16091	E2	895	
ZDBRPM281254	197	16923	E2	985	
ZDBRPM321254	197	22967	E2	1170	
ZDBRPM321504	197	30109	E2	1310	
ZDBRPM362004	197	33113	E2	1700	
ZDBRPM402004	197	35581	E2	2103	
ZDFRPM18104C	197	6402	E2	200	
ZDFRPM21204C	197	7827	E2	318	
ZDFRPM21254C	197	7912	E2	318	
ZDFRPM25304C	197	8221	E2	536	
ZDFRPM25404	197	8572	E2	635	
ZDNRPM18054C	197	5692	E2	175	
ZDNRPM18074C	197	6241	E2	220	

Catalog Number	Page Number	List Price	Mult Sym.	Ship Weight ⁽¹⁾	Type Code
ZDNRPM21104C	197	7017	E2	305	
ZDPM18010C-BV	194	7233	E2	190	
ZDPM18015C-BV	194	7315	E2	206	
ZDPM18020C-BV	194	8892	E2	236	
ZDPM18025C-BV	194	8913	E2	285	
ZDPM18030C-BV	194	8913	E2	295	
ZDPM21040-BV	194	9339	E2	376	
ZDPM21050-BV	194	9674	E2	415	
ZDPM21060-BV	194	10597	E2	446	
ZDPM25075-BV	194	17411	E2	642	
ZDPM25100-BV	194	18448	E2	688	
ZDPM28125-BV	194	19486	E2	190	
ZDPM28150-BV	194	20523	E2	190	
ZDWNM22937T	74	5152	E2	241	394M
ZDWNM22938T	74	5767	E2	286	3956M
ZDWNM3546T	74	3107	E2	44	3524M
ZDWNM3554T	74	3264	E2	56	3533M
ZDWNM3609T	74	3438	E2	71	3628M
ZDWNM3611T	74	3609	E2	90	364M
ZDWNM3707T	74	3878	E2	126	3735M

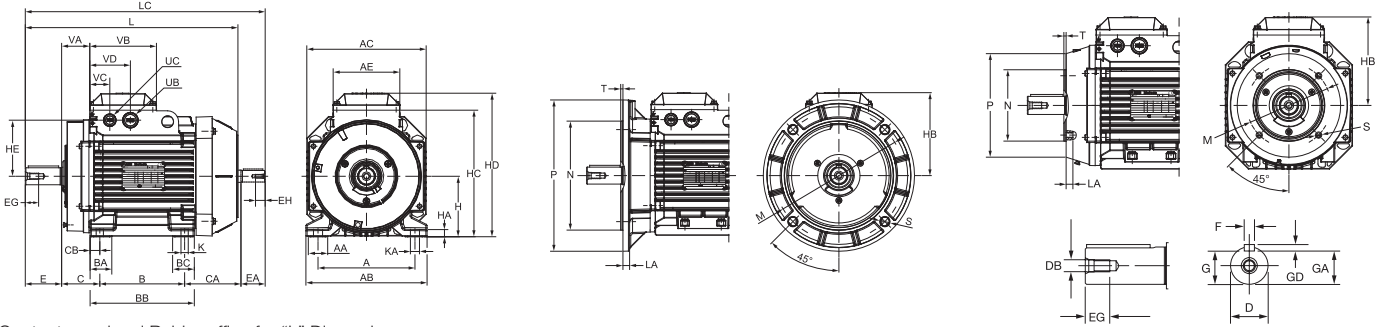
⁽¹⁾ Shipping weight is approximate.

CATALOG NOTES:

1. Class F Insulated Motor with 1.15 Service Factor or higher that operates within Class "B" temperature limits at rated horsepower.
2. 1.00 Service Factor.
3. Capacitor start, induction run.
5. Belted duty only, roller bearing.
6. F-2 Mounting
7. Copper Bar Rotor
8. Class "H" Insulated.
9. Low Noise Fan Cover
11. F-3 Mounting
12. 1.25 Service Factor
13. 1.35 Service Factor
14. 1.00 Service Factor, Class F Rise
17. Capable of 100% thrust in either direction.
19. 60/50 Hertz motor. 60 Hertz data shown, contact your local Baldor•Reliance office for 50 Hertz data.
20. Class F Insulation.
24. Part Winding Start or DOL.
25. Wye Start, Delta Run or DOL.
27. Motors have ball bearing suitable for coupled loads. If load is belted, a roller bearing may be required, contact your local Baldor•Reliance office.
29. V-dimension is 2.5".
30. Usable at 208 volts.
33. Voltage @ 60 Hz
35. Design A, Exceeds Design B inrush limits.
36. Can mount as NEMA 56, 143T & 145T frames with NEMA 56 frame shaft dimensions.
37. Can mount as NEMA 56, 143T & 145T frames with NEMA 143T-145T frame shaft dimensions.
40. Brake motors may be mounted for vertical mounting with brake below motor.
41. Brake motors may be mounted for vertical mounting with brake above or below motor.
42. Brake motors must be modified for vertical mounting. Springs included with brake.
45. Horizontal mount, no C-Face. May be converted to C-Face in Mod Express or built as custom motors.
46. Includes 1024 ppr encoder.
47. BA dimension does not meet NEMA standards.
48. Includes phase insulation. Suitable for use on inverter.
50. Voltage @ 50 Hz, usable on 460 Volt 60 Hz
51. Full Load Amps @ 400 Volt nominal - 50 Hz.
52. IP55 Enclosure.
53. Tungsten Carbide Outer Seal
56. Legacy Reliance E-Line motor design. Has F1 side mounted conduit box. Single frame mounting holes in 447 & 449 frame sizes.
57. Can mount as NEMA 145T frame with 145T frame shaft dimensions.
59. Suitable for operation @ 415V, 50 Hz.
60. Totally-Enclosed, Non-Ventilated, Continuous Duty.
63. Foot also drilled for 447T frame mounting.
64. Motors include 100 ohm platinum winding RTDs and space heaters.
65. Capacitor start, capacitor run (two value capacitor).
66. Resilient mount single phase motors with moderate starting torque for fan applications.
67. NEMA 48 Base Mount, not swivel mount.
68. 3 lead.
69. 6 lead suitable for part winding start on 200 volts.
70. Constant velocity fan: 230/460 volts, three phase.
71. Nominal efficiency is based at the 1800 RPM (High RPM) and low speed efficiency is available just not published.
73. SCR Motors with a 3:1 constant torque speed range.
74. V-dimension is 3".
77. Inverter Duty.
78. Furnished without conduit box. (Order kit BK2400)
80. Motor has thermostat and provisions for adding flange mounted tach.
81. 230/460V 3Ø motor, 200/400V 3Ø motor or 115/230V 1Ø motor connected for voltage shown. Can be reconnected for other voltage.
82. Single voltage motor. Cannot reconnect.
83. May be operated on 50Hz rectified power supply with full nameplate rating. AC supply voltage must be same as 60Hz supply; i.e., either 230 or 460 volts. Motor nameplate is stamped D-50/60. Motor mounted blower may be added to DPG enclosure.
84. May be operated on 50Hz rectified power supply with full nameplate rating only when motor is force ventilated with motor mounted blower. AC supply voltage must be same as 60Hz supply.
85. Cannot be operated at full nameplate rating on 50Hz rectified power supply.
87. Motor has thermostat and provisions for adding adapter mounted tach.
88. Sleeve bearings - coupled loads only.
89. Cooling fan on each end.
90. Foot mounted and 180TC face.
91. Foot mounted and 210TC face.
92. Foot mounted and 250TC face.
93. Foot mounted only.
94. Foot mounted only. These stock models include VPI insulation on L440 only, insulated ODE bearing, shaft ground brush, and stator RTD's.
95. Foot mounted only. Includes filter, VPI, insulated ODE bearing and two sets of thermostats.
96. UL Recognized thermal protection
97. One size smaller flange and shaft.
98. This catalog number cannot be manufactured after March 9, 2015. Replaced by Small Motor Rule Compliant Motors. Contact Baldor for new Catalog Number.
99. G-Series motor design. Has F3 Lead outlet in frame and an arm mounted conduit box for F1 & F2 Lead Location. Dual Frame mounting holes in 445/447 and 447/449 frames.
101. Blower on drive end.
102. Force vent with blower and filter. Full nameplate rating on 50 Hz rectified power, AC supply voltage must be same as 60 Hz supply.
103. Force vent with blower, full nameplate rating on 50 Hz rectified power. AC supply voltage must be same as 60 Hz supply, thermostats and tach provisions.
104. Force vent with blower, cannot run full nameplate on 50 Hz rectified power, thermostats and tach provisions.
105. Force vent with blower on drive end filter, thermostats and tach provisions.

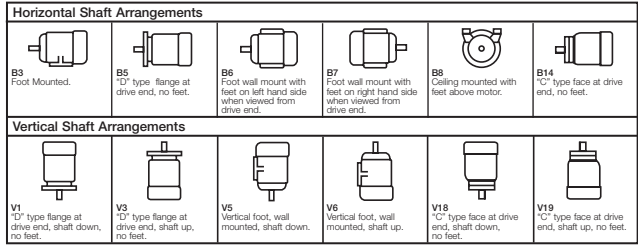
ABB product IEC quick reference chart

Leading provider of energy efficient industrial electric motors and drives.

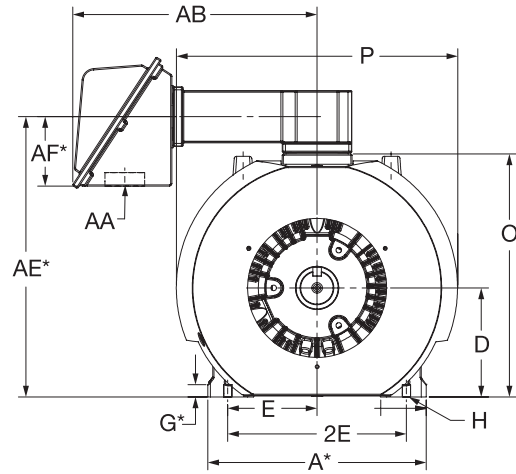
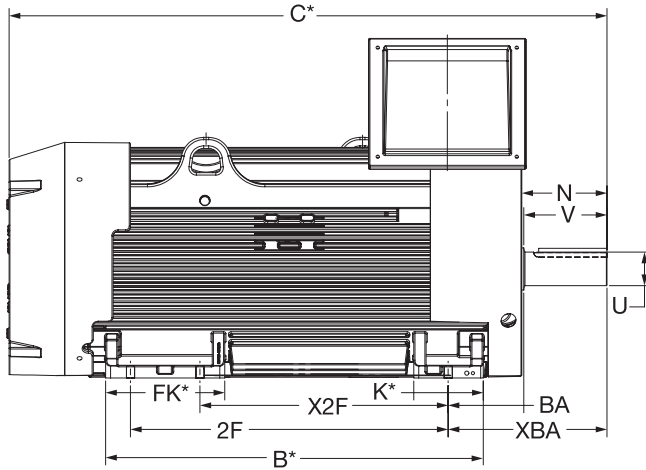


Contact your local Baldor office for "L" Dimensions.

IEC Frame	Foot Mounted		Shaft				B5 Flange				B14 Face								
	A	B	B'	H	D	E	DB	EG	LA	M	N	P	S	T	M	N	P	S	T
63	100mm	80mm	-	63mm	11mm	23mm	M4	10mm	10mm	115mm	95mm	120mm	7mm	3mm	75mm	60mm	90mm	M5	2.5mm 0.10"
	3.94"	3.15"	-	2.48"	0.43"	0.91"		0.39"	0.39"	4.53"	3.74"	4.72"	0.28"	0.12"	2.95"	2.36"	3.54"		
71	112mm	90mm	-	71mm	14mm	30mm	M5	12.5mm	9mm	130mm	110mm	160mm	10mm	3.5mm	85mm	70mm	105mm	M6	2.5mm 0.10"
	4.41"	3.54"	-	2.80"	0.55"	1.18"		0.49"	0.35"	5.12"	4.33"	6.30"	0.39"	0.14"	3.35"	2.76"	4.13"		
80	125mm	100mm	-	80mm	19mm	40mm	M6	16mm	10mm	165mm	130mm	200mm	12mm	3.5mm	100mm	80mm	120mm	M6	3mm 0.12"
	4.92"	3.94"	-	3.15"	0.75"	1.57"		0.63"	0.39"	6.50"	5.12"	7.87"	0.47"	0.14"	3.94"	3.15"	4.72"		
90S	140mm	100mm	-	90mm	24mm	50mm	M8	19mm	10mm	165mm	130mm	200mm	12mm	3.5mm	115mm	95mm	140mm	M8	3mm 0.12"
	5.51"	3.94"	-	3.54"	0.94"	1.97"		0.75"	0.39"	6.50"	5.12"	7.87"	0.47"	0.14"	4.53"	3.74"	5.51"		
90L	140mm	125mm	-	90mm	24mm	50mm	M8	19mm	10mm	165mm	130mm	200mm	12mm	3.5mm	115mm	95mm	140mm	M8	3mm 0.12"
	5.51"	4.92"	-	3.54"	0.94"	1.97"		0.75"	0.39"	6.50"	5.12"	7.87"	0.47"	0.14"	4.53"	3.74"	5.51"		
100	160mm	140mm	-	100mm	28mm	60mm	M10	22mm	11mm	215mm	180mm	250mm	15mm	4mm	130mm	110mm	160mm	M8	3.5mm 0.14"
	6.30"	5.51"	-	3.94"	1.10"	2.36"		0.87"	0.43"	8.46"	7.09"	9.84"	0.59"	0.16"	5.12"	4.33"	6.30"		
112	190mm	140mm	-	112mm	28mm	60mm	M10	22mm	11mm	215mm	180mm	250mm	15mm	4mm	130mm	110mm	160mm	M8	3.5mm 0.14"
	7.48"	5.51"	-	4.41"	1.10"	2.36"		0.87"	0.43"	8.46"	7.09"	9.84"	0.59"	0.16"	5.12"	4.33"	6.30"		
132	216mm	140mm	178mm	132mm	38mm	80mm	M12	28mm	12.5mm	265mm	230mm	300mm	15mm	4mm	165mm	130mm	200mm	M10	3.5mm 0.14"
	8.50"	5.51"	7.01"	5.20"	1.50"	3.15"		1.10"	0.49"	10.43"	9.06"	11.81"	0.59"	0.16"	6.50"	5.12"	7.87"		
160	254mm	210mm	254mm	160mm	42mm	110mm	M16	36mm	20mm	300mm	250mm	350mm	19mm	5mm	215mm	180mm	250mm	M12	4mm 0.16"
	10.00"	8.27"	10.00"	6.30"	1.65"	4.33"		1.42"	0.79"	11.81"	9.84"	13.78"	0.75"	0.20"	8.46"	7.09"	9.84"		
180	279mm	241mm	279mm	180mm	48mm	110mm	M16	36mm	20mm	300mm	250mm	350mm	19mm	5mm	-	-	-	-	-
	10.98"	9.49"	10.98"	7.09"	1.89"	4.33"		1.42"	0.79"	11.81"	9.84"	13.78"	0.75"	0.20"	-	-	-	-	-
200	318mm	267mm	305mm	200mm	55mm	110mm	M20	42mm	20mm	350mm	300mm	400mm	19mm	5mm	-	-	-	-	-
	12.52"	10.51"	12.01"	7.87"	2.17"	4.33"		1.65"	0.79"	13.78"	11.81"	15.75"	0.75"	0.20"	-	-	-	-	-
225 S	356mm	286mm	311mm	225mm	60mm	140mm	M20	42mm	20mm	400mm	350mm	450mm	19mm	5mm	-	-	-	-	-
	14.02"	11.26"	12.24"	8.86"	2.17"	4.33"		1.65"	0.79"	15.75"	13.78"	17.72"	0.75"	0.20"	-	-	-	-	-
225 M	356mm	286mm	311mm	225mm	60mm	140mm	M20	42mm	20mm	400mm	350mm	450mm	19mm	5mm	-	-	-	-	-
	14.02"	11.26"	12.24"	8.86"	2.36"	5.51"		1.65"	0.79"	15.75"	13.78"	17.72"	0.75"	0.20"	-	-	-	-	-
250 S	406mm	311mm	349mm	250mm	60mm	140mm	M20	42mm	24mm	500mm	450mm	550mm	19mm	5mm	-	-	-	-	-
	15.98"	12.24"	13.74"	9.84"	2.36"	5.51"		1.65"	0.94"	19.69"	17.72"	21.65"	0.75"	0.20"	-	-	-	-	-
250 M	406mm	311mm	349mm	250mm	65mm	140mm	M20	42mm	24mm	500mm	450mm	550mm	19mm	5mm	-	-	-	-	-
	15.98"	12.24"	13.74"	9.84"	2.56"	5.51"		1.65"	0.94"	19.69"	17.72"	21.65"	0.75"	0.20"	-	-	-	-	-
280 S	457mm	368mm	419mm	280mm	65mm	140mm	M20	42mm	23mm	500mm	450mm	550mm	18mm	5mm	-	-	-	-	-
	17.99"	14.49"	16.50"	11.02"	2.56"	5.51"		1.65"	0.91"	19.69"	17.72"	21.65"	0.71"	0.20"	-	-	-	-	-
280 M	457mm	368mm	419mm	280mm	75mm	140mm	M20	42mm	23mm	500mm	450mm	550mm	18mm	5mm	-	-	-	-	-
	17.99"	14.49"	16.50"	11.02"	2.95"	5.51"		1.65"	0.91"	19.69"	17.72"	21.65"	0.71"	0.20"	-	-	-	-	-
315 S, 2p	508mm	406mm	457mm	315mm	65mm	140mm	M20	40mm	25mm	600mm	550mm	660mm	23mm	6mm	-	-	-	-	-
	20"	16"	18"	12.4"	2.56"	5.51"		1.57"	0.98"	23.62"	21.65"	25.98"	0.91"	0.24"	-	-	-	-	-
315 S, 4p-8p	508mm	406mm	457mm	315mm	80mm	170mm	M20	40mm	25mm	600mm	550mm	660mm	23mm	6mm	-	-	-	-	-
	20"	16"	18"	12.4"	3.15"	6.69"		1.57"	0.98"	23.62"	21.65"	25.98"	0.91"	0.24"	-	-	-	-	-
315 M, 2p	508mm	457mm	508mm	315mm	65mm	140mm	M20	40mm	25mm	600mm	550mm	660mm	23mm	6mm	-	-	-	-	-
	20"	18"	20"	12.4"	2.56"	5.51"		1.57"	0.98"	23.62"	21.65"	25.98"	0.91"	0.24"	-	-	-	-	-
315 M, 4-8p	508mm	457mm	508mm	315mm	90mm	170mm	M24	48mm	25mm	600mm	550mm	660mm	23mm	6mm	-	-	-	-	-
	20"	18"	20"	12.4"	3.54"	6.69"		1.89"	0.98"	23.62"	21.65"	25.98"	0.91"	0.24"	-	-	-	-	-
355 S, 2p	610mm	500mm	560mm	355mm	70mm	140mm	M20	42mm	35mm	740mm	680mm	800mm	23mm	6mm	-	-	-	-	-
	24.02"	19.69"	22.05"	13.98"	2.76"	5.51"		1.65"	1.38"	29.13"	26.77"	31.50"	0.91"	0.24"	-	-	-	-	-
355 S, 4-8p	610mm	500mm	560mm	355mm	100mm	210mm	M24	51mm	35mm	740mm	680mm	800mm	23mm	6mm	-	-	-	-	-
	24.02"	19.69"	22.05"	13.98"	3.94"	8.27"		2.01"	1.38"	29.13"	26.77"	31.50"	0.91"	0.24"	-	-	-	-	-
355 M, 2p	610mm	560mm	630mm	355mm	70mm	140mm	M20	42mm	35mm	740mm	680mm	800mm	23mm	6mm	-	-	-	-	-
	24.02"	22.05"	24.80"	13.98"	2.76"	5.51"		1.65"	1.38"	29.13"	26.77"	31.50"	0.91"	0.24"	-	-	-	-	-
355 M, 4-8p	610mm	560mm	630mm	355mm	100mm	210mm	M24	51mm	35mm	740mm	680mm	800mm	23mm	6mm	-	-	-	-	-
	24.02"	22.05"	24.80"	13.98"	3.94"	8.27"		2.01"	1.38"	29.13"	26.77"	31.50"	0.91"	0.24"	-	-	-	-	-
355 L, 2p	610mm	630mm	710mm	355mm	70mm	140mm	M20	42mm	35mm	740mm	680mm	800mm	23mm	6mm	-	-	-	-	-
	24.02"	24.80"	27.95"	13.98"	2.76"	5.51"		1.65"	1.38"	29.13"	26.77"	31.50"	0.91"	0.24"	-	-	-	-	-
355 L, 4-8p	610mm	630mm	710mm	355mm	100mm	210mm	M24	51mm	35mm	740mm	680mm	800mm	23mm	6mm	-	-	-	-	-
	24.02"	24.80"	27.95"	13.98"	3.94"	8.27"		2.01"	1.38"	29.13"	26.77"	31.50"	0.91"	0.24"	-	-	-	-	-



Legend
 1 mm = .03937"
 1" = 25.40 mm



Drawings represent standard Large AC TEFC motors.

*Dimensions are for reference only.

*Contact your local Baldor Sales Office for "C" Dimensions.

Dimensions - N, O, P and AB are specific to Baldor.

LARGE AC QUICK REFERENCE CHART

FRAME	D	E	Dual Foot Mount Holes		H	N	O	P	U	V	AA	AB	BA	XBA
			2F	X2F										
L449TS L449T	11	9	32	25	13/16	4.84 8.56	24.49	28.32	2 3/8 3 3/8	4 3/4 8 3/8	4.60	26.86	7 1/2	-
5008S 5008L	12 1/2	10	25	22	15/16	6.77 10.75	26.75	32.38	2 3/8 4 1/8	6 10	-	29.64	-	15 1/2 19 1/2
5010S 5010L	12 1/2	10	32	28	15/16	6.77 10.75	26.75	32.38	2 3/8 4 1/8	6 10	-	29.64	-	15 1/2 19 1/2
5012L	12 1/2	10	40	36	15/16	10.75	26.75	32.38	4 1/8	10	-	29.64	-	19 1/2
5810S 5810L	14 1/2	11 1/2	36	32	1 7/8	7.26 13.94	32.32	36.42	2 3/8 4 1/8	6 1/2 13	-	31.12	-	17 23 11/16

The above chart provides typical Baldor•Reliance motor dimensions.

For more exact dimensional data, please check the specific drawing for each catalog number.

AA dimension shown in chart are Baldor typical values.

Customer to drill hole in terminal box for frames larger than 449.

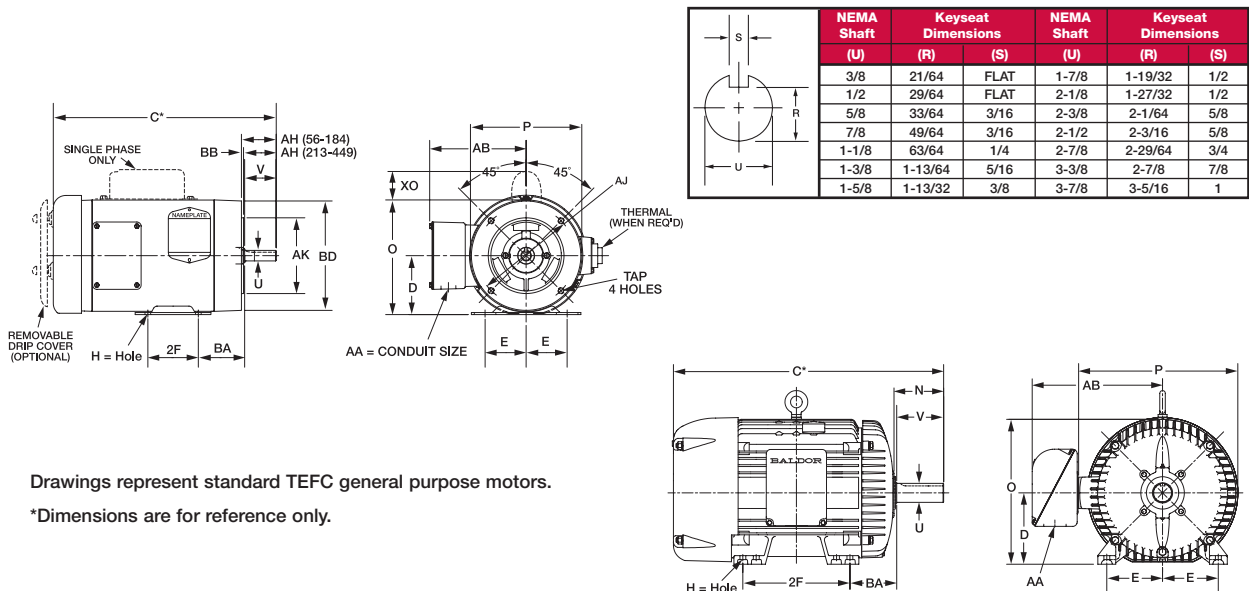
Dimensions are in inches.

If mounting clearance details are required, consult factory.

BALDOR®

A MEMBER OF THE ABB GROUP

Leading Provider of Energy Efficient Industrial Electric Motors and Drives



Drawings represent standard TEFC general purpose motors.
*Dimensions are for reference only.

*Contact your local Baldor Sales Office for "C" Dimensions.

Dimensions - N, O, P, AB and XO are specific to Baldor.

NEMA QUICK REFERENCE CHART

NEMA FRAME	D	E	2F	H	N	O	P	U	V	AA	AB	AH	AJ	AK	BA	BB	BD	XO	TAP
42	2-5/8	1-3/4	1-11/16	9/32 SLOT	1-1/2	5	4-11/16	3/8	1-1/8	3/8	4-1/32	1-5/16	3-3/4	3	2-1/16	1/8	4-5/8	1-9/16	1/4-20
48	3	2-1/8	2-3/4	11/32 SLOT	1-7/8	5-7/8	5-11/16	1/2	1-1/2	1/2	4-3/8	1-11/16	3-3/4	3	2-1/2	1/8	5-5/8	2-1/4	1/4-20
56 56H	3-1/2	2-7/16	3	11/32 SLOT	2-7/16	6-7/8	6-5/8	5/8	1-7/8	1/2	5	2-1/16	5-7/8	4-1/2	2-3/4	1/8	6-1/2	2-1/4	3/8-16
143T 145T	3-1/2	2-3/4	4	11/32	2-1/2	6-7/8	6-5/8	7/8	2-1/4	3/4	5-1/4	2-1/8	5-7/8	4-1/2	2-1/4	1/8	6-1/2	2-1/4	3/8-16
182 184 182T 184T	4-1/2	3-3/4	4-1/2	13/32	2-11/16	8-11/16	7-7/8	7/8	2-1/4	3/4	5-7/8	2-1/8	5-7/8	4-1/2	2-3/4	1/8	6-1/2	2-3/8	3/8-16 3/8-16
213 215 213T 215T	5-1/4	4-1/4	5-1/2	13/32	3-1/2	10-1/4	9-9/16	1-1/8	3	1	7-3/8	2-3/4	7-1/4	8-1/2	3-1/2	1/4	9	2-3/4	1/2-13
254U 256U 254T 256T	6-1/4	5	5-1/2	17/32	4-1/16	12-7/8	12-15/16	1-3/8	3-3/4	1	9-5/8	3-1/2	7-1/4	8-1/2	4-1/4	1/4	10	—	1/2-13
284U 286U 284T 286T 284TS 286TS	7	5-1/2	9-1/2	17/32	5-1/8	14-5/8	14-5/8	1-5/8	4-7/8	1-1/2	13-1/8	4-5/8	9	10-1/2	4-3/4	1/4	11-1/4	—	1/2-13
324U 326U 324T 326T 324TS 326TS	8	6-1/4	10-1/2	21/32	5-7/8	16-1/2	16-1/2	1-7/8	5-5/8	2	14-1/8	5-3/8	11	12-1/2	5-1/4	1/4	13-3/8	—	5/8-11
364U 365U 364T 365T 364TS 365TS	9	7	10-1/2	21/32	5-7/8	18-1/2	19-1/2	1-7/8	5-5/8	3	18-1/16	5-3/8	11	12-1/2	5-7/8	1/4	13-3/8	—	5/8-11
404U 405U 404T 405T 404TS 405TS	10	8	12-1/4	13/16	7-3/16	21-5/16	22-1/2	2-3/8	7-1/8	3	19-1/4	6-7/8	11	12-1/2	6-5/8	1/4	13-7/8	—	5/8-11
444U 445U 444T 445T 447T 449T 444TS 445TS 447TS 449TS	11	9	14-1/2	13/16	8-5/8	24.24	27.57	2-7/8	8-5/8	3	22.68	8-3/8	14	16	7-1/2	1/4	16-3/4	—	5/8-11

The above chart provides typical Baldor-Reliance motor dimensions. For more exact dimensional data, please check the specific drawing for each catalog number. NEMA states only a minimum value for AA dimension. AA dimensions shown in chart are Baldor typical values meeting or exceeding NEMA. Please check motor drawing for actual dimensions.

Frame L449T is not included in this chart. Please refer to the Large AC motor chart, or to the specific motor drawings for L449T dimensions.

NEMA C-Face	BA Dimensions
143-5TC	2-3/4
182-4TC	3-1/2
213-5TC	4-1/4
254-6TC	4-3/4

BALDOR ELECTRIC COMPANY
P.O. BOX 2400
FORT SMITH, ARKANSAS
72902-2400 U.S.A.

Frame	D	E	F	N	U	V	BA
66	4-1/8	2-15/16	2-1/2	2-1/4	3/4	2-1/4	3-1/8
203	5	4	2-3/4	2-7/16	3/4	2	3-1/8
224	5-1/2	4-1/2	3-3/8	3-1/4	1	3	3-1/2
225			3-3/4				
254	6-1/4	5	4-1/8	3-7/16	1-1/8	3-3/8	4-1/4
284	7	5-1/2	4-3/4	4-1/4	1-1/4	3-3/4	4-3/4
324	8	6-1/4	5-1/4	5-1/4	1-1/4	4	5-1/4
326			6	5-3/8	1-5/8	4-7/8	5-1/4
364	9	7	5-5/8	6-1/8	1-1/4	5-3/8	6-7/8
365			6-1/8				
404	10	8	6-1/8	6-3/8	2-1/8	6-1/8	6-5/8
405			6-7/8				
444	11	9	7-1/4	7-1/8	2-3/8	6-7/8	7-1/2
445			8-1/4				
447			8				
449			8				
504	12-1/2	10	9	8-5/8	2-7/8	8-3/8	8-1/2
505							