



Mounted Bearings, HubFlex<sup>®</sup>  
Couplings, Farm Products  
and Shaft Mount Reducers

A Regal Brand

**REGAL**

# What's Inside...

## Section N

DuraLine®  
Mounted Bearings

Over 300 NEW items

A competitive alternative  
without sacrificing reliability



## Section M

IndustrialLine™  
Mounted Bearings

Over 200 NEW items

Premium performance  
for rigorous applications



## Section O

CleanLine™ Plus  
and CleanLine™ UltraPlus™

50 NEW items

Ultimate pharmaceutical, food,  
meat processing and  
washdown solutions



## Section P

NEW

ModuLine®  
Spherical Roller  
Bearings

A modular design  
mounted bearing to  
handle the loads of  
demanding applications



## Section Q

NEW  
HubFlex®  
Flexible Shaft  
Couplings

Easy installation,  
low maintenance,  
minimal downtime



## Section R

Farm Products and  
Accessories

Hubs, shafts, couplings,  
PTO adapters and more,  
for applications on the  
farm and beyond



## Section G

PowerTorque® Shaft Mount  
Reducers

Rock solid dependability for  
the toughest applications in  
the industry



# At The Heart Of What Drives Your World...

Since 1892, HUB CITY has a reputation for producing tough, dependable driveline components for industry and agriculture worldwide. As a world-class manufacturer, HUB CITY provides the technology, expertise and support to perfectly integrate our products into your application. Whether your application requires a standard, modified standard or custom product, HUB CITY will always be at the heart of what drives your world.



*A multi-pallet machining center machines precisely and efficiently.*

## Leading Edge Engineering Team Brings You:

- Application engineers that provide advanced product designs and support to meet your exact requirements
- Advanced product design for diverse applications
- Custom designed prototypes for evaluation and testing
- Support from inception to completion of the product design through manufacturing

## State-of-the-Art Manufacturing with Capabilities Including:

- Extensive computer numerically controlled (CNC) machines for milling, turning, drilling, boring, threading, grinding, hobbing and gear cutting of barstock, forgings and castings
- Equipment supported by Direct Numerical Control (DNC), Computer-Aided Design and Manufacturing (CAD/CAM), and computer-based systems for Enterprise Resource Planning (ERP)
- Microprocessor-controlled heat treating that carburizes and hardens, through-hardens, induction hardens, or tempers and anneals a variety of materials



*State-of-the-art testing equipment and comprehensive product testing ensures quality.*

## World-Class Quality is Assured By:

- Design simplicity and structural integrity
- Comprehensive systems, procedures and work instructions in accordance with ISO-9000 standards
- State-of-the-art testing equipment and laboratory

## Dedicated Customer Service Means Support From:

- Two manufacturing facilities in South Dakota
- Eight Assembly/Distribution Centers conveniently located throughout North America
- Skilled customer service professionals committed to excellence in providing product information and prompt order processing



Hub City is proud to announce enhanced performance and improved lead times as a result of ongoing implementation of Lean Six Sigma Initiatives.



Many of our most sought after products are now available in 3 days or less!



# Hub City

## Standard Products

### Worms, Bevels, Parallels and Shaft Mount Reducers

Most items available in 3 days or less!



Worm Gear Drives	Ratios	5/1 to 216,000/1
Over 500 Standard Models		0.183 thru 100 HP
Spartan™ Aluminum Drives	Ratios	5/1 to 2,220/1
Modular Design Flexibility		0.183 thru 7.5 HP
Bevel Gear Drives	Ratios	1/1 to 7.33/1
Universal Mounting		0.016 thru 1,250 HP
PowerTorque®	Ratios	9/1, 15/1 and 25/1
Ten Competitively Sized Models		0.25 thru 200 HP
Parallel Shaft Drives	Ratios	1/1 to 70/1
Hydraulic, Electric or Shaft Input		2 thru 530 HP

### High Efficiency



Most items available in 3 - 5 days!

HERA® - High Efficiency	Ratios	7.8/1 to 58.92/1
Right Angle		0.74 thru 27.3 HP
Worm Gear Drive Replacement		
Helical Inline Drives	Ratios	2.25/1 to 3,334/1
Competitively Sized and Rated		0.14 thru 125 HP
Helical Bevel Drives	Ratios	6.5/1 to 3,413/1
High Capacity Gearing		0.25 thru 130 HP
Helical Worm Drives	Ratios	6/1 to 3,460/1
Universal Mounting Dimensions		0.25 thru 23 HP
Compact Helical Parallel	Ratios	3.42/1 to 3,377/1
Four Popular Models		0.25 thru 20 HP

### Cleanline™, Hub<sup>3</sup> and Washdown



Most items available in 5 to 7 days!

Hub <sup>3</sup> Stainless Steel Worm Gear Drives, Bevel Gear Drives, Helical Inline, Helical Bevel, and SS HERA®	Ratios	1/1 to 138/1
Smooth, Easy, No Clean Surfaces		0.25 thru 50 HP
CleanLine Plus™ Composite and CleanLine UltraPlus™		
Stainless Steel Mounted Bearings		Pillow Block & Flange
Smooth Exterior Surfaces		Bore Sizes to 1-15/16"
Corrosion Resistant Materials		

### Mounted Bearings



Most items available in 3 days or less!

IndustrialLine™ Mounted Bearing		Bore Sizes Range
Ball Bearing Pillow Blocks, Flange Blocks & Take-Up Units		1/2" thru 3-1/2"
DuraLine® Mounted Bearings		Bore Sizes Range
Economical Durability		1/2" thru 3-1/2"
ModuLine® Spherical Roller		Bore Sizes Range
Modular Design mounted bearing handles demanding load applications		1-7/16" thru 4-15/16"

### Couplings, Motors, Farm Products and Accessories



HubFlex® Flexible Couplings		Shaft Diameter
Hubs, Inserts & Covers		1/2" thru 4"
Electric Motors		Sizes Range
Single or Three Phase		1/4 thru 30 HP
Farm Products & Accessories		Capacity Range
Couplings, PTO Adapters		thru 125 HP
Splined Shafts		

HUB CITY provides technically advanced products to meet your custom application. Our engineering team offers complete support from design and prototypes to the manufactured unit.

## HUB CITY Custom Products Are Unlimited:

### Outdoor Power Equipment

- Used to power hand-held outdoor equipment such as: rubber paddle brooms, nylon bristle brushes & cultivator attachments

### Food Processing Machinery

- Powers beverage and bottling equipment
- Drives fruit and vegetable processors
- Used in meat and poultry processing plants
- Operates vibratory conveyors for the confectionary and baking industries

### Military Applications

- Used in military rocket launchers. It raises and lowers the canister, which contains the rockets, positioning them for firing.
- 1:1 spiral bevel gearing & 1.53:1 spiral bevel gearing
- Special paint & corrosion protection applied to all exposed surfaces

### Boom Rotation Drives

- Used for rotating the main boom in small utility and electrical maintenance vehicles
- Spur gear mates with internal or external gear teeth, which are part of the main rotation bearing
- Manufactured in several sizes and output flange configurations

### Packaging Equipment

- Suitable for production equipment and food processing
- Increases production in packaging machinery: shrink wrap & snack bagging applications, which crimp, seal and cut snack bags
- Manufactured with planetary gearing

### Spraying Equipment

- Operates spray pumps in recreational and commercial vehicles. The spray pumps are run by the low speed output shaft, and the double extended high speed input shaft transmits power to the vehicle differential.
- Utilizes our standard Model 180, 5:1, gear design in a special housing

### Monorail Drive

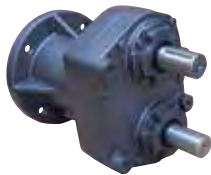
- Used in monorail and bottling conveyor application
- Ratios: 19.63:1 to 78.52:1
- Manufactured with or without disengage mechanisms

### Utility Truck Applications

- Used for operating air compressors, pumps, generators, etc.
- Manufactured in sizes specific to application

### Concrete Grinding and Finishing Equipment

- Powers the finishing tools for creating desired surface texture



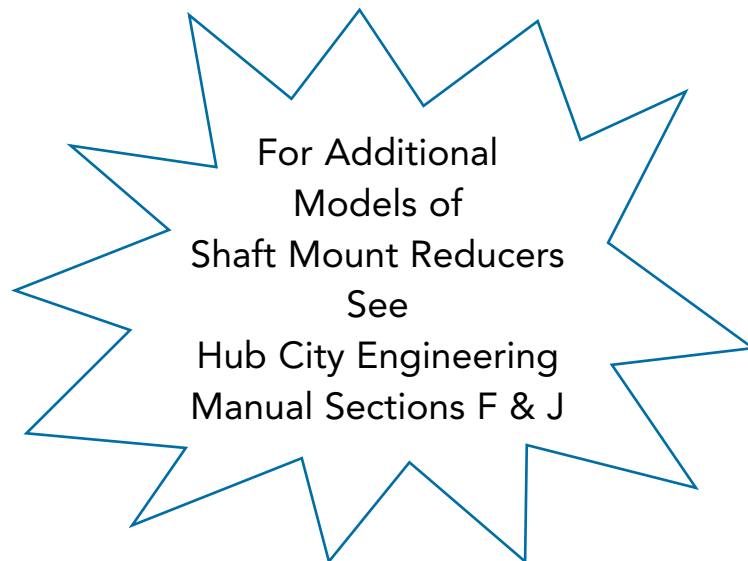
# Hub City

## Table of Contents

	Product	Description	Size Range	Section
	<b>PowerTorque® Shaft Mount Reducers</b>	<ul style="list-style-type: none"> <li>• Precision Hardened and Ground Gearing</li> <li>• Ductile Iron Housing</li> <li>• Screw Conveyor Adaptors</li> <li>• Competitive Interchangeability</li> </ul>	9:1 thru 25:1 Ratios .25 thru 200HP	<b>G</b>
	<b>IndustrialLine™ Mounted Bearings</b>	<ul style="list-style-type: none"> <li>• Ball Bearing Pillow Blocks, Flange Blocks &amp; Take-Up Units</li> <li>• Narrow &amp; Wide Inner Race</li> </ul>	Shaft Diameters 1/2" thru 3-12"	<b>M</b>
	<b>DuraLine® Mounted Bearings</b>	<ul style="list-style-type: none"> <li>• Ball Bearing Pillow Blocks and Flange Blocks</li> <li>• Setscrew &amp; Eccentric Locking</li> <li>• Narrow &amp; Wide Inner Race</li> </ul>	Shaft Diameters 1/2" thru 3-12"	<b>N</b>
	<b>CleanLine™ Washdown Pharmaceutical and Food Processing Solutions</b>	<ul style="list-style-type: none"> <li>• CleanLine UltraPlus Stainless Steel Mounted Bearings</li> <li>• CleanLine Plus Thermoplastic Composite Bearings</li> </ul>	Shaft Diameters 1/2" thru 1-15/16"	<b>O</b>
	<b>ModuLine® Spherical Roller Bearings</b>	<ul style="list-style-type: none"> <li>• Spherical Roller Pillow Blocks &amp; Flange Blocks</li> <li>• Cast Steel Housings</li> </ul>	Shaft Diameters 1-7/16" thru 4-15/16"	<b>P</b>
	<b>HubFlex® Flexible Shaft Couplings</b>	<ul style="list-style-type: none"> <li>• Hubs, Inserts &amp; Covers</li> <li>• Easy Installation</li> <li>• Carbon Steel &amp; Stainless Steel Hubs &amp; Covers</li> <li>• Urethane Inserts in 5 types for various applications</li> </ul>	Shaft Diameters 1/2" thru 4"	<b>Q</b>
	<b>Farm Products and Accessories</b>	<ul style="list-style-type: none"> <li>• Over-Running Couplers</li> <li>• Splined Couplings</li> <li>• Splined Shafts</li> <li>• P.TO. Drives &amp; Adaptors</li> </ul>	Up to 125 HP	<b>R</b>
<b>Warnings and Cautions</b> <b>Lubrication and Installation Instructions</b> <b>General Engineering</b>				<b>S</b>
<b>Terms and Conditions</b> <b>Model Index</b>				<b>T</b>

# Hub City PowerTorque® Shaft Mount Reducers

PowerTorque® Features and Description .....	G-2
Nomenclature .....	G-4
Selection Instructions .....	G-5
Selection By Horsepower .....	G-7
Mechanical Ratings .....	G-12
Dimensions .....	G-14
Accessories .....	G-15
Screw Conveyor Accessories .....	G-22



DOWNLOAD AVAILABLE CAD MODELS AT: [WWW.HUBCITYINC.COM](http://WWW.HUBCITYINC.COM)

**Certified prints are available upon request**

EMAIL: [hubsales@regalbeloit.com](mailto:hubsales@regalbeloit.com) • [www.hubcityinc.com](http://www.hubcityinc.com)

# Hub City PowerTorque® Shaft Mount Reducers

Ten models available from 1/4 HP through 200 HP capacity

## Manufacturing Quality

Manufactured to the highest quality standards in the industry, assembled using precision manufactured components made from top quality materials

Designed for the toughest applications in the industry

## Housings

High strength ductile iron housings, rather than cast iron material

## Gearing

High Efficiency gearing is manufactured from 8620 steel, case carburized, hardened to RC62, and precision ground, AGMA Class 11, rather than crowned and shaved

## Output Bores

Standard bores range from 1-7/16" through 5-7/16"

## Ratios

Ratios from 9:1, 15:1 and 25:1

## Shafts

Input shafts are machined from high strength alloy steel and hardened for premium load carrying capability

## Bearings

Tapered roller bearings are selected for optimum life and load carrying capability

## Seals

Double lip seals feature metal reinforcement and ride on precision ground shaft surfaces for longevity

98.5%  
Efficiency  
per Gear Stage!



## Lubrication

Ample lubrication is provided by abundant splash from the large oil sump

## Interchangeability

Dimensionally and mechanically interchangeable with most major brands

## Warranty

Backed by an 18 month warranty for assured dependable longevity while providing trouble free service

DOWNLOAD AVAILABLE CAD MODELS AT: [WWW.HUBCITYINC.COM](http://WWW.HUBCITYINC.COM)

Certified prints are available upon request

CALL: (605) 225-0360 • FAX: (605) 225-0567



# Hub City PowerTorque® Shaft Mount Reducers

## The Hub City Advantage

Hub City PowerTorque® Accessories complete the drive package by providing tapered bushings, backstops, and motor mounts. Screw conveyor drive accessories include adapter flanges and drive shafts.



### Tapered Bushing Kits

- Flanged bushing mount
- Removal screws allow for easy demounting
- Ductile iron material for shock resistance
- Clamp fit, no setscrews
- Split design eliminates seizing problems



### Backstop Assemblies

- Quick installation on input shaft
- Internally installed, sealed from contamination
- Lubricated by internal gear lubricant
- Designed to operate in either direction



### Motor Mounts

- All-Steel construction for rigidity
- Compact design eliminates need for motor base
- Top plate adjusts for easy tensioning of drive belt
- Mounting holes provided match NEMA standards



### Screw Conveyor Adapter Flanges

- Conform to CEMA standards
- Bolt-on design allows easy mounting
- Open center for contaminate dropout



### Screw Conveyor Drive Shafts

- Machined from high strength alloy steel
- Conform to CEMA dimensional standards
- Easy installation into standard hollow bore



### Belt Guards

- All-Steel construction
- Adjustable to fit a wide range of sheaves and motor frames
- Designed for easy installation, no drilling required

DOWNLOAD AVAILABLE CAD MODELS AT: [WWW.HUBCITYINC.COM](http://WWW.HUBCITYINC.COM)

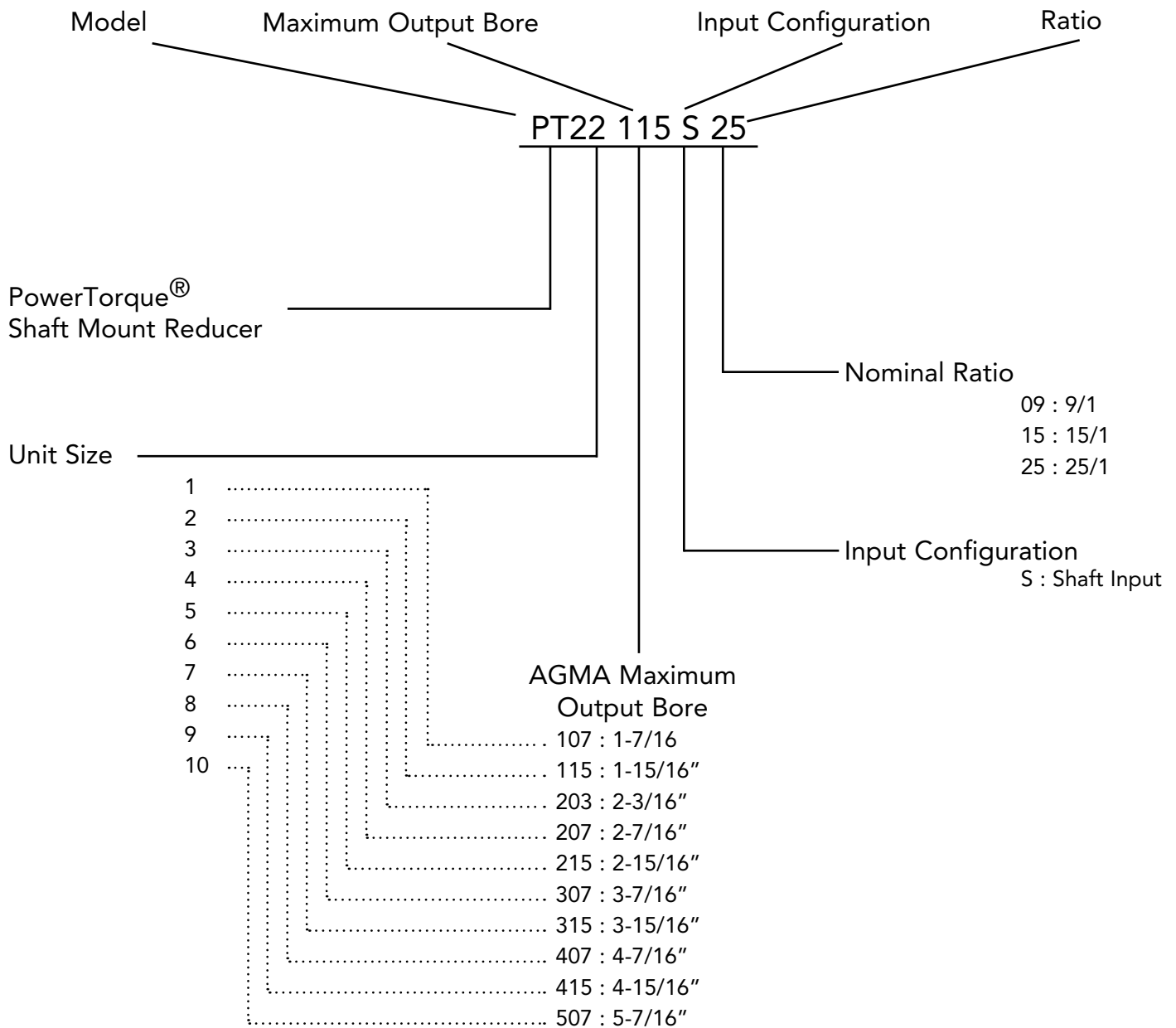
**Certified prints are available upon request**

EMAIL: [hubsales@regalbeloit.com](mailto:hubsales@regalbeloit.com) • [www.hubcityinc.com](http://www.hubcityinc.com)

# Hub City PowerTorque® Shaft Mount Reducers

## Description

### Descriptions For Ordering Shaft Mount Reducers



### Part Number Prefixes

- 0270-XXXXX Standard Assembly
- 0271-XXXXX Modified Assembly
- 0273-XXXXX Standard Service Part
- 0275-XXXXX Modified Service Part
- 0279-XXXXX Accessory Kit

DOWNLOAD AVAILABLE CAD MODELS AT: [WWW.HUBCITYINC.COM](http://WWW.HUBCITYINC.COM)

**Certified prints are available upon request**

CALL: (605) 225-0360 • FAX: (605) 225-0567

# Hub City PowerTorque® Shaft Mount Reducers

## Selection Procedure

Hub City PowerTorque® reducers are selected on the basis of input horsepower and output speed. There are ten double reduction PowerTorque® Models available in nominal ratios of 9:1, 15:1, and 25:1 with output

speeds to 200 RPM and ratings up to 200 HP. The selection tables have been established so that once the horsepower and driven speed are known the appropriate model can be readily selected.

### AGMA Load Classification

Determine the AGMA Load Classification Number for your application from the AGMA tables in Engineering Manual. In mechanical drives the presence of shock loads will usually reduce the life of the reducers. In order to provide optimum service in heavily loaded applications, it is necessary to use load classes to adjust the reducer ratings for the stresses created by different types of loads. The

### Numbers

AGMA Load Classes provide for a momentary or starting load of 2.0 times for Class I, 2.8 for Class II, and 4.0 for Class III. Refer to the AGMA tables in Engineering Manual. for further information and cautions on the selection of proper service factors

LOAD CLASS (S.F.)	UP TO 3 HRS. TOTAL OPERATION PER DAY	3 TO 10 HRS. TOTAL OPERATION PER DAY	OVER 10 HRS. TOTAL OPERATION PER DAY
I (1.0)	Moderate Shock Load	Uniform Load	
II (1.4)	Heavy Shock Load	Moderate Shock Load	Uniform Load
III (2.0)		Heavy Shock Load	Moderate Shock Load

### Select Reducer Size and Ratio

Refer to the applicable Selection Table for the AGMA Load Class I, II, or III on pages G-7 to G-11. Locate the

required HP and Output Speed, and read across to find the reducer size.

### Select Tapered Bushings

Compare the hollow shaft bore with the diameter of the driven shaft. If the driven shaft is smaller than the maximum bore for the reducer selected, select the proper tapered bushings from the table on page G-15 to adapt the hollow shaft bore to the diameter of

the driven shaft. If the driven shaft diameter is larger than the maximum bore for the reducer selected, it is necessary to either turn down the driven shaft, or select a larger reducer.

### Select Sheave Ratio

To determine the V-belt sheave ratio required to produce the desired output speed, use the following formula: sheave ratio = exact motor RPM / (output RPM X exact gear ratio).

Refer to the catalog of your chosen V-belt supplier to select the most economical V-belt drive to transmit the HP at the required output speed by following the selection procedure outlined in the V-belt catalog.

DOWNLOAD AVAILABLE CAD MODELS AT: [WWW.HUBCITYINC.COM](http://WWW.HUBCITYINC.COM)

**Certified prints are available upon request**

EMAIL: [hubsales@regalbeloit.com](mailto:hubsales@regalbeloit.com) • [www.hubcityinc.com](http://www.hubcityinc.com)



# Hub City PowerTorque® Shaft Mount Reducers

## Selection Procedure



Refer to the Minimum Diameter for Driven Sheaves listed in the Selection Tables to be certain that your driven sheave selection is larger than the minimum diameter recommended for the reducer selected.

### Accessories:

#### Select Motor Mount

Select the motor frame and motor mount size from the tables on page G-16 to G-19 based on the reducer size.

#### Select Belt Guards

Select belt guards from the tables on pages G-20 and G-21 based on the reducer size.

#### Select Screw Conveyor Drive Shaft and Adapter

Select the CEMA adapter and drive shaft from the tables on page G-22 based on the reducer size.

#### Select Backstop

Optional backstops are available for applications that require the prevention of reverse rotation. Select the backstop from the table on page G-15 based on the reducer size. Backstops are installed on the high speed pinion shaft by removing the cover on the back side (opposite side from the input shaft extension) of the housing.



Backstops are not recommended for applications involving energy absorption and shock or torque loads in excess of reducer ratings or on applications such as chair lifts, amusement rides, etc. where the safety of a person or property is dependent on their function. On such applications, other safety devices should be provided.

Backstops are designed to prevent rotation not more than five times in an 8 hour period with a minimum of one minute in the over-running direction between each engagement. If reversing operation is more frequent or over-running time is less, the application should be referred to the factory.



Lubricants with extreme pressure (EP) additives should not be used in units with backstops installed.

### Other Accessories Supplied Upon Request:

Cooling Fans  
Mounting Brackets  
Auxiliary Seal Kits

Note: A torque-arm assembly is supplied with all shaft mount reducers.

For Lubrication and Installation Instructions Refer to Section S.



# Hub City PowerTorque® Shaft Mount Reducers

## Selection By Input Horsepower

### Class I Service

HP	OUTPUT RPM	REDUCER SELECTION		MINIMUM SHEAVE DIA.
0.25	4 ~ 70	PT21107-25	PT21107-15	3.0
	71 ~ 85	PT21107-25	PT21107-15	3.0
	86 ~ 115	PT21107-15	PT21107-09	3.0/4.0
	116 ~ 140	PT21107-15	PT21107-09	3.0/4.0
	141 ~ 200	PT21107-09		4.0
0.33	5 ~ 70	PT21107-25	PT21107-15	3.0
	71 ~ 85	PT21107-25	PT21107-15	3.0
	86 ~ 115	PT21107-15	PT21107-09	3.0/4.0
	116 ~ 140	PT21107-15	PT21107-09	3.0/4.0
	141 ~ 200	PT21107-09		4.0
0.50	4 ~ 6	PT22115-25		3.0
	7 ~ 70	PT21107-25	PT21107-15	3.0
	71 ~ 85	PT21107-25	PT21107-15	3.0
	86 ~ 115	PT21107-15	PT21107-09	3.0/4.0
	116 ~ 140	PT21107-15	PT21107-09	3.0/4.0
0.75	4 ~ 5	PT23203-25		4.0
	6 ~ 10	PT22115-25		3.0
	11 ~ 70	PT21107-25	PT21107-15	3.0
	71 ~ 85	PT21107-25	PT21107-15	3.0
	86 ~ 115	PT21107-15	PT21107-09	3.0/4.0
1	116 ~ 140	PT21107-15	PT21107-09	3.0/4.0
	141 ~ 200	PT21107-09		4.0
	4 ~ 5	PT24207-25		4.6
	6 ~ 7	PT23203-25		4.0
	8 ~ 15	PT22115-25		3.0
1.5	16 ~ 70	PT21107-25	PT21107-15	3.0
	71 ~ 85	PT21107-25	PT21107-15	3.0
	86 ~ 115	PT21107-15	PT21107-09	3.0/4.0
	116 ~ 140	PT21107-15	PT21107-09	3.0/4.0
	141 ~ 200	PT21107-09		4.0
2	4 ~ 6	PT25215-25		5.4
	5 ~ 7	PT24207-25		4.6
	8 ~ 12	PT23203-25		4.0
	13 ~ 23	PT22115-25		3.0
	24 ~ 70	PT21107-25	PT21107-15	3.0
3	71 ~ 85	PT21107-25	PT21107-15	3.0
	86 ~ 115	PT21107-15	PT21107-09	3.0/4.0
	116 ~ 140	PT21107-15	PT21107-09	3.0/4.0
	141 ~ 200	PT21107-09		4.0
	4 ~ 5	PT26307-25		6.2
5	6 ~ 10	PT25215-25		5.4
	11 ~ 15	PT24207-25		4.6
	16 ~ 26	PT23203-25		4.0
	27 ~ 51	PT22115-25	PT22115-15	3.0
	52 ~ 70	PT21107-25	PT21107-15	3.0

HP	OUTPUT RPM	REDUCER SELECTION		MINIMUM SHEAVE DIA.
5 (con't.)	7 ~ 9	PT26307-25		6.2
	10 ~ 17	PT25215-25		5.4
	18 ~ 26	PT24207-25	PT24207-15	4.6
	27 ~ 46	PT23203-25	PT23203-15	4.0
	47 ~ 70	PT22115-25	PT22115-15	3.0
	71 ~ 85	PT22115-25	PT22115-15	3.0
	86 ~ 92	PT21107-09	PT22115-15	4.0/3.0
	93 ~ 115	PT21107-15	PT21107-09	3.0/4.0
	116 ~ 140	PT21107-15	PT21107-09	3.0/4.0
	141 ~ 200	PT21107-09		4.0
7.5	4 ~ 6	PT28407-25		6.2
	7 ~ 9	PT27315-25		6.2
	10 ~ 15	PT26307-25		6.2
	16 ~ 26	PT25215-25		5.4
	27 ~ 40	PT24207-25	PT24207-15	4.6
	41 ~ 70	PT23203-25	PT23203-15	4.0
	71 ~ 74	PT23203-25	PT23203-15	4.0
	75 ~ 85	PT22115-25	PT22115-15	3.0
	86 ~ 95	PT22115-15		3.0
	96 ~ 140	PT22115-15		3.0
10	141 ~ 200		PT22115-09	5.0
	4 ~ 6	PT29415-25		8.0
	6 ~ 8	PT28407-25		6.2
	9 ~ 12	PT27315-25		6.2
	13 ~ 20	PT26307-25		6.2
	21 ~ 36	PT25215-25	PT25215-15	5.4
	37 ~ 56	PT24207-25	PT24207-15	4.6
	57 ~ 70	PT23203-25	PT23203-15	4.0
	71 ~ 85	PT23203-25	PT23203-15	4.0
	86 ~ 103	PT23203-15	PT23203-09	4.0/5.0
15	104 ~ 115	PT22115-15		3.0
	116 ~ 140	PT22115-15		3.0
	141 ~ 158	PT23203-09		5.0
	159 ~ 200	PT23203-09		5.0
	4 ~ 6	PT210507-25		8.5
	7 ~ 8	PT29415-25		8.0
	9 ~ 13	PT28407-25		6.2
	14 ~ 19	PT27315-25		6.2
	20 ~ 32	PT26307-25	PT26307-15	6.2
	33 ~ 56	PT25215-25	PT25215-15	5.4
20	57 ~ 70	PT24207-25	PT24207-15	4.6
	71 ~ 85	PT24207-25	PT24207-15	4.6
	86 ~ 93	PT24207-15	PT24207-09	4.6/6.5
	94 ~ 115	PT23203-15	PT23203-09*	4.0/5.0
	116 ~ 140	PT23203-15	PT23203-09*	4.0/5.0
	141 ~ 145		PT23203-09*	5.0
	146 ~ 200		PT23203-09*	5.0
	7 ~ 8	PT210507-25		8.5
	9 ~ 12	PT29415-25		8.0
	13 ~ 18	PT28407-25		6.2
25	19 ~ 26	PT27315-25	PT27315-15	6.2
	27 ~ 45	PT26307-25	PT26307-15	6.2
	46 ~ 70	PT25215-25	PT25215-15	5.4
	71 ~ 78	PT25215-25	PT25215-15	5.4
	79 ~ 85	PT24207-25	PT24207-15	4.6
	86 ~ 115	PT24207-15	PT24207-09*	4.6/6.5
	116 ~ 140	PT24207-15*	PT24207-09*	4.6/6.5
	141 ~ 200		PT23203-09*	5.0
	8 ~ 10	PT210507-25		8.5
	11 ~ 15	PT29415-25		8.0

\*Additional Cooling Provisions May Be Required. consult Factory with Application Details.

DOWNLOAD AVAILABLE CAD MODELS AT: [WWW.HUBCITYINC.COM](http://WWW.HUBCITYINC.COM)

**Certified prints are available upon request**

EMAIL: [hubsales@regalbeloit.com](mailto:hubsales@regalbeloit.com) • [www.hubcityinc.com](http://www.hubcityinc.com)



PowerTorque® Shaft Mount Reducers



# Hub City PowerTorque® Shaft Mount Reducers

## Selection By Input Horsepower

### Class I Service cont.

HP	OUTPUT RPM	REDUCER SELECTION	MINIMUM SHEAVE DIA.	
25 (con't.)	16 ~ 23	PT28407-25	6.2	
	24 ~ 33	PT27315-25 PT27315-15	6.2	
	34 ~ 59	PT26307-25 PT26307-15	6.2	
	60 ~ 70	PT25215-25* PT25215-15*	5.4	
	71 ~ 80	PT25215-25* PT25215-15*	5.4	
	81 ~ 101	PT25215-15* PT25215-09*	5.4	
	102 ~ 132	PT24207-15* PT24207-09*	4.6/6.5	
	133 ~ 140	PT24207-15* PT24207-09*	4.6/6.5	
	141 ~ 163	PT24207-09*	6.5	
	164 ~ 200	PT24207-09*	6.5	
30	10 ~ 13	PT210507-25	8.5	
	14 ~ 19	PT29415-25	8.0	
	20 ~ 28	PT28407-25 PT28407-15	6.2	
	29 ~ 41	PT27315-25 PT27315-15	6.2	
	42 ~ 70	PT26307-25 PT26307-15	6.2	
	71 ~ 75	PT26307-25 PT26307-15	6.2	
	76 ~ 115	PT25215-15* PT25215-09*	5.4/7.0	
	116 ~ 125	PT25215-15* PT25215-09*	5.4/7.0	
	126 ~ 131	PT24207-09*	6.5	
	132 ~ 200	PT24207-09*	6.5	
40	13 ~ 18	PT210507-25	8.5	
	19 ~ 25	PT29415-25 PT29415-15	8.0	
	26 ~ 38	PT28407-25 PT28407-15	6.2	
	39 ~ 57	PT27315-25 PT27315-15	6.2	
	58 ~ 70	PT26307-25 PT26307-15	6.2	
	71 ~ 81	PT26307-25* PT26307-15*	6.2	
	82 ~ 114	PT26307-15* PT26307-09*	6.2/7.0	
	115 ~ 125	PT25215-15* PT25215-09*	5.4/7.0	
	126 ~ 200	PT25215-09*	7.0	
	50	16 ~ 22	PT210507-25	8.5
23 ~ 32		PT29415-25 PT29415-15	8.0	
33 ~ 49		PT28407-25 PT28407-15	6.2	
50 ~ 70		PT27315-25 PT27315-15	6.2	
71 ~ 74		PT27315-25 PT27315-15	6.2	
75 ~ 125		PT26307-15* PT27315-09*	6.2/7.0	
126 ~ 163		PT27315-09*	7.0	
164 ~ 200		PT26307-09*	7.0	
60		19 ~ 27	PT210507-25	8.5
		28 ~ 39	PT29415-25 PT29415-15	8.0
	40 ~ 60	PT28407-25 PT28407-15	6.2	
	61 ~ 70	PT27315-25* PT27315-15*	6.2	
	71 ~ 120	PT27315-15* PT27315-09*	6.2/7.0	
	121 ~ 131	PT27315-09*	7.0	
	132 ~ 200	PT27315-09*	7.0	
	75	24 ~ 34	PT210507-25	8.5
35 ~ 50		PT29415-25 PT29415-15	8.0	
51 ~ 70		PT28407-25 PT28407-15	6.2	
71 ~ 78		PT28407-15*	6.2	
79 ~ 120		PT27315-15* PT27315-09*	6.2/7.0	
121 ~ 200		PT27315-09*	7.0	
100	32 ~ 46	PT210507-25	8.5	
	47 ~ 69	PT29415-25* PT29415-15*	8.0	
	70 ~ 120	PT28407-15*	6.2	
	121 ~ 123	PT27315-09*	7.0	
	124 ~ 200	PT27315-09*	7.0	
125	41 ~ 59	PT210507-25	8.5	
	60 ~ 70	PT29415-25* PT29415-15*	8.0	
	71 ~ 90	PT29415-15*	8.0	
	91 ~ 123	PT28407-15*	6.2	
150	50 ~ 70	PT210507-25	8.5	
	71 ~ 78	PT210507-25*	8.5	
	79 ~ 120	PT29415-15	8.0	

### Class II Service

HP	OUTPUT RPM	REDUCER SELECTION	MINIMUM SHEAVE DIA.	
0.25	5 ~ 70	PT21107-25 PT21107-15	3.0	
	71 ~ 85	PT21107-25 PT21107-15	3.0	
	86 ~ 115	PT21107-15 PT21107-09	3.0/4.0	
	116 ~ 140	PT21107-15 PT21107-09	3.0/4.0	
	141 ~ 200	PT21107-09	4.0	
0.33	4 ~ 6	PT22115-25	3.0	
	7 ~ 70	PT21107-25 PT21107-15	3.0	
	71 ~ 85	PT21107-25 PT21107-15	3.0	
	86 ~ 115	PT21107-15 PT21107-09	3.0/4.0	
	116 ~ 140	PT21107-15 PT21107-09	3.0/4.0	
0.5	141 ~ 200	PT21107-09	4.0	
	4 ~ 5	PT23203-25	4.0	
	6 ~ 9	PT22115-25	3.0	
	10 ~ 70	PT21107-25 PT21107-15	3.0	
	71 ~ 85	PT21107-25 PT21107-15	3.0	
	86 ~ 115	PT21107-15 PT21107-09	3.0/4.0	
	116 ~ 140	PT21107-15 PT21107-09	3.0/4.0	
	141 ~ 200	PT21107-09	4.0	
	0.75	4 ~ 5	PT24207-25	4.6
		6 ~ 8	PT23203-25	4.0
9 ~ 16		PT22115-25	3.0	
17 ~ 70		PT21107-25 PT21107-15	3.0	
71 ~ 85		PT21107-25 PT21107-15	3.0	
86 ~ 115		PT21107-15 PT21107-09	3.0/4.0	
116 ~ 140		PT21107-15 PT21107-09	3.0/4.0	
141 ~ 200		PT21107-09	4.0	
1		5 ~ 7	PT24207-25	4.6
		8 ~ 11	PT23203-25	4.0
	12 ~ 22	PT22115-25	3.0	
	23 ~ 70	PT21107-25 PT21107-15	3.0	
	71 ~ 85	PT21107-25 PT21107-15	3.0	
	86 ~ 115	PT21107-15 PT21107-09	3.0/4.0	
	116 ~ 140	PT21107-15 PT21107-09	3.0/4.0	
	141 ~ 200	PT21107-09	4.0	
	1.5	5 ~ 6	PT25215-25	5.4
		7 ~ 11	PT24207-25	4.6
12 ~ 18		PT23203-25	4.0	
19 ~ 34		PT22115-25 PT22115-15	3.0	
35 ~ 70		PT21107-25 PT21107-15	3.0	
71 ~ 85		PT21107-25 PT21107-15	3.0	
86 ~ 115		PT21107-15 PT21107-09	3.0/4.0	
116 ~ 140		PT21107-15 PT21107-09	3.0/4.0	
141 ~ 200		PT21107-09	4.0	
2		4 ~ 5	PT26307-25	6.2
	6 ~ 9	PT25215-25	5.4	
	10 ~ 14	PT24207-25	4.6	
	15 ~ 24	PT23203-25 PT23203-15	4.0	
	25 ~ 47	PT22115-25 PT22115-15	3.0	
	48 ~ 70	PT21107-25 PT21107-15	3.0	
	71 ~ 85	PT21107-25 PT21107-15	3.0	
	86 ~ 115	PT21107-15 PT21107-09	3.0/4.0	
	116 ~ 140	PT21107-15 PT21107-09	3.0/4.0	
	141 ~ 200	PT21107-09	4.0	
3	4 ~ 5	PT27315-25	6.2	
	6 ~ 8	PT26307-25	6.2	
	9 ~ 14	PT25215-25	5.4	
	15 ~ 22	PT24207-25 PT24207-15	4.6	
	23 ~ 38	PT23203-25 PT23203-15	4.0	
	39 ~ 70	PT22115-25 PT22115-15	3.0	
	71 ~ 75	PT22115-25 PT22115-15	3.0	
	76 ~ 85	PT21107-25 PT21107-15	3.0	
	86 ~ 115	PT21107-15 PT21107-09	3.0/4.0	

\*Additional Cooling Provisions May Be Required. consult Factory with Application Details.

DOWNLOAD AVAILABLE CAD MODELS AT: [WWW.HUBCITYINC.COM](http://WWW.HUBCITYINC.COM)

**Certified prints are available upon request**

CALL: (605) 225-0360 • FAX: (605) 225-0567

# Hub City PowerTorque® Shaft Mount Reducers

## Selection By Input Horsepower

### Class II Service cont.

HP	OUTPUT RPM	REDUCER SELECTION		MINIMUM SHEAVE DIA.	
3 (con't.)	116 ~ 140	PT21107-15	PT21107-09	3.0/4.0	
	141 ~ 200	PT21107-09		4.0	
	4 ~ 6	PT28407-25		6.2	
5	7 ~ 8	PT27315-25		6.2	
	9 ~ 14	PT26307-25		6.2	
	15 ~ 24	PT25215-25		5.4	
	25 ~ 37	PT24207-25	PT24207-15	4.6	
	38 ~ 69	PT23203-25	PT23203-15	4.0	
	70 ~ 85	PT22115-25	PT22115-15	3.0	
	86 ~ 89	PT22115-15	PT22115-09	3.0/5.0	
	90 ~ 136	PT22115-15	PT22115-09	3.0/5.0	
	137 ~ 140	PT21107-15	PT22115-09	3.0/5.0	
	141 ~ 200	PT21107-09		4.0	
	7.5	5	PT29415-25		8.0
6 ~ 9		PT28407-25		6.2	
10 ~ 13		PT27315-25		6.2	
14 ~ 21		PT26307-25		6.2	
22 ~ 38		PT25215-25	PT25215-15	5.4	
39 ~ 59		PT24207-25	PT24207-15	4.6	
60 ~ 70		PT23203-25	PT23203-15	4.0	
71 ~ 85		PT23203-25	PT23203-15	4.0	
86 ~ 110		PT23203-15	PT23203-09	4.0/5.0	
111 ~ 122		PT22115-15	PT23203-09	3.0/5.0	
123 ~ 140		PT22115-15	PT23203-09	3.0/5.0	
141 ~ 183			PT23203-09	5.0	
184 ~ 200			PT22115-09	5.0	
10		5	PT210507-25		8.5
		6 ~ 7	PT29415-25		8.0
	8 ~ 12	PT28407-25		6.2	
	13 ~ 18	PT27315-25		6.2	
	19 ~ 29	PT26307-25	PT26307-15	6.2	
	30 ~ 52	PT25215-25	PT25215-15	5.4	
	53 ~ 70	PT24207-25	PT24207-15	4.6	
	71 ~ 84	PT24207-25	PT24207-15	4.6	
	85 ~ 130	PT23203-15	PT23203-09	4.0/5.0	
	131 ~ 140	PT23203-15	PT23203-09	4.0/5.0	
	141 ~ 200		PT23203-09	5.0	
	15	7 ~ 9	PT210507-25		8.5
		10 ~ 12	PT29415-25		8.0
13 ~ 19		PT28407-25		6.2	
20 ~ 27		PT27315-25		6.2	
28 ~ 47		PT26307-25	PT26307-15	6.2	
48 ~ 70		PT25215-25	PT25215-15	5.4	
71 ~ 82		PT25215-25	PT25215-15	5.4	
83 ~ 117		PT24207-15	PT24207-09	4.6/6.5	
118 ~ 140		PT24207-15	PT24207-09	4.6/6.5	
141 ~ 150			PT24207-09	6.5	
151 ~ 200			PT23203-09*	5.0	
20		9 ~ 12	PT210507-25		8.5
	13 ~ 17	PT29415-25		8.0	
	18 ~ 26	PT28407-25		6.2	
	27 ~ 38	PT27315-25	PT27315-15	6.2	
	39 ~ 68	PT26307-25	PT26307-15	6.2	
	69 ~ 80	PT25215-25	PT25215-15	5.4	
	81 ~ 89		PT25215-15	5.4	
	91 ~ 117	PT25215-15*	PT25215-09*	5.4/7.0	
	118 ~ 125	PT24207-15*	PT24207-09*	4.6/6.5	
	126 ~ 200		PT24207-09*	6.5	

HP	OUTPUT RPM	REDUCER SELECTION		MINIMUM SHEAVE DIA.	
25	11 ~ 15	PT210507-25		8.5	
	16 ~ 22	PT29415-25		8.0	
	23 ~ 33	PT28407-25	PT28407-15	6.2	
	34 ~ 49	PT27315-25	PT27315-15	6.2	
	50 ~ 80	PT26307-25	PT26307-15	6.2	
	81 ~ 94	PT26307-15	PT26307-09	6.2/7.0	
	95 ~ 125	PT25215-15*	PT25215-09*	5.4/7.0	
	126 ~ 174		PT25215-09*	7.0	
	175 ~ 200		PT24207-09*	6.5	
30	13 ~ 19	PT210507-25		8.5	
	20 ~ 27	PT29415-25	PT29415-15	8.0	
	28 ~ 41	PT28407-25	PT28407-15	6.2	
	42 ~ 60	PT27315-25	PT27315-15	6.2	
	61 ~ 76	PT26307-25	PT26307-15	6.2	
	77 ~ 89	PT26307-15	PT26307-09	6.2/7.0	
	90 ~ 125	PT26307-15*	PT26307-09*	6.2/7.0	
	126 ~ 200		PT25215-09*	7.0	
40	18 ~ 25	PT210507-25		8.5	
	26 ~ 36	PT29415-25	PT29415-15	8.0	
	37 ~ 56	PT28407-25	PT28407-15	6.2	
	57 ~ 75	PT27315-25	PT27315-15	6.2	
	76 ~ 88		PT27315-15	6.2	
	89 ~ 114	PT26307-15*		6.2	
	115 ~ 120	PT26307-15*	PT26307-09*	6.2/7.0	
	121 ~ 200		PT26307-09*	7.0	
	50	22 ~ 32	PT210507-25		8.5
		33 ~ 46	PT29415-25	PT29415-15	8.0
47 ~ 70		PT28407-25	PT28407-15	6.2	
71 ~ 72		PT28407-25		6.2	
73 ~ 95			PT27315-15*	6.2	
96 ~ 110		PT27315-15*	PT27315-09	6.2/7.0	
111 ~ 120		PT27315-15*	PT27315-09*	6.2/7.0	
121 ~ 179			PT27315-09*	7.0	
180 ~ 200			PT26307-09*	7.0	
60		27 ~ 39	PT210507-25		8.5
		40 ~ 56	PT29415-25	PT29415-15	8.0
		57 ~ 70	PT28407-25	PT28407-15	6.2
	71 ~ 75	PT28407-25	PT28407-15	6.2	
	76 ~ 89		PT28407-15	6.2	
	90 ~ 120	PT27315-15*	PT27315-09*	6.2/7.0	
	121 ~ 200		PT27315-09*	7.0	
75	34 ~ 49	PT210507-25		8.5	
	50 ~ 73	PT29415-25	PT29415-15	8.0	
	74 ~ 75	PT28407-25	PT28407-15	6.2	
	76 ~ 120		PT28407-15*	6.2	
	121 ~ 133		PT27315-09*	7.0	
	134 ~ 200		PT27315-09*	7.0	
	100	46 ~ 67	PT210507-25		8.5
		68 ~ 75	PT29415-25*	PT29415-15*	8.0
76 ~ 103			PT29415-15*	8.0	
104 ~ 120			PT28407-15*	6.2	
181 ~ 200			PT27315-09*	7.0	
125		59 ~ 79	PT210507-25*		8.5
	80 ~ 120		PT29415-15*	8.0	
150	73 ~ 75	PT210507-25*		8.5	

\*Additional Cooling Provisions May Be Required. consult Factory with Application Details.

DOWNLOAD AVAILABLE CAD MODELS AT: [WWW.HUBCITYINC.COM](http://WWW.HUBCITYINC.COM)

Certified prints are available upon request

EMAIL: [hubsales@regalbeloit.com](mailto:hubsales@regalbeloit.com) • [www.hubcityinc.com](http://www.hubcityinc.com)



# Hub City PowerTorque® Shaft Mount Reducers

## Selection By Input Horsepower

### Class III Service

HP	OUTPUT RPM	REDUCER SELECTION	MINIMUM SHEAVE DIA.
0.25	4 ~ 6	PT22115-25	3.0
	7 ~ 70	PT21107-25 PT21107-15	3.0
	71 ~ 85	PT21107-25 PT21107-15	3.0
	86 ~ 89	PT21107-15 PT21107-09	3.0/4.0
	90 ~ 115	PT21107-15 PT21107-09	3.0/4.0
	116 ~ 140	PT21107-15 PT21107-09	3.0/4.0
	141 ~ 200	PT21107-09	4.0
0.33	5 ~ 9	PT22115-25	3.0
	10 ~ 70	PT21107-25 PT21107-15	3.0
	71 ~ 85	PT21107-25 PT21107-15	3.0
	86 ~ 115	PT21107-15 PT21107-09	3.0/4.0
	116 ~ 140	PT21107-15 PT21107-09	3.0/4.0
0.50	4 ~ 5	PT24207-25	4.6
	6 ~ 7	PT23203-25	4.0
	8 ~ 15	PT22115-25	3.0
	16 ~ 70	PT21107-25 PT21107-15	3.0
	71 ~ 85	PT21107-25 PT21107-15	3.0
	86 ~ 115	PT21107-15 PT21107-09	3.0/4.0
	116 ~ 140	PT21107-15 PT21107-09	3.0/4.0
	141 ~ 200	PT21107-09	4.0
0.75	4	PT25215-25	5.4
	5 ~ 7	PT24207-25	4.6
	8 ~ 12	PT23203-25	4.0
	13 ~ 23	PT22115-25	3.0
	24 ~ 70	PT21107-25 PT21107-15	3.0
	71 ~ 85	PT21107-25 PT21107-15	3.0
	86 ~ 115	PT21107-15 PT21107-09	3.0/4.0
	116 ~ 140	PT21107-15 PT21107-09	3.0/4.0
	141 ~ 200	PT21107-09	4.0
1.00	4 ~ 6	PT25215-25	5.4
	7 ~ 10	PT24207-25	4.6
	11 ~ 17	PT23203-25	4.0
	18 ~ 32	PT22115-25	3.0
	33 ~ 70	PT21107-25 PT21107-15	3.0
	71 ~ 85	PT21107-25 PT21107-15	3.0
	86 ~ 115	PT21107-15 PT21107-09	3.0/4.0
	116 ~ 140	PT21107-15 PT21107-09	3.0/4.0
1.5	4 ~ 5	PT26307-25	6.2
	6 ~ 10	PT25215-25	5.4
	11 ~ 15	PT24207-25	4.6
	16 ~ 26	PT23203-25	4.0
	27 ~ 51	PT22115-25 PT22115-15	3.0
	52 ~ 70	PT21107-25 PT21107-15	3.0
	71 ~ 85	PT21107-25 PT21107-15	3.0
	86 ~ 115	PT21107-15 PT21107-09	3.0/4.0
	116 ~ 140	PT21107-15 PT21107-09	3.0/4.0
	141 ~ 200	PT21107-09	4.0

HP	OUTPUT RPM	REDUCER SELECTION	MINIMUM SHEAVE DIA.
2	5 ~ 7	PT26307-25	6.2
	8 ~ 13	PT25215-25	5.4
	14 ~ 21	PT24207-25	4.6
	22 ~ 36	PT23203-25 PT23203-15	4.0
	37 ~ 71	PT22115-25 PT22115-15	3.0
	72 ~ 85	PT21107-25 PT21107-15	3.0
	86 ~ 115	PT21107-15 PT21107-09	3.0/4.0
	116 ~ 140	PT21107-15 PT21107-09	3.0/4.0
	141 ~ 200	PT21107-09	4.0
3	4 ~ 5	PT28407-25	6.2
	6 ~ 7	PT27315-25	6.2
	8 ~ 12	PT26307-25	6.2
	13 ~ 20	PT25215-25	5.4
	21 ~ 32	PT24207-25 PT24207-15	4.6
	33 ~ 57	PT23203-25 PT23203-15	4.0
	58 ~ 70	PT22115-25 PT22115-15	3.0
	71 ~ 85	PT22115-25 PT22115-15	3.0
	86 ~ 89	PT22115-15 PT22115-09	3.0/5.0
	90 ~ 113	PT22115-15 PT22115-09	3.0/5.0
	114 ~ 140	PT21107-15 PT21107-09	3.0/4.0
	141 ~ 200	PT21107-09	4.0
	5	5	PT29415-25
6 ~ 8		PT28407-25	6.2
9 ~ 12		PT27315-25	6.2
13 ~ 20		PT26307-25	6.2
21 ~ 36		PT25215-25 PT25215-15	5.4
37 ~ 56		PT24207-25 PT24207-15	4.6
57 ~ 70		PT23203-25 PT23203-15	4.0
71 ~ 85		PT23203-25 PT23203-15	4.0
86 ~ 103		PT23203-15 PT23203-09	4.0/5.0
104 ~ 114		PT22115-15 PT23203-09	3.0/5.0
115 ~ 140		PT22115-15 PT22115-09	3.0/5.0
141 ~ 167		PT22115-09	5.0
168 ~ 200		PT22115-09	5.0
7.5	5 ~ 6	PT210507-25	8.5
	7 ~ 8	PT29415-25	8.0
	9 ~ 13	PT28407-25	6.2
	14 ~ 19	PT27315-25	6.2
	20 ~ 32	PT26307-25 PT26307-15	6.2
	33 ~ 56	PT25215-25 PT25215-15	5.4
	57 ~ 70	PT24207-25 PT24207-15	4.6
	71 ~ 85	PT24207-25 PT24207-15	4.6
	86 ~ 93	PT24207-15 PT24207-09	4.6/6.5
	94 ~ 140	PT23203-15 PT23203-09	4.0/5.0
	141 ~ 144	PT23203-09	5.0
	145 ~ 200	PT23203-09	5.0

\*Additional Cooling Provisions May Be Required. consult Factory with Application Details.

DOWNLOAD AVAILABLE CAD MODELS AT: [WWW.HUBCITYINC.COM](http://WWW.HUBCITYINC.COM)

Certified prints are available upon request

CALL: (605) 225-0360 • FAX: (605) 225-0567



# Hub City PowerTorque® Shaft Mount Reducers

## Selection By Input Horsepower

### Class III Service cont.

HP	OUTPUT RPM	REDUCER SELECTION	MINIMUM SHEAVE DIA.
10	7 ~ 8	PT210507-25	8.5
	9 ~ 12	PT29415-25	8.0
	13 ~ 18	PT28407-25	6.2
	19 ~ 26	PT27315-25 PT27315-15	6.2
	27 ~ 45	PT26307-25 PT26307-15	6.2
	46 ~ 70	PT25215-25 PT25215-15	5.4
	71 ~ 78	PT25215-25 PT25215-15	5.4
	79 ~ 92	PT24207-15	4.6
	93 ~ 105	PT24207-15 PT24207-09	4.6/6.5
	106 ~ 141	PT24207-15 PT24207-09	4.6/6.5
	142 ~ 200	PT23203-09	5.0
15	10 ~ 13	PT210507-25	8.5
	14 ~ 19	PT29415-25	8.0
	20 ~ 28	PT28407-25 PT28407-15	6.2
	29 ~ 41	PT27315-25 PT27315-15	6.2
	42 ~ 70	PT26307-25 PT26307-15	6.2
	71 ~ 75	PT26307-25 PT26307-15	6.2
	76 ~ 93	PT25215-15	5.4
	94 ~ 115	PT25215-15 PT25215-09	5.4/7.0
	116 ~ 125	PT25215-15 PT25215-09	5.4/7.0
	126 ~ 131	PT25215-09	7.0
	132 ~ 200	PT24207-09	6.5
20	13 ~ 18	PT210507-25	8.5
	19 ~ 25	PT29415-25 PT29415-15	8.0
	26 ~ 38	PT28407-25 PT28407-15	6.2
	39 ~ 57	PT27315-25 PT27315-15	6.2
	58 ~ 70	PT26307-25 PT26307-15	6.2
	71 ~ 114	PT26307-15 PT26307-09	6.2/7.0
	115 ~ 125	PT25215-15* PT25215-09*	5.4/7.0
	126 ~ 200	PT25215-09*	7.0
25	16 ~ 22	PT210507-25	8.5
	23 ~ 32	PT29415-25 PT29415-15	8.0
	33 ~ 49	PT28407-25 PT28407-15	6.2
	50 ~ 70	PT27315-25 PT27315-15	6.2
	71 ~ 74	PT27315-25 PT27315-15	6.2
	75 ~ 104	PT26307-15	6.2
	105 ~ 113	PT26307-15* PT26307-09	6.2/7.0
	114 ~ 125	PT26307-15* PT26307-09*	6.2/7.0
126 ~ 200	PT26307-09*	7.0	
30	19 ~ 27	PT210507-25	8.5
	28 ~ 39	PT29415-25 PT29415-15	8.0
	40 ~ 60	PT28407-25 PT28407-15	6.2
	61 ~ 70	PT27315-25 PT27315-15	6.2
	71 ~ 98	PT27315-15	6.2
	99 ~ 125	PT26307-15	6.2
	126 ~ 131	PT26307-09*	7.0
	132 ~ 200	PT26307-09*	7.0

HP	OUTPUT RPM	REDUCER SELECTION	MINIMUM SHEAVE DIA.
40	26 ~ 37	PT210507-25	8.5
	38 ~ 53	PT29415-25 PT29415-15	8.0
	54 ~ 70	PT28407-25 PT28407-15	6.2
	71 ~ 84	PT28407-15	6.2
	85 ~ 89	PT27315-15 PT27315-09	6.2/7.0
	90 ~ 120	PT27315-15* PT27315-09	6.2/7.0
	121 ~ 200	PT27315-09*	7.0
	50	32 ~ 46	PT210507-25
47 ~ 69		PT29415-25 PT29415-15	8.0
70 ~ 75		PT28407-25 PT28407-15	6.2
76 ~ 110		PT28407-15	6.2
111 ~ 120		PT27315-15* PT27315-09*	6.2/7.0
121 ~ 123		PT27315-09*	7.0
60	124 ~ 200	PT27315-09*	7.0
	39 ~ 56	PT210507-25	8.5
	57 ~ 75	PT29415-25 PT29415-15	8.0
	76 ~ 85	PT29415-15	8.0
	86 ~ 115	PT28407-15	6.2
	142 ~ 161	PT27315-09*	7.0
	162 ~ 200	PT27315-09*	7.0
75	50 ~ 72	PT210507-25	8.5
	73 ~ 75	PT29415-25* PT29415-15*	8.0
	76 ~ 120	PT29415-15*	8.0

\*Additional Cooling Provisions May Be Required. consult Factory with Application Details.

DOWNLOAD AVAILABLE CAD MODELS AT: [WWW.HUBCITYINC.COM](http://WWW.HUBCITYINC.COM)

**Certified prints are available upon request**

EMAIL: [hubsales@regalbeloit.com](mailto:hubsales@regalbeloit.com) • [www.hubcityinc.com](http://www.hubcityinc.com)



PowerTorque® Shaft Mount Reducers



# Hub City PowerTorque® Shaft Mount Reducers

## Mechanical Ratings

OUTPUT RPM	PT21107		PT22115		PT23203		PT24207	
	ACTUAL RATIO 8.92:1		ACTUAL RATIO 9.25:1		ACTUAL RATIO 8.91:1		ACTUAL RATIO 9.68:1	
	INPUT HP	OUTPUT TORQUE (IN-LB)	INPUT HP	OUTPUT TORQUE (IN-LB)	INPUT HP	OUTPUT TORQUE (IN-LB)	INPUT HP	OUTPUT TORQUE (IN-LB)
200	9.1	2753	11.6	3494	30.1	9118	45.0	13598
190	8.8	2802	11.0	3503	28.7	9133	42.7	13604
180	8.5	2857	10.4	3503	27.2	9150	40.6	13630
170	8.3	2954	9.9	3506	25.8	9165	38.3	13635
160	8.0	3025	9.3	3513	24.3	9178	36.1	13663
150	7.6	3066	8.7	3517	22.8	9193	33.9	13666
140	7.2	3112	8.1	3518	21.3	9205	31.7	13700
120	6.4	3227	7.0	3529	18.3	9247	27.3	13739
100	5.6	3388	5.9	3539	15.3	9281	22.8	13783

### 15/1 Nominal Ratio

OUTPUT RPM	PT21107		PT22115		PT23203		PT24207		PT25215	
	ACTUAL RATIO 15.35:1		ACTUAL RATIO 14.10:1		ACTUAL RATIO 14.88:1		ACTUAL RATIO 15.13:1		ACTUAL RATIO 15.40:1	
	INPUT HP	OUTPUT TORQUE (IN-LB)	INPUT HP	OUTPUT TORQUE (IN-LB)	INPUT HP	OUTPUT TORQUE (IN-LB)	INPUT HP	OUTPUT TORQUE (IN-LB)	INPUT HP	OUTPUT TORQUE (IN-LB)
140	7.5	3220	11.6	5013	19.7	8496	31.8	13743		
130	7.0	3235	11.0	5124	18.7	8689	30.2	14051	44.0	20464
120	6.5	3252	10.4	5249	17.7	8899	28.6	14395	41.6	20955
100	5.4	3291	9.2	5548	15.5	9402	25.1	15205	36.6	22132
80	4.4	3343	7.8	5929	13.3	10051	20.5	15497	31.3	23657
60	3.4	3398	6.4	6464	10.5	10558	15.7	15822	25.6	25805
40	2.3	3479	4.8	7306	7.2	10891	10.7	16215	18.2	27529
30	1.7	3509	3.9	7765	5.4	10951	8.2	16457	13.9	27973
20	1.2	3570	2.6	7896	3.7	11133	5.5	16760	9.6	28891

### 25/1 Nominal Ratio

OUTPUT RPM	PT21107		PT22115		PT23203		PT24207		PT25215	
	ACTUAL RATIO 23.93:1		ACTUAL RATIO 23.46:1		ACTUAL RATIO 24.71:1		ACTUAL RATIO 24.38:1		ACTUAL RATIO 25.56:1	
	INPUT HP	OUTPUT TORQUE (IN-LB)	INPUT HP	OUTPUT TORQUE (IN-LB)	INPUT HP	OUTPUT TORQUE (IN-LB)	INPUT HP	OUTPUT TORQUE (IN-LB)	INPUT HP	OUTPUT TORQUE (IN-LB)
85	4.7	3310	8.1	5787	14.2	10093	21.5	15332	32.6	23234
75	4.2	3348	7.5	6067	12.7	10245	19.3	15570	29.9	24121
65	3.7	3398	6.8	6339	11.2	10416	17.0	15824	27.1	25179
55	3.1	3454	6.1	6655	9.6	10594	14.7	16116	24.1	26468
45	2.6	3496	5.2	7018	8.0	10810	12.2	16457	20.2	27133
35	2.1	3578	4.2	7174	6.4	11029	9.7	16837	16.1	27797
25	1.5	3654	3.0	7357	4.6	11205	7.2	17328	11.8	28630
15	0.94	3792	1.9	7543	2.8	11415	4.4	17788	7.3	29244
5	0.32	3872	0.65	7866	1.0	11617	1.5	18030	2.5	30131

DOWNLOAD AVAILABLE CAD MODELS AT: [WWW.HUBCITYINC.COM](http://WWW.HUBCITYINC.COM)

**Certified prints are available upon request**

CALL: (605) 225-0360 • FAX: (605) 225-0567

# Hub City PowerTorque® Shaft Mount Reducers

## Mechanical Ratings

### 9/1 Nominal Ratio

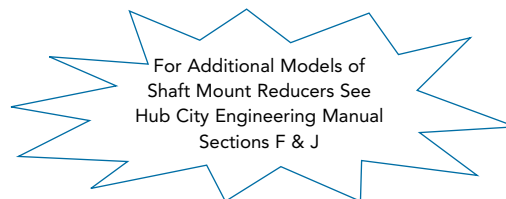
OUTPUT RPM	PT25215		PT26307		PT27315	
	ACTUAL RATIO 8.96:1		ACTUAL RATIO 9.21:1		ACTUAL RATIO 9.62:1	
	INPUT HP	OUTPUT TORQUE (IN-LB)	INPUT HP	OUTPUT TORQUE (IN-LB)	INPUT HP	OUTPUT TORQUE (IN-LB)
200	68.0	20577	95.3	28839	151	45535
190	64.7	20594	90.7	28895	145	46066
180	61.4	20642	86.0	28914	139	46605
170	58.1	20664	81.4	28978	132	47150
160	54.7	20681	76.7	28997	126	47700
150	51.3	20700	72.1	29066	119	48173
140	48.0	20762	67.3	29085	114	49423
120	41.3	20803	57.9	29183	99.8	50339
100	34.6	20904	48.4	29290	84.8	51313

### 15/1 Nominal Ratio

OUTPUT RPM	PT26307		PT27315		PT28407		PT29415	
	ACTUAL RATIO 15.33:1		ACTUAL RATIO 15.23:1		ACTUAL RATIO 15.08:1		ACTUAL RATIO 15.12:1	
	INPUT HP	OUTPUT TORQUE (IN-LB)	INPUT HP	OUTPUT TORQUE (IN-LB)	INPUT HP	OUTPUT TORQUE (IN-LB)	INPUT HP	OUTPUT TORQUE (IN-LB)
140								
130	82.9	38583						
120	77.1	38894	100	50596	163	82270	236	118795
100	65.4	39576	88.4	53473	139	83883	200	121208
80	53.4	40364	75.7	57222	113	85711	164	124018
60	41.0	41294	60.3	60756	87.2	87973	126.3	127391
40	28.1	42444	41.4	62561	60.0	90741	87.0	131626
30	21.4	43180	31.6	63711	45.9	92490	66.6	134258
20	15.0	45227	21.5	65072	31.3	94628	45.5	137526

### 25/1 Nominal Ratio

OUTPUT RPM	PT26307		PT27315		PT28407		PT29415		PT210507	
	ACTUAL RATIO 25.13:1		ACTUAL RATIO 24.59:1		ACTUAL RATIO 24.62:1		ACTUAL RATIO 25.97:1		ACTUAL RATIO 24.30:1	
	INPUT HP	OUTPUT TORQUE (IN-LB)	INPUT HP	OUTPUT TORQUE (IN-LB)	INPUT HP	OUTPUT TORQUE (IN-LB)	INPUT HP	OUTPUT TORQUE (IN-LB)	INPUT HP	OUTPUT TORQUE (IN-LB)
85	56.0	39890								
75	50.3	40578	72.1	58197	105	84706	155	124800	216	174252
65	44.4	41338	63.7	59331	94.4	87908	135.8	126425	193.2	179827
55	38.4	42188	55.1	60614	81.8	90008	116.6	128290	166.0	182590
45	32.1	43160	45.2	60706	68.2	91697	97.0	130460	138.2	185801
35	25.6	44306	36.4	62838	53.4	92260	76.9	132867	109.5	189343
25	18.9	45620	26.2	63408	38.5	93128	56.1	135795	80.1	193831
15	11.8	47395	16.0	64699	23.6	94991	34.6	139563	49.5	199542
5	4.0	48282	5.4	65223	8.5	102252	12.0	145452	17.2	208497



DOWNLOAD AVAILABLE CAD MODELS AT: [WWW.HUBCITYINC.COM](http://WWW.HUBCITYINC.COM)

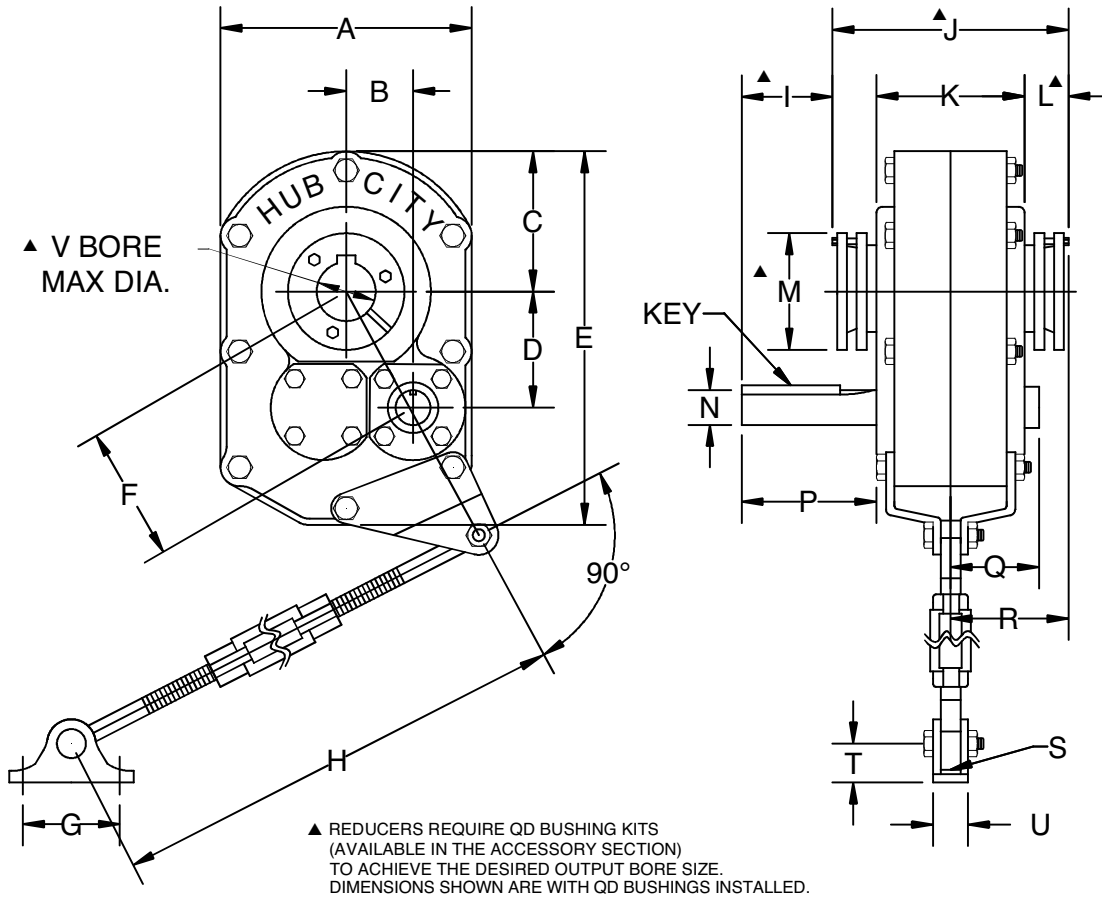
**Certified prints are available upon request**

EMAIL: [hubsales@regalbeloit.com](mailto:hubsales@regalbeloit.com) • [www.hubcityinc.com](http://www.hubcityinc.com)



# Hub City PowerTorque® Shaft Mount Reducers

## Dimensions



MODEL	A	B	C	D	E	F	G	H MIN/MAX	I	J	K
PT21107	7.13	1.91	3.75	3.18	9.94	3.71	2.50	23.81/29.63	2.03	7.06	4.06
PT22115	8.38	2.14	4.09	3.75	11.41	4.32	3.00	26.94/32.94	2.22	7.32	4.50
PT23203	9.25	2.33	4.84	4.17	12.88	4.78	3.00	26.94/32.94	2.34	9.22	5.63
PT24207	10.38	2.76	5.50	4.79	15.13	5.53	4.00	29.19/35.14	3.44	9.98	6.13
PT25215	13.13	3.04	6.56	5.67	18.31	6.43	4.00	29.19/35.19	3.44	10.52	6.31
PT26307	15.43	4.09	7.56	6.73	21.31	7.88	4.75	29.19/35.19	3.73	11.53	6.88
PT27315	18.75	5.11	9.38	8.30	25.94	9.74	4.75	29.44/35.44	3.75	12.85	7.75
PT28407	20.25	6.03	10.13	9.50	28.25	11.25	7.00	30.00/36.00	4.31	14.03	8.37
PT29415	22.63	6.59	11.31	10.81	31.69	12.66	7.00	30.00/36.00	3.63	14.12	8.12
PT210507	25.50	6.59	12.75	12.50	35.08	14.13	7.00	30.00/36.00	6.53	15.30	9.34

MODEL	L	M	Q	R	S	T	U	V MAX DIA	INPUT SHAFT			APPROX. WEIGHT (LB)
									N DIA	P	KEY	
PT21107	1.30	3.25	2.67	3.55	.38	.94	1.06	1-7/16	0.750	2.70	3/16x3/16x1-29/32	45
PT22115	1.40	4.06	2.89	3.68	0.44	1.06	1.25	1 15/16	1.125	3.75	1/4x1/4x1-15/16	58
PT23203	1.59	4.38	3.30	3.72	0.44	1.06	1.25	2 3/16	1.250	3.89	1/4x1/4x2-13/16	98
PT24207	1.72	4.81	3.41	3.91	0.50	1.75	1.44	2 7/16	1.438	5.21	3/8x3/8x4	139
PT25215	1.91	5.63	4.45	5.05	0.50	1.75	1.44	2 15/16	1.938	5.36	1/2x1/2x4	207
PT26307	2.30	6.13	4.57	5.73	0.63	2.00	2.75	3 7/16	2.188	5.69	1/2x1/2x4-13/32	285
PT27315	2.50	7.25	4.69	6.38	0.63	2.00	2.75	3 15/16	2.438	5.90	5/8x5/8x4-1/2	462
PT28407	2.86	7.75	5.85	7.04	0.75	3.13	4.00	4 7/16	2.438	6.64	5/8x5/8x5-5/16	633
PT29415	2.98	8.75	5.66	7.04	0.75	3.13	4.00	4 5/16	2.438	9.26	5/8x5/8x6-1/2	760
PT210507	2.99	10.13	6.96	7.66	0.75	3.13	4.00	5 7/16	2.688	9.09	5/8x5/8x7-11/16	1020

For Lubrication and Installation Instructions Refer to Section S.

DOWNLOAD AVAILABLE CAD MODELS AT: [WWW.HUBCITYINC.COM](http://WWW.HUBCITYINC.COM)

**Certified prints are available upon request**

CALL: (605) 225-0360 • FAX: (605) 225-0567



# Hub City PowerTorque® Shaft Mount Reducers

## Accessories

### Tapered Bushing Kits

- Flanged bushing mount
- Removal screws allow for easy demounting
- Ductile iron material for shock resistance
- Clamp fit, no setscrews
- Split design eliminates seizing problems
- Kits include two bushings, key and mounting hardware



SHAFT MOUNT MODEL	BORE SIZE	PART NUMBER	WEIGHT (LBS.)	SHAFT MOUNT MODEL	BORE SIZE	PART NUMBER	WEIGHT (LBS.)
PT21107	1-7/16	0279-00001	2.8	PT26307	3-7/16	0279-00076	9
	1-3/8	0279-00002	2.9		3	0279-00077	11.4
	1-5/16	0279-00003	2.9		2-15/16	0279-00078	11.7
	1-1/4	0279-00004	3.0		2-7/16	0279-00082	12.4
1-15/16	0279-00016	3	3-15/16		0279-00091	12.9	
PT22115	1-3/4	0279-00017	3.4	PT27315	3-7/16	0279-00092	13.9
	1-11/16	0279-00018	3.5		3-3/16	0279-00093	16.8
	1-5/8	0279-00019	3.6		3	0279-00094	19.2
	2-3/16	0279-00031	3.7		4-7/16	0279-00106	15.1
PT23203	2	0279-00032	4.3	PT28407	4-3/16	0279-00107	17.4
	1-15/16	0279-00033	4.6		3-15/16	0279-00108	20.2
	1-7/8	0279-00034	4.8		3-7/16	0279-00109	25.6
	2-7/16	0279-00046	5.9		4-15/16	0279-00120	25
PT24207	2-1/4	0279-00047	6.4	PT29415	4-7/16	0279-00121	27
	2-3/16	0279-00048	6.8		3-15/16	0279-00122	28
	2-1/8	0279-00049	7.1		3-7/16	0279-00123	30
	2-15/16	0279-00061	7.8		5-7/16	0279-00136	28
PT25215	2-11/16	0279-00062	7.9	PT210507	4-15/16	0279-00137	33
	2-1/2	0279-00063	8.5		4-7/16	0279-00138	36
	2-7/16	0279-00064	8.6		3-15/16	0279-00139	40

### Backstop Kits

- Quick installation on input shaft
- Internally installed, sealed from contamination
- Lubricated by internal gear lubricant
- Designed to operate in either direction



SHAFT MOUNT MODEL	PART NUMBER	WEIGHT (LBS.)
PT21107 & PT22115	0279-00166	1
PT22115*	0279-00167	1
PT23203	0279-00166	1
PT24207	0279-00169	1.2
PT25215	0279-00170	2.2
PT26307	0279-00171	2.5
PT27315	0279-00172	2.8
PT28407 & PT29415	0279-00173	3.8
PT210507	0279-00175	6

\* Use for PT2115 without end caps (ball bearing)

DOWNLOAD AVAILABLE CAD MODELS AT: [WWW.HUBCITYINC.COM](http://WWW.HUBCITYINC.COM)

**Certified prints are available upon request**

EMAIL: [hubsales@regalbeloit.com](mailto:hubsales@regalbeloit.com) • [www.hubcityinc.com](http://www.hubcityinc.com)



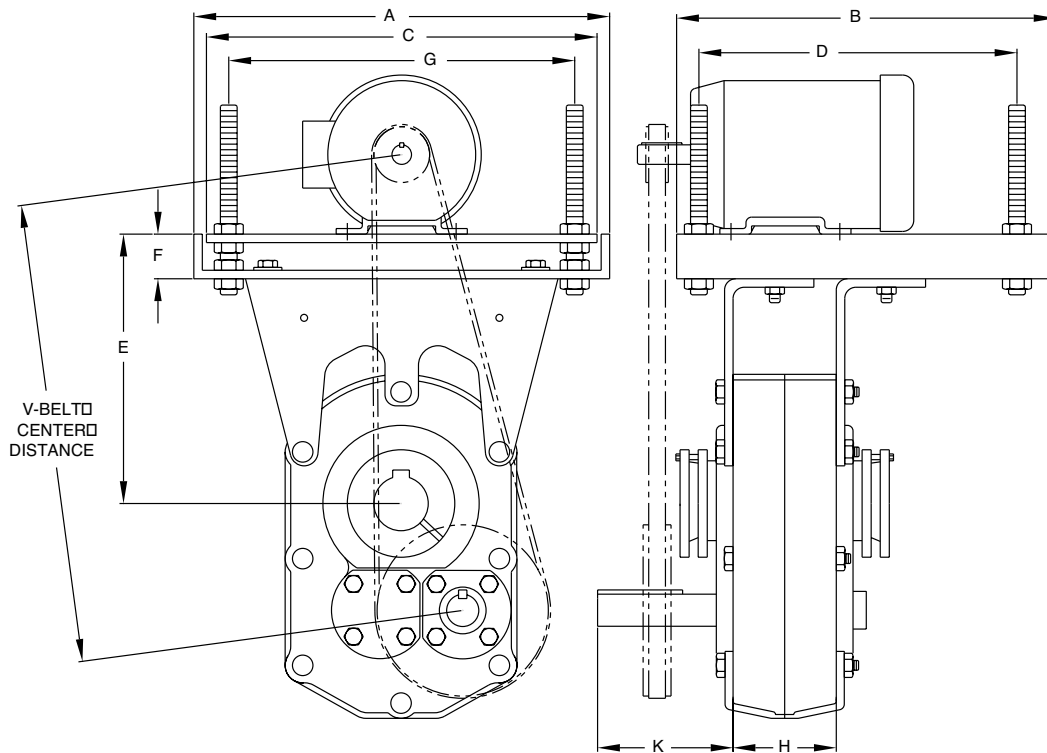
# Hub City PowerTorque® Shaft Mount Reducers

## Accessories

### Vertical Motor Mounts



All-Steel construction for rigidity  
Compact design eliminates need for motor base  
Top plate adjusts for easy tensioning of drive belt  
Mounting holes provided match NEMA standards



NOTE: SHIELDS/GUARDS NOT SHOWN FOR ILLUSTRATION PURPOSES

DOWNLOAD AVAILABLE CAD MODELS AT: [WWW.HUBCITYINC.COM](http://WWW.HUBCITYINC.COM)

**Certified prints are available upon request**

CALL: (605) 225-0360 • FAX: (605) 225-0567

# Hub City PowerTorque® Shaft Mount Reducers

## Accessories

### Vertical Motor Mounts

VERTICAL MOTOR MOUNTS																
SHAFT MOUNT	PART NUMBER	NEMA MOTOR	V-BELT CENTER DISTANCE FOR NEMA MOTOR FRAMES													
			56-140 MIN	56-140 MAX	180 MIN	180 MAX	210 MIN	210 MAX	250 MIN	250 MAX	280 MIN	280 MAX	320 MIN	320 MAX	360 MIN	360 MAX
PT21107	0279-00180	56C-215T	17.6	21.0	18.5	22.0	19.3	22.7								
PT22115	0279-00181	56C-215T	18.7	22.1	19.7	23.1	20.5	23.9								
PT23203	0279-00182	56C-215T	20.2	23.6	21.2	24.6	22.0	25.3								
PT23203	0279-00183	143T-286T	20.4	23.8	21.4	24.8	22.2	25.5	23.2	26.5	23.9	27.2				
PT24207	0279-00184	143T-286T	21.2	25.2	22.2	26.2	23.0	26.9	23.9	27.9	24.7	28.7				
PT24207	0279-00189	143T-326T	21.3	25.3	22.3	26.3	23.1	27.0	24.0	28.0	24.8	28.8	25.8	29.8		
PT25215	0279-00185	143T-286T	22.7	26.6	23.7	27.6	24.4	28.4	25.4	29.4	26.2	30.1				
PT25215	0279-00186	143T-326T	22.8	26.7	23.8	27.7	24.5	28.5	25.5	29.5	26.3	30.2	27.3	31.2		
PT26307	0279-00187	143T-326T	25.9	29.7	26.9	30.7	31.4	37.6	28.6	32.4	29.4	33.2	30.4	34.2		
PT27315	0279-00188	143T-365T	30.6	34.4	31.6	35.4	32.4	36.2	33.4	37.2	34.1	37.9	35.1	38.9	36.1	39.9
PT28407	0279-00190	143T-365T	31.9	36.4	32.9	37.4	33.7	38.2	34.7	39.2	35.4	39.9	36.4	40.9	37.4	41.9
PT29415	0279-00191	143T-365T	32.0	35.8	33.0	36.8	33.8	37.6	34.8	38.6	32.8	39.3	36.5	40.3	37.5	41.4
PT210507	0279-00193	143T-365T	33.5	37.3	34.5	38.3	35.3	39.1	36.3	40.1	34.3	40.8	38.0	41.8	39.0	42.9

SHAFT MOUNT	PART NUMBER	WEIGHT (LBS.)	A	B	C	D	E		F	G	H	J	K
							MIN	MAX					
PT21107	0279-00180	35	14.63	11.00	13.50	9.25	10.0	14.2	1.59	12.00	3.38	5/8x7	3.88
PT22115	0279-00181	35	14.63	11.00	13.50	9.25	10.6	14.8	1.59	12.00	3.38	5/8x7	4.18
PT23203	0279-00182	35	14.63	11.00	13.50	9.25	11.6	15.9	1.59	12.00	4.25	5/8x8	4.88
PT23203	0279-00183	77	18.63	17.00	17.50	14.25	11.8	16.0	1.78	15.50	4.25	3/4x8	4.88
PT24207	0279-00184	87	18.63	17.00	17.50	14.25	12.0	16.7	1.78	15.50	4.63	3/4x8	6.13
PT24207	0279-00189	121	20.50	18.50	19.25	16.50	12.0	16.8	1.84	17.50	4.63	3/4x8	6.13
PT25215	0279-00185	84	18.63	17.00	17.50	14.25	12.5	17.3	1.78	15.50	4.13	3/4x8	6.65
PT25215	0279-00186	118	20.50	18.50	19.25	16.50	12.5	17.3	1.84	17.50	4.13	3/4x8	6.65
PT26307	0279-00187	118	20.50	18.50	19.25	16.50	14.6	19.3	1.84	17.50	4.50	3/4x8	7.31
PT27315	0279-00188	148	22.50	19.00	21.25	16.50	17.6	22.1	2.50	19.25	4.75	1x9	7.81
PT28407	0279-00190	148	22.50	19.00	21.25	16.50	18.3	22.8	2.50	19.25	4.75	1x9	8.81
PT29415	0279-00191	125	22.50	19.00	21.25	16.50	19.0	23.5	2.50	19.25	5.40	1x9	11.08
PT210507	0279-00193	135	22.50	19.00	21.25	16.50	20.5	25.0	2.50	19.25	6.18	1x9	11.15

### Vertical Long Motor Mounts

VERTICAL LONG MOTOR MOUNTS																
SHAFT MOUNT	PART NUMBER	NEMA MOTOR	V-BELT CENTER DISTANCE FOR NEMA MOTOR FRAMES													
			56-140 MIN	56-140 MAX	180 MIN	180 MAX	210 MIN	210 MAX	250 MIN	250 MAX	280 MIN	280 MAX	320 MIN	320 MAX	360 MIN	360 MAX
PT21107	0279-00196	56C-215T	20.6	24.0	21.5	25.0	22.3	25.7								
PT22115	0279-00197	56C-215T	21.7	25.1	22.7	26.1	23.5	26.9								
PT23203	0279-00198	56C-215T	23.2	26.6	24.2	27.6	25.0	28.3								
PT23203	0279-00199	143T-286T	23.4	26.8	24.4	27.8	25.2	28.5	26.2	29.5	26.9	30.2				
PT24207	0279-00200	143T-286T	25.7	29.7	26.7	30.7	27.5	31.4	28.4	32.4	29.2	33.2				
PT24207	0279-00201	143T-326T	25.8	29.8	26.8	30.8	27.6	31.5	28.5	32.5	29.3	33.3	30.3	34.3		
PT25215	0279-00202	143T-286T	29.5	33.4	30.5	34.4	31.2	35.2	32.2	36.2	33.0	36.9				
PT25215	0279-00203	143T-326T	29.5	33.4	30.5	34.4	31.2	35.2	32.2	36.2	33.0	36.9	34.0	37.9		
PT26307	0279-00204	143T-326T	39.9	43.7	40.9	44.7	45.4	51.6	42.6	46.4	43.4	47.2	44.4	48.2		
PT27315	0279-00205	143T-365T	45.6	49.4	46.6	50.4	47.4	51.2	48.4	52.2	49.1	52.9	50.1	53.9	51.1	54.9
PT28407	0279-00206	143T-365T	44.9	49.4	45.9	50.4	46.7	51.2	47.7	52.2	48.4	52.9	49.4	53.9	50.4	54.9

SHAFT MOUNT	PART NUMBER	WEIGHT (LBS.)	A	B	C	D	E		F	G	H	J	K
							MIN	MAX					
PT21107	0279-00196	41	14.63	11.00	13.50	9.25	13.0	17.2	1.59	12.00	3.38	5/8x7	3.88
PT22115	0279-00197	41	14.63	11.00	13.50	9.25	13.6	17.8	1.59	12.00	3.38	5/8x7	4.18
PT23203	0279-00198	41	14.63	11.00	13.50	9.25	14.6	18.8	1.59	12.00	4.25	5/8x8	4.88
PT23203	0279-00199	83	18.63	17.00	17.50	14.25	14.8	19.0	1.78	15.50	4.25	3/4x8	4.88
PT24207	0279-00200	95	18.63	17.00	17.50	14.25	16.5	21.2	1.78	15.50	4.63	3/4x8	6.13
PT24207	0279-00201	129	20.50	18.50	19.25	16.50	16.5	21.3	1.84	17.50	4.63	3/4x8	6.13
PT25215	0279-00202	106	18.63	17.00	17.50	14.25	19.3	24.0	1.78	15.50	4.13	3/4x8	6.65
PT25215	0279-00203	137	20.50	18.50	19.25	16.50	19.3	24.0	1.84	17.50	4.13	3/4x8	6.65
PT26307	0279-00204	142	20.50	18.50	19.25	16.50	28.6	33.3	1.84	17.50	4.50	3/4x8	7.31
PT27315	0279-00205	206	22.50	19.00	21.25	16.50	32.5	37.2	2.50	19.25	4.75	1x9	7.81
PT28407	0279-00206	206	22.50	19.00	21.25	16.50	31.6	36.1	2.50	19.25	4.75	1x9	8.81

DOWNLOAD AVAILABLE CAD MODELS AT: WWW.HUBCITYINC.COM

Certified prints are available upon request

EMAIL: hubsales@regalbeloit.com • www.hubcityinc.com



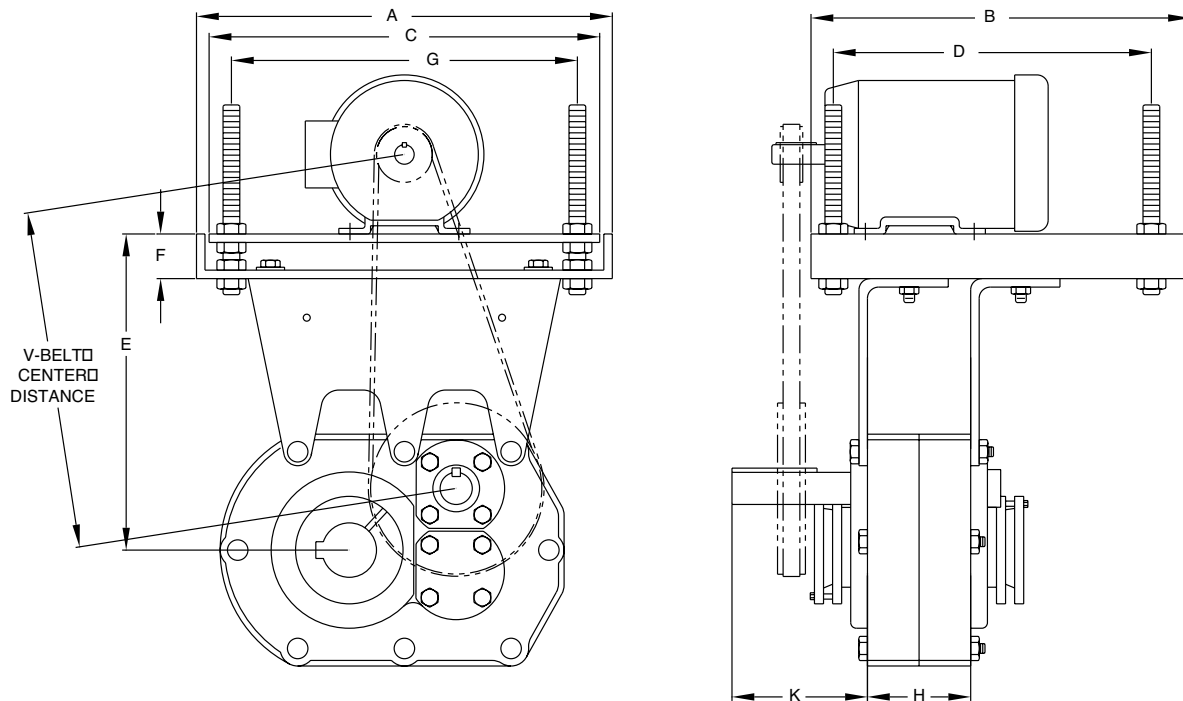
# Hub City PowerTorque® Shaft Mount Reducers

## Accessories

### Horizontal Motor Mounts



All-Steel construction for rigidity  
Compact design eliminates need for motor base  
Top plate adjusts for easy tensioning of drive belt  
Mounting holes provided match NEMA standards



NOTE: SHIELDS/GUARDS NOT SHOWN FOR ILLUSTRATION PURPOSES

DOWNLOAD AVAILABLE CAD MODELS AT: [WWW.HUBCITYINC.COM](http://WWW.HUBCITYINC.COM)

**Certified prints are available upon request**

CALL: (605) 225-0360 • FAX: (605) 225-0567



# Hub City PowerTorque® Shaft Mount Reducers

## Accessories

### Horizontal Motor Mounts

HORIZONTAL MOTOR MOUNTS				V-BELT CENTER DISTANCE FOR NEMA MOTOR FRAMES												SHAFT	
PART MOUNT	NEMA NUMBER	SCREW MOTOR	56-140 DIAMETERS	56-140 MIN	180 MAX	180 MIN	180 MAX	210 MIN	210 MAX	250 MIN	250 MAX	280 MIN	280 MAX	320 MIN	320 MAX	360 MIN	360 MAX
PT21107	0279-00270	56C-215T	6 - 12	13.5	17.0	14.5	18	15.3	19.0								
PT22115	0279-00271	56C-215T	6 - 14	14.9	18.3	15.9	19.3	16.6	20.0								
PT23203	0279-00272	56C-215T	6 - 16	15.8	19.3	16.8	20.3	17.6	21.0								
PT23203	0279-00273	143T-286T	6 - 16	16.0	19.5	17.0	20.5	17.8	21.2	18.8	22.2	19.6	22.9				
PT24207	0279-00274	143T-286T	9 - 18	16.9	21.0	17.9	22.0	18.6	22.7	19.6	23.7	20.4	24.5				
PT24207	0279-00275	143T-326T	9 - 18	16.9	21.0	17.9	22.0	18.6	22.7	19.6	23.7	20.4	24.5	21.4	25.4		
PT25215	0279-00276	143T-286T	9 - 18	16.6	20.7	17.6	21.7	18.4	22.4	19.4	23.4	20.0	24.2				
PT25215	0279-00277	143T-326T	9 - 18	16.6	20.7	17.6	21.7	18.4	22.4	19.4	23.4	20.0	24.2	21.1	25.2		
PT26307	0279-00278	143T-326T	12 - 20	17.0	21.0	18.0	22.0	18.8	22.8	19.7	23.8	20.5	24.5	21.5	25.5		
PT27315	0279-00279	143T-365T	12 - 20	22.1	25.6	23.1	26.5	23.8	27.3	24.8	28.3	25.6	29.0	26.6	30.0	27.5	31.0
PT28407	0279-00280	143T-365T	NA	16.1	20.6	17.1	21.6	17.9	22.4	18.9	23.4	19.6	24.1	20.6	25.1	21.6	26.1

SHAFT MOUNT	PART NUMBER	WEIGHT (LBS.)	A	B	C	D	E		F	G	H	J	K
							MIN	MAX					
PT21107	0279-00270	39	14.63	11.00	13.50	9.25	11.1	15.3	1.59	12.00	3.38	5/8x7	3.88
PT22115	0279-00271	40	14.63	11.00	13.50	9.25	12.6	16.8	1.59	12.00	3.38	5/8x7	4.18
PT23203	0279-00272	41	14.63	11.00	13.50	9.25	13.8	18.0	1.59	12.00	4.25	5/8x8	4.88
PT23203	0279-00273	83	18.63	17.00	17.50	14.25	14.0	18.2	1.78	15.50	4.25	3/4x8	4.88
PT24207	0279-00274	97	18.63	17.00	17.50	14.25	15.3	20.1	1.78	15.50	4.63	3/4x8	6.13
PT24207	0279-00275	121	20.50	18.50	19.25	16.50	15.3	20.1	1.84	17.50	4.63	3/4x8	6.13
PT25215	0279-00276	95	18.63	17.00	17.50	14.25	15.3	20.1	1.78	15.50	4.13	3/4x8	6.65
PT25215	0279-00277	122	20.50	18.50	19.25	16.50	15.3	20.1	1.84	17.50	4.13	3/4x8	6.65
PT26307	0279-00278	123	20.50	18.50	19.25	16.50	16.7	21.4	1.84	17.50	4.50	3/4x8	7.31
PT27315	0279-00279	148	22.50	19.00	21.25	16.50	17.5	21.7	2.50	19.25	4.75	1x9	7.81
PT28407	0279-00280	148	22.50	19.00	21.25	16.50	18.3	22.8	2.50	19.25	4.75	1x9	7.81

### Horizontal Long Motor Mounts

HORIZONTAL LONG MOTOR MOUNTS				V-BELT CENTER DISTANCE FOR NEMA MOTOR FRAMES												SHAFT	
SHAFT MOUNT	PART NUMBER	NEMA MOTOR	SCREW DIAMETERS	56-140 MIN	56-140 MAX	180 MIN	180 MAX	210 MIN	210 MAX	250 MIN	250 MAX	280 MIN	280 MAX	320 MIN	320 MAX	360 MIN	360 MAX
PT21107	0279-00290	56C-215T	14 - 20	19.5	22.9	20.5	23.9	21.2	24.7								
PT22115	0279-00291	56C-215T	16 - 20	20.9	24.3	21.9	25.3	22.6	26.0								
PT23203	0279-00292	56C-215T	18 - 20	21.8	25.3	22.8	26.3	23.6	27.0								
PT23203	0279-00293	143T-286T	18 - 20	22.0	25.5	23.0	26.5	23.8	27.2	24.8	28.2	25.6	28.9				
PT24207	0279-00294	143T-286T	20 - 24	23.2	27.0	24.2	28.0	24.9	28.6	25.9	29.6	26.7	30.4				
PT24207	0279-00295	143T-326T	20 - 24	23.2	27.0	24.2	28.0	24.9	28.6	25.9	29.6	26.7	30.4	27.4	31.4		
PT25215	0279-00296	143T-286T	20 - 24	22.9	26.6	23.9	27.6	24.7	28.4	25.7	29.4	26.4	30.1				
PT25215	0279-00297	143T-326T	20 - 24	22.9	26.6	23.9	27.6	24.7	28.4	25.7	29.4	26.4	30.1	27.1	31.2		
PT26307	0279-00298	143T-326T	24	23.2	27.0	24.2	27.9	24.9	28.7	25.9	29.7	26.7	30.5	27.6	31.4		
PT27315	0279-00299	143T-365T	24	27.3	31.1	28.3	32.1	29.1	32.9	30.1	33.9	30.8	34.7	31.8	35.6	32.7	36.6
PT28407	0279-00300	143T-365T	NA	22.0	26.5	23.0	27.5	23.8	28.3	24.8	29.3	25.5	30.0	26.5	31.0	27.5	32.0

SHAFT MOUNT	PART NUMBER	WEIGHT (LBS.)	A	B	C	D	E		F	G	H	J	K
							MIN	MAX					
PT21107	0279-00290	49	14.63	11.00	13.50	9.25	17.1	21.3	1.59	12.00	3.38	5/8x7	3.88
PT22115	0279-00291	50	14.63	11.00	13.50	9.25	18.6	22.8	1.59	12.00	3.38	5/8x7	4.18
PT23203	0279-00292	51	14.63	11.00	13.50	9.25	19.8	24.0	1.59	12.00	4.25	5/8x8	4.88
PT23203	0279-00293	93	18.63	17.00	17.50	14.25	20.0	24.2	1.78	15.50	4.25	3/4x8	4.88
PT24207	0279-00294	113	18.63	17.00	17.50	14.25	21.3	26.1	1.78	15.50	4.63	3/4x8	6.13
PT24207	0279-00295	129	20.50	18.50	19.25	16.50	21.3	26.1	1.84	17.50	4.63	3/4x8	6.13
PT25215	0279-00296	113	18.63	17.00	17.50	14.25	21.3	26.1	1.78	15.50	4.13	3/4x8	6.65
PT25215	0279-00297	140	20.50	18.50	19.25	16.50	21.3	26.1	1.84	17.50	4.13	3/4x8	6.65
PT26307	0279-00298	143	20.50	18.50	19.25	16.50	22.7	27.4	1.84	17.50	4.50	3/4x8	7.31
PT27315	0279-00299	172	22.50	19.00	21.25	16.50	23.5	27.7	2.50	19.25	4.75	1x9	7.81
PT28407	0279-00300	172	22.50	19.00	21.25	16.50	24.3	28.8	2.50	19.25	4.75	1x9	7.81

DOWNLOAD AVAILABLE CAD MODELS AT: [WWW.HUBCITYINC.COM](http://WWW.HUBCITYINC.COM)

Certified prints are available upon request

EMAIL: [hubsales@regalbeloit.com](mailto:hubsales@regalbeloit.com) • [www.hubcityinc.com](http://www.hubcityinc.com)



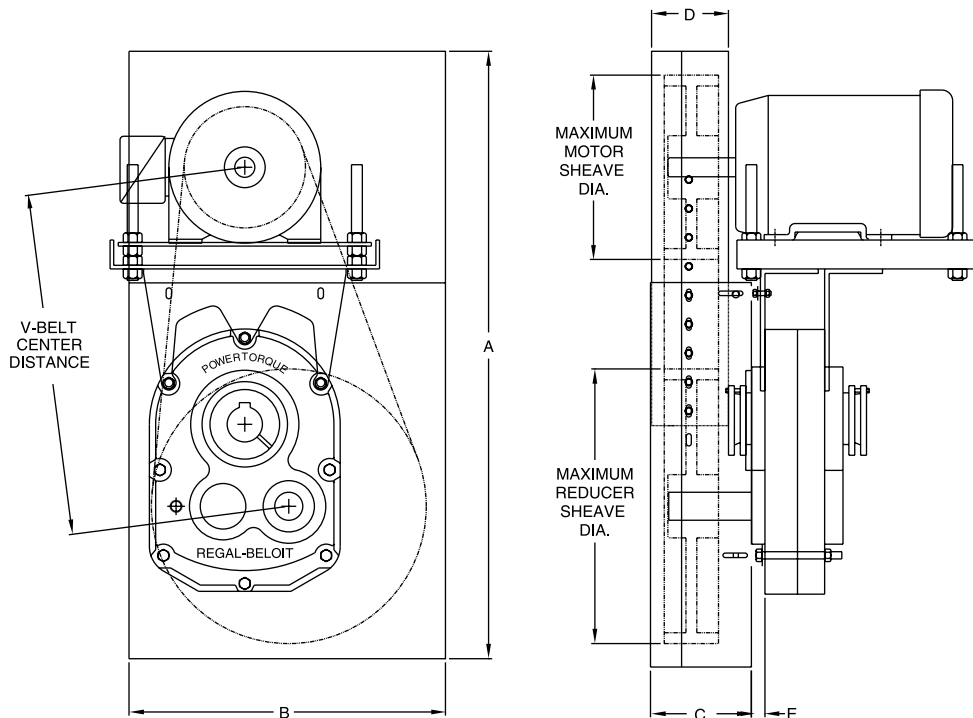
# Hub City PowerTorque® Shaft Mount Reducers

## Accessories

### Vertical Belt Guards



- All-Steel construction
- Adjustable to fit a wide range of sheaves and motor frames
- Designed for easy installation, no drilling required



VERTICAL BELT GUARDS													
SHAFT MOUNT MODEL	BELT GUARD PART NUMBER	NEMA MOTOR FRAME	WEIGHT (LBS.)	V-BELT CENTER DISTANCE		MAXIMUM SHEAVE DIA.		A		B	C	D	E
				MIN	MAX	MOTOR	REDUCER	MIN.	MAX.				
PT21107	0279-00371	56C-215T	51	17.6	22.7	6.4	18.0	31.75	39.75	22.00	5.40	4.31	0.56
PT22115	0279-00375	56C-215T	54	18.7	23.9	8.6	19.0	32.75	40.75	22.00	5.40	4.31	0.56
PT23203	0279-00379	56C-286T	57	20.2	27.2	8.6	19.0	35.75	43.75	22.00	5.40	4.31	0.56
PT24207	0279-00383	143T-326T	71	21.2	29.8	12.0	19.0	40.25	48.25	23.50	6.90	5.31	0.63
PT25215	0279-00387	143T-326T	75	22.7	31.2	12.0	19.0	41.75	49.75	23.50	6.90	5.31	0.63
PT26307	0279-00391	143T-326T	104	25.9	34.2	14.0	25.0	48.25	56.25	29.25	8.70	7.44	2.00
PT27315	0279-00395	143T-365T	126	30.6	39.9	14.0	30.0	55.25	63.25	34.25	8.70	7.44	1.25
PT28407	0279-00399	143T-365T	126	31.9	41.2	14.0	30.0	55.25	63.25	34.25	8.70	7.44	1.25

VERTICAL LONG BELT GUARDS													
SHAFT MOUNT MODEL	BELT GUARD PART NUMBER	NEMA MOTOR FRAME	WEIGHT (LBS.)	V-BELT CENTER DISTANCE		MAXIMUM SHEAVE DIA.		A		B	C	D	E
				MIN	MAX	MOTOR	REDUCER	MIN.	MAX.				
PT21107	0279-00372	56C-215T	55	20.6	25.7	6.4	18.0	34.50	42.50	22.00	5.40	4.31	0.56
PT22115	0279-00376	56C-215T	57	21.7	26.9	8.6	19.0	35.50	43.50	22.00	5.40	4.31	0.56
PT23203	0279-00380	56C-286T	60	23.2	30.2	8.6	19.0	38.75	46.75	22.00	5.40	4.31	0.56
PT24207	0279-00384	143T-326T	82	25.7	34.3	12.0	19.0	44.50	52.50	23.50	6.90	5.31	0.63
PT25215	0279-00388	143T-326T	80	29.5	37.9	12.0	19.0	48.00	56.00	23.50	6.90	5.31	0.63
PT26307	0279-00392	143T-326T	123	39.9	48.2	14.0	25.0	62.25	70.25	29.25	8.70	7.44	2.00
PT27315	0279-00396	143T-365T	150	45.6	54.9	14.0	30.0	71.00	79.00	34.25	8.70	7.44	1.25
PT28407	0279-00400	143T-364T	150	44.9	54.3	14.0	30.0	71.00	79.00	34.25	8.70	7.44	1.25

DOWNLOAD AVAILABLE CAD MODELS AT: [WWW.HUBCITYINC.COM](http://WWW.HUBCITYINC.COM)

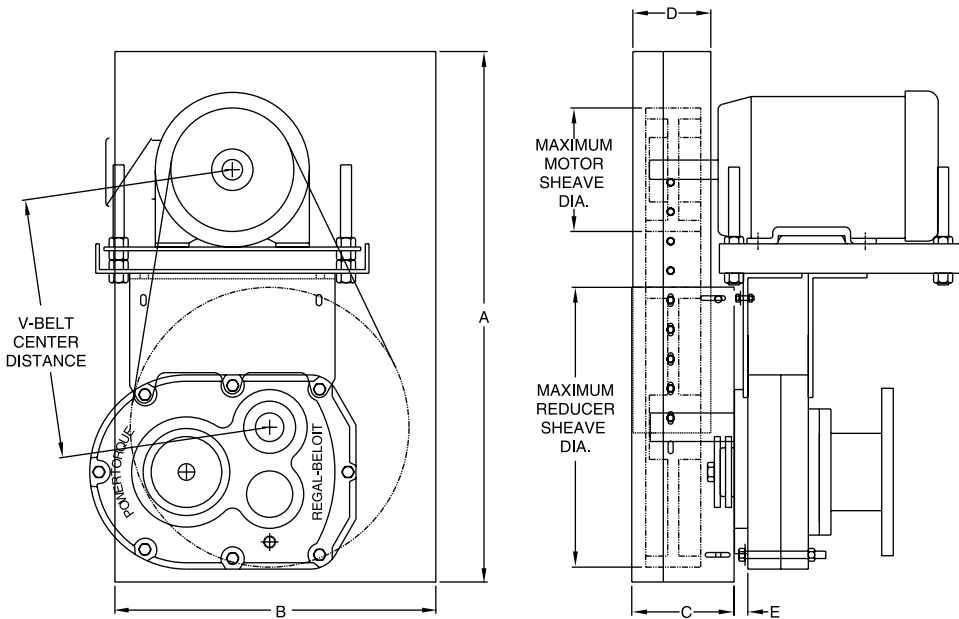
Certified prints are available upon request

CALL: (605) 225-0360 • FAX: (605) 225-0567

# Hub City PowerTorque® Shaft Mount Reducers

## Accessories

### Horizontal Belt Guards



- All-Steel construction
- Adjustable to fit a wide range of sheaves and motor frames
- Designed for easy installation, no drilling required



HORIZONTAL BELT GUARDS													
SHAFT MOUNT MODEL	BELT GUARD PART NUMBER	NEMA MOTOR FRAME	WEIGHT (LBS.)	V-BELT CENTER DISTANCE		MAXIMUM SHEAVE DIA.		A		B	C	D	E
				MIN	MAX	MOTOR	REDUCER	MIN.	MAX.				
PT21107	0279-00373	56C-215T	48	13.5	19.0	6.4	18.0	27.75	35.75	22.00	5.40	4.31	0.56
PT22115	0279-00377	56C-215T	51	14.9	20.0	8.6	19.0	28.75	36.75	22.00	5.40	4.31	0.56
PT23203	0279-00381	56C-286T	53	15.8	22.9	8.6	19.0	31.50	39.50	22.00	5.40	4.31	0.56
PT24207	0279-00385	143T-326T	67	16.9	25.4	12.0	19.0	36.25	44.25	23.50	6.90	5.31	0.63
PT25215	0279-00389	143T-326T	64	16.6	25.2	12.0	19.0	35.75	43.75	23.50	6.90	5.31	0.63
PT26307	0279-00393	143T-326T	92	17.0	25.5	14.0	25.0	39.50	47.50	29.25	8.70	7.44	2.00
PT27315	0279-00397	143T-365T	105	22.1	31.0	14.0	30.0	41.75	49.75	34.25	8.70	7.44	1.25
PT28407	0279-00401	143T-365T	105	16.1	25.4	14.0	30.0	41.75	49.75	34.25	8.70	7.44	1.25

HORIZONTAL LONG BELT GUARDS													
SHAFT MOUNT MODEL	BELT GUARD PART NUMBER	NEMA MOTOR FRAME	WEIGHT (LBS.)	V-BELT CENTER DISTANCE		MAXIMUM SHEAVE DIA.		A		B	C	D	E
				MIN	MAX	MOTOR	REDUCER	MIN.	MAX.				
PT21107	0279-00374	56C-215T	53	19.5	24.7	6.4	18.0	33.75	41.75	22.00	5.40	4.31	0.56
PT22115	0279-00378	56C-215T	56	20.9	26.0	8.6	19.0	34.75	42.75	22.00	5.40	4.31	0.56
PT23203	0279-00382	56C-286T	59	21.8	28.9	8.6	19.0	37.25	45.25	22.00	5.40	4.31	0.56
PT24207	0279-00386	143T-326T	73	23.2	31.4	12.0	19.0	41.50	49.50	23.50	6.90	5.31	0.63
PT25215	0279-00390	143T-326T	73	22.9	31.2	12.0	19.0	42.00	50.00	23.50	6.90	5.31	0.63
PT26307	0279-00394	143T-326T	100	23.2	31.4	14.0	25.0	45.50	53.50	29.25	8.70	7.44	2.00
PT27315	0279-00398	143T-365T	115	27.3	36.6	14.0	30.0	48.00	56.00	34.25	8.70	7.44	1.25
PT28407	0279-00402	143T-365T	115	22.0	31.4	14.0	30.0	48.00	56.00	34.25	8.70	7.44	1.25

### Cooling Fans

Available upon request, consult factory for details

DOWNLOAD AVAILABLE CAD MODELS AT: [WWW.HUBCITYINC.COM](http://WWW.HUBCITYINC.COM)

Certified prints are available upon request

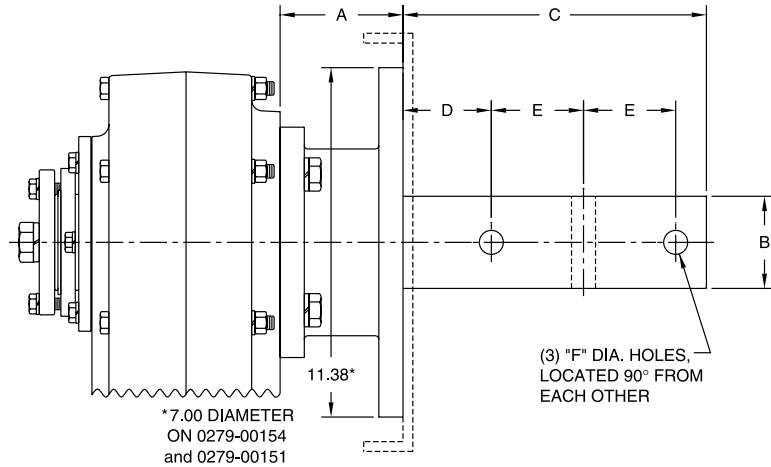
EMAIL: [hubsales@regalbeloit.com](mailto:hubsales@regalbeloit.com) • [www.hubcityinc.com](http://www.hubcityinc.com)



# Hub City PowerTorque® Shaft Mount Reducers

## Accessories

### Screw Conveyor Drive



SHAFT MOUNT MODEL	ADAPTOR FLANGES			DRIVE SHAFTS							
	PART NUMBER	WEIGHT (LBS.)	A	PART NUMBER	WEIGHT (LBS.)	B	C	D	E	F	SCREW SIZE
PT21107	0279-00151	13	3.22	0279-00211	14	1.500	9.00	2.12	3.00	17/32	6
				0279-00212	17	2.000	9.00	2.12	3.00	21/32	9, 12
	0279-00152	27	3.22	0279-00213	22	2.437	9.69	2.75	3.00	21/32	12, 14
				0279-00214	29	3.000	9.88	2.88	3.00	25/32	12 - 20
PT22115	0279-00154	15	3.56	0279-00215	15	1.500	9.00	2.12	3.00	17/32	6
				0279-00216	18	2.000	9.00	2.12	3.00	21/32	9, 12
	0279-00153	25	3.56	0279-00217	23	2.4375	9.69	2.75	3.00	21/32	12, 14
				0279-00218	30	3.000	9.88	2.88	3.00	25/32	12 - 20
PT23203	0279-00155	29	3.69	0279-00219	20	1.500	9.00	2.12	3.00	17/32	9
				0279-00220	23	2.000	9.00	2.12	3.00	21/32	9, 12
				0279-00221	28	2.4375	9.69	2.75	3.00	21/32	12, 14
				0279-00222	35	3.000	9.88	2.88	3.00	25/32	12 - 20
PT24207	0279-00156	33	4.00	0279-00223	24	1.500	9.00	2.12	3.00	17/32	9
				0279-00224	27	2.000	9.00	2.12	3.00	21/32	9, 12
				0279-00225	32	2.4375	9.69	2.75	3.00	21/32	12, 14
				0279-00226	39	3.000	9.88	2.88	3.00	25/32	12 - 20
PT25215	0279-00157	43	4.25	0279-00227	53	3.4375	13.13	3.88	4.00	29/32	18 - 24
				0279-00228	37	2.000	9.00	2.12	3.00	21/32	9, 12
				0279-00229	42	2.4375	9.69	2.75	3.00	21/32	12, 14
				0279-00230	49	3.000	9.88	2.88	3.00	25/32	12 - 20
PT26307	0279-00158	56	5.50	0279-00231	63	3.4375	13.13	3.88	4.00	29/32	18 - 24
				0279-00232	57	2.4375	9.69	2.75	3.00	21/32	12, 14
				0279-00233	64	3.000	9.88	2.88	3.00	25/32	12 - 20
				0279-00234	78	3.4375	13.13	3.88	4.00	29/32	18 - 24
PT27315	0279-00159	72	6.50	0279-00235	73	2.4375	9.69	2.75	3.00	21/32	12, 14
				0279-00236	80	3.000	9.88	2.88	3.00	25/32	12 - 20
				0279-00237	94	3.4375	13.13	3.88	4.00	29/32	18 - 24

### Adapter Flanges

Conform to CEMA standards. Bolt-on design allows easy mounting. Open center for contaminate dropout.



### Drive Shafts

Conform to CEMA dimensional standards. Machined from high strength alloy steel. Easy installation into standard hollow bore.



### Auxiliary Seal Kits

Available upon request, consult factory for details

DOWNLOAD AVAILABLE CAD MODELS AT: [WWW.HUBCITYINC.COM](http://WWW.HUBCITYINC.COM)

Certified prints are available upon request

CALL: (605) 225-0360 • FAX: (605) 225-0567

# Hub City IndustrialLine™ Bearing Units

Mounted Bearing Features Index .....	M-1
Features Index.....	M-4
Engineering and Selection — Ball Bearing Units .....	M-6
NEW - HVAC Air Handling Bearings.....	M-8
100 Series Pillow Blocks .....	M-10
100 Series Flange Blocks .....	M-11
100 & 200 Series Load Ratings.....	M-14
200 Series Pillow Blocks .....	M-15
200 Series Flange Blocks .....	M-23
200 Series Flange Brackets & Flange Cartridges .....	M-27
200 Series Take Up Units.....	M-28
Take-Up Frames — Ball Bearing Units.....	M-32
Ball Bearing Inserts.....	M-35
350 Series Load Ratings .....	M-37
350 Series Bearings .....	M-38
Interchange Comparisons — Ball Bearing Units.....	M-42

**Over 200 NEW items in this section!**

**For Stainless Steel &  
Thermoplastic Composite  
Bearings, See Section O**

DOWNLOAD AVAILABLE CAD MODELS AT: [WWW.HUBCITYINC.COM](http://WWW.HUBCITYINC.COM)  
Certified prints are available upon request

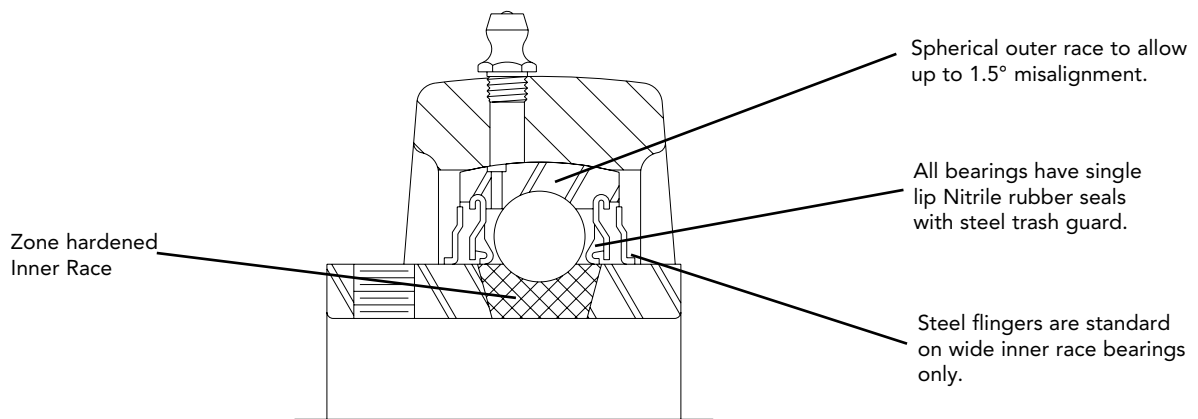
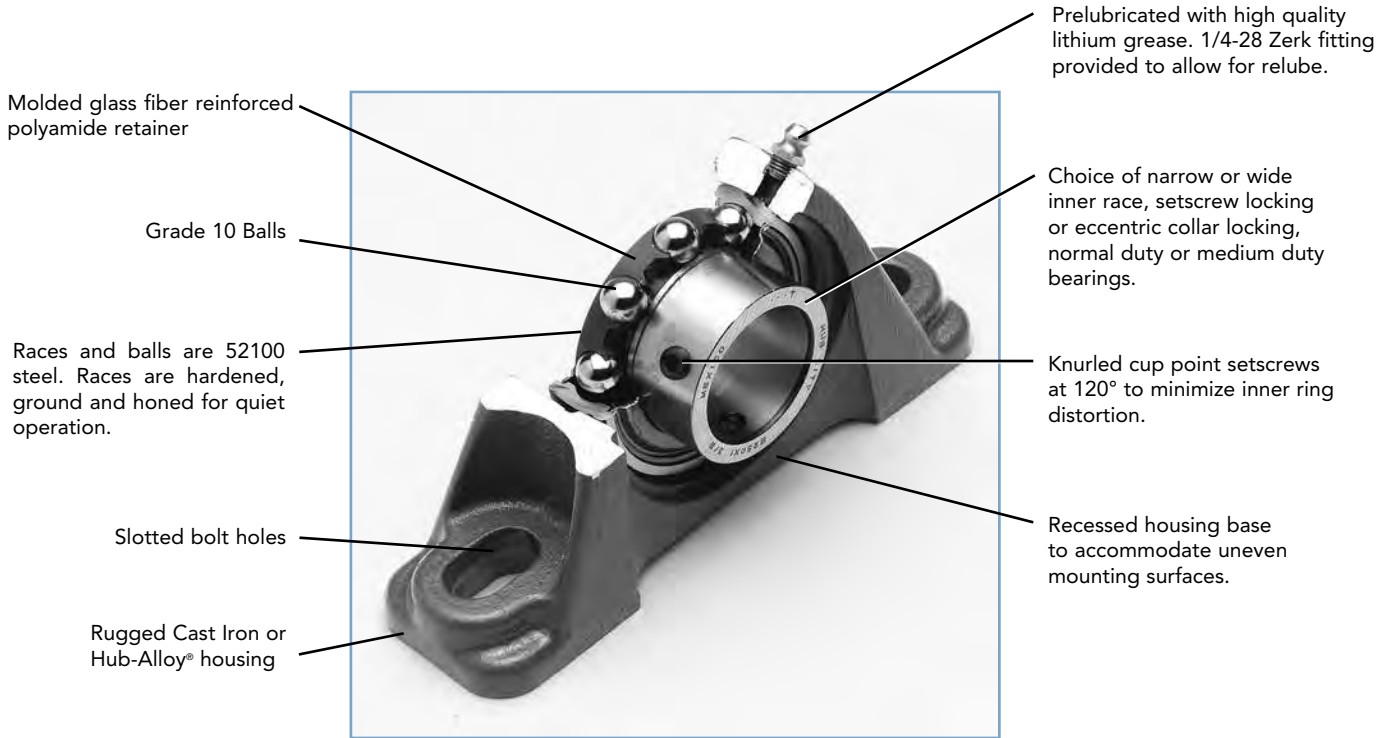
EMAIL: [hubsales@regalbeloit.com](mailto:hubsales@regalbeloit.com) • [www.hubcityinc.com](http://www.hubcityinc.com)



# Hub City IndustriaLine™ Bearing Units

Hub City offers a wide range of products in the IndustriaLine™ mounted ball bearing product line. These include pillow blocks, 2, 3 and 4 hole flange blocks, 4 hole piloted flange cartridges, and wide slot and narrow slot take-up units. Ball bearing units are available with

setscrew locking or eccentric locking collar, with narrow inner race or wide inner race, with normal duty or medium duty bearings. Housings are available in gray cast iron or Hub-Alloy®. Refer to Features Index for description of specific units.



Typical Cross Section

(Continued on next page)

DOWNLOAD AVAILABLE CAD MODELS AT: [WWW.HUBCITYINC.COM](http://WWW.HUBCITYINC.COM)

**Certified prints are available upon request**

CALL: (605) 225-0360 • FAX: (605) 225-0567



# Hub City IndustrialLine™ Bearing Units

## Features

### Bearings

Bearings have spherical outer races to accommodate up to 1.5° misalignment. Races and balls are made of SAE 52100 vacuum degassed bearing quality steel. Ball retainers are made of molded, glass fiber reinforced polyamide. Races are hardened, ground and honed for quiet operation, and Grade 10 balls are used. Inner races are zone hardened in the ball raceway and seal contact areas. The setscrew end is unhardened to prevent cracking at the setscrew threads. Setscrews are located at 120° to minimize inner ring distortion, and have knurled cup point to resist loosening under vibration. Seals have a nitrile rubber lip bonded to a steel trash

guard.. The positive contact, low friction seal rides on the precision ground surface of the inner race. Wide inner race bearings also have steel flingers that rotate with the inner race to provide extra protection. All ball bearings are prelubricated with high quality lithium grease. Hub City bearings have an operating temperature range of -25° F to 225° F.

### Housing

Housings for Hub City bearing units are precision machined from rugged cast iron or high strength Hub-Alloy® castings.

Hub-Alloy® is a cast ferrous material this is manufactured in a carefully controlled process to produce properties exceeding the specifications listed below. Hub-Alloy® can be used to replace malleable iron or ductile iron. It is recommended for severe applications where the stronger material is required to withstand heavy loads imposed on the housing. Hub-Alloy® has tensile strength properties in the range 50-65,000 psi, yield strength in the range 32-45,000 psi, and elongation in the range 10-12%. Specific properties of particular housings vary according to the configuration of the housing.

Cast iron housings meet or exceed the requirements of SAE G3000 gray iron. Typical tensile strength is 30,000 psi.

### Special Modifications

Hub City can furnish modified or special units to suit customer requirements. Typical modifications include:

- Housing modifications
- Special grease types
- Dust caps
- Auxiliary anti-rotation devices
- Custom bearing units with special housings and/or bearings

Modified or special units may be subject to increased lead time and minimum production order quantities.

# Hub City IndustriaLine™ Bearing Units

## Features Index



### Ball Bearing Pillow Blocks

SERIES	RATING TABLES	OUTLINE DIMENSIONS	SHAFT LOCKING	BEARING LUBRICATION	BACKING HEIGHT	HOUSING MATERIAL	SIZE RANGE	INTERCHANGE REFERENCE
PB120	Page M-14	Page M-10	Eccentric Collar	Relube	High	HUB-ALLOY®	1/2 - 1-7/16	Page M-42
PB150	Page M-14	Page M-10	Setscrew	Relube	High	HUB-ALLOY®	1/2 - 1-7/16	Page M-42
PB220	Page M-14	Page M-15	Eccentric Collar	Relube	Low	Cast Iron	1/2 - 2-7/16	Page M-43
PB221	Page M-14	Page M-15	Eccentric Collar	Relube	High	Cast Iron	1/2 - 2-7/16	Page M-43
PB220W	Page M-14	Page M-16	Eccentric Collar	Relube	Low	Cast Iron	3/4 - 2-7/16	Page M-43
PB221W	Page M-14	Page M-16	Eccentric Collar	Relube	High	Cast Iron	3/4 - 2-7/16	Page M-43
PB220HW	Page M-14	Page M-17	Eccentric Collar	Relube	Low	HUB-ALLOY®	3/4 - 2-7/16	Page M-43
PB221HW	Page M-14	Page M-17	Eccentric Collar	Relube	High	HUB-ALLOY®	3/4 - 2-7/16	Page M-43
PB250	Page M-14	Page M-18	Setscrew	Relube	Low	Cast Iron	1/2 - 2-15/16	Page M-43
PB251	Page M-14	Page M-18	Setscrew	Relube	High	Cast Iron	1/2 - 2-15/16	Page M-43
PB250W	Page M-14	Page M-19	Setscrew	Relube	Low	Cast Iron	5/8 - 2-7/16	Page M-43
PB251W	Page M-14	Page M-19	Setscrew	Relube	High	Cast Iron	5/8 - 2-7/16	Page M-43
PB250HW	Page M-14	Page M-20	Setscrew	Relube	Low	HUB-ALLOY®	5/8 - 2-7/16	Page M-43
PB251HW	Page M-14	Page M-20	Setscrew	Relube	High	HUB-ALLOY®	5/8 - 2-7/16	Page M-43
PB281WAH	Page M-14	Page M-8	Concentric	Relube	High	Cast Iron	3/4 - 2-7/16	
TPB220	Page M-14	Page M-21	EccLock	Relube	Tapped Base	Cast Iron	1/2 - 2-3/16	Page M-42
TPB220W	Page M-14	Page M-21	EccLock	Relube	Tapped Base	Cast Iron	5/8 - 2-3/16	Page M-42
TPB250	Page M-14	Page M-22	Setscrew	Relube	Tapped Base	Cast Iron	1/2 - 2-3/16	Page M-42
TPB250W	Page M-14	Page M-22	Setscrew	Relube	Tapped Base	Cast Iron	5/8 - 2-3/16	Page M-42
PB350	Page M-37	Page M-38	Setscrew	Relube	High	Cast Iron	1 - 3-1/2	Page M-45
PB350H	Page M-37	Page M-39	Setscrew	Relube	High	HUB-ALLOY®	1 - 3-1/2	Page M-45

DOWNLOAD AVAILABLE CAD MODELS AT: [WWW.HUBCITYINC.COM](http://WWW.HUBCITYINC.COM)

**Certified prints are available upon request**

CALL: (605) 225-0360 • FAX: (605) 225-0567

# Hub City IndustrialLine™ Bearing Units

## Features Index



### Ball Bearing Flange Blocks & Flange Cartridges

SERIES	RATING TABLES	OUTLINE DIMENSIONS	SHAFT LOCKING	BEARING LUBRICATION	FLANGE STYLE	HOUSING MATERIAL	SHAFT SIZE RANGE	INTERCHANGE REFERENCE
FB110	Page M-14	Page M-11	Setscrew	Non-Relube	2-Hole	HUB-ALLOY®	1/2 - 1-7/16	Page M-42
FB120	Page M-14	Page M-12	Eccentric Collar	Relube	3-Hole	HUB-ALLOY®	1/2 - 1-7/16	Page M-42
FB130	Page M-14	Page M-12	Eccentric Collar	Relube	2-Hole	HUB-ALLOY®	1/2 - 1-7/16	Page M-42
FB150	Page M-14	Page M-13	Setscrew	Relube	3-Hole	HUB-ALLOY®	1/2 - 1-7/16	Page M-42
FB 160	Page M-14	Page M-13	Setscrew	Relube	2-Hole	HUB-ALLOY®	1/2 - 1-7/16	Page M-42
FB220	Page M-14	Page M-23	Eccentric Collar	Relube	4-Hole	Cast Iron	1/2 - 2-7/16	Page M-44
FB220HW	Page M-14	Page M-24	Eccentric Collar	Relube	4-Hole	HUB-ALLOY®	3/4 - 2-7/16	Page M-44
FB230	Page M-14	Page M-23	Eccentric Collar	Relube	2-Hole	Cast Iron	1/2 - 2-3/16	Page M-44
FB230HW	Page M-14	Page M-24	Eccentric Collar	Relube	2-Hole	HUB-ALLOY®	3/4 - 2-7/16	Page M-44
FB250	Page M-14	Page M-25	Setscrew	Relube	4-Hole	Cast Iron	1/2 - 2-15/16	Page M-44
FB250HW	Page M-14	Page M-26	Setscrew	Relube	4-Hole	HUB-ALLOY®	5/8 - 2-7/16	Page M-44
FB260	Page M-14	Page M-25	Setscrew	Relube	2-Hole	Cast Iron	1/2 - 2-3/16	Page M-44
FB260HW	Page M-14	Page M-26	Setscrew	Relube	2-Hole	HUB-ALLOY®	5/8 - 2-7/16	Page M-44
FB280HWAH	Page M-14	Page M-8	Concentric	Relube	4-Hole	HUB-ALLOY®	3/4 - 2-7/16	-
FB290HWAH	Page M-14	Page M-9	Concentric	Relube	2-Hole	HUB-ALLOY®	3/4 - 2-7/16	-
FC250	Page M-14	Page M-27	Setscrew	Relube	4-Hole Piloted	Cast Iron	1/2 - 2-7/16	-
FR250W	Page M-14	Page M-27	Setscrew	Relube	3-Hole Bracket	Cast Iron	3/4 - 2s	-
FB350	Page M-37	Page M-38	Setscrew	Relube	4-Hole	Cast Iron	1 - 3-1/2	Page M-46
FB350H	Page M-37	Page M-39	Setscrew	Relube	4-Hole	HUB-ALLOY®	1 - 3-1/2	Page M-46
FC350	Page M-37	Page M-40	Setscrew	Relube	4-Hole Piloted	Cast Iron	1-1/4 - 3-1/2	Page M-46

### Ball Bearing Take-Up Units

SERIES	RATING TABLES	OUTLINE DIMENSIONS	SHAFT LOCKING	BEARING LUBRICATION	SLOT WIDTH	HOUSING MATERIAL	SHAFT SIZE RANGE	INTERCHANGE REFERENCE
TU220	Page M-14	Page M-28	Eccentric Collar	Relube	Standard	Cast Iron	1/2 - 2-7/16	Page M-45
TU220W	Page M-14	Page M-29	Eccentric Collar	Relube	Standard	Cast Iron	3/4 - 2-7/16	Page M-45
TU250	Page M-14	Page M-28	Setscrew	Relube	Standard	Cast Iron	1/2 - 2-7/16	Page M-45
TU250W	Page M-14	Page M-29	Setscrew	Relube	Standard	Cast Iron	5/8 - 2-7/16	Page M-45
WSTU220	Page M-14	Page M-30	Eccentric Collar	Relube	Wide Slot	Cast Iron	3/4 - 2-7/16	Page M-45
WSTU250	Page M-14	Page M-30	Setscrew	Relube	Wide Slot	Cast Iron	3/4 - 2-7/16	Page M-45
WSTU220W	Page M-14	Page M-31	Eccentric Collar	Relube	Wide Slot	Cast Iron	1-7/16 - 3	Page M-45
WSTU250W	Page M-14	Page M-31	Setscrew	Relube	Wide Slot	Cast Iron	1-7/16 - 3	Page M-45
TU350	Page M-37	Page M-40	Setscrew	Relube	Standard	Cast Iron	1-7/16 - 3	-
WSTU350	Page M-37	Page M-41	Setscrew	Relube	Wide Slot	Cast Iron	1-7/16 - 3	-

DOWNLOAD AVAILABLE CAD MODELS AT: [WWW.HUBCITYINC.COM](http://WWW.HUBCITYINC.COM)

\* WIDE SLOT UNITS AVAILABLE ON MADE-TO-ORDER BASIS.

**Certified prints are available upon request**

EMAIL: [hubsales@regalbeloit.com](mailto:hubsales@regalbeloit.com) • [www.hubcityinc.com](http://www.hubcityinc.com)



# Hub City IndustriaLine™ Bearing Units

## Engineering and Selection Information

### Maximum Speed

Maximum speed limits listed for the ball bearing products described in this catalog should be used as a guide and considered along with other factors affecting bearing operation. Load characteristics, bearing lubrication, and temperature factors all influence bearing operation. It is possible that cataloged speed limits may be exceeded after a complete application analysis is completed by factory engineers.

### Bearing Life

Bearing life is commonly referred to in terms of the number of hours of operation at a given speed, that 90% of the bearings in a lot can equal or exceed before the onset of fatigue failure. This is called the L-10 life of a bearing.

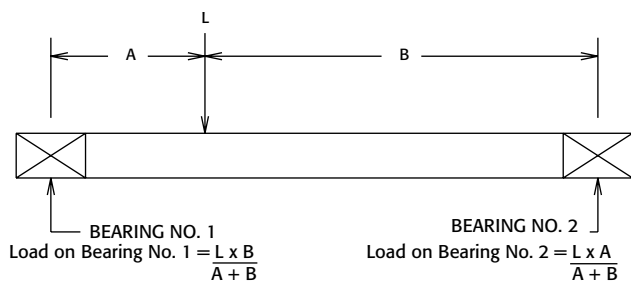
The ball bearing unit load ratings published in this catalog are based upon AFBMA Standard Section 9, Load Ratings and Fatigue Life Ratings for Ball Bearings and are the steady radial loads at which the bearings will endure at various speeds for 500 hours L-10 life, or 2,500 hours average life (average life is considered to be 5 times L-10 life).

### Bearing Loads

Radial loads and thrust force in combination are the principal load components of bearing applied loads. Hub City ball bearing unit ratings are based upon the radial load capacity of the bearing. For applications where bearings are required to absorb thrust forces in addition to normal radial loads, the following considerations must be made concerning the magnitude of the thrust force.

1. When thrust loads are less than 1/2 of the radial load – the equivalent load should be considered the same as the radial load and the selection made based upon the applied radial load.
2. When thrust loads are equal to or greater than 1/2 of the radial load – the equivalent load is determined by adding the radial and thrust loads together. The bearing selection is based upon using this total load as the equivalent applied radial load.

If thrust loads are equal to or exceed the radial loads, consult the factory.



### Bearing Selection

Selection of the proper Hub City bearing unit for a determined speed and load can be made by referring to the load rating tables. Proper selection is made by finding a bearing having the desired bore size which has a load rating equal to or greater than the radial or equivalent radial load required for the application.

### Engineering Data

Bearing reaction loads are caused by forces acting on the shaft supported by the bearings. These forces are a result of the weight of the shafting and components mounted on the shafting, bending loads due to belt or chain pull, gear reaction loads, and off center or unbalanced loads. These loads must be combined into a single resultant load of known magnitude and direction for each bearing.

Whether the load is applied between bearings on a shaft supported by two bearings or outboard of one of the bearings is important to proper bearing selection. The magnitude and direction of the load for either case may be calculated by taking moments about the other bearing.

### Selection Example 1:

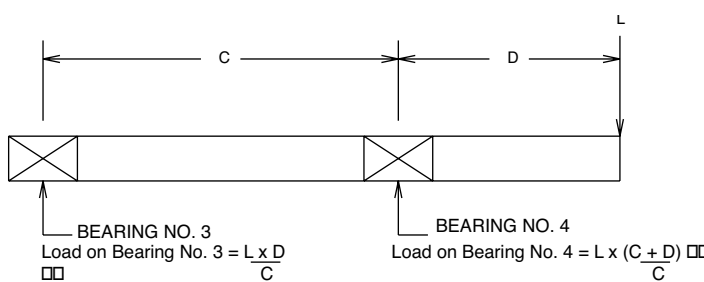
#### Radial Load Service Life Expectancy Selection

Select a mounted bearing pillow block unit to meet the following application requirements:

- a. Shaft diameter of 1 inch
- b. Shaft speed is 1500 RPM.
- c. Radial load requirement is 850 Lbs.
- d. Life requirement is 1000 hours L-10 (5000 hours average life)

#### Step 1.

From the rating tables on pages M-14 and M-37, locate the one inch shaft diameter line and follow that line to the right to the 1500 RPM column. Note that the radial load capacity for 100 Series bearings and 200 Series bearings (ratings, page M-14) is 890 pounds. The radial load capacity for 350 Series bearings (ratings, page M-37) is 1230 pounds.



WHEN COMBINATION FORCES OR UNBALANCED LOADS ARE PRESENT, BEARING REACTION LOAD CALCULATIONS SHOULD BE REVIEWED WITH FACTORY ENGINEERING.

L = APPLIED EQUIVALENT LOAD

DOWNLOAD AVAILABLE CAD MODELS AT: [WWW.HUBCITYINC.COM](http://WWW.HUBCITYINC.COM)

Certified prints are available upon request

# Hub City IndustrialLine™ Bearing Units

## Engineering and Selection Information

### Selection Example 1:

Radial Load Service Life Expectancy Selection (cont.)

#### Step 2.

The published radial load capacities are based on an L-10 life of 500 hours and must be modified to suit the application requirement of 1000 hours L-10 life by using the proper multiplier from the chart below each rating table. Calculate the equivalent radial load capacity for 1000 hours L-10 life expectancy as follows:

#### For 100 or 200 Series Units

890 Lbs. radial capacity  
x .794 1000 hours L-10 life factor  
707 Lbs. radial capacity for 1000 hours L-10 life

#### For 350 Series: Units

1230 Lbs. radical capacity  
x .794 1000 hours L-10 life factor  
977 Lbs. radical capacity for 1000 hours L-10 life

#### Step 3.

The application radial load requirement of 850 pounds is greater than the radial load capacity for 1000 hours L-10 life for the 100 or 200 Series bearing units. The radial load capacity of the 350 Series bearing unit is 977 pounds and is greater than the application requirement of 650 pounds. A 350 Series bearing unit is the proper selection.

Since a mounted bearing pillow block is required, a 350 Series pillow block with 1 inch bore should be specified.

### Selection Example 2:

Combination Radial and Thrust Load Requirement

Select a Hub City mounted bearing flange block to meet the following conditions:

- Shaft diameter is 1-3/16.
- A combination load is applied consisting of:
  - Radial load 400 pounds
  - Thrust load is 250 pounds
- Shaft speed is 500 RPM
- The L-10 life requirement is 500 hours (2500 hours average life)

#### Step 1.

From the load rating tables, M-14 and M-37, locate the 1-3/16 inch shaft size line and follow this line to the right to the 500 RPM column. The radial load capacity for 100 Series (page M-14) and 200 Series (page M-14) bearing units is 1780 pounds.

The radial load capacity for 350 Series (page M-37) bearing units is 2330 pounds.

#### Step 2.

Since the application L-10 life requirement of 500 hours is what the catalog rating charts are based on there's no need to apply further modifying factors.

#### Step 3.

Because the applied thrust load of 250 pounds is more than half of the applied radial load of 400 pounds, these loads must be added together to obtain the equivalent radial load requirement.

Equivalent Radial Load = 400 Lbs. + 250 Lbs. = 650 Lbs.

#### Step 4.

The equivalent radial load requirement of 650 pounds is less than the catalog radial load capacity for 100 Series, 200 Series, or 350 Series bearing units.

The application requirement is for a flange block unit. A choice must be made as to whether a 2-bolt, 3-bolt, or 4-bolt flange is desired.

The proper selection can then be made based on the preference for housing material (gray iron, or HUB-ALLOY®) and type of shaft locking preference (setscrew or eccentric collar locking) and whether a non-relube or relube type bearing is required.

**For Lubrication and Mounting Instructions, Refer to section S**

DOWNLOAD AVAILABLE CAD MODELS AT: [WWW.HUBCITYINC.COM](http://WWW.HUBCITYINC.COM)

**Certified prints are available upon request**

EMAIL: [hubsales@regalbeloit.com](mailto:hubsales@regalbeloit.com) • [www.hubcityinc.com](http://www.hubcityinc.com)



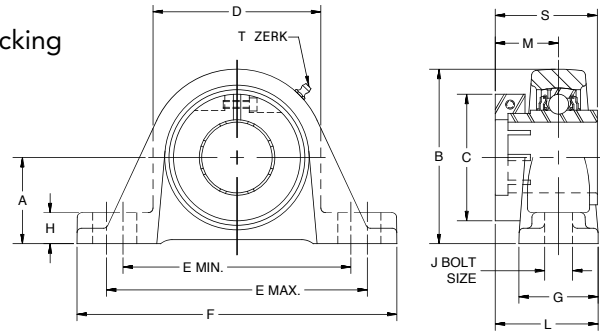
# Hub City IndustriaLine™ Bearing Units

## HVAC Cast Iron Pillow Blocks



### Series PB281WAH HVAC Bearing Units - for High Shaft Heights

- Squeeze lock collar for concentric 360 degree locking
- HVAC quality bearing insert with grade 10 balls
- Superfinished raceways
- Anti-rotation pins
- Air handling fit in housing
- Precision bored cast iron housing
- Wide inner race
- Nitrile rubber seals with steel flingers
- Prelubricated at factory with premium grease
- Noise tested



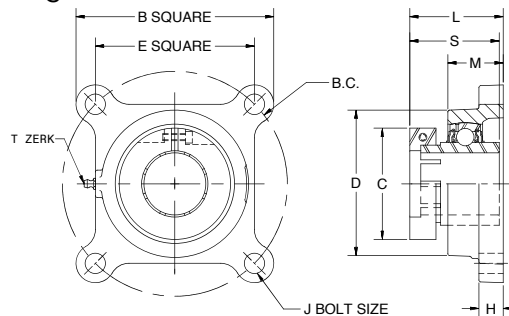
SHAFT SIZE	DIMENSIONS													WT. LBS.
	A	B	C	D	E		F	G	H	J	L	M	S	
					MIN.	MAX.								
3/4	1.938	2.563	1.756	2.250	3.250	4.125	5.125	1.375	0.563	0.375	1.563	0.870	1.370	2.0
1	1.438	2.750	1.937	2.500	3.500	4.500	5.500	1.500	0.625	0.375	1.719	0.950	1.510	2.5
1-3/16, 1-1/4S	1.688	3.250	2.185	3.000	4.250	5.125	6.375	1.750	0.750	0.500	1.875	1.030	1.650	3.1
1-1/4, 1-7/16	1.875	2.688	2.575	3.438	4.688	5.500	6.750	1.875	0.688	0.500	2.125	1.180	1.870	4.2
1-1/2	2, 2.188*	4.000	2.693	3.875	5.125	5.938	7.125	1.875	0.813	0.500	2.438	1.360	2.110	4.9
1-11/16, 1-3/4	2.188	4.250	2.933	4.125	5.375	6.125	7.375	2.000	0.813	0.500	2.438	1.370	2.120	5.5
1-15/16	2.250	4.500	3.386	4.313	5.813	6.750	8.375	2.000	0.813	0.625	2.656	1.520	2.270	6.5
2, 2-3/16	2.500	5.000	3.504	4.750	6.438	7.375	9.000	2.250	0.938	0.625	2.781	1.560	2.430	8.8
2-7/16	2.750	5.563	4.055	5.250	6.750	8.125	9.625	2.500	1.188	0.625	3.281	1.850	2.850	11.5

Part Numbers are specified by "PB281WAH" and Bore Size. Example: PB281WAH x 3/4. For replacement inserts use B280WAH bearing inserts. See page M-9. For Load Ratings, see page M-14. T-Zerk: 1/4-28 Taper

## HVAC HubAlloy™ Four-Hole Flange Blocks

### Series FB280HWAH HVAC Bearing Units

- Squeeze lock collar for concentric 360 degree locking
- HVAC quality bearing insert with grade 10 balls
- Superfinished raceways
- Anti-rotation pins
- Air handling fit in housing
- Precision bored Huballoy™ housing
- Higher strength and greater impact resistance
- Nitrile rubber seals with steel flingers
- Prelubricated at factory with premium grease
- Wide inner race
- Noise tested



SHAFT SIZE	DIMENSIONS										WT. LBS.
	B	B.C.	C	D	E	H	J	L	M	S	
3/4	3.313	3.531	1.756	2.313	2.500	0.438	0.375	1.625	1.125	1.370	0.9
1	3.688	3.891	1.937	2.625	2.750	0.563	0.438	1.719	1.188	1.510	1.5
1-3/16, 1-1/4S	4.188	4.594	2.185	3.000	3.250	0.625	0.438	1.688	1.188	1.650	2.2
1-1/4, 1-7/16	4.688	5.125	2.575	3.500	3.625	0.656	0.500	2.000	1.250	1.870	2.8
1-1/2	5.063	5.656	2.693	3.875	4.000	0.688	0.500	2.313	1.438	2.110	3.7
1-11/16, 1-3/4	5.250	5.828	2.933	4.125	4.125	0.688	0.500	2.313	1.438	2.120	4.1
1-15/16	5.500	6.188	3.386	4.375	1.375	0.719	0.500	2.625	1.594	2.270	4.6
2, 2-3/16	6.375	7.250	3.504	4.750	5.125	0.719	0.625	2.781	1.781	2.430	6.2
2-7/16	6.875	7.938	4.055	5.313	5.625	0.813	0.625	3.188	1.938	2.850	8.5

Part Numbers are specified by "FB280HWAH" and Bore Size. Example: FB280HWAH x 3/4. For replacement inserts use B280WAH bearing inserts. See page M-9. For Load Ratings, see page M-14. T-Zerk: 1/4-28 Taper

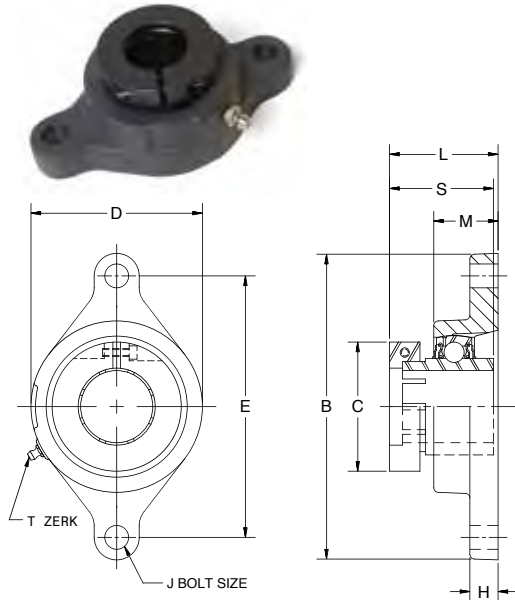
DOWNLOAD AVAILABLE CAD MODELS AT: [WWW.HUBCITYINC.COM](http://WWW.HUBCITYINC.COM)

Certified prints are available upon request



# Hub City IndustrialLine™ Bearing Units HVAC HubAlloy™ Two-Hole Flange Blocks

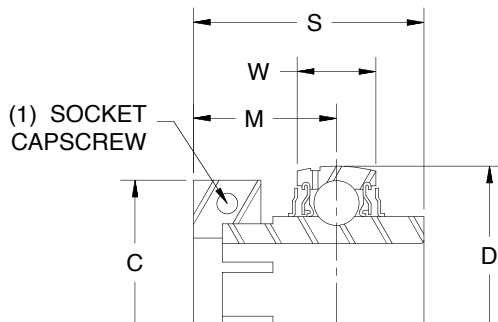
## Series FB290HWAH HVAC Bearing Units



- Squeeze lock collar for concentric 360 degree locking
- HVAC quality bearing insert with grade 10 balls
- Superfinished raceways
- Anti-rotation pins
- Air handling fit in housing
- Precision bored Huballoy™ housing
- Higher strength and greater impact resistance
- Nitrile rubber seals with steel flingers
- Prelubricated at factory with premium grease
- Wide inner race
- Noise tested

SHAFT SIZE	DIMENSIONS									WT. LBS.
	B	C	D	E	H	J	L	M	S	
3/4	4.344	1.756	2.313	3.531	0.438	0.375	1.625	1.125	1.370	0.8
1	4.828	1.937	2.625	3.891	0.563	0.438	1.719	1.188	1.510	1.2
1-3/16, 1-1/4S	5.531	2.185	3.000	4.594	0.563	0.438	1.688	1.188	1.650	1.8
1-1/4, 1-7/16	6.188	2.575	3.500	5.125	0.563	0.500	2.000	1.250	1.870	2.4
1-1/2	6.719	2.693	3.875	5.656	0.563	0.500	2.313	1.438	2.110	3.1
1-11/16, 1-3/4	6.953	2.933	4.125	5.828	0.563	0.500	2.313	1.438	2.120	3.6
1-15/16	7.313	3.386	4.375	6.188	0.625	0.500	2.625	1.594	2.270	4.0
2, 2-3/16	8.500	3.504	4.750	7.250	0.781	0.625	2.781	1.781	2.430	5.2
2-7/16	9.688	4.055	5.313	7.938	0.813	0.750	3.188	1.938	2.850	7.7

Part Numbers are specified by "FB290HWAH" and Bore Size. Example: FB290HWAH x 3/4. For replacement inserts use B280WAH bearing inserts. See below. For Load Ratings, see page M-14. T-Zerk: 1/4-28 Taper



## HVAC Bearing Inserts Series B280WAH

SHAFT SIZE	DIMENSIONS					SOCKET CAPSCREW	WT. LBS.
	C	D	M	S	W		
3/4	1.756	1.8504	0.870	1.370	0.591	8-32x5/8 UNF	0.3
1	1.937	2.0472	0.947	1.510	0.591	8-32x5/8 UNF	0.5
1-3/16, 1-1/4S	2.185	2.4409	1.204	1.650	0.709	8-32x5/8 UNF	0.7
1-1/4, 1-7/16	2.575	2.8346	1.181	1.870	0.748	10-24x3/4 UNC	1.0
1-1/2	2.693	3.1496	1.620	2.110	0.866	10-24x3/4 UNC	1.3
1-11/16, 1-3/4	2.933	3.3465	1.372	2.120	0.866	10-24x3/4 UNC	1.6
1-15/16	3.386	3.5433	1.522	2.270	0.866	1/4-20x1 UNC	1.6
2, 2-3/16	3.504	3.9370	1.556	2.430	0.984	1/4-20x1 UNC	2.5
2-7/16	4.055	4.3307	1.850	2.850	1.063	5/16-18x1 UNC	3.8

Part Numbers are specified by "B280WAH" and Bore Size. Example: B280WAH x 3/4. Used in PB281WAH, FB280HWAH, and FB290HWAH units.

DOWNLOAD AVAILABLE CAD MODELS AT: [WWW.HUBCITYINC.COM](http://WWW.HUBCITYINC.COM)

Certified prints are available upon request

EMAIL: [hubsales@regalbeloit.com](mailto:hubsales@regalbeloit.com) • [www.hubcityinc.com](http://www.hubcityinc.com)

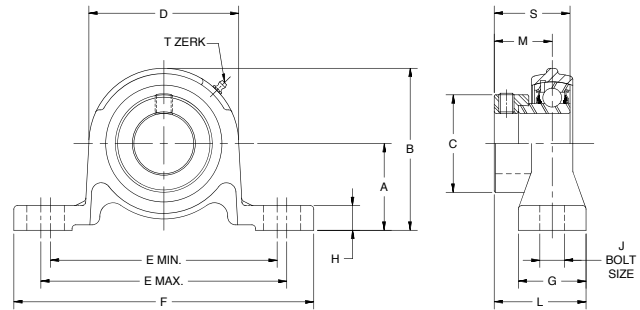


# Hub City IndustriaLine™ Bearing Units

## Hub-Alloy® Pillow Blocks

### Series PB120

- Relube type. Prelubricated at factory
- Eccentric lock collar
- Self-aligning replaceable bearing
- Nitrile rubber seals with steel trash guard
- Precision bored high strength HUB ALLOY® housing



SHAFT SIZE	DIMENSIONS													WT. LBS.
	A	B	C	D	E		F	G	H	J	L	M	S	
					MIN.	MAX.								
1/2, 5/8	1.187	2.160	1.071	2.130	3.220	3.630	4.500	0.980	0.280	0.430	1.360	0.870	1.126	0.6
3/4	1.312	2.440	1.275	2.400	3.590	4.030	4.920	1.060	0.310	0.430	1.460	0.925	1.220	0.8
7/8, 1	1.437	2.720	1.472	2.560	3.750	4.120	5.120	1.140	0.350	0.410	1.500	0.925	1.220	0.9
1-1/8, 1-3/16, 1-1/4s	1.687	3.190	1.736	3.000	4.470	4.970	6.140	1.300	0.390	0.550	1.700	1.051	1.406	1.3
1-1/4, 1-3/8, 1-7/16	1.875	3.580	2.012	3.430	4.750	5.250	6.500	1.380	0.390	0.550	1.850	1.157	1.531	1.9

Part Numbers are specified by "PB120" and Bore Size; Example: PB120 x 1-1/8.

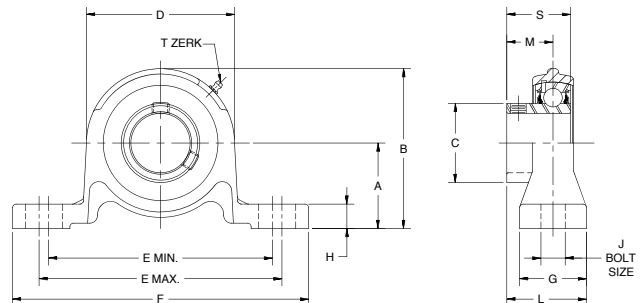
For Load Ratings, see page M-14.

For replacement inserts use B220 Bearing Inserts, see page M-35.

T-Zerk: 1/4-28 Taper

### Series PB150

- Relube type. Prelubricated at factory
- Setscrew locking
- Self-aligning replaceable bearing
- Nitrile rubber seals with steel trash guard
- Precision bored high strength HUB ALLOY® housing



SHAFT SIZE	DIMENSIONS													WT. LBS.
	A	B	C	D	E		F	G	H	J	L	M	S	
					MIN.	MAX.								
1/2, 5/8	1.188	2.156	0.953	1.938	3.219	3.656	4.438	1.000	.344	.375	1.125	0.626	0.870	0.6
3/4	1.313	2.438	1.110	2.250	3.531	3.969	4.750	1.063	.344	.375	1.250	0.720	1.004	0.8
7/8, 15/16, 1	1.438	2.688	1.328	2.500	3.719	4.156	5.000	1.125	.406	.375	1.313	0.768	1.071	1.0
1-1/8, 1-3/16, 1-1/4S	1.688	3.156	1.563	2.938	4.438	5.000	5.938	1.313	.406	.500	1.477	0.827	1.189	1.4
1-1/4, 1-3/8, 1-7/16	1.875	3.563	1.815	3.375	4.719	5.281	6.250	1.375	.438	.500	1.601	0.917	1.299	2.0

Part Numbers are specified by "PB150" and Bore Size; Example: PB150 x 1-1/8.

For Load Ratings, see page M-14.

For replacement inserts use B250 Bearing Inserts, see page M-35.

T-Zerk: 1/4-28 Taper

DOWNLOAD AVAILABLE CAD MODELS AT: [WWW.HUBCITYINC.COM](http://WWW.HUBCITYINC.COM)

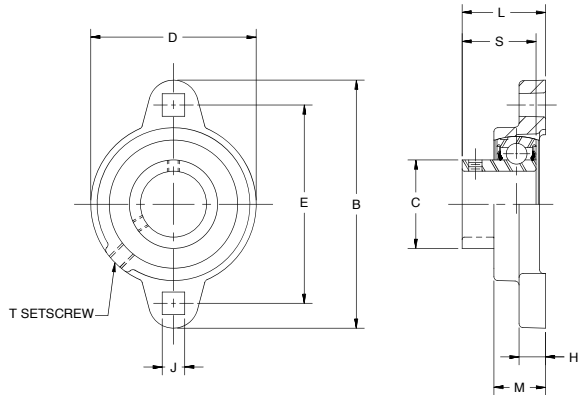
Certified prints are available upon request

CALL: (605) 225-0360 • FAX: (605) 225-0567

# Hub City IndustrialLine™ Bearing Units

## Hub-Alloy® Flange Blocks

### FB110 Two-Hole Flange Block



- Non-relube type. Prelubricated at factory
- Setscrew locking
- Self-aligning replaceable bearing
- Nitrile rubber seals with steel trash guard
- Precision bored high strength HUB-ALLOY® housing

SHAFT SIZE	DIMENSIONS									WT. LBS.
	B	C	D	E	H	J	L	M	S	
1/2, 5/8	3.190	0.953	2.200	2.500	0.380	0.280	1.020	0.710	0.870	0.6
3/4	3.540	1.110	2.400	2.815	0.430	0.340	1.160	0.790	1.004	0.8
7/8, 1	3.740	1.328	2.520	2.992	0.430	0.340	1.208	0.790	1.071	0.8
1-1/8, 1-3/16, 1-1/4s	4.450	1.563	2.990	3.560	0.470	0.410	1.340	0.890	1.189	1.1
1-1/4, 1-3/8, 1-7/16	4.800	1.815	3.500	3.937	0.510	0.410	1.471	0.940	1.299	1.5

Part Numbers are specified by "FB110" and Bore Size; Example: FB110 x 1/2.  
 For Load Ratings, see page M-14. For Comparison Charts, see page M-36.  
 For replacement inserts use B250 Bearing Inserts, see page M-35.  
 T-Set Screw: 1/4-28

Dimensions shown are for reference only.

DOWNLOAD AVAILABLE CAD MODELS AT: [WWW.HUBCITYINC.COM](http://WWW.HUBCITYINC.COM)  
**Certified prints are available upon request**

EMAIL: [hubsales@regalbeloit.com](mailto:hubsales@regalbeloit.com) • [www.hubcityinc.com](http://www.hubcityinc.com)



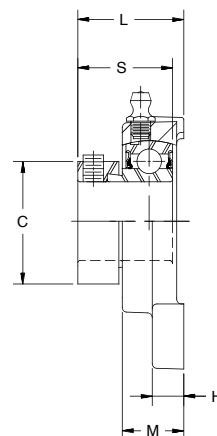
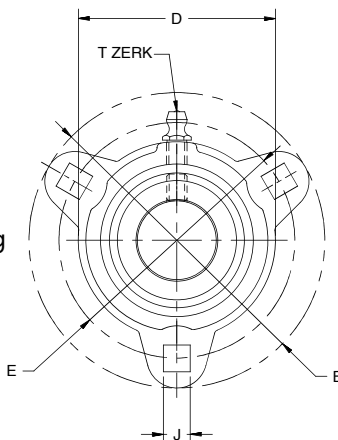
# Hub City IndustrialLine™ Bearing Units

## Hub-Alloy® Flange Blocks

### Series FB120, FB130

#### FB120 Three-Hole Flange Block

- Relube type. Prelubricated at factory
- Eccentric locking collar
- Self-aligning replaceable bearing
- Nitrile rubber seals with steel trash guard
- Precision bored high strength HUB-ALLOY® housing



SHAFT SIZE	DIMENSIONS									WT. LBS.
	B	C	D	E	H	J	L	M	S	
1/2, 5/8	3.190	1.071	1.930	2.500	0.390	0.280	1.280	0.690	1.126	0.6
3/4	3.560	1.275	2.440	2.811	0.390	0.340	1.350	0.790	1.220	0.8
7/8, 1	3.750	1.472	2.830	3.000	0.470	0.340	1.330	0.790	1.220	0.8
1-1/8, 1-3/16, 1-1/4s	4.440	1.736	3.310	3.563	0.470	0.410	1.560	0.870	1.406	1.1
1-1/4, 1-3/8, 1-7/16	4.800	2.012	3.540	3.937	0.530	0.410	1.730	0.940	1.531	1.7

Part Numbers are specified by "FB120" and Bore Size; Example: FB120 x 3/4.

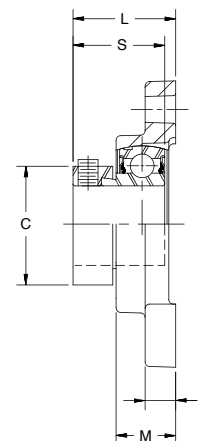
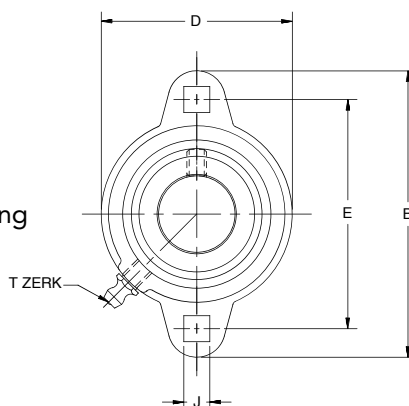
For Load Ratings, see page M-14. For Comparison Charts, see page M-42.

For replacement inserts use B220 Bearing Inserts, see page M-35.

T-Zerk: 1/4-28 Taper

#### FB130 Two-Hole Flange Block

- Relube type. Prelubricated at factory
- Eccentric locking collar
- Self-aligning replaceable bearing
- Nitrile x seals with steel trash guard
- Precision bored high strength HUB-ALLOY® housing



SHAFT SIZE	DIMENSIONS									WT. LBS.
	B	C	D	E	H	J	L	M	S	
1/2, 5/8	3.190	1.071	2.200	2.500	0.380	0.280	1.260	0.710	1.126	0.6
3/4	3.540	1.275	2.400	2.815	0.430	0.340	1.380	0.790	1.220	0.8
7/8, 1	3.740	1.472	2.520	2.992	0.430	0.340	1.360	0.790	1.220	0.8
1-1/8, 1-3/16, 1-1/4s	4.450	1.736	2.990	3.560	0.470	0.410	1.560	0.890	1.406	1.1
1-1/4, 1-3/8, 1-7/16	4.800	2.012	3.500	3.937	0.510	0.410	1.710	0.940	1.531	1.5

Part Numbers are specified by "FB130" and Bore Size; Example: FB130 x 3/4.

For Load Ratings, see page M-14. For Comparison Charts, see page M-42.

For replacement inserts use B220 Bearing Inserts, see page M-35.

T-Zerk: 1/4-28 Taper

Dimensions shown are for reference only.

DOWNLOAD AVAILABLE CAD MODELS AT: [WWW.HUBCITYINC.COM](http://WWW.HUBCITYINC.COM)

Certified prints are available upon request

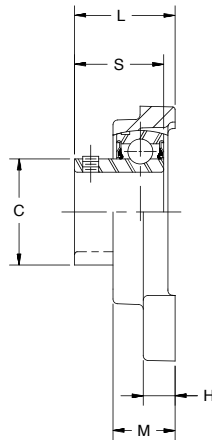
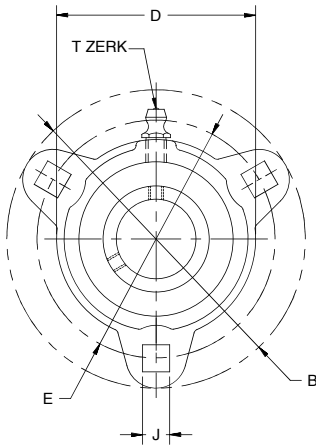
CALL: (605) 225-0360 • FAX: (605) 225-0567

# Hub City IndustrialLine™ Bearing Units

## Hub-Alloy® Flange Blocks

### Series FB150, FB160

#### FB150 Three-Hole Flange Block



- Relube type. Prelubricated at factory
- Setscrew locking
- Self-aligning replaceable bearing
- Nitrile rubber seals with steel trash guard
- Precision bored high strength HUB-ALLOY® housing

SHAFT SIZE	DIMENSIONS									WT. LBS.
	B	C	D	E	H	J‡	L	M	S	
1/2, 5/8	3.190	0.953	1.930	2.500	0.390	0.280	1.040	0.690	0.870	0.6
3/4	3.560	1.110	2.440	2.811	0.390	0.340	1.160	0.790	1.004	0.8
7/8, 1	3.750	1.328	2.830	3.000	0.470	0.340	1.178	0.790	1.071	0.8
1-1/8, 1-3/16, 1-1/4s	4.440	1.563	3.310	3.563	0.470	0.410	1.340	0.870	1.189	1.1
1-1/4, 1-3/8, 1-7/16	4.800	1.815	3.540	3.937	0.530	0.410	1.471	0.940	1.299	1.7

Part Numbers are specified by "FB150" and Bore Size; Example: FB150 x 3/4.

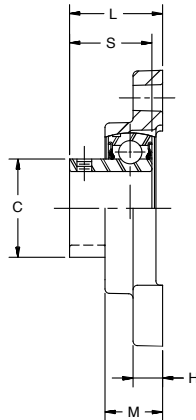
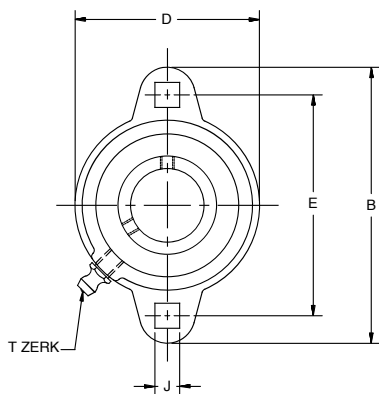
‡ Holes are cast, some variation may be expected.

For Load Ratings, see page M-14. For Comparison Charts, see page M-42.

For replacement inserts use B250 Bearing Inserts, see page M-35.

T-Zerk: 1/4-28 Taper

#### FB160 Two-Hole Flange Block



- Relube type. Prelubricated at factory
- Setscrew locking
- Self-aligning replaceable bearing
- Nitrile rubber seals with steel trash guard
- Precision bored high strength HUB-ALLOY® housing

SHAFT SIZE	DIMENSIONS									WT. LBS.
	B	C	D	E	H	J‡	L	M	S	
1/2, 5/8	3.190	0.953	2.200	2.500	0.380	0.280	1.020	0.710	0.870	0.6
3/4	3.540	1.110	2.400	2.815	0.430	0.340	1.160	0.790	1.004	0.8
7/8, 1	3.740	1.328	2.520	2.992	0.430	0.340	1.208	0.790	1.071	0.8
1-1/8, 1-3/16, 1-1/4s	4.450	1.563	2.990	3.560	0.470	0.410	1.340	0.890	1.189	1.1
1-1/4, 1-3/8, 1-7/16	4.800	1.815	3.500	3.937	0.510	0.410	1.471	0.940	1.299	1.5

Part Numbers are specified by "FB160" and Bore Size; Example: FB160 x 3/4.

‡ Holes are cast, some variation may be expected.

For Load Ratings, see page M-14. For Comparison Charts, see page M-42.

Dimensions shown are for reference only.

For replacement inserts use B250 Bearing Inserts, see page M-35.

T-Zerk: 1/4-28 Taper

DOWNLOAD AVAILABLE CAD MODELS AT: [WWW.HUBCITYINC.COM](http://WWW.HUBCITYINC.COM)

**Certified prints are available upon request**

EMAIL: [hubsales@regalbeloit.com](mailto:hubsales@regalbeloit.com) • [www.hubcityinc.com](http://www.hubcityinc.com)



# Hub City IndustriaLine™ Bearing Units

## Series 100, 200 - Ratings

SHAFT SIZE (INCHES)	BEARING RADIAL LOAD CAPACITY IN POUNDS BASED ON L-10 LIFE OF 500 HOURS AND STEADY LOAD CONDITIONS (2500 HOURS AVERAGE LIFE)							
	BEARING SPEED — REVOLUTIONS PER MINUTE (RPM)							
	100	500	1,000	1,500	2,000	2,500	3,000	3,500
1/2, 5/8	1,490	870	690	600	550	510	480	460
3/4	1,980	1,160	920	800	730	680	640	610
7/8, 15/16, 1	2,180	1,280	1,010	890	800	750	700	670
1-1/8, 1-3/16, 1-1/4S	3,040	1,780	1,410	1,230	1,120	1,040	980	930
1-1/4, 1-3/8, 1-7/16	3,980	2,330	1,850	1,610	1,470	1,360	1,280	—
1-1/2	4,790	2,800	2,220	1,940	1,760	1,640	1,540	—
1-5/8, 1-11/16, 1-3/4	5,180	3,030	2,400	2,100	1,910	1,770	—	—
1-15/16, 2S	5,480	3,200	2,540	2,220	2,020	1,870	—	—
2, 2-3/16	6,800	3,980	3,160	2,760	2,510	—	—	—
2-1/4, 2-7/16	8,250	4,830	3,830	3,350	3,040	—	—	—
2-15/16	9,710	5,680	4,510	3,940	—	—	—	—

For ultimate life, snug fit or light press on shaft should be used.  
Recommended Operating Temperature Range: -25° to +225°F.

### Maximum Recommended Speeds:\*

1-7/16 and smaller — 3,500 R.P.M.  
1-1/2 – 1-3/4 — 3,000 R.P.M.  
1-7/8 – 2-7/16 — 2,500 R.P.M.  
2-15/16 — 1,800 R.P.M.

For Applications not covered in the table above, consult the factory.

TO MODIFY THE ABOVE RATINGS FOR OTHER L-10 LIFE REQUIREMENTS OR FOR SHOCK LOADS MULTIPLY THE ABOVE RATINGS BY THE FACTOR FROM THIS CHART														
MODIFICATION FACTORS FOR L-10 SERVICE LIFE AND LOAD CONDITIONS:														
LOAD CONDITIONS	L-10 LIFE (HOURS)													
	500	700	1,000	1,500	2,000	3,000	4,000	5,000	7,000	10,000	15,000	20,000	30,000	50,000
Steady Load	1.00	.894	.794	.694	.630	.550	.500	.464	.415	.368	.322	.292	.255	.215
Light Shock	.90	.804	.715	.624	.567	.495	.450	.418	.373	.331	.290	.263	.230	.194
Moderate Shock	.70	.626	.556	.485	.441	.385	.350	.325	.290	.258	.225	.205	.179	.151

Dimensions shown are for reference only.

DOWNLOAD AVAILABLE CAD MODELS AT: [WWW.HUBCITYINC.COM](http://WWW.HUBCITYINC.COM)

**Certified prints are available upon request**

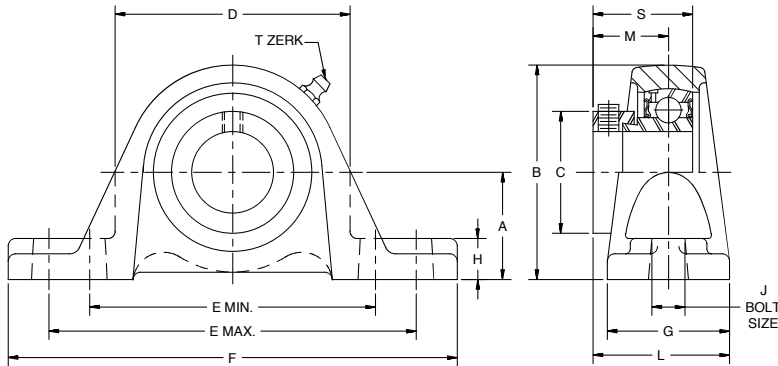
**CALL: (605) 225-0360 • FAX: (605) 225-0567**



# Hub City IndustrialLine™ Bearing Units

## Cast Iron Pillow Blocks

### Series PB220, PB221



- Relube type. Prelubricated at factory
- Eccentric locking collar
- Self-aligning replaceable bearing
- Nitrile rubber seals with steel trash guard
- Precision bored Cast Iron housing

NOTE: BEARINGS WITH ECCENTRIC LOCKING COLLARS ARE NOT RECOMMENDED FOR USE IN REVERSING APPLICATIONS.

### PB220 Series – For Low Shaft Heights

SHAFT SIZE	DIMENSIONS													WT. LBS.
	A	B	C	D	E		F	G	H	J	L	M	S	
					MIN.	MAX.								
1/2, 5/8	1.063	2.125	1.071	1.938	3.000	3.938	4.875	1.250	0.500	0.375	1.547	0.915	1.126	1.1
3/4	1.250	2.500	1.275	2.250	3.250	4.125	5.125	1.375	0.500	0.375	1.609	0.925	1.220	1.8
1	1.313	2.625	1.472	2.500	3.500	4.500	5.500	1.500	0.500	0.375	1.672	0.925	1.220	2.3
1-1/8, 1-3/16, 1-1/4S	1.563	3.125	1.736	3.000	4.250	5.125	6.375	1.750	0.625	0.500	1.922	1.051	1.406	2.8
1-1/4, 1-3/8, 1-7/16	1.813	3.625	2.012	3.438	4.688	5.500	6.750	1.875	0.625	0.500	2.094	1.157	1.531	3.7
1-1/2	1.938	3.938	2.224	3.875	5.125	5.938	7.125	1.875	0.750	0.500	2.203	1.268	1.720	4.2
1-11/16, 1-3/4	2.063	4.188	2.441	4.125	5.375	6.250	7.375	2.000	0.750	0.500	2.281	1.287	1.720	4.8
1-15/16	2.188	4.438	2.645	4.313	5.813	6.750	8.375	2.000	0.750	0.625	2.281	1.287	1.720	5.9
2, 2-3/16	2.438	4.938	2.933	4.750	6.375	7.438	9.000	2.250	0.875	0.625	2.563	1.439	1.906	8.3
2-7/16	2.688	5.500	3.228	5.250	6.750	8.125	9.625	2.500	1.125	0.625	2.813	1.559	2.091	10.9

Part Numbers are specified by "PB220" and Bore Size;

Example: PB220 x 1-7/16.

For Load Ratings, see page M-14. For Comparison Charts, see page M-43.

For replacement inserts use B220 Bearing Inserts, see page M-35.

T-Zerk: 1/4-28 Taper

### PB221 Series – For High Shaft Heights

SHAFT SIZE	DIMENSIONS													WT. LBS.
	A	B	C	D	E		F	G	H	J	L	M	S	
					MIN.	MAX.								
1/2, 5/8	1.188	2.250	1.071	1.938	3.000	3.938	4.875	1.250	0.625	0.375	1.547	0.915	1.126	1.2
3/4	1.313	2.563	1.275	2.250	3.250	4.125	5.125	1.375	0.563	0.375	1.609	0.925	1.220	1.9
1	1.438	2.750	1.472	2.500	3.500	4.500	5.500	1.500	0.625	0.375	1.672	0.925	1.220	2.4
1-1/8, 1-3/16, 1-1/4S	1.688	3.250	1.736	3.000	4.250	5.125	6.375	1.750	0.750	0.500	1.922	1.051	1.406	2.9
1-1/4, 1-3/8, 1-7/16	1.875	3.688	2.012	3.438	4.688	5.500	6.750	1.875	0.688	0.500	2.094	1.157	1.531	4.1
1-1/2	2.000	4.000	2.224	3.875	5.125	5.938	7.125	1.875	0.813	0.500	2.203	1.268	1.720	4.3
1-11/16, 1-3/4	2.125	4.250	2.441	4.125	5.375	6.250	7.375	2.000	0.813	0.500	2.281	1.287	1.720	4.9
1-15/16	2.250	4.500	2.645	4.313	5.813	6.750	8.375	2.000	0.813	0.625	2.281	1.287	1.720	6.1
2, 2-3/16	2.500	5.000	2.933	4.750	6.375	7.438	9.000	2.250	0.38	0.625	2.563	1.439	1.906	9.0
2-7/16	2.750	5.563	3.228	5.250	6.750	8.125	9.625	2.500	1.188	0.625	2.813	1.559	2.091	11.1

Part Numbers are specified by "PB221" and Bore Size; Example: PB221 x 1-1/2.

For Load Ratings, see page M-14. For Comparison Charts, see page M-43.

For replacement inserts use B220 Bearing Inserts, see page M-35.

T-Zerk: 1/4-28 Taper

Dimensions shown are for reference only.

DOWNLOAD AVAILABLE CAD MODELS AT: [WWW.HUBCITYINC.COM](http://WWW.HUBCITYINC.COM)

**Certified prints are available upon request**

EMAIL: [hubsales@regalbeloit.com](mailto:hubsales@regalbeloit.com) • [www.hubcityinc.com](http://www.hubcityinc.com)

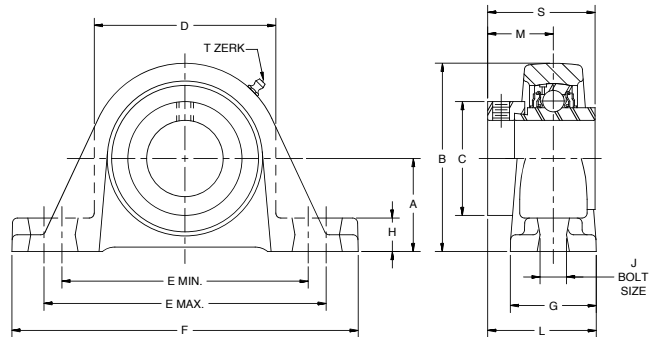


# Hub City IndustriaLine™ Bearing Units

## Cast Iron Pillow Blocks

### Series PB220W, PB221W

- Relube type. Prelubricated at factory
- Eccentric locking collar
- Self-aligning replaceable bearing
- Nitrile rubber seals with steel flingers
- Precision bored Cast Iron housing
- Wide inner race



NOTE: BEARINGS WITH ECCENTRIC LOCKING COLLARS ARE NOT RECOMMENDED FOR USE IN REVERSING APPLICATIONS.

### PB220W Series – For Low Shaft Heights

SHAFT SIZE	DIMENSIONS													WT. LBS.
	A	B	C	D	E		F	G	H	J	L	M	S	
					MIN.	MAX.								
1	1.313	2.625	1.473	2.500	3.500	4.500	5.500	1.500	0.500	0.375	1.813	1.059	1.748	2.3
1-3/16	1.563	3.125	1.736	3.000	4.250	5.125	6.375	1.750	0.625	0.500	2.063	1.185	1.906	2.8
1-1/4, 1-3/8, 1-7/16	1.813	3.625	2.012	3.438	4.688	5.500	6.750	1.875	0.625	0.500	2.219	1.272	2.012	3.7
1-1/2	1.938	3.938	2.224	3.875	5.125	5.938	7.125	1.875	0.750	0.500	2.313	1.374	2.217	4.2
1-11/16, 1-3/4	2.063	4.188	2.441	4.125	5.375	6.250	7.375	2.000	0.750	0.500	2.375	1.374	2.217	4.8
1-15/16	2.188	4.380	2.646	4.313	5.813	6.750	8.375	2.000	0.750	0.625	2.500	1.500	2.469	5.9
2, 2-3/16	2.438	4.938	2.933	4.750	6.375	7.438	9.000	2.250	0.875	0.625	2.844	1.717	2.811	8.3
2-7/16	2.688	5.500	3.228	5.250	6.750	8.125	9.625	2.500	1.125	0.625	3.094	1.838	3.063	10.9

Part Numbers are specified by "PB220W" and Bore Size; Example: PB220W x 1-7/16.

For Load Ratings, see page M-14. For Comparison Charts, see page M-43.

For replacement inserts use YW220 Bearing Inserts, see page M-36.

T-Zerk: 1/4-28 Taper

### PB221W Series – For High Shaft Heights

SHAFT SIZE	DIMENSIONS													WT. LBS.
	A	B	C	D	E		F	G	H	J	L	M	S	
					MIN.	MAX.								
1	1.438	2.750	1.473	2.500	3.500	4.500	5.500	1.500	0.625	0.375	1.813	1.059	1.748	2.4
1-3/16	1.688	3.250	1.736	3.000	4.250	5.125	6.375	1.750	0.750	0.500	2.063	1.185	1.906	2.9
1-1/4, 1-3/8, 1-7/16	1.875	3.688	2.012	3.438	4.688	5.500	6.750	1.875	0.688	0.500	2.219	1.272	2.012	4.1
1-1/2	2.000	4.000	2.224	3.875	5.125	5.938	7.125	1.875	0.813	0.500	2.313	1.374	2.217	4.3
1-11/16, 1-3/4	2.125	4.250	2.441	4.125	5.375	6.250	7.375	2.000	0.813	0.500	2.375	1.374	2.217	4.9
1-15/16	2.250	4.500	2.646	4.313	5.813	6.750	8.375	2.000	0.813	0.625	2.500	1.500	2.469	6.1
2, 2-3/16	2.500	5.000	2.933	4.750	6.375	7.438	9.000	2.250	0.938	0.625	2.844	1.717	2.811	9.0
2-7/16	2.750	5.563	3.228	5.250	6.750	8.125	9.625	2.500	1.188	0.625	3.094	1.838	3.063	11.1

Part Numbers are specified by "PB221W" and Bore Size; Example: PB221W x 1-1/2.

For Load Ratings, see page M-14. For Comparison Charts, see page M-43.

For replacement inserts use YW220 Bearing Inserts, see page M-36.

T-Zerk: 1/4-28 Taper

Dimensions shown are for reference only.

DOWNLOAD AVAILABLE CAD MODELS AT: [WWW.HUBCITYINC.COM](http://WWW.HUBCITYINC.COM)

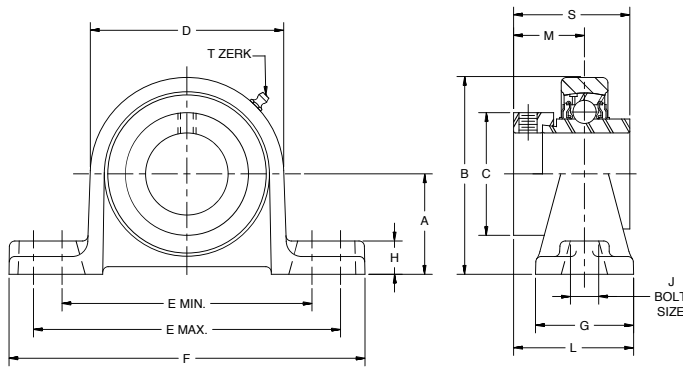
**Certified prints are available upon request**

CALL: (605) 225-0360 • FAX: (605) 225-0567

# Hub City IndustrialLine™ Bearing Units

## Hub-Alloy® Pillow Blocks

### Series PB220HW, PB221HW



- Relube type. Prelubricated at factory
- Eccentric locking collar
- Self-aligning replaceable bearing
- Nitrile rubber seals with steel flingers
- Precision bored HUB-ALLOY® housing
- Higher strength and greater impact resistance than gray iron for high shock loads
- Wide inner race

NOTE: BEARINGS WITH ECCENTRIC LOCKING COLLARS ARE NOT RECOMMENDED FOR USE IN REVERSING APPLICATIONS.

#### PB220HW Series – For Low Shaft Heights

SHAFT SIZE	DIMENSIONS													WT. LBS.
	A	B	C	D	E		F	G	H	J	L	M	S	
					MIN.	MAX.								
1	1.313	2.625	1.472	2.500	3.625	4.500	5.375	1.500	0.500	0.375	1.813	1.059	1.748	1.6
1-3/16	1.563	3.094	1.736	2.938	4.250	5.125	6.063	1.500	0.563	0.500	1.938	1.185	1.906	2.5
1-1/4, 1-3/8, 1-7/16	1.813	3.531	2.012	3.375	4.625	5.500	6.38	1.750	0.563	0.500	2.141	1.272	2.012	3.2
1-1/2	1.938	3.813	2.224	3.750	4.938	5.813	6.875	1.750	0.625	0.500	2.250	1.374	2.217	3.6
1-11/16, 1-3/4	2.063	4.063	2.441	4.000	5.313	6.188	7.250	1.875	0.750	0.500	2.313	1.374	2.217	4.3
1-15/16	2.188	4.313	2.646	4.250	5.813	6.688	7.875	2.125	0.750	0.625	2.563	1.500	2.469	5.3
2, 2-3/16	2.438	4.781	2.933	4.688	6.063	7.438	8.625	2.375	0.813	0.625	2.906	1.717	2.811	6.8
2-7/16	2.688	5.281	3.228	5.188	6.938	8.063	9.250	2.375	0.875	0.625	3.031	1.838	3.063	9.1

Part Numbers are specified by "PB220HW" and Bore Size; Example: PB220HW x 1-7/16.

For Load Ratings, see page M-14. For Comparison Charts, see page M-43.

For replacement inserts use YW220 Bearing Inserts, see page M-36.

T-Zerk: 1/4-28 Taper

#### PB221HW Series – For High Shaft Heights

SHAFT SIZE	DIMENSIONS													WT. LBS.
	A	B	C	D	E		F	G	H	J	L	M	S	
					MIN.	MAX.								
1	1.438	2.750	1.472	2.500	3.625	4.500	5.375	1.500	0.625	0.375	1.813	1.059	1.748	1.9
1-3/16	1.688	3.219	1.736	2.938	4.250	5.125	6.063	1.500	0.688	0.500	1.938	1.185	1.906	2.6
1-1/4, 1-3/8, 1-7/16	1.875	3.594	2.012	3.375	4.625	5.500	6.438	1.750	0.625	0.500	2.141	1.272	2.012	3.3
1-1/2	2.000	3.875	2.224	3.750	4.938	5.813	6.875	1.750	0.688	0.500	2.250	1.374	2.217	3.9
1-11/16, 1-3/4	2.125	4.250	2.441	4.000	5.313	6.188	7.250	1.875	0.813	0.500	2.313	1.374	2.217	4.6
1-15/16	2.250	4.375	2.646	4.250	5.813	6.688	7.875	2.125	0.813	0.625	2.563	1.500	2.469	5.6
2, 2-3/16	2.500	4.844	2.933	4.688	6.063	7.438	8.625	2.375	0.875	0.625	2.906	1.717	2.811	6.8
2-7/16	2.750	5.344	3.228	5.188	6.938	8.063	9.250	2.375	0.938	0.625	3.031	1.838	3.063	9.6

Part Numbers are specified by "PB221HW" and Bore Size; Example: PB221HW x 1-1/2.

For Load Ratings, see page M-14. For Comparison Charts, see page M-43.

For replacement inserts use YW220 Bearing Inserts, see page M-36.

T-Zerk: 1/4-28 Taper

Dimensions shown are for reference only.

DOWNLOAD AVAILABLE CAD MODELS AT: [WWW.HUBCITYINC.COM](http://WWW.HUBCITYINC.COM)

**Certified prints are available upon request**

EMAIL: [hubsales@regalbeloit.com](mailto:hubsales@regalbeloit.com) • [www.hubcityinc.com](http://www.hubcityinc.com)

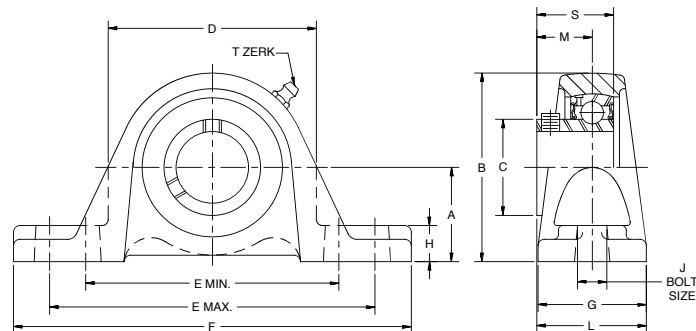


# Hub City IndustriaLine™ Bearing Units

## Cast Iron Pillow Blocks

### Series PB250, PB251

- Relube type. Prelubricated at factory
- Setscrew locking
- Self-aligning replaceable bearing
- Nitrile rubber seals with steel trash guard
- Precision bored Cast Iron housing



### PB250 Series – For Low Shaft Heights

SHAFT SIZE	DIMENSIONS													WT. LBS.
	A	B	C	D	E		F	G	H	J	L	M	S	
					MIN.	MAX.								
1/2, 5/8	1.063	2.125	0.953	1.938	3.000	3.938	4.875	1.250	0.500	0.375	1.297	0.626	0.870	1.2
3/4	1.250	2.500	1.110	2.250	3.250	4.125	5.125	1.375	0.500	0.375	1.406	0.720	1.004	1.8
7/8, 15/16, 1	1.313	2.625	1.328	2.500	3.500	4.500	5.500	1.500	0.500	0.375	1.516	0.768	1.071	2.3
1-1/8, 1-3/16, 1-1/4S	1.563	3.125	1.563	3.000	4.250	5.125	6.375	1.750	0.625	0.500	1.695	0.827	1.189	2.8
1-1/4, 1-3/8, 1-7/16	1.813	3.625	1.815	3.438	4.688	5.500	6.750	1.875	0.625	0.500	1.851	0.917	1.299	3.6
1-1/2	1.938	3.938	2.039	3.875	5.125	5.938	7.125	1.875	0.750	0.500	1.938	0.996	1.417	4.5
1-5/8, 1-11/16, 1-3/4	2.063	4.188	2.236	4.125	5.375	6.250	7.375	2.000	0.750	0.500	2.018	1.016	1.457	5.1
1-15/16, 2S	2.188	4.38	2.461	4.313	5.813	6.750	8.375	2.000	0.750	0.625	2.093	1.087	1.528	6.0
2, 2-3/16	2.438	4.938	2.719	4.750	6.375	7.438	9.000	2.250	0.875	0.625	2.406	1.280	1.772	8.2
2-1/4, 2-7/16	2.688	5.500	2.978	5.250	6.750	8.125	9.625	2.500	1.125	0.625	2.625	1.378	1.909	10.9
2-15/16	3.250	6.500	3.624	6.250	7.875	9.625	11.250	3.000	1.125	0.750	3.031	1.535	2.106	16.9

Part Numbers are specified by "PB250" and Bore Size.  
Example: PB250 x 1-11/16.

For Load Ratings, see page M-14. For Comparison Charts, see page M-43.

For replacement inserts use B250 Bearing Inserts, see page M-35.

T-Zerk: 1/4-28 Taper

### PB251 Series – For High Shaft Heights

SHAFT SIZE	DIMENSIONS													WT. LBS.
	A	B	C	D	E		F	G	H	J	L	M	S	
					MIN.	MAX.								
1/2, 5/8	1.188	2.250	0.953	1.938	3.000	3.938	4.875	1.250	0.625	0.375	1.297	0.626	0.870	1.3
3/4	1.313	2.563	1.110	2.250	3.250	4.125	5.125	1.375	0.563	0.375	1.406	0.720	1.004	1.9
7/8, 15/16, 1	1.438	2.750	1.328	2.500	3.500	4.500	5.500	1.500	0.625	0.375	1.516	0.768	1.071	2.4
1-1/8, 1-3/16, 1-1/4S	1.688	3.250	1.563	3.000	4.250	5.125	6.375	1.750	0.750	0.500	1.695	0.827	1.189	2.9
1-1/4, 1-3/8, 1-7/16	1.875	3.688	1.815	3.438	4.688	5.500	6.750	1.875	0.688	0.500	1.851	0.917	1.299	4.0
1-1/2	2.000	4.000	2.039	3.875	5.125	5.938	7.125	1.875	0.813	0.500	1.938	0.996	1.417	4.6
1-5/8, 1-11/16, 1-3/4	2.125	4.250	2.236	4.125	5.375	6.250	7.375	2.000	0.813	0.500	2.018	1.016	1.457	5.2
1-15/16, 2S	2.250	4.500	2.461	4.313	5.813	6.750	8.375	2.000	0.813	0.625	2.093	1.087	1.528	6.2
2, 2-3/16	2.500	5.000	2.719	4.750	6.375	7.438	9.000	2.250	0.938	0.625	2.406	1.280	1.772	8.4
2-1/4, 2-7/16	2.750	5.563	2.978	5.250	6.750	8.125	9.625	2.500	1.188	0.625	2.625	1.378	1.909	11.1
2-15/16	3.313	6.500	3.624	6.250	7.875	9.625	11.250	3.000	1.188	0.750	3.031	1.535	2.106	17.1

Part Numbers are specified by "PB251" and Bore Size. Example: PB251 x 1-5/8.

For Load Ratings, see page M-14. For Comparison Charts, see page M-43.

For replacement inserts use B250 Bearing Inserts, see page M-35.

\* PB251 x 1-1/2 with 2-1/8" "A" dimension available as special.

T-Zerk: 1/4-28 Taper

Dimensions shown are for reference only.

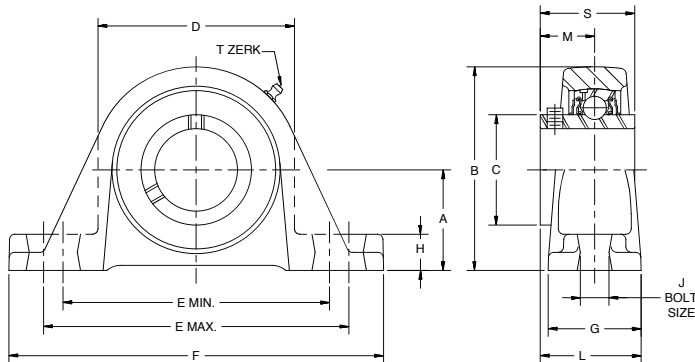
DOWNLOAD AVAILABLE CAD MODELS AT: [WWW.HUBCITYINC.COM](http://WWW.HUBCITYINC.COM)

**Certified prints are available upon request**

# Hub City IndustrialLine™ Bearing Units

## Cast Iron Pillow Blocks

### Series PB250W, PB251W



- Relube type. Prelubricated at factory
- Setscrew locking
- Self-aligning replaceable bearing
- Nitrile rubber seals with steel flingers
- Precision bored Cast Iron housing
- Wide inner race

IndustrialLine™ Bearings



#### PB250W Series – For Low Shaft Heights

SHAFT SIZE	DIMENSIONS													WT. LBS.
	A	B	C	D	E		F	G	H	J	L	M	S	
					MIN.	MAX.								
5/8	1.063	2.125	0.953	1.938	3.000	3.938	4.875	1.250	0.500	0.375	1.266	0.670	1.079	1.2
3/4	1.250	2.500	1.110	2.250	3.250	4.125	5.125	1.375	0.500	0.375	1.406	0.720	1.220	1.8
1	1.313	2.625	1.328	2.500	3.500	4.500	5.500	1.500	0.500	0.375	1.531	0.780	1.343	2.3
1-3/16, 1-1/4S	1.563	3.125	1.563	3.000	4.250	5.125	6.375	1.750	0.625	0.500	1.750	0.874	1.500	2.8
1-1/4, 1-7/16	1.813	3.625	1.815	3.438	4.688	5.500	6.750	1.875	0.625	0.500	1.938	1.000	1.689	3.5
1-1/2	1.938	3.938	2.039	3.875	5.125	5.938	7.125	1.875	0.750	0.500	2.125	1.189	1.937	4.5
1-3/4	2.063	4.188	2.236	4.125	5.375	6.250	7.375	2.000	0.750	0.500	2.188	1.189	1.937	5.1
1-15/16	2.188	4.438	2.461	4.313	5.813	6.750	8.375	2.000	0.750	0.625	2.281	1.283	2.031	6.0
2	2.438	4.938	2.719	4.750	6.375	7.438	9.000	2.250	0.875	0.625	2.438	1.315	2.189	8.2
2-7/16	2.688	5.500	2.978	5.250	6.750	8.125	9.625	2.500	1.125	0.625	2.813	1.566	2.563	10.9

Part Numbers are specified by "PB250W" and Bore Size. Example: PB250W x 1-11/16.

For Load Ratings, see page M-14. For Comparison Charts, see page M-43.

For replacement inserts use YW250 Bearing Inserts, see page M-36.

T-Zerk: 1/4-28 Taper

#### PB251W Series – For High Shaft Heights

SHAFT SIZE	DIMENSIONS													WT. LBS.
	A	B	C	D	E		F	G	H	J	L	M	S	
					MIN.	MAX.								
5/8	1.188	2.250	0.953	1.938	3.000	3.938	4.875	1.250	0.625	0.375	1.266	0.670	1.079	1.3
3/4	1.313	2.563	1.110	2.250	3.250	4.125	5.125	1.375	0.563	0.375	1.406	0.720	1.220	1.9
1	1.438	2.750	1.328	2.500	3.500	4.500	5.500	1.500	0.625	0.375	1.531	0.780	1.343	2.4
1-3/16, 1-1/4S	1.688	3.250	1.563	3.000	4.250	5.125	6.375	1.750	0.750	0.500	1.750	0.874	1.500	2.9
1-1/4, 1-7/16	1.875	3.688	1.815	3.438	4.688	5.500	6.750	1.875	0.688	0.500	1.938	1.000	1.689	4.0
1-1/2	2.000	4.000	2.039	3.875	5.125	5.938	7.125	1.875	0.813	0.500	2.125	1.189	1.937	4.6
1-3/4	2.125	4.250	2.236	4.125	5.375	6.250	7.375	2.000	0.813	0.500	2.188	1.189	1.937	5.2
1-15/16	2.250	4.500	2.461	4.313	5.813	6.750	8.375	2.000	0.813	0.625	2.281	1.283	2.031	6.2
2	2.500	5.000	2.719	4.750	6.375	7.438	9.000	2.250	0.938	0.625	2.438	1.315	2.189	8.4
2-7/16	2.750	5.563	2.978	5.250	6.750	8.125	9.625	2.500	1.188	0.625	2.813	1.566	2.563	11.1

Part Numbers are specified by "PB251W" and Bore Size.

Example: PB251W x 1-5/8.

For Load Ratings, see page M-14. For Comparison Charts, see page M-43.

For replacement inserts use YW250 Bearing Inserts, see page M-36.

\* PB251W x 1-1/2 with 2-1/8" "A" dimension available as special.

T-Zerk: 1/4-28 Taper

Dimensions shown are for reference only.

DOWNLOAD AVAILABLE CAD MODELS AT: [WWW.HUBCITYINC.COM](http://WWW.HUBCITYINC.COM)

**Certified prints are available upon request**

EMAIL: [hubsales@regalbeloit.com](mailto:hubsales@regalbeloit.com) • [www.hubcityinc.com](http://www.hubcityinc.com)

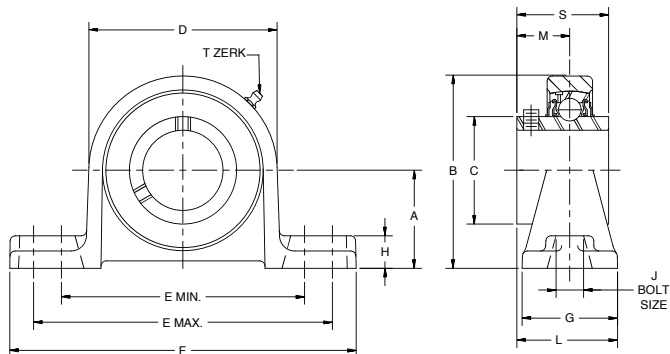


# Hub City IndustriaLine™ Bearing Units

## Hub-Alloy® Pillow Blocks

### Series PB250HW, PB251HW

- Relube type. Prelubricated at factory
- Setscrew locking
- Self-aligning replaceable bearing
- Nitrile rubber seals with steel flingers
- Precision bored HUB-ALLOY® housing
- Higher strength and greater impact resistance than gray iron for high shock loads
- Wide inner race



### PB250HW Series - For Low Shaft Heights

SHAFT SIZE	DIMENSIONS													WT. LBS.
	A	B	C	D	E		F	G	H	J	L	M	S	
					MIN.	MAX.								
5/8	1.063	2.156	0.953	1.938	2.938	3.813	4.625	1.188	0.438	0.375	1.234	0.646	1.079	0.8
3/4	1.250	2.469	1.110	2.250	3.313	4.188	5.000	1.375	0.438	0.375	1.406	0.720	1.220	1.0
1	1.313	2.625	1.328	2.500	3.625	4.500	5.375	1.500	0.500	0.375	1.531	0.780	1.343	1.6
1-3/16, 1-1/4S	1.563	3.094	1.563	2.938	4.250	5.125	6.063	1.500	0.563	0.500	1.625	0.874	1.500	2.1
1-1/4, 1-7/16	1.813	3.531	1.815	3.375	4.625	5.500	6.438	1.750	0.563	0.500	1.875	1.000	1.689	2.9
1-1/2	1.938	3.813	2.039	3.750	4.938	5.813	6.875	1.750	0.625	0.500	2.063	1.189	1.937	3.5
1-3/4	2.063	4.063	2.236	4.000	5.313	6.188	7.250	1.875	0.750	0.500	2.125	1.189	1.937	4.2
1-15/16	2.188	4.313	2.461	4.250	5.813	6.688	7.875	2.125	0.750	0.625	2.344	1.283	2.031	5.1
2	2.438	4.781	2.719	4.688	6.063	7.438	8.625	2.375	0.813	0.625	2.500	1.315	2.189	6.1
2-7/16	2.688	5.281	2.978	5.188	6.938	8.063	9.250	2.375	0.875	0.625	2.750	1.566	2.563	9.4

Part Numbers are specified by "PB250HW" and Bore Size. Example: PB250HW x 1 11/16.

For Load Ratings, see page M-14. For Comparison Charts, see page M-43.

For replacement inserts use YW250 Bearing Inserts, see page M-36.

T-Zerk: 1/4-28 Taper

### PB251HW Series - For High Shaft Heights

SHAFT SIZE	DIMENSIONS													WT. LBS.
	A	B	C	D	E		F	G	H	J	L	M	S	
					MIN.	MAX.								
5/8	1.188	2.281	0.953	1.938	2.938	3.813	4.625	1.188	0.563	0.375	1.234	0.646	1.079	0.9
3/4	1.313	2.531	1.110	2.250	3.313	4.188	5.000	1.375	0.500	0.375	1.406	0.720	1.220	1.1
1	1.438	2.750	1.328	2.500	3.625	4.500	5.375	1.500	0.625	0.375	1.531	0.780	1.343	1.7
1-3/16, 1-1/4S	1.688	3.219	1.563	2.938	4.250	5.125	6.063	1.500	0.688	0.500	1.625	0.874	1.500	2.5
1-1/4, 1-7/16	1.875	3.594	1.815	3.375	4.625	5.500	6.438	1.750	0.625	0.500	1.875	1.000	1.689	2.9
1-1/2	2.000	3.875	2.039	3.750	4.938	5.813	6.875	1.750	0.688	0.500	2.063	1.189	1.937	3.6
1-3/4	2.125	4.125	2.236	4.000	5.313	6.188	7.250	1.875	0.813	0.500	2.125	1.189	1.937	4.2
1-15/16	2.250	4.375	2.461	4.250	5.813	6.688	7.875	2.125	0.813	0.625	2.344	1.283	2.031	5.2
2	2.500	4.844	2.719	4.688	6.063	7.438	8.625	2.375	0.875	0.625	2.500	1.315	2.189	6.1
2-7/16	2.750	5.344	2.978	5.188	6.938	8.063	9.250	2.375	0.938	0.625	2.750	1.566	2.563	9.4

Part Numbers are specified by "PB251HW" and Bore Size.

Example: PB251HW x 1 5/8.

For Load Ratings, see page M-14. For Comparison Charts, see page M-43.

For replacement inserts use YW250 Bearing Inserts, see page M-36.

T-Zerk: 1/4-28 Taper

Dimensions shown are for reference only.

DOWNLOAD AVAILABLE CAD MODELS AT: [WWW.HUBCITYINC.COM](http://WWW.HUBCITYINC.COM)

**Certified prints are available upon request**

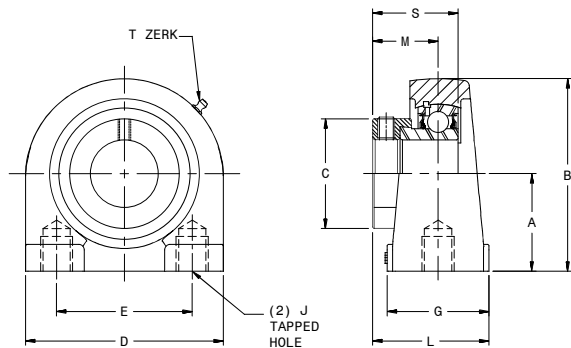
CALL: (605) 225-0360 • FAX: (605) 225-0567



# Hub City IndustrialLine™ Bearing Units

## Cast Iron Tapped Base Pillow Blocks

### Series TPB220, TPB220W TPB220 Series



- Relube type. Prelubricated at factory
- Eccentric locking collar
- Self-aligning replaceable bearing
- Nitrile rubber seals with steel trash guard
- Precision bored Cast Iron housing
- Space saving tapped base design

IndustrialLine™ Bearings



SHAFT SIZE	DIMENSIONS										WT. LBS.
	A	B	C	D	E	G	J – TAPPED HOLES	L	M	S	
1/2, 5/8	1.312	2.560	1.071	2.870	2.000	1.500	3/8-16UNC X .50	1.400	0.870	1.126	0.8
3/4	1.312	2.560	1.275	2.870	2.000	1.500	3/8-16UNC X .50	1.480	0.925	1.220	0.9
7/8, 1	1.437	2.800	1.472	3.000	2.000	1.500	3/8-16UNC X .50	1.528	0.925	1.220	1.4
1-1/8, 1-3/16, 1-1/4s	1.687	3.380	1.736	4.010	3.000	1.500	7/16-14UNC X .63	1.801	1.051	1.406	2.0
1-1/4, 1-3/8, 1-7/16	1.875	3.740	2.012	4.250	3.250	1.890	1/2-14UNC X .78	2.102	1.157	1.531	2.6
1-1/2	1.937	3.940	2.224	4.610	3.500	1.890	1/2-13UNC X .78	2.167	1.268	1.720	3.5
1-11/16, 1-3/4	2.125	4.250	2.441	5.000	3.750	2.000	1/2-13UNC X .78	2.262	1.287	1.720	4.9
1-15/16, 2S	2.250	4.650	2.645	5.500	4.000	2.000	5/8-11UNC X .90	2.401	1.287	1.820	5.1
2, 2-3/16	2.250	4.650	2.933	5.500	4.000	2.000	5/8-11UNC X .98	2.440	1.439	1.911	5.2

Part Numbers are specified by "TPB220" and Bore Size.

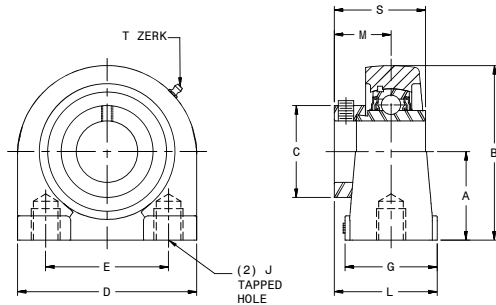
Example: TPB220 x 5/8.

For Load Ratings, see page M-14. For Comparison Charts, see page M-42.

For replacement inserts use B220 Bearing Inserts, see page M-35.

T-Zerk: 1/4-28 Taper

### TPB220W Series



- Relube type. Prelubricated at factory
- Eccentric locking collar
- Self-aligning replaceable bearing
- Nitrile rubber seals with steel flingers
- Precision bored Cast Iron housing
- Space saving tapped base design
- Wide inner race

SHAFT SIZE	DIMENSIONS										WT. LBS.
	A	B	C	D	E	G	J – TAPPED HOLES	L	M	S	
1	1.437	2.800	1.472	3.000	2.000	1.500	3/8-16UNC X .50	1.524	1.059	1.748	1.5
1-3/16	1.687	3.380	1.736	4.000	3.000	1.500	7/16-14UNC X .63	1.620	1.185	1.906	2.2
1-1/4, 1-3/8, 1-7/16	1.875	3.740	2.012	4.250	3.250	1.890	1/2-13UNC X .78	1.866	1.272	2.012	2.8
1-1/2	1.937	3.940	2.224	4.610	3.500	1.890	1/2-13UNC X .78	1.927	1.374	2.217	3.8
1-11/16, 1-3/4	2.125	4.250	2.441	5.000	3.750	2.000	1/2-13UNC X .78	2.247	1.374	2.217	5.2
1-15/16	2.250	4.650	2.646	5.500	4.000	2.000	5/8-11UNC X .90	2.320	1.500	2.469	5.6
2, 2-3/16	2.250	4.650	2.933	5.500	4.000	2.000	5/8-11UNC X .98	2.320	1.717	2.811	5.7

Part Numbers are specified by "TPB220W" and Bore Size.

Example: TPB220W x 5/8.

For Load Ratings, see page M-14. For Comparison Charts, see page M-42.

For replacement inserts use YW220 Bearing Inserts, see page M-36.

T-Zerk: 1/4-28 Taper

Dimensions shown are for reference only.

DOWNLOAD AVAILABLE CAD MODELS AT: [WWW.HUBCITYINC.COM](http://WWW.HUBCITYINC.COM)

**Certified prints are available upon request**

EMAIL: [hubsales@regalbeloit.com](mailto:hubsales@regalbeloit.com) • [www.hubcityinc.com](http://www.hubcityinc.com)



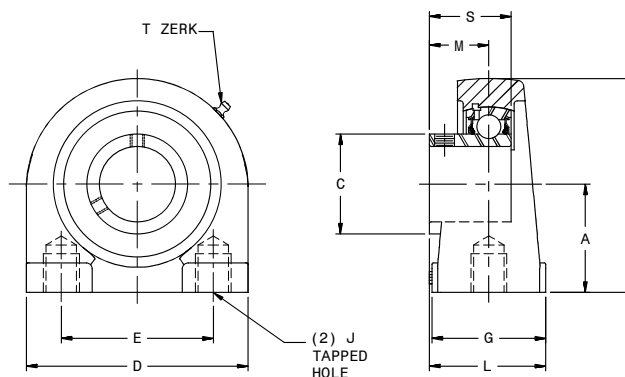
# Hub City IndustriaLine™ Bearing Units

## Cast Iron Tapped Base Pillow Blocks

### Series TPB250, TPB250W

#### TPB250 Series

- Relube type. Prelubricated at factory
- Setscrew locking
- Self-aligning replaceable bearing
- Nitrile rubber seals with steel trash guard
- Precision bored Cast Iron housing
- Space saving tapped base design



SHAFT SIZE	DIMENSIONS										WT. LBS.
	A	B	C	D	E	G	J – TAPPED HOLES	L	M	S	
1/2, 5/8	1.312	2.560	0.953	2.870	2.000	1.500	3/8-16UNC X .50	1.400	0.626	0.870	0.8
3/4	1.312	2.560	1.110	2.870	2.000	1.500	3/8-16UNC X .50	1.480	0.720	1.004	0.9
7/8, 1	1.437	2.800	1.328	3.000	2.000	1.500	3/8-16UNC X .50	1.528	0.768	1.071	1.4
1-1/8, 1-3/16, 1-1/4s	1.687	3.380	1.563	4.000	3.000	1.500	7/16-14UNC X .63	1.620	0.827	1.189	2.0
1-1/4, 1-3/8, 1-7/16	1.875	3.740	1.815	4.250	3.250	1.890	7/16-14UNC X .78	1.902	0.917	1.299	2.6
1-1/2	1.937	3.940	2.039	4.610	3.500	1.890	1/2-13UNC X .78	2.041	0.996	1.417	3.5
1-5/8, 1-11/16, 1-3/4	2.125	4.250	2.236	5.000	3.750	2.000	1/2-13UNC X .78	2.077	1.016	1.457	4.9
1-15/16, 2S	2.250	4.650	2.461	5.500	4.000	2.000	5/8-11UNC X .90	2.128	1.087	1.528	5.1
2, 2-3/16	2.250	4.650	2.719	5.500	4.000	2.000	5/8-11UNC X .98	2.309	1.280	1.772	5.2

Part Numbers are specified by "TPB250" and Bore Size.

Example: TPB250 x 5/8.

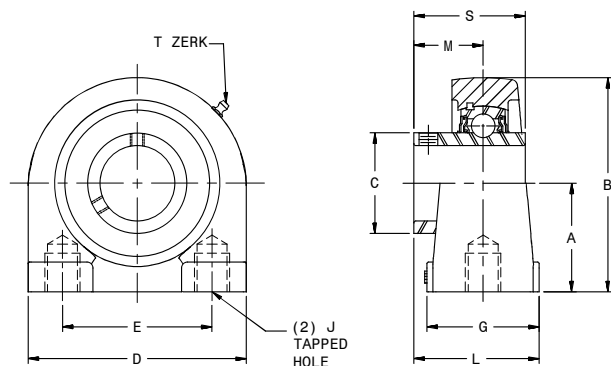
For Load Ratings, see page M-14. For Comparison Charts, see page M-42.

For replacement inserts use B250 Bearing Inserts, see page M-35.

T-Zerk: 1/4-28 Taper

#### TPB250W Series

- Relube type. Prelubricated at factory
- Setscrew locking
- Self-aligning replaceable bearing
- Nitrile rubber seals with steel flingers
- Precision bored Cast Iron housing
- Space saving tapped base design
- Wide inner race



SHAFT SIZE	DIMENSIONS										WT. LBS.
	A	B	C	D	E	G	J – TAPPED HOLES	L	M	S	
5/8	1.312	2.560	0.953	2.870	2.000	1.500	3/8-16UNC X .50	1.435	0.626	1.079	0.8
3/4	1.312	2.560	1.110	2.870	2.000	1.500	3/8-16UNC X .50	1.460	0.720	1.220	1.0
7/8, 1	1.437	2.800	1.328	3.000	2.000	1.500	3/8-16UNC X .50	1.524	0.780	1.343	1.5
1-1/8, 1-3/16, 1-1/4s	1.687	3.380	1.563	4.000	3.000	1.500	7/16-14UNC X .63	1.620	0.874	1.500	2.2
1-1/4, 1-3/8, 1-7/16	1.875	3.740	1.815	4.250	3.250	1.890	1/2-13UNC X .78	1.870	1.000	1.689	2.8
1-1/2	1.937	3.940	2.039	4.610	3.500	1.890	1/2-13UNC X .78	1.930	1.189	1.937	3.8
1-11/16, 1-3/4	2.125	4.250	2.236	5.000	3.750	2.000	1/2-13UNC X .78	2.250	1.189	1.937	5.2
1-15/16, 2s	2.250	4.650	2.461	5.500	4.000	2.000	5/8-11UNC X .90	2.320	1.283	2.031	5.6
2, 2-3/16	2.250	4.650	2.719	5.500	4.000	2.000	5/8-11UNC X .98	2.320	1.315	2.189	5.7

Part Numbers are specified by "TPB250W" and Bore Size.

Example: TPB250W x 5/8.

For Load Ratings, see page M-14. For Comparison Charts, see page M-42.

For replacement inserts use YW250 Bearing Inserts, see page M-36.

T-Zerk: 1/4-28 Taper

Dimensions shown are for reference only.

DOWNLOAD AVAILABLE CAD MODELS AT: [WWW.HUBCITYINC.COM](http://WWW.HUBCITYINC.COM)

**Certified prints are available upon request**

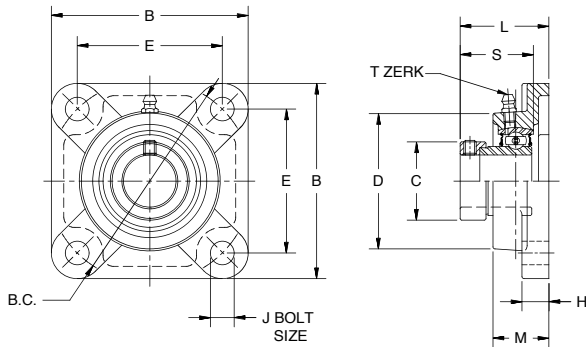
CALL: (605) 225-0360 • FAX: (605) 225-0567

# Hub City IndustrialLine™ Bearing Units

## Cast Iron Flange Blocks

### Series FB220, FB230

#### FB220 Four-Hole Flange Blocks



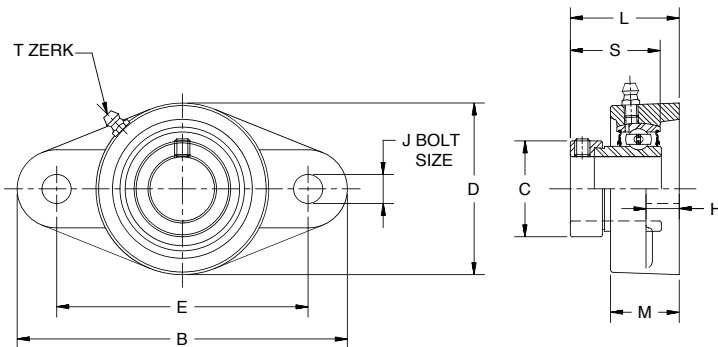
- Relube type. Pre-lubricated at factory
- Eccentric locking collar
- Self-aligning replaceable bearing
- Nitrile rubber seals with steel trash guard
- Precision bored Cast Iron housing

SHAFT SIZE	DIMENSIONS										WT. LBS.
	B	B.C.	C	D	E	H	J	L	M	S	
1/2, 5/8	3.000	3.000	1.071	2.090	2.120	0.430	0.450	1.481	1.000	1.126	1.0
3/4	3.380	3.563	1.275	2.360	2.520	0.470	0.470	1.535	1.000	1.220	1.4
7/8, 1	3.740	3.898	1.472	2.800	2.756	0.550	0.470	1.555	1.060	1.220	1.8
1-1/8, 1-3/16, 1-1/4s	4.250	4.625	1.736	3.190	3.268	0.550	0.470	1.799	1.220	1.406	2.6
1-1/4, 1-3/8, 1-7/16	4.610	5.125	2.012	3.620	3.622	0.630	0.550	1.945	1.340	1.531	4.3
1-1/2	5.120	5.677	2.224	4.090	4.016	0.630	0.630	2.193	1.420	1.720	5.3
1-11/16, 1-3/4	5.390	5.846	2.441	4.250	4.134	0.710	0.630	2.213	1.500	1.720	5.6
1-15/16, 2S	5.630	6.181	2.645	4.450	4.375	0.710	0.630	2.193	1.570	1.720	6.5
2, 2-3/16	6.380	7.236	2.933	4.920	5.118	0.780	0.750	2.481	1.690	1.911	9.1
2-7/16	6.880	7.960	3.228	5.310	5.630	0.780	0.750	2.701	1.890	2.091	12.0

Part Numbers are specified by "FB220" and Bore Size. Example: FB220 x 1/2.  
 For Load Ratings, see page M-14. For Comparison Charts, see page M-42.  
 For replacement inserts use B220 Bearing Inserts, see page M-35.  
 T-Zerk: 1/4-28 Taper

**NOTE: BEARINGS WITH ECCENTRIC LOCKING COLLARS ARE NOT RECOMMENDED FOR USE IN REVERSING APPLICATIONS.**

#### FB230 Two-Hole Flange Blocks



- Relube type. Pre-lubricated at factory
- Eccentric locking collar
- Self-aligning replaceable bearing
- Nitrile rubber seals with steel trash guard
- Precision bored Cast Iron housing

SHAFT SIZE	DIMENSIONS									WT. LBS.
	B	C	D	E	H	J	L	M	S	
1/2, 5/8	4.410	1.071	2.360	3.000	0.430	0.410	1.562	0.980	1.126	1.0
3/4	4.410	1.275	2.360	3.531	0.430	0.410	1.508	0.980	1.220	1.3
7/8, 1	4.880	1.472	2.760	3.890	0.510	0.490	1.551	1.060	1.220	1.9
1-1/8, 1-3/16, 1-1/4s	5.550	1.736	3.270	4.594	0.510	0.490	1.795	1.180	1.406	2.7
1-1/4, 1-3/8, 1-7/16	6.140	2.012	3.740	5.125	0.550	0.550	1.949	1.340	1.531	3.1
1-1/2	6.730	2.224	4.130	5.657	0.550	0.550	2.193	1.500	1.720	3.6
1-11/16, 1-3/4	7.050	2.441	4.370	5.843	0.550	0.630	2.205	1.570	1.720	4.3
1-15/16, 2S	7.440	2.645	4.570	6.189	0.550	0.630	2.201	1.570	1.720	5.3
2, 2-3/16	8.500	2.933	5.240	7.252	0.830	0.710	2.513	1.730	1.911	7.6

Part Numbers are specified by "FB230" and Bore Size. Example: FB230 x 7/8.  
 For Load Ratings, see page M-14. For Comparison Charts, see page M-42.  
 For replacement inserts use B220 Bearing Inserts, see page M-35.  
 T-Zerk: 1/4-28 Taper

**NOTE: BEARINGS WITH ECCENTRIC LOCKING COLLARS ARE NOT RECOMMENDED FOR USE IN REVERSING APPLICATIONS.**

DOWNLOAD AVAILABLE CAD MODELS AT: [WWW.HUBCITYINC.COM](http://WWW.HUBCITYINC.COM)

Certified prints are available upon request

† DIMENSIONS SHOWN ARE FOR REFERENCE ONLY.

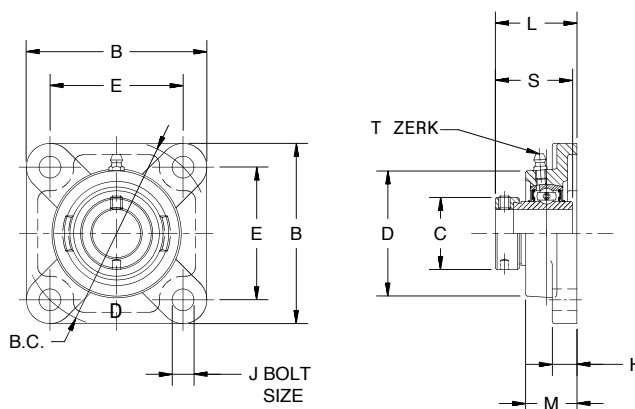
# Hub City IndustriaLine™ Bearing Units

## Hub-Alloy® Flange Blocks

### Series FB220HW, FB230HW

#### FB220HW Four-Hole Flange Blocks

- Relube type. Prelubricated at factory
- Eccentric locking collar
- Self-aligning replaceable bearing
- Nitrile rubber seals with steel flingers
- Precision bored HUB-ALLOY® housing
- Higher strength and greater impact resistance than gray iron for high shock loads
- Wide inner race



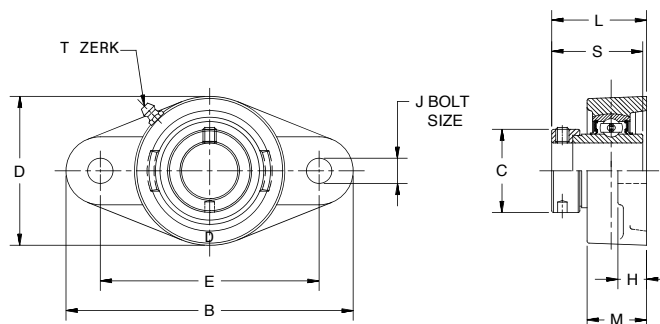
SHAFT SIZE	DIMENSIONS										WT. LBS.
	B	B.C.	C	D	E	H	J	L	M	S	
7/8, 1	3.660	3.889	1.472	2.750	2.750	0.590	0.453	1.807	1.180	1.748	2.1
1-1/8, 1-3/16, 1-1/4s	4.180	4.596	1.736	3.150	3.250	0.630	0.512	1.973	1.280	1.906	2.9
1-1/4, 1-3/8, 1-7/16	4.560	5.127	2.012	3.540	3.625	0.670	0.512	2.094	1.380	2.012	3.9
1-1/2	5.080	5.656	2.224	4.020	4.000	0.670	0.551	2.317	1.540	2.217	4.9
1-11/16, 1-3/4	5.310	5.834	2.441	4.250	4.125	0.710	0.630	2.317	1.570	2.217	5.8
1-15/16, 2s	5.630	6.187	2.646	4.490	4.375	0.790	0.630	2.603	1.770	2.469	6.5
2, 2-3/16	6.380	7.248	2.933	4.960	5.125	0.830	0.670	2.937	1.930	2.811	9.0
2-1/4, 2-7/16	6.890	7.955	3.228	5.390	5.625	0.870	0.670	3.181	2.110	3.063	10.7

Part Numbers are specified by "FB220HW" and Bore Size. Example: FB220HW x 3/4.  
 For Load Ratings, see page M-14. For Comparison Charts, see page M-44.  
 For replacement inserts use YW220 Bearing Inserts, see page M-36.  
 T-Zerk: 1/4-28 Taper

**NOTE: BEARINGS WITH ECCENTRIC LOCKING COLLARS ARE NOT RECOMMENDED FOR USE IN REVERSING APPLICATIONS.**

#### FB230HW Two-Hole Flange Blocks

- Relube type. Prelubricated at factory
- Eccentric locking collar
- Self-aligning replaceable bearing
- Nitrile rubber seals with steel flingers
- Precision bored HUB-ALLOY® housing
- Higher strength and greater impact resistance than gray iron for high shock loads
- Wide inner race



SHAFT SIZE	DIMENSIONS										WT. LBS.
	B	C	D	E	H	J	L	M	S		
7/8, 1	4.880	1.472	2.760	3.890	0.510	0.492	1.807	1.320	1.748	2.0	
1-1/8, 1-3/16, 1-1/4s	5.550	1.736	3.230	4.594	0.510	0.492	1.996	1.380	1.906	2.9	
1-1/4, 1-3/8, 1-7/16	6.140	2.012	3.740	5.125	0.590	0.551	2.114	1.470	2.012	3.3	
1-1/2	6.770	2.224	4.130	5.657	0.590	0.551	2.311	1.690	2.217	3.9	
1-11/16, 1-3/4	7.050	2.441	4.370	5.843	0.590	0.630	2.311	1.750	2.217	4.6	
1-15/16, 2s	7.440	2.646	4.560	6.189	0.590	0.630	2.626	1.880	2.469	5.8	
2, 2-3/16	8.500	2.933	5.240	7.252	0.830	0.709	2.969	2.000	2.811	8.1	

Part Numbers are specified by "FB230HW" and Bore Size. Example: FB230HW x 7/8.  
 For Load Ratings, see page M-14. For Comparison Charts, see page M-44.  
 For replacement inserts use YW220 Bearing Inserts, see page M-36.  
 T-Zerk: 1/4-28 Taper

**NOTE: BEARINGS WITH ECCENTRIC LOCKING COLLARS ARE NOT RECOMMENDED FOR USE IN REVERSING APPLICATIONS.**

† DIMENSIONS SHOWN ARE FOR REFERENCE ONLY.

DOWNLOAD AVAILABLE CAD MODELS AT: [WWW.HUBCITYINC.COM](http://WWW.HUBCITYINC.COM)

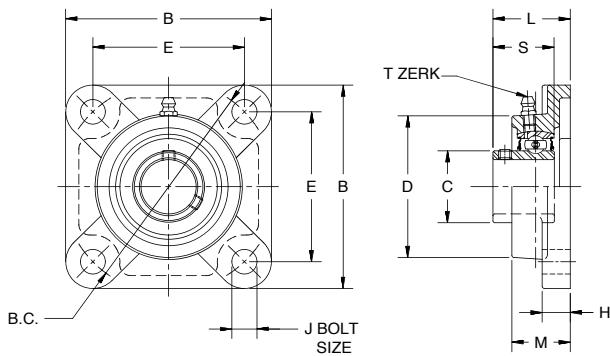
Certified prints are available upon request

# Hub City IndustrialLine™ Bearing Units

## Cast Iron Pillow Blocks

### Series FB250, FB260

#### FB250 Four-Hole Flange Blocks



- Relube type. Prelubricated at factory
- Setscrew locking
- Self-aligning replaceable bearing
- Nitrile rubber seals with steel trash guard
- Precision bored Cast Iron housing

SHAFT SIZE	DIMENSIONS										WT. LBS.
	B	B.C.	C	D	E	H	J	L	M	S	
1/2, 5/8	3.000	3.000	0.953	2.090	2.126	0.430	0.450	1.240	1.000	0.870	1.0
3/4	3.380	3.563	1.110	2.360	2.520	0.470	0.470	1.320	1.000	1.004	1.4
7/8, 1	3.740	3.898	1.328	2.800	2.756	0.550	0.470	1.406	1.060	1.071	1.8
1-1/8, 1-3/16, 1-1/4s	4.250	4.625	1.563	3.190	3.268	0.550	0.470	1.536	1.220	1.189	2.6
1-1/4, 1-3/8, 1-7/16	4.610	5.125	1.815	3.620	3.622	0.630	0.550	1.704	1.340	1.299	4.2
1-1/2	5.120	5.677	2.039	4.090	4.016	0.630	0.630	1.921	1.420	1.417	5.3
1-5/8, 1-11/16, 1-3/4	5.390	5.846	2.236	4.250	4.134	0.710	0.630	1.914	1.500	1.457	5.7
1-15/16, 2S	5.630	6.181	2.461	4.450	4.375	0.710	0.630	1.957	1.570	1.693	6.6
2, 2-3/16	6.380	7.236	2.719	4.920	5.118	0.780	0.750	2.292	1.690	1.772	9.0
2-1/4, 2-7/16	6.880	7.960	2.980	5.310	5.630	0.780	0.750	2.701	1.890	2.091	12.0
2-15/16	7.750	8.463	3.620	6.380	5.984	0.940	0.906	2.992	2.360	2.106	17.6

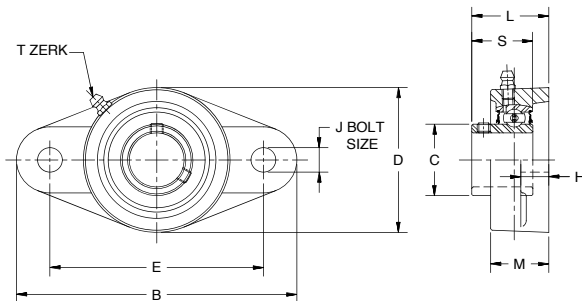
Part Numbers are specified by "FB250" and Bore Size. Example: FB250 x 3/4.  
For Load Ratings, see page M-14. For Comparison Charts, see page M-44.

For replacement inserts use B250 Bearing Inserts, see page M-35.  
T-Zerk: 1/4-28 Taper

IndustrialLine™ Bearings



#### FB260 Two-Hole Flange Blocks



- Relube type. Prelubricated at factory
- Setscrew locking
- Self-aligning replaceable bearing
- Nitrile rubber seals with steel trash guard
- Precision bored Cast Iron housing

SHAFT SIZE	DIMENSIONS									WT. LBS.
	B	C	D	E	H	J	L	M	S	
1/2, 5/8	4.410	0.953	2.360	3.000	0.430	0.410	1.323	0.980	0.870	0.8
3/4	4.410	1.110	2.360	3.531	0.430	0.410	1.303	0.980	1.004	1.0
7/8, 1	4.880	1.328	2.760	3.890	0.510	0.490	1.410	1.060	1.071	1.4
1-1/8, 1-3/16, 1-1/4s	5.550	1.563	3.270	4.594	0.510	0.490	1.577	1.180	1.189	1.9
1-1/4, 1-3/8, 1-7/16	6.140	1.815	3.740	5.125	0.550	0.550	1.783	1.340	1.299	2.9
1-1/2	6.730	2.039	4.130	5.657	0.550	0.550	1.922	1.500	1.417	3.9
1-5/8, 1-11/16, 1-3/4	7.050	2.236	4.370	5.843	0.550	0.630	1.776	1.570	1.457	4.5
1-15/16, 2S	7.440	2.461	4.570	6.189	0.550	0.630	1.954	1.570	1.528	4.9
2, 2-3/16	8.500	2.719	5.240	7.252	0.830	0.710	2.202	1.730	1.772	6.5

Part Numbers are specified by "FB260" and Bore Size. Example: FB260 x 1-1/8.  
For Load Ratings, see page M-14. For Comparison Charts, see page M-44.

For replacement inserts use B250 Bearing Inserts, see page M-35.  
T-Zerk: 1/4-28 Taper

DOWNLOAD AVAILABLE CAD MODELS AT: [WWW.HUBCITYINC.COM](http://WWW.HUBCITYINC.COM)

Certified prints are available upon request

⚠ DIMENSIONS SHOWN ARE FOR REFERENCE ONLY.

EMAIL: [hubsales@regalbeloit.com](mailto:hubsales@regalbeloit.com) • [www.hubcityinc.com](http://www.hubcityinc.com)



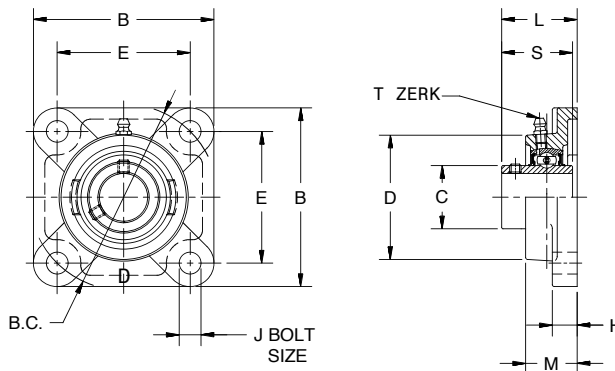
# Hub City IndustriaLine™ Bearing Units

## Hub-Alloy® Flange Blocks

### Series FB250HW, FB260HW

#### FB250HW Four-Hole Flange Blocks

- Relube type. Prelubricated at factory
- Setscrew locking
- Self-aligning replaceable bearing
- Nitrile rubber seals with steel flingers
- Precision bored HUB-ALLOY® housing
- Higher strength and greater impact resistance than gray iron for high shock loads
- Wide inner race



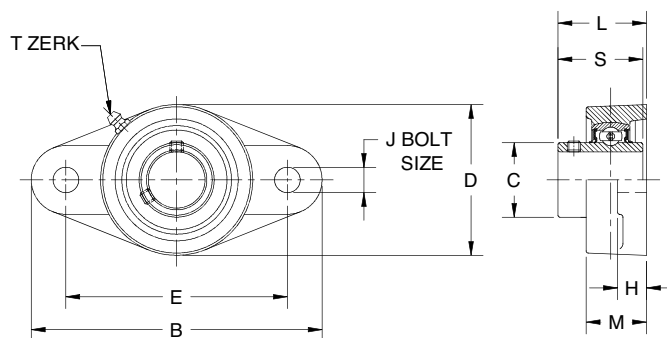
SHAFT SIZE	DIMENSIONS										WT. LBS.
	B	B.C.	C	D	E	H	J	L	M	S	
3/4	3.380	3.563	1.110	2.400	2.500	0.590	0.453	1.486	1.160	1.220	1.5
7/8, 1	3.660	3.889	1.328	2.750	2.750	0.590	0.453	1.527	1.180	1.343	1.9
1-1/8, 1-3/16, 1-1/4s	4.180	4.596	1.563	3.150	3.250	0.630	0.512	1.661	1.280	1.500	2.8
1-1/4, 1-3/8, 1-7/16	4.560	5.127	1.815	3.540	3.625	0.670	0.512	1.826	1.380	1.689	4.4
1-1/2	5.080	5.656	2.039	4.020	4.000	0.670	0.551	2.133	1.540	1.937	5.6
1-11/16, 1-3/4	5.310	5.834	2.236	4.250	4.125	0.710	0.630	2.133	1.570	1.937	6.0
1-15/16, 2S	5.630	6.187	2.461	4.490	4.375	0.790	0.630	2.386	1.770	2.031	7.1
2, 2-3/16	6.380	7.248	2.719	4.960	5.125	0.830	0.670	2.535	1.930	2.189	9.5
2-7/16	6.890	7.955	2.978	5.390	5.625	0.870	0.670	2.889	2.110	2.563	12.4

Part Numbers are specified by "FB250HW" and Bore Size. Example: FB250HW x 3/4. For Load Ratings, see page M-14. For Comparison Charts, see page M-44.

For replacement inserts use YW250 Bearing Inserts, see page M-36. T-Zerk: 1/4-28 Taper

#### FB260HW Two-Hole Flange Blocks

- Relube type. Prelubricated at factory
- Setscrew locking
- Self-aligning replaceable bearing
- Nitrile rubber seals with steel flingers
- Precision bored HUB-ALLOY® housing
- Higher strength and greater impact resistance than gray iron for high shock loads
- Wide inner race



SHAFT SIZE	DIMENSIONS									WT. LBS.
	B	C	D	E	H	J	L	M	S	
3/4	4.410	1.110	2.360	3.531	0.430	0.413	1.468	1.260	1.220	1.1
7/8, 1	4.880	1.328	2.760	3.890	0.510	0.492	1.527	1.320	1.343	1.5
1-1/8, 1-3/16, 1-1/4s	5.550	1.563	3.230	4.594	0.510	0.492	1.685	1.380	1.500	2.1
1-1/4, 1-3/8, 1-7/16	6.140	1.815	3.740	5.125	0.590	0.551	1.842	1.470	1.689	3.1
1-1/2	6.770	2.039	4.130	5.657	0.590	0.551	2.125	1.690	1.937	4.2
1-11/16, 1-3/4	7.050	2.236	4.370	5.843	0.590	0.630	2.125	1.750	1.937	4.8
1-15/16, 2S	7.440	2.461	4.560	6.189	0.590	0.630	2.410	1.880	2.031	5.2
2, 2-3/16	8.500	2.719	5.240	7.252	0.830	0.709	2.567	2.000	2.189	7.0

Part Numbers are specified by "FB260HW" and Bore Size. Example: FB260HW x 1-1/8. For Load Ratings, see page M-14. For Comparison Charts, see page M-44.

For replacement inserts use YW250 Bearing Inserts, see page M-36. T-Zerk: 1/4-28 Taper

¶ DIMENSIONS SHOWN ARE FOR REFERENCE ONLY.

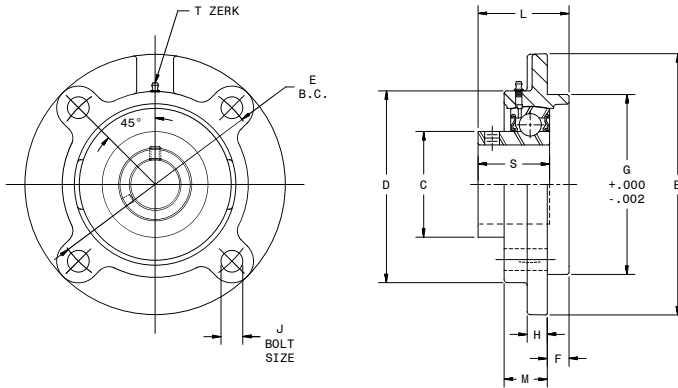
DOWNLOAD AVAILABLE CAD MODELS AT: [WWW.HUBCITYINC.COM](http://WWW.HUBCITYINC.COM)

Certified prints are available upon request

# Hub City IndustrialLine™ Bearing Units

## Cast Iron Flange Cartridge

### Series FC250

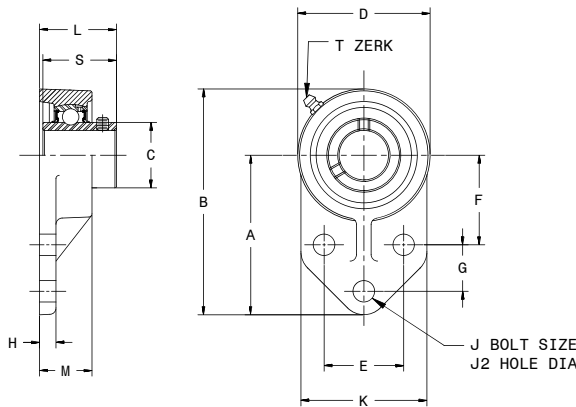


- Relube type. Pre-lubricated at factory
- Setscrew locking
- Self-aligning replacement bearing
- Nitrile rubber seals with steel trash guard
- Precision bored Cast Iron Housing

SHAFT SIZE	DIMENSIONS											WT. LBS.
	B	C	D	E	F	G	H	J	L	M	S	
1-1/8, 1-3/16, 1-1/4s	4.370	1.563	3.250	3.622	0.250	3.000	0.370	0.374	1.481	0.940	1.189	3.3
1-1/4, 1-3/8, 1-7/16	5.000	1.815	3.620	4.134	0.370	3.374	0.370	0.472	1.593	0.870	1.299	3.9
1-1/2	5.240	2.039	3.880	4.370	0.440	3.622	0.430	0.472	1.854	1.020	1.417	4.1
1-5/8, 1-11/16, 1-3/4	6.100	2.236	4.250	5.118	0.470	4.252	0.470	0.551	1.795	0.870	1.457	5.5
1-15/16, 2s	6.100	2.461	4.500	5.118	0.470	4.252	0.430	0.551	1.897	0.980	1.528	6.1
2, 2-3/16	6.380	2.719	4.880	5.394	0.630	4.500	0.510	0.551	2.180	0.980	1.590	8.9
2-1/4, 2-7/16	7.090	2.978	5.380	5.984	0.870	5.000	0.630	0.630	2.590	1.020	1.720	11.3
2-15/16	8.740	3.624	6.380	7.500	0.780	6.378	0.560	0.748	3.080	1.535	2.106	15.4

Part Numbers are specified by "FC250" and Bore Size. Example: FC250 x 1-1/2.  
For Load Ratings, see page M-14.

For replacement inserts use B250 Bearing Inserts, see page M-35.  
T-Zerk: 1/4-28 Taper



### Series FR250W

- Cast Iron Housings
- Wide Inner Race
- Self Aligning Replaceable Bearing
- Setscrew Lock Inserts
- Pre-lubricated with Lithium Grease
- Nitrile rubber seals with steel flingers
- Precision Bored Housings

SHAFT SIZE	DIMENSIONS														WT. LBS.
	A	B	C	D	E	F	G	H	J	J2	K	L	M	S	
1/2, 5/8, 3/4	3.000	4.250	1.110	2.500	1.500	1.688	0.875	0.310	0.375	0.394	2.380	1.343	1.000	1.220	1.5
7/8, 1	3.380	4.750	1.328	2.750	1.625	1.812	1.125	0.380	0.375	0.394	2.500	1.441	1.120	1.343	1.9
1-1/8, 1-3/16, 1-1/4s	3.750	5.380	1.563	3.250	1.875	2.063	1.250	0.380	0.375	0.394	2.750	1.610	1.250	1.500	2.2
1-1/4, 1-3/8, 1-7/16	4.250	6.120	1.815	3.750	2.000	2.375	1.250	0.500	0.500	0.551	3.250	1.827	1.440	1.689	3.6
1-1/2	4.500	6.440	2.039	3.940	2.000	2.375	1.625	0.630	0.500	0.551	3.060	2.016	1.410	1.937	4.6
1-11/16, 1-3/4	4.750	6.870	2.236	4.180	2.125	2.562	4.688	0.720	0.500	0.551	3.130	2.016	1.500	1.937	5.0
1-15/16	5.180	7.500	2.461	4.650	2.750	2.937	1.625	0.500	0.500	0.551	4.000	2.110	1.500	2.031	5.7

Dimensions shown are for reference only.  
To order, specify type and bore size. Example: FR250W x 1-7/16  
T-Zerk: 1/4-28 Taper

Replacement Inserts For 100 and 200 Series Setscrew Lock Use YW250

DOWNLOAD AVAILABLE CAD MODELS AT: [WWW.HUBCITYINC.COM](http://WWW.HUBCITYINC.COM)

**Certified prints are available upon request**

EMAIL: [hubsales@regalbeloit.com](mailto:hubsales@regalbeloit.com) • [www.hubcityinc.com](http://www.hubcityinc.com)





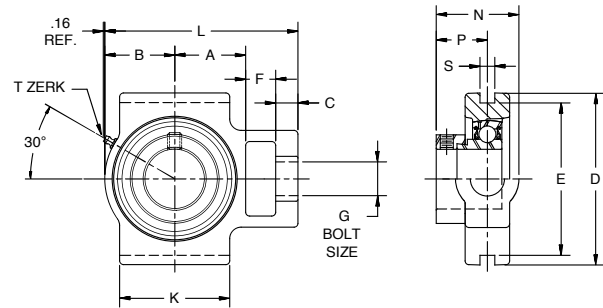
# Hub City IndustriaLine™ Bearing Units

## Standard Slot Take-Up Units

### Series TU220, TU250

#### TU220 Standard Slot Take-Up Units

- Relube type. Prelubricated at factory
- Eccentric locking collar
- Self-aligning replaceable bearing
- Nitrile rubber seals with steel trash guard
- Precision bored Cast Iron housing



NOTE: BEARINGS WITH ECCENTRIC LOCKING COLLARS ARE NOT RECOMMENDED FOR USE IN REVERSING APPLICATIONS.

SHAFT SIZE	USE WITH FRAME NO. ★	DIMENSIONS													WT. LBS.
		A	B	C	D	E	F	G	J	K	L	N	P	S§	
3/4	3 thru 9T200BC	1.290	1.260	0.400	3.500	3.000	0.630	0.750	1.890	1.730	3.930	1.680	0.945	0.311	1.6
7/8, 1	3 thru 9T200BC	1.290	1.380	0.400	3.500	3.000	0.630	0.750	1.890	1.930	4.050	1.660	0.925	0.311	1.9
1-1/8, 1-3/16, 1-1/4S	3 thru 12T200DE	1.610	1.580	0.510	4.020	3.504	0.750	0.870	2.130	2.360	4.680	1.900	1.091	0.311	2.5
1-1/4, 1-3/8, 1-7/16	3 thru 12T200DE	1.690	1.700	0.510	4.020	3.504	0.750	0.870	2.130	2.640	5.000	2.010	1.197	0.311	2.9
1-1/2	3 thru 18T200FH	1.890	1.890	0.630	4.490	4.000	0.750	1.140	2.640	2.950	5.470	2.270	1.366	0.311	4.1
1-3/4, 1-11/16	3 thru 18T200FH	2.050	2.040	0.630	4.490	4.000	0.750	1.140	2.640	3.110	5.780	2.250	1.346	0.311	4.6
1-15/16	3 thru 18T200FH	2.200	2.170	0.630	4.490	4.000	0.750	1.140	2.640	3.310	6.060	2.330	1.427	0.311	4.6
2, 2-3/16, 2-1/4	9 thru 18T200JK	2.380	2.370	0.750	5.750	5.126	1.000	1.380	3.270	3.700	6.810	2.555	1.497	0.311	8.3
2-7/16	9 thru 18T200JK	2.700	2.870	0.750	5.750	5.126	1.000	1.380	3.270	4.060	7.670	2.724	1.658	0.311	8.6

Part Numbers are specified by "TU220" and Bore Size. Example: TU220 x 1-1/2.

★ Take-Up Frames shown on page M-33.

§ Take-Up Units with wider slots are shown on page M-30.

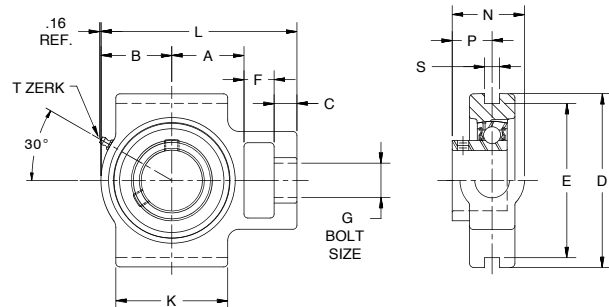
T-Zerk: 1/4-28 Taper

For Load Ratings, see page M-14.

For replacement inserts use B220 Bearing Inserts, see page M-35.

#### TU250 Standard Slot Take-Up Units

- Relube type. Prelubricated at factory
- Setscrew locking
- Self-aligning replaceable bearing
- Nitrile rubber seals with steel trash guard
- Precision bored Cast Iron housing



SHAFT SIZE	USE WITH FRAME NO. ★	DIMENSIONS													WT. LBS.
		A	B	C	D	E	F	G	J	K	L	N	P	S§	
3/4	3 thru 9T20BC	1.290	1.260	0.400	3.500	3.000	0.630	0.750	1.890	1.730	3.930	1.450	0.720	0.311	1.6
7/8, 1	3 thru 9T20BC	1.290	1.380	0.400	3.500	3.000	0.630	0.750	1.890	1.930	4.050	1.560	0.768	0.311	1.9
1-1/8, 1-3/16, 1-1/4S	3 thru 12T20DE	1.610	1.580	0.510	4.020	3.504	0.750	0.870	2.130	2.360	4.680	1.640	0.827	0.311	2.5
1-1/4, 1-3/8, 1-7/16	3 thru 12T20DE	1.690	1.700	0.510	4.020	3.504	0.750	0.870	2.130	2.640	5.000	1.730	0.917	0.311	2.9
1-1/2	3 thru 18T20FH	1.890	1.890	0.630	4.490	4.000	0.750	1.140	2.640	2.950	5.470	1.900	0.996	0.311	4.1
1-5/8, 1-3/4, 1-11/16	3 thru 18T20FH	2.050	2.040	0.630	4.490	4.000	0.750	1.140	2.640	3.110	5.780	1.920	1.016	0.311	4.6
1-15/16, 2S	3 thru 18T20FH	2.200	2.170	0.630	4.490	4.000	0.750	1.140	2.640	3.310	6.060	1.990	1.087	0.311	4.6
2, 2-3/16, 2-1/4	9 thru 18T20JK	2.380	2.370	0.750	5.750	5.126	1.000	1.380	3.270	3.700	6.810	2.340	1.280	0.311	8.3
2-7/16	9 thru 18T20JK	2.700	2.870	0.750	5.750	5.126	1.000	1.380	3.270	4.060	7.670	2.440	1.378	0.311	8.6

Part Numbers are specified by "TU250" and Bore Size. Example: TU250 x 1-1/2 or TU250N x 1-1/2.

★ Take-Up Frames shown on page M-33.

§ Take-Up Units with wider slots are shown on page M-30.

For Load Ratings, see page M-14.

For replacement inserts use B250 Bearing Inserts, see page M-35.

T-Zerk: 1/4-28 Taper

† DIMENSIONS SHOWN ARE FOR REFERENCE ONLY.

DOWNLOAD AVAILABLE CAD MODELS AT: WWW.HUBCITYINC.COM

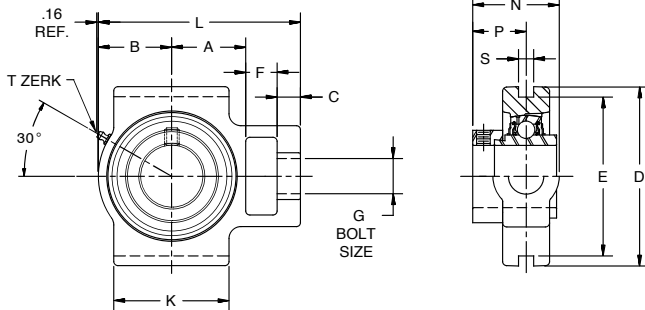
Certified prints are available upon request

# Hub City IndustrialLine™ Bearing Units

## Hub-Alloy® Standard Slot Take-Up Units

### Series TU220W, TU250W

### TU220W Standard Slot Take-Up Units



- Relube type. Prelubricated at factory
- Eccentric locking collar
- Self-aligning replaceable bearing
- Nitrile rubber seals with steel flingers
- Precision bored Cast Iron housing
- Wide inner race

NOTE: BEARINGS WITH ECCENTRIC LOCKING COLLARS ARE NOT RECOMMENDED FOR USE IN REVERSING APPLICATIONS.

SHAFT SIZE	USE WITH FRAME NO. ★	DIMENSIONS													WT. LBS.
		A	B	C	D	E	F	G	J	K	L	N	P	S§	
7/8, 1	3 thru 9T20BC	1.290	1.380	0.400	3.500	3.000	0.630	0.750	1.890	1.930	4.050	1.790	1.061	0.311	1.9
1-1/8, 1-3/16, 1-1/4S	3 thru 12T20DE	1.610	1.580	0.510	4.020	3.504	0.750	0.870	2.130	2.360	4.680	2.000	1.187	0.311	2.5
1-1/4, 1-3/8, 1-7/16	3 thru 12T20DE	1.690	1.700	0.510	4.020	3.504	0.750	0.870	2.130	2.640	5.000	2.076	1.270	0.311	2.9
1-1/2	3 thru 18T20FH	1.890	1.890	0.630	4.490	4.000	0.750	1.140	2.640	2.950	5.470	2.277	1.373	0.311	4.1
1-3/4, 1-11/16	3 thru 18T20FH	2.050	2.040	0.630	4.490	4.000	0.750	1.140	2.640	3.110	5.780	2.277	1.373	0.311	4.6
1-15/16	3 thru 18T20FH	2.200	2.170	0.630	4.490	4.000	0.750	1.140	2.640	3.310	6.060	2.410	1.500	0.311	4.6
2, 2-3/16, 2-1/4	9 thru 18T20JK	2.380	2.370	0.750	5.750	5.126	1.000	1.380	3.270	3.700	6.810	2.780	1.717	0.311	8.3
2-7/16	9 thru 18T20JK	2.700	2.870	0.750	5.750	5.126	1.000	1.380	3.270	4.060	7.670	2.910	1.844	0.311	8.6

Part Numbers are specified by "TU220W" and Bore Size. Example: TU220W x 1-1/2.

★ Take-Up Frames shown on page M-33.

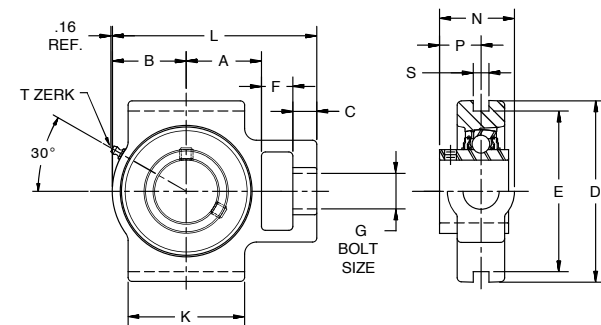
§ Take-Up Units with wider slots are shown on page M-31.

For replacement inserts use YW220 Bearing Inserts, see page M-36.

T-Zerk: 1/4-28 Taper

For Load Ratings, see page M-14.

\* Bearing protrudes beyond edge of housing.



### TU250W Standard Slot Take-Up Units

- Relube type. Prelubricated at factory
- Setscrew locking
- Self-aligning replaceable bearing
- Nitrile rubber seals with steel trash guard
- Precision bored Cast Iron housing
- Wide inner race

SHAFT SIZE	USE WITH FRAME NO. ★	DIMENSIONS													WT. LBS.
		A	B	C	D	E	F	G	J	K	L	N	P	S§	
3/4	3 thru 9T20BC	1.290	1.260	0.400	3.500	3.000	0.630	0.750	1.890	1.730	3.930	1.450	0.720	0.311	1.6
7/8, 1	3 thru 9T20BC	1.290	1.380	0.400	3.500	3.000	0.630	0.750	1.890	1.930	4.050	1.504	0.780	0.311	1.9
1-1/8, 1-3/16, 1-1/4S	3 thru 12T20DE	1.610	1.580	0.510	4.020	3.504	0.750	0.870	2.130	2.360	4.680	1.680	0.874	0.311	2.5
1-1/4, 1-3/8, 1-7/16	3 thru 12T20DE	1.690	1.700	0.510	4.020	3.504	0.750	0.870	2.130	2.640	5.000	1.810	1.000	0.311	2.9
1-1/2	3 thru 18T20FH	1.890	1.890	0.630	4.490	4.000	0.750	1.140	2.640	2.950	5.470	2.100	1.189	0.311	4.1
1-3/4, 1-11/16	3 thru 18T20FH	2.050	2.040	0.630	4.490	4.000	0.750	1.140	2.640	3.110	5.780	2.100	1.189	0.311	4.6
1-15/16, 2S	3 thru 18T20FH	2.200	2.170	0.630	4.490	4.000	0.750	1.140	2.640	3.310	6.060	2.190	1.283	0.311	4.6
2, 2-3/16, 2-1/4	9 thru 18T20JK	2.380	2.370	0.750	5.750	5.126	1.000	1.380	3.270	3.700	6.810	2.380	1.315	0.311	8.3
2-7/16	9 thru 18T20JK	2.700	2.870	0.750	5.750	5.126	1.000	1.380	3.270	4.060	7.670	2.633	1.566	0.311	8.6

Part Numbers are specified by "TU250W" and Bore Size. Example: TU250W x 1-1/2.

★ Take-Up Frames shown on page M-33.

§ Take-Up Units with wider slots are shown on page M-31.

T-Zerk: 1/4-28 Taper

For Load Ratings, see page M-14.

For replacement inserts use YW250 Bearing Inserts, see page M-36.

DOWNLOAD AVAILABLE CAD MODELS AT: WWW.HUBCITYINC.COM

Certified prints are available upon request

¶ DIMENSIONS SHOWN ARE FOR REFERENCE ONLY.

EMAIL: hubsales@regalbeloit.com • www.hubcityinc.com



M-29

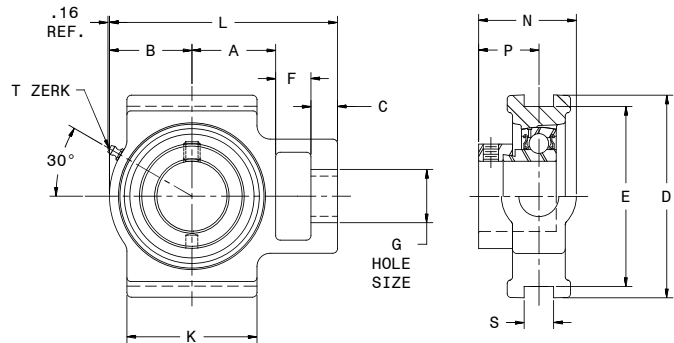
# Hub City IndustrialLine™ Bearing Units

## Wide Slot Take-Up Units

### Series WSTU220, WSTU250

#### WSTU220 Wide Slot Take-Up Units

- Relube type. Prelubricated at factory
- Eccentric locking collar
- Self-aligning replaceable bearing
- Nitrile rubber seals with steel trash guard
- Precision bored Cast Iron housing
- Wide slot takeup frames are shown on page M-34



NOTE: BEARINGS WITH ECCENTRIC LOCKING COLLARS ARE NOT RECOMMENDED FOR USE IN REVERSING APPLICATIONS.

SHAFT SIZE	USE WITH FRAME NO. ★	DIMENSIONS													WT. LBS.
		A	B	C	D	E	F	G	J	K	L	N	P	S§	
3/4	3 Thru 9TWS20BC	1.330	1.340	0.400	3.500	3.000	0.630	0.750	2.000	2.000	3.860	1.580	0.945	1.220	1.6
7/8, 1	3 Thru 9TWS20BC	1.410	1.380	0.400	3.500	3.000	0.630	0.750	2.000	2.000	3.980	1.560	0.925	1.220	1.9
1-1/8, 1-3/16, 1-1/4S	3 Thru 12TWS20DE	1.730	1.690	0.400	4.020	3.504	0.750	0.870	2.200	2.250	4.610	1.820	1.091	1.406	2.5
1-1/4, 1-3/8, 1-7/16	3 Thru 12TWS20DE	1.930	2.010	0.510	4.020	3.504	0.750	0.870	2.520	2.520	5.240	2.660	1.197	1.531	2.9
1-1/2	3 Thru 18TWS20FH	2.120	2.170	0.630	4.490	4.000	0.750	1.140	3.270	3.270	5.830	2.330	1.366	0.689	4.1
1-3/4, 1-11/16	3 Thru 18TWS20FH	2.050	2.240	0.630	4.490	4.000	0.750	1.140	3.270	3.270	5.830	2.310	1.346	0.689	4.6
1-15/16	3 Thru 18TWS20FH	2.160	2.330	0.630	4.490	4.000	0.750	1.140	3.270	3.380	6.030	2.390	1.427	0.689	4.8
2, 2-3/16, 2-1/4	9 Thru 18TWS20JK	2.440	2.560	0.750	5.750	5.126	0.980	1.380	4.020	3.740	6.890	2.755	1.497	1.063	8.3
2-7/16	9 Thru 18TWS20JK	2.680	2.950	0.750	5.750	5.126	1.260	1.380	4.020	4.020	7.800	2.924	1.658	1.063	8.8

Part Numbers are specified by "WSTU220" and Bore Size.  
Example: WSTU220 x 3/4.

§ Take-Up Units with narrower slots are shown on page M-28.

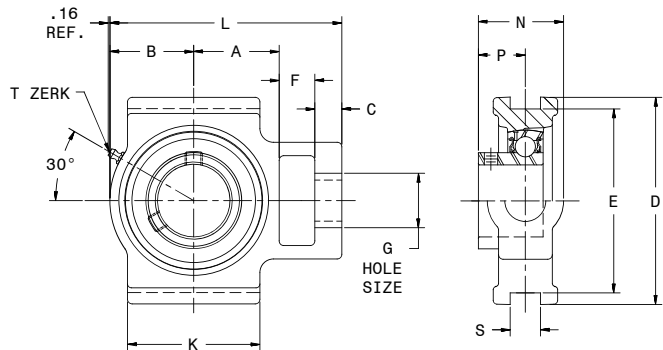
For Load Ratings, see page M-14. For Comparison Charts, see page M-45.

For replacement inserts use B220 Bearing Inserts, see page M-35.

T-Zerk: 1/4-28 Taper

#### WSTU250 Wide Slot Take-Up Units

- Relube type. Prelubricated at factory
- Setscrew locking
- Self-aligning replaceable bearing
- Nitrile rubber seals with steel trash guard
- Precision bored Cast Iron housing



SHAFT SIZE	USE WITH FRAME NO. ★	DIMENSIONS													WT. LBS.
		A	B	C	D	E	F	G	J	K	L	N	P	S§	
3/4	3 Thru 9TWS20BC	1.330	1.340	0.400	3.500	3.000	0.630	0.750	2.000	2.000	3.860	1.450	0.720	1.220	1.6
7/8, 1	3 Thru 9TWS20BC	1.410	1.380	0.400	3.500	3.000	0.630	0.750	2.000	2.000	3.980	1.560	0.768	1.220	1.9
1-1/8, 1-3/16, 1-1/4S	3 Thru 12TWS20DE	1.730	1.690	0.400	4.020	3.504	0.750	0.870	2.200	2.250	4.610	1.640	0.827	1.406	2.5
1-1/4, 1-3/8, 1-7/16	3 Thru 12TWS20DE	1.930	2.010	0.510	4.020	3.504	0.750	0.870	2.520	2.520	5.240	1.730	0.917	1.531	2.9
1-1/2	3 Thru 18TWS20FH	2.120	2.170	0.630	4.490	4.000	0.750	1.140	3.270	3.270	5.830	1.900	0.996	0.689	4.1
1-5/8, 1-3/4, 1-11/16	3 Thru 18TWS20FH	2.050	2.240	0.630	4.490	4.000	0.750	1.140	3.270	3.270	5.830	1.920	1.016	0.689	4.6
1-15/16, 2S	3 Thru 18TWS20FH	2.160	2.330	0.630	4.490	4.000	0.750	1.140	3.270	3.380	6.030	1.990	1.087	0.689	4.8
2, 2-3/16, 2-1/4	9 Thru 18TWS20JK	2.440	2.560	0.750	5.750	5.126	0.980	1.380	4.020	3.740	6.890	2.340	1.280	1.063	8.3
2-7/16	9 Thru 18TWS20JK	2.680	2.950	0.750	5.750	5.126	1.260	1.380	4.020	4.020	7.800	2.440	1.378	1.063	8.8

Part Numbers are specified by "WSTU250" and Bore Size.  
Example: WSTU250 x 3/4.

§ Take-Up Units with narrower slots are shown on page M-28.

For Load Ratings, see page M-14. For Comparison Charts, see page M-45.

For replacement inserts use B250 Bearing Inserts, see page M-35.

T-Zerk: 1/4-28 Taper

¶ DIMENSIONS SHOWN ARE FOR REFERENCE ONLY.

DOWNLOAD AVAILABLE CAD MODELS AT: WWW.HUBCITYINC.COM

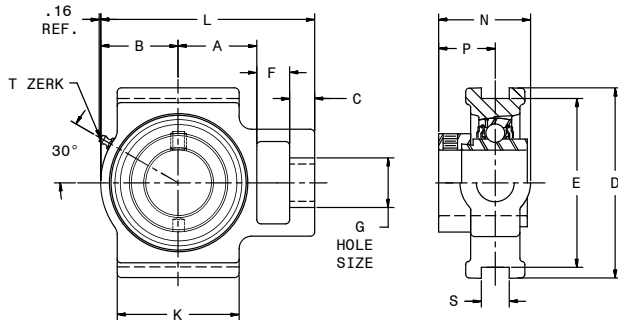
Certified prints are available upon request

# Hub City IndustrialLine™ Bearing Units

## Wide Slot Take-Up Units

### Series WSTU220W, WSTU250W

#### WSTU220W Wide Slot Take-Up Units



- Relube type. Prelubricated at factory
- Eccentric locking collar
- Self-aligning replaceable bearing
- Nitrile rubber seals with steel flingers
- Precision bored Cast Iron housing
- Wide slot take up frames are shown on page M-34

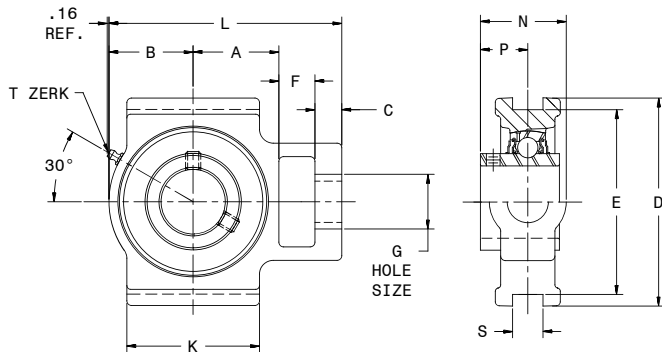
NOTE: BEARINGS WITH ECCENTRIC LOCKING COLLARS ARE NOT RECOMMENDED FOR USE IN REVERSING APPLICATIONS.

SHAFT SIZE	USE WITH FRAME NO. ★	DIMENSIONS													WT. LBS.
		A	B	C	D	E	F	G	J	K	L	N	P	S§	
7/8, 1	3 Thru 9TWS20BC	1.410	1.380	0.400	3.500	3.000	0.630	0.750	2.000	2.000	3.980	1.690	1.061	1.220	1.9
1-1/8, 1-3/16, 1-1/4S	3 Thru 12TWS20DE	1.730	1.690	0.400	4.020	3.504	0.750	0.870	2.200	2.250	4.610	1.920	1.187	1.406	2.5
1-1/4, 1-3/8, 1-7/16	3 Thru 12TWS20DE	1.930	2.010	0.510	4.020	3.504	0.750	0.870	2.520	2.520	5.240	1.996	1.270	1.531	2.9
1-1/2	3 Thru 18TWS20FH	2.120	2.170	0.630	4.490	4.000	0.750	1.140	3.270	3.270	5.830	2.337	1.373	0.689	4.1
1-3/4, 1-11/16	3 Thru 18TWS20FH	2.050	2.240	0.630	4.490	4.000	0.750	1.140	3.270	3.270	5.830	2.337	1.373	0.689	4.6
1-15/16	3 Thru 18TWS20FH	2.160	2.330	0.630	4.490	4.000	0.750	1.140	3.270	3.380	6.030	2.470	1.500	0.689	4.8
2, 2-3/16, 2-1/4	9 Thru 18TWS20JK	2.440	2.560	0.750	5.750	5.126	0.980	1.380	4.020	3.740	6.890	2.980	1.717	1.063	8.3
2-7/16	9 Thru 18TWS20JK	2.680	2.950	0.750	5.750	5.126	1.260	1.380	4.020	4.020	7.800	3.110	1.844	1.063	8.8

Part Numbers are specified by "WSTU220W" and Bore Size.  
Example: WSTU220W x 3/4.

For Load Ratings, see page M-14. For Comparison Charts, see page M-45.  
For replacement inserts use YW220 Bearing Inserts, see page M-36.  
T-Zerk: 1/4-28 Taper

§ Take-Up Units with narrower slots are shown on page M-29.



#### WSTU250W Wide Slot Take-Up Units

- Relube type. Prelubricated at factory
- Setscrew locking
- Self-aligning replaceable bearing
- Nitrile rubber seals with steel flingers
- Precision bored Cast Iron housing

SHAFT SIZE	USE WITH FRAME NO. ★	DIMENSIONS													WT. LBS.
		A	B	C	D	E	F	G	J	K	L	N	P	S§	
3/4	3 Thru 9TWS20BC	1.330	1.340	0.400	3.500	3.000	0.630	0.750	2.000	2.000	3.860	1.350	0.720	1.220	1.6
7/8, 1	3 Thru 9TWS20BC	1.410	1.380	0.400	3.500	3.000	0.630	0.750	2.000	2.000	3.980	1.414	0.780	1.220	1.9
1-1/8, 1-3/16, 1-1/4S	3 Thru 12TWS20DE	1.730	1.690	0.400	4.020	3.504	0.750	0.870	2.200	2.250	4.610	1.600	0.874	1.406	2.5
1-1/4, 1-3/8, 1-7/16	3 Thru 12TWS20DE	1.930	2.010	0.510	4.020	3.504	0.750	0.870	2.520	2.520	5.240	1.730	1.000	1.531	2.9
1-1/2	3 Thru 18TWS20FH	2.120	2.170	0.630	4.490	4.000	0.750	1.140	3.270	3.270	5.830	2.150	1.189	0.689	4.1
1-3/4, 1-11/16	3 Thru 18TWS20FH	2.050	2.240	0.630	4.490	4.000	0.750	1.140	3.270	3.270	5.830	2.150	1.189	0.689	4.6
1-15/16, 2S	3 Thru 18TWS20FH	2.160	2.330	0.630	4.490	4.000	0.750	1.140	3.270	3.380	6.030	2.250	1.283	0.689	4.8
2, 2-3/16, 2-1/4	9 Thru 18TWS20JK	2.440	2.560	0.750	5.750	5.126	0.980	1.380	4.020	3.740	6.890	2.580	1.315	1.063	8.3
2-7/16	9 Thru 18TWS20JK	2.680	2.950	0.750	5.750	5.126	1.260	1.380	4.020	4.020	7.800	2.823	1.566	1.063	8.8

Part Numbers are specified by "WSTU250W" and Bore Size.  
Example: WSTU250W x 3/4.

For Load Ratings, see page M-14. For Comparison Charts, see page M-45.  
For replacement inserts use YW250 Bearing Inserts, see page M-36.  
T-Zerk: 1/4-28 Taper

§ Take-Up Units with narrower slots are shown on page M-29.

DOWNLOAD AVAILABLE CAD MODELS AT: [WWW.HUBCITYINC.COM](http://WWW.HUBCITYINC.COM)

† DIMENSIONS SHOWN ARE FOR REFERENCE ONLY.

Certified prints are available upon request

EMAIL: [hubsales@regalbeloit.com](mailto:hubsales@regalbeloit.com) • [www.hubcityinc.com](http://www.hubcityinc.com)



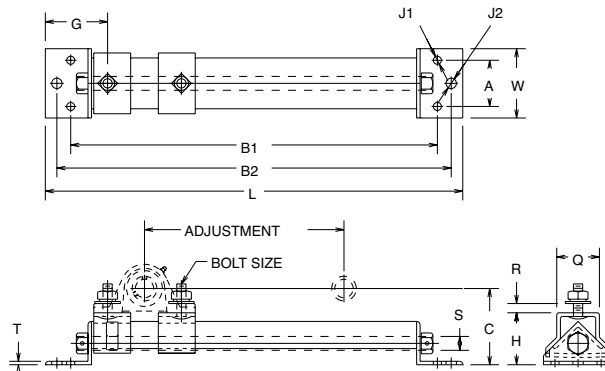
# Hub City IndustriaLine™ Bearing Units

## Take-Up Frames

### Series T210

### Protected Screw Take-Up Frames

- Three bolt base mounting
- Welded steel construction
- Plated adjusting screw



PART NUMBER	SHAFT SIZE	DIMENSIONS													BOLT SIZE	WT. LBS.
		L	W	A	B1	B2	G	H	J1	J2	Q	R	S	T		
6T210BC-3	3/4 - 1	17.125	3.250	2.250	13.875	15.875	3.313	2.375	0.438	0.563	1.750	0.563	0.625	0.188	0.375	6.0
9T210BC-3	3/4 - 1	20.125	3.250	2.250	16.875	18.875	3.313	2.375	0.438	0.563	1.750	0.563	0.625	0.188	0.375	6.7
6T210DH-3	1-1/16 - 2S	18.188	3.750	2.500	15.438	16.938	3.375	2.813	0.438	0.563	2.313	0.875	0.750	0.188	0.500	8.9
9T210DH-3	1-1/16 - 2S	22.625	3.750	2.500	19.875	21.375	3.375	2.813	0.438	0.563	2.313	0.875	0.750	0.188	0.500	10.3
12T210DH-3	1-1/16 - 2S	24.188	3.750	2.500	21.4.8	22.938	3.375	2.813	0.438	0.563	2.313	0.875	0.750	0.188	0.500	10.9
18T210DH-3	1-1/16 - 2S	31.625	3.750	2.500	28.875	30.375	3.375	2.813	0.438	0.563	2.313	0.875	0.750	0.188	0.500	13.3
12T210JK-3	2 - 2-7/16	28.000	4.750	3.000	24.750	26.750	4.000	3.313	0.563	0.688	2.625	1.438	1.000	0.250	0.625	18.3
18T210JK-3	2 - 2-7/16	34.000	4.750	3.000	30.750	32.750	4.000	3.313	0.563	0.688	2.625	1.438	1.000	0.250	0.625	21.2

Protected Screw Take-Up Frames are designed for use with:  
 PB220, PB221, PB220W, PB221W, PB220HW and PB221HW Pillow Blocks.  
 PB250, PB251, PB250W, PB251W, PB250HW and PB251HW Pillow Blocks.  
 PB350 and PB350H Pillow Blocks.

\* "C" dimension is obtained by adding "H" in the table above to "A" from Pillow Block Dimension tables.

The first digit of the part number represents the nominal adjustment which is possible. Because of the dimensional differences of the various Pillow Blocks, this adjustment varies according to the specifications noted below.

### Actual Amount of Adjustment

SHAFT SIZE	FRAME PART NUMBER							
	6T210BC-3	9T210BC-3	6T210DH-3	9T210DH-3	12T210DH-3	18T210DH-3	12T210JK-3	18T210JK-3

#### WHEN USED WITH 200 SERIES PILLOW BLOCKS

3/4	6.375	9.375	—	—	—	—	—	—
13/16 - 1	6.000	9.000	—	—	—	—	—	—
1-1/16 - 1-3/16	—	—	6.375	10.813	12.375	19.813	—	—
1-1/4 - 1-7/16	—	—	6.000	10.438	12.000	19.438	—	—
1-1/2 - 1-9/16	—	—	5.563	10.000	11.563	19.000	—	—
1-5/8 - 1-3/4	—	—	5.188	9.625	11.188	18.625	—	—
1-13/16 - 2S	—	—	4.563	9.000	10.563	18.000	—	—
2 - 2-3/16	—	—	—	—	—	—	12.750	18.750
2-1/4 - 2-7/16	—	—	—	—	—	—	12.000	18.000

#### WHEN USED WITH 350 SERIES PILLOW BLOCKS

1-7/16	—	—	6.625	11.063	12.625	20.063	—	—
1-1/2 - 1-3/4	—	—	6.125	10.563	—	—	14.688	20.688
1-15/16 - 2-15/16	—	—	5.625	10.063	—	—	14.188	20.188
2-3/16 - 2-1/4	—	—	—	—	—	—	13.563	19.563
2-7/16 - 2-1/2	—	—	—	—	—	—	12.813	18.813

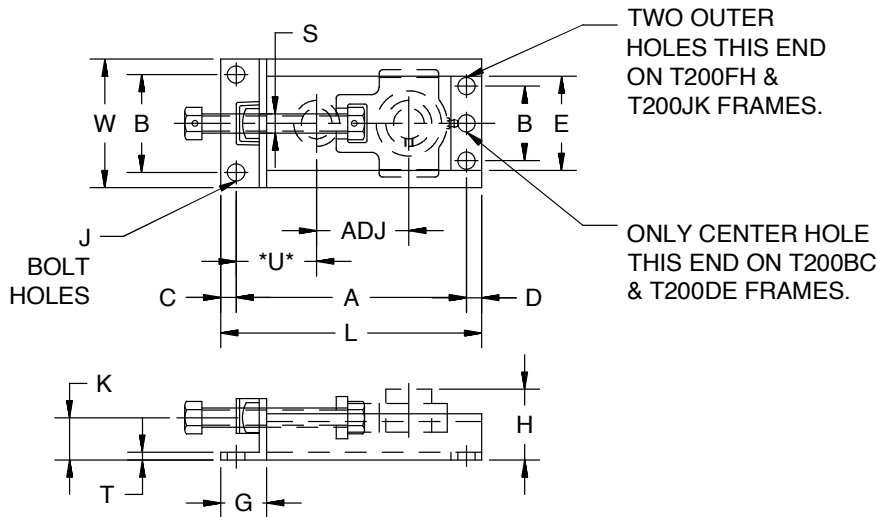
† DIMENSIONS SHOWN ARE FOR REFERENCE ONLY.

DOWNLOAD AVAILABLE CAD MODELS AT: [WWW.HUBCITYINC.COM](http://WWW.HUBCITYINC.COM)

Certified prints are available upon request

# Hub City IndustrialLine™ Bearing Units Take-Up Frames

## Series T200 T200 Side Mounting Take-Up Frames



- Welded steel construction
- Plated adjusting screw

IndustrialLine™ Bearings  
**M**

PART NUMBER	SHAFT SIZE RANGE		ADJUSTMENT	DIMENSIONS											(J) BOLT HOLES		WT. LBS.	
	FOR "200" SERIES UNITS	FOR "300" SERIES UNITS		L	W	A	B	C	D	E	G	H MAX.	K	S	T	NO.		SIZE
3T200BC	3/4 - 1		3.000	8.500	4.188	7.500	3.188	0.500	0.500	3.063	1.500	2.297	1.375	0.625	0.250	3.000	0.563	3.6
6T200BC	3/4 - 1		6.000	11.500	4.188	10.500	3.188	0.500	0.500	3.063	1.500	2.297	1.375	0.625	0.250	3.000	0.563	4.4
9T200BC	3/4 - 1		9.000	14.500	4.188	13.500	3.188	0.500	0.500	3.063	1.500	2.297	1.375	0.625	0.250	3.000	0.563	5.5
3T200DE	1-1/16 - 1-7/16		3.000	9.375	4.688	8.375	3.688	0.500	0.500	3.563	1.500	2.531	1.375	0.750	0.250	3.000	0.563	4.3
6T200DE	1-1/16 - 1-7/16		6.000	12.375	4.688	11.375	3.688	0.500	0.500	3.563	1.500	2.531	1.375	0.750	0.250	3.000	0.563	5.3
9T200DE	1-1/16 - 1-7/16		9.000	15.375	4.688	14.375	3.688	0.500	0.500	3.563	1.500	2.531	1.375	0.750	0.250	3.000	0.563	6.3
12T200DE	1-1/16 - 1-7/16		12.000	18.375	4.688	17.375	3.688	0.500	0.500	3.563	1.500	2.531	1.375	0.750	0.250	3.000	0.563	7.4
3T200FH	1-1/2 - 2S	1-7/16 - 1-3/4	3.000	11.000	5.188	9.875	3.063	0.500	0.625	4.063	2.000	2.938	1.625	1.000	0.250	4.000	0.563	6.3
6T200FH	1-1/2 - 2S	1-7/16 - 1-3/4	6.000	14.000	5.188	12.875	3.063	0.500	0.625	4.063	2.000	2.938	1.625	1.000	0.250	4.000	0.563	7.6
9T200FH	1-1/2 - 2S	1-7/16 - 1-3/4	9.000	17.000	5.188	15.875	3.063	0.500	0.625	4.063	2.000	2.938	1.625	1.000	0.250	4.000	0.563	9.1
12T200FH	1-1/2 - 2S	1-7/16 - 1-3/4	12.000	20.000	5.188	18.875	3.063	0.500	0.625	4.063	2.000	2.938	1.625	1.000	0.250	4.000	0.563	10.5
18T200FH	1-1/2 - 2S	1-7/16 - 1-3/4	18.000	26.000	5.188	24.875	3.063	0.500	0.625	4.063	2.000	2.938	1.625	1.000	0.250	4.000	0.563	13.2
9T200JK	2 - 2-7/16	1-15/16 - 2-3/16	9.000	18.250	6.375	16.875	4.125	0.625	0.750	5.250	2.000	3.438	1.875	1.250	0.3125	4.000	0.688	13.9
12T200JK	2 - 2-7/16	1-15/16 - 2-3/16	12.000	21.250	6.375	19.875	4.125	0.625	0.750	5.250	2.000	3.438	1.875	1.250	0.3125	4.000	0.688	15.0
18T200JK	2 - 2-7/16	1-15/16 - 2-3/16	18.000	27.250	6.375	25.875	4.125	0.625	0.750	5.250	2.000	3.438	1.875	1.250	0.3125	4.000	0.688	19.8

These Take-Up Frames are used with TU220, TU250, TU220W and TU250W Take-Up Units shown on pages M-28 and M-29 and with TU350 Take-Up Units shown on page M-40.

\*NOTE — "U" may have more than one value, depending on the Take-Up Unit and Frame combination used, therefore determine "U" from frame dimensions "G" minus "C" plus Take-Up Unit dimensions "A", "C" and "F".

DOWNLOAD AVAILABLE CAD MODELS AT: [WWW.HUBCITYINC.COM](http://WWW.HUBCITYINC.COM)

**Certified prints are available upon request**

† DIMENSIONS SHOWN ARE FOR REFERENCE ONLY.

EMAIL: [hubsales@regalbeloit.com](mailto:hubsales@regalbeloit.com) • [www.hubcityinc.com](http://www.hubcityinc.com)



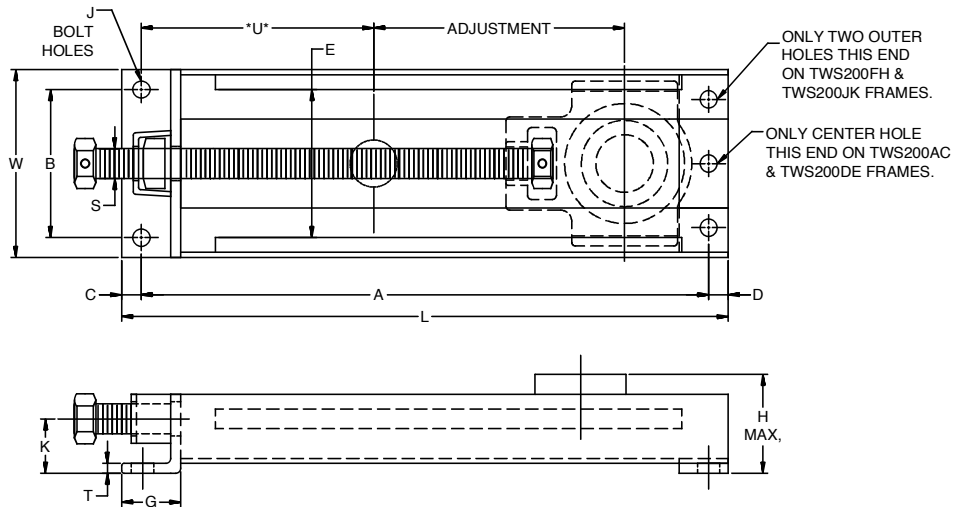
# Hub City IndustriaLine™ Bearing Units

## Take-Up Frames

### Series TWS200

### TWS200 Wide Slot Take-Up Frames

- Welded steel construction
- Plated adjusting screw



PART NUMBER	SHAFT SIZE RANGE		ADJUSTMENT	DIMENSIONS												(J) BOLT HOLES		WT. LBS.
	FOR "200" SERIES UNITS	FOR "300" SERIES UNITS		L	W	A	B	C	D	E	G	H MAX.	K	S	T	NO.	SIZE	
1TWS200AC	1/2 - 1		1-1/2	7.000	4.063	6.000	3.188	.500	.500	3.063	1.500	2.438	1.375	.625	.250	3	.563	3.3
3TWS200AC	1/2 - 1		3	8.500	4.063	7.500	3.188	.500	.500	3.063	1.500	2.438	1.375	.625	.250	3	.563	3.9
6TWS200AC	1/2 - 1		6	11.500	4.063	1.500	3.188	.500	.500	3.063	1.500	2.438	1.375	.625	.250	3	.563	5.1
9TWS200AC	1/2 - 1		9	14.500	4.063	13.500	3.188	.500	.500	3.063	1.500	2.438	1.375	.625	.250	3	.563	6.2
3TWS200DE	1-1/8 - 1-7/16	1 - 1-1/4	3	9.500	4.688	8.375	3.688	.500	.500	3.563	1.500	2.656	1.375	.750	.250	3	.563	5.4
6TWS200DE	1-1/8 - 1-7/16	1 - 1-1/4	6	12.500	4.688	11.375	3.688	.500	.500	3.563	1.500	2.656	1.375	.750	.250	3	.563	6.7
9TWS200DE	1-1/8 - 1-7/16	1 - 1-1/4	9	15.500	4.688	14.375	3.688	.500	.500	3.563	1.500	2.656	1.375	.750	.250	3	.563	8.1
12TWS200DE	1-1/8 - 1-7/16	1 - 1-1/4	12	18.500	4.688	17.375	3.688	.500	.500	3.563	1.500	2.656	1.375	.750	.250	3	.563	9.5
3TWS200FH	1-1/2 - 2S	1-7/16 - 1-3/4	3	11.500	5.063	9.875	3.063	1.00	.625	4.063	2.000	3.125	1.625	1.000	.250	4	.563	7.4
6TWS200FH	1-1/2 - 2S	1-7/16 - 1-3/4	6	14.500	5.063	12.875	3.063	1.00	.625	4.063	2.000	3.125	1.625	1.000	.250	4	.563	9.1
9TWS200FH	1-1/2 - 2S	1-7/16 - 1-3/4	9	17.500	5.063	15.875	3.063	1.00	.625	4.063	2.000	3.125	1.625	1.000	.250	4	.563	10.8
12TWS200FH	1-1/2 - 2S	1-7/16 - 1-3/4	12	20.500	5.063	18.875	3.063	1.00	.625	4.063	2.000	3.125	1.625	1.000	.250	4	.563	12.5
18TWS200FH	1-1/2 - 2S	1-7/16 - 1-3/4	18	24.500	5.063	24.875	3.063	1.00	.625	4.063	2.000	3.125	1.625	1.000	.250	4	.563	15.9
9TWS200JK	2 - 2-7/16	1-15/16 - 2-3/16	9	18.250	6.313	16.875	4.125	.625	.750	5.188	2.000	3.719	1.875	1.250	.313	4	.688	20.0
12TWS200JK	2 - 2-7/16	1-15/16 - 2-3/16	12	21.250	6.313	19.875	4.125	.625	.750	5.188	2.000	3.719	1.875	1.250	.313	4	.688	22.8
18TWS200JK	2 - 2-7/16	1-15/16 - 2-3/16	18	27.250	6.313	25.875	4.125	.625	.750	5.188	2.000	3.719	1.875	1.250	.313	4	.688	28.2

These Take-Up Frames are used with WSTU220, WSTU250, WSTU220W and WSTU250W Take-Up Units shown on pages M-30 and M-31 and with WSTU350 Take-Up Units shown on page M-41.

\*NOTE — "U" may have more than one value, depending on the Take-Up Unit and Frame combination used, therefore determine "U" from frame dimensions "G" minus "C" plus Take-Up Unit dimensions "A", "C" and "F".

¶ DIMENSIONS SHOWN ARE FOR REFERENCE ONLY.

DOWNLOAD AVAILABLE CAD MODELS AT: [WWW.HUBCITYINC.COM](http://WWW.HUBCITYINC.COM)

**Certified prints are available upon request**

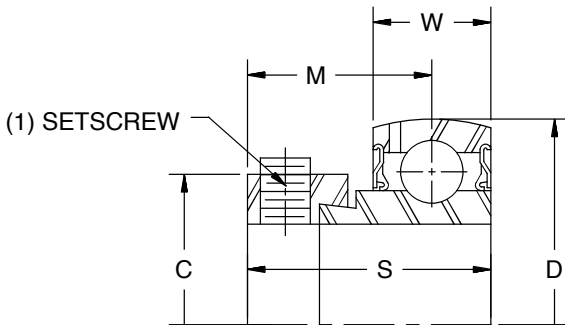


# Hub City IndustrialLine™ Bearing Units

## Bearing Inserts

### Series B220, B250

#### B220 Bearing Inserts



- Spherical outside diameter
- Relube type. Prelubricated at factory
- Molded glass fiber reinforced polyamide retainer
- Nitrile rubber seals with steel trash guard
- Eccentric locking collar

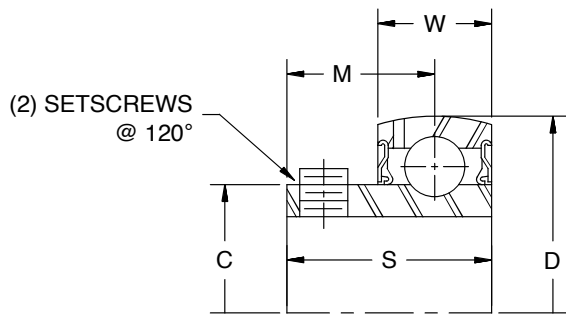
NOTE: BEARINGS WITH ECCENTRIC LOCKING COLLARS ARE NOT RECOMMENDED FOR USE IN REVERSING APPLICATIONS.

SHAFT SIZE	DIMENSIONS						WT. LBS.
	C	D	M	S	W	SETSCREW	
1/2, 5/8	1.071	1.5748	0.870	1.126	0.472	1/4-28 UNF	0.2
3/4	1.275	1.8504	0.925	1.220	0.551	1/4-28 UNF	0.3
7/8, 1	1.472	2.0472	0.925	1.220	0.592	1/4-28 UNF	0.4
1-1/8, 1-3/16, 1-1/4s	1.736	2.4409	1.051	1.406	0.709	5/16-24 UNF	0.6
1-1/4, 1-3/8, 1-7/16	2.012	2.8346	1.157	1.531	0.748	3/8-24 UNF	1.0
1-1/2	2.224	3.1496	1.268	1.720	0.827	3/8-24 UNF	1.3
1-11/16, 1-3/4	2.441	3.3465	1.287	1.720	0.866	3/8-24 UNF	1.6
1-15/16, 2S	2.645	3.5433	1.287	1.720	0.866	3/8-24 UNF	1.7
2, 2-3/16	2.933	3.9370	1.439	1.911	0.984	7/16-20 UNF	2.4
2-7/16	3.228	4.3307	1.559	2.091	1.024	7/16-20 UNF	3.0

Part Numbers are specified by "B220" and Bore Size. Example B220 x 1-1/4.

Used in PB220, PB221 Pillow Blocks; FB220, FB230 Flange Blocks; and TU220, WSTU220 Take-Up Units.

### B250 Bearing Inserts



- Spherical outside diameter
- Relube type. Prelubricated at factory
- Molded glass fiber reinforced polyamide retainer
- Nitrile rubber seals with steel trash guard
- Setscrew Locking

SHAFT SIZE	DIMENSIONS						WT. LBS.
	C	D	M	S	W	SETSCREW	
1/2, 5/8	.953	1.5748	0.626	0.870	0.472	10-32	0.3
3/4	1.110	1.8504	0.720	1.004	0.551	1/4-28 UNF	0.3
7/8, 15/16, 1	1.328	2.0472	0.768	1.071	0.591	1/4-28 UNF	0.4
1-1/8, 1-3/16, 1-1/4s	1.563	2.4409	0.827	1.189	0.709	1/4-28 UNF	0.6
1-1/4, 1-3/8, 1-7/16	1.815	2.8346	0.917	1.299	0.748	5/16-24 UNF	0.9
1-1/2	2.039	3.1496	0.996	1.417	0.827	5/16-24 UNF	1.5
1-11/16, 1-3/4	2.236	3.3465	1.016	1.457	0.866	5/16-24 UNF	1.8
1-15/16, 2S	2.461	3.5433	1.087	1.528	0.866	3/8-24 UNF	1.8
2, 2-3/16	2.719	3.9370	1.280	1.772	0.984	3/8-24 UNF	2.4
2-1/4, 2-7/16	2.978	4.3307	1.378	1.909	1.024	3/8-24 UNF	2.9
2-15/16	3.624	5.1181	1.535	2.106	1.142	3/8-24 UNF	4.9

Part Numbers are specified by "B250" and Bore Size. Example B250 x 1-1/4.

Used in PB100, PB100L, PB150, PB150L, PB250, PB251, TPB250 Pillow Blocks; FB100, FB110, FB150, FB160, FB250, FB260 Flange Blocks; and TU250, WSTU250 Take-Up Units.

DOWNLOAD AVAILABLE CAD MODELS AT: [WWW.HUBCITYINC.COM](http://WWW.HUBCITYINC.COM)

**Certified prints are available upon request**

† DIMENSIONS SHOWN ARE FOR REFERENCE ONLY.

EMAIL: [hubsales@regalbeloit.com](mailto:hubsales@regalbeloit.com) • [www.hubcityinc.com](http://www.hubcityinc.com)



M-35

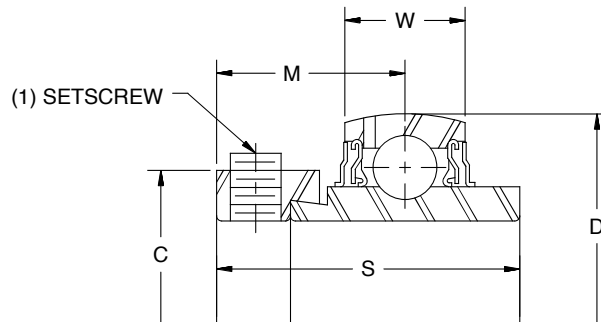
# Hub City IndustrialLine™ Bearing Units

## Bearing Inserts

### Series YW220, YW250

#### YW220 Bearing Inserts

- Spherical outside diameter
- Relube type. Prelubricated at factory
- Molded glass fiber reinforced polyamide retainer
- Nitrile rubber seals with steel flingers
- Metal flingers
- Eccentric locking collar
- Wide inner race



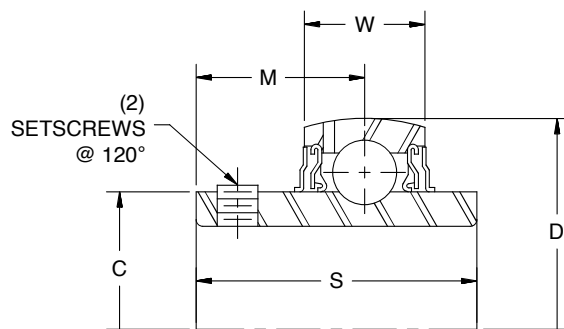
SHAFT SIZE	DIMENSIONS						WT. LBS.
	C	D	M	S	W	SETSCREW	
1	1.472	2.0472	1.059	1.748	0.591	1/4-28 UNF	0.6
1-3/16	1.736	2.4409	1.185	1.906	0.709	5/16-24 UNF	0.8
1-1/4, 1-3/8, 1-7/16	2.012	2.8346	1.272	2.012	0.748	3/8-24 UNF	1.4
1-1/2	2.224	3.1496	1.374	2.217	0.827	3/8-24 UNF	1.7
1-11/16, 1-3/4	2.441	3.3465	1.374	2.217	0.866	3/8-24 UNF	1.9
1-15/16	2.646	3.5433	1.500	2.469	0.866	3/8-24 UNF	2.1
2, 2-3/16	2.933	3.9370	1.717	2.811	0.984	7/16-20 UNF	3.1
2-7/16	3.228	4.3307	1.838	3.063	1.024	7/16-20 UNF	4.4

Part Numbers are specified by "YW220" and Bore Size. Example YW220 x 1-1/4.

Used in PB220W, PB221W, PB220HW, PB221HW Pillow Blocks; FB220HW, FB230HW Flange Blocks; and TU220W Take-Up Units.

#### YW250 Bearing Inserts

- Spherical outside diameter
- Relube type. Prelubricated at factory
- Molded glass fiber reinforced polyamide retainer
- Nitrile rubber seals with steel flingers
- Metal flingers
- Setscrew locking
- Wide inner race



SHAFT SIZE	DIMENSIONS						WT. LBS.
	C	D	M	S	W	SETSCREW	
5/8	0.953	1.5748	0.626	1.079	0.472	1/4-28 UNF	0.2
3/4	1.110	1.8504	0.720	1.220	0.551	1/4-28 UNF	0.3
1	1.328	2.0472	0.780	1.343	0.591	1/4-28 UNF	0.5
1-3/16, 1-1/4S	1.563	2.4409	0.874	1.500	0.709	1/4-28 UNF	0.7
1-1/4, 1-7/16	1.815	2.8346	1.000	1.689	0.748	5/16-24 UNF	1.0
1-1/2	2.039	3.1496	1.189	1.937	0.827	5/16-24 UNF	1.3
1-3/4	2.236	3.3465	1.189	1.937	0.866	5/16-24 UNF	1.6
1-15/16	2.461	3.5433	1.283	2.031	0.866	3/8-24 UNF	1.6
2	2.719	3.9370	1.315	2.189	0.984	3/8-24 UNF	2.5
2-7/16	2.978	4.3307	1.566	2.563	1.024	3/8-24 UNF	3.8

Part Numbers are specified by "YW250" and Bore Size. Example YW250 x 1-1/4.

Used in PB250W, PB251W, PB250HW, PB251HW, TPB250W Pillow Blocks; FB250HW, FB260HW Flange Blocks; and TU250W Take-Up Units.

† DIMENSIONS SHOWN ARE FOR REFERENCE ONLY.

DOWNLOAD AVAILABLE CAD MODELS AT: [WWW.HUBCITYINC.COM](http://WWW.HUBCITYINC.COM)

**Certified prints are available upon request**

# Hub City IndustrialLine™ Bearing Units

## Series 350 - Ratings

SHAFT SIZE	BEARING RADIAL LOAD CAPACITY IN POUNDS BASED ON L-10 LIFE OF 500 HOURS AND STEADY LOAD CONDITIONS (2500 HOURS AVERAGE LIFE)							
	BEARING SPEED – REVOLUTIONS PER MINUTE (RPM)							
	100	500	1,000	1,500	2,000	2,500	3,000	3,500
1	3,040	1,780	1,410	1,230	1,120	1,040	980	930
1-3/16	3,980	2,330	1,850	1,610	1,470	1,360	1,280	—
1-7/16	4,790	2,800	2,220	1,940	1,760	1,640	1,540	—
1-1/2	5,180	3,030	2,400	2,100	1,910	1,770	—	—
1-11/16, 1-3/4	5,480	3,200	2,540	2,220	2,020	1,870	—	—
1-15/16, 2	6,800	3,980	3,160	2,760	2,510	—	—	—
2-3/16, 2-1/4	8,250	4,830	3,830	3,350	3,040	—	—	—
2-7/16, 2-1/2	9,710	5,680	4,510	3,940	—	—	—	—
2-11/16	10,330	6,040	4,790	4,190	—	—	—	—
2-15/16, 3	11,370	6,650	5,280	4,610	—	—	—	—
3-7/16, 3-1/2	14,890	8,710	6,910	6,040	—	—	—	—

For ultimate life, snug fit or light press on shaft should be used.

Maximum Recommended Speeds — 1" and smaller 3500 RPM

1-3/16" - 1-7/16" 3000 RPM

1-1/2" - 1-3/4" 2500 RPM

1-15/16" - 2-1/4" 2000 RPM

2-7/16" and larger 1800 RPM

Recommended Operating Temperature Range — 25° to + 225°F.

For applications not covered in the table above, consult factory engineering.

TO MODIFY THE ABOVE RATINGS FOR OTHER L-10 LIFE REQUIREMENTS OR FOR SHOCK LOADS MULTIPLY THE ABOVE RATINGS BY THE FACTOR FROM THIS CHART														
MODIFICATION FACTORS FOR L-10 SERVICE LIFE AND LOAD CONDITIONS:														
LOAD CONDITIONS	L-10 LIFE (HOURS)													
	500	700	1,000	1,500	2,000	3,000	4,000	5,000	7,000	10,000	15,000	20,000	30,000	50,000
Steady Load	1.00	.894	.794	.694	.630	.550	.500	.464	.415	.368	.322	.292	.255	.215
Light Shock	.90	.804	.715	.624	.567	.495	.450	.418	.373	.331	.290	.263	.230	.194
Moderate Shock	.70	.626	.556	.485	.441	.385	.350	.325	.290	.258	.225	.205	.179	.151

DOWNLOAD AVAILABLE CAD MODELS AT: [WWW.HUBCITYINC.COM](http://WWW.HUBCITYINC.COM)

**Certified prints are available upon request**

EMAIL: [hubsales@regalbeloit.com](mailto:hubsales@regalbeloit.com) • [www.hubcityinc.com](http://www.hubcityinc.com)

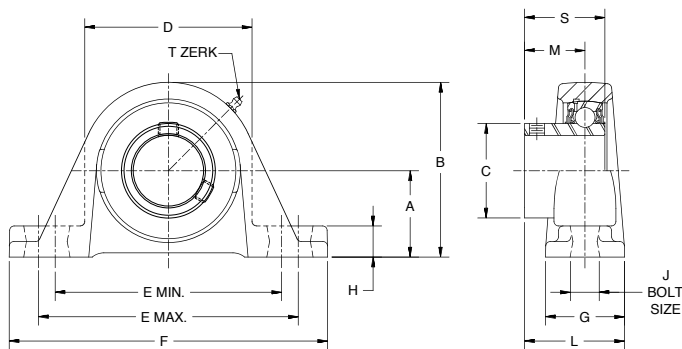


# Hub City IndustriaLine™ Bearing Units

## Cast Iron Pillow Blocks

### Series PB350

- Relube type. Prelubricated at factory
- Setscrew locking
- Self-aligning replaceable bearing
- Nitrile rubber seals with steel trash guard
- Precision bored Cast Iron Housing



SHAFT SIZE	DIMENSIONS														WT. LBS.
	A	B	C	D	E		F	G	H	J	L	M	S		
					MIN.	MAX.									
1	1.688	3.250	1.563	3.000	4.250	5.125	6.375	1.750	0.750	0.500	1.710	0.826	1.189	3.3	
1-3/16	1.875	3.688	1.815	3.438	4.688	5.500	6.750	1.875	0.688	0.500	1.851	0.917	1.299	4.4	
1-7/16	2.125	4.125	2.039	3.875	5.125	5.938	7.125	1.875	0.938	0.500	1.937	0.996	1.417	4.9	
1-1/2	2.313	4.438	2.236	4.125	5.750	6.500	8.000	2.000	1.000	0.625	2.017	1.015	1.457	5.6	
1-3/4	2.313	4.563	2.461	4.313	5.813	6.750	8.375	2.000	0.875	0.625	2.092	1.086	1.528	6.7	
1-15/16, 2	2.500	5.000	2.719	4.750	6.375	7.433	9.000	2.250	0.938	0.625	2.406	1.280	1.772	8.5	
2-3/16, 2-1/4	2.750	5.563	2.978	5.250	6.875	8.000	9.625	2.500	1.188	0.750	2.625	1.378	1.909	11.3	
2-7/16, 2-1/2	3.000	6.125	3.427	6.000	7.750	8.750	10.500	2.750	1.125	0.750	2.938	1.457	2.008	15.2	
2-11/16	3.500	6.750	3.624	6.250	8.000	9.500	11.250	3.000	1.375	0.875	3.031	1.535	2.106	17.9	
2-15/16, 3	3.500	7.000	3.835	6.750	8.500	10.250	12.000	3.250	1.125	0.875	3.156	1.537	2.185	19.1	
3-7/16, 3-1/2	4.000	8.000	4.394	7.688	9.688	12.563	14.563	3.500	1.125	0.875	3.328	1.555	2.244	28.4	

Part Numbers are specified by "PB350" and Bore Size.

Example: PB350 x 2-7/16.

For Load Ratings, see page M-37. For Comparison Charts, see page M-45.

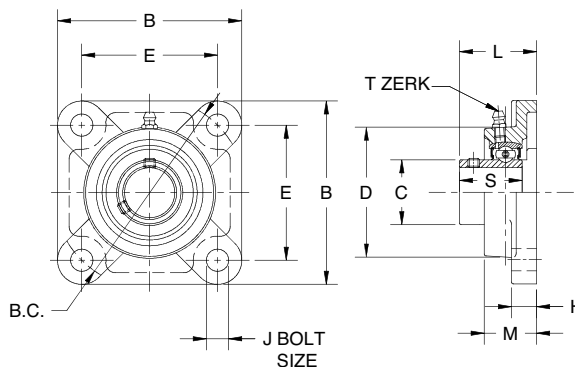
For replacement inserts use B350 Bearing Inserts, see page M-41.

T-Zerk: 1/4-28 Taper

## Cast Iron Flange Blocks

### Series FB350

- Relube type. Prelubricated at factory
- Setscrew locking
- Self-aligning replacement bearing
- Nitrile rubber seals with steel trash guard
- Precision bored Cast Iron Housing



SHAFT SIZE	DIMENSIONS											WT. LBS.
	B	B.C.	C	D	E	H	J	L	M	S		
1	4.250	4.625	1.563	3.190	3.268	0.550	0.472	1.575	1.220	1.189	3.0	
1-3/16	4.610	5.125	1.815	3.620	3.622	0.630	0.551	1.752	1.340	1.299	4.6	
1-7/16	5.120	5.677	2.039	4.090	4.016	0.630	0.630	1.949	1.420	1.417	5.4	
1-1/2	5.390	5.846	2.236	4.250	4.134	0.710	0.630	2.067	1.500	1.457	5.8	
1-3/4	5.630	6.181	2.461	4.450	4.375	0.710	0.630	2.126	1.570	1.528	7.0	
1-15/16, 2	6.380	7.236	2.719	4.920	5.180	0.780	0.748	2.264	1.690	1.772	9.2	
2-3/16, 2-1/4	6.880	7.960	2.978	5.310	5.630	0.780	0.748	2.520	1.890	1.909	12.1	
2-7/16, 2-1/2	7.370	8.296	3.427	6.090	5.866	0.830	0.748	2.796	2.320	2.008	15.4	
2-11/16	7.750	8.463	3.624	6.380	5.984	0.940	0.906	2.992	2.360	2.106	18.3	
2-15/16, 3	7.750	8.463	3.835	6.780	5.984	0.940	0.906	3.110	2.680	2.185	19.0	
3-7/16, 3-1/2	8.430	9.520	4.394	7.690	6.732	0.940	0.906	3.130	2.750	2.244	22.2	

Part Numbers are specified by "FB350" and Bore Size.

Example: FB350 x 2-7/16.

For Load Ratings, see page M-37. For Comparison Charts, see page M-46.

For replacement inserts use B350 Bearing Inserts, see page M-41.

T-Zerk: 1/4-28 Taper

⚠ DIMENSIONS SHOWN ARE FOR REFERENCE ONLY.

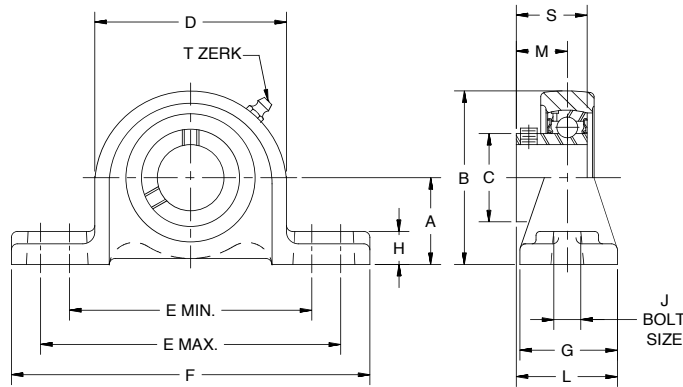
DOWNLOAD AVAILABLE CAD MODELS AT: [WWW.HUBCITYINC.COM](http://WWW.HUBCITYINC.COM)

**Certified prints are available upon request**

# Hub City IndustrialLine™ Bearing Units

## Hub-Alloy® Pillow Blocks

### Series PB350H



- Relube type. Prelubricated at factory
- Setscrew locking
- Self-aligning replacement bearing
- Nitrile rubber seals with steel trash guard
- Precision bored HUB-ALLOY® housing
- Higher strength and greater impact resistance than gray iron for high shock loads

SHAFT SIZE	DIMENSIONS													WT. LBS.
	A	B	C	D	E		F	G	H	J	L	M	S	
					MIN.	MAX.								
1	1.688	3.156	1.563	2.938	4.250	5.125	6.063	1.500	0.688	0.500	1.585	0.826	1.189	2.0
1-3/16	1.875	3.563	1.815	3.375	4.625	5.500	6.438	1.500	0.625	0.500	1.663	0.917	1.299	2.8
1-7/16	2.125	4.000	2.039	3.750	5.063	6.313	7.375	1.750	0.688	0.500	1.874	0.996	1.417	4.3
1-1/2	2.313	4.313	2.236	4.000	5.563	6.688	7.875	2.000	0.813	0.625	2.018	1.015	1.457	5.1
1-3/4	2.313	4.438	2.461	4.250	5.813	6.688	7.875	2.125	0.875	0.625	2.154	1.086	1.528	5.3
1-15/16, 2	2.500	4.844	2.719	4.688	6.063	7.438	8.625	2.375	0.875	0.625	2.469	1.280	1.772	6.6
2-3/16, 2-1/4	2.750	5.344	2.978	5.188	6.688	7.813	9.250	2.625	0.938	0.750	2.688	1.378	1.909	8.6
2-7/16, 2-1/2	3.000	5.938	3.427	5.875	7.438	8.563	10.000	2.875	0.938	0.750	2.891	1.457	2.008	12.4
2-11/16	3.500	6.563	3.624	6.125	8.313	9.688	11.313	3.000	1.000	0.875	3.031	1.535	2.106	15.3
2-15/16, 3	3.500	6.750	3.835	6.500	8.313	9.688	11.313	3.125	1.000	0.875	3.094	1.537	2.185	15.8
3-7/16, 3-1/2	4.000	7.688	4.394	7.375	9.688	12.563	14.188	3.500	1.188	0.875	3.328	1.555	2.244	23.3

Part Numbers are specified by "PB350H" and Bore Size.

Example: PB350H x 2-7/16.

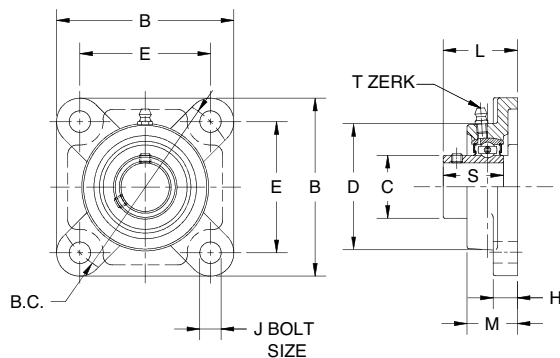
For Load Ratings, see page M-37. For Comparison Charts, see page M-45.

For replacement inserts use B350 Bearing Inserts, see page M-41.

T-Zerk: 1/4-28 Taper

## Hub-Alloy® Flange Blocks

### Series FB350H



- Relube type. Prelubricated at factory
- Setscrew locking
- Self-aligning replacement bearing
- Nitrile rubber seals with steel trash guard
- Precision bored HUB-ALLOY® housing
- Higher strength and greater impact resistance than gray iron for high shock loads

SHAFT SIZE	DIMENSIONS										WT. LBS.
	B	B.C.	C	D	E	H	J	L	M	S	
1	4.250	4.596	1.563	3.190	3.250	0.510	0.472	1.263	1.180	1.189	3.0000
1-3/16	4.610	5.125	1.815	3.620	3.625	0.560	0.630	1.350	1.340	1.299	4.2000
1-7/16	5.120	5.656	2.039	4.090	4.000	0.560	0.630	1.528	1.500	1.417	5.4000
1-1/2	5.390	5.834	2.236	4.250	4.125	0.560	0.748	1.566	1.570	1.457	5.8000
1-3/4	5.630	6.187	2.461	4.450	4.375	0.560	0.748	1.677	1.570	1.528	7.0000
1-15/16, 2	6.380	7.250	2.719	4.920	5.125	0.790	0.748	1.922	1.730	1.772	9.2000
2-3/16, 2-1/4	6.890	7.954	2.978	5.310	5.625	0.790	0.748	2.051	1.930	1.909	12.1000
2-7/16, 2-1/2	7.360	8.308	3.427	6.100	5.875	0.830	0.748	2.158	2.320	2.080	15.4000
2-11/16	7.750	8.485	3.624	6.380	6.000	0.940	0.906	2.252	2.360	2.106	18.3000
2-15/16, 3	7.750	8.485	3.835	6.770	6.000	0.940	0.906	2.449	2.680	2.185	19.0000
3-7/16, 3-1/2	8.420	9.546	4.394	7.680	6.750	0.940	0.906	2.255	2.750	2.244	22.2000

Part Numbers are specified by "FB350H" and Bore Size.

Example: FB350H x 2-7/16.

For Load Ratings, see page M-37. For Comparison Charts, see page M-46.

For replacement inserts use B350 Bearing Inserts, see page M-41.

T-Zerk: 1/4-28 Taper

DOWNLOAD AVAILABLE CAD MODELS AT: [WWW.HUBCITYINC.COM](http://WWW.HUBCITYINC.COM)

Certified prints are available upon request

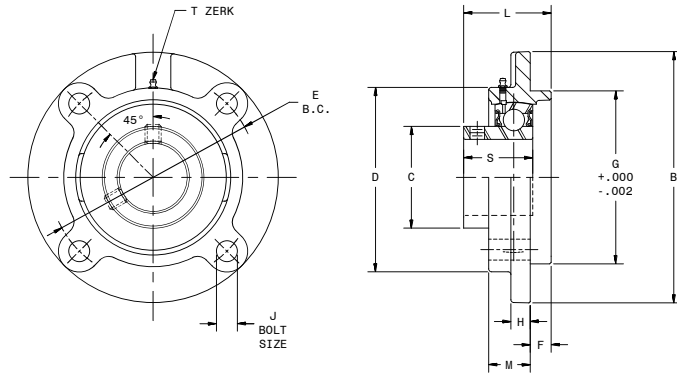
↑ DIMENSIONS SHOWN ARE FOR REFERENCE ONLY.

# Hub City IndustriaLine™ Bearing Units

## Cast Iron Flange Cartridge

### Series FC350

- Relube type. Prelubricated at factory
- Setscrew locking
- Self-aligning replacement bearing
- Nitrile rubber seals with steel trash guard
- Precision bored Cast Iron Housing



SHAFT SIZE	DIMENSIONS											WT. LBS.
	B	C	D	E	F	G	H	J	L	M	S	
1	4.370	1.563	3.250	3.622	0.250	3.000	0.370	0.374	1.470	0.940	1.189	3.3
1-3/16	5.000	1.815	3.620	4.134	0.370	3.374	0.370	0.472	1.003	0.870	1.299	3.3
1-7/16	5.280	2.039	3.880	4.370	0.440	3.622	0.430	0.472	1.794	0.870	1.417	3.9
1-1/2	6.100	2.236	4.250	5.118	0.430	4.252	0.470	0.551	1.814	1.020	1.457	4.1
1-3/4	6.100	2.461	4.500	5.118	0.470	4.252	0.430	0.551	2.726	0.980	1.528	5.5
1-15/16, 2	6.380	2.719	4.880	5.394	0.630	4.500	0.510	0.551	2.900	0.980	1.772	6.1
2-3/16, 2-1/4	7.090	2.978	5.380	5.984	0.870	5.000	0.630	0.630	2.410	1.020	1.909	8.9
2-7/16, 2-1/2	7.640	3.427	6.000	6.496	0.780	5.500	0.560	0.630	2.670	1.300	2.080	11.3
2-11/16	8.740	3.624	6.380	7.500	0.780	6.378	0.560	0.748	2.870	1.420	2.106	15.4
2-15/16, 3	8.740	3.835	6.620	7.500	0.870	6.378	0.630	0.748	2.880	1.380	2.185	15.2
3-7/16, 3-1/2	10.240	4.394	7.500	8.622	1.000	7.374	0.750	0.906	2.950	1.420	2.244	22.5

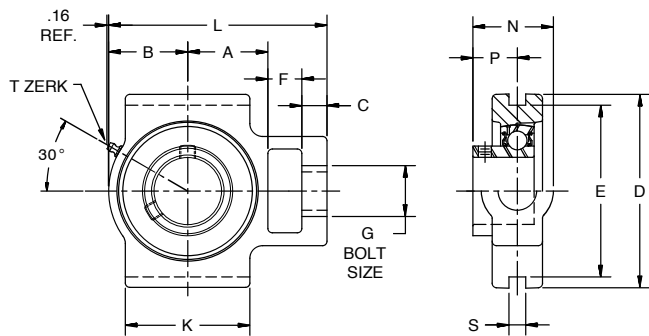
Part Numbers are specified by "FC350" and Bore Size. Example: FC350 x 1-1/2.  
For Load Ratings, see page M-37. For Comparison Charts, see page M-40.

For replacement inserts use B350 Bearing Inserts, see page M-41.  
T-Zerk: 1/4-28 Taper

## Take-Up Units

### Series TU350

- Relube type. Prelubricated at factory
- Setscrew locking
- Self-aligning replacement bearing
- Nitrile rubber seals with steel trash guard
- Precision bored Cast Iron housing



SHAFT SIZE	USE WITH FRAME NO. ★	DIMENSIONS											WT. LBS.		
		A	B	C	D	E	F	G	J	K	L	N		P	S
1-7/16	3 thru 18T200FH	1.890	1.850	0.630	4.490	4.000	0.750	1.140	2.640	2.950	5.470	1.900	1.122	0.311	4.0
1-1/2	3 thru 18T200FH	2.050	2.000	0.630	4.490	4.000	0.750	1.140	2.640	3.110	5.780	1.920	1.201	0.311	4.8
1-3/4	3 thru 18T200FH	2.200	2.130	0.630	4.490	4.000	0.750	1.140	2.640	3.310	6.060	2.000	1.260	0.311	6.8
1-15/16, 2	9 thru 18T200JK	2.380	2.330	0.750	5.750	5.126	1.000	1.380	3.270	3.700	6.810	2.350	1.280	0.311	9.6
2-3/16, 2-1/4	9 thru 18T200JK	2.380	2.870	0.750	5.750	5.126	1.000	1.380	3.270	4.060	7.670	2.450	1.378	0.311	12.0

Part Numbers are specified by "TU350" and Bore Size.  
Example: TU350 x 2-1/4.

★ Take-Up Frames shown on page M-33.

For replacement inserts use B350 Bearing Inserts, see page M-41.  
For Load Ratings, see page M-37.  
T-Zerk: 1/4-28 Taper

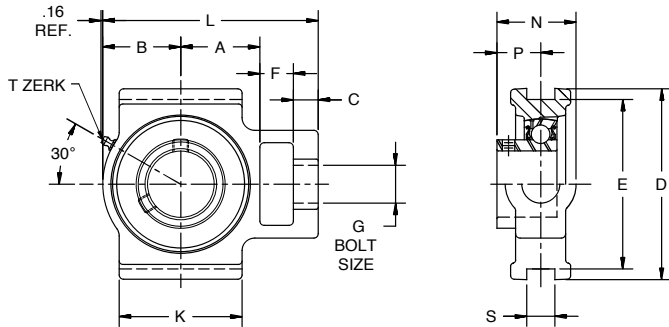
† DIMENSIONS SHOWN ARE FOR REFERENCE ONLY.

DOWNLOAD AVAILABLE CAD MODELS AT: [WWW.HUBCITYINC.COM](http://WWW.HUBCITYINC.COM)

Certified prints are available upon request

# Hub City IndustrialLine™ Bearing Units Take-Up Units

## Series WSTU350



- Relube type. Prelubricated at factory
- Setscrew locking
- Self-aligning replacement bearing
- Nitrile rubber seals with steel trash guard
- Precision bored Cast Iron housing

SHAFT SIZE	USE WITH FRAME NO. ★	DIMENSIONS													WT. LBS.
		A	B	C	D	E	F	G	J	K	L	N	P	S§	
1-7/16	3 Thru 18TWS200FH	2.120	2.170	0.630	4.490	4.00	0.750	1.140	3.270	3.270	5.830	1.900	1.122	0.689	4.0
1-1/2	3 Thru 18TWS200FH	2.050	2.240	0.630	4.490	4.00	0.750	1.140	3.270	3.270	5.830	1.920	1.201	0.689	4.8
1-3/4	3 Thru 18TWS200FH	2.160	2.330	0.630	4.490	4.00	0.750	1.140	3.270	3.380	6.030	2.000	1.260	0.689	6.8
1-15/16, 2	9 Thru 18TWS200JK	2.440	2.560	0.750	5.750	5.126	0.980	1.380	4.020	3.740	6.890	2.350	1.280	1.063	9.6
2-3/16, 2-1/4	9 Thru 18TWS200JK	2.680	2.950	0.750	5.750	5.126	1.260	1.380	4.020	4.020	7.800	2.450	1.378	1.063	12.0
2-7/16, 2-1/2	9 Thru 18TWS200JK	3.310	3.420	0.830	6.570	5.945	1.260	1.620	4.370	4.760	8.980	2.450	1.457	1.063	16.0

Part Numbers are specified by "TU350" and Bore Size. Example: TU350 x 2-1/4.  
For replacement inserts use B350 Bearing Inserts, see page M-41.  
T-Zerk: 1/4-28 Taper

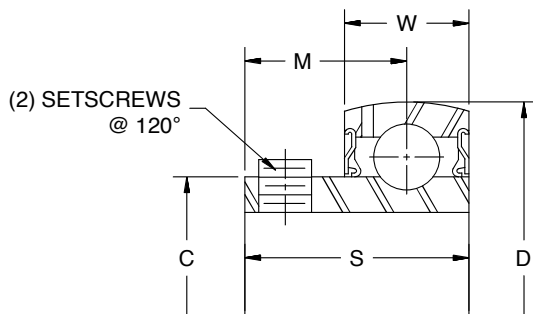
★ Take-Up Frames shown on page M-34.  
For Load Ratings, see page M-37.

IndustrialLine™ Bearings



## Bearing Inserts

### Series B350



- Spherical outside diameter
- Relube type. Prelubricated at factory
- Molded glass fiber reinforced polyamide retainer
- Nitrile rubber seals with steel trash guard
- Setscrew locking
- Medium duty

SHAFT SIZE	DIMENSIONS						WT. LBS.
	C	D	M	S	W	SETScrew	
1	1.5630	2.4409	0.8260	1.1890	0.7090	1/4-24 UNF	1.0
1-3/16	1.8150	2.8346	0.9170	1.2990	0.7480	5/16-24 UNF	1.3
1-7/16	2.0390	3.1496	0.9960	1.4170	0.8270	5/16-24 UNF	1.6
1-1/2	2.2360	3.3465	1.0150	1.4570	0.8660	5/16-24 UNF	1.9
1-3/4	2.4610	3.5433	1.0860	1.5280	0.8660	3/8-24 UNF	2.2
1-15/16, 2	2.7190	3.9370	1.2800	1.7720	0.9840	3/8-24 UNF	2.6
2-3/16, 2-1/4	2.9780	4.3307	1.3780	1.9090	1.0240	3/8-24 UNF	3.1
2-7/16, 2-1/2	3.4270	4.9213	1.4570	2.0080	1.1020	3/8-24 UNF	5.1
2-11/16	3.6240	5.1181	1.5350	2.1060	1.1420	3/8-24 UNF	5.6
2-15/16, 3	3.8350	5.5118	1.5370	2.1850	1.1810	3/8-24 UNF	6.4
3-7/16, 3-1/2	4.3940	6.2992	1.5550	2.2440	1.3390	3/8-24 UNF	8.5

Part Numbers are specified by "B350" and Bore Size. Example: B350 x 1-1/2.

Used in PB350, PB350H Pillow Blocks, FB350, FB350H Flange Blocks, FC350 Flange Cartridges and TU350 Take-Up Units.

DOWNLOAD AVAILABLE CAD MODELS AT: [WWW.HUBCITYINC.COM](http://WWW.HUBCITYINC.COM)

Certified prints are available upon request

† DIMENSIONS SHOWN ARE FOR REFERENCE ONLY.

EMAIL: [hubsales@regalbeloit.com](mailto:hubsales@regalbeloit.com) • [www.hubcityinc.com](http://www.hubcityinc.com)



M-41



# Hub City IndustrialLine™ Bearing Units

## Interchange Comparisons

### Series PB120 & PB150

HUB-ALLOY® Pillow Blocks  
High Shaft Height

SHAFT SIZE	HUB CITY	BOSTON	BROWNING	SEALMASTER
	PB120 PB150②	XL①	VPS-M②	LP①
1/2	X 1/2	- 1/2	-108	-8
5/8	X 5/8	- 5/8	-110	-10
3/4	X 3/4	- 3/4	-112	-12
7/8	X 7/8	- 7/8	-114	-14
15/16	X 15/16	- 15/16	- 115	-15
1	X 1	-1	-116	-16
1-1/8	X 1-1/8	-1-1/8	-118	-18
1-3/16	X 1-3/16	-1-3/16	-119	-19
1-1/4S	X 1-1/4S	-1-1/4S	-120S	-20R
1-1/4	X 1-1/4	—	—	—
1-5/16	X 1-5/16	-1-5/16	—	—
1-3/8	X 1-3/8	-1-3/8	-122	-22
1-7/16	X 1-7/16	-1-7/16	-123	-23

① Non-Relube – Setscrew Lock  
② Relube – Setscrew Lock

### Series FB120 & FB150

Hub-Alloy®  
Three-Hole Flange Blocks

SHAFT SIZE	HUB CITY	BOSTON	FAFNIR	BROWNING	PTC	SEALMASTER	DODGE
	FB120 FB150②	XL3①	VFD① GVFD②	VF3S-M②	F-W-U/E① F-WG-U/E②	LF①	SCLF N/L① SCLF②
1/2	X 1/2	- 1/2	- 1/2	-108	2B08	—	- 1/2
5/8	X 5/8	- 5/8	- 5/8	-110	210	—	- 5/8
3/4	X 3/4	- 3/4	- 3/4	-112	212	-12	- 3/4
7/8	X 7/8	- 7/8	- 7/8	-114	214	-14	- 7/8
15/16	X 15/16	- 15/16	- 15/16	-115	215	-15	- 15/16
1	X 1	-1	-1	-116	216	-16	-1
1-1/8	X 1-1/8	-1-1/8	-1-1/8	-118	218	-18	-1-1/8
1-3/16	X 1-3/16	-1-3/16	-1-3/16	-119	219	-19	-1-3/16
1-1/4S	X 1-1/4S	-1-1/4S	-1-1/4S	-120S	2E20	-20R	-1-1/4, 206
1-1/4	X 1-1/4	—	—	-1-1/4	220	-20	-1-1/4, 207
1-5/16	X 1-5/16	-1-5/16	-1-5/16	—	221	—	-1-5/16
1-3/8	X 1-3/8	-1-3/8	-1-3/8	-122	222	-22	-1-3/8
1-7/16	X 1-7/16	-1-7/16	-1-7/16	-123	223	-23	-1-7/16

① Non-Relube – Setscrew Lock  
② Relube – Setscrew Lock

### Series FB110, FB130 & FB160

Hub-Alloy®  
Two-Hole Flange Blocks

SHAFT SIZE	HUB CITY	BOSTON	FAFNIR	BROWNING	PTC	SEALMASTER	DODGE
	FB110① FB130 FB160②	XL2②	VFTD① GVFTD②	VF2S-M②	FX-W-U③ FX-WG-U④	LFT①	SCLFT N/L① SCLFT②
1/2	X 1/2	- 1/2	- 1/2	-108	2B08	-8	- 1/2
5/8	X 5/8	- 5/8	- 5/8	-110	210	-10	- 5/8
3/4	X 3/4	- 3/4	- 3/4	-112	212	-12	- 3/4
7/8	X 7/8	- 7/8	- 7/8	-114	214	-14	- 7/8
15/16	X 15/16	- 15/16	- 15/16	-115	215	-15	- 15/16
1	X 1	-1	-1	-116	216	-16	-1
1-1/8	X 1-1/8	-1-1/8	-1-1/8	-118	218	-18	-1-1/8
1-3/16	X 1-3/16	-1-3/16	-1-3/16	-119	219	-19	-1-3/16
1-1/4S	X 1-1/4S	-1-1/4S	-1-1/4S	-120S	2E20	-20R	-1-1/4, 206
1-1/4	X 1-1/4	—	-1-1/4	—	220	-20	-1-1/4, 207
1-5/16	X 1-5/16	-1-5/16	-1-5/16	—	221	—	-1-5/16
1-3/8	X 1-3/8	-1-3/8	-1-3/8	-122	222	-22	-1-3/8
1-7/16	X 1-7/16	-1-7/16	-1-7/16	-123	223	-23	-1-7/16

① Non-Relube – Setscrew Lock      ③ Non-Relube – Eccentric Lock  
② Relube – Setscrew Lock          ④ Relube – Eccentric Lock

### Series TPB220, TPB220W, TPB250 & TPB250W

Cast Iron Tapped Base  
Pillow Blocks

SHAFT SIZE	HUB CITY	BROWNING	SEALMASTER	DODGE
	TPB220 TPB220W TPB250① TPB250W①	MTBS① VTBS①	TB① RTB①	SCB①
1/2	X 1/2	-208②	-8	- 1/2
5/8	X 5/8	-210	-10	- 5/8
3/4	X 3/4	-212	-12	- 3/4
7/8	X 7/8	-214②	-14	- 7/8
15/16	X 15/16	-215	-15	- 15/16
1	X 1	-216	-16	-1
1-1/8	X 1-1/8	-218②	-18	-1-1/8
1-3/16	X 1-3/16	-219	-19	-1-3/16
1-1/4S	X 1-1/4S	-220S②	-20R	-1-1/4, 206
1-1/4	X 1-1/4	-220	-20	-1-1/4, 207
1-5/16	X 1-5/16	—	-21③	-1-5/16
1-3/8	X 1-3/8	-222	-22	-1-3/8
1-7/16	X 1-7/16	-223	-23	-1-7/16
1-1/2	X 1-1/2	-224	-24	—
1-5/8	X 1-5/8	-226②	-26	—
1-11/16	X 1-11/16	-227②	-27	—
1-3/4	X 1-3/4	-228	-28	—
1-15/16	X 1-15/16	-231	-31	—
2S	X 2S	—	-32R	—
2	X 2	-232	—	—
2-3/16	X 2-3/16	—	—	—

① Non-Relube – Setscrew Lock  
② Not available in MTBS Series  
③ Not available in RTB Series

Interchanges are for comparison purposes; dimensions and ratings may vary.

DOWNLOAD AVAILABLE CAD MODELS AT: WWW.HUBCITYINC.COM

Certified prints are available upon request

# Hub City IndustrialLine™ Bearing Units

## Interchange Comparisons

### Series PB220, PB220W, PB250, PB250W Cast Iron, PB220HW, PB250HW HUB-ALLOY® Pillow Blocks - Low

SHAFT SIZE	HUB CITY	BOSTON	DODGE	FAFNIR	BROWNING	PTC	SEALMASTER	SKF	MCGILL
	PB220 ①	L ① ⑥	SCB ②	LAK ①	MPLS ②	PL3-U ②	NPL ②	SYHP ③ ⑧	CL-25 ②
	PB250 ②	SL ②	VSCB ② ⑦	RAK ①	MPL ①	PL3-Y ①	RPL ② ⑦	SYH-X ②	
	PB220W ① ⑦		SXRB ①	TAK ①	VPLS ② ④	PL3-W ①	VPL ② ⑦		
	PB250W ② ⑦		SXVB ① ⑦	VAK ①	VPLE ① ④				
1/2	X 1/2	- 1/2	-	- 1/2	-108/208	2B08N/U	-8	-8	- 1/2
5/8	X 5/8	- 5/8	-	-5/8	-110/210	210N/U	-10	-10	- 5/8
3/4	X 3/4	- 3/4	- 3/4	- 3/4	-112/212	212N/U	-12	-12	- 3/4
7/8	X 7/8	- 7/8	- 7/8	- 7/8	-114/214	214N/U	-14	-14	- 7/8
15/16	X 15/16	- 15/16	- 15/16	- 15/16	-115/215	215N/U	-15	-15	- 15/16
1	X 1	-1	-1	-1	-116/216	216N/U	-16	-100	-1
1-1/8	X 1-1/8	-1-1/8	-1-1/8	-1-1/8	-118/218	218N/E	-18	-102	-1-1/8
1-3/16	X 1-3/16	-1-3/16	-1-3/16	-1-3/16	-119/219	219N/E	-19	-103	-1-3/16
1-1/4S	X 1-1/4S	-1-1/4S	-1-1/4, 206	-	-120S/220S	2E20N/E	-20R	-104A	-1-1/4S
1-1/4	X 1-1/4	-1-1/4	-1-1/4, 207	-1-1/4	-220	220N/E	-20	-104	-1-1/4
1-5/16	X 1-5/16	-1-5/16	-1 5/16	-1-5/16	-	221N/E	-21	-105	-
1-3/8	X 1-3/8	-1-3/8	-1-3/8	-1-3/8	-122/222	222N/E	-22	-106	-1-3/8
1-7/16	X 1-7/16	-1-7/16	-1-7/16	-1-7/16	-123/223	223N/E	-23	-107	-1-7/16
1-1/2	X 1-1/2	-1-1/2	-1-1/2	‡-1-1/2	-224	224N/E	-24	-108	-1-1/2
1-5/8	X 1-5/8	-1-5/8	‡-1-5/8	-1-5/8	-226	226N/U	-26	-110	-1-5/8
1-11/16	X 1-11/16	-1-11/16	-1-11/16	-1-11/16	-227	227N/U	-27	-111	-1-11/16
1-3/4	X 1-3/4	-1-3/4	-1-3/4	-1-3/4	-228	228N/U	-28	-112	-1-3/4
1-15/16	X 1-15/16	-1-15/16	-1-15/16	-1-15/16	-231	231N/U	-31	-115	-1-15/16
2S	X 2S	-	-2, 210	-	-	2E32N/U	-2R	-	-2
2	X 2	-2	-	-2	-232	232N	-32	-200	-2L
2-3/16	X 2-3/16	-2-3/16	-2-7/16	-2 3/16	-235	235N	-35	-203	-2-3/16
2-1/4	X 2-1/4	-2-1/4	‡-2-1/4	-2 1/4	-236	236N	-36	-204	-2-1/4
2-7/16	X 2-7/16	-2-7/16	-2-7/16	-2 7/16	-239	239N	-39	-207	-2-3/8
2-15/16	X 2-15/16	-	-	‡-2 15/16	-247	-	-	-215	‡-2-15/16

### Series PB221, PB221W, PB251, PB251W Cast Iron, PB221HW, PB251HW HUB-ALLOY® Pillow Blocks - High

SHAFT SIZE	HUB CITY	BOSTON	DODGE	FAFNIR	BROWNING	PTC	SEALMASTER	SKF	MCGILL
	PB221 ①	H ① ⑥	SC ②	LAS ①	MPS ②	P3-U ②	NP ②	SY ②	C-25 ②
	PB251 ②	SH ②	VSC ② ⑦	RAS ①	MPE ①	P3-Y ①	RP ② ⑦	SYP ③ ⑧	
	PB221W ① ⑦		SXR ① ⑦	RASC ②	VPS ② ④	P3-W ① ⑤	VP ② ⑦		
	PB251W ② ⑦		SXV ① ⑦	SAS ②	VPE ① ④				
1/2	X 1/2	- 1/2	1/2, 203	- 1/2	-108/208	2B08N/U	-8	-8	- 1/2
5/8	X 5/8	- 5/8	5/8, 203	- 5/8	-110/210	210N/U	-10	-10	- 5/8
3/4	X 3/4	- 3/4	- 3/4	- 3/4	-112/212	212N/U	-12	-12	- 3/4
7/8	X 7/8	- 7/8	- 7/8	- 7/8	-114/214	214N/U	-14	-14	- 7/8
15/16	X 15/16	- 15/16	- 15/16	- 15/16	-115/215	215N/U	-15	-15	- 15/16
1	X 1	-1	-1	-1	-116/216	216N/U	-16	-100	-1
1-1/8	X 1-1/8	-1-1/8	‡-1-1/8	-1-1/8	-118/218	218N/E	-18	-102	-1-1/8
1-3/16	X 1-3/16	-1-3/16	-1-3/16	-1-3/16	-119/219	219N/E	-19	-103	-1-3/16
1-1/4S	X 1-1/4S	-1-1/4S	-1-1/4, 206	-	-120S/220S	2E20N/E	-20R	-104A	-1-1/4S
1-1/4	X 1-1/4	-1-1/4	-1-1/4, 207	-1-1/4	-220	220N/E	-20	-104	-1-1/4
1-5/16	X 1 5/16	-1-5/16	-1-5/16	-1-5/16	-	221N/E	-21	-105	-
1-3/8	X 1-3/8	-1-3/8	-1-3/8	-1-3/8	-122/222	222N/E	-22	-106	-1-3/8
1-7/16	X 1-7/16	-1-7/16	-1-7/16	-1-7/16	-123/223	223N/E	-23	-107	-1-7/16
1-1/2	X 1-1/2	-1-1/2	‡-1-1/2	‡-1-1/2	-224	224N/E	‡-24	-108	-1-1/2
1-5/8	X 1-5/8	-1-5/8	-1-5/8	-1-5/8	-226	226N/U	-26	-110	-1-5/8
1-11/16	X 1-11/16	-1-11/16	-1-11/16	-1-11/16	-227	227N/U	-27	-111	-1-11/16
1-3/4	X 1-3/4	-1-3/4	-1-3/4	-1-3/4	-228	228N/U	-28	-112	-1-3/4
1-15/16	X 1-15/16	-1-15/16	-1-15/16	-1-15/16	-231	231N/U	-31	-115	-1-15/16
2S	X 2S	-	-2, 210	-2S	-	2E32N/U	-2R	-	-2
2	X 2	-2	-2, 211	-2	-232	232N	-32	-200	-2L
2-3/16	X 2 3/16	-2-3/16	-2 3/16	-2-3/16	-235	235N	-35	-203	-2-3/16
2-1/4	X 2-1/4	-2-1/4	-2 1/4, 212	-2-1/4	-236	236N	-36	-204	-2-1/4
2-7/16	X 2-7/16	-2-7/16	-2 7/16	-2 7/16	-239	239N	-39	-207	-2-7/16
2-15/16	X 2-15/16	-	‡-2 15/16	‡-2-15/16	-247	-	-	-215	‡-2-15/16

**INTERCHANGES ARE FOR COMPARISON PURPOSES; DIMENSIONS AND RATINGS MAY VARY.**

DOWNLOAD AVAILABLE CAD MODELS AT: [WWW.HUBCITYINC.COM](http://WWW.HUBCITYINC.COM)

**Certified prints are available upon request**

EMAIL: [hubsales@regalbeloit.com](mailto:hubsales@regalbeloit.com) • [www.hubcityinc.com](http://www.hubcityinc.com)



IndustrialLine™ Bearings



# Hub City IndustrialLine™ Bearing Units

## Interchange Comparisons

### Series FB220, FB250 Cast Iron; FB220HW, FB250HW Hub Alloy® 4-Hole Flange Blocks

SHAFT SIZE	HUB CITY	BOSTON	DODGE	FAFNIR	BROWNING	PTC	SEALMASTER	SKF	MCGILL	
	FB220① FB250② FB220HW①⑦ FB250HW②⑦	F①⑥ SF②	SC4② VSC4②⑦ SXR4①⑦ SXV4①⑦	LCJ① RCJ① RCJC② SCJ② TCJ① VCJ①	MF4S② MF4E② VF-4S②④ VF4E①④	F3-U② F3-Y② F3-W①⑤	SF② RF②⑦ VF②⑦	FYP③⑧ FY② FY-X① FY-TM② FY-WN①⑦	FC4-25②	
1/2	X 1/2	- 1/2	- 1/2, 203	- 1/2	-108/208	2B08N/U	-8	-8	- 1/2	① Relube – Eccentric Lock ② Relube – Setscrew Lock ③ Non-Relube – Eccentric Lock ④ VF4E and VF4S available in 100 and 200 Series ⑤ U or E Suffix on F3-W only ⑥ 3 thru 12 Prefix on F Series ⑦ Not all sizes available ⑧ 1-7/16 maximum shaft size ‡ Not dimensionally interchangeable
5/8	X 5/8	- 5/8	- 5/8, 203	- 5/8	-110/210	210N/U	-10	-10	- 5/8	
3/4	X 3/4	- 3/4	- 3/4	- 3/4	-112/212	212N/U	-12	-12	- 3/4	
7/8	X 7/8	- 7/8	- 7/8	- 7/8	-114/214	214N/U	-14	-14	- 7/8	
15/16	X 15/16	- 15/16	- 15/16	- 15/16	-115/215	215N/U	-15	-15	- 15/16	
1	X 1	-1	-1	-1	-116/216	216N/U	-16	-100	-1	
1-1/8	X 1-1/8	-1-1/8	-1-1/8	-1-1/8	-118/218	218N/E	-18	-102	-1-1/8	
1-3/16	X 1-3/16	-1-3/16	-1-3/16	-1-3/16	-119/219	219N/E	-19	-103	-1-3/16	
1-1/4S	X 1-1/4S	-1-1/4S	-1-1/4, 206	—	-120S/220S	2E20N/E	-20R	—	-1-1/4S	
1-1/4	X 1-1/4	-1-1/4	-1-1/4, 207	-1-1/4	-220	220N/E	-20	-104	-1-1/4	
1-5/16	X 1-5/16	-1-5/16	-1-5/16	-1-5/16	—	221N/E	-21	-105	-1-5/16	
1-3/8	X 1-3/8	-1-3/8	-1-3/8	-1-3/8	-122/222	222N/E	-22	-106	-1-3/8	
1-7/16	X 1-7/16	-1-7/16	-1-7/16	-1-7/16	-123/223	223N/E	-23	-107	-1-7/16	
1-1/2	X 1-1/2	-1-1/2	-1-1/2	-1-1/2	-224	224N/E	-24	-108	-1-1/2	
1-5/8	X 1-5/8	-1-5/8	‡-1-5/8	-1-5/8	-226	226N/U	-26	-110	-1-5/8	
1-11/16	X 1-11/16	-1-11/16	-1-11/16	-1-11/16	-227	227N/U	-27	-111	-1-11/16	
1-3/4	X 1-3/4	-1-3/4	-1-3/4	-1-3/4	-228	228N/U	-28	-112	-1-3/4	
1-15/16	X 1-15/16	-1-15/16	-1-15/16	-1-15/16	-231	231N/U	-31	-115	-1-15/16	
2S	X 2S	—	-2, 210	-2S	—	2E32N/U	-32R	—	-2	
2	X 2	-2	-2, 211	-2	-232	232N/U	-32	-200	-2L	
2-3/16	X 2-3/16	-2-3/16	-2-3/16	-2-3/16	-235	235N	-35	-203	-2-3/16	
2-1/4	X 2-1/4	-2-1/4	-2-1/4, 212	-2-1/4	-236	236N	-36	-204	-2-1/4	
2-7/16	X 2-7/16	-2-7/16	-2-7/16	-2-7/16	-239	239N	-39	-207	-2-7/16	
2-15/16	X 2-15/16	—	-2-15/16	-2-15/16	-247	—	-47	-215	-2-15/16	

### Series FB230, FB260 Cast Iron; FB230HW, FB260HW Hub Alloy® 2-Hole Flange Blocks

SHAFT SIZE	HUB CITY	BOSTON	DODGE	FAFNIR	BROWNING	PTC	SEALMASTER	SKF	MCGILL	
	FB230① FB260② FB230HW①⑦ FB260HW②⑦	T①⑥ ST②	SC2② VSC2②⑦ SXR2①⑦ SXV2①⑦	LCJT① RCJT① RCJCT② SCJT② TCJT① VCJT①	MF2S② MF2E② VF2S②④ VF2E①④	FX3-U② FX3-Y① FX3-W①⑤	SFT② RFT②⑦ VFT③⑦	FYPJ-P③⑧ FYTJ-S②⑦ FYTJ-X①⑦ FYT-FM③	FC2-25③	
1/2	X 1/2	- 1/2	- 1/2, 203	- 1/2	-108/208	2B08N/U	-8	-8	- 1/2	① Relube – Eccentric Lock ② Relube – Setscrew Lock ③ Non-Relube – Eccentric Lock ④ VF2E and VF2S available in 100 and 200 Series ⑤ U or E Suffix on F3-W only ⑥ 3 thru 7 Prefix on T Series ⑦ Not all sizes available ⑧ 1-7/16 maximum shaft size ‡ Not dimensionally interchangeable
5/8	X 5/8	- 5/8	- 5/8, 203	- 5/8	-110/210	210N/U	-10	-10	- 5/8	
3/4	X 3/4	- 3/4	- 3/4	- 3/4	-112/212	212N/U	-12	-12	- 3/4	
7/8	X 7/8	- 7/8	- 7/8	- 7/8	-114/214	214N/U	-14	-14	- 7/8	
15/16	X 15/16	- 15/16	- 15/16	- 15/16	-115/215	215N/U	-15	-15	- 15/16	
1	X 1	-1	-1	-1	-116/216	216N/U	-16	-100	-1	
1-1/8	X 1-1/8	-1-1/8	-1-1/8	-1-1/8	-118/218	218N/E	-18	-102	-1-1/8	
1-3/16	X 1-3/16	-1-3/16	-1-3/16	-1-3/16	-119/219	219N/E	-19	-103	-1-3/16	
1-1/4S	X 1-1/4S	-1-1/4S	-1-1/4, 206	—	-120S/220S	2E20N/E	-20R	—	-1-1/4S	
1-1/4	X 1-1/4	-1-1/4	-1-1/4, 207	-1-1/4	-220	220N/E	-20	-104	-1-1/4	
1-5/16	X 1-5/16	-1-5/16	-1-5/16	-1-5/16	—	221N/E	-21	-105	-1-5/16	
1-3/8	X 1-3/8	-1-3/8	-1-3/8	-1-3/8	-122/222	222N/E	-22	-106	-1-3/8	
1-7/16	X 1-7/16	-1-7/16	-1-7/16	-1-7/16	-123/223	223N/E	-23	-107	-1-7/16	
1-1/2	X 1-1/2	—	-1-1/2	-1-1/2	-224	224N/E	-24	-108	-1-1/2	
1-5/8	X 1-5/8	—	‡-1-5/8	-1-5/8	-226	226N/U	-26	-110	-1-5/8	
1-11/16	X 1-11/16	—	-1-11/16	-1-11/16	-227	227N/U	-27	-111	-1-11/16	
1-3/4	X 1-3/4	—	-1-3/4	-1-3/4	-228	228N/U	-28	-112	-1-3/4	
1-15/16	X 1-15/16	—	-1-15/16	-1-15/16	-231	231N/U	-31	-115	-1-15/16	
2S	X 2S	—	-2	-2S	—	2E32N/U	-32R	—	-2	
2	X 2	—	—	-2	-232	232N	-32	-200	-2L	
2-3/16	X 2-3/16	—	—	-2-3/16	-235	235N	-35	-203	-2-3/16	
2-1/4	X 2-1/4	—	—	—	—	—	—	—	—	
2-7/16	X 2-7/16	-2-7/16	—	—	—	—	—	—	—	

INTERCHANGES ARE FOR COMPARISON PURPOSES; DIMENSIONS AND RATINGS MAY VARY.

DOWNLOAD AVAILABLE CAD MODELS AT: WWW.HUBCITYINC.COM

Certified prints are available upon request

# Hub City IndustrialLine™ Bearing Units

## Interchange Comparisons

### Series WSTU220, WSTU250 HUB-ALLOY® Wide Slot Take-Up Units

SHAFT SIZE	HUB CITY		DODGE	FAFNIR	BROWNING		PTC	SEALMASTER		SKF	
	WSTU220 <sup>①</sup>	WSTU250 <sup>②</sup>	SC <sup>②</sup> SXR <sup>①②</sup> SXV <sup>①②</sup>	RTU <sup>①</sup>	VTWE <sup>①</sup>	MTWS <sup>②</sup> VTWS <sup>②</sup>	TH3-U <sup>②</sup>	ST <sup>②</sup>	RT <sup>②</sup>	TB <sup>②</sup>	TBX <sup>②</sup>
3/4	X 3/4	X 3/4	- 3/4	- 3/4	-212	-212	212N	—	-12	-12	-12
7/8	X 7/8	X 7/8	-7/8	-7/8	-214	-214	214N	—	-14	-14	-14
15/16	X 15/16	X 15/16	-15/16	-15/16	-215	-215	215N	-15	-15	-15	-15
1	X 1	X 1	-1	-1	-216	-216	216N	-16	-16	-16	-100
1-1/8	X 1-1/8	X 1-1/8	-1-1/8	-1-1/8	-218	-218	218N	—	-18	-18	-102
1-3/16	X 1-3/16	X 1-3/16	-1-3/16	-1-3/16	-219	-219	219N	-19	-19	-19	-103
1-1/4S	X 1-1/4S	X 1-1/4S	-1-1/4, 206	—	—	—	2E20N	-20R	-20R	—	—
1-1/4	X 1-1/4	X 1-1/4	-1-1/4, 207	-1-1/4	-220	-220	220N	-20	-20	-104	-104
1-5/16	X 1-5/16	X 1-5/16	-1-5/16	-1-5/16	—	—	221N	—	—	-105	-105
1-3/8	X 1-3/8	X 1-3/8	-1-3/8	-1-3/8	-222	-222	222N	—	-22	-106	-106
1-7/16	X 1-7/16	X 1-7/16	-1-7/16	-1-7/16	-223	-223	223N	-23	-23	-107	-107
1-1/2	X 1-1/2	X 1-1/2	-1-1/2	-1-1/2	-224	-224	224N	-24	-24	-108	-108
1-5/8	X 1-5/8	X 1-5/8	-1-5/8	-1-5/8	-226	-226	226N	—	-26	-110	-110
1-11/16	X 1-11/16	X 1-11/16	-1-11/16	-1-11/16	-227	-227	227N	-27	-27	-111	-111
1-3/4	X 1-3/4	X 1-3/4	-1-3/4	-13/4	-228	-228	228N	-28	-28	-112	-112
1-15/16	X 1-15/16	X 1-15/16	-1-15/16	-1-15/16	-231	-231	231N	-31	-31	-115	-115
2S	—	X 2S	-2, 210	—	—	—	2E32N	-32R	-32R	—	—
2	X 2	X 2	-2, 211	-2	-232	-232	232N	-32	-32	-200	-200
2-3/16	X 2-3/16	X 2-3/16	-2-3/16	-2-3/16	-235	-235	235N	-35	-35	-203	-203
2-1/4	X 2-1/4	X 2-1/4	-2-1/4, 212	-2-1/4	—	—	236N	-36	-36	-204	-204
2-7/16	X 2-7/16	X 2-7/16	-2-7/16	-2-7/16	-239	-239	239N	-39	-39	-207	-207

① Relube – Eccentric Lock    ② Relube – Setscrew Lock

IndustrialLine™ Bearings



### Series PB350 Cast Iron, PB350H HUB-ALLOY® Pillow Blocks

SHAFT SIZE	HUB CITY	BOSTON	DODGE	FAFNIR	BROWNING	SEALMASTER	SKF	MCGILL
	PB350 <sup>①</sup> PB350H <sup>①</sup>	MB <sup>①</sup>	SCM <sup>①</sup>	RAKH <sup>②</sup> LAKH <sup>②③</sup>	MPS <sup>①</sup> VPS <sup>①</sup>	MP <sup>①</sup> MRP <sup>①③</sup>	SYM-TM <sup>①</sup>	C-35 <sup>①</sup>
1	X 1	—	-1	‡-1	‡-316	‡-16	—	-1
1-3/16	X 1-3/16	—	-1-3/16	-1-3/16	-319	-19	—	-1-3/16
1-7/16	X 1-7/16	-1-7/16	-1-7/16	-1-7/16	-323	-23	-1-7/16	-1-7/16
1-1/2	X 1-1/2	-1-1/2	‡-1-1/2	-1-1/2	-324	-24	-1-1/2	-1-1/2
1-11/16	X 1-11/16	-1-11/16	‡-1-11/16	-1-11/16	-327	-27	-1-11/16	‡-1-11/16
1-3/4	X 1-3/4	-1-3/4	‡-1-3/4	-1-3/4	-328	-28	-1-3/4	-1-3/4
1-15/16	X 1-15/16	-1-15/16	-1-15/16	-1-15/16	-331	-31	-1-15/16	-1-15/16
2	X 2	-2	-2	‡-2	-332	-32	-2	-2
2-3/16	X 2-3/16	-2-3/16	-2-3/16	-2-3/16	-335	-35	-2-3/16	-2-3/16
2-1/4	X 2-1/4	-2-1/4	-2-1/4	‡-2-1/4	-336	-36	-2-1/4	-2-1/4
2-7/16	X 2-7/16	-2-7/16	-2-7/16	-2-7/16	-339	-39	-2-7/16	-2-7/16
2-1/2	X 2-1/2	-2-1/2	-2-1/2	—	-340	-40	-2-1/2	-2-1/2
2-11/16	X 2-11/16	-2-11/16	-2-11/16	-2-11/16	-343	-43	-2-11/16	-2-11/16
2-15/16	X 2-15/16	-2-15/16	-2-15/16	-2-15/16	-347	-47	-2-15/16	-2-15/16
3	X 3	-3	-3	—	-348	-48	-3	-3
3-7/16	X 3-7/16	-3-7/16	-3-7/16	—	-355	-55	-3-7/16	-3-7/16
3-1/2	X 3-1/2	-3-1/2	-3-1/2	—	-356	-56	-3-1/2	-3-1/2

① Relube – Setscrew Lock    ② Relube – Eccentric Lock    ③ Not all sizes available

‡ Not dimensionally interchangeable

**INTERCHANGES ARE FOR COMPARISON PURPOSES, DIMENSIONS AND RATINGS MAY VARY.**

DOWNLOAD AVAILABLE CAD MODELS AT: [WWW.HUBCITYINC.COM](http://WWW.HUBCITYINC.COM)

**Certified prints are available upon request**

EMAIL: [hubsales@regalbeloit.com](mailto:hubsales@regalbeloit.com) • [www.hubcityinc.com](http://www.hubcityinc.com)



# Hub City IndustrialLine™ Bearing Units

## Interchange Comparisons

### Series FB350 Cast Iron; FB350H HUB-ALLOY® Four-Hole Flange Blocks

SHAFT SIZE	HUB CITY	BOSTON	DODGE	FAFNIR	BROWNING	SEALMASTER	SKF	MCGILL
	FB350 ① FB350H ①	MBF ①	SCM-4 ①	RCJO ②	MF4S ① VF4S ①	MSF ① MRF ①	FLY-TM ①	FC4-35 ①
1	X 1	—	-1	—	-316	-16	—	-1
1-3/16	X 1-3/16	—	-1-3/16	-1-3/16	-319	-19	—	-1-3/16
1-7/16	X 1-7/16	-1-7/16	-1-7/16	-1-7/16	-323	-23	-1-7/16	-1-7/16
1-1/2	X 1-1/2	-1-1/2	-1-1/2	-1-1/2	-324	-24	-1-1/2	-1-1/2
1-11/16	X 1-11/16	-1-11/16	-1-11/16	-1-11/16	-327	-27	-1-11/16	-1-11/16
1-3/4	X 1-3/4	-1-3/4	-1-3/4	—	-328	-28	-1-3/4	-1-3/4
1-15/16	X 1-15/16	-1-15/16	-1-15/16	-1-15/16	-331	-31	-1-15/16	-1-15/16
2	X 2	-2	-2	—	-332	-32	-2	-2
2-3/16	X 2-3/16	-2-3/16	-2-3/16	-2-3/16	-335	-35	-2-3/16	-2-3/16
2-1/4	X 2-1/4	-2-1/4	-2-1/4	—	-336	-36	-2-1/4	-2-1/4
2-7/16	X 2-7/16	-2-7/16	-2-7/16	-2-7/16	-339	-39	-2-7/16	-2-7/16
2-1/2	X 2-1/2	-2-1/2	-2-1/2	—	-340	-40	-2-1/2	-2-1/2
2-11/16	X 2-11/16	-2-11/16	-2-11/16	-2-11/16	-343	-43	-2-11/16	-2-11/16
2-15/16	X 2-15/16	-2-15/16	-2-15/16	-2-15/16	-347	-47	-2-15/16	-2-15/16
3	X 3	-3	-3	—	-348	-48	-3	-3
3-7/16	X 3-7/16	-3-7/16	-3-7/16	-3-7/16	-355	-55	-3-7/16	-3-7/16
3-1/2	X 3-1/2	-3-1/2	-3-1/2	—	-356	-56	-3-1/2	-3-1/2

① RELUBE – SETSCREW LOCK    ② RELUBE – ECCENTRIC LOCK

### Series FC350 Cast Iron Four-Hole Flange Cartridges

SHAFT SIZE	HUB CITY	BOSTON	DODGE	FAFNIR	BROWNING	SEALMASTER	MCGILL
	FC350 ①	MBP ①	SCM ①	RFC ②	MFCS ① VFCS ①	MFC ① MRFC ①	PFC4-35 ①
1-1/4	X 1-1/4	—	—	-1-1/4S	-320	-20	-1-1/4
1-7/16	X 1-7/16	-1-7/16	-1-7/16	-1-7/16	-323	-23	-1-7/16
1-1/2	X 1-1/2	-1-1/2	-1-1/2	-1-1/2	-234	-24	-1-1/2
1-11/16	X 1-11/16	-1-11/16	-1-11/16	-1-11/16	-327	-27	-1-11/16
1-3/4	X 1-3/4	-1-3/4	-1-3/4	-1-3/4	-328	-28	-1-3/4
1-15/16	X 15/16	-1-15/16	-1-15/16	-1-15/16	-331	-31	-1-15/16
2	X 2	-2	-2	-2	-332	-32	-2
2-3/16	X 2-3/16	-2-3/16	-2-3/16	-2-3/16	-335	-35	-2-3/16
2-1/4	X 2-1/4	-2-1/4	-2-1/4	—	-336	-36	-2-1/4
2-7/16	X 2-7/16	-2-7/16	-2-7/16	—	-339	-39	-2-7/16
2-1/2	X 2-1/2	-2-1/2	-2-1/2	—	-340	-40	-2-1/2
2-11/16	X 2-11/16	-2-11/16	—	—	-343	-43	-2-11/16
2-15/16	X 2-15/16	-2-15/16	-2-15/16	—	-347	-47	-2-15/16
3	X 3	-3	-3	—	-348	-48	-3
3-7/16	X 3-7/16	-3-7/16	-3-7/16	—	-355	-55	-3-7/16
3-1/2	X 3-1/2	-3-1/2	-3-1/2	—	-356	-56	-3-1/2

① RELUBE – SETSCREW LOCK    ② RELUBE – ECCENTRIC LOCK

**INTERCHANGES ARE FOR COMPARISON PURPOSES, DIMENSIONS AND RATINGS MAY VARY.**

DOWNLOAD AVAILABLE CAD MODELS AT: [WWW.HUBCITYINC.COM](http://WWW.HUBCITYINC.COM)

**Certified prints are available upon request**

# Hub City DuraLine® Bearing Units

DuraLine® Features.....	N-2
Load Ratings.....	N-3
Pillow Blocks.....	N-4 to N-10
Flange Blocks.....	N-11 to N-16
Flange Cartridge Bearings.....	N-17
Flange Bracket Bearings.....	N-17
Take Up Units.....	N-18
200 Series Bearing Inserts.....	N-23
Medium Duty Bearings.....	N-25
Competitor Product Interchange.....	N-28

**Over 325 NEW items in this section!**

# Hub City DuraLine® Bearing Units

## Features

- Reliable Performance
- Economical Durability
- Bore Sizes Up to 3-1/2"
- Cast Iron Pillow Blocks
- Cast Iron and Ductile Iron Flange Blocks
- Cast Iron Flange Brackets
- Normal Duty and Medium Duty Sizes
- Take Up Units
- Setscrew Lock and Eccentric Lock Inserts
- Wide and Narrow Inner Race Inserts
- Self-Aligning Replacement Bearings
- Pre-Lubricated with Lithium Grease
- Steel Retainers
- Anti-rotation Pins
- Nitrile Rubber Seals with Steel Trash Guards
- Precision Bored Housings



For Additional Mounted Bearing  
Choices  
See IndustriaLine  
Section M

DOWNLOAD AVAILABLE CAD MODELS AT: [WWW.HUBCITYINC.COM](http://WWW.HUBCITYINC.COM)  
Certified prints are available upon request

CALL: (605) 225-0360 • FAX: (605) 225-0567



# Hub City DuraLine® Bearing Units

## Load Ratings

BEARING RADIAL LOAD CAPACITY (POUNDS) FOR 500 HOURS L-10 LIFE (2500 HOURS AVERAGE LIFE) AND STEADY LOAD CONDITIONS											
SHAFT SIZE (INCHES)		BASIC DYNAMIC RATING, C* (POUNDS)	BASIC STATIC RATING, Co** (POUNDS)	BEARING SPEED (RPM)							
100, 200 SERIES	300 SERIES			100	500	1,000	1,500	2,000	2,500	3,000	3,500
1/2 to 5/8		2150	1070	1,490	870	690	600	550	510	480	460
3/4		2880	1490	2,000	1,170	930	810	740	680	640	610
7/8 to 1		3150	1770	2,180	1,280	1010	890	800	750	700	670
1-1/8 to 1-1/4S	1	4380	2520	3,040	1,780	1410	1230	1120	1040	980	930
1-1/4 to 1-7/16		5780	3420	4,010	2,340	1860	1620	1480	1370	1290	
1-1/2	1-7/16	6650	4090	4,610	2,700	2140	1870	1700	1580	1480	
1-5/8 to 1-3/4	1-1/2	7160	4680	4,960	2,900	2300	2010	1830	1700		
1-7/8 to 2S	1-5/8 to 1-3/4	7890	5220	5,470	3,200	2540	2220	2020	1870		
2 to 2-3/16	1-15/16 to 2	9790	6560	6,790	3,970	3150	2750	2500			
2-1/4 to 2-7/16	2-3/16	10750	7370	7,450	4,360	3460	3020	2750			
	2-7/16 to 2-1/2	13670	10120	9,480	5,540	4400	3840				
2-15/16	2-11/16	14840	11130	10,290	6,020	4780	4170				
	2-15/16 to 3	16070	12180	11,140	6,520	5170	4520				
	3-7/16 to 3-1/2	21560	16070	14,950	8,740	6940	6060				

TO MODIFY THE ABOVE RATINGS FOR OTHER L-10 LIFE REQUIREMENTS OR FOR SHOCK LOADS MULTIPLY THE ABOVE RATINGS BY THE FACTOR FROM THIS CHART														
MODIFICATION FACTORS FOR L-10 SERVICE LIFE AND LOAD CONDITIONS:														
LOAD CONDITIONS	L-10 LIFE (HOURS)													
	500	700	1,000	1,500	2,000	3,000	4,000	5,000	7,000	10,000	15,000	20,000	30,000	50,000
Steady Load	1.00	.894	.794	.694	.630	.550	.500	.464	.415	.368	.322	.292	.255	.215
Light Shock	.90	.804	.715	.624	.567	.495	.450	.418	.373	.331	.290	.263	.230	.194
Moderate Shock	.70	.626	.556	.485	.441	.385	.350	.325	.290	.258	.225	.205	.179	.151

\* Radial load for an L-10 rating life of 1,000,000 revolutions.  
 \*\* Radial load rating for stationary or very low speed operation.

Maximum Recommended Speeds:		
100, 200 Series	300 Series	
1/2 to 1-1/4S	1	3,500 RPM
1-1/4 to 1-1/2	1-3/16 to 1-7/16	3,000 RPM
1-5/8 to 2S	1-1/2 to 1-3/4	2,500 RPM
2 to 2-7/16	1-15/16 to 2-1/4	2,000 RPM
	2-7/16 to 2-11/16	1,700 RPM
	2-15/16 to 3-1/2	1,500 RPM

For ultimate life, snug fit or light press fit on shaft should be used.  
 Recommended operating temperature range: -25 to +225 deg F.  
 For applications not covered in the rating tables, consult the factory.  
 Ratings are based on ISO 281.  
 Ratings are based on snug or light press fit on shaft. Multiply ratings by 0.8 for loose shaft fits.

FOR LUBRICATION AND MOUNTING INSTRUCTIONS REFER TO SECTION S.

DOWNLOAD AVAILABLE CAD MODELS AT: [WWW.HUBCITYINC.COM](http://WWW.HUBCITYINC.COM)  
**Certified prints are available upon request**

EMAIL: [hubsales@regalbeloit.com](mailto:hubsales@regalbeloit.com) • [www.hubcityinc.com](http://www.hubcityinc.com)



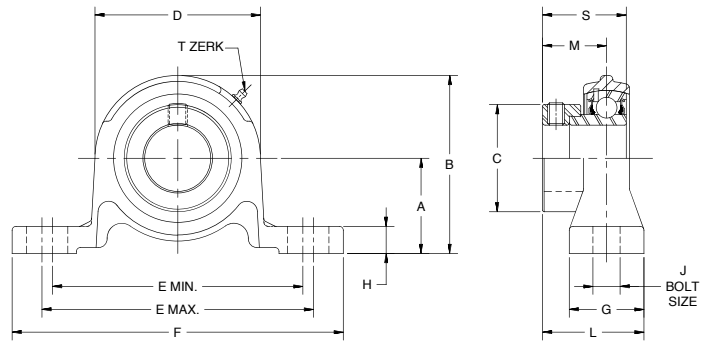
# Hub City DuraLine® Bearing Units

## Ductile Iron Pillow Blocks

### Series PB120UR

#### Features

- Relube type. Prelubricated at factory
- Eccentric locking collar
- Self-aligning replaceable bearing
- Nitrile rubber seals with steel trash guard
- Precision bored high strength Ductile Iron housing



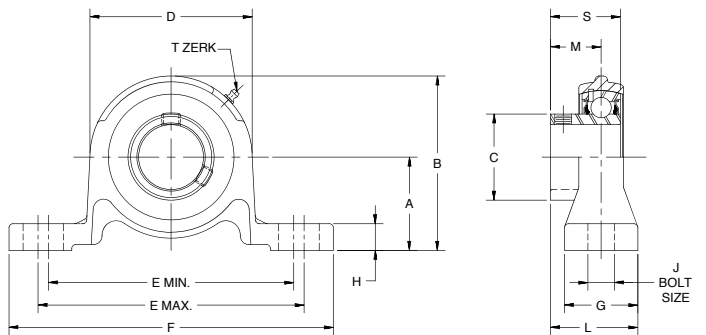
SHAFT SIZE	DIMENSIONS													WT. LBS.
	A	B	C	D	E		F	G	H	J	L	M	S	
					MIN.	MAX.								
1/2, 5/8	1.187	2.160	1.102	2.130	3.220	3.630	4.500	0.980	0.280	0.430	1.360	0.889	1.126	0.6
3/4	1.312	2.440	1.299	2.400	3.590	4.030	4.920	1.060	0.310	0.430	1.460	0.945	1.220	0.8
7/8, 1	1.437	2.720	1.476	2.560	3.750	4.120	5.120	1.140	0.350	0.410	1.500	0.925	1.220	1.0
1-1/8, 1-3/16, 1-1/4s	1.687	3.190	1.732	3.000	4.470	4.970	6.140	1.300	0.390	0.550	1.700	1.091	1.406	1.4
1-1/4, 1-3/8, 1-7/16	1.875	3.580	2.165	3.430	4.750	5.250	6.500	1.380	0.390	0.550	1.850	1.197	1.531	1.9

Part Numbers are specified by "PB120" and Bore Size; Example: PB120UR x 1-1/8.  
 For Load Ratings, see page N-3.  
 For replacement inserts use B220R Bearing Inserts, see page N-22.  
 T-Zerk: 1/4-28 Taper

### Series PB150UR

#### Features

- Relube type. Prelubricated at factory
- Setscrew locking
- Self-aligning replaceable bearing
- Nitrile rubber seals with steel trash guard
- Precision bored high strength Ductile Iron housing



SHAFT SIZE	DIMENSIONS													WT. LBS.
	A	B	C	D	E		F	G	H	J	L	M	S	
					MIN.	MAX.								
1/2, 5/8	1.187	2.160	0.921	1.940	3.220	3.630	4.500	0.980	0.280	0.430	1.100	0.629	0.866	0.6
3/4	1.312	2.440	1.142	2.400	3.590	4.030	4.920	1.060	0.310	0.430	1.224	0.709	0.984	0.8
7/8, 1	1.437	2.720	1.339	2.560	3.750	4.120	5.120	1.140	0.350	0.410	1.343	0.768	1.063	1.0
1-1/8, 1-3/16, 1-1/4s	1.687	3.160	1.587	3.000	4.470	4.970	6.140	1.300	0.390	0.550	1.475	0.866	1.181	1.4
1-1/4, 1-3/8, 1-7/16	1.875	3.560	1.889	3.430	4.750	5.250	6.500	1.380	0.390	0.550	1.578	0.925	1.259	1.9

Part Numbers are specified by "PB150" and Bore Size; Example: PB150UR x 1-1/8.  
 For Load Ratings, see page N-3.  
 For replacement inserts use B250R Bearing Inserts, see page N-22.  
 T-Zerk: 1/4-28 Taper

DIMENSIONS SHOWN ARE FOR REFERENCE ONLY.

DOWNLOAD AVAILABLE CAD MODELS AT: [WWW.HUBCITYINC.COM](http://WWW.HUBCITYINC.COM)

**Certified prints are available upon request**

CALL: (605) 225-0360 • FAX: (605) 225-0567

# Hub City DuraLine® Bearing Units Pillow Blocks

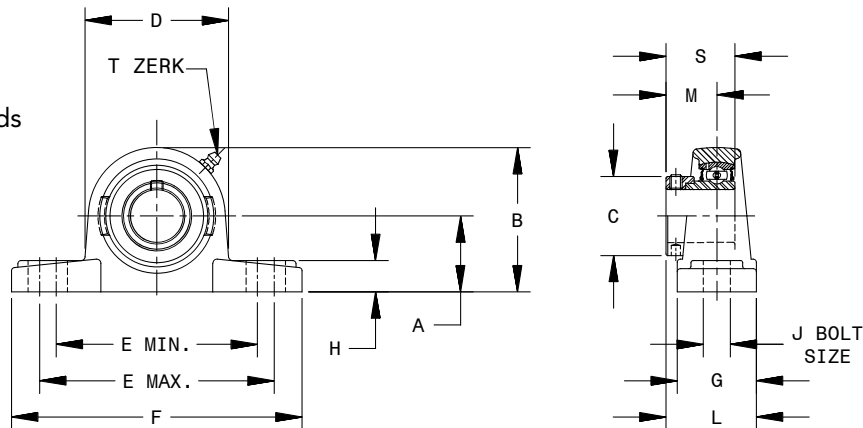
## Series PB220UR, PB221UR

### Features

- Self-aligning replaceable bearing
- Pre-lubricated with lithium grease
- Steel retainers
- Anti-rotation pins
- Nitrile rubber seals with steel trash guards
- Precision bored housings



### 200 SERIES 2 BOLT PILLOW BLOCK – ECCENTRIC LOCK



#### 20 SERIES – 2 BOLT PILLOW BLOCKS – CAST IRON – ECCENTRIC LOCK – RELUBE TYPE

##### PB220UR (FOR LOW SHAFT HEIGHTS)

SHAFT SIZE	A	B	C	D	E MIN.	E MAX.	F	G	H	J	L	M	S	WT. LBS.
1/2, 5/8	1.063	2.130	1.102	2.240	3.310	3.700	4.760	1.380	0.520	0.470	1.640	0.890	1.126	1.1
3/4	1.252	2.520	1.299	2.640	3.660	4.060	5.240	1.610	0.560	0.470	1.690	0.945	1.220	1.8
7/8, 1	1.311	2.690	1.476	2.800	3.940	4.330	5.510	1.770	0.630	0.470	1.670	0.925	1.220	2.3
1-1/8, 1-3/16, 1-1/4s	1.563	3.150	1.732	3.270	4.610	4.920	6.300	1.880	0.670	0.590	2.040	1.091	1.406	2.8
1-1/4, 1-3/8, 1-7/16	1.811	3.620	2.165	3.860	4.840	5.160	6.570	1.880	0.750	0.590	2.140	1.197	1.532	3.7
1-1/2	1.938	3.940	2.283	4.170	5.350	5.670	7.130	2.130	0.750	0.590	2.430	1.366	1.720	4.2
1-5/8, 1-11/16, 1-3/4	2.063	4.190	2.480	4.530	5.590	5.910	7.480	2.130	0.830	0.590	2.410	1.346	1.720	4.8
1-7/8, 1-15/16, 2S	2.189	4.450	2.716	4.800	6.020	6.500	8.000	2.250	0.870	0.780	2.510	1.326	1.720	5.9
2, 2-3/16	2.437	4.920	2.992	5.310	6.890	7.360	9.130	2.360	0.980	0.780	2.670	1.492	1.906	8.3
2-1/4, 2-7/16	2.688	5.440	3.311	5.830	7.240	7.720	9.500	2.530	1.140	0.780	2.880	1.504	1.937	10.9

##### PB221UR (FOR HIGH SHAFT HEIGHTS)

SHAFT SIZE	A	B	C	D	E MIN.	E MAX.	F	G	H	J	L	M	S	WT. LBS.
1/2, 5/8	1.188	2.440	1.102	2.360	3.440	4.060	5.000	1.500	0.560	0.530	1.640	0.890	1.126	1.2
3/4	1.311	2.560	1.299	2.560	3.440	4.060	5.000	1.500	0.560	0.530	1.690	0.945	1.220	1.9
7/8, 1	1.437	2.800	1.476	2.870	3.810	4.440	5.510	1.500	0.590	0.530	1.670	0.925	1.220	2.4
1-1/8, 1-3/16, 1-1/4s	1.688	3.270	1.732	3.390	4.530	5.000	6.500	1.880	0.670	0.670	2.040	1.091	1.406	2.9
1-1/4, 1-3/8, 1-7/16	1.875	3.660	2.165	3.740	4.750	5.250	6.570	1.880	0.720	0.670	2.140	1.197	1.532	4.1
1-1/2	1.938	3.900	2.283	4.130	5.160	5.630	7.250	2.130	0.720	0.670	2.430	1.366	1.720	4.3
1-5/8, 1-11/16, 1-3/4	2.125	4.190	2.480	4.410	5.500	6.000	7.500	2.130	0.780	0.670	2.410	1.346	1.720	4.9
1-7/8, 1-15/16, 2S	2.250	4.500	2.716	4.690	6.000	6.530	8.120	2.360	0.810	0.780	2.510	1.326	1.720	6.1
2, 2-3/16	2.500	4.960	2.992	5.080	6.440	7.000	8.620	2.360	0.910	0.780	2.670	1.492	1.906	9.0
2-1/4, 2-7/16	2.750	5.440	3.311	5.670	6.970	7.500	9.500	2.750	0.980	0.780	2.880	1.504	1.937	11.1

For Load Ratings, See Page N-3  
T-Zerk: 1/4-28 Taper

For Replacement Inserts, Use B220R

To order, specify type and bore size. Example: PB220UR x 1-7/16

DIMENSIONS SHOWN ARE FOR REFERENCE ONLY.

DOWNLOAD AVAILABLE CAD MODELS AT: [WWW.HUBCITYINC.COM](http://WWW.HUBCITYINC.COM)

**Certified prints are available upon request**

EMAIL: [hubsales@regalbeloit.com](mailto:hubsales@regalbeloit.com) • [www.hubcityinc.com](http://www.hubcityinc.com)



# Hub City DuraLine® Bearing Units

## Pillow Blocks - Wide Inner Race

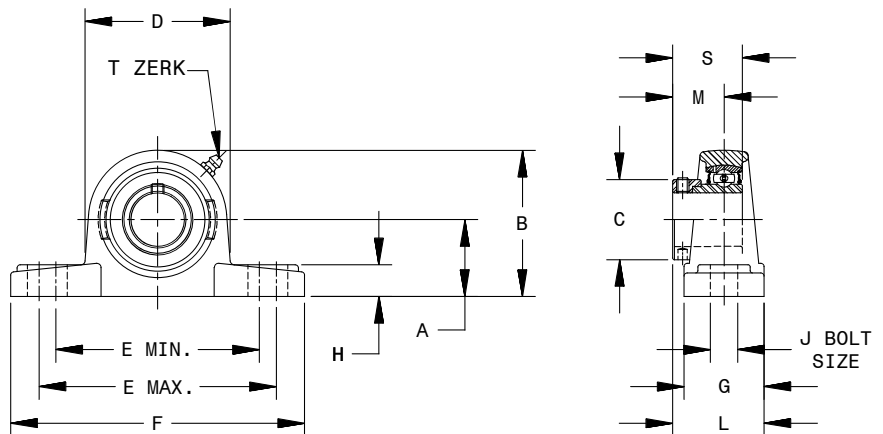
### Series PB220DRW, PB221DRW

#### Features

- Ductile iron housings
- Higher strength and impact resistance for high shock loads
- Suitable to replace gray iron housed bearings
- Self-aligning replaceable bearing
- Pre-lubricated with lithium grease
- Steel retainers
- Anti-rotation pins
- Nitrile rubber seals with steel flingers
- Precision bored housings



200 SERIES 2 BOLT PILLOW BLOCK  
ECCENTRIC LOCK – WIDE INNER RING



20 SERIES - 2 BOLT PILLOW BLOCKS - DUCTILE IRON - ECCENTRIC LOCK - RELUBE TYPE - WIDE INNER RING

PB220DRW (FOR LOW SHAFT HEIGHTS)

SHAFT SIZE	A	B	C	D	E MIN.	E MAX.	F	G	H	J	L	M	S	WT. LBS.
3/4	1.250	2.520	1.299	2.640	3.680	4.030	5.250	1.610	0.560	0.472	1.850	1.049	1.720	1.9
7/8, 1	1.312	2.680	1.476	2.800	3.960	4.310	5.500	1.770	0.630	0.472	1.950	1.061	1.748	2.4
1-1/8, 1-3/16, 1-1/4s	1.562	3.150	1.732	3.270	4.600	4.930	6.310	1.890	0.670	0.590	2.130	1.187	1.906	3.0
1-1/4, 1-3/8, 1-7/16	1.812	3.620	2.165	3.860	4.830	5.170	6.560	1.890	0.750	0.590	2.220	1.274	2.016	3.9
1-1/2	1.937	3.860	2.283	4.170	5.350	5.680	7.103	2.130	0.750	0.590	2.440	1.376	2.220	4.5
1-5/8, 1-11/16, 1-3/4	2.062	4.170	2.480	4.530	5.580	5.920	7.500	2.130	0.830	0.590	2.440	1.376	2.220	5.1
1-7/8, 1-15/16, 2s	2.187	4.490	2.717	4.800	6.020	6.500	8.000	2.240	0.870	0.787	2.620	1.500	2.469	6.4
2, 2-3/16	2.437	4.960	2.992	5.310	6.890	7.300	9.130	2.360	0.980	0.787	2.900	1.717	2.811	8.8
2-1/4, 2-7/16	2.687	5.430	3.311	5.830	7.240	7.720	9.500	2.520	1.140	0.787	3.100	1.844	3.063	11.4

PB221DRW (FOR HIGH SHAFT HEIGHTS)

SHAFT SIZE	A	B	C	D	E MIN.	E MAX.	F	G	H	J	L	M	S	WT. LBS.
3/4	1.312	2.560	1.299	2.640	3.500	4.090	5.000	1.500	0.550	0.512	1.800	1.049	1.720	2.0
7/8, 1	1.437	2.800	1.476	2.800	3.900	4.370	5.500	1.500	0.590	0.512	1.810	1.061	1.748	2.5
1-1/8, 1-3/16, 1-1/4s	1.687	3.270	1.732	3.270	4.560	4.970	6.500	1.890	0.670	0.670	2.130	1.187	1.906	3.1
1-1/4, 1-3/8, 1-7/16	1.875	3.660	2.165	3.860	4.790	5.210	6.560	1.890	0.710	0.670	2.220	1.274	2.016	4.3
1-1/2	1.937	3.860	2.283	4.170	5.190	5.600	7.250	2.130	0.710	0.670	2.250	1.376	2.220	4.6
1-5/8, 1-11/16, 1-3/4	2.125	4.170	2.480	4.530	5.540	5.960	7.500	2.130	0.790	0.670	2.440	1.376	2.220	5.2
1-7/8, 1-15/16, 2s	2.250	4.490	2.717	4.800	6.040	6.520	8.120	2.360	0.830	0.787	2.460	1.500	2.469	6.6
2, 2-3/16	2.500	4.960	2.992	5.310	6.480	7.010	8.620	2.360	0.910	0.787	2.500	1.717	2.811	9.5
2-1/4, 2-7/16	2.750	5.430	3.311	5.830	6.990	7.500	9.500	2.750	0.980	0.787	2.940	1.844	3.063	11.5

For Load Ratings, See Page N-3  
T-Zerk: 1/4-28 Taper

For Replacement Inserts, Use B220RW

Dimensions shown are for reference only.  
To order, specify type and bore size. Example: PB220DRW x 1-7/16

DOWNLOAD AVAILABLE CAD MODELS AT: [WWW.HUBCITYINC.COM](http://WWW.HUBCITYINC.COM)

**Certified prints are available upon request**

CALL: (605) 225-0360 • FAX: (605) 225-0567

# Hub City DuraLine® Bearing Units Pillow Blocks

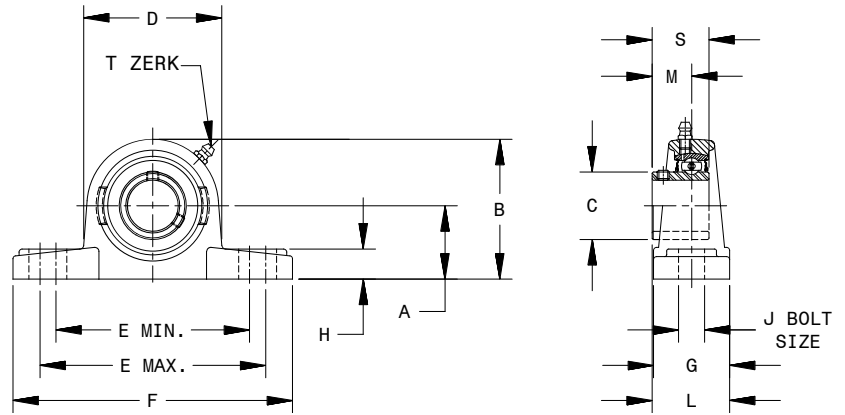
## Series PB250UR, PB251UR

### Features

- Self-aligning replaceable bearing
- Pre-lubricated with lithium grease
- Steel retainers
- Anti-rotation pins
- Nitrile rubber seals with steel trash guards
- Precision bored housings



200 SERIES 2 BOLT PILLOW BLOCK – SETSCREW LOCK



20 SERIES – 2 BOLT PILLOW BLOCKS – CAST IRON – SETSCREW LOCK – RELUBE TYPE

PB250UR (FOR LOW SHAFT HEIGHTS)

SHAFT SIZE	A	B	C	D	E MIN.	E MAX.	F	G	H	J	L	M	S	WT. LBS.
1/2, 5/8	1.063	2.130	0.921	2.240	3.310	3.700	4.760	1.380	0.520	0.470	1.320	0.630	0.867	1.2
3/4	1.252	2.520	1.141	2.640	3.660	4.060	5.240	1.610	0.560	0.470	1.520	0.710	0.984	1.8
7/8, 1	1.311	2.690	1.339	2.800	3.940	4.330	5.510	1.770	0.630	0.470	1.650	0.768	1.063	2.3
1-1/8, 1-3/16, 1-1/4s	1.563	3.150	1.587	3.270	4.610	4.920	6.300	1.880	0.670	0.590	1.810	0.866	1.181	2.8
1-1/4, 1-3/8, 1-7/16	1.811	3.620	1.890	3.860	4.840	5.160	6.570	1.880	0.750	0.590	1.870	0.925	1.260	3.6
1-1/2	1.938	3.940	2.087	4.170	5.350	5.670	7.130	2.130	0.750	0.590	2.050	0.984	1.339	4.5
1-5/8, 1-11/16, 1-3/4	2.063	4.190	2.252	4.530	5.590	5.910	7.480	2.130	0.830	0.590	2.285	1.220	1.622	5.1
1-7/8, 1-15/16, 2S	2.189	4.450	2.433	4.800	6.020	6.500	8.000	2.250	0.870	0.780	2.440	1.283	1.713	6.0
2, 2-3/16	2.437	4.920	2.717	5.310	6.890	7.360	9.130	2.360	0.980	0.780	2.550	1.319	1.783	8.2
2-1/4, 2-7/16	2.688	5.440	2.949	5.830	7.240	7.720	9.500	2.530	1.140	0.780	2.940	1.528	2.114	10.9

PB251UR (FOR HIGH SHAFT HEIGHTS)

SHAFT SIZE	A	B	C	D	E MIN.	E MAX.	F	G	H	J	L	M	S	WT. LBS.
1/2, 5/8	1.188	2.440	0.921	2.360	3.440	4.060	5.000	1.500	0.560	0.530	1.380	0.630	0.867	1.3
3/4	1.311	2.560	1.141	2.560	3.440	4.060	5.000	1.500	0.560	0.530	1.470	0.710	0.984	1.9
7/8, 1	1.437	2.800	1.339	2.870	3.810	4.440	5.510	1.500	0.590	0.530	1.520	0.768	1.063	2.4
1-1/8, 1-3/16, 1-1/4s	1.688	3.270	1.587	3.390	4.530	5.000	6.500	1.880	0.670	0.670	1.810	0.866	1.181	2.9
1-1/4, 1-3/8, 1-7/16	1.875	3.660	1.890	3.740	4.750	5.250	6.570	1.880	0.720	0.670	1.870	0.925	1.260	4.0
1-1/2	1.938	3.897	2.087	4.130	5.160	5.630	7.250	2.130	0.720	0.670	2.000	0.984	1.339	4.6
1-5/8, 1-11/16, 1-3/4	2.125	4.190	2.252	4.410	5.500	6.000	7.500	2.130	0.780	0.670	2.280	1.220	1.622	5.2
1-7/8, 1-15/16, 2S	2.250	4.500	2.433	4.690	6.00	6.530	8.120	2.360	0.810	0.780	2.500	1.283	1.713	6.2
2, 2-3/16	2.500	4.960	2.717	5.080	6.440	7.000	8.620	2.360	0.910	0.780	2.550	1.319	1.783	8.4
2-1/4, 2-7/16	2.750	5.440	2.949	5.670	6.970	7.500	9.500	2.750	0.980	0.780	3.060	1.528	2.114	11.1

For Load Ratings, See Page N-3

T-Zerk: 1/4-28 Taper

For Replacement Inserts, Use B250R

Dimensions shown are for reference only.

To order, specify type and bore size. Example: PB250UR x 1-7/16

DOWNLOAD AVAILABLE CAD MODELS AT: [WWW.HUBCITYINC.COM](http://WWW.HUBCITYINC.COM)

**Certified prints are available upon request**

EMAIL: [hubsales@regalbeloit.com](mailto:hubsales@regalbeloit.com) • [www.hubcityinc.com](http://www.hubcityinc.com)



# Hub City DuraLine® Bearing Units

## Pillow Blocks - Wide Inner Race

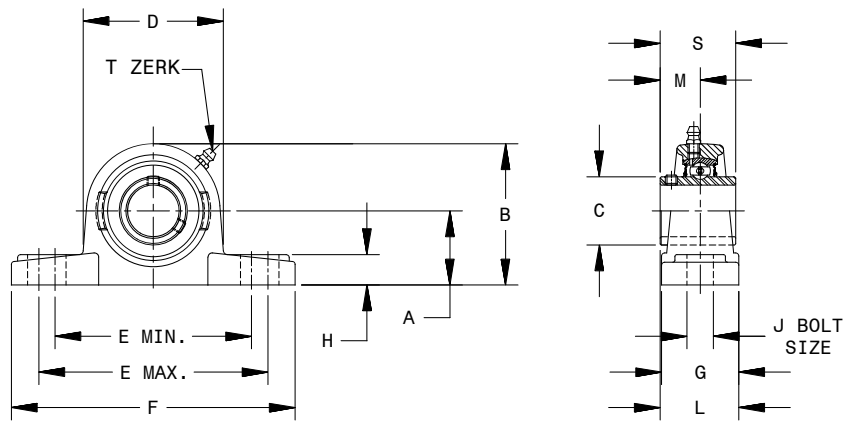
### Series PB250DRW, PB251DRW

#### Features

- Ductile iron housings
- Higher strength and impact resistance for high shock loads
- Suitable to replace gray iron housed bearings
- Self-aligning replaceable bearing
- Pre-lubricated with lithium grease
- Steel retainers and anti-rotation pins
- Nitrile rubber seals with steel flingers
- Precision bored housings



200 SERIES 2 BOLT PILLOW BLOCK  
SETScrew LOCK – WIDE INNER RING



200 SERIES - 2 BOLT PILLOW BLOCKS - DUCTILE IRON - SETSCREW LOCK - RELUBE TYPE - WIDE INNER RING

PB250DRW (FOR LOW SHAFT HEIGHTS)

SHAFT SIZE	A	B	C	D	E MIN	E MAX	F	G	H	J	L	M	S	WT. LBS
1/2, 5/8	1.062	2.130	1.130	2.250	3.330	3.680	4.750	1.380	0.510	0.472	1.410	0.720	1.220	1.2
3/4, 20mm	1.250	2.520	1.142	2.640	3.680	4.030	5.250	1.610	0.560	0.472	1.530	0.720	1.220	1.9
7/8, 1, 25mm	1.312	2.680	1.339	2.800	3.960	4.310	5.500	1.770	0.630	0.472	1.660	0.776	1.339	2.4
1-1/8, 1-3/16, 1-1/4s, 30mm	1.562	3.150	1.591	3.270	4.600	4.930	6.310	1.890	0.670	0.590	1.820	0.874	1.500	3.0
1-1/4, 1-3/8, 1-7/16, 35mm	1.812	3.620	1.866	3.860	4.830	5.170	6.560	1.890	0.750	0.590	1.950	1.000	1.689	3.8
1-1/2, 40mm	1.937	3.940	2.075	4.170	5.350	5.680	7.130	2.130	0.750	0.590	2.250	1.189	1.937	4.8
1-5/8, 1-11/16, 1-3/4, 45mm	2.062	4.170	2.248	4.530	5.580	5.920	7.500	2.130	0.830	0.590	2.250	1.189	1.937	5.4
1-7/8, 1-15/16, 2s, 50mm	2.187	4.450	2.465	4.800	6.020	6.500	8.00	2.240	0.870	0.787	2.400	1.283	2.031	6.5
2, 2-3/16, 55mm	2.437	4.920	2.776	5.310	6.890	7.360	9.130	2.360	0.980	0.787	2.500	1.315	2.189	8.7
2-1/4, 2-7/16, 60mm	2.687	5.430	3.059	5.830	7.240	7.720	9.500	2.520	1.140	0.787	2.820	1.563	2.563	11.4

PB251DRW (FOR HIGH SHAFT HEIGHTS)

SHAFT SIZE	A	B	C	D	E MIN	E MAX	F	G	H	J	L	M	S	WT. LBS
1/2, 5/8	1.187	2.440	1.130	2.250	3.510	3.970	5.000	1.500	0.550	0.512	1.470	0.720	1.220	1.3
3/4, 20mm	1.312	2.560	1.142	2.640	3.500	4.090	5.000	1.500	0.550	0.512	1.480	0.720	1.220	2.0
7/8, 1, 25mm	1.437	2.800	1.339	2.800	3.900	4.370	5.500	1.500	0.590	0.512	1.530	0.776	1.339	2.5
1-1/8, 1-3/16, 1-1/4s, 30mm	1.687	3.270	1.591	3.270	4.560	4.970	6.500	1.890	0.670	0.670	1.820	0.874	1.500	3.1
1-1/4, 1-3/8, 1-7/16, 35mm	1.875	3.660	1.866	3.860	4.790	5.210	6.560	1.890	0.710	0.670	1.950	1.000	1.689	4.2
1-1/2, 40mm	1.937	3.860	2.075	4.170	5.190	5.600	7.250	2.130	0.710	0.670	2.250	1.189	1.937	4.9
1-5/8, 1-11/16, 1-3/4, 45mm	2.125	4.170	2.248	4.530	5.540	5.960	7.500	2.130	0.790	0.670	2.250	1.189	1.937	5.5
1-7/8, 1-15/16, 2s, 50mm	2.250	4.490	2.465	4.800	6.040	6.520	8.120	2.360	0.830	0.787	2.460	1.283	2.031	6.7
2, 2-3/16, 55mm	2.500	4.960	2.776	5.310	6.480	7.010	8.620	2.360	0.910	0.787	2.500	1.315	2.189	8.9
2-1/4, 2-7/16, 60mm	2.750	5.430	3.059	5.830	6.990	7.500	9.500	2.750	0.980	0.787	2.940	1.563	2.563	11.6

For Load Ratings, See Page N-3  
T-Zerk: 1/4-28 Taper

For Replacement Inserts, Use B250RW

Dimensions shown are for reference only.  
To order, specify type and bore size. Example: PB250DRW x 1-7/16

DOWNLOAD AVAILABLE CAD MODELS AT: [WWW.HUBCITYINC.COM](http://WWW.HUBCITYINC.COM)

**Certified prints are available upon request**

CALL: (605) 225-0360 • FAX: (605) 225-0567

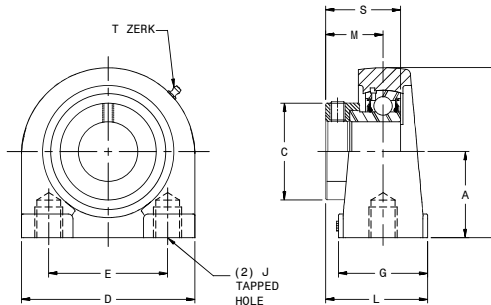
# Hub City DuraLine® Bearing Units Tapped Base

## Series TPB220UR

### 200 SERIES PILLOW BLOCK ECCENTRIC LOCK

#### Features

- Self-aligning replaceable bearing
- Pre-lubricated with lithium grease
- Steel retainers
- Anti-rotation pins
- Nitrile rubber seals with steel trash guards
- Precision bored housings



200 SERIES - TAPPED BASE PILLOW BLOCKS - CAST IRON - ECCENTRIC LOCK - RELUBE TYPE											
TPB220UR											
SHAFT SIZE	A	B	C	D	E	G	J - TAPPED HOLES	L	M	S	WT. LBS.
1/2, 5/8	1.312	2.560	1.125	2.870	2.000	1.500	3/8-16UNC X .50	1.640	0.921	1.469	0.8
3/4	1.312	2.560	1.299	2.870	2.000	1.500	3/8-16UNC X .50	1.695	1.049	1.720	1.0
7/8, 1	1.437	2.800	1.476	3.000	2.000	1.500	3/8-16UNC X .50	1.675	1.061	1.748	1.5
1-1/8, 1-3/16, 1-1/4s	1.687	3.380	1.732	4.000	3.000	1.500	7/16-14UNC X .63	1.841	1.187	1.906	2.2
1-1/4, 1-3/8, 1-7/16	1.875	3.740	2.165	4.250	3.250	1.890	1/2-13UNC X .78	2.142	1.274	2.016	2.8
1-1/2	1.937	3.940	2.283	4.610	3.500	1.890	1/2-13UNC X .78	2.311	1.376	2.220	3.8
1-5/8, 1-11/16, 1-3/4	2.125	4.250	2.480	5.000	3.750	2.000	1/2-13UNC X .78	2.351	1.376	2.220	5.2
1-7/8, 1-15/16, 2s	2.250	4.650	2.717	5.500	4.000	2.000	5/8-11UNC X .90	2.332	1.500	2.469	5.6
2, 2-3/16	2.250	4.650	2.992	5.500	4.000	2.000	5/8-11UNC X .98	2.497	1.717	2.811	5.7

For Load Ratings, See Page N-3  
T-Zerk: 1/4-28 Taper

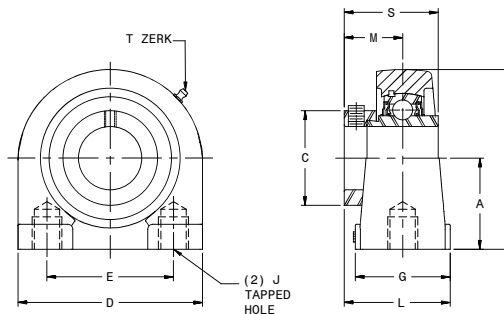
To order, specify type and bore size. Example: TPB220UR x 1-7/16  
For replacement inserts, use B220R

### Tapped Base - Wide Inner Race Series TPB220URW

#### 200 SERIES PILLOW BLOCK ECCENTRIC LOCK - WIDE INNER RING

#### Features

- Self-aligning replaceable bearing
- Pre-lubricated with lithium grease
- Steel retainers
- Anti-rotation pins
- Nitrile rubber seals with steel flingers
- Precision bored housings



200 SERIES - TAPPED BASE PILLOW BLOCKS - CAST IRON - ECCENTRIC LOCK - RELUBE TYPE - WIDE INNER RING											
TPB220URW											
SHAFT SIZE	A	B	C	D	E	G	J - TAPPED HOLES	L	M	S	WT. LBS.
1/2, 5/8	1.312	2.560	1.125	2.870	2.000	1.500	3/8-16UNC X .50	1.670	0.921	1.469	0.8
3/4	1.312	2.560	1.299	2.870	2.000	1.500	3/8-16UNC X .50	1.800	1.049	1.720	1.0
7/8, 1	1.437	2.800	1.476	3.000	2.000	1.500	3/8-16UNC X .50	1.810	1.061	1.7480	1.5
1-1/8, 1-3/16, 1-1/4s	1.687	3.380	1.732	4.000	3.000	1.500	7/16-14UNC X .63	1.940	1.187	1.906	2.2
1-1/4, 1-3/8, 1-7/16	1.875	3.740	2.165	4.250	3.250	1.890	1/2-13UNC X .78	2.220	1.274	2.016	2.8
1-1/2	1.937	3.940	2.283	4.610	3.500	1.890	1/2-13UNC X .78	2.320	1.376	2.220	3.8
1-5/8, 1-11/16, 1-3/4	2.125	4.250	2.480	5.000	3.750	2.000	1/2-13UNC X .78	2.380	1.376	2.220	5.2
1-7/8, 1-15/16, 2s	2.250	4.650	2.717	5.500	4.000	2.000	5/8-11UNC X .90	2.500	1.500	2.469	5.6
2, 2-3/16	2.250	4.650	2.992	5.500	4.000	2.000	5/8-11UNC X .98	2.720	1.717	2.811	5.7

For Load Ratings, See Page N-3  
T-Zerk: 1/4-28 Taper

To order, specify type and bore size. Example: TPB220URW x 1-7/16  
For replacement inserts, use B220RW

DOWNLOAD AVAILABLE CAD MODELS AT: [WWW.HUBCITYINC.COM](http://WWW.HUBCITYINC.COM)

**Certified prints are available upon request**

EMAIL: [hubsales@regalbeloit.com](mailto:hubsales@regalbeloit.com) • [www.hubcityinc.com](http://www.hubcityinc.com)





# Hub City DuraLine® Bearing Units

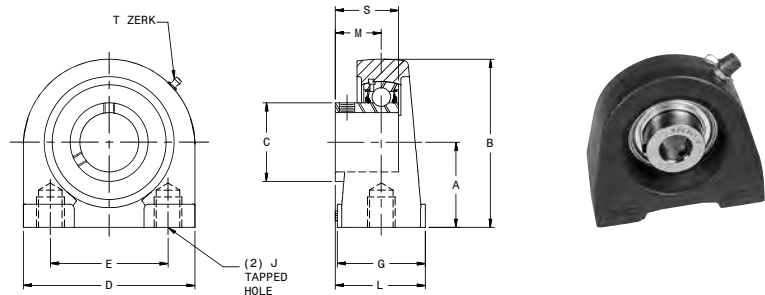
## Tapped Base

### Series TPB250UR

#### Features

- Self-aligning replaceable bearing
- Pre-lubricated with lithium grease
- Steel retainers
- Anti-rotation pins
- Nitrile rubber seals with steel trash guards
- Precision bored housings

#### 200 SERIES PILLOW BLOCK SETSCREW LOCK



200 SERIES - TAPPED BASE PILLOW BLOCKS - CAST IRON - SETSCREW LOCK - RELUBE TYPE											
TPB250UR											
SHAFT SIZE	A	B	C	D	E	G	J - TAPPED HOLES	L	M	S	WT. LBS.
1/2, 5/8	1.312	2.560	0.921	2.870	2.000	1.500	3/8-16UNC X .50	1.380	0.630	0.866	0.8
3/4	1.312	2.560	1.141	2.870	2.000	1.500	3/8-16UNC X .50	1.460	0.709	0.984	0.9
7/8, 1	1.437	2.800	1.339	3.000	2.000	1.500	3/8-16UNC X .50	1.520	0.787	1.063	1.4
1-1/8, 1-3/16, 1-1/4s	1.687	3.380	1.587	4.000	3.000	1.500	7/16-14UNC X .63	1.620	0.866	1.181	2.0
1-1/4, 1-3/8, 1-7/16	1.875	3.740	1.890	4.250	3.250	1.890	7/16-14UNC X .78	1.870	0.924	1.259	2.6
1-1/2	1.937	3.940	2.087	4.610	3.500	1.890	1/2-13UNC X .78	1.930	0.984	1.338	3.5
1-5/8, 1-11/16, 1-3/4	2.125	4.250	2.252	5.000	3.750	2.000	1/2-13UNC X .78	2.250	1.248	1.622	4.9
1-7/8, 1-15/16, 2S	2.250	4.650	2.433	5.500	4.000	2.000	5/8-11UNC X .90	2.320	1.319	1.712	5.1
2, 2-3/16	2.250	4.650	2.717	5.500	4.000	2.000	5/8-11UNC X .98	2.320	1.370	1.783	5.2

For Load Ratings, See Page N-3  
T-Zerk: 1/4-28 Taper

To order, specify type and bore size. Example: TPB250UR x 1-7/16  
For replacement inserts, use B250R

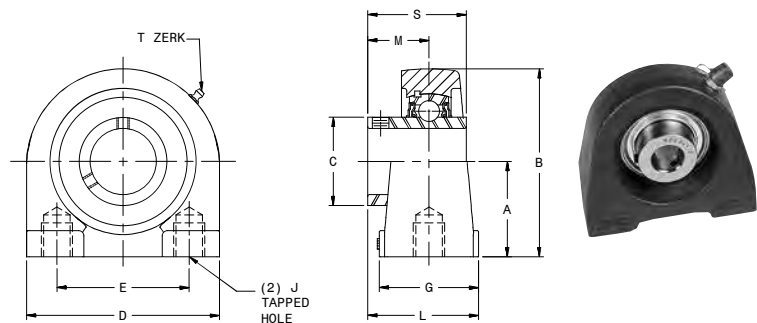
## Tapped Base - Wide Inner Race

### Series TPB250URW

#### Features

- Self-aligning replaceable bearing
- Pre-lubricated with lithium grease
- Steel retainers
- Anti-rotation pins
- Nitrile rubber seals with steel flingers
- Precision bored housings

#### 200 SERIES PILLOW BLOCK SETSCREW LOCK - WIDE INNER RING



200 SERIES - TAPPED BASE PILLOW BLOCKS - CAST IRON - SETSCREW LOCK - RELUBE TYPE - WIDE INNER RING											
TPB250DRW											
SHAFT SIZE	A	B	C	D	E	G	J - TAPPED HOLES	L	M	S	WT. LBS.
1/2, 5/8	1.312	2.560	0.969	2.870	2.000	1.500	3/8-16UNC X .50	1.380	0.629	1.024	0.8
3/4, 20mm	1.312	2.560	1.142	2.870	2.000	1.500	3/8-16UNC X .50	1.460	0.720	1.220	1.0
7/8, 1, 25mm	1.437	2.800	1.339	3.000	2.000	1.500	3/8-16UNC X .50	1.520	0.776	1.339	1.5
1-1/8, 1-3/16, 1-1/4s, 30mm	1.687	3.380	1.591	4.000	3.000	1.500	7/16-14UNC X .63	1.620	0.874	1.500	2.2
1-1/4, 1-3/8, 1-7/16, 35mm	1.875	3.740	1.866	4.250	3.250	1.890	1/2-13UNC X .78	1.870	1.000	1.689	2.8
1-1/2, 40mm	1.937	3.940	2.075	4.610	3.500	1.890	1/2-13UNC X .78	1.930	1.189	1.937	3.8
1-5/8, 1-11/16, 1-3/4, 45mm	2.125	4.250	2.248	5.000	3.750	2.000	1/2-13UNC X .78	2.250	1.189	1.937	5.2
1-7/8, 1-15/16, 2s, 50mm	2.250	4.650	2.465	5.500	4.000	2.000	5/8-11UNC X .90	2.320	1.283	2.031	5.6
2, 2-3/16, 55mm	2.250	4.650	3.059	5.500	4.000	2.000	5/8-11UNC X .98	2.320	1.315	2.189	5.7

For Load Ratings, See Page N-3  
T-Zerk: 1/4-28 Taper

To order, specify type and bore size. Example: TPB250URW x 1-7/16  
For replacement inserts, use B250RW

DOWNLOAD AVAILABLE CAD MODELS AT: [WWW.HUBCITYINC.COM](http://WWW.HUBCITYINC.COM)

**Certified prints are available upon request**

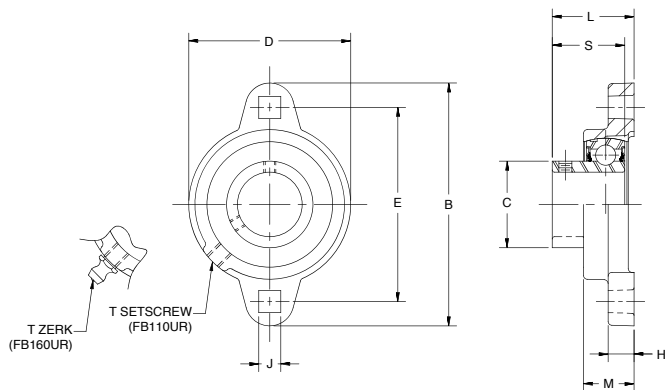
CALL: (605) 225-0360 • FAX: (605) 225-0567

# Hub City DuraLine® Bearing Units

## Flange Blocks

### Series FB110UR, FB130UR, FB160UR

#### 100 SERIES 2 BOLT FLANGE BLOCK SETSCREW LOCK

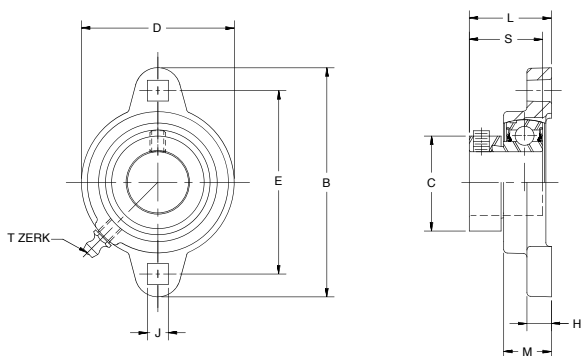


#### Features

- Self-aligning replaceable bearing
- Pre-lubricated with lithium grease
- Steel retainers
- Anti-rotation pins
- Nitrile rubber seals with steel trash guards
- Precision bored housings



100 SERIES – 2 BOLT FLANGE BLOCKS – DUCTILE IRON – SETSCREW LOCK										
FB110UR (NON-RELUBE) & FB160UR (RELUBE)										
SHAFT SIZE	B	C	D	E	H	J	L	M	S	WT. LBS.
1/2, 5/8	3.190	0.921	2.200	2.500	0.380	0.280	1.000	0.710	0.866	0.6
3/4	3.540	1.142	2.400	2.815	0.430	0.340	1.140	0.790	0.984	0.8
7/8, 1	3.740	1.339	2.520	2.992	0.430	0.340	1.200	0.790	1.063	0.8
1-1/8, 1-3/16, 1-1/4s	4.450	1.587	2.990	3.560	0.470	0.410	1.340	0.890	1.181	1.1
1-1/4, 1-3/8, 1-7/16	4.800	1.889	3.500	3.937	0.510	0.410	1.440	0.940	1.260	1.5



100 SERIES – 2 BOLT FLANGE BLOCKS – DUCTILE IRON – ECCENTRIC LOCK										
FB130UR										
SHAFT SIZE	B	C	D	E	H	J	L	M	S	WT. LBS.
1/2, 5/8	3.190	1.102	2.200	2.500	0.380	0.280	1.260	0.710	1.126	0.6
3/4	3.540	1.299	2.400	2.815	0.430	0.340	1.380	0.790	1.220	0.8
7/8, 1	3.740	1.476	2.520	2.992	0.430	0.340	1.360	0.790	1.220	0.8
1-1/8, 1-3/16, 1-1/4s	4.450	1.732	2.990	3.560	0.470	0.410	1.560	0.890	1.405	1.1
1-1/4, 1-3/8, 1-7/16	4.800	2.165	3.500	3.937	0.510	0.410	1.710	0.940	1.531	1.5

For Load Ratings, See Page N-3  
 T-Zerk: 1/4-28 Taper  
 T-Setscrew: 1/4-28

DuraLine Replacement Inserts  
 For 100 Series Setscrew Lock Use B250R, for 100 Series Eccentric Lock Use B220R

Dimensions shown are for reference only.  
 To order, specify type and bore size. Example: FB260UR x 1-7/16

DOWNLOAD AVAILABLE CAD MODELS AT: [WWW.HUBCITYINC.COM](http://WWW.HUBCITYINC.COM)  
**Certified prints are available upon request**

EMAIL: [hubsales@regalbeloit.com](mailto:hubsales@regalbeloit.com) • [www.hubcityinc.com](http://www.hubcityinc.com)

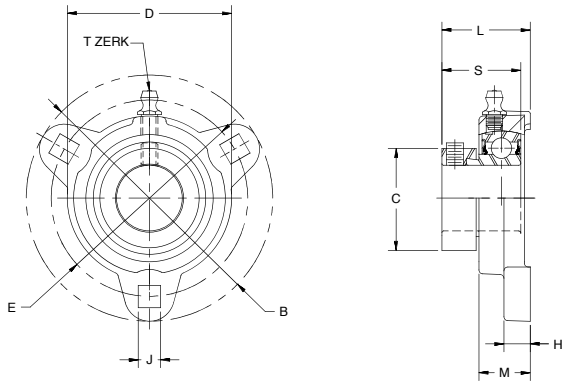


# Hub City DuraLine® Bearing Units

## Flange Blocks

### Series FB120UR, FB150UR

#### 100 SERIES 3 BOLT FLANGE BLOCK SETSCREW LOCK



#### Features

- Self-aligning replaceable bearing
- Pre-lubricated with lithium grease
- Steel retainers
- Anti-rotation pins
- Nitrile rubber seals with steel trash guards
- Precision bored housings



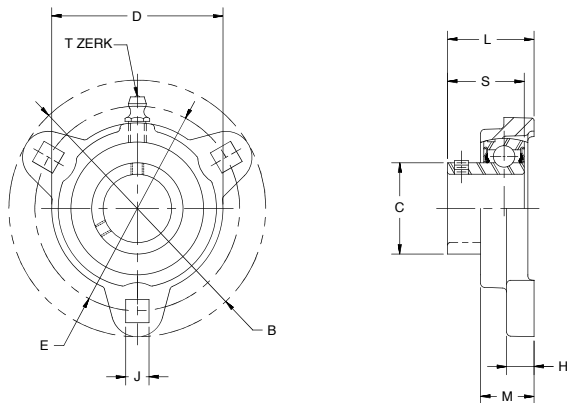
100 SERIES – 3 BOLT FLANGE BLOCKS – DUCTILE IRON – ECCENTRIC LOCK										
FB120UR										
SHAFT SIZE	B	C	D	E	H	J	L	M	S	WT. LBS
1/2, 5/8	3.190	1.102	1.930	2.500	0.390	0.280	1.280	0.690	1.126	0.6
3/4	3.560	1.299	2.440	2.811	0.390	0.340	1.350	0.780	1.220	0.8
7/8, 1	3.750	1.476	2.830	3.000	0.470	0.340	1.330	0.780	1.220	0.8
1-1/8, 1-3/16, 1-1/4s	4.430	1.732	3.310	3.563	0.470	0.410	1.560	0.870	1.405	1.1
1-1/4, 1-3/8, 1-7/16	4.800	2.165	3.540	3.937	0.530	0.410	1.730	0.940	1.531	1.7

DuraLine Replacement Inserts

For 100 Series Setcrew Lock Use B250R, for 100 Series Eccentric Lock Use B220R

For Load Ratings, See Page N-3

T-Zerk: 1/4-28 Taper



100 SERIES – 3 BOLT FLANGE BLOCKS – DUCTILE IRON – SETSCREW LOCK										
FB150UR (RELUBE)										
SHAFT SIZE	B	C	D	E	H	J	L	M	S	WT. LBS
1/2, 5/8	3.190	0.921	1.930	2.500	0.390	0.280	1.020	0.690	0.866	0.6
3/4	3.560	1.142	2.440	2.811	0.390	0.340	1.140	0.780	0.984	0.8
7/8, 1	3.750	1.339	2.830	3.000	0.470	0.340	1.170	0.780	1.063	0.8
1-1/8, 1-3/16, 1-1/4s	4.440	1.587	3.310	3.563	0.470	0.410	1.340	0.870	1.181	1.1
1-1/4, 1-3/8, 1-7/16	4.800	1.889	3.540	3.937	0.530	0.410	1.450	0.940	1.260	1.7

For Load Ratings, See Page N-3

T-Zerk: 1/4-28 Taper

For replacement inserts, use B250R

Dimensions shown are for reference only.

To order, specify type and bore size. Example: FB150UR x 1-7/16

DOWNLOAD AVAILABLE CAD MODELS AT: [WWW.HUBCITYINC.COM](http://WWW.HUBCITYINC.COM)

**Certified prints are available upon request**

CALL: (605) 225-0360 • FAX: (605) 225-0567

# Hub City DuraLine® Bearing Units Flange Blocks

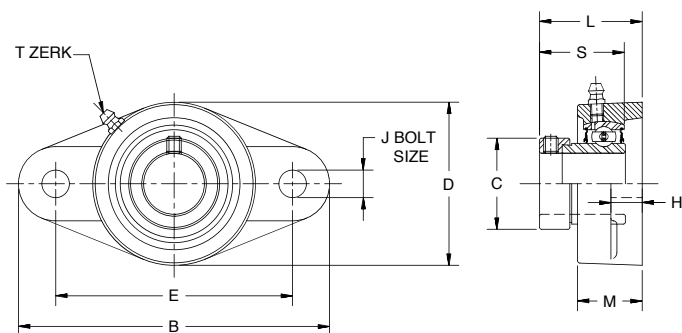
Series FB230UR, FB260UR

## Features

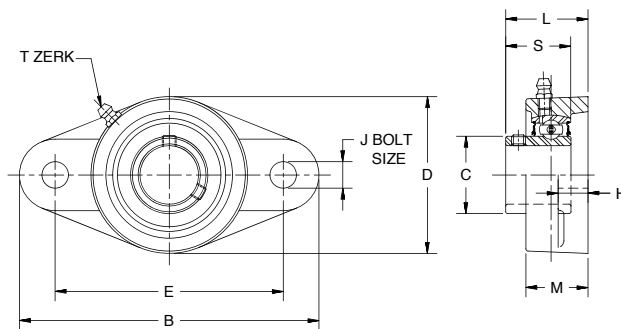
- Self-aligning replaceable bearing
- Pre-lubricated with lithium grease
- Steel retainers
- Anti-rotation pins
- Nitrile rubber seals with steel trash guards
- Precision bored housings



200 SERIES 2 BOLT FLANGE BLOCK  
ECCENTRIC LOCK



200 SERIES 2 BOLT FLANGE BLOCK  
SETSCREW LOCK



200 SERIES – 2 BOLT FLANGE BLOCKS – CAST IRON – ECCENTRIC LOCK										
FB230UR										
SHAFT SIZE	B	C	D	E	H	J	L	M	S	WT. LBS.
1/2, 5/8	4.410	1.100	2.360	3.000	0.430	0.410	1.562	0.980	1.126	1.0
3/4	4.410	1.300	2.360	3.531	0.430	0.410	1.508	0.980	1.220	1.3
7/8, 1	4.880	1.480	2.760	3.890	0.510	0.490	1.551	1.060	1.220	1.9
1-1/8, 1-3/16, 1-1/4s	5.550	1.730	3.270	4.594	0.510	0.490	1.795	1.180	1.406	2.7
1-1/4, 1-3/8, 1-7/16	6.140	2.170	3.740	5.125	0.550	0.550	1.949	1.340	1.531	3.1
1-1/2	6.730	2.280	4.130	5.657	0.550	0.550	2.193	1.500	1.720	3.6
1-5/8, 1-11/16, 1-3/4	7.050	2.480	4.370	5.843	0.550	0.630	2.173	1.570	1.720	4.3
1-7/8, 1-15/16, 2S	7.440	2.720	4.570	6.189	0.550	0.630	2.201	1.570	1.720	5.3
2, 2-3/16	8.500	2.990	5.240	7.252	0.830	0.710	2.492	1.730	1.906	7.6

200 SERIES – 2 BOLT FLANGE BLOCKS – CAST IRON – SETSCREW LOCK										
FB260UR										
SHAFT SIZE	B	C	D	E	H	J	L	M	S	WT. LBS.
1/2, 5/8	4.410	0.920	2.360	3.000	0.430	0.410	1.303	0.980	0.866	0.8
3/4	4.410	1.140	2.360	3.531	0.430	0.410	1.271	0.980	0.984	1.0
7/8, 1	4.880	1.340	2.760	3.890	0.510	0.490	1.394	1.060	1.063	1.4
1-1/8, 1-3/16, 1-1/4s	5.550	1.590	3.270	4.594	0.510	0.490	1.571	1.180	1.181	1.9
1-1/4, 1-3/8, 1-7/16	6.140	1.890	3.740	5.125	0.550	0.550	1.676	1.340	1.259	2.9
1-1/2	6.730	2.086	4.130	5.657	0.550	0.550	1.812	1.500	1.339	3.9
1-5/8, 1-11/16, 1-3/4	7.050	2.251	4.370	5.843	0.550	0.630	2.047	1.570	1.622	4.5
1-7/8, 1-15/16, 2S	7.440	2.433	4.570	6.189	0.550	0.630	2.158	1.570	1.713	4.9
2, 2-3/16	8.500	2.716	5.240	7.252	0.830	0.710	2.318	1.730	1.783	6.5

DuraLine Replacement Inserts

For 200 Series Setscrew Lock Use B250R, for 200 Series Eccentric Lock Use B220R

For Load Ratings, See Page N-3

T-Zerk: 1/4-28 Taper

Dimensions shown are for reference only.

To order, specify type and bore size. Example: FB260UR x 1-7/16

DOWNLOAD AVAILABLE CAD MODELS AT: [WWW.HUBCITYINC.COM](http://WWW.HUBCITYINC.COM)

**Certified prints are available upon request**

EMAIL: [hubsales@regalbeloit.com](mailto:hubsales@regalbeloit.com) • [www.hubcityinc.com](http://www.hubcityinc.com)



# Hub City DuraLine® Bearing Units

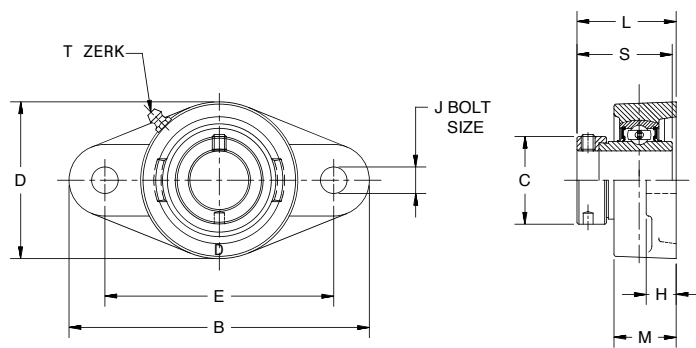
## Flange Blocks - Wide Inner Race

### Series FB230DRW, FB260DRW

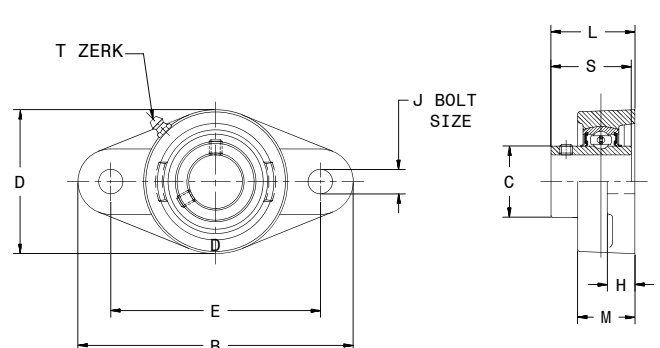
#### Features

- Ductile iron housings
- Higher strength and impact resistance for high shock loads
- Suitable to replace gray iron housed bearings
- Self-aligning replaceable bearing
- Pre-lubricated with lithium grease
- Steel retainers
- Anti-rotation pins
- Nitrile rubber seals with steel flingers
- Precision bored housings

200 SERIES 2 BOLT FLANGE BLOCK  
ECCENTRIC LOCK – WIDE INNER RING



200 SERIES 2 BOLT FLANGE BLOCK  
SETSCREW LOCK – WIDE INNER RING



200 SERIES - 2 BOLT FLANGE BLOCKS - DUCTILE - ECCENTRIC LOCK - WIDE INNER RING										
FB230DRW										
SHAFT SIZE	B	C	D	E	H	J	L	M	S	WT. LBS.
3/4	4.410	1.300	2.360	3.531	0.430	0.413	1.797	1.260	1.720	1.4
7/8, 1	4.880	1.480	2.760	3.890	0.510	0.492	1.809	1.320	1.748	2.0
1-1/8, 1-3/16, 1-1/4s	5.550	1.730	3.230	4.594	0.510	0.492	1.998	1.380	1.905	2.9
1-1/4, 1-3/8, 1-7/16	6.140	2.170	3.740	5.125	0.590	0.551	2.115	1.470	2.016	3.3
1-1/2	6.770	2.280	4.130	5.657	0.590	0.551	2.313	1.690	2.220	3.9
1-5/8, 1-11/16, 1-3/4	7.050	2.480	4.370	5.843	0.590	0.630	2.306	1.750	2.220	4.6
1-7/8, 1-15/16, 2s	7.440	2.720	4.560	6.189	0.590	0.630	2.626	1.880	2.468	5.8
2, 2-3/16	8.500	2.990	5.240	7.252	0.830	0.709	2.968	2.000	2.811	8.1



200 SERIES - 2 BOLT FLANGE BLOCKS - DUCTILE - SETSCREW LOCK - WIDE INNER RING										
FB260DRW										
SHAFT SIZE	B	C	D	E	H	J	L	M	S	WT. LBS.
3/4, 20mm	4.410	1.142	2.360	3.531	0.430	0.413	1.468	1.260	1.220	1.1
7/8, 1, 25mm	4.880	1.339	2.760	3.890	0.510	0.492	1.523	1.320	1.339	1.5
1-1/8, 1-3/16, 1-1/4s, 30mm	5.550	1.591	3.230	4.594	0.510	0.492	1.685	1.380	1.500	2.1
1-1/4, 1-3/8, 1-7/16, 35mm	6.140	1.866	3.740	5.125	0.590	0.551	1.842	1.470	1.689	3.1
1-1/2, 40mm	6.770	2.075	4.130	5.657	0.590	0.551	2.126	1.690	1.937	4.2
1-5/8, 1-11/16, 1-3/4, 45mm	7.050	2.248	4.370	5.843	0.590	0.630	2.126	1.750	1.937	4.8
1-7/8, 1-15/16, 2s, 50mm	7.440	2.465	4.560	6.189	0.590	0.630	2.409	1.880	2.031	5.2
2, 2-3/16, 55mm	8.500	2.776	5.240	7.252	0.830	0.709	2.567	2.000	2.189	7.0



For Load Ratings, See Page N-3  
T-Zerk: 1/4-28 Taper

DuraLine Replacement Inserts

For 100 and 200 Series Setscrew Lock Use B250RW, for 100 and 200 Series Eccentric Lock Use B220RW

Dimensions shown are for reference only.

To order, specify type and bore size. Example: FB260DRW x 1-7/16

DOWNLOAD AVAILABLE CAD MODELS AT: [WWW.HUBCITYINC.COM](http://WWW.HUBCITYINC.COM)

**Certified prints are available upon request**

CALL: (605) 225-0360 • FAX: (605) 225-0567

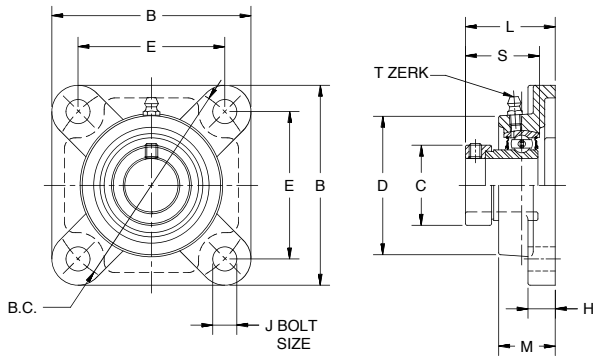
# Hub City DuraLine® Bearing Units Flange Blocks

## Series FB220UR, FB250UR

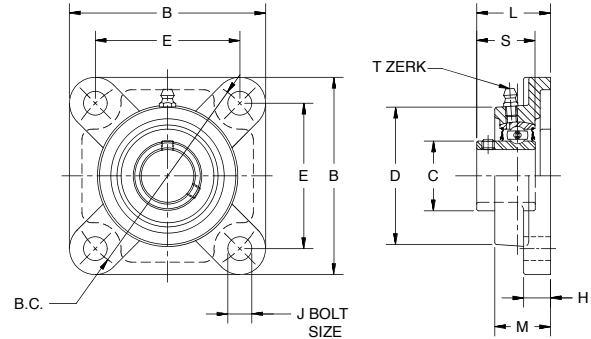
### Features

- Self-aligning replaceable bearing
- Pre-lubricated with lithium grease
- Steel retainers
- Anti-rotation pins
- Nitrile rubber seals with steel trash guards
- Precision bored housings

200 SERIES 4 BOLT FLANGE BLOCK  
ECCENTRIC LOCK



200 SERIES 4 BOLT FLANGE  
BLOCK SETSCREW LOCK



200 SERIES – 4 BOLT FLANGE BLOCKS – CAST IRON – ECCENTRIC LOCK											
FB220UR											
SHAFT SIZE	B	B.C.	C	D	E	H	J	L	M	S	WT. LBS.
1/2, 5/8	3.000	3.000	1.100	2.090	2.126	0.430	0.450	1.480	1.000	1.125	1.0
3/4	3.380	3.563	1.300	2.360	2.520	0.470	0.470	1.535	1.000	1.220	1.4
7/8, 1	3.740	3.898	1.480	2.800	2.756	0.550	0.470	1.555	1.060	1.220	1.8
1-1/8, 1-3/16, 1-1/4s	4.250	4.625	1.730	3.190	3.268	0.550	0.470	1.799	1.220	1.406	2.6
1-1/4, 1-3/8, 1-7/16	4.610	5.125	2.170	3.620	3.622	0.630	0.550	1.945	1.340	1.531	4.3
1-1/2	5.120	5.677	2.280	4.090	4.016	0.630	0.630	2.193	1.420	1.720	5.3
1-5/8, 1-11/16, 1-3/4	5.390	5.846	2.480	4.250	4.134	0.710	0.630	2.213	1.500	1.720	5.6
1-7/8, 1-15/16, 2S	5.630	6.181	2.710	4.450	4.370	0.710	0.630	2.193	1.570	1.720	6.5
2, 2-3/16	6.380	7.236	2.990	4.920	5.118	0.780	0.750	2.476	1.690	1.906	9.1
2-1/4, 2-7/16	6.880	7.960	3.310	5.310	5.630	0.780	0.750	2.646	1.890	1.937	12.0



200 SERIES – 4 BOLT FLANGE BLOCKS – CAST IRON – SETSCREW LOCK											
FB250UR											
SHAFT SIZE	B	B.C.	C	D	E	H	J	L	M	S	WT. LBS.
1/2, 5/8	3.000	3.000	0.920	2.090	2.126	0.430	0.450	1.220	1.000	0.866	1.0
3/4	3.380	3.563	1.140	2.360	2.520	0.470	0.470	1.300	1.000	0.984	1.4
7/8, 1	3.740	3.898	1.340	2.800	2.756	0.550	0.470	1.398	1.060	1.063	1.8
1-1/8, 1-3/16, 1-1/4s	4.250	4.625	1.590	3.190	3.268	0.550	0.470	1.575	1.220	1.181	2.6
1-1/4, 1-3/8, 1-7/16	4.610	5.125	1.890	3.620	3.622	0.630	0.550	1.673	1.340	1.260	4.2
1-1/2	5.120	5.677	2.090	4.090	4.016	0.630	0.630	1.811	1.420	1.339	5.3
1-5/8, 1-11/16, 1-3/4	5.390	5.846	2.250	4.250	4.134	0.710	0.630	2.087	1.500	1.622	5.7
1-7/8, 1-15/16, 2S	5.630	6.181	2.430	4.450	4.370	0.710	0.630	2.150	1.570	1.713	6.6
2, 2-3/16	6.380	7.236	2.720	4.920	5.118	0.780	0.750	2.303	1.690	1.783	9.0
2-1/4, 2-7/16	6.880	7.960	2.950	5.310	5.630	0.780	0.750	2.669	1.890	2.114	12.0



For Load Ratings, See Page N-3  
T-Zerk: 1/4-28 Taper

DuraLine Replacement Inserts

For 200 Series Setscrew Lock Use B250R, for 200 Series Eccentric Lock Use B220R

Dimensions shown are for reference only.

To order, specify type and bore size. Example: FB250UR x 1-7/16

DOWNLOAD AVAILABLE CAD MODELS AT: [WWW.HUBCITYINC.COM](http://WWW.HUBCITYINC.COM)

**Certified prints are available upon request**

EMAIL: [hubsales@regalbeloit.com](mailto:hubsales@regalbeloit.com) • [www.hubcityinc.com](http://www.hubcityinc.com)



# Hub City DuraLine® Bearing Units

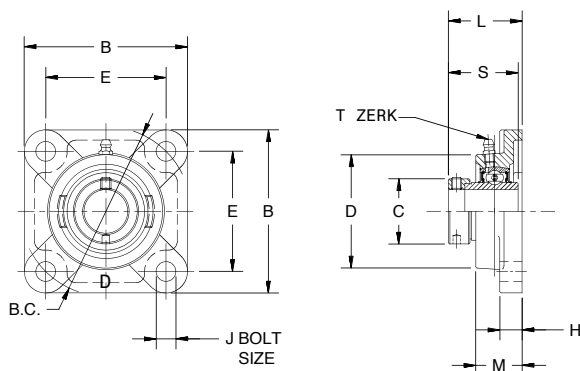
## Flange Blocks - Wide Inner Race

### Series FB220DRW, FB250DRW

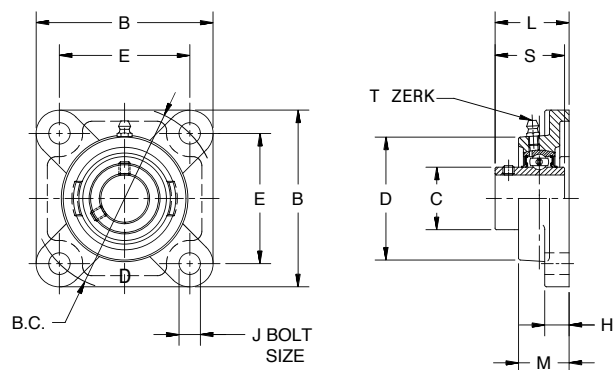
#### Features

- Ductile iron housings
- Higher strength and impact resistance for high shock loads
- Suitable to replace gray iron housed bearings
- Self-aligning replaceable bearing
- Pre-lubricated with lithium grease
- Steel retainers
- Anti-rotation pins
- Nitrile rubber seals with steel flingers
- Precision bored housings

200 SERIES 4 BOLT FLANGE BLOCK  
ECCENTRIC LOCK – WIDE INNER RING



200 SERIES 4 BOLT FLANGE BLOCK  
SETSCREW LOCK – WIDE INNER RING



200 SERIES - 4 BOLT FLANGE BLOCKS - DUCTILE IRON - ECCENTRIC LOCK - WIDE INNER RING											
FB220DRW											
SHAFT SIZE	B	B.C.	C	D	E	H	J	L	M	S	WT. LBS.
3/4	3.380	3.536	1.300	2.400	2.500	0.590	0.453	1.791	1.160	1.720	1.7
7/8, 1	3.660	3.889	1.480	2.750	2.750	0.590	0.453	1.807	1.180	1.748	2.1
1-1/8, 1-3/16, 1-1/4s	4.180	4.596	1.730	3.150	3.250	0.630	0.512	1.972	1.280	1.905	2.9
1-1/4, 1-3/8, 1-7/16	4.560	5.127	2.170	3.540	3.625	0.670	0.512	2.098	1.380	2.016	3.9
1-1/2	5.080	5.656	2.280	4.020	4.000	0.670	0.551	2.320	1.540	2.220	4.9
1-5/8, 1-11/16, 1-3/4	5.310	5.834	2.480	4.250	4.125	0.710	0.630	2.320	1.570	2.220	5.8
1-7/8, 1-15/16, 2s	5.630	6.187	2.710	4.490	4.375	0.790	0.630	2.602	1.770	2.468	6.5
2, 2-3/16	6.380	7.248	2.990	4.960	5.125	0.830	0.670	2.937	1.930	2.811	9.0
2-1/4, 2-7/16	6.890	7.955	3.310	5.390	5.625	0.870	0.670	3.181	2.110	3.063	10.7



200 SERIES - 4 BOLT FLANGE BLOCKS - DUCTILE IRON - SETSCREW LOCK - WIDE INNER RING											
FB250DRW											
SHAFT SIZE	B	B.C.	C	D	E	H	J	L	M	S	WT. LBS.
3/4, 20mm	3.380	3.536	1.142	2.400	2.500	0.590	0.453	1.486	1.160	1.220	1.5
7/8, 1, 25mm	3.660	3.889	1.339	2.750	2.750	0.590	0.453	1.523	1.180	1.339	1.9
1-1/8, 1-3/16, 1-1/4s, 30mm	4.180	4.596	1.591	3.150	3.250	0.630	0.512	1.661	1.280	1.500	2.8
1-1/4, 1-3/8, 1-7/16, 35mm	4.560	5.127	1.866	3.540	3.625	0.670	0.512	1.826	1.380	1.689	4.4
1-1/2, 40mm	5.080	5.656	2.075	4.020	4.000	0.670	0.551	2.133	1.540	1.937	5.6
1-5/8, 1-11/16, 1-3/4, 45mm	5.310	5.834	2.248	4.250	4.125	0.710	0.630	2.133	1.570	1.937	6.0
1-7/8, 1-15/16, 2s, 50mm	5.630	6.187	2.465	4.490	4.375	0.790	0.630	2.386	1.770	2.031	7.1
2, 2-3/16, 55mm	6.380	7.248	2.776	4.960	5.125	0.830	0.670	2.535	1.930	2.189	9.5
2-1/4, 2-7/16, 60mm	6.890	7.955	3.059	5.390	5.625	0.870	0.670	2.886	2.110	2.563	12.4



For Load Ratings, See Page N-3

T-Zerk: 1/4-28 Taper

DuraLine Replacement Inserts

For 100 and 200 Series Setscrew Lock Use B250RW, for 100 and 200 Series Eccentric Lock Use B220RW

Dimensions shown are for reference only. To order, specify type and bore size. Example: FB250DRW x 1-7/16

DOWNLOAD AVAILABLE CAD MODELS AT: [WWW.HUBCITYINC.COM](http://WWW.HUBCITYINC.COM)

**Certified prints are available upon request**

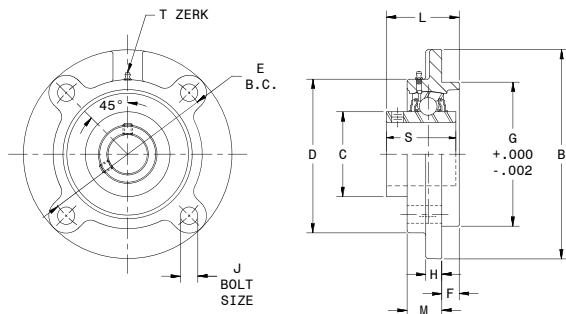
CALL: (605) 225-0360 • FAX: (605) 225-0567



# Hub City DuraLine® Bearing Units

## Cast Iron Flange Cartridge

### Series FC250URW



#### Features

- Relube type. Prelubricated at factory
- Setscrew locking
- Self-aligning replacement bearing
- Nitrile rubber seals with steel trash guard
- Precision bored Cast Iron Housing

SHAFT SIZE	FC250URW - FLANGE CARTRIDGE - CAST IRON - SETSCREW - WIDE INNER RING											WT. LBS.
	B	C	D	E	F	G	H	J	L	M	S	
1-1/8, 1-3/16, 1-1/4s, 30mm	4.370	1.591	3.250	3.622	0.250	3.000	0.370	0.374	1.520	0.940	1.268	3.3
1-1/4, 1-3/8, 1-7/16, 35mm	5.000	1.866	3.620	4.134	0.370	3.374	0.370	0.472	1.680	0.870	1.315	3.9
1-1/2, 40mm	5.240	2.075	3.880	4.370	0.440	3.622	0.430	0.472	1.980	1.020	1.543	4.1
1-5/8, 1-11/16, 1-3/4, 45mm	6.100	2.248	4.250	5.118	0.470	4.252	0.470	0.551	1.980	0.870	1.417	5.5
1-7/8, 1-15/16, 2s, 50mm	6.130	2.465	4.500	5.118	0.470	4.252	0.430	0.551	2.070	0.980	1.598	6.1
2, 2-3/16, 55mm	6.380	2.776	4.880	5.394	0.630	4.500	0.510	0.551	2.180	0.980	1.590	8.9
2-1/4, 2-7/16, 60mm	7.090	3.059	5.380	5.984	0.870	5.000	0.630	0.630	2.590	1.020	1.720	11.3

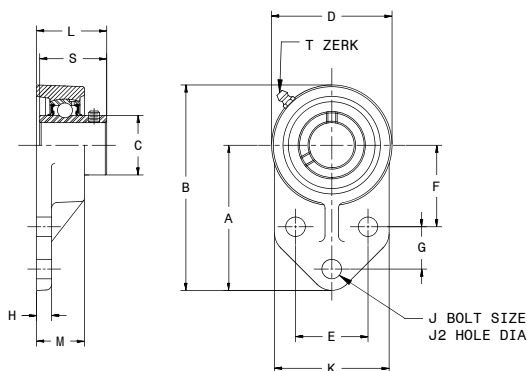
Part Numbers are specified by "FC250URW" and Bore Size. Example: FC250URW x 1-1/2.  
T-Zerk: 1/4-28 Taper

For replacement inserts, use B250RW

## Three-Bolt Flange Bracket Bearings

### Series FR250URW

#### FR250URW DURALINE 3-BOLT FLANGE BRACKET



#### Features

- Reliable Performance
- Economical Durability
- Cast Iron Housings
- Wide Inner Race
- Self Aligning Replaceable Bearing
- Setscrew Lock Inserts
- Pre-lubricated with Lithium Grease
- Steel Retainers
- Anti-rotation pins
- Nitrile Rubber Seals with Steel Flingers
- Precision Bored Housings

200 SERIES - 3 BOLT FLANGE BRACKETS - CAST IRON - SETSCREW LOCK - WIDE INNER RING								
FR250URW								
SHAFT SIZE	A	B	C	D	E	F	G	H
1/2, 5/8, 3/4, 20mm	3.000	4.250	1.142	2.500	1.500	1.688	0.875	0.310
7/8, 1, 25mm	3.380	4.750	1.339	2.750	1.625	1.812	1.125	0.380
1-1/8, 1-3/16, 1-1/4s, 30mm	3.750	5.380	1.591	3.250	1.875	2.063	1.250	0.380
1-1/4, 1-3/8, 1-7/16, 35mm	4.250	6.120	1.866	3.750	2.000	2.375	1.250	0.500
1-1/2, 40mm	4.500	6.440	2.075	3.940	2.000	2.375	1.625	0.630
1-5/8, 1-11/16, 1-3/4, 45mm	4.750	6.870	2.248	4.180	2.125	2.562	4.688	0.720
1-15/16, 2S, 50mm	5.180	7.500	2.465	4.650	2.750	2.937	1.625	0.500



200 SERIES - 3 BOLT FLANGE BRACKETS - CAST IRON - SETSCREW LOCK - WIDE INNER RING							
FR250URW							
SHAFT SIZE	J	J2	K	L	M	S	WT LBS
1/2, 5/8, 3/4, 20mm	0.375	0.394	2.380	1.343	1.000	1.220	1.5
7/8, 1, 25mm	0.375	0.394	2.500	1.437	1.120	1.338	1.9
1-1/8, 1-3/16, 1-1/4s, 30mm	0.375	0.394	2.750	1.610	1.250	1.500	2.2
1-1/4, 1-3/8, 1-7/16, 35mm	0.500	0.551	3.250	1.827	1.440	1.689	3.6
1-1/2, 40mm	0.500	0.551	3.060	2.016	1.410	1.937	4.6
1-5/8, 1-11/16, 1-3/4, 45mm	0.500	0.551	3.130	2.016	1.500	1.937	5.0
1-15/16, 2S, 50mm	0.500	0.551	4.000	2.110	1.500	2.031	5.7

For Load Ratings, See Page N-3

T-Zerk: 1/4-28 Taper

For replacement inserts, use B250RW

Dimensions shown are for reference only.

To order, specify type and bore size. Example: FR250URW x 1-7/16

DOWNLOAD AVAILABLE CAD MODELS AT: [WWW.HUBCITYINC.COM](http://WWW.HUBCITYINC.COM)

**Certified prints are available upon request**

EMAIL: [hubsales@regalbeloit.com](mailto:hubsales@regalbeloit.com) • [www.hubcityinc.com](http://www.hubcityinc.com)



# Hub City DuraLine® Bearing Units

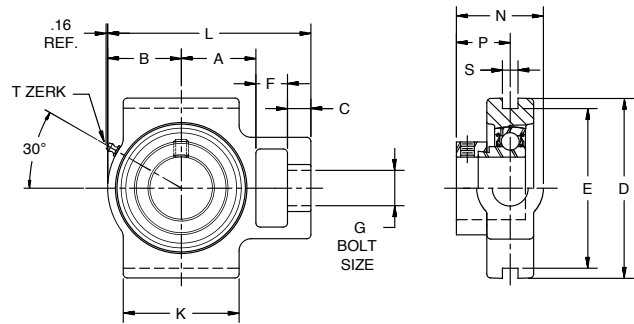
## Standard Slot Take-Up Units

### Series TU220UR, TU250UR

#### TU220UR Standard Slot Take-Up Units

#### Features

- Relube type. Prelubricated at factory
- Eccentric locking collar
- Self-aligning replaceable bearing
- Nitrile rubber seals with steel trash guard
- Precision bored Cast Iron housing



NOTE: BEARINGS WITH ECCENTRIC LOCKING COLLARS ARE NOT RECOMMENDED FOR USE IN REVERSING APPLICATIONS.

SHAFT SIZE	USE WITH FRAME NO. ★	DIMENSIONS													WT. LBS.
		A	B	C	D	E	F	G	J	K	L	N	P	S§	
3/4	3 thru 9T200BC	1.290	1.260	0.400	3.500	3.000	0.630	0.750	1.890	1.730	3.930	1.680	0.945	0.311	1.6
7/8, 1	3 thru 9T200BC	1.290	1.380	0.400	3.500	3.000	0.630	0.750	1.890	1.930	4.050	1.660	0.925	0.311	1.9
1-1/8, 1-3/16, 1-1/4S	3 thru 12T200DE	1.610	1.580	0.510	4.020	3.504	0.750	0.870	2.130	2.360	4.680	1.900	1.091	0.311	2.5
1-1/4, 1-3/8, 1-7/16	3 thru 12T200DE	1.690	1.700	0.510	4.020	3.504	0.750	0.870	2.130	2.640	5.000	2.010	1.197	0.311	2.9
1-1/2	3 thru 18T200FH	1.890	1.890	0.630	4.490	4.000	0.750	1.140	2.640	2.950	5.470	2.270	1.366	0.311	4.1
1-5/8, 1-3/4, 1-11/16	3 thru 18T200FH	2.050	2.040	0.630	4.490	4.000	0.750	1.140	2.640	3.110	5.780	2.250	1.346	0.311	4.6
1-15/16, 2S	3 thru 18T200FH	2.200	2.170	0.630	4.490	4.000	0.750	1.140	2.640	3.310	6.060	2.230	1.327	0.311	4.6
2, 2-3/16, 2-1/4	9 thru 18T200JK	2.380	2.370	0.750	5.750	5.126	1.000	1.380	3.270	3.700	6.810	2.550	1.492	0.311	8.3
2-7/16	9 thru 18T200JK	2.700	2.870	0.750	5.750	5.126	1.000	1.380	3.270	4.060	7.670	2.570	1.504	0.311	8.6

Part Numbers are specified by "TU220UR" and Bore Size. Example: TU220UR x 1-1/2.

★ Take-Up Frames shown on page M-33.

§ Take-Up Units with wider slots are shown on page N-19.

T-Zerk: 1/4-28 Taper

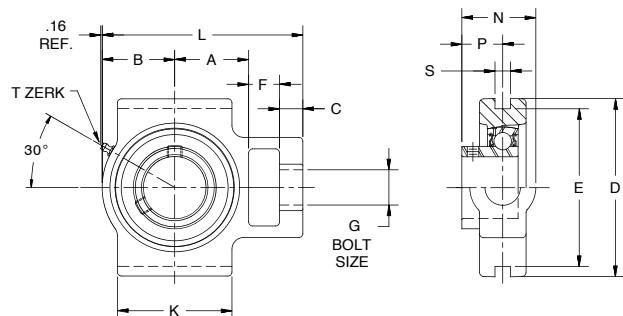
For Load Ratings, see page N-3.

For replacement inserts use B220R Bearing Inserts

### TU250UR Standard Slot Take-Up Units

#### Features

- Relube type. Prelubricated at factory
- Setscrew locking
- Self-aligning replaceable bearing
- Nitrile rubber seals with steel trash guard
- Precision bored Cast Iron housing



SHAFT SIZE	USE WITH FRAME NO. ★	DIMENSIONS													WT. LBS.
		A	B	C	D	E	F	G	J	K	L	N	P	S§	
3/4	3 thru 9T200BC	1.290	1.260	0.400	3.500	3.000	0.630	0.750	1.890	1.730	3.930	1.440	0.709	0.311	1.6
7/8, 1	3 thru 9T200BC	1.290	1.380	0.400	3.500	3.000	0.630	0.750	1.890	1.930	4.050	1.500	0.768	0.311	1.9
1-1/8, 1-3/16, 1-1/4S	3 thru 12T200DE	1.610	1.580	0.510	4.020	3.504	0.750	0.870	2.130	2.360	4.680	1.680	0.866	0.311	2.5
1-1/4, 1-3/8, 1-7/16	3 thru 12T200DE	1.690	1.700	0.510	4.020	3.504	0.750	0.870	2.130	2.640	5.000	1.740	0.925	0.311	2.9
1-1/2	3 thru 18T200FH	1.890	1.890	0.630	4.490	4.000	0.750	1.140	2.640	2.950	5.470	3.170	0.984	0.311	4.1
1-5/8, 1-3/4, 1-11/16	3 thru 18T200FH	2.050	2.040	0.630	4.490	4.000	0.750	1.140	2.640	3.110	5.780	2.130	1.220	0.311	4.6
1-15/16, 2S	3 thru 18T200FH	2.200	2.170	0.630	4.490	4.000	0.750	1.140	2.640	3.310	6.060	2.190	1.283	0.311	4.6
2, 2-3/16, 2-1/4	9 thru 18T200JK	2.380	2.370	0.750	5.750	5.126	1.000	1.380	3.270	3.700	6.810	2.380	1.319	0.311	8.3
2-7/16	9 thru 18T200JK	2.700	2.870	0.750	5.750	5.126	1.000	1.380	3.270	4.060	7.670	2.590	1.528	0.311	8.6

Part Numbers are specified by "TU250UR" and Bore Size. Example: TU250UR x 1-1/2

★ Take-Up Frames shown on page M-33.

§ Take-Up Units with wider slots are shown on page N-19.

T-Zerk: 1/4-28 Taper

For Load Ratings, see page N-3.

For replacement inserts use B250R Bearing Inserts

Dimensions shown are for reference only.

DOWNLOAD AVAILABLE CAD MODELS AT: [WWW.HUBCITYINC.COM](http://WWW.HUBCITYINC.COM)

Certified prints are available upon request

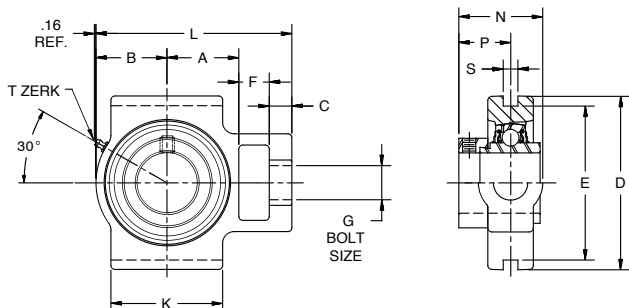
CALL: (605) 225-0360 • FAX: (605) 225-0567

# Hub City DuraLine® Bearing Units

## Standard Slot Take-Up Units

### Series TU220URW, TU250URW

#### TU220URW Standard Slot Take-Up Units



#### Features

- Relube type. Prelubricated at factory
- Eccentric locking collar
- Self-aligning replaceable bearing
- Nitrile rubber seals with steel trash guard
- Precision bored Cast Iron housing
- Wide inner race

NOTE: BEARINGS WITH ECCENTRIC LOCKING COLLARS ARE NOT RECOMMENDED FOR USE IN REVERSING APPLICATIONS.

SHAFT SIZE	USE WITH FRAME NO. ★	DIMENSIONS													WT. LBS.
		A	B	C	D	E	F	G	J	K	L	N	P	S§	
3/4	3 thru 9T200BC	1.290	1.260	0.400	3.500	3.000	0.630	0.750	1.890	1.730	3.930	1.780	1.049	0.311	1.6
7/8, 1	3 thru 9T200BC	1.290	1.380	0.400	3.500	3.000	0.630	0.750	1.890	1.930	4.050	1.790	1.061	0.311	1.9
1-1/8, 1-3/16, 1-1/4S	3 thru 12T200DE	1.610	1.580	0.510	4.020	3.504	0.630	0.870	2.130	2.360	4.680	2.000	1.187	0.311	2.5
1-1/4, 1-3/8, 1-7/16	3 thru 12T200DE	1.690	1.700	0.510	4.020	3.504	0.750	0.870	2.130	2.640	5.000	2.080	1.274	0.311	2.9
1-1/2	3 thru 18T200FH	1.890	1.890	0.630	4.490	4.000	0.750	1.140	2.640	2.950	5.470	2.280	1.376	0.311	4.1
1-5/8, 1-3/4, 1-11/16	3 thru 18T200FH	2.050	2.040	0.630	4.490	4.000	0.750	1.140	2.640	3.110	5.780	2.280	1.376	0.311	4.6
1-15/16, 2S	3 thru 18T200FH	2.200	2.170	0.630	4.490	4.000	0.750	1.140	2.640	3.310	6.060	2.410	1.500	0.311	4.6
2, 2-3/16, 2-1/4	9 thru 18T200JK	2.380	2.370	0.750	5.750	5.126	1.000	1.380	3.270	3.700	6.810	2.780	1.717	0.311	8.3
2-7/16	9 thru 18T200JK	2.700	2.870	0.750	5.750	5.126	1.000	1.380	3.270	4.060	7.670	2.910	1.844	0.311	8.6

Part Numbers are specified by "TU220URW" and Bore Size. Example: TU220URW x 1-1/2.

For Load Ratings, see page N-3

★ Take-Up Frames shown on page M-33.

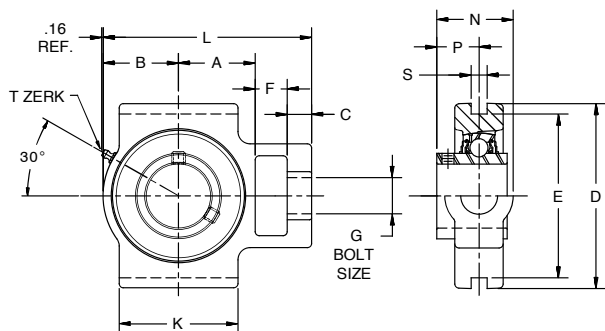
Bearing protrudes beyond edge of housing

§ Take-Up Units with wider slots are shown on page N-20.

For replacement inserts, use B220RW

T-Zerk: 1/4-28 Taper

#### TU250URW Standard Slot Take-Up Units



#### Features

- Relube type. Prelubricated at factory
- Setscrew locking
- Self-aligning replaceable bearing
- Nitrile rubber seals with steel trash guard
- Precision bored Cast Iron housing
- Wide inner race

SHAFT SIZE	USE WITH FRAME NO. ★	DIMENSIONS													WT. LBS.
		A	B	C	D	E	F	G	J	K	L	N	P	S§	
3/4, 20mm	3 thru 9T200BC	1.290	1.260	0.400	3.500	3.000	0.630	0.750	1.890	1.730	3.930	1.450	0.720	0.311	1.6
7/8, 1, 25mm	3 thru 9T200BC	1.290	1.380	0.400	3.500	3.000	0.630	0.750	1.890	1.930	4.050	1.500	0.776	0.311	1.9
1-1/8, 1-3/16, 1-1/4S, 30mm	3 thru 12T200DE	1.610	1.580	0.510	4.020	3.504	0.750	0.870	2.130	2.360	4.680	1.680	0.874	0.311	2.5
1-1/4, 1-3/8, 1-7/16, 35mm	3 thru 12T200DE	1.690	1.700	0.510	4.020	3.504	0.750	0.870	2.130	2.640	5.000	1.810	1.000	0.311	2.9
1-1/2, 40mm	3 thru 18T200FH	1.890	1.890	0.630	4.490	4.000	0.750	1.140	2.640	2.950	5.470	2.100	1.189	0.311	4.1
1-5/8, 1-3/4, 1-11/16, 45mm	3 thru 18T200FH	2.050	2.040	0.630	4.490	4.000	0.750	1.140	2.640	3.110	5.780	2.100	1.189	0.311	4.6
1-15/16, 2S, 50mm	3 thru 18T200FH	2.200	2.170	0.630	4.490	4.000	0.750	1.140	2.640	3.310	6.060	2.190	1.283	0.311	4.6
2, 2-3/16, 2-1/4, 55mm	9 thru 18T200JK	2.380	2.370	0.750	5.750	5.126	1.000	1.380	3.270	3.700	6.810	2.380	1.315	0.311	8.3
2-7/16, 60mm	9 thru 18T200JK	2.700	2.870	0.750	5.750	5.126	1.000	1.380	3.270	4.060	7.670	2.630	1.563	0.311	8.6

Part Numbers are specified by "TU250URW" and Bore Size. Example: TU250URW x 1-1/2.

For Load Ratings, see page N-3

★ Take-Up Frames shown on page M-33.

For replacement inserts use B250RW Bearing Inserts

§ Take-Up Units with wider slots are shown on page N-20.

T-Zerk: 1/4-28 Taper

Dimensions shown are for reference only.

DOWNLOAD AVAILABLE CAD MODELS AT: [WWW.HUBCITYINC.COM](http://WWW.HUBCITYINC.COM)

Certified prints are available upon request

EMAIL: [hubsales@regalbeloit.com](mailto:hubsales@regalbeloit.com) • [www.hubcityinc.com](http://www.hubcityinc.com)



# Hub City DuraLine® Bearing Units

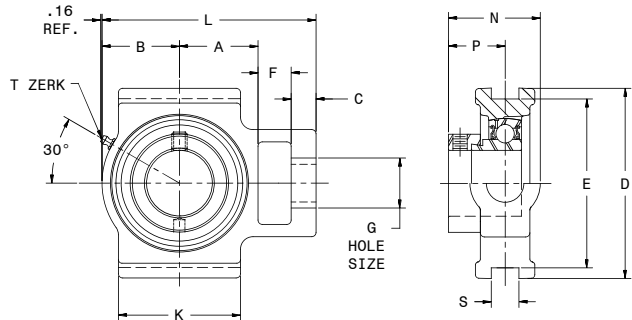
## Wide Slot Take-Up Units

### Series WSTU220UR, WSTU250UR

### WSTU220UR Wide Slot Take-Up Units

#### Features

- Relube type. Prelubricated at factory
- Eccentric locking collar
- Self-aligning replaceable bearing
- Nitrile rubber seals with steel trash guard
- Precision bored Cast Iron housing



NOTE: BEARINGS WITH ECCENTRIC LOCKING COLLARS ARE NOT RECOMMENDED FOR USE IN REVERSING APPLICATIONS.

SHAFT SIZE	USE WITH FRAME NO.	DIMENSIONS														WT. LBS.
		A	B	C	D	E	F	G	J	K	L	N	P	S§		
3/4	3 Thru 9TWS200BC	1.330	1.340	0.400	3.500	3.000	0.630	0.750	2.000	2.000	3.860	1.580	0.945	1.220	1.6	
7/8, 1	3 Thru 9TWS200BC	1.410	1.380	0.400	3.500	3.000	0.630	0.750	2.000	2.000	3.980	1.560	0.925	1.220	1.9	
1-1/8, 1-3/16, 1-1/4S	3 Thru 12TWS200DE	1.730	1.690	0.400	4.020	3.504	0.750	0.870	2.200	2.250	4.610	1.820	1.091	1.406	2.5	
1-1/4, 1-3/8, 1-7/16	3 Thru 12TWS200DE	1.930	2.010	0.510	4.020	3.504	0.750	0.870	2.520	2.520	5.240	2.660	1.197	1.531	2.9	
1-1/2	3 Thru 18TWS200FH	2.120	2.170	0.630	4.490	4.000	0.750	1.140	3.270	3.270	5.830	2.330	1.366	0.689	4.1	
1-5/8, 1-3/4, 1-11/16	3 Thru 18TWS200FH	2.050	2.240	0.630	4.490	4.000	0.750	1.140	3.270	3.270	5.830	2.310	1.346	0.689	4.6	
1-15/16, 2S	3 Thru 18TWS200FH	2.160	2.330	0.630	4.490	4.000	0.750	1.140	3.270	3.380	6.030	2.290	1.327	0.689	4.8	
2, 2-3/16, 2-1/4	9 Thru 18TWS200JK	2.440	2.560	0.750	5.750	5.126	0.980	1.380	4.020	3.740	6.890	2.750	1.492	1.063	8.3	
2-7/16	9 Thru 18TWS200JK	2.680	2.950	0.750	5.750	5.126	1.260	1.380	4.020	4.020	7.800	2.770	1.504	1.063	8.8	

Part Numbers are specified by "WSTU220UR" and Bore Size. Example: WSTU220UR x 3/4.

§ Take-Up Units with narrower slots are shown on page M-24.  
T-Zerk: 1/4-28 Taper

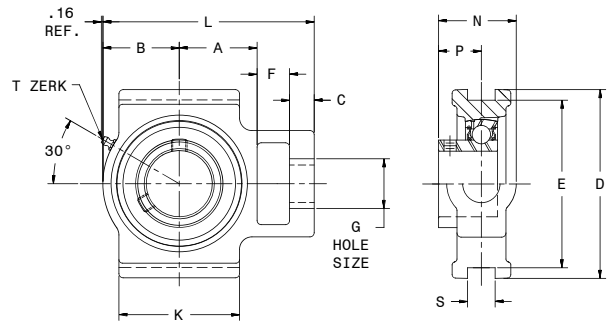
For Load Ratings, see page N-3

For replacement inserts use B220R Bearing Inserts

### WSTU250UR Wide Slot Take-Up Units

#### Features

- Relube type. Prelubricated at factory
- Setscrew locking
- Self-aligning replaceable bearing
- Nitrile rubber seals with steel trash guard
- Precision bored Cast Iron housing



SHAFT SIZE	USE WITH FRAME NO.	DIMENSIONS														WT. LBS.
		A	B	C	D	E	F	G	J	K	L	N	P	S§		
3/4	3 Thru 9TWS200BC	1.330	1.340	0.400	3.500	3.000	0.630	0.750	2.000	2.000	3.860	1.340	0.709	1.220	1.6	
7/8, 1	3 Thru 9TWS200BC	1.410	1.380	0.400	3.500	3.000	0.630	0.750	2.000	2.000	3.980	1.400	0.768	1.220	1.9	
1-1/8, 1-3/16, 1-1/4S	3 Thru 12TWS200DE	1.730	1.690	0.400	4.020	3.504	0.750	0.870	2.200	2.250	4.610	1.600	0.866	1.406	2.5	
1-1/4, 1-3/8, 1-7/16	3 Thru 12TWS200DE	1.930	2.010	0.510	4.020	3.504	0.750	0.870	2.520	2.520	5.240	1.660	0.925	1.531	2.9	
1-1/2	3 Thru 18TWS200FH	2.120	2.170	0.630	4.490	4.000	0.750	1.140	3.270	3.270	5.830	1.950	0.984	0.689	4.1	
1-5/8, 1-3/4, 1-11/16	3 Thru 18TWS200FH	2.050	2.240	0.630	4.490	4.000	0.750	1.140	3.270	3.270	5.830	2.140	1.220	0.689	4.6	
1-15/16, 2S	3 Thru 18TWS200FH	2.160	2.330	0.630	4.490	4.000	0.750	1.140	3.270	3.380	6.030	2.200	1.283	0.689	4.8	
2, 2-3/16, 2-1/4	9 Thru 18TWS200JK	2.440	2.560	0.750	5.750	5.126	0.980	1.380	4.020	3.740	6.890	2.580	1.319	1.063	8.3	
2-7/16	9 Thru 18TWS200JK	2.680	2.950	0.750	5.750	5.126	1.260	1.380	4.020	4.020	7.800	2.910	1.528	1.063	8.8	

Part Numbers are specified by "WSTU250UR" and Bore Size. Example: WSTU250UR x 3/4.

§ Take-Up Units with narrower slots are shown on page M-24.  
T-Zerk: 1/4-28 Taper

For replacement inserts use B250R Bearing Inserts

For Load Ratings, see page N-3

Dimensions shown are for reference only.

DOWNLOAD AVAILABLE CAD MODELS AT: WWW.HUBCITYINC.COM

Certified prints are available upon request

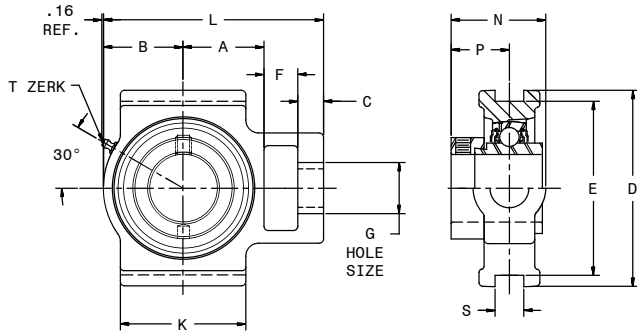
CALL: (605) 225-0360 • FAX: (605) 225-0567

# Hub City DuraLine® Bearing Units

## Wide Slot Take-Up Units

### Series WSTU220URW, WSTU250URW

#### WSTU220URW Wide Slot Take-Up Units



#### Features

- Relube type. Prelubricated at factory
- Eccentric locking collar
- Self-aligning replaceable bearing
- Nitrile rubber seals with steel trash guard
- Precision bored Cast Iron housing

NOTE: BEARINGS WITH ECCENTRIC LOCKING COLLARS ARE NOT RECOMMENDED FOR USE IN REVERSING APPLICATIONS.

SHAFT SIZE	USE WITH FRAME NO.	DIMENSIONS												WT. LBS.	
		A	B	C	D	E	F	G	J	K	L	N	P		SS
3/4	3 Thru 9TWS200BC	1.330	1.340	0.400	3.500	3.000	0.630	0.750	2.000	2.000	3.860	1.680	1.049	1.220	1.6
7/8, 1	3 Thru 9TWS200BC	1.410	1.380	0.400	3.500	3.000	0.630	0.750	2.000	2.000	3.980	1.690	1.061	1.220	1.9
1-1/8, 1-3/16, 1-1/4S	3 Thru 12TWS200DE	1.730	1.690	0.400	4.020	3.504	0.750	0.870	2.200	2.250	4.610	1.920	1.187	1.406	2.5
1-1/4, 1-3/8, 1-7/16	3 Thru 12TWS200DE	1.930	2.010	0.510	4.020	3.504	0.750	0.870	2.520	2.520	5.240	2.000	1.274	1.531	2.9
1-1/2	3 Thru 18TWS200FH	2.120	2.170	0.630	4.490	4.000	0.750	1.140	3.270	3.270	5.830	2.340	1.376	0.689	4.1
1-5/8, 1-3/4, 1-11/16	3 Thru 18TWS200FH	2.050	2.240	0.630	4.490	4.000	0.750	1.140	3.270	3.270	5.830	2.340	1.376	0.689	4.6
1-15/16, 2S	3 Thru 18TWS200FH	2.160	2.330	0.630	4.490	4.000	0.750	1.140	3.270	3.380	6.030	2.470	1.500	0.689	4.8
2, 2-3/16, 2-1/4	9 Thru 18TWS200JK	2.440	2.560	0.750	5.750	5.126	0.980	1.380	4.020	3.740	6.890	2.980	1.717	1.063	8.3
2-7/16	9 Thru 18TWS200JK	2.680	2.950	0.750	5.750	5.126	1.260	1.380	4.020	4.020	7.800	3.110	1.844	1.063	8.8

Part Numbers are specified by "WSTU220URW" and Bore Size. Example: WSTU220URW x 3/4.

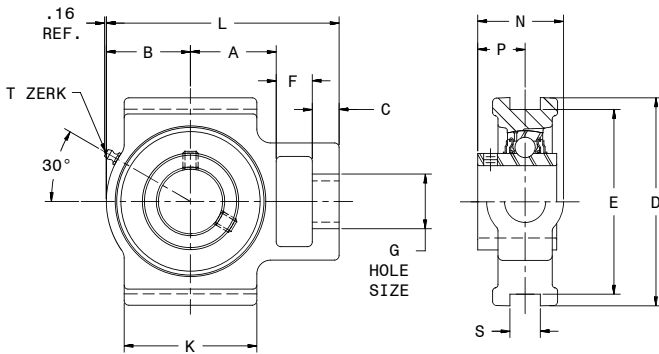
§ Take-Up Units with narrower slots are shown on page M-39.

For Load Ratings, see page N-3.

T-Zerk: 1/4-28 Taper

For replacement inserts, use B220RW

### WSTU250URW Wide Slot Take-Up Units



#### Features

- Relube type. Prelubricated at factory
- Setscrew locking
- Self-aligning replaceable bearing
- Nitrile rubber seals with steel trash guard
- Precision bored Cast Iron housing

SHAFT SIZE	USE WITH FRAME NO.	DIMENSIONS												WT. LBS.	
		A	B	C	D	E	F	G	J	K	L	N	P		SS
3/4, 20mm	3 Thru 9TWS200BC	1.330	1.340	0.400	3.500	3.000	0.630	0.750	2.000	2.000	3.860	1.350	0.720	1.220	1.6
7/8, 1, 25mm	3 Thru 9TWS200BC	1.410	1.380	0.400	3.500	3.000	0.630	0.750	2.000	2.000	3.980	1.410	0.776	1.220	1.9
1-1/8, 1-3/16, 1-1/4S, 30mm	3 Thru 12TWS200DE	1.730	1.690	0.400	4.020	3.504	0.750	0.870	2.200	2.250	4.610	1.600	0.874	1.406	2.5
1-1/4, 1-3/8, 1-7/16, 35mm	3 Thru 12TWS200DE	1.930	2.010	0.510	4.020	3.504	0.750	0.870	2.520	2.520	5.240	1.730	1.000	1.531	2.9
1-1/2, 40mm	3 Thru 18TWS200FH	2.120	2.170	0.630	4.490	4.000	0.750	1.140	3.270	3.270	5.830	2.150	1.189	0.689	4.1
1-5/8, 1-3/4, 1-11/16, 45mm	3 Thru 18TWS200FH	2.050	2.240	0.630	4.490	4.000	0.750	1.140	3.270	3.270	5.830	2.150	1.189	0.689	4.6
1-15/16, 2S, 50mm	3 Thru 18TWS200FH	2.160	2.330	0.630	4.490	4.000	0.750	1.140	3.270	3.380	6.030	2.250	1.283	0.689	4.8
2, 2-3/16, 2-1/4, 55mm	9 Thru 18TWS200JK	2.440	2.560	0.750	5.750	5.126	0.980	1.380	4.020	3.740	6.890	2.580	1.315	1.063	8.3
2-7/16, 60mm	9 Thru 18TWS200JK	2.680	2.950	0.750	5.750	5.126	1.260	1.380	4.020	4.020	7.800	2.820	1.563	1.063	8.8

Part Numbers are specified by "WSTU250URW" and Bore Size.

Example: WSTU250 x 3/4.

§ Take-Up Units with narrower slots are shown on page N-18.

T-Zerk: 1/4-28 Taper

For Load Ratings, see page N-3

For replacement inserts, use B250RW

Dimensions shown are for reference only.

DOWNLOAD AVAILABLE CAD MODELS AT: [WWW.HUBCITYINC.COM](http://WWW.HUBCITYINC.COM)

Certified prints are available upon request

EMAIL: [hubsales@regalbeloit.com](mailto:hubsales@regalbeloit.com) • [www.hubcityinc.com](http://www.hubcityinc.com)



# Hub City DuraLine® Bearing Units

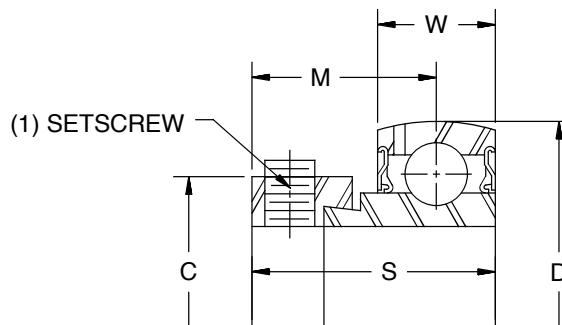
## Bearing Inserts

### Series B220R, B250R

#### B220R Bearing Inserts

#### Features

- Spherical outside diameter
- Relube type. Prelubricated at factory
- Steel retainer
- Nitrile rubber seals with steel trash guard
- Eccentric locking collar



NOTE: BEARINGS WITH ECCENTRIC LOCKING COLLARS ARE NOT RECOMMENDED FOR USE IN REVERSING APPLICATIONS.

SHAFT SIZE	DIMENSIONS						WT. LBS.
	C	D	M	S	W	SETSCREW	
1/2, 5/8	1.102	1.5748	0.889	1.126	0.472	1/4 - 28 UNF	0.2
3/4	1.299	1.8504	0.945	1.220	0.551	1/4 - 28 UNF	0.3
7/8, 1	1.476	2.0472	0.925	1.220	0.591	1/4 - 28 UNF	0.4
1-1/8, 1-3/16, 1-1/4S	1.732	2.4409	1.091	1.406	0.629	1/4 - 28 UNF	0.6
1-1/4, 1-3/8, 1-7/16	2.165	2.8346	1.197	1.531	0.669	5/16 - 24 UNF	1.0
1-1/2	2.283	3.1496	1.366	1.720	0.709	5/16 - 24 UNF	1.3
1-5/8, 1-3/4, 1-11/16	2.480	3.3465	1.346	1.720	0.748	5/16 - 24 UNF	1.6
1-7/8, 1-15/16, 2S	2.717	3.5433	1.327	1.720	0.787	3/8 - 24 UNF	1.7
2, 2-3/16	2.992	3.9370	1.492	1.906	0.827	3/8 - 24 UNF	2.4
2-1/4, 2-7/16	3.311	4.3307	1.504	1.937	0.866	3/8 - 24 UNF	3.0

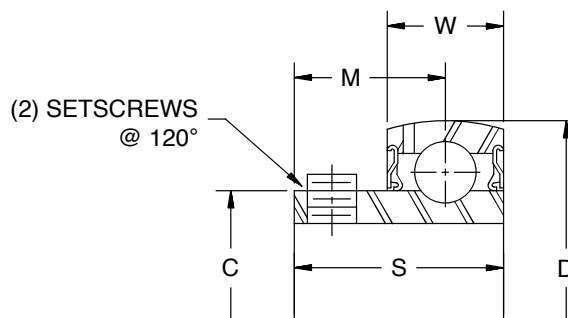
Part Numbers are specified by "B220R" and Bore Size. Example B220R x 1-1/4.

Used in PB220UR, PB221UR Pillow Blocks; FB220UR, FB230UR Flange Blocks; and TU220UR, WSTU220UR Take-Up Units.

#### B250R Bearing Inserts

#### Features

- Spherical outside diameter
- Relube type. Prelubricated at factory
- Steel retainer
- Nitrile rubber seals with steel trash guard
- Setscrew Locking



SHAFT SIZE	DIMENSIONS						WT. LBS.
	C	D	M	S	W	SETSCREW	
1/2, 5/8	0.921	1.5748	0.629	0.866	0.472	1/4 - 28 UNF	0.2
3/4	1.142	1.8504	0.709	0.984	0.551	1/4 - 28 UNF	0.3
7/8, 1	1.339	2.0472	0.768	1.063	0.591	1/4 - 28 UNF	0.4
1-1/8, 1-3/16, 1-1/4S	1.587	2.4409	0.866	1.181	0.629	1/4 - 28 UNF	0.6
1-1/4, 1-3/8, 1-7/16	1.889	2.8346	0.925	1.259	0.669	5/16 - 24 UNF	1.0
1-1/2	2.087	3.1496	0.984	1.339	0.709	5/16 - 24 UNF	1.3
1-5/8, 1-3/4, 1-11/16	2.252	3.3465	1.220	1.622	0.748	5/16 - 24 UNF	1.6
1-7/8, 1-15/16, 2S	2.433	3.5433	1.283	1.713	0.787	3/8 - 24 UNF	1.7
2, 2-3/16	2.717	3.9370	1.319	1.783	0.827	3/8 - 24 UNF	2.4
2-1/4, 2-7/16	2.949	4.3307	1.528	2.114	0.866	3/8 - 24 UNF	3.0

Part Numbers are specified by "B250R" and Bore Size. Example B250R x 1-1/4.

Used in PB100UR, PB100URL, PB150UR, PB150URL, PB250UR, PB251UR, TPB250UR Pillow Blocks; FB100UR, FB110UR, FB150UR, FB160UR, FB250UR, FB260UR Flange Blocks; and TU250UR, WSTU250UR Take-Up Units.

Dimensions shown are for reference only.

DOWNLOAD AVAILABLE CAD MODELS AT: [WWW.HUBCITYINC.COM](http://WWW.HUBCITYINC.COM)

**Certified prints are available upon request**

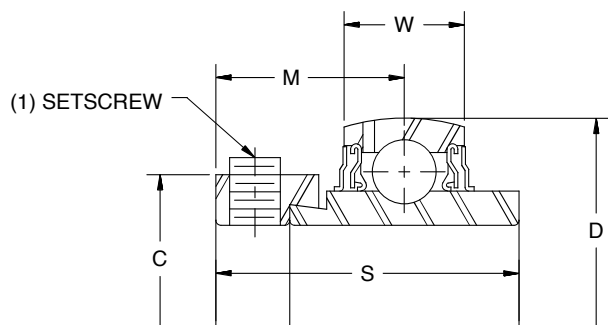
CALL: (605) 225-0360 • FAX: (605) 225-0567

# Hub City DuraLine® Bearing Units

## Bearing Inserts

### Series B220RW, B250RW

#### B220RW Bearing Inserts



#### Features

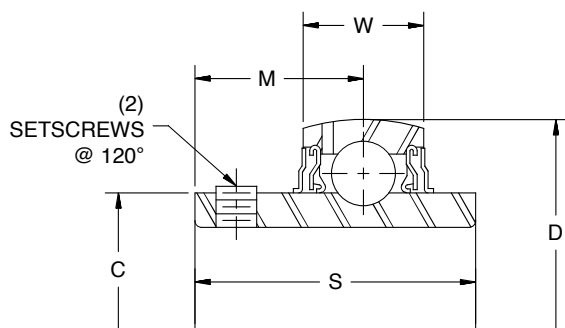
- Spherical outside diameter
- Relube type. Prelubricated at factory
- Steel retainer
- Nitrile rubber seals with steel trash guard
- Metal flingers
- Eccentric locking collar
- Wide inner race

SHAFT SIZE	DIMENSIONS						WT. LBS.
	C	D	M	S	W	SETSCREW	
3/4	1.299	1.8504	1.049	1.720	0.629	1/4 - 28 UNF	0.3
7/8, 1	1.476	2.0472	1.061	1.748	0.669	1/4 - 28 UNF	0.4
1-1/8, 1-3/16, 1-1/4S	1.732	2.4409	1.187	1.906	0.748	5/16 - 24 UNF	0.6
1-1/4, 1-3/8, 1-7/16	2.165	2.8346	1.274	2.016	0.787	5/16 - 24 UNF	1.0
1-1/2	2.283	3.1496	1.376	2.220	0.827	5/16 - 24 UNF	1.3
1-5/8, 1-3/4, 1-11/16	2.480	3.3465	1.376	2.220	0.866	5/16 - 24 UNF	1.6
1-7/8, 1-15/16, 2S	2.717	3.5433	1.500	2.469	0.906	5/16 - 24 UNF	1.7
2, 2-3/16	2.992	3.9370	1.717	2.811	0.984	3/8 - 24 UNF	2.4
2-1/4, 2-7/16	3.311	4.3307	1.844	3.063	1.063	3/8 - 24 UNF	3.0

Part Numbers are specified by "B220RW" and Bore Size. Example B220RW x 1-1/4.

Used in PB220DRW, PB221DRW, TPB220URW Pillow Blocks; FB230DRW, FB220DRW Flange Blocks; and TU220URW, WSTU220URW Take-Up Units.

### B250RW Bearing Inserts



#### Features

- Spherical outside diameter
- Relube type. Prelubricated at factory
- Steel retainer
- Nitrile rubber seals with steel trash guard
- Metal flingers
- Setscrew locking
- Wide inner race

SHAFT SIZE	DIMENSIONS						WT. LBS.
	C	D	M	S	W	SETSCREW	
1/2L, 5/8L, 3/4, 20mm	1.142	1.8504	0.720	1.220	0.629	1/4 - 28 UNF	0.3
7/8, 1, 25mm	1.339	2.0472	0.776	1.339	0.669	1/4 - 28 UNF	0.4
1-1/8, 1-3/16, 1-1/4S, 30mm	1.591	2.4409	0.874	1.500	0.748	1/4 - 28 UNF	0.6
1-1/4, 1-3/8, 1-7/16, 35mm	1.866	2.8346	1.000	1.689	0.787	5/16 - 24 UNF	1.0
1-1/2, 40mm	2.075	3.1496	1.189	1.937	0.827	5/16 - 24 UNF	1.3
1-5/8, 1-3/4, 1-11/16, 45mm	2.248	3.3465	1.189	1.937	0.866	5/16 - 24 UNF	1.6
1-7/8, 1-15/16, 2S, 50mm	2.465	3.5433	1.283	2.031	0.906	3/8 - 24 UNF	1.7
2, 2-3/16, 55mm	2.776	3.9370	1.315	2.189	0.984	3/8 - 24 UNF	2.4
2-1/4, 2-7/16, 60mm	3.059	4.3307	1.563	2.563	1.063	3/8 - 24 UNF	3.0
2-5/16	3.602	5.1181	1.752	3.063	1.181	7/16 - 20 UNF	4.9

Part Numbers are specified by "B250RW" and Bore Size. Example B250RW x 1-1/4.

Used in PB250DRW, PB251DRW, TPB250URW Pillow Blocks; FB260DRW, FB250DRW Flange Blocks; FC250URW Flange Cartridges; FR250URW Flange Brackets; and TU250URW, WSTU250URW Take-Up Units.

Dimensions shown are for reference only.

DOWNLOAD AVAILABLE CAD MODELS AT: [WWW.HUBCITYINC.COM](http://WWW.HUBCITYINC.COM)

**Certified prints are available upon request**

EMAIL: [hubsales@regalbeloit.com](mailto:hubsales@regalbeloit.com) • [www.hubcityinc.com](http://www.hubcityinc.com)





# Hub City DuraLine® Bearing Units

## Medium Duty

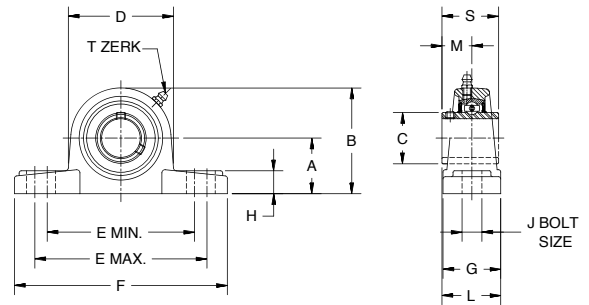
### Pillow Block - PB350DRW

#### Features

- Ductile Iron Housing
- Self-aligning replaceable bearing
- Pre-lubricated with lithium grease
- Steel retainers
- Anti-rotation pins
- Nitrile rubber seals with steel trash guards
- Precision bored housings
- Higher strength and greater impact resistance than gray iron for high shock loads



#### 300 SERIES PILLOW BLOCK



300 SERIES – PILLOW BLOCKS AND FLANGE BLOCKS – CAST IRON – SETSCREW LOCK														
PB350UR														
SHAFT SIZE	A	B	C	D	E MIN.	E MAX.	F	G	H	J	L	M	S	WT. LBS.
1	1.750	3.350	1.587	3.380	4.280	5.090	6.250	2.000	0.710	0.670	1.870	0.874	1.500	3.3
1-3/16, 1-1/4	1.875	3.700	1.890	3.810	4.600	5.400	6.880	2.250	0.790	0.670	2.120	1.000	1.937	4.0
1-3/8, 1-7/16	2.125	4.130	2.087	4.220	5.070	6.270	8.000	2.250	0.870	0.670	2.310	1.189	1.937	4.9
1-1/2	2.312	4.450	2.252	4.410	5.590	6.700	8.750	2.630	1.020	0.787	2.500	1.189	1.937	5.6
1-5/8, 1-3/4, 1-11/16	2.312	4.560	2.433	4.660	5.550	6.740	8.750	2.630	1.020	0.787	2.590	1.283	2.031	6.7
1-15/16, 2	2.500	4.960	2.717	5.130	6.020	7.440	9.500	2.880	1.060	0.787	2.750	1.315	2.189	8.5
2-3/16, 2-1/4	2.750	5.470	2.949	5.440	6.660	7.830	10.250	3.120	1.180	0.984	3.120	1.563	2.563	11.3
2-7/16, 2-1/2	3.000	6.060	3.406	6.090	7.210	8.770	11.250	3.250	1.260	0.984	3.380	1.748	2.937	15.2
2-11/16	3.500	6.770	3.602	6.560	7.960	10.070	13.000	3.500	1.380	1.063	3.500	1.752	3.063	17.9
2-15/16, 3	3.500	6.970	3.838	6.970	7.960	10.070	13.000	3.500	1.380	1.063	3.690	1.941	3.252	19.1
3-7/16, 3-1/2	4.000	7.950	4.370	7.560	9.770	12.510	15.000	4.000	1.650	1.063	4.217	2.217	3.780	28.4

To order, specify type and bore size. Example: PB350DRW x 1-7/16

For replacement inserts, use B350RW

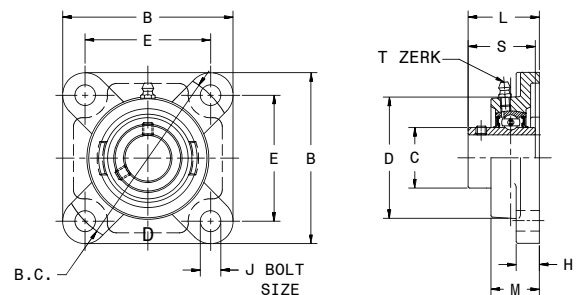
### Flange Block - FB350DRW

#### Features

- Ductile Iron Housing
- Self-aligning replaceable bearing
- Pre-lubricated with lithium grease
- Steel retainers
- Anti-rotation pins
- Nitrile rubber seals with steel trash guards
- Precision bored housings
- Higher strength and greater impact resistance than gray iron for high shock loads



#### 300 SERIES FLANGE BLOCK



FB350DRW											
SHAFT SIZE	B	B.C.	C	D	E	H	J	L	M	S	WT. LBS.
1	4.250	4.596	1.587	3.190	3.250	0.510	0.472	1.583	1.180	1.500	3.0
1-3/16, 1-1/4	4.610	5.125	1.890	3.620	3.625	0.560	0.630	1.748	1.340	1.937	4.2
1-3/8, 1-7/16	5.120	5.656	2.087	4.090	4.000	0.560	0.630	2.016	1.500	1.937	5.4
1-1/2	5.390	5.834	2.252	4.250	4.125	0.560	0.748	2.055	1.570	1.937	5.8
1-5/8, 1-3/4, 1-11/16	5.630	6.187	2.433	4.450	4.375	0.560	0.748	2.189	1.570	2.031	7.0
1-15/16, 2	6.380	7.250	2.717	4.920	5.125	0.790	0.748	2.339	1.730	2.189	9.2
2-3/16, 2-1/4	6.890	7.954	2.949	5.310	5.625	0.790	0.748	2.705	1.930	2.563	12.1
2-7/16, 2-1/2	7.360	8.308	3.406	6.100	5.875	0.830	0.748	3.087	2.320	2.937	15.4
2-11/16	7.750	8.485	3.602	6.380	6.000	0.940	0.906	3.209	2.360	3.063	18.3
2-15/16, 3	7.750	8.485	3.858	6.770	6.000	0.940	0.906	3.516	2.680	3.252	19.0
3-7/16, 3-1/2	8.420	9.546	4.370	7.680	6.750	0.940	0.906	3.791	2.750	3.780	22.2

DuraLine® Replacement Inserts Use B350RW  
Dimensions shown are for reference only.

For Load Ratings, See Page N-3  
T-Zerk: 1/4-28 Taper

To order, specify type and bore size.  
Example: FB350DRW x 1-7/16

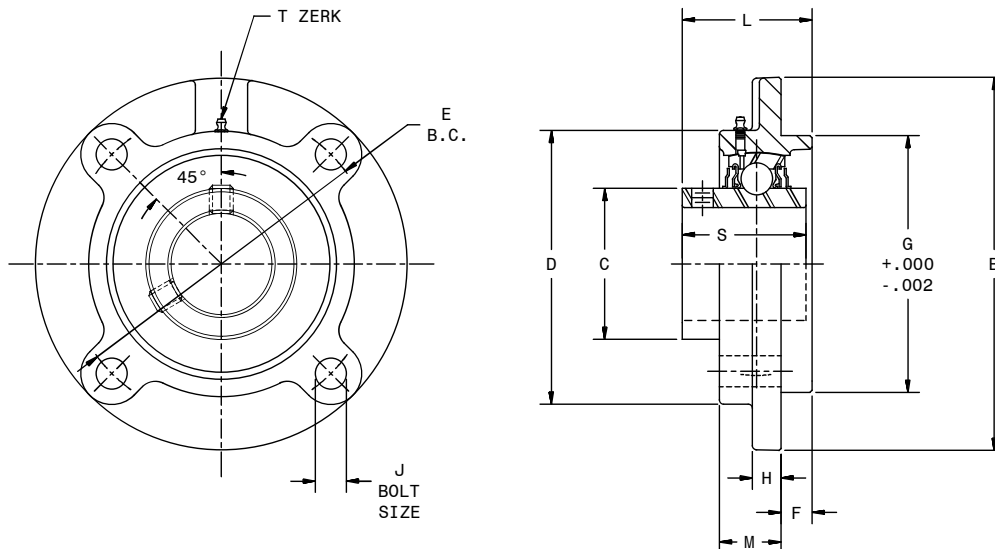
DOWNLOAD AVAILABLE CAD MODELS AT: [WWW.HUBCITYINC.COM](http://WWW.HUBCITYINC.COM)

**Certified prints are available upon request**

# Hub City DuraLine® Bearing Units

## Cast Iron Flange Cartridge

Series FC350URW



### Features

- Relube type. Prelubricated at factory
- Setscrew locking
- Self-aligning replacement bearing
- Nitrile rubber seals with steel trash guard
- Precision bored Cast Iron Housing
- Wide inner ring

SHAFT SIZE	DIMENSIONS											WT. LBS.
	B	C	D	E	F	G	H	J	L	M	S	
1	4.370	1.587	3.250	3.622	0.250	3.000	0.370	0.374	1.520	0.940	1.268	3.3
1-3/16, 1-1/4	5.000	1.890	3.620	4.134	0.370	3.374	0.370	0.472	1.680	0.870	1.315	3.3
1-3/8, 1-7/16	5.280	2.087	3.880	4.370	0.440	3.622	0.430	0.472	1.980	0.870	1.543	3.9
1-1/2	6.100	2.252	4.250	5.118	0.430	4.252	0.470	0.551	1.980	1.020	1.405	4.1
1-5/8, 1-3/4, 1-11/16	6.130	2.433	4.500	5.118	0.470	4.252	0.430	0.551	2.070	0.980	1.598	5.5
1-15/16, 2	6.380	2.717	4.880	5.394	0.630	4.500	0.510	0.551	2.140	0.980	1.590	6.1
2-3/16, 2-1/4	7.090	2.949	5.380	5.984	0.870	5.000	0.630	0.630	2.590	1.020	1.720	8.9
2-7/16, 2-1/2	7.640	3.406	6.000	6.496	0.780	5.500	0.560	0.630	2.960	1.300	2.181	11.3
2-11/16	8.740	3.602	6.380	7.500	0.780	6.378	0.560	0.748	3.080	1.420	2.303	15.4
2-15/16, 3	8.740	3.853	6.620	7.500	0.870	6.378	0.630	0.748	3.280	1.380	2.413	15.2
3-7/16, 3-1/2	10.240	4.370	7.500	8.622	1.000	7.374	0.750	0.906	3.610	1.420	2.610	22.5

Part Numbers are specified by "FC350" and Bore Size. Example: FC350URW x 1-1/2

For Load Ratings, see page N-3

T-Zerk: 1/4-28 Taper

For replacement inserts use B350RW Bearing Inserts

DOWNLOAD AVAILABLE CAD MODELS AT: [WWW.HUBCITYINC.COM](http://WWW.HUBCITYINC.COM)

**Certified prints are available upon request**

EMAIL: [hubsales@regalbeloit.com](mailto:hubsales@regalbeloit.com) • [www.hubcityinc.com](http://www.hubcityinc.com)



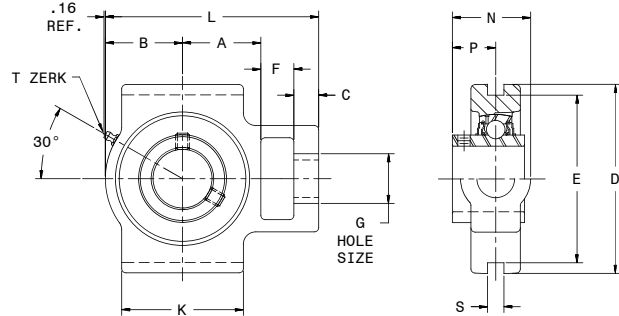
# Hub City DuraLine® Bearing Units

## Medium Duty Take-Up Units

### Series TU350URW

#### Features

- Relube type. Prelubricated at factory
- Setscrew locking
- Self-aligning replacement bearing
- Nitrile rubber seals with steel trash guard
- Precision bored Cast Iron housing



SHAFT SIZE	USE WITH FRAME NO. ★	DIMENSIONS													WT. LBS.
		A	B	C	D	E	F	G	J	K	L	N	P	S§	
1	3 Thru 12T200DE	1.610	1.580	0.510	4.020	3.504	0.630	0.870	2.130	2.360	4.680	1.680	0.874	0.311	3.0
1-3/16, 1-1/4	3 Thru 12T200DE	1.690	1.700	0.510	4.020	3.504	0.750	0.870	2.130	2.640	5.000	1.810	1.000	0.311	3.5
1-3/8, 1-7/16	3 Thru 18T200FH	1.890	1.850	0.630	4.490	4.000	0.750	1.140	2.640	2.950	5.470	2.100	1.189	0.311	4.0
1-1/2	3 Thru 18T200FH	2.050	2.000	0.630	4.490	4.000	0.750	1.140	2.640	3.110	5.780	2.100	1.189	0.311	4.8
1-5/8, 1-3/4, 1-11/16	3 Thru 18T200FH	2.200	2.130	0.630	4.490	4.000	0.750	1.140	2.640	3.310	6.060	2.190	1.283	0.311	6.8
1-15/16, 2	9 Thru 18T200JK	2.380	2.330	0.750	5.750	5.126	1.000	1.380	3.270	3.700	6.810	2.380	1.315	0.311	9.6
2-3/16, 2-1/4	9 Thru 18T200JK	2.380	2.870	0.750	5.750	5.126	1.000	1.380	3.270	4.060	7.670	2.630	1.563	0.311	12.0

Part Numbers are specified by "TU350URW" and Bore Size. Example: TU350URW x 2-1/4.

T-Zerk: 1/4-28 Taper

For replacement inserts use B350RW Bearing Inserts.

★ Take-Up Frames shown on page M-33.

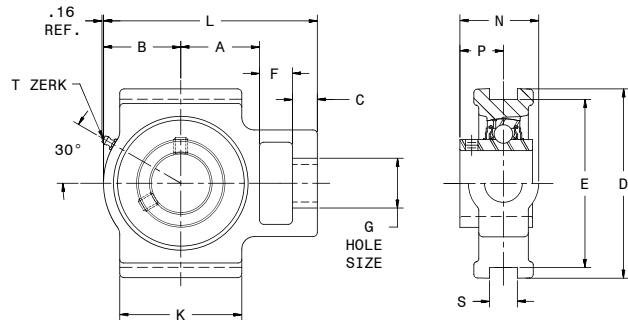
For Load Ratings, see page N-3.

## Medium Duty Wide Slot Take-Up Units

### Series WSTU350URW

#### Features

- Relube type. Prelubricated at factory
- Setscrew locking
- Self-aligning replacement bearing
- Nitrile rubber seals with steel trash guard
- Precision bored Cast Iron housing



SHAFT SIZE	USE WITH FRAME NO. ★	DIMENSIONS													WT. LBS.
		A	B	C	D	E	F	G	J	K	L	N	P	S§	
1	3 Thru 12TWS200DE	1.730	1.690	0.400	4.020	3.504	0.630	0.870	2.200	2.250	4.610	1.610	0.874	0.531	3.0
1-3/16, 1-1/4	3 Thru 12TWS200DE	1.930	2.010	0.510	4.020	3.504	0.630	0.870	2.520	2.520	5.240	1.730	1.000	0.531	3.5
1-3/8, 1-7/16	3 Thru 18TWS200FH	2.120	2.170	0.630	4.490	4.000	0.750	1.140	3.270	3.270	5.830	2.160	1.189	0.689	4.0
1-1/2	3 Thru 18TWS200FH	2.050	2.240	0.630	4.490	4.000	0.750	1.140	3.270	3.270	5.830	2.160	1.189	0.689	4.8
1-5/8, 1-3/4, 1-11/16	3 Thru 18TWS200FH	2.160	2.330	0.630	4.490	4.000	0.750	1.140	3.270	3.380	6.030	2.250	1.283	0.689	6.8
1-15/16, 2	9 Thru 18TWS200JK	2.440	2.560	0.750	5.750	5.126	0.980	1.380	4.020	3.740	6.890	2.580	1.315	1.063	9.6
2-3/16, 2-1/4	9 Thru 18TWS200JK	2.680	2.950	0.750	5.750	5.126	1.260	1.380	4.020	4.020	7.800	2.820	1.563	1.063	12.0
2-7/16, 2-1/2	----	3.310	3.420	0.830	6.570	5.945	1.260	1.620	4.370	4.760	8.980	2.940	1.563	1.063	16.0

Part Numbers are specified by "WSTU350URW" and Bore Size. Example: WSTU350URW x 2-1/4.

T-Zerk: 1/4-28 Taper

For replacement inserts use B350RW Bearing Inserts, see page M-35.

★ Take-Up Frames shown on page M-34.

For Load Ratings, see page N-3.

Dimensions shown are for reference only.

DOWNLOAD AVAILABLE CAD MODELS AT: [WWW.HUBCITYINC.COM](http://WWW.HUBCITYINC.COM)

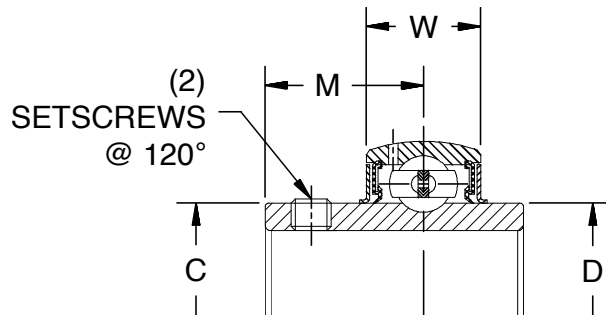
Certified prints are available upon request

CALL: (605) 225-0360 • FAX: (605) 225-0567

# Hub City DuraLine® Bearing Units

## Bearing Inserts

### Series B350RW



#### Features

- Spherical outside diameter
- Relube type. Prelubricated at factory
- Steel retainer
- Nitrile rubber seals with steel flingers
- Setscrew locking
- Medium duty
- Wide inner ring

SHAFT SIZE	DIMENSIONS						WT. LBS.
	C	D	M	S	W	SETSCREW	
1	1.5870	2.4409	0.8740	1.5000	0.7480	1/4 - 28 UNF	1.0
1-3/16, 1-1/4	1.8900	2.8346	1.0000	1.6890	0.7870	1/4 - 28 UNF	1.3
1-3/8, 1-7/16	2.0870	3.1496	1.1890	1.9370	0.8270	5/16 - 24 UNF	1.6
1-1/2	2.2520	3.3465	1.1890	1.9370	0.8660	5/16 - 24 UNF	1.9
1-5/8, 1-3/4, 1-11/16	2.4330	3.5433	1.2830	2.0310	0.9060	5/16 - 24 UNF	2.2
1-15/16, 2	2.7170	3.9370	1.3150	2.1890	0.9840	3/8 - 24 UNF	2.6
2-3/16, 2-1/4	2.9490	4.3307	1.5630	2.5630	1.0630	3/8 - 24 UNF	3.1
2-7/16, 2-1/2	3.4060	4.9213	1.7480	2.9370	1.1410	7/16 - 20 UNF	5.1
2-11/16	3.6020	5.1181	1.7520	3.0630	1.1810	7/16 - 20 UNF	5.6
2-15/16, 3	3.8580	5.5118	1.9410	3.2520	1.2600	7/16 - 20 UNF	6.4
3-7/16, 3-1/2	4.3700	6.2992	2.2160	3.7800	1.4570	7/16 - 20 UNF	8.5

Part Numbers are specified by "B350RW" and Bore Size. Example: B350RW x 1-1/2.

Used in PB350DRW Pillow Blocks; FB350DRW Flange Blocks; FC350URW Flange Cartridges; and TU350URW, WSTU350URW Take-Up Units.

Dimensions shown are for reference only.

# Hub City DuraLine® Bearing Units

## Quick Reference Competitor Product Interchange Guide

**TO USE THIS GUIDE:** 1. LOCATE THE COMPETITOR'S PREFIX IN THE APPROPRIATE COLUMN. FOLLOW THE LINE LEFT TO READ THE DURALINE PREFIX LOCATED ON THE SAME LINE. 2. LOCATE THE COMPETITORS SUFFIX IN THE APPROPRIATE COLUMN. FOLLOW THE LINE LEFT TO READ THE CORRECT DURALINE SIZE. 3. COMBINE DURALINE PREFIX AND SIZE FOR PROPER ORDERING INFORMATION.

### Normal Duty Pillow Blocks

	DuraLine	AMI	FYH	IPTCI	PEER	SST
PREFIX	PB220UR	KHLP	EASL	SAPL	FHLP	SAAK
	PB220DRW		NAPK	NAPL	HCLP	HCAK
	PB221URz	KHP	EAP	SAP	FHP	SAP
	PB221DRW	UGP	NAP	NAP	HCP	HCP
	PB250UR		EBSL	SBPL	FHSLP	SBAK
	PB250DRW	UCLP	SL	UCPL	UCLP	UCAK
	PB251UR		SBP	SBP	FHSP	SBP
	PB251DRW	UCP	UCP	UCP	UCP	UCP
	TPB250UR			SBPA		
	TPB250DRW	UCTB	UCPAN	UCPA	UCPA	UCPA
SIZE / SUFFIX	1/2	201-8	201-8	201-8	201-8	201-8
	5/8	202-10	202-10	202-10	202-10	202-10
	3/4	204-12	204-12	204-12	204-12	204-12
	7/8	205-14	205-14	205-14	205-14	205-14
	1	205-16	205-16	205-16	205-16	205-16
	1-1/8	206-18	206-18	206-18	206-18	206-18
	1-3/16	206-19	206-19	206-19	206-19	206-19
	1-1/4S	206-20	206-20	206-20	206-20	206-20
	1-1/4	207-20	207-20	207-20	207-20	207-20
	1-3/8	207-22	207-22	207-22	207-22	207-22
	1-7/16	207-23	207-23	207-23	207-23	207-23
	1-1/2	208-24	208-24	208-24	208-24	208-24
	1-5/8	209-26	209-26	209-26	209-26	209-26
	1-11/16	209-27	209-27	209-27	209-27	209-27
	1-3/4	209-28	209-28	209-28	209-28	209-28
	1-7/8	210-30	210-30	210-30	210-30	210-30
	1-15/16	210-31	210-31	210-31	210-31	210-31
	2S	210-32	210-32	210-32	210-32	210-32
	2	211-32	211-32	211-32	211-32	211-32
	2-3/16	211-35	211-35	211-35	211-35	211-35
2-7/16	212-39	212-39	212-39	212-39	212-39	
2-15/16	215-47	215-47	215-47	215-47	215-47	

### Normal Duty Flange Blocks & Flange Brackets

	DuraLine	AMI	FYH	IPTCI	PEER	SST
PREFIX	FB220UR	KHF	EAF	SAF	FHF	SAF-S
	FB220DRW		NANF	NANF	HCFS	HCFS
	FB230UR	KHFT	EAF	SAFL	FHFT	SAFT
	FB230DRW	UGJFT	NANFL	NANFL	HCFTS	HCFT
	FB250UR		EBF	SBF	FHSF	SBF-S
	FB250DRW	UCF		UCF	UCF	UCF
	FB260UR		EBFL	SBFL	FHFST	SBFT
	FB260DRW	UCFT	UCFL	UCFL	UCFT	UCFT
	FR250URW	UCFB	UCFB	UCFB	UCFB	UCFB
SIZE / SUFFIX	1/2	201-8	201-8	201-8	201-8	201-8
	5/8	202-10	202-10	202-10	202-10	202-10
	3/4	204-12	204-12	204-12	204-12	204-12
	7/8	205-14	205-14	205-14	205-14	205-14
	1	205-16	205-16	205-16	205-16	205-16
	1-1/8	206-18	206-18	206-18	206-18	206-18
	1-3/16	206-19	206-19	206-19	206-19	206-19
	1-1/4S	206-20	206-20	206-20	206-20	206-20
	1-1/4	207-20	207-20	207-20	207-20	207-20
	1-3/8	207-22	207-22	207-22	207-22	207-22
	1-7/16	207-23	207-23	207-23	207-23	207-23
	1-1/2	208-24	208-24	208-24	208-24	208-24
	1-5/8	209-26	209-26	209-26	209-26	209-26
	1-11/16	209-27	209-27	209-27	209-27	209-27
	1-3/4	209-28	209-28	209-28	209-28	209-28
	1-7/8	210-30	210-30	210-30	210-30	210-30
	1-15/16	210-31	210-31	210-31	210-31	210-31
	2S	210-32	210-32	210-32	210-32	210-32
	2	211-32	211-32	211-32	211-32	211-32
	2-3/16	211-35	211-35	211-35	211-35	211-35
2-7/16	212-39	212-39	212-39	212-39	212-39	
2-15/16	215-47	215-47	215-47	215-47	215-47	

### Light Duty Flange Blocks

	DuraLine	AMI	FYH	IPTCI	PEER	SST
PREFIX	FB100UR				FHFS3X	SBFCT
	FB150UR	BTM		SBRFB	FHFS3X-G	SBFCT-G
	FB110UR			SBFL_-H4	FHSFX	SBFTD
	FB160UR	BFX	BLF	SBLF_-GH4	FHSFX-G	SBFTD-G
SIZE / SUFFIX	1/2	201-8	201-8	201-8	201-8	201-8
	5/8	202-10	202-10	202-10	202-10	202-10
	3/4	204-12	204-12	204-12	204-12	204-12
	7/8	205-14	205-14	205-14	205-14	205-14
	1	205-16	205-16	205-16	205-16	205-16
	1-1/8	206-18	206-18	206-18	206-18	206-18
	1-3/16	206-19	206-19	206-19	206-19	206-19
	1-1/4S	206-20	206-20	206-20	206-20	206-20
	1-1/4	207-20	207-20	207-20	207-20	207-20
	1-3/8	207-22	207-22	207-22	207-22	207-22
	1-7/16	207-23	207-23	207-23	207-23	207-23

### Medium Duty Pillow Blocks & Flange Blocks

	DuraLine	AMI	FYH	IPTCI	PEER	SST
PX	PB350UR	UCP	UCP	UCP	UCP	UCP
	FB350UR	UCF	UCF	UCF	UCF	UCF
SIZE / SUFFIX	1	X05-16	X05-16	X05-16	X05-16	X05-16
	1-7/16	X07-23	X07-23	X07-23	X07-23	X07-23
	1-1/2	X08-24	X08-24	X08-24	X08-24	X08-24
	1-3/4	X09-28	X09-28	X09-28	X09-28	X09-28
	1-15/16	X10-31	X10-31	X10-31	X10-31	X10-31
	2	X11-32		X11-32	X11-32	X11-32
	2-3/16	X11-35	X11-35	X11-35	X11-35	X11-35
	2-7/16	X12-39	X12-39	X12-39	X12-39	X12-39
	2-1/2	X13-40	X13-40	X13-40	X13-40	X13-40
	2-11/16	X14-43	X14-43	X14-43	X14-43	X14-43
	2-15/16	X15-47	X15-47	X15-47	X15-47	X15-47
	3	X15-48	X15-48	X15-48	X15-48	X15-48
	3-7/16	X17-55	X17-55	X17-55	X17-55	X17-55
	3-1/2	X18-56	X18-56	X18-56	X18-56	X18-56

NOTE: ABOVE GUIDE IS DESIGNED FOR QUICK REFERENCE ONLY. PLEASE REVIEW AND CONFIRM ALL CRITICAL DIMENSIONS BEFORE PLACING YOUR ORDER. NOT ALL CONFIGURATIONS ARE AVAILABLE IN EACH SIZE LISTED. CONFIRM AVAILABILITY IN CATALOG DIMENSIONAL PAGES.

#### DURALINE NOMENCLATURE GUIDE:

PB: PILLOW BLOCK  
 FB: FLANGE BLOCK  
 FR: FLANGE CARTRIDGE  
 100 SERIES: LIGHT DUTY SETSCREW LOCK  
 220: SERIES NORMAL DUTY ECCENTRIC LOCK  
 221 SERIES NORMAL DUTY ECCENTRIC LOCK -HIGH BASE  
 230 SERIES: NORMAL DUTY ECCENTRIC LOCK -2 BOLT FLANGE

250 SERIES: NORMAL DUTY SETSCREW LOCK  
 251 SERIES: NORMAL DUTY SETSCREW LOCK-HIGH BASE  
 260 SERIES: NORMAL DUTY SETSCREW LOCK - 2 BOLT FLANGE  
 350 SERIES: MEDIUM DUTY SETSCREW LOCK  
 UR: CAST IRON DURALINE HOUSING (100 SERIES IS DUCTILE)  
 DR: DUCTILE IRON DURALINE HOUSING  
 W: WIDE INNER RACE

DOWNLOAD AVAILABLE CAD MODELS AT: [WWW.HUBCITYINC.COM](http://WWW.HUBCITYINC.COM)

**Certified prints are available upon request**

# Hub City CleanLine™ Bearing Units

CleanLine™ Features.....	O-2
CleanLine UltraPlus™ Stainless Steel Mounted Bearings.....	O-3 to O-6
CleanLine Plus™ Thermoplastic Composite Mounted Bearings.....	O-7 to O-8
Stainless Steel Bearing Inserts.....	O-9
Thermoplastic Composite Housing Load Ratings.....	O-10
Mounted Bearing Accessories .....	O-11 to O-13

**Over 50 NEW items in this section!**

# Hub City CleanLine™ Bearing Units

## CleanLine UltraPlus™ Stainless Steel Mounted Bearings - Ultimate Solutions

### Features:

- 304 Stainless Steel Housing
- 440 Stainless Steel Rings and Balls
- 302 Stainless Steel Flingers and Retainers
- Factory Filled with USDA H1 Lubricant
- Machine Polished to NSF/3-A or Industry Approved Standards
- Bore Sizes Up to 1.9375
- HACCP Compatible



## CleanLine Plus™ Thermoplastic Composite Mounted Bearings - Intermediate Solutions

### Features:

- Ultradur® Glass Reinforced PBT Thermoplastic Housings
- 440 Stainless Steel Rings and Balls
- 302 Stainless Steel Flingers and Retainers
- Factory Filled with USDA H1 Lubricant
- Smooth Surface for Easy Cleaning
- Bore Sizes Up to 1.5"



DOWNLOAD AVAILABLE CAD MODELS AT: [WWW.HUBCITYINC.COM](http://WWW.HUBCITYINC.COM)

**Certified prints are available upon request**

CALL: (605) 225-0360 • FAX: (605) 225-0567



# Hub City CleanLine™ Bearing Units

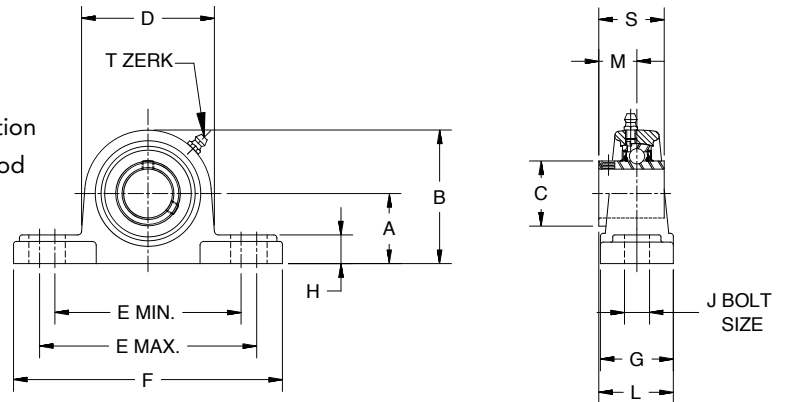
## CleanLine UltraPlus™ and Pharmaceutical Stainless Steel Mounted Bearings



### Series PB251STW - Pillow Block

#### Features:

- 440 Stainless Steel Rings and Balls
- 302 Stainless Steel Flingers and Retainers
- Setscrew Lock - Wide Inner Ring
- Factory Filled USDA H1 Lubricant Meets FDA Regulation 178.3570 Requirement for Incidental Contact with Food
- 304 Stainless Steel Setscrews
- Anti Rotation Pin
- 304 Stainless Steel Housing
- No Ribs Undercuts or Protrusions - Easier to Clean
- Stainless Steel Grease Fittings
- Grooved for Composite Dust Caps on One Side, See Page O-13



SHAFT SIZE	A	B	C	D	E MIN.	E MAX.	F	G	H	J	L	M	S	WT. LBS.
1/2, 5/8, 3/4	1.312	2.560	1.114	2.560	3.460	4.020	5.000	1.500	.610	.430	1.470	.720	1.220	1.4
7/8, 1	1.438	2.800	1.340	2.870	3.860	4.410	5.510	1.500	.590	.510	1.530	.779	1.343	1.7
1-1/8, 1-3/16, 1-1/4s	1.688	3.310	1.590	3.390	4.560	4.960	6.500	1.890	.670	.670	1.820	.874	1.500	2.9
1-1/4, 1-3/8, 1-7/16	1.874	3.700	1.846	3.740	4.800	5.200	6.570	1.890	.750	.550	1.820	1.000	1.689	3.5
1-1/2	1.938	3.860	2.060	4.130	5.200	5.590	7.250	2.130	.790	.670	2.250	1.189	1.937	4.4
1-5/8, 1-11/16, 1-3/4	2.125	4.170	2.260	4.410	5.550	5.940	7.480	2.130	.790	.670	2.250	1.189	1.937	5.0
1-15/16	2.250	4.500	2.490	4.690	6.100	6.420	8.070	2.360	.830	.770	2.460	1.283	2.031	5.9

Part Numbers are specified by "PB251STW" and Bore Size. Example: PB251STW x 1.  
 For replacement inserts use B250TW Bearing Inserts, O-9  
 T-Zerk: 1/4-28 Taper

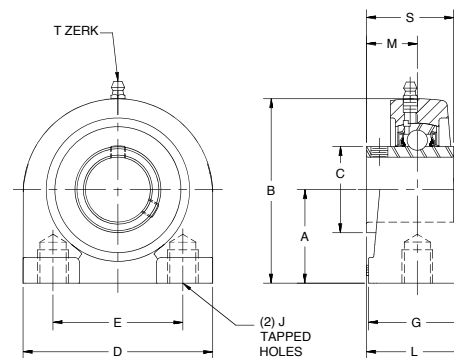
For Load Ratings, See page O-10.

### Series TPB250STW - Tapped Base Pillow Block

#### Features: (same as above)

FOR LUBRICATION AND INSTALLATION INSTRUCTIONS - REFER TO SECTION S

NOTE: PRODUCTS ON THIS PAGE ARE AVAILABLE WITH TRIPLE LIP SEALS (SEE PAGE O-9) TO ORDER ADD SUFFIX L3 (EXAMPLE PB251STWX1L3)



SHAFT SIZE	A	B	C	D	E	G	J - TAPPED HOLES	L	M	S	WT. LBS.
1/2, 5/8, 3/4	1.312	2.560	1.114	2.870	2.000	1.500	3/8-16UNC X .50	1.470	.720	1.206	0.8
7/8, 1	1.437	2.800	1.340	3.000	2.000	1.500	3/8-16UNC X .50	1.530	.776	1.343	0.9
1-1/8, 1-3/16, 1-1/4s	1.687	3.380	1.590	4.000	3.000	1.500	7/16-14UNC X .63	1.620	.874	1.500	1.9
1-1/4, 1-3/8, 1-7/16	1.875	3.740	1.846	4.250	3.250	1.890	1/2-13UNC X .75	1.950	1.000	1.689	2.0
1-1/2	1.937	3.940	2.060	4.610	3.500	1.890	1/2-13UNC X .75	2.130	1.189	1.937	2.8
1-5/8, 1-11/16, 1-3/4	2.125	4.250	2.260	5.000	3.750	2.000	1/2-13UNC X .75	2.190	1.189	1.937	3.3
1-15/16	2.250	4.640	2.490	5.500	4.000	2.000	5/8-11UNC X .79	2.280	1.283	2.031	4.2

Part Numbers are specified by "TPB250STW" and Bore Size. Example: TPB250STW x 3/4.  
 For replacement inserts use B250TW Bearing Inserts, O-9  
 T-Zerk: 1/4-28 Taper

For Load Ratings, See page O-10.

DOWNLOAD AVAILABLE CAD MODELS AT: WWW.HUBCITYINC.COM

Certified prints are available upon request

EMAIL: hubsales@regalbeloit.com • www.hubcityinc.com

⚠ DIMENSIONS SHOWN ARE FOR REFERENCE ONLY.



# Hub City CleanLine™ Bearing Units

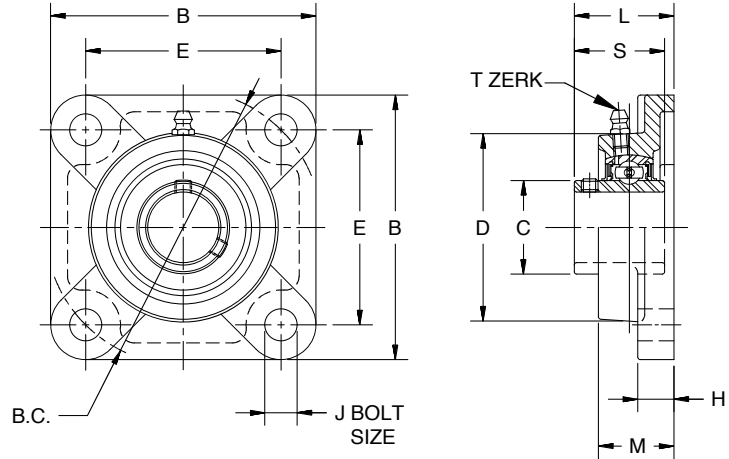
## CleanLine UltraPlus™ and Pharmaceutical Stainless Steel Mounted Bearings



### Series FB250STW - Four Bolt Flange Blocks

#### Features:

- 440 Stainless Steel Rings and Balls
- 302 Stainless Steel Flingers and Retainers
- Setscrew Lock - Wide Inner Ring
- Factory Filled USDA H1 Lubricant Meets FDA Regulation 178.3570 Requirement for Incidental Contact with Food
- 304 Stainless Steel Setscrews
- Anti Rotation Pin
- 304 Stainless Steel Housing
- No Ribs - Undercuts or Protrusions Easier to Clean
- Stainless Steel Grease Fittings
- Grooved for Composite Dust Caps on One Side, See Page O-13



SHAFT SIZE	B	B.C.	C	D	E	H	J	L	M	S	WT. LBS.
1/2, 5/8, 3/4	3.380	3.563	1.114	2.360	2.520	.470	.472	1.311	1.040	1.220	1.3
7/8, 1	3.740	3.898	1.340	2.800	2.756	.510	.472	1.409	1.060	1.342	1.8
1-1/8, 1-3/16, 1-1/4s	4.250	4.622	1.590	3.190	3.268	.510	.472	1.583	1.220	1.500	2.4
1-1/4, 1-3/8, 1-7/16	4.610	5.122	1.846	3.620	3.622	.540	.551	1.748	1.340	1.689	3.5
1-1/2	5.120	5.679	2.060	4.090	4.016	.590	.630	2.016	1.420	1.937	4.2
1-5/8, 1-11/16, 1-3/4	5.390	5.846	2.260	4.250	4.134	.630	.630	2.055	1.500	1.937	5.3
1-15/16	5.570	6.180	2.490	4.450	4.370	.630	.630	2.150	1.570	2.031	5.7

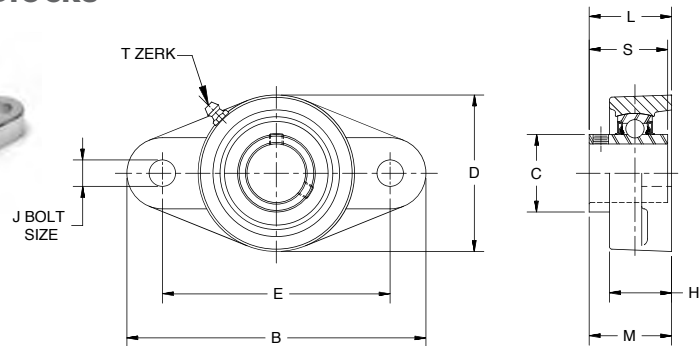
Part Numbers are specified by "FB250STW" and Bore Size. Example: FB250STW x 3/4.  
For replacement inserts use B250TW Bearing Inserts, O-9.  
T-Zerk: 1/4-28 Taper

For Load Ratings, See page O-10.

### Series FB260STW - Two Bolt Flange Blocks

#### Features: (same as above)

FOR LUBRICATION AND INSTALLATION INSTRUCTIONS - REFER TO SECTION S



NOTE: PRODUCTS ON THIS PAGE ARE AVAILABLE WITH TRIPLE LIP SEALS (SEE PAGE O-9)  
TO ORDER ADD SUFFIX L3 (EXAMPLE PB2515TWX1L3)

SHAFT SIZE	B	C	D	E	H	J	L	M	S	WT. LBS.
1/2, 5/8, 3/4	4.450	1.114	2.360	3.543	.400	.472	1.311	1.040	1.220	1.1
7/8, 1	5.120	1.340	2.680	3.898	.510	.492	1.409	1.060	1.342	1.4
1-1/8, 1-3/16, 1-1/4s	5.830	1.590	3.150	4.606	.510	.492	1.583	1.220	1.500	1.9
1-1/4, 1-3/8, 1-7/16	6.340	1.846	3.540	5.118	.630	.551	1.748	1.340	1.689	2.6
1-1/2	6.890	2.060	3.940	5.669	.630	.551	2.016	1.420	1.937	3.5
1-5/8, 1-11/16, 1-3/4	7.440	2.260	4.220	5.827	.590	.630	2.055	1.500	1.937	4.2
1-15/16	7.750	2.490	4.530	6.181	.630	.630	2.150	1.570	2.031	5.1

Part Numbers are specified by "FB260STW" and Bore Size. Example: FB260STW x 3/4.  
For replacement inserts use B250TW Bearing Inserts, O-9.  
T-Zerk: 1/4-28 Taper

For Load Ratings, See page O-10.

† DIMENSIONS SHOWN ARE FOR REFERENCE ONLY.

DOWNLOAD AVAILABLE CAD MODELS AT: WWW.HUBCITYINC.COM

Certified prints are available upon request

CALL: (605) 225-0360 • FAX: (605) 225-0567

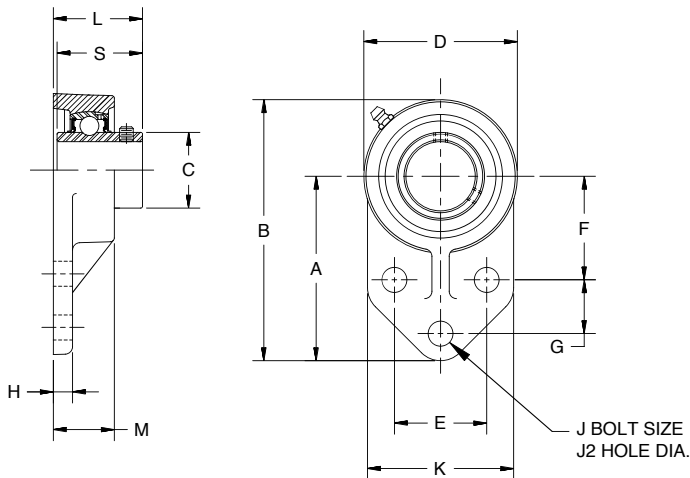
# Hub City CleanLine™ Bearing Units



## Series FR250STW - Three Bolt Flange Bracket

### Features:

- 440 Stainless Steel Rings and Balls
- 302 Stainless Steel Fingers and Retainers
- Setscrew Lock - Wide Inner Ring
- Factory Filled USDA H1 Lubricant Meets FDA Regulation 178.3570 Requirement for Incidental Contact with Food
- 304 Stainless Steel Setscrews
- Anti Rotation Pin
- 304 Stainless Steel Housing
- No Ribs - Undercuts or Protrusions Easier to Clean
- Stainless Steel Grease Fittings
- Grooved for Composite Dust Caps on One Side, See Page O-13

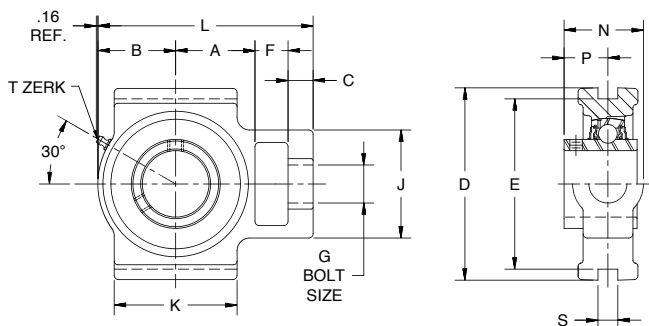


SHAFT SIZE	A	B	C	D	E	F	G	H	J	J2	K	L	M	S	WT LBS
1/2, 5/8, 3/4	3.000	4.250	1.114	2.500	1.500	1.688	.875	.310	0.313	.394	2.380	1.350	1.080	1.220	1.3
7/8, 1	3.380	4.750	1.340	2.750	1.625	1.812	1.125	.380	0.313	.394	2.500	1.448	1.140	1.343	1.8
1-1/8, 1-3/16, 1-1/4s	3.750	5.380	1.590	3.250	1.875	2.063	1.250	.380	0.313	.394	2.750	1.622	1.260	1.500	2.4
1-1/4, 1-3/8, 1-7/16	4.250	6.120	1.846	3.750	2.000	2.375	1.250	.500	0.438	.472	3.250	1.827	1.460	1.689	3.5
1-1/2	4.500	6.440	2.060	3.940	2.000	2.375	1.625	.630	0.375	.472	3.060	2.016	1.340	1.937	4.2
1-5/8, 1-11/16, 1-3/4	4.750	6.870	2.260	4.180	2.125	2.562	1.688	.720	0.375	.472	3.130	2.016	1.380	1.937	5.3
1-15/16	5.180	7.500	2.490	4.650	2.750	2.937	1.625	.500	0.438	.512	4.000	2.110	1.500	2.031	5.7

Part Numbers are specified by "FR250STW" and Bore Size. Example: FR250STW x 3/4.  
For replacement inserts use B250TW Bearing Inserts, O-9.  
T-Zerk: 1/4-28 Taper

For Load Ratings, See page O-10.

## Series TU250STW - Take Up Unit



### Features: (same as above)

FOR LUBRICATION AND INSTALLATION INSTRUCTIONS - REFER TO SECTION S

NOTE: PRODUCTS ON THIS PAGE ARE AVAILABLE WITH TRIPLE LIP SEALS (SEE PAGE O-9)  
TO ORDER ADD SUFFIX L3 (EXAMPLE PB2515TWX1L3)

SHAFT SIZE	A	B	C	D	E	F	G	J	K	L	N	P	S	WT LBS
1/2, 5/8, 3/4	1.330	1.220	.280	3.440	3.000	.630	.750	1.850	1.850	3.460	1.350	.720	.3110	1.8
7/8, 1	1.410	1.340	.280	3.440	3.000	.630	.750	1.850	1.850	3.660	1.410	.779	.3110	2.7
1-1/8, 1-3/16, 1-1/4s	1.700	1.610	.350	3.940	3.504	.750	.870	2.240	2.090	4.290	1.600	.874	.3110	3.6
1-1/4, 1-3/8, 1-7/16	1.890	1.850	.350	3.940	3.504	.750	.870	2.240	2.360	4.720	1.730	1.000	.3110	5.0
1-1/2	2.040	2.050	.470	4.440	4.000	.750	1.140	3.150	2.950	5.310	1.950	.984	.3110	6.2
1-5/8, 1-11/16, 1-3/4	2.050	2.200	.550	4.440	4.000	.750	1.140	3.150	3.110	5.550	2.190	1.220	.3110	7.3
1-15/16	2.200	2.320	.550	4.440	4.000	.750	1.140	3.230	3.230	5.820	2.250	1.283	.3110	8.0

Part Numbers are specified by "TU250STW" and Bore Size. Example: TU250STW x 3/4.  
For replacement inserts use B250TW Bearing Inserts, O-9.  
T-Zerk: 1/4-28 Taper

For Load Ratings, See page O-10.

DOWNLOAD AVAILABLE CAD MODELS AT: [WWW.HUBCITYINC.COM](http://WWW.HUBCITYINC.COM)

Certified prints are available upon request

EMAIL: [hubsales@regalbeloit.com](mailto:hubsales@regalbeloit.com) • [www.hubcityinc.com](http://www.hubcityinc.com)

¶ DIMENSIONS SHOWN ARE FOR REFERENCE ONLY.



# Hub City CleanLine™ Bearing Units

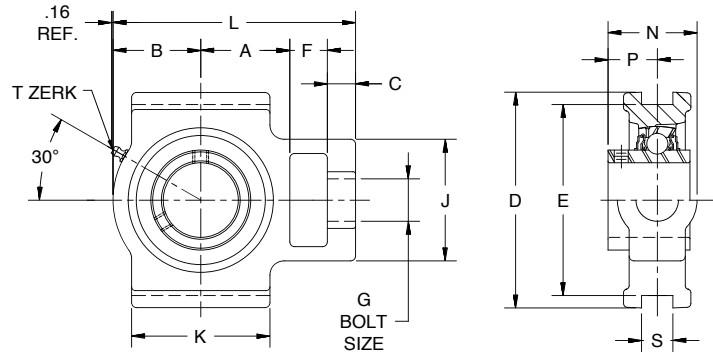
## CleanLine UltraPlus™ and Pharmaceutical Stainless Steel Mounted Bearings



### Series WSTU250STW - Wide Slot Take Up Unit

#### Features:

- 440 Stainless Steel Rings and Balls
- 302 Stainless Steel Flingers and Retainers
- Setscrew Lock - Wide Inner Ring
- Factory Filled USDA H1 Lubricant Meets FDA Regulation 178.3570 Requirement for Incidental Contact with Food
- 304 Stainless Steel Setscrews
- Anti Rotation Pin
- 304 Stainless Steel Housing
- No Ribs - Undercuts or Protrusions Easier to Clean
- Stainless Steel Grease Fittings
- Grooved for Composite Dust Caps on One Side, See Page O-13



SHAFT SIZE	A	B	C	D	E	F	G	J	K	L	N	P	S	WT LBS
1/2, 5/8, 3/4	1.330	1.220	.280	3.440	3.000	.630	.750	1.850	1.850	3.460	1.350	.720	.531	1.8
7/8, 1	1.410	1.340	.280	3.440	3.000	.630	.750	1.850	1.850	3.660	1.410	.779	.531	2.7
1-1/8, 1-3/16, 1-1/4s	1.700	1.610	.350	3.940	3.504	.750	.870	2.240	2.090	4.290	1.600	.874	.531	3.6
1-1/4, 1-3/8, 1-7/16	1.890	1.850	.350	3.940	3.504	.750	.870	2.240	2.360	4.720	1.730	1.000	.531	5.0
1-1/2	2.040	2.050	.470	4.440	4.000	.750	1.140	3.150	2.950	5.310	1.950	.984	.689	6.2
1-5/8, 1-11/16, 1-3/4	2.050	2.200	.550	4.440	4.000	.750	1.140	3.150	3.110	5.550	2.190	1.220	.689	7.3
1-15/16	2.200	2.320	.550	4.440	4.000	.750	1.140	3.230	3.230	5.820	2.250	1.283	.689	8.0

Part Numbers are specified by "WSTU250STW" and Bore Size. Example: WSTU250STW x 3/4.  
For replacement inserts use B250TW Bearing Inserts, O-9.  
T-Zerk: 1/4-28 Taper

For Load Ratings, See page O-10.

FOR LUBRICATION AND INSTALLATION  
INSTRUCTIONS - REFER TO SECTION S

NOTE: PRODUCTS ON THIS PAGE ARE AVAILABLE  
WITH TRIPLE LIP SEALS (SEE PAGE O-9)  
TO ORDER ADD SUFFIX L3 (EXAMPLE  
PB2515TWX1L3)

DOWNLOAD AVAILABLE CAD MODELS AT: [WWW.HUBCITYINC.COM](http://WWW.HUBCITYINC.COM)

**Certified prints are available upon request**

CALL: (605) 225-0360 • FAX: (605) 225-0567

# Hub City CleanLine™ Bearing Units

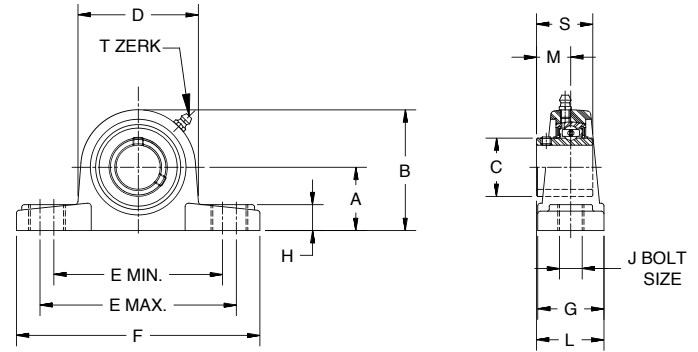
## CleanLine Plus™ Thermoplastic Composite Mounted Bearings



### Series PB251CTW - Pillow Blocks

#### Features:

- 440 Stainless Steel Rings and Balls
- 302 Stainless Steel Flingers and Retainers
- Setscrew Lock - Wide Inner Ring
- Factory Filled USDA H1 Lubricant Meets FDA Regulation 178.3570 Requirement for Incidental Contact with Food
- 304 Stainless Steel Setscrews
- Anti Rotation Pin
- Ultradur Glass Reinforced PBT Thermoplastic Housing
- Tensile Strength 16700 psi at Room Temperature
- Stainless Steel Bushings in All Bolt Holes
- Stainless Steel Insert for Zerk Threads
- Stainless Steel Zerks
- Moisture Resistant
- Corrosion Resistant
- Grooved for Composite Dust Caps on One Side, See Page O-13
- Smooth Surface with No Ribs for Easy Cleaning



NOTE: PRODUCTS ON THIS PAGE ARE AVAILABLE WITH TRIPLE LIP SEALS (SEE PAGE O-9) TO ORDER ADD SUFFIX L3 (EXAMPLE PB2515TWX1L3)

SHAFT SIZE	A	B	C	D	E MIN.	E MAX.	F	G	H	J	L	M	S	WT. LBS.
1/2, 5/8, 3/4	1.312	2.560	1.114	2.770	3.660	3.820	5.000	1.500	.560	.430	1.470	.720	1.220	.07
7/8, 1	1.438	2.800	1.339	3.080	4.010	4.250	5.510	1.500	.560	.550	1.530	.779	1.343	.07
1-1/8, 1-3/16, 1-1/4s	1.688	3.270	1.590	3.620	4.560	4.800	6.380	1.810	.680	.550	1.780	.874	1.500	1.2
1-1/4, 1-3/8, 1-7/16	1.875	3.700	1.846	3.970	4.880	5.120	6.570	1.890	.700	.550	1.940	1.000	1.689	1.6
1-1/2	1.938	3.860	2.060	4.360	5.270	5.510	7.240	2.130	.770	.550	2.250	1.189	1.937	2.3

Part Numbers are specified by "PB251CTW" and Bore Size. Example: PB251CTW x 3/4.  
For replacement inserts use B250TW Bearing Inserts, O-9.  
T-Zerk: 1/4-28 Taper

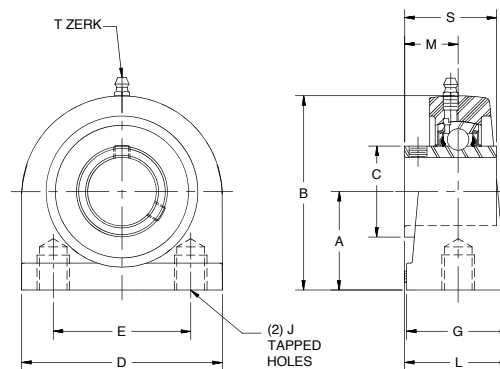
For Load Ratings, See page O-10 & O-11.

### Series TPB250CTW - Tapped Base Pillow Blocks



#### Features: (same as above)

FOR LUBRICATION AND INSTALLATION INSTRUCTIONS - REFER TO SECTION S



SHAFT SIZE	A	B	C	D	E	G	J - TAPPED HOLES	L	M	S	WT. LBS.
1/2, 5/8, 3/4	1.312	2.600	1.114	2.870	2.000	1.360	3/8-16UNC X .44	1.401	.720	1.206	0.6
7/8, 1	1.437	2.830	1.340	3.000	2.000	1.560	3/8-16UNC X .47	1.560	.779	1.343	0.7
1-1/8, 1-3/16, 1-1/4s	1.687	3.310	1.590	4.000	3.000	1.670	7/16-14UNC X .69	1.709	.874	1.500	1.1
1-1/4, 1-3/8, 1-7/16	1.875	3.700	1.846	4.330	3.250	1.890	1/2-13UNC X .63	1.950	1.000	1.689	1.6
1-1/2	1.937	3.980	2.060	4.720	3.500	1.890	1/2-13UNC X .63	2.134	1.189	1.937	2.2

Part Numbers are specified by "TPB250CTW" and Bore Size. Example: TPB250CTW x 1.  
For replacement inserts use B250TW Bearing Inserts, O-9.  
T-Zerk: 1/4-28 Taper

For Load Ratings, See page O-10 & O-11.

DOWNLOAD AVAILABLE CAD MODELS AT: WWW.HUBCITYINC.COM

Certified prints are available upon request

EMAIL: hubsales@regalbeloit.com • www.hubcityinc.com

⚠ DIMENSIONS SHOWN ARE FOR REFERENCE ONLY.



# Hub City CleanLine™ Bearing Units

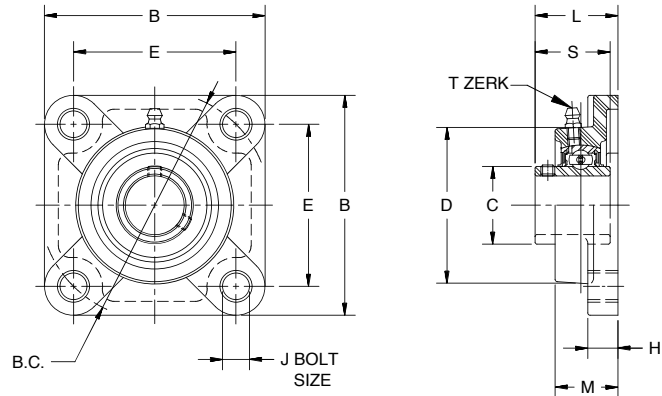
## CleanLine UltraPlus™ Thermoplastic Composite Mounted Bearings



### Series FB250CTW - Four Bolt Flange Blocks

**Features:**

- 440 Stainless Steel Rings and Balls
- 302 Stainless Steel Flingers and Retainers
- Setscrew Lock - Wide Inner Ring
- Factory Filled USDA H1 Lubricant Meets FDA Regulation 178.3570 Requirement for Incidental Contact with Food
- 304 Stainless Steel Setscrews
- Anti Rotation Pin
- Ultradur Glass Reinforced PBT Thermoplastic Housing
- Tensile Strength 16700 psi at Room Temperature
- Stainless Steel Bushings in All Bolt Holes
- Stainless Steel Insert for Zerk Threads
- Stainless Steel Zerks
- Moisture Resistant
- Corrosion Resistant
- Grooved for Composite Dust Caps on One Side, See Page O-37
- Smooth Surface with No Ribs for Easy Cleaning



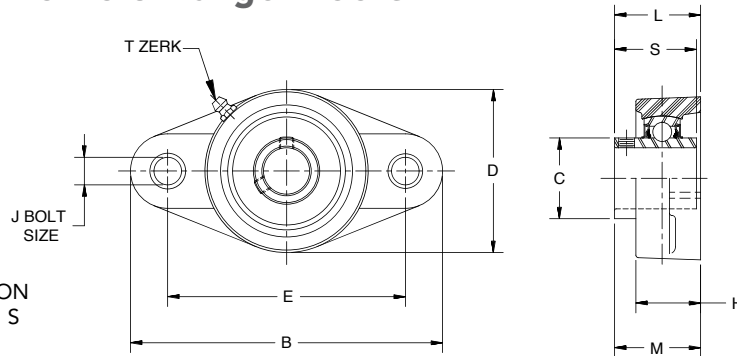
SHAFT SIZE	B	B.C.	C	D	E	H	J	L	M	S	WT. LBS.
1/2, 5/8, 3/4	3.380	3.535	1.110	2.360	2.500	.512	.433	1.311	1.100	1.220	.07
7/8, 1	3.740	3.898	1.340	2.800	2.756	.551	.433	1.448	1.100	1.342	.08
1-1/8, 1-3/16, 1-1/4s	4.220	4.622	1.590	3.190	3.268	.551	.433	1.622	1.220	1.500	1.1
1-1/4, 1-3/8, 1-7/16	4.650	5.122	1.850	3.620	3.622	.591	.512	1.846	1.300	1.689	1.6
1-1/2	5.120	5.679	2.060	4.090	4.016	.669	.551	2.095	1.500	1.937	2.3

Part Numbers are specified by "FB250CTW" and Bore Size. Example: FB250CTW x 3/4.  
 For replacement inserts use B250TW Bearing Inserts, O-9  
 T-Zerk: 1/4-28 Taper

For Load Ratings, See page O-10 & O-11.

### Series FB260CTW - Two Bolt Flange Blocks

**Features:**  
 (same as above)



FOR LUBRICATION AND INSTALLATION INSTRUCTIONS - REFER TO SECTION S

SHAFT SIZE	B	C	D	E	H	J	L	M	S	WT. LBS.
1/2, 5/8, 3/4	4.450	1.110	2.560	3.543	.430	.433	1.311	1.040	1.220	.06
7/8, 1	5.120	1.340	2.760	3.898	.510	.433	1.430	1.160	1.342	.07
1-1/8, 1-3/16, 1-1/4s	5.830	1.590	3.150	4.606	.510	.433	1.583	1.200	1.500	1.0
1-1/4, 1-3/8, 1-7/16	6.460	1.850	3.540	5.118	.630	.512	1.748	1.290	1.689	1.4
1-1/2	6.930	2.060	3.940	5.669	.670	.551	2.035	1.480	1.937	2.0

Part Numbers are specified by "FB260CTW" and Bore Size. Example: FB260CTW x 3/4.  
 For replacement inserts use B250TW Bearing Inserts, O-9.  
 T-Zerk: 1/4-28 Taper

For Load Ratings, See page O-10 & O-11.

⚠ DIMENSIONS SHOWN ARE FOR REFERENCE ONLY.

DOWNLOAD AVAILABLE CAD MODELS AT: [WWW.HUBCITYINC.COM](http://WWW.HUBCITYINC.COM)

**Certified prints are available upon request**

CALL: (605) 225-0360 • FAX: (605) 225-0567

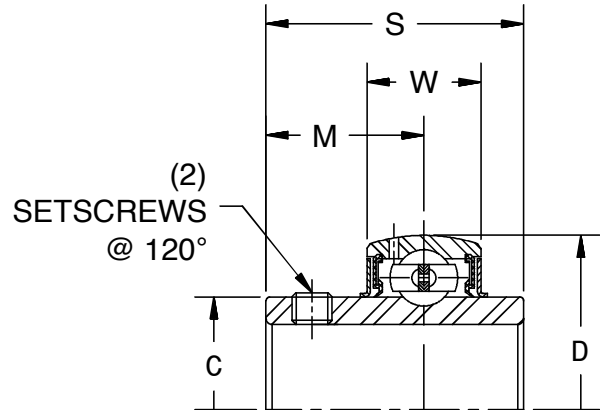


# Hub City CleanLine™ Bearing Units CleanLine Plus™ and UltraPlus Bearing Inserts

## Series B250TW - Stainless Steel Bearings

### Features:

- 440 Stainless Steel Rings and Balls
- 302 Stainless Steel Retainers
- Setscrew Lock - Wide Inner Ring
- Factory Filled USDA HI Lubricant Meets FDA Regulation 178.3570 Requirement for Incidental Contact with Food
- Silicone Seals with 302 Stainless Steel Flingers
- Lube Hole for Relubrication
- 304 Stainless Steel Setscrews
- Anti Rotation Pin

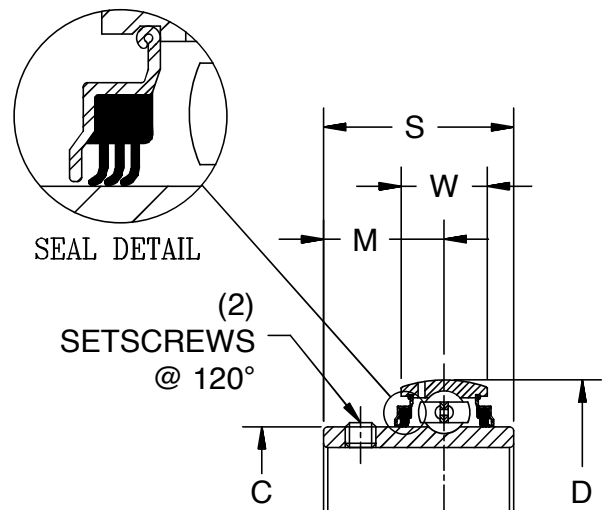


SHAFT SIZE	C	D	M	S	W	SETSCREW	WT. LBS.
1/2L, 5/8L, 3/4	1.114	1.850	0.720	1.220	0.630	1/4 - 28UNF	0.4
7/8, 1	1.339	2.047	0.779	1.343	0.669	1/4 - 28UNF	0.5
1-1/8, 1-3/16, 1-1/4s	1.587	2.444	0.874	1.500	0.748	1/4 - 28UNF	0.7
1-1/4, 1-3/8, 1-7/16	1.846	2.835	1.000	1.689	0.787	5/16-24UNF	1.0
1-1/2	2.063	3.150	1.189	1.937	0.827	5/16-24UNF	1.5
1-5/8, 1-11/16, 1-3/4	2.260	3.347	1.189	1.937	0.866	5/16-24UNF	1.6
1-15/16	2.488	3.543	1.283	2.031	0.945	3/8-24UNF	1.8

## Series B250TW L3 Triple Lip Seal - Stainless Steel Bearings

### Features:

- 440 Stainless Steel Rings and Balls
- 302 Stainless Steel Retainers
- Setscrew Lock - Wide Inner Ring
- Factory Filled USDA HI Lubricant Meets FDA Regulation 178.3570 Requirement for Incidental Contact with Food
- Triple Lip Silicone Seals with 302 Stainless Steel Trash Guards
- Lube Hole for Relubrication
- 304 Stainless Steel Setscrews
- Anti Rotation Pin



SHAFT SIZE	C	D	M	S	W	SETSCREW	WT. LBS.
1/2, 5/8, 3/4	1.114	1.850	0.720	1.220	0.630	1/4 - 28UNF	0.4
7/8, 1	1.339	2.047	0.779	1.343	0.669	1/4 - 28UNF	0.5
1-1/8, 1-3/16, 1-1/4s	1.587	2.441	0.874	1.500	0.748	1/4 - 28UNF	0.7
1-1/4, 1-3/8, 1-7/16	1.846	2.835	1.000	1.689	0.787	5/16-24UNF	1.0
1-1/2	2.063	3.150	1.189	1.937	0.827	5/16-24UNF	1.5
1-5/8, 1-11/16, 1-3/4	2.260	3.347	1.189	1.937	0.866	5/16-24UNF	1.6
1-15/16	2.488	3.543	1.283	2.031	0.945	3/8-24UNF	1.8

DOWNLOAD AVAILABLE CAD MODELS AT: [WWW.HUBCITYINC.COM](http://WWW.HUBCITYINC.COM)

**Certified prints are available upon request**

EMAIL: [hubsales@regalbeloit.com](mailto:hubsales@regalbeloit.com) • [www.hubcityinc.com](http://www.hubcityinc.com)





# Hub City CleanLine™ Bearing Units

## Series B250TW - CleanLine™ Stainless Steel Bearing Ratings

BEARING RADIAL LOAD CAPACITY (POUNDS) FOR 500 HOURS L-10 LIFE (2500 HOURS AVERAGE LIFE) AND STEADY LOAD CONDITIONS										
SHAFT SIZE (INCHES) 100, 200 SERIES	BASIC DYNAMIC RATING, C* (POUNDS)	BASIC STATIC RATING, Co** (POUNDS)	BEARING SPEED (RPM)							
			100	500	1,000	1,500	2,000	2,500	3,000	3,500
1/2 to 5/8	2200	1390	1,530	890	710	620	560	520	490	470
3/4	2200	1390	1,530	890	710	620	560	520	490	470
7/8 to 1	2430	1570	1,680	990	780	680	620	580	540	520
1-1/8 to 1-1/4S	3350	2250	2,320	1,360	1080	940	860	790	750	710
1-1/4 to 1-7/16	4430	3060	3,070	1,800	1430	1250	1130	1050	990	
1-1/2	5640	3990	3,910	2,290	1810	1590	1440	1340	1260	
1-11/16 to 1-3/4	5640	3990	3,910	2,290	1810	1590	1440	1340		
1-7/8 to 1-15/16	6060	4450	4,200	2,460	1950	1700	1550	1440		

\* Radial load for an L-10 rating life of 1,000,000 revolutions.

\*\* Radial load rating for stationary or very low speed operation.

For ultimate life, snug fit or light press fit on shaft should be used.

Recommended operating temperature range: 0 to +225 deg F.

For applications not covered in the rating tables, consult the factory.  
Ratings are based on ISO 281.

Maximum Recommended Speeds:

1/2 to 1-1/4S 3,500 RPM

1-1/4 to 1-1/2 3,000 RPM

1-5/8 to 1-15/16, 2,500 RPM

TO MODIFY THE ABOVE RATINGS FOR OTHER L-10 LIFE REQUIREMENTS OR FOR SHOCK LOADS MULTIPLY THE ABOVE RATINGS BY THE FACTOR FROM THIS CHART														
MODIFICATION FACTORS FOR L-10 SERVICE LIFE AND LOAD CONDITIONS:														
LOAD CONDITIONS	L-10 LIFE (HOURS)													
	500	700	1,000	1,500	2,000	3,000	4,000	5,000	7,000	10,000	15,000	20,000	30,000	50,000
Steady Load	1.00	.894	.794	.694	.630	.550	.500	.464	.415	.368	.322	.292	.255	.215
Light Shock	.90	.804	.715	.624	.567	.495	.450	.418	.373	.331	.290	.263	.230	.194
Moderate Shock	.70	.626	.556	.485	.441	.385	.350	.325	.290	.258	.225	.205	.179	.151

¶ DIMENSIONS SHOWN ARE FOR REFERENCE ONLY.

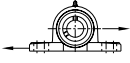
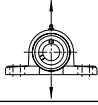
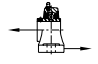

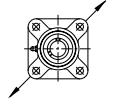


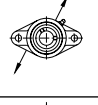


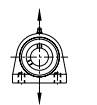
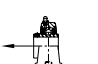
DOWNLOAD AVAILABLE CAD MODELS AT: [WWW.HUBCITYINC.COM](http://WWW.HUBCITYINC.COM)

**Certified prints are available upon request**

CALL: (605) 225-0360 • FAX: (605) 225-0567

# Hub City CleanLine™ Bearing Units

## Load Ratings

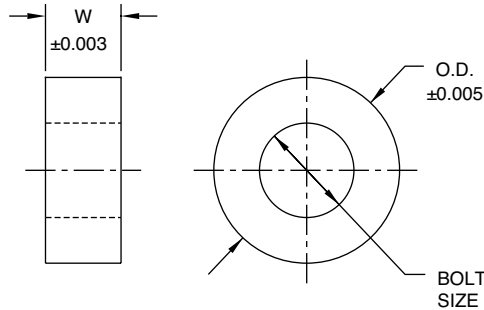
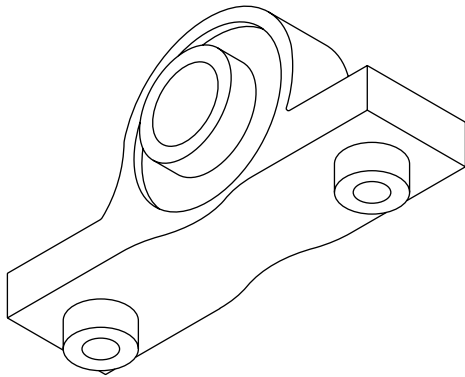
BREAKING POINT TESTS OF COMPOSITE HOUSINGS AT ROOM TEMPERATURE (75 F.)						
	MODE OF LOAD	BREAKING STRENGTH (POUNDS)				
		1/2 TO 3/4	7/8 TO 1	1-1/8 TO 1-1/4S	1-1/4 TO 1-7/16	1-1/2
PB251CTW		2000	3100	2800	2900	2900
		1700	2200	2400	2400	2500
		1100	1800	1300	1700	1900
FB250CTW		2900	2900	3800	4200	4300
		2300	2700	4000	4200	4300
		730	750	760	790	850
FB260CTW		2500	2600	3700	3800	3900
		2500	3100	3000	3100	3200
		1900	2500	3200	3300	3400
TPB250CTW		1800	1900	2300	2700	2700
		1500	1600	1500	1800	2000
		670	640	1100	1800	2200

Recommended operating temperature of composite housings is 20 to 230 deg F.  
Housing strength varies with operating temperature, and this must be considered in the selection and application of composite bearing units.

# Hub City CleanLine™ Bearing Units

## UltraPlus™ Mounted Bearings

### Accessories - Clearance Spacers



Clearance spacers are an excellent method of adding space between the mounted bearing and its mounting surface.

Clearance spacers minimize the surface contact area between the mounted bearing and its mounting surface to reduce potential bacterial growth areas.

Clearance spacers provide space for cleaning brushes to be used during sanitation processes. The spacers allow accessibility when cleaning by high-pressure washing or circulation of flowing chemical solutions, cleaning liquids and water rinses.

#### 316 Stainless Steel Clearance Spacers

BOLT SIZE	SPACER NO.	O.D.	W
1/4	8471601286	0.625	0.375
5/16	8471601287	0.688	0.375
3/8	8471601288	0.812	0.375
7/16	8471601289	0.922	0.375
1/2	8471601290	0.969	0.375
5/8	8471601291	1.312	0.375

Order (1) spacer for each mounting hole required.  
Consult factory for additional sizes available.

#### SUITABLE FOR:

CleanLine Pharmaceutical  
CleanLine UltraPlus  
CleanLine Plus  
CleanLine Gear Drives

DOWNLOAD AVAILABLE CAD MODELS AT: [WWW.HUBCITYINC.COM](http://WWW.HUBCITYINC.COM)

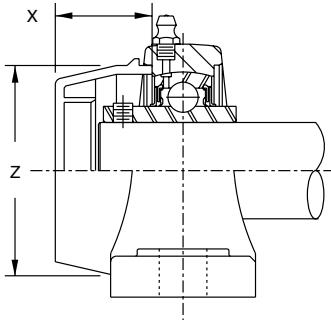
**Certified prints are available upon request**

CALL: (605) 225-0360 • FAX: (605) 225-0567

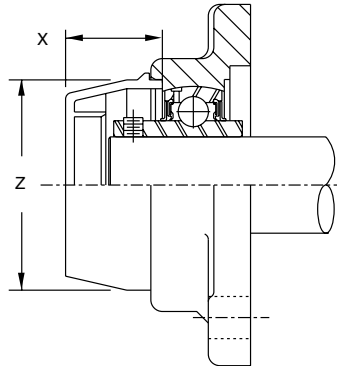
# Hub City CleanLine™ Bearing Units

## UltraPlus™ Mounted Bearings

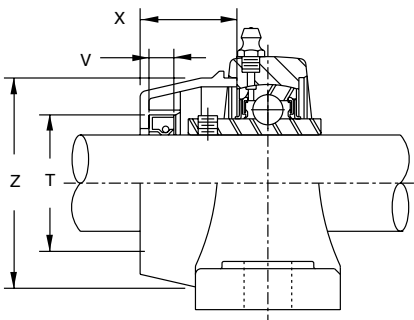
### Accessories - Protective Caps



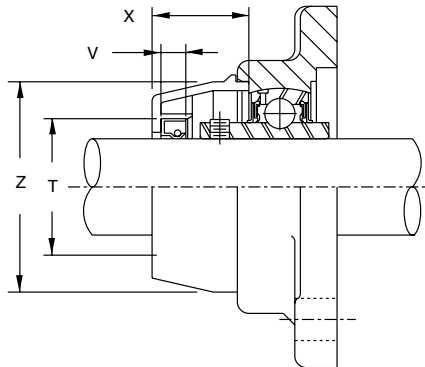
CLOSED PILLOW BLOCK UNITS



CLOSED FLANGE UNITS



OPEN PILLOW BLOCK UNITS



OPEN FLANGE UNITS



PROTECTIVE CAPS AND SEALS										
SHAFT SIZE	T	V	X	Z	CLOSED CAP		OPEN CAP		SEAL FOR OPEN CAP	
					DESCRIPTION	PART NO.	DESCRIPTION	PART NO.	DESCRIPTION	PART NO.
1/2	1.260	0.28	29/32	1-31/32	CPCCx3/4	1540101016	CPOCx3/4	1540101007	CPSEALx1/2	1745011004
5/8									CPSEALx5/8	1745011005
3/4									CPSEALx3/4	1745011006
7/8	1.457	0.28	1	2-5/32	CPCCx1	1540101017	CPOCx1	1540101008	CPSEALx7/8	1745011019
1									CPSEALx1	1745011007
1-1/8									CPSEALx1-1/8	1745011008
1-3/16	1.654	0.28	1-3/16	2-1/2	CPCCx1-3/16	1540101018	CPOCx1-3/16	1540101009	CPSEALx1-3/16	1745011009
1-1/4S									CPSEALx1-1/4S	1745011010
1-1/4									CPSEALx1-1/4	1745011011
1-3/8	1.850	0.28	1-1/4	2-15/16	CPCCx1-7/16	1540101019	CPOCx1-7/16	1540101010	CPSEALx1-3/8	1745011012
1-7/16									CPSEALx1-7/16	1745011013
1-1/2									CPSEALx1-1/2	1745011014

PROTECTIVE CAPS AND SEALS ARE SUITABLE FOR BOTH STAINLESS STEEL AND THERMOPLASTIC COMPOSITE BEARINGS  
CAPS AND SEALS ARE SOLD SEPARATELY. ORDER BY DESCRIPTION OR PART NUMBERS SHOWN

DOWNLOAD AVAILABLE CAD MODELS AT: [WWW.HUBCITYINC.COM](http://WWW.HUBCITYINC.COM)

**Certified prints are available upon request**

EMAIL: [hubsales@regalbeloit.com](mailto:hubsales@regalbeloit.com) • [www.hubcityinc.com](http://www.hubcityinc.com)



# Hub City CleanLine™ Bearing Units

## Modified and Custom Designs

If you have looked through this catalog and do not see exactly what you need, Hub City has the capability and engineering expertise to design and produce modified or custom mounted bearings.

### Capabilities range as follows:

- Special sealing requirements or materials
- Special lubricants
- Housing modifications
- Special paint or housing coatings
- Modifications for specific or unique application requirements

Consult the factory or your Hub City representative with your specifications.

# Hub City ModuLine® Spherical Roller Bearing Units

ModuLine® Spherical Roller Bearing Features.....	P-2
ModuLine® Spherical Roller Bearing Engineering & Selection .....	P-4
ModuLine® Pillow Block Dimensions (Traditional Straight Bore Parameters).....	P-10
ModuLine® Flange Block Dimensions (Traditional Straight Bore Parameters).....	P-12
ModuLine® Pillow Block Dimensions (Type E Dimensional Equivalent).....	P-13
ModuLine® Flange Block Dimensions (Type E Dimensional Equivalent).....	P-15
ModuLine® Spherical Roller Bearing Accessories.....	P-16
ModuLine® Spherical Roller Bearing Modified and Custom Design Capabilities.....	P-18

# Hub City ModuLine® Spherical Roller Bearing Units

## Features and Benefits

- Modular design
- High Load Capacity
- Tolerates Misalignment up to 1-1/2°
- Mechanically and dimensionally interchangeable with most major brands
- Housing dimensions to match both Type-E and traditional straight bore units
- Pillow block housings are machined at each end to ease alignment at installation
- Three sealing options to guard against contamination
- Double Lip or Triple Lip Nitrile contact seals, Teflon Labyrinth seals
- Inserts - 52100 bearing steel, through hardened races and rollers
- Cast steel housing
- Lifetime warranty against breakage on the housings (Standard Terms & Conditions apply)
- Easy field conversion from fixed to floating
- Bore sizes from 1-7/16" through 4-15/16"
- Includes grease fitting and grease purge ports



DOWNLOAD AVAILABLE CAD MODELS AT: [WWW.HUBCITYINC.COM](http://WWW.HUBCITYINC.COM)

**Certified prints are available upon request**

CALL: (605) 225-0360 • FAX: (605) 225-0567

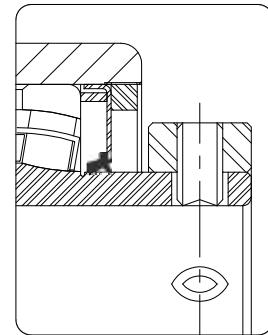


# Hub City ModuLine® Spherical Roller Bearing Units

## Features - Seals and Covers

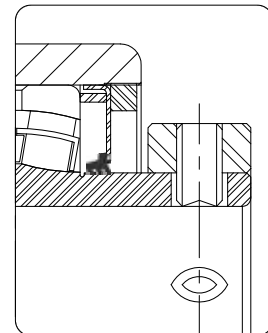
### Double Lip Nitrile Seal

- Non-purging, Recommended for heavy moisture and gritty materials.
- Not recommended for most chemical contaminants.
- Typical applications include ground contact equipment, agricultural machinery, etc.



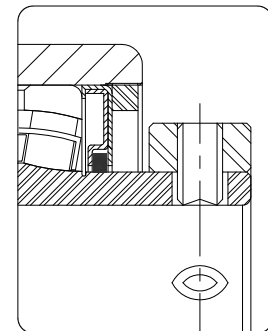
### Triple Lip Nitrile Seal

- Purgeable, good for large particulate contamination, and moisture.
- Not recommended for most chemical contaminants.
- Typical applications include sawmills, forestry equipment etc.



### Labyrinth Teflon Seal

- Labyrinth Teflon seals are non-purging, and low drag.
- Suitable for all speeds, high temperature, and moisture.
- PTFE (Teflon) is non-reactive to most chemicals.
- Labyrinth Teflon seals are recommended for most industrial applications.



## Covers

### Closed Covers

- Closed covers are designed to completely seal the exposed end of a rotating shaft. These heavy duty metal covers fasten to the bearing lock ring and the entire cavity can be filled with grease, effectively limiting fretting corrosion between bearing bore and shaft.



### Open Covers

- Open covers allow the shaft to pass through the cover while providing an auxiliary labyrinth Teflon seal on the shaft. These heavy duty metal covers fasten to the bearing lock ring and the entire cavity can be filled with grease, effectively limiting fretting corrosion between bearing bore and shaft.



# Hub City ModuLine® Spherical Roller Bearing Units

## Engineering and Selection Information

### Maximum Speed

Maximum speed limits listed for the ModuLine® Spherical Roller Bearing units described in this catalog should be used as a guide and considered along with other factors affecting bearing operation. Load characteristics, bearing lubrication, and temperature factors all influence bearing operation. It is possible that cataloged speed limits may be exceeded after a complete application analysis is completed by factory engineers.

### Bearing Life

Bearing life is commonly referred to in terms of the number of hours of operation, at a given load and speed that 90% of the bearings in a lot can equal or exceed before the onset of fatigue failure. This is called the L-10 life of a bearing.

### Bearing Loads

Radial loads and axial (thrust) forces in combination are the principal load components of bearing applied loads. Hub City bearing unit ratings are based upon the radial load capacity of the bearing. Spherical roller bearings are designed to handle significant radial loads even when combined with a thrust load. However, these bearings are not generally recommended for use in applications where only thrust forces are present or when thrust loads exceed the radial loading of the bearing.

The charts on page P4 and P-7 are to be used when only radial loads are present, or once the combined equivalent load value is calculated. For applications where bearings are required to absorb thrust forces in addition to normal radial loads, the following considerations must be made concerning the magnitude of the thrust force.

1. When thrust loads are less than 25% of the radial load the equivalent load is determined by adding the radial and thrust loads together. The bearing selection is based upon using this total load as the equivalent applied radial load.
2. When thrust loads are equal to or greater than 25% of the radial load – the application must be reviewed by the factory.

Table 1: Basic Radial loads

Shaft Size (in)	Dynamic Load $C_r$ Capacity (Lb.)	Static Load $C_{Or}$ Capacity (Lb.)
1-7/16 1-1/2	20200	22500
1-11/16 1-3/4	21150	24320
1-15/16 2	22500	27150
2-3/16 2-1/4	27300	31940
2-7/16 2-1/2	39800	48600
2-11/16 2-3/4 2-15/16 3	43020	53980
3-7/16 3-1/2	68550	87700
3-15/16 4	85500	108980
4-7/16	108000	144050
4-15/16	124500	186250

### Bearing Selection

Selection of the proper Hub City bearing unit for a determined speed and load can be made by referring to the load rating tables. Proper selection is made by finding a bearing having the desired bore size which has a load rating equal to or greater than the radial or equivalent radial load required for the application.

### Engineering Data

Bearing reaction loads are caused by forces acting on the shaft supported by the bearings. These forces are a result of the weight of the shafting and components mounted on the shafting, bending loads due to belt or chain pull, gear reaction loads, and off center or unbalanced loads. These loads must be combined into a single resultant load of known magnitude and direction for each bearing. Whether the load is applied between bearings on a shaft supported by two bearings or outboard of one of the bearings is important to proper bearing selection. The magnitude and direction of the load for either case may be calculated by taking moments about the other bearing.

# Hub City ModuLine® Spherical Roller Bearing Units

## Engineering and Selection Information

### Minimum Loads

Although it may be a rare application where little or no loads are present, spherical roller bearings must have proper loads present in the application in order to function satisfactorily. Radial loads less than 3% of  $C_r$  (see page P-4) should be avoided.

### Misalignment

All Hub City ModuLine® Spherical Roller Bearing units can accept up to 1-1/2 degrees misalignment.

### Lubrication

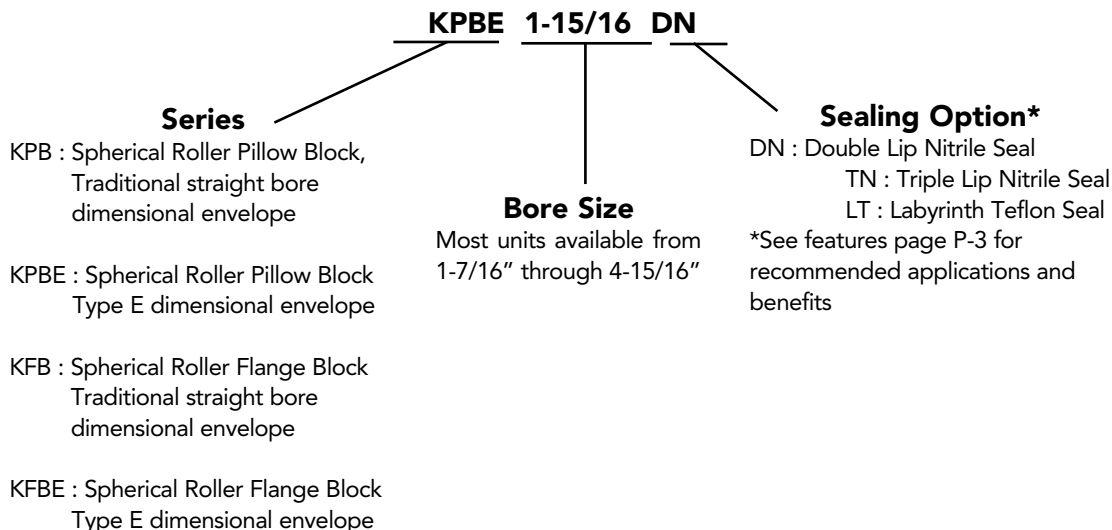
The proper lubrication of bearing units is critical in order to attain maximum bearing life expectancy. HUB CITY SPHERICAL ROLLER BEARINGS are factory filled with Ulti-Plex® Synthetic EP Grease, which is a multipurpose, high performance grease specially formulated for extreme pressure bearing applications operating under the most extreme high and low temperature conditions and for those difficult applications requiring extended lubrication intervals. This grease offers excellent thermal stability through temperatures ranging from -50° F to 400° F (-50° to 230° C). When dealing with temperatures above 300° F, consult the factory for optional grease recommendations. All Hub City bearing units are lubricated at the factory and should not require additional lubricant upon installation. Re-lubrication intervals noted in Table 3 are to be used as a general guide and depend on the type of application, speed, operating temperature and other environmental conditions. The amount and type of lubricant used will affect bearing life. Improper lubrication can lead to premature bearing failures.

For unusual lubrication requirements or severe duty applications, contact Hub City for recommendations.

### Seal Limiting Speeds (RPM)

Shaft Size (in)	Nitrile Contact Seal	Labyrinth Seal
1-7/16 1-1/2	2000	4000
1-11/16 1-3/4	2000	4000
1-15/16 2	1800	3600
2-3/16 2-1/4	1600	3200
2-7/16 2-1/2	1200	2800
2-11/16 2-3/4 2-15/16 3	1200	2400
3-7/16 3-1/2	1000	2000
3-15/16 4	900	1600
4-7/16	700	1200
4-15/16	500	1000

### Ordering information - Example



DOWNLOAD AVAILABLE CAD MODELS AT: [WWW.HUBCITYINC.COM](http://WWW.HUBCITYINC.COM)

**Certified prints are available upon request**

EMAIL: [hubsales@regalbeloit.com](mailto:hubsales@regalbeloit.com) • [www.hubcityinc.com](http://www.hubcityinc.com)



# Hub City ModuLine® Spherical Roller Bearing Units

## Engineering and Selection Information

### PROCEDURE TO CONVERT SPHERICAL ROLLER BEARING FROM FIXED TO FLOATING (NON-EXPANSION TO EXPANSION)

#### FLANGE BLOCK HOUSING

1. Make a reference mark on the housing and retaining nut.
2. Loosen set screws in housing that lock the retaining nut in place.
3. Loosen retaining nut by tapping with a hammer and punch, rotating retaining nut counter clockwise one complete revolution.
4. Tighten set screws in housing to lock retaining nut in place.

Please note: When converting a Spherical Roller bearing from fixed to floating, please ensure that the bearing is correctly oriented. A bearing that has been converted to expansion can only float in the direction of the loosened retaining nut.

#### PILLOW BLOCK HOUSING

1. Determine amount and direction of expansion needed. If uni-directional expansion is required, follow above directions on the nut that is on the side where expansion is desired
2. If bi-directional expansion is required follow the directions above on both nuts but the rotation should be one-half a revolution on each nut instead of one complete revolution.

### PROCEDURE TO CONVERT SPHERICAL ROLLER BEARING FROM FLOATING TO FIXED (EXPANSION TO NON-EXPANSION)

#### FLANGE BLOCK HOUSING

1. Loosen set screws in housing that lock the retaining nut in place.
2. Tighten retaining nut by tapping with a hammer and punch, rotating retaining nut clockwise until tight. It is not possible to over-tighten the retaining nut.
3. Tighten set screw in housing to lock retaining nut in place.

#### PILLOW BLOCK HOUSING

1. Follow directions above on both nuts on either side of the housing.

Please Note: When converting from floating to fixed on a bearing that is mounted in the application, the set screws on the collars must be loosened to allow the insert to move in the housing and on the shaft.

# Hub City ModuLine® Spherical Roller Bearing Units

## Load Ratings

### Radial and Equivalent Load Ratings By Operating Speed

Shaft Size (in)	Life Hrs	Operating Speed (RPM)										
		50	100	200	500	1000	1200	1500	1800	2400	3000	3500
1-7/16 1-1/2	5000	8997	7257	5906	4487	3648	3478	3260	3079	2833	2637	2515
	10000	7308	5894	4798	3644	2963	2825	2647	2501	2301	2141	2043
	20000	5936	4788	3896	2960	2407	2294	2150	2032	1870	1739	1659
	50000	4509	3637	2960	2248	1828	1743	1633	1544	1420	1322	1261
	100000	3662	2954	2405	1827	1485	1416	1327	1253	1153	1073	1024
1-11/16 1-3/4	5000	9398	7580	6169	4686	3810	3633	3405	3217	2959	2754	2627
	10000	7633	6157	5011	3807	3095	2951	2765	2613	2404	2237	2134
	20000	6200	5001	4070	3092	2514	2397	2246	2123	1952	1817	1733
	50000	4709	3799	3092	2349	1909	1821	1706	1612	1484	1380	1317
	100000	3826	3085	2511	1907	1551	1479	1386	1310	1205	1121	1069
1-15/16 2	5000	9996	8062	6562	4985	4053	3864	3621	3422	3148	2930	2795
	10000	8119	6549	5330	4049	3292	3139	2941	2779	2557	2380	2270
	20000	6595	5319	4329	3289	2674	2550	2390	2257	2077	1933	1844
	50000	5010	4041	3289	2498	2031	1937	1815	1715	1578	1468	1401
	100000	4069	3283	2671	2029	1650	1573	1474	1393	1281	1193	1137
2-3/16 2-1/4	5000	12131	9785	7963	6050	4918	4689	4395	4153	3820	3556	3391
	10000	9854	7947	6469	4913	3995	3809	3570	3373	3103	2888	2754
	20000	8003	6456	5254	3991	3245	3093	2899	2740	2521	2346	2237
	50000	6080	4903	3991	3032	2465	2351	2202	2081	1915	1782	1699
	100000	4938	3983	3242	2463	2002	1910	1789	1690	1555	1447	1381
2-7/16 2-1/2	5000	17693	14271	11615	8823	7175	6840	6410	6056	5572	5187	
	10000	14372	11592	9435	7167	5827	5556	5206	4919	4526	4212	
	20000	11673	9416	7663	5821	4734	4512	4228	3996	3676	3421	
	50000	8868	7153	5821	4423	3596	3428	3212	3035	2793	2599	
	100000	7203	5810	4729	3592	2920	2785	2609	2465	2268	2111	
2-11/16 2-3/4 2-15/16 3	5000	19094	15401	12534	9522	7742	7382	6917	6536	6014		
	10000	15509	12509	10181	7735	6288	5996	5618	5308	4885		
	20000	12597	10161	8270	6282	5108	4890	4564	4312	3967		
	50000	9570	7719	6282	4773	3880	3699	3467	3275	3014		
	100000	7774	6269	5103	3876	3152	3005	2816	2661	2448		
3-7/16 3-1/2	5000	30492	24593	20017	15205	12363	11788	11046	10437	9603		
	10000	24766	19977	16258	12351	10042	9575	8972	8477	7800		
	20000	20117	16225	13206	10032	8157	7777	7288	6886	6335		
	50000	15282	12326	10032	7621	6197	5907	5536	5231	4813		
	100000	12413	10012	8148	6190	5033	4799	4496	4249	3909		
3-15/16 4	5000	37989	30641	24938	18944	15403	14685	13762	13004			
	10000	30857	24888	20256	15388	12511	11928	11178	10563			
	20000	25064	20215	16452	12498	10163	9689	9079	8580			
	50000	19039	15357	12498	9494	7720	7361	6897	6517			
	100000	15465	12473	10152	7712	6270	5979	5602	5293			
4-7/16	5000	47981	38700	31497	23927	19454	18548	17382	16424			
	10000	38972	31434	25584	19435	15802	15066	14118	13340			
	20000	31655	25533	20780	15786	12835	12237	11468	10836			
	50000	24047	19396	15786	11992	9750	9296	8712	8231			
	100000	19532	15755	12822	9741	7920	7551	7076	6686			
4-15/16	5000	55228	44546	36256	27542	22393	21350	20007				
	10000	44860	36183	29448	22371	18189	17341	16251				
	20000	36438	29389	23920	18170	14774	14086	13200				
	50000	27680	22326	18170	13803	11224	10700	10028				
	100000	22483	18134	14760	11212	9116	8691	8145				

ModuLine® Spherical Roller P

These ratings are published as a guide only. Actual bearing life can be influenced by many factors including contamination, speed, loading, vibration etc. For help in determining actual application life, please consult factory."

DOWNLOAD AVAILABLE CAD MODELS AT: [WWW.HUBCITYINC.COM](http://WWW.HUBCITYINC.COM)

**Certified prints are available upon request**

EMAIL: [hubsales@regalbeloit.com](mailto:hubsales@regalbeloit.com) • [www.hubcityinc.com](http://www.hubcityinc.com)



# Hub City ModuLine® Spherical Roller Bearing Units

## Chemical Compatibility of Seal Materials

A - Little to no effect  
 B - Minor to moderate effect  
 C - Severe effect to destruction  
 N - No data. Test prior to use

Chemical	Urethane	Nitrile	Viton	Teflon
Acetaldehyde	C	C	C	A
Acetamide	N	A	B	A
Acetic Acid	C	B	B	A
Acetic Anhydride	C	C	C	A
Acetone	C	C	C	A
Acetyl Bromide	C	N	N	N
Acetyl Chloride	C	C	A	A
Acetylene	C	A	A	A
Adipic Acid	A	A	N	A
Aeor Shell Grease	B	A-B	A	A
Aero Lubriplate	A	A	A	A
Aero Safe 2300	N	C	C	A
Aerozene 50	N	C	C	A
Aluminum Acetate	N	A	C	A
Aluminum Bromide	N	A	A	A
Aluminum Chloride	B	A	A	A
Aluminum Sulfate	B	A	A	A
Ammonia	B	B	C	A
Ammonium Carbonate	B	C	N	A
Ammonium Chloride	N	A	A	A
Ammonium Hydroxide	B	C	A	A
Ammonium Nitrate	B	A	N	A
Ammonium Persulfate	B	C	N	A
Ammonium Sulfate	B	A	C	A
Ammonium Sulfide	B	A	C	A
Ammonium Thiocyanate	B	N	N	A
Ammonium Acetate	C	N	N	A
Amyl Acetate	C	C	C	A
Amyl Alcohol	C	B	C	A
Aniline	C	C	C	A
Aniline Hydrochloride	C	B	B	B
Animal Fats & Oils	B	A	A	A
Antimony Salts	B	N	N	A
Aqua Regia	C	C	B	A
Arsenic Salts	B	N	N	A
ASTM Oil #1	A	A	A	A
ASTM Oil #2	B	A	A	A
ASTM Oil #3	B	A	A	A
ASTM Reference Fuel	A	A	A	A
ASTM Reference Fuel	B	B	A	A
Atlantic Oil	A	A	A	A
Barium Carbonate	B	A	A	A
Barium Hydroxide	A	A	A	A
Beer	A	A	A	A
Benzaldehyde	B	C	C	A
Benzene	C	C	B	A
Benzoic Acid	B	C	A	A
Black Sulphate Liquors	N	B	A	A
Bleach Solutions	N	C	A	B

A - Little to no effect  
 B - Minor to moderate effect  
 C - Severe effect to destruction  
 N - No data. Test prior to use

Chemical	Urethane	Nitrile	Viton	Teflon
Boric Acid	A	A	A	A
Brake Fluid	N	C	C	N
Bromine	B	C	A	C
Bunker Oil	A	A	A	A
Butane	A	A	A	A
Butyl Acetate	C	C	C	A
Butyl Alcohol	B	A	A	A
Calcium Carbonate	B	A	A	A
Calcium Chloride	A	A	A	A
Calcium Hydroxide	A	A	A	A
Calcium Nitrate	B	A	A	A
Calcium Sulfate	B	B	B	A
Carbon Dioxide	A	A	A	A
Carbon Disulfide	B	C	A	A
Carbon Monoxide	A	A	A	A
Carbon Tetrachloride	C	C	A	A
Chlorine	N	C	A	B
Chloroacetic Acid	C	C	C	N
Chloroform	C	N	N	B
Chromic Acid	C	C	A	B
Chromium Potassium Sulfate	A	N	N	N
Citric Acid	B	A	A	A
Corn Oil	A	A	A	A
Cottonseed Oil	A	A	A	A
Cresol	C	C	A	A
Crude Oil	B	B	A	A
Cupric Chloride	A	B	B	A
Cupric Nitrate	B	N	N	A
Cupric Sulfate	B	B	B	A
Cutting Oil	B	A	A	A
Cyclohexane	B	A	A	A
Cyclohexanone	C	C	A	A
Dibutyl Phthalate	C	C	C	B
Dichlorobenzene	C	N	N	B
Diesel Fuel	B	A	A	A
Diester Oil	B	B	A	A
Dimethyl Acetamide	C	N	N	A
Dimethyl Formamide	C	B	C	A
Dodecyl Mercaptan	B	N	N	N
DTE Oil	B	A	N	N
Dubutyl Ether	B	C	C	N
EP Lubes	A	A	A	A
Esso #90 Lube Oil	A	A	A	A
Ether	B	N	N	A
Ethyl Acetate	C	C	C	A
Ethyl Alcohol (Ethanol)	C	A	C	A
Formic Acid	C	B	C	A
Freon, 12 or 113	A	A	B	A
Fuel Oil	B	A	A	A

DOWNLOAD AVAILABLE CAD MODELS AT: [WWW.HUBCITYINC.COM](http://WWW.HUBCITYINC.COM)

# Hub City ModuLine® Spherical Roller Bearing Units

## Chemical Compatibility of Seal Materials

A - Little to no effect B - Minor to moderate effect C - Severe effect to destruction N - No data. Test prior to use				
Chemical	Urethane	Nitrile	Viton	Teflon
Gasoline	B	B	A	A
Glucose	A	A	A	A
Glue	N	A	A	A
Glycerin	A	A	A	A
Heptane	A	N	N	A
Hexane	A	A	A	A
Hydrazine	C	B	C	B
Hydrobromic Acid	B	C	A	A
Hydrocarbon Oil	A	A	A	A
Hydrochloric Acid	B	C	B	A
Hydrofluoric Acid	B	C	C	A
Hydrogen	A	A	A	A
Hydrogen Peroxide	B	C	A	B
Hydrogen Sulfide	C	C	C	A
Hydrologic Acid	B	N	N	N
Iodine	A	B	A	A
Isobutyl Alcohol	N	B	A	A
Isopropyl Chloride	N	C	A	A
Isopropyl Ether	B	B	C	N
Isopropyl Alcohol (Propanol)	B	A	A	N
JP4 Oil	B	A	A	A
JP5 & 6 Oil	C	A	A	A
Kerosene	B	A	A	A
Lactic Acid	B	B	A	A
Lead Acetate	B	B	C	A
Linseed Oil	B	A	A	A
Liquefied Petroleum Gas	A	A	A	N
Lubrication Oil	B	A	A	A
Lye	N	B	B	A
Magnesium Chloride	N	A	A	A
Magnesium Hydroxide	A	B	A	A
Magnesium Salts	B	A	A	A
Malaic Acid	C	C	A	A
Mercury	B	A	A	A
Methyl Alcohol (methanol)	A	C	A	N
Methyl Ethyl Ketone	C	C	C	A
Methylene Chloride	C	C	B	A
MIL-D-5606 Oil	C	A	A	A
MIL-L7808 Oil	B	B	A	A
Mineral Oil	A	A	A	A
Mineral Spirits	N	B	A	A
Naphthalene	B	C	A	A
Natural Gas	B	A	A	A
Nickel Salts	C	A	A	A
Oxygen	A	B	A	A
Ozone	A	C	A	A
Paimitic Acid	A	A	A	A
Paint Thinner	B	C	B	A
Peanut Oil	A	A	A	A

A - Little to no effect B - Minor to moderate effect C - Severe effect to destruction N - No data. Test prior to use				
Chemical	Urethane	Nitrile	Viton	Teflon
Perchloric Acid	C	C	A	A
Perchloroethylene	C	B	A	A
Petroleum	B	A	A	A
Phenol (carbolic acid)	C	C	A	A
Phosphoric Acid	C	C	A	A
Potassium Cyanide	A	A	A	A
Potassium Salts	B	A	A	A
Propane	B	A	A	A
Propyl Alcohol	B	A	A	A
Propylene Glycol	B	N	N	A
Pydraul Oil	C	C	A	A
SAE #10 Oil	A	A	A	A
Seawater	A	A	A	A
Silicic Acid	B	N	N	A
Silver Nitrate	B	B	A	A
Skydrol Oil	C	C	C	A
Soap	B	A	A	A
Sodium Acetate	A	B	C	A
Sodium Bicarbonate	B	A	A	A
Sodium Borate	B	A	A	A
Sodium Carbonate	B	A	A	A
Sodium Chloride	B	A	A	A
Sodium Cyanide	B	A	A	A
Sodium Hydrosulfite	B	N	N	A
Sodium Hydroxide	B	B	B	A
Sodium Hypochlorite	C	B	A	A
Sodium Nitrate	B	B	N	A
Sodium Silicate	A	A	A	A
Sodium Sulfate	B	A	A	A
Sodium Sulfide	B	A	A	A
Steam	C	C	C	A
Styrene	B	C	B	A
Sulfur Dioxide	B	C	A	A
Sulfuric Acid	C	C	A	A
Tannic Acid	A	A	A	A
Tartaric Acid	A	A	A	A
Toluene	C	N	N	A
Transformer Oil	B	N	N	A
Turpentine	C	A	A	A
Urea	B	N	N	A
Varnish	B	B	A	A
Water	B	A	A	A

DOWNLOAD AVAILABLE CAD MODELS AT: [WWW.HUBCITYINC.COM](http://WWW.HUBCITYINC.COM)

**Certified prints are available upon request**

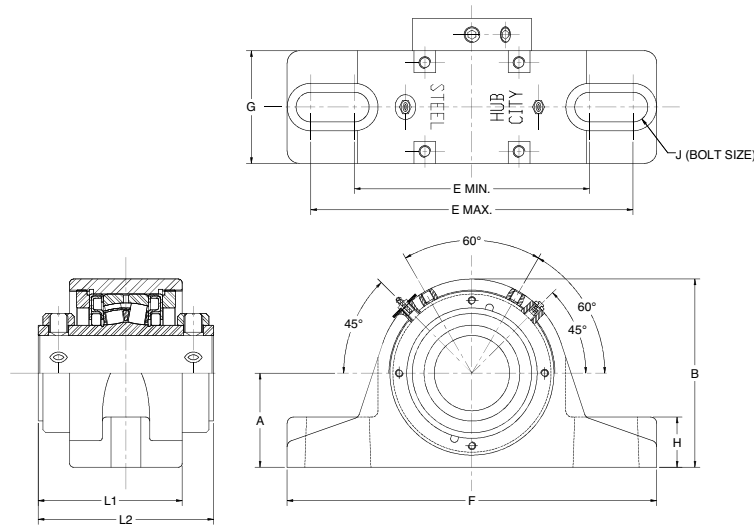
EMAIL: [hubsales@regalbeloit.com](mailto:hubsales@regalbeloit.com) • [www.hubcityinc.com](http://www.hubcityinc.com)





# Hub City ModuLine® Spherical Roller Bearing Units

## Traditional Straight Bore Dimensions - Model KPB



Note: Dimensions  $\frac{\text{in}}$   
Shown are:  $\frac{\text{mm}}$

Note: Shaft sizes 2-15/16" and up have a dual locking collar, L2 dimension applies.

Bearing bore size tolerances are as follows:  
1.4375 to 2.500 +.001/-0  
2.6875 to 4.9375 +.0015/-0

### Two Bolt Pillow Blocks

DESCRIPTION	BORE SIZE	SET-SCREW	A	B	E (MIN)	E (MAX)	F	G	H	J (BOLT SIZE)	L1	L2	WEIGHT (LBS.)		
KPB1-7/16*	1.438	3/8-24 UNF	1.875	3.75	4.69	5.31	6.87	2.24	1.00	1/2	2.87		12		
KPB1-1/2L*	1.500		[47.63]	[95.3]	[119.0]	[134.9]	[174.6]	[57.0]	[25.4]		[73.0]				
KPB1-11/16*	1.688	3/8-24 UNF	2.125	4.13	5.25	5.81	7.13	2.24	1.00	1/2	3.00		14		
KPB1-3/4*	1.750		[53.98]	[105.0]	[133.4]	[147.6]	[181.0]	[57.0]	[25.4]		[76.1]				
KPB1-15/16*	1.938	3/8-24 UNF	2.250	4.50	5.94	6.56	8.13	2.24	1.22	5/8	3.00		14		
KPB2*	2.000		[57.15]	[114.3]	[150.8]	[166.7]	[206.4]	[57.0]	[31.0]		[76.1]				
KPB2-3/16*	2.188	3/8-24 UNF	2.500	5.00	6.50	7.06	8.87	2.36	1.22	5/8	3.18		18		
KPB2-1/4*	2.250		[63.50]	[127.0]	[165.1]	[179.4]	[225.4]	[60.0]	[31.0]		[80.8]				
KPB2-7/16*	2.438	1/2-20 UNF	2.750	5.50	6.81	7.44	9.25	2.80	1.38	5/8	3.52		23		
KPB2-1/2*	2.500		[69.85]	[139.7]	[173.0]	[188.9]	[235.0]	[71.0]	[35.0]		[89.5]				
KPB2-11/16*	2.688	1/2-20 UNF								3/4	3.84		30		
KPB2-3/4*	2.750		[82.55]	[161.9]	[196.0]	[214.0]	[265.1]	[74.2]	[35.0]		[97.4]				
KPB2-15/16*	2.938												4.75		30
KPB3*	3.000		[120.7]												
KPB3-7/16*	3.438	1/2-20 UNF	3.750	7.50	9.25	10.75	13.00	3.50	1.85	7/8		5.19	45		
KPB3-1/2*	3.500		[95.25]	[190.5]	[235.0]	[273.0]	[330.2]	[88.9]	[47.0]		[131.7]				
KPB3-15/16*	3.938	5/8-18 UNF	4.250	8.50	10.00	12.88	15.25	3.74	2.00	1		5.94	60		
KPB4*	4.000		[107.95]	[215.9]	[254.0]	[327.2]	[387.4]	[95.0]	[50.8]		[150.8]				

\* Specify Seal Design and Material

LT: Labyrinth Teflon (std)

DN: Double Lip Nitrile

TN: Triple Lip Nitrile

See pages P-3 and P-5 for more information

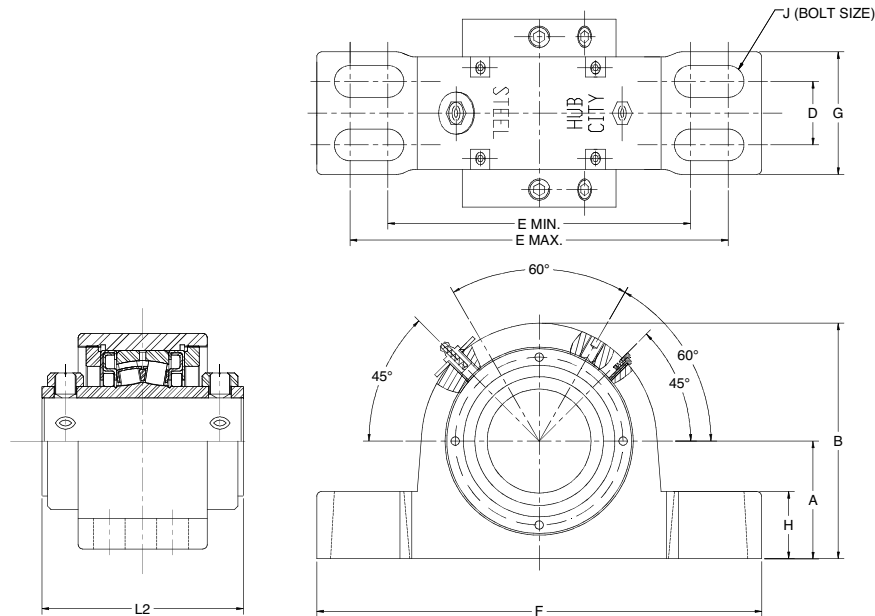
DOWNLOAD AVAILABLE CAD MODELS AT: WWW.HUBCITYINC.COM

Certified prints are available upon request

CALL: (605) 225-0360 • FAX: (605) 225-0567

# Hub City ModuLine® Spherical Roller Bearing Units

## Traditional Straight Bore Dimensions - Model KPBF



Note: Dimensions  
Shown are:  $\frac{\text{in}}{\text{mm}}$

Bearing bore size tolerances are as follows:  
1.4375 to 2.500 +.001/-0  
2.6875 to 4.9375 +.0015/-0

### Four Bolt Pillow Blocks

DESCRIPTION	BORE SIZE	SET-SCREW	A	B	D	E (MIN)	E (MAX)	F	G	H	J (BOLT SIZE)	L2	WEIGHT (LBS.)
KPBF3-7/16*	3.438	1/2-20 UNF	3.750 [95.25]	7.50 [190.5]	1.97 [50.0]	8.88 [225.5]	10.88 [276.3]	12.30 [312.4]	3.74 [95.0]	1.85 [47.0]	3/4	5.19 [131.7]	45
KPBF3-15/16*	3.938	5/8-18 UNF	4.250 [107.95]	8.50 [215.9]	2.25 [57.1]	10.88 [276.3]	13.39 [340.0]	14.88 [378.0]	4.33 [110.0]	2.00 [50.8]	3/4	5.94 [150.8]	60
KPBF4-7/16*	4.438	5/8-18 UNF	4.750 [120.65]	9.70 [246.4]	2.50 [63.5]	13.00 [330.2]	14.00 [355.6]	15.88 [403.3]	4.72 [120.0]	2.00 [50.8]	3/4	6.13 [155.6]	90
KPBF4-15/16*	4.938	5/8-18 UNF	5.500 [139.70]	10.98 [279.0]	2.76 [70.0]	15.00 [381.0]	16.00 [406.4]	18.63 [473.1]	5.12 [130.0]	2.00 [50.8]	7/8	6.63 [168.3]	90

\* Specify Seal Design and Material

LT: Labyrinth Teflon (std)

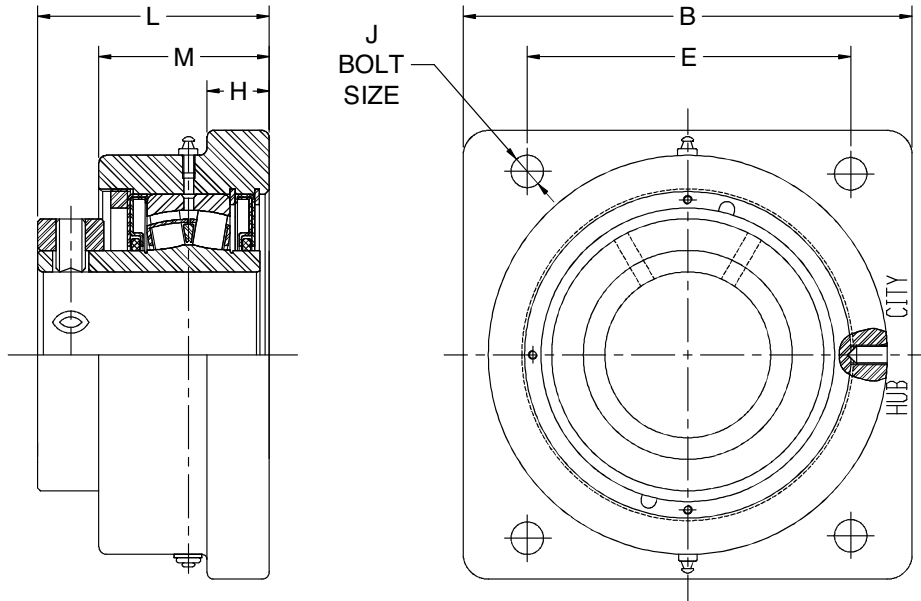
DN: Double Lip Nitrile

TN: Triple Lip Nitrile

See pages P-3 and P-5 for more information

# Hub City ModuLine® Spherical Roller Bearing Units

## Traditional Straight Bore Dimensions - Model KFB



Bearing bore size tolerances are as follows:  
 1.4375 to 2.500 +.001/-0  
 2.6875 to 4.9375 +.0015/-0

Note: Dimensions  $\frac{\text{in}}$   
 Shown are:  $\frac{\text{mm}}$

### Four Bolt Flange Blocks

DESCRIPTION	BORE SIZE	SET-SCREW	B	E	H	J (BOLT SIZE)	L	M	WEIGHT (LBS.)
KFB1-7/16*	1.438	3/8-24 UNF	4.63 [117.5]	3.53 [89.7]	0.63 [16.0]	1/2	2.87 [73.0]	2.13 [54.0]	10
KFB1-1/2*	1.500								
KFB1-11/16*	1.688	3/8-24 UNF	5.37 [136.5]	3.89 [98.8]	0.63 [16.0]	1/2	2.99 [76.0]	2.20 [56.0]	10
KFB1-3/4*	1.750								
KFB1-15/16*	1.938	3/8-24 UNF	5.19 [131.8]	4.06 [103.2]	0.63 [16.0]	1/2	2.99 [76.0]	2.20 [56.0]	12
KFB2*	2.000								
KFB2-3/16*	2.188	3/8-24 UNF	5.87 [149.2]	4.50 [114.3]	0.79 [20.0]	5/8	3.24 [82.4]	2.44 [62.0]	14
KFB2-1/4*	2.250								
KFB2-7/16*	2.438	1/2-20 UNF	6.19 [157.2]	4.76 [121.0]	0.87 [22.0]	5/8	3.49 [88.7]	2.72 [69.0]	18
KFB2-1/2*	2.500								
KFB2-11/16*	2.688	1/2-20 UNF	7.19 [182.6]	5.56 [141.3]	0.87 [22.0]	3/4	3.74 [95.1]	2.72 [69.0]	24
KFB2-3/4*	2.750								
KFB2-15/16*	2.938								
KFB3*	3.000								
KFB3-7/16*	3.438	1/2-20 UNF	8.37 [212.7]	6.72 [170.7]	0.94 [24.0]	3/4	4.15 [105.4]	3.11 [79.0]	35
KFB3-1/2*	3.500								
KFB3-15/16*	3.938	5/8-18 UNF	9.50 [241.3]	7.59 [192.9]	1.10 [28.0]	1	4.71 [119.7]	3.50 [89.0]	55
KFB4*	4.000								

\* Specify Seal Design and Material  
 LT: Labyrinth Teflon (std)  
 DN: Double Lip Nitrile  
 TN: Triple Lip Nitrile  
 See pages P-3 and P-5 for more information

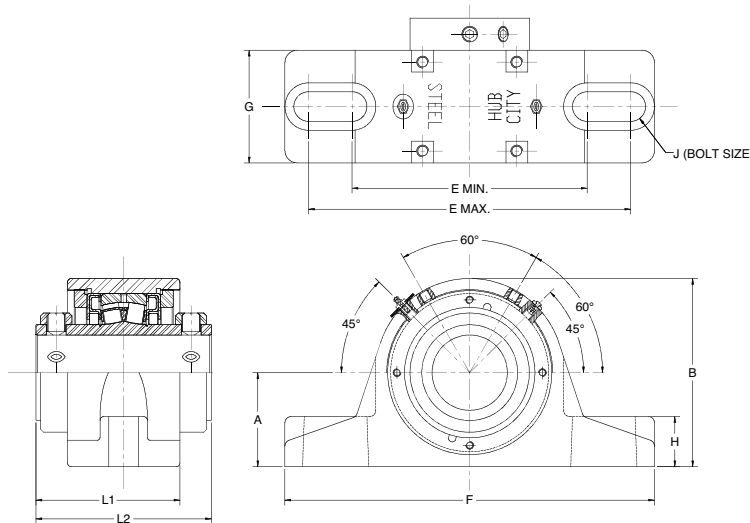
DOWNLOAD AVAILABLE CAD MODELS AT: [WWW.HUBCITYINC.COM](http://WWW.HUBCITYINC.COM)

**Certified prints are available upon request**

CALL: (605) 225-0360 • FAX: (605) 225-0567

# Hub City ModuLine® Spherical Roller Bearing Units

## Type E Dimensions - Model KPBE



Note: Dimensions  $\frac{\text{in}}$   
Shown are:  $\frac{\text{mm}}$

Note: Shaft sizes 2-15/16" and up have a dual locking collar, L2 dimension applies.

Bearing bore size tolerances are as follows:  
1.4375 to 2.500 +.001/-0  
2.6875 to 4.9375 +.0015/-0

### Two Bolt Pillow Blocks

DESCRIPTION	BORE SIZE	SET-SCREW	A	B	E (MIN)	E (MAX)	F	G	H	J (BOLT SIZE)	L1	L2	WEIGHT (LBS.)											
KPBE1-7/16*	1.438	3/8-24 UNF	1.875	3.75	4.69	6.00	7.36	2.24	1.00	1/2	2.87		12											
KPBE1-1/2*	1.500		[47.63]	[95.3]	[119.0]	[152.4]	[187.0]	[57.0]	[25.4]					[73.0]										
KPBE1-11/16*	1.688	3/8-24 UNF	2.125	4.13	5.69	6.50	7.87	2.24	1.00	1/2	3.00		14											
KPBE1-3/4* Δ	1.750		[53.98]	[105.0]	[144.5]	[165.1]	[200.0]	[57.0]	[25.4]															
KPBE1-15/16*	1.938	3/8-24 UNF	2.250	4.50	6.00	7.25	8.86	2.24	1.22	5/8	3.00		14											
KPBE2*	2.000		[57.15]	[114.3]	[152.4]	[184.2]	[225.0]	[57.0]	[31.0]															
KPBE2-3/16*	2.188	3/8-24 UNF	2.500	5.00	6.50	8.00	9.63	2.36	1.22	5/8	3.18		18											
KPBE2-1/4* Δ	2.250		[63.50]	[127.0]	[165.1]	[203.2]	[244.5]	[60.0]	[31.0]															
KPBE2-7/16*	2.438	1/2-20 UNF	2.750	5.50	6.88	8.74	10.24	2.80	1.38	5/8	3.52		23											
KPBE2-1/2*	2.500		[69.85]	[139.7]	[174.8]	[222.0]	[260.0]	[71.0]	[35.0]															
KPBE2-11/16*	2.688	1/2-20 UNF	3.125	6.25	7.88	9.76	11.75	2.92	1.38	3/4	3.84		30											
KPBE2-3/4*	2.750													[79.38]	[158.8]	[200.2]	[248.0]	[298.5]	[74.2]	[35.0]				
KPBE2-15/16*	2.938																							
KPBE3* Δ	3.000																						4.75	
KPBE3-7/16*	3.438	1/2-20 UNF	3.75	7.50	9.38	11.50	13.74	3.50	1.85	7/8			45											
KPBE3-1/2*	3.500		[95.3]	[190.5]	[238.3]	[292.1]	[349.0]	[88.9]	[47.0]															
KPBE3-15/16*	3.938	5/8-18 UNF	4.13	8.30	10.04	12.63	14.50	3.74	2.00	1			60											
KPBE4*	4.000		[104.8]	[210.8]	[255.0]	[320.8]	[368.3]	[95.0]	[50.8]						5.94									

\* Specify Seal Design and Material  
LT: Labyrinth Teflon (std)  
DN: Double Lip Nitrile  
TN: Triple Lip Nitrile  
See pages P-3 and P-5 for more information

Δ Note: Confirm all critical mounting dimensions. Shimming and/or housing modifications may be required when interchanging with mounted tapered roller units.

DOWNLOAD AVAILABLE CAD MODELS AT: [WWW.HUBCITYINC.COM](http://WWW.HUBCITYINC.COM)

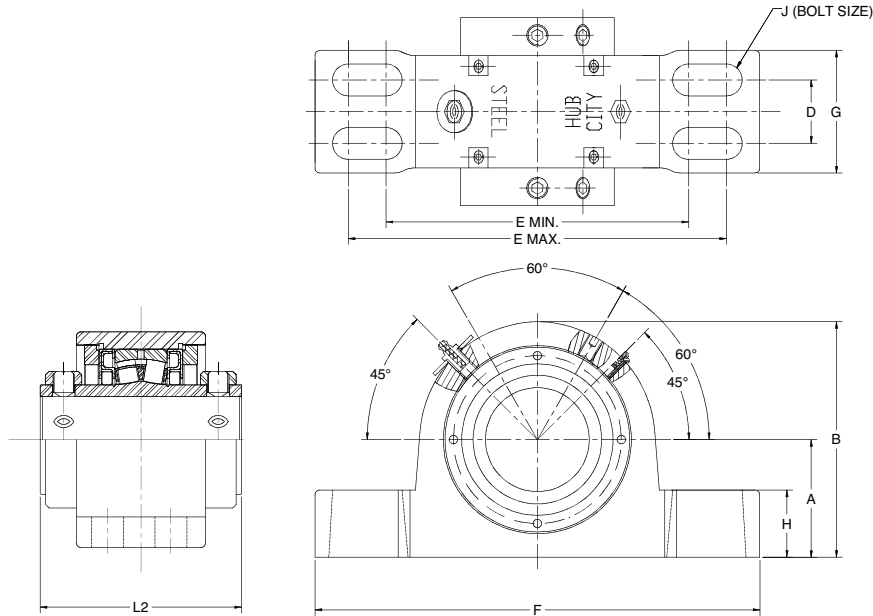
**Certified prints are available upon request**

EMAIL: [hubsales@regalbeloit.com](mailto:hubsales@regalbeloit.com) • [www.hubcityinc.com](http://www.hubcityinc.com)



# Hub City ModuLine® Spherical Roller Bearing Units

## Type E Dimensions - Model KPBE



Note: Dimensions  $\frac{\text{in}}$   
Shown are:  $\frac{\text{mm}}$

Bearing bore size tolerances are as follows:  
1.4375 to 2.500     +.001/-0  
2.6875 to 4.9375     +.0015/-0

### Four Bolt Pillow Blocks

DESCRIPTION	BORE SIZE	SET-SCREW	A	B	D	E (MIN)	E (MAX)	F	G	H	J (BOLT SIZE)	L2	WEIGHT (LBS.)
KPBEF3-7/16*	3.438	1/2-20 UNF	3.750 [95.25]	7.50 [190.5]	2.38 [60.5]	9.25 [235.0]	11.25 [285.7]	13.63 [346.2]	4.13 [105.0]	1.85 [47.0]	3/4	5.19 [131.7]	45
KPBEF3-15/16*	3.938	SEE KPBF3-15/16 (PAGE 11)										60	
KPBEF4-7/16*	4.438	5/8-18 UNF	4.750 [120.65]	9.70 [246.4]	2.50 [63.5]	11.83 [300.4]	14.50 [368.3]	16.13 [409.6]	4.72 [120.0]	2.00 [50.8]	3/4	6.13 [155.6]	90
KPBEF4-15/16*	4.938	5/8-18 UNF	5.500 [139.70]	10.98 [279.0]	2.76 [70.0]	15.13 [384.3]	15.88 [403.4]	17.50 [444.5]	5.12 [130.0]	2.00 [50.8]	7/8	6.63 [168.3]	90

\* Specify Seal Design and Material  
LT: Labyrinth Teflon (std)  
DN: Double Lip Nitrile  
TN: Triple Lip Nitrile  
See pages P-3 and P-5 for more information

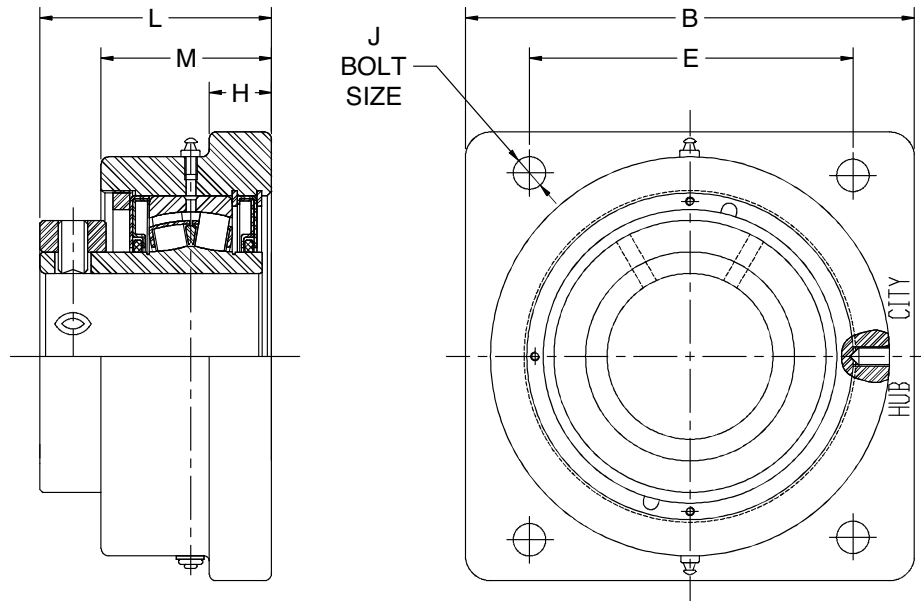
DOWNLOAD AVAILABLE CAD MODELS AT: [WWW.HUBCITYINC.COM](http://WWW.HUBCITYINC.COM)

**Certified prints are available upon request**

CALL: (605) 225-0360 • FAX: (605) 225-0567

# Hub City ModuLine® Spherical Roller Bearing Units

## Type E Dimensions - Model KFBE



### Four Bolt Flange Blocks

Note: Dimensions  $\frac{\text{in}}{\text{mm}}$   
Shown are:

DESCRIPTION	BORE SIZE	SET-SCREW	B	E	H	J (BOLT SIZE)	L	M	WEIGHT (LBS.)
KFBE1-7/16*	1.438	3/8-24 UNF	4.63	3.50	0.63	1/2	2.87	2.13	10
KFBE1-1/2*	1.500		[117.5]	[88.9]	[16.0]		[73.0]	[54.0]	
KFBE1-11/16*	1.688	3/8-24 UNF	5.38	4.13	0.63	1/2	2.99	2.20	10
KFBE1-3/4* Δ	1.750		[136.7]	[104.8]	[16.0]		[76.0]	[56.0]	
KFBE1-15/16*	1.938	3/8-24 UNF	5.62	4.38	0.63	1/2	2.99	2.20	12
KFBE2*	2.000		[142.7]	[111.1]	[16.0]		[76.0]	[56.0]	
KFBE2-3/16*	2.188	3/8-24 UNF	6.26	4.88	0.79	5/8	3.24	2.44	14
KFBE2-1/4* Δ	2.250		[159.0]	[123.8]	[20.0]		[82.4]	[62.0]	
KFBE2-7/16*	2.438	1/2-20 UNF	6.88	5.38	0.87	5/8	3.49	2.72	18
KFBE2-1/2*	2.500		[174.8]	[136.5]	[22.0]		[88.7]	[69.0]	
KFBE2-11/16*	2.688	1/2-20 UNF	7.76	6.00	0.87	3/4	3.74	2.72	24
KFBE2-3/4*	2.750								
KFBE2-15/16*	2.938								
KFBE3* Δ	3.000								
KFBE3-7/16*	3.438	1/2-20 UNF	9.25	7.00	0.94	3/4	4.15	3.11	35
KFBE3-1/2*	3.500								
KFBE3-15/16*	3.938	5/8-18 UNF	10.24	7.75	1.10	7.8	4.71	3.50	55
KFBE4*	4.000								

\* Specify Seal Design and Material

LT: Labyrinth Teflon (std)

DN: Double Lip Nitrile

TN: Triple Lip Nitrile

See pages P-3 and P-5 for more information

Δ Note: Confirm all critical mounting dimensions. Housing modifications may be required when interchanging with mounted tapered roller units.

DOWNLOAD AVAILABLE CAD MODELS AT: [WWW.HUBCITYINC.COM](http://WWW.HUBCITYINC.COM)

**Certified prints are available upon request**

EMAIL: [hubsales@regalbeloit.com](mailto:hubsales@regalbeloit.com) • [www.hubcityinc.com](http://www.hubcityinc.com)



# Hub City ModuLine® Spherical Roller Bearing Units

## Moduline® Accessories - Closed Covers

### Features

- Heavy duty metal construction
- Treated for corrosion resistance
- Can be filled with grease for an additional barrier of protection
- Includes mounting hardware for easy bolt-on attachment
- Designed for places where heavy contamination is a threat
- Effective in high moisture environments



### Closed Cover Dimensions

PART NUMBER	Shaft Size (in)	LENGTH from Bearing Centerline	Max Shaft Length (From Centerline)	Cover Body Diameter
1029-20401	1-7/16	2.8	2.5	2.75
	1-1/2			
1029-20402	1-11/16	2.8	2.5	2.95
	1-3/4			
1029-20403	1-15/16	2.9	2.7	3.15
	2			
1029-20404	2-3/16	3.2	2.9	3.55
	2-1/4			
1029-20405	2-7/16	3.7	3.4	4.20
	2-1/2			
1029-20406	2-11/16	3.7	3.4	4.60
	2-3/4			
	2-15/16			
	3			
1029-20407	3-7/16	4.2	3.9	5.50
	3-1/2			
1029-20408	3-15/16	4.5	4.2	6.32
	4			
1029-20409	4-7/16	5.3	5.0	7.10
1029-20410	4-15/16	5.3	5.0	8.25

DOWNLOAD AVAILABLE CAD MODELS AT: [WWW.HUBCITYINC.COM](http://WWW.HUBCITYINC.COM)

**Certified prints are available upon request**

CALL: (605) 225-0360 • FAX: (605) 225-0567



# Hub City ModuLine® Spherical Roller Bearing Units

## Moduline® Accessories - Open Covers



### Features

- Heavy duty metal construction
- Treated for corrosion resistance
- Can be filled with grease for an additional barrier of protection
- Includes mounting hardware for easy bolt-on attachment
- Designed for places where heavy contamination is a threat
- Effective in high moisture environments
- Equipped with Teflon Labyrinth seal for superior protection at all speeds and high temperatures

### Open Cover Dimensions

PART NUMBER	Shaft Size (in)	LENGTH from Bearing Centerline	Cover Body Diameter
1029-20411	1-7/16	2.3	2.75
1029-20412	1-1/2	2.3	2.75
1029-20413	1-11/16	2.5	2.95
1029-20414	1-3/4	2.5	2.95
1029-20415	1-15/16	2.5	3.15
1029-20416	2	2.5	3.15
1029-20417	2-3/16	2.5	3.55
1029-20418	2-1/4	2.5	3.55
1029-20419	2-7/16	2.7	4.20
1029-20420	2-1/2	2.7	4.20
1029-20421	2-11/16	3.0	4.60
1029-20422	2-3/4	3.0	4.60
1029-20423	2-15/16	3.0	4.60
1029-20424	3	3.0	4.60
1029-20425	3-7/16	3.3	5.50
1029-20426	3-1/2	3.3	5.50
1029-20427	3-15/16	3.5	6.32
1029-20428	4	3.5	6.32
1029-20429	4-7/16	4.3	7.10
1029-20430	4-15/16	4.3	8.25

DOWNLOAD AVAILABLE CAD MODELS AT: [WWW.HUBCITYINC.COM](http://WWW.HUBCITYINC.COM)

**Certified prints are available upon request**

EMAIL: [hubsales@regalbeloit.com](mailto:hubsales@regalbeloit.com) • [www.hubcityinc.com](http://www.hubcityinc.com)

# Hub City ModuLine® Spherical Roller Bearing Units

## Modified and Custom Designs

If you have looked through this catalog and do not see exactly what you need, Hub City has the capability and engineering expertise to design and produce modified or custom mounted bearings.

### Capabilities range as follows:

- Special sealing requirements or materials
- Special lubricants
- Housing modifications
- High temperature inserts and lubricants
- Special paint or housing coatings
- Modifications for specific or unique application requirements

Consult the factory or your Hub City representative with your specifications.

# Hub City HubFlex® Coupling

HubFlex® Features and Advantages .....	Q-2
Green Technology and Sustainability.....	Q-3
Coupling Ordering Nomenclature .....	Q-4
Inserts .....	Q-5
Covers .....	Q-6
Coupling Selection.....	Q-7
Dimensions/Ratings .....	Q-8-9
Bore Sizes and Tolerances .....	Q-10
Torque Ratings .....	Q-11-12
Misalignment Tolerances .....	Q-13
Banded Inserts.....	Q-13
Spacer Hubs and Couplings.....	Q-14-18
Service Factors .....	Q-19-21
Compatibility Chart .....	Q-22
Safety Guidelines.....	Q-23
Quick Selection Guide .....	Q-24



# Hub City HubFlex® Coupling

## Introduction

The HubFlex® Coupling made in the USA, is one of the **easiest** and least expensive couplings to install, maintain, and repair! A complete coupling consists of 2 hubs, available in carbon or stainless steel, a urethane split insert (choose from 5 types), and a cover – either a slide over cover held in by a snap ring or a horizontally split cover for extreme torque applications.

Once you have correctly selected and properly installed a HubFlex® coupling, the split insert is all you should have to replace. Replacement of the insert is **easy** and your equipment can be back up and running in minutes! Once the hubs are installed, they never need to be moved again. Remove only the cover, replace the insert, re-install the cover, and you are ready to **GO!**

### The HubFlex® advantages:

- Fast and **easy** insert replacement.
- Low maintenance.
- Minimal downtime.
- No lubrication required.
- Urethane inserts available from **Standard Duty** to **eXtreme Duty**, **High Temperature**, and **Food Grade**.
- Can be installed vertically.
- Compact.
- Fast and **EASY** insert replacement!
- Low maintenance!
- No lubrication required!
- The teeth on the hubs do not touch or overlap thus if the insert fails, you do not have metal to metal contact that will potentially destroy the hubs.
- Reversing applications.
- No realignment required after insert replacement.
- We use PM material – a **Green Technology**.



DOWNLOAD AVAILABLE CAD MODELS AT: [WWW.HUBCITYINC.COM](http://WWW.HUBCITYINC.COM)

**Certified prints are available upon request**

CALL: (605) 225-0360 • FAX: (605) 225-0567

# Hub City HubFlex® Coupling

## Green Technology & Sustainability

### A RECOGNIZED GREEN TECHNOLOGY

HubFlex® Couplings are made from Powdered Metal (PM), which uses less energy in the manufacturing process, using “green” technology.



A recognized green  
technology

### The Sustainability Role of Powder Metallurgy

For many years, powder metallurgy has been delivering sustainable value as an industry. The following explanation compares and contrasts PM’s sustainable value with other metal forming processes.

Addressing manufacturing processes, PM’s sustainable value is primarily derived from its net-shape capabilities and its very high material-utilization factor, which minimizes all energy inputs. In general, any metal component can be manufactured by any of several manufacturing technologies. A simple gear can be produced by machining a cylindrical piece of solid bar stock, forging a steel blank in forging dies, in some cases stamping it from sheet or roll stock, possibly casting it and machining features, or in the case of PM compacting powder in tooling dies that result in the product’s final shape. The trick to evaluating the sustainability of a product’s manufacture will be found in comparing the process steps, resources, and economic costs that go into the manufacture of that product.

The net-shape capability of PM is the primary advantage in the process. When evaluating a component, such as a gear shape, you can quickly realize that there is no waste in the shaping of the component. Production of the gear by chip-generating machining would result in perhaps 40% of the material being machined away and discarded. While the machining waste can be recycled, it is extraneous to the final component and is a net loss to the material and energy eco-efficiency of the final component.

It is estimated that 85% of all PM powders are produced from recycled material. Most metals can be repetitively recycled in collectable quantities. The predominant metal powder used, iron/steel, nearly a half million tons per year, is nearly always produced via atomization of electrically melted steel scrap. Particle-size distribution in a given sample or lot of powder is controlled by sieving operations, and if the particle size needs to be adjusted, the powders can be milled to avoid waste of oversized particles. PM fabrication facilities generally realize operational-scrap losses of 3 percent or less.

The net-shape nature of PM similarly influences the energy demand per component. All manufacturing processes require the use of thermal, chemical, or mechanical energy to achieve product form. Some processes require several heating and re-heating steps to achieve final form. The only time metal for powders is melted is in the atomization step; all other thermal operations are undertaken below melting temperature, conserving energy while achieving the final shape and developing the necessary material properties/mechanical performance. In addition, there is little if any finishing to final product specifications necessary, further conserving the energy necessary to achieve final product characteristics.

### Sustainable Employment

U.S. manufacturing contributes more economic activity than any other sector of the economy, with each dollar of manufactured goods generating \$1.37 of additional economic activity. According to statistics developed by the Manufacturing Institute, manufacturing jobs pay 9% more than all employees in the U.S. economy. The 2009 U.S. Bureau of Labor Statistics placed the average value of U.S. manufacturing jobs at \$32/hour. PM average hourly wage is estimated at \$35/hour. PM manufacturing contributes significantly to local economies. In North Central Pennsylvania there is a high concentration of PM manufacturers, which constitute a significant element of the local economy in this rural area. Many companies and their employees are active in supporting community organizations.



DOWNLOAD AVAILABLE CAD MODELS AT: [WWW.HUBCITYINC.COM](http://WWW.HUBCITYINC.COM)

**Certified prints are available upon request**

EMAIL: [hubsales@regalbeloit.com](mailto:hubsales@regalbeloit.com) • [www.hubcityinc.com](http://www.hubcityinc.com)



# Hub City HubFlex® Coupling

## Coupling Ordering Nomenclature

### Hubs (2 required)

Information required: Coupling Size, Bore Sizes (driver and driven), and material (carbon steel or stainless steel)

Example: Coupling Size: HF20  
Bore Size: 5/8" Carbon Steel

HF20 CS 010 H

#### Coupling

Series	Available Soon:
HF10	HF80
HF20	HF90
HF30	HF100
HF40	HF110
HF50	HF120
HF60	
HF70	

HF50 thru HF70 (Ductile Iron)

#### Material

CS = Carbon Steel  
SS = Stainless Steel

Sizes HF50 thru HF70 are ductile iron

\*Metric, Shrink Fit, Spline Bores available on request.

Size*	
PB = Pilot Bore	
008 = 1/2"	114 = 1-7/8"
010 = 5/8"	115 = 1-15/16"
012 = 3/4"	200 = 2"
014 = 7/8"	202 = 2-1/8"
100 = 1"	203 = 2-3/16"
102 = 1-1/8"	204 = 2-1/4"
103 = 1-3/16"	206 = 2-3/8"
104 = 1-1/4"	207 = 2-7/16"
106 = 1-3/8"	208 = 2-1/2"
107 = 1-7/16"	210 = 2-5/8"
108 = 1-1/2"	212 = 2-3/4"
110 = 1-5/8"	214 = 2-7/8"
112 = 1-3/4"	215 = 2-15/16"
	300 = 3"

#### SPACER HUBS ONLY:

Spacer Hub Length: (F or F1 dimension)
12 = 1.16
14 = 1.37
17 = 1.65-1.67
18 = 1.75-1.77
19 = 1.90-1.92
21 = 2.08-2.10
24 = 2.39-2.42
29 = 2.92

#### Description

H = Hub  
S = Spacer  
SH = Spacer hub



### Insert

Information required: Coupling Size, Insert Type: Standard (Orange), Medium (Green), Extreme (Black), Hi-Temp (Grey), or Food Grade (White)

Example: Coupling Size: HF20  
Insert type: Standard (Orange)

HF20 SD -INS

#### Coupling

Series	Available Soon:
HF10	HF80
HF20	HF90
HF30	HF100
HF40	HF110
HF50	HF120
HF60	
HF70	

#### Material

SD = Standard Duty (Orange)  
MD = Medium (Green)  
XD = Extreme (Black)  
HT = Hi-Temp (Grey)  
FG = Food Grade (White)  
SB = Banded

#### Description

-INS = Insert



### Cover

Information required: Coupling Size, Standard (specify Carbon Steel or Stainless Steel), or Extreme Duty (Horizontal Split)

Example: Coupling Size: HF20  
Cover: Standard - Carbon Steel

HF20 SD -CVR

#### Coupling

Series	Available Soon:
HF10	HF80
HF20	HF90
HF30	HF100
HF40	HF110
HF50	HF120
HF60	
HF70	

#### Type

SD = Standard Duty (Carbon Steel)  
SS = Stainless Steel (Std Duty)  
XH = Extreme Duty (Horz Split)

Spacer Coupling Standard duty covers only:  
CM = Carbon Steel Modified for Spacer duty  
SM = Stainless Steel Modified for Spacer Duty

#### Description

-CVR = Cover

Standard covers available on sizes HF10 thru HF40



XH covers available from sizes HF20 thru HF70

DOWNLOAD AVAILABLE CAD MODELS AT: [WWW.HUBCITYINC.COM](http://WWW.HUBCITYINC.COM)

Certified prints are available upon request

CALL: (605) 225-0360 • FAX: (605) 225-0567

# Hub City HubFlex® Coupling

## Inserts

HubFlex® Couplings utilize urethane inserts which are resistant to oils, corrosion, most chemicals, and have excellent wear properties. Inserts are available in five materials for various applications.



### HubFlex® Orange INSERT (Standard)

- Operational temperature range of -60°F to 212°F (-50°C to 100°C).
- The regular Orange insert is made from a moderately soft urethane compound.
- Applications – vibration dampening, cushioning of shock loads, reversing, or quick starting and stopping of high inertial loads.



### HubFlex® GREEN INSERT (Medium Torque)

- Operational temperature range of -60°F to 212°F (-50°C to 100°C).
- The green insert has a higher durometer urethane resulting in a more rigid insert designed for higher torque applications than the regular insert.
- Applications - moderate to high torque. Excellent replacements for gear or grid style couplings.



### HubFlex® BLACK INSERT (Extreme - Highest Torque)

- Operational temperature range of -60°F to 212°F (-50°C to 100°C).
- The black insert provides our highest torque ratings.
- Applications - excellent replacements for gear and grid style couplings.



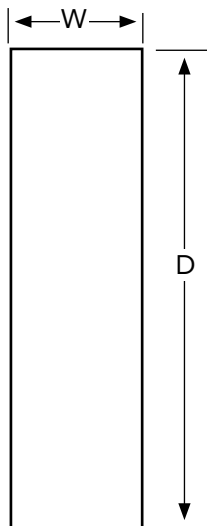
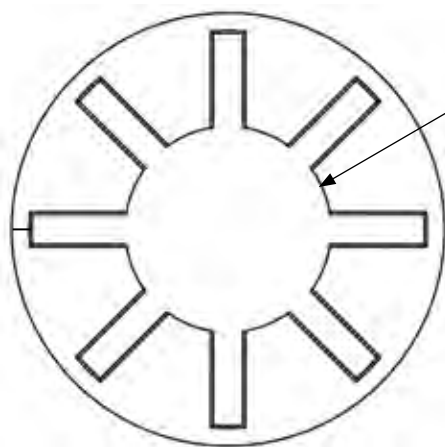
### HubFlex® GREY INSERT (High Temperature)

- Operational temperature range up to 350°F (177°C)
- The grey insert is made for applications where heat is a concern.
- Applications – same capabilities as our green insert.



### HubFlex® WHITE INSERT (Food Grade)

- Operational temperature range of -60°F to 212°F (-50°C to 100°C).
- The food grade white insert is FDA approved for use with both wet and dry foods.
- Applications – similar capabilities as the Orange insert.
- HF10 thru HF40 stock, HF50 and above available upon request.



HubFlex® Insert Dimensions (in.)

Coupling Series	R	D	W	Wt. (lbs)
HF10	1.23	2.23	0.63	0.05
HF20	1.66	2.86	0.85	0.10
HF30	2.16	3.80	1.23	0.30
HF40	2.41	5.05	1.64	0.80
HF50	3.05	6.44	2.02	1.45
HF60	3.90	7.37	2.35	2
HF70	4.13	8.20	2.32	3
Additional Sizes Available Soon:				
HF80	4.34	9.98	2.63	5
HF90	6.19	11.30	2.96	6
HF100	7.60	13.61	3.24	9
HF110	9.15	15.93	3.67	13
HF120	11.25	19.04	5.43	31

DOWNLOAD AVAILABLE CAD MODELS AT: [WWW.HUBCITYINC.COM](http://WWW.HUBCITYINC.COM)

Certified prints are available upon request

EMAIL: [hubsales@regalbeloit.com](mailto:hubsales@regalbeloit.com) • [www.hubcityinc.com](http://www.hubcityinc.com)





# Hub City HubFlex® Coupling Covers

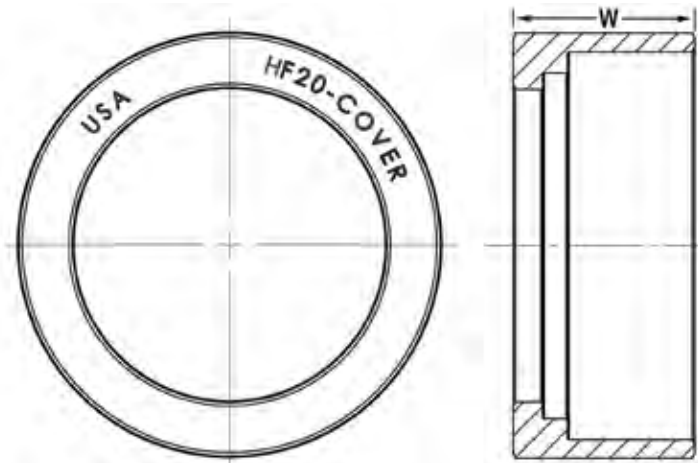
## HubFlex® Standard Cover

Designed for applications where low torque and/or high speed is present.

HubFlex® Standard Cover  
Dimensions (in.)

Cover Part # (XX=Material)	Maximum RPM*	D	W	Weight (lbs.)
HF10XX-CVR	4000	2.49	0.95	.3
HF20XX-CVR	4000	3.16	1.35	.78
HF30XX-CVR	4000	4.21	1.95	2.1
HF40XX-CVR	4000	5.48	2.38	3.3
Additional Sizes Available Upon Request:				
HF50XX-CVR	4000	7.00	2.96	10.3
HF60XX-CVR	4000	8.00	3.27	11.2
HF70XX-CVR	3800	8.88	3.50	17.9
HF80XX-CVR	3400	10.77	4.05	18

\* For applications over 4000 RPM, consult factory



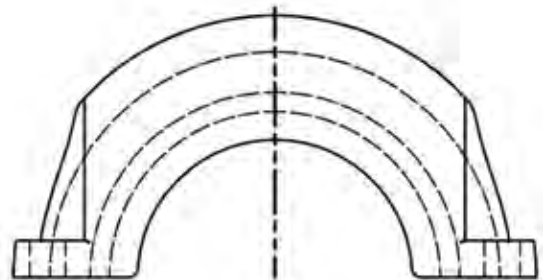
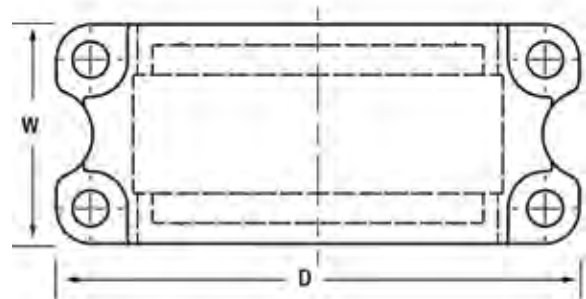
## HubFlex® Extreme Duty Cover

Designed for all applications including high or low torque and speed ratings while eliminating axial loading.

HubFlex® Extreme  
Duty Cover Dimensions (in.)

Cover Part #	Maximum RPM*	W	D	Bolt Size	Weight (lbs.)
HF20XH-CVR	4000	1.93	3.99	(4) 3/8 nc x 1-1/4	1.1
HF30XH-CVR	4000	2.61	5.34	(4) 1/2 nc x 2	2.5
HF40XH-CVR	4000	3.02	7.28	(4) 1/2 nc x 1-3/4	5.7
HF50XH-CVR	4000	5.96	7.76	(4) 1/2 nc x 2-1/4	10.3
HF60XH-CVR	4000	6.17	8.52	(4) 5/8 nc x 2-1/2	11.2
HF70XH-CVR	3800	6.54	10.29	(4) 3/4 nc x 3-1/2	17.9
HF80XH-CVR	3000	7.93	12.05	(4) 3/4 nc x 3-1/2	18

\* For applications over 4000 RPM, consult factory  
Stainless steel hardware provided with all Extreme Duty covers



DOWNLOAD AVAILABLE CAD MODELS AT: [WWW.HUBCITYINC.COM](http://WWW.HUBCITYINC.COM)

Certified prints are available upon request

CALL: (605) 225-0360 • FAX: (605) 225-0567

# Hub City HubFlex® Coupling

## Coupling Selection

### HubFlex® Coupling Selection

Information required before a coupling can be selected:

- HP and RPM or torque of driver
- Shaft sizes of driver and driven equipment
- Corresponding keyways
- Application description to determine service factor
- Environmental conditions

Step 1: Determine the Nominal Torque (T) of your application:

$$\text{in/lbs} = T = \frac{(63025 \times \text{HP})}{\text{RPM}}$$

HP = Drive Horsepower

RPM = Drive Shaft Revolutions Per Minute

Step 2: Refer to pages 15-17 to determine Application Service Factor

Step 3: Calculate the Design Torque of your application.

Design Torque = Nominal Torque (T) x Application Service Factor

Example:

Driver: 5HP, 1800RPM electric motor

Driven: belt conveyor (refer to pages 15-17)

$$\text{in/lbs} = T = \frac{(63025 \times 5\text{HP})}{1800}$$

Nominal Torque (T) = 175 in/lbs

Design Torque = 175 (Nominal Torque) x 1.75 (Application Service Factor from pages 15-17)

Design Torque = 306.25 in/lbs Torque

Step 4: Refer to page 8 to select correct coupling size - ie. HF10

Step 5: Confirm that the shaft size of the driver and driven shafts are equal to or less than the maximum bore size (refer to coupling dimensional pages)

Step 6: Confirm environmental conditions to determine correct cover, hubs, and insert material (stainless steel or carbon steel hubs and cover, food grade, high temp or standard insert)

\* For reversing applications with high inertia loads, please Consult Factory.

DOWNLOAD AVAILABLE CAD MODELS AT: [WWW.HUBCITYINC.COM](http://WWW.HUBCITYINC.COM)

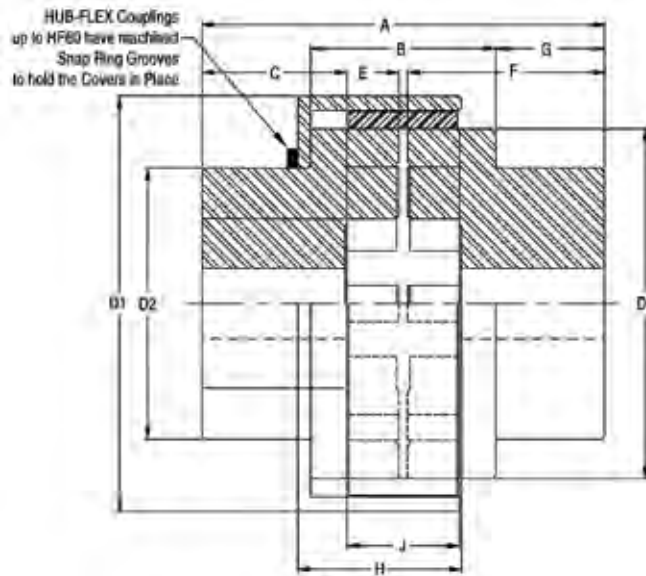
**Certified prints are available upon request**

EMAIL: [hubsales@regalbeloit.com](mailto:hubsales@regalbeloit.com) • [www.hubcityinc.com](http://www.hubcityinc.com)



# Hub City HubFlex® Coupling

## Dimensions/Ratings



‡Note: Sizes HF50 thru HF70 Standard Cover are available upon request.

### HubFlex® Standard Coupling Dimensions (in.)

Coupling Series	Pilot Bore Diameter	Maximum Bore Size****	Maximum RPM*	Maximum Torque (in-lbs)***	A	B	D1	D2	D3	C	E <sub>MIN</sub>	E <sub>MAX</sub>	F	G	H	J	WT** (lbs)
HF10	1/2	1-1/4	4000	792	2.80	1.03	2.49	2.00	2.07	1.08	0.062	0.092	1.37	0.88	0.95	0.66	2.5
HF20	1/2	1-5/8	4000	1965	3.54	1.28	3.16	2.31	2.55	1.34	0.036	0.110	1.75	1.14	1.35	0.88	4.2
HF30	3/4	2-1/8	4000	6183	4.86	2.00	4.21	3.19	3.37	1.81	0.080	0.205	2.39	1.42	1.95	1.21	10.4
HF40	7/8	2-3/8	4000	13680	5.96	2.42	5.48	3.52	4.49	2.16	0.035	0.208	2.96	1.78	2.38	1.66	16.2
HF50‡	1	3	4000	27468	7.07	3.48	7.00	4.25	5.92	2.46	0.140	0.290	3.40	1.76	2.96	2.19	37
HF60‡	1	3-7/8	4000	46510	7.69	3.67	8.00	5.50	6.75	2.67	0.188	0.208	3.75	2.00	3.27	2.45	57
HF70‡	1-1/2	4-1/8	3800	60430	8.51	3.96	8.88	5.79	7.48	3.10	0.100	0.230	4.21	2.33	3.50	2.49	71
Additional Sizes Available Soon:																	
HF80	1-7/8	4-1/2	3400	114227	10.13	4.67	10.77	7.00	9.25	3.75	0.125	0.250	5.00	2.75	4.05	2.75	126

\* For applications over 4000 RPM, consult factory

\*\* All weights shown are approximate for a complete standard coupling assembly.

\*\*\* Maximum torque values (in-lbs) are based on use with green insert. Refer to page 12 for complete torque ratings.

\*\*\*\* Maximum bore size has reduced keyway on sizes HF20, HF30 and HF40.

Reduced keyways in max bore hubs measure as follows: HF20X1-5/8" - 3/8" x 3/32" keyway, HF30X2-1/8" - 1/2" x 1/8" keyway, HF40X2-3/8" - 5/8" x 5/32" keyway

### HubFlex® Insert Maximum Torque Ratings (in-lbs)

Coupling Series	Orange	GREEN	BLACK	GREY	WHITE
HF10	365	792	-	792	365
HF20	1003	1965	-	1965	1003
HF30	3279	6183	-	6183	3279
HF40	6903	13680	-	13680	6903
HF50	13852	27468	-	27468	13852
HF60	24282	46510	-	46510	24282
HF70	30438	60430	-	60430	30438
Estimated Torque Ratings for Additional Sizes Available Soon:					
HF80	59430	114227	-	114227	59430

It is not recommended to use the Black insert with the Standard Cover. In high torque applications we recommend the use of the Extreme Duty Cover.

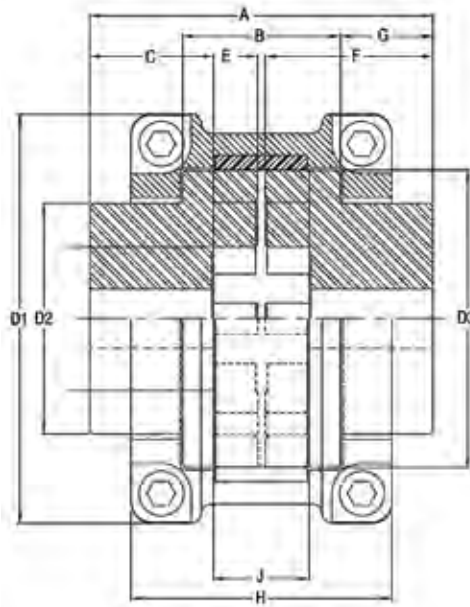
DOWNLOAD AVAILABLE CAD MODELS AT: [WWW.HUBCITYINC.COM](http://WWW.HUBCITYINC.COM)

Certified prints are available upon request

CALL: (605) 225-0360 • FAX: (605) 225-0567

# Hub City HubFlex® Coupling

## Dimensions/Ratings



### HubFlex® Extreme Duty Coupling Dimensions (in.)

Coupling Series	Pilot Bore Diameter	Maximum Bore Size ****	Maximum RPM*	Maximum Torque (in-lbs)***	A	B	D1	D2	D3	C	E <sub>MIN</sub>	E <sub>MAX</sub>	F	G	H	J	WT** (lbs)
HF20	1/2	1-5/8	4000	3789	3.54	1.28	3.99	2.31	2.55	1.34	0.036	.220	1.75	1.14	1.93	0.88	4.5
HF30	3/4	2-1/8	4000	11914	4.86	2.00	5.34	3.19	3.37	1.81	0.080	0.160	2.39	1.42	2.61	1.21	10.7
HF40	7/8	2-3/8	4000	25870	5.96	2.42	7.28	3.52	4.49	2.16	0.035	0.160	2.96	1.78	3.02	1.66	18.8
HF50	1	3	4000	52408	7.07	3.48	7.76	4.25	5.92	2.46	0.140	0.370	3.40	1.76	5.96	2.19	40.2
HF60	1	3-7/8	3600	87110	7.69	3.67	8.52	5.50	6.75	2.67	0.188	0.368	3.75	2.00	6.17	2.45	59.0
HF70	1-1/2	4-1/8	3600	116432	8.51	3.96	10.29	5.79	7.48	3.10	0.100	0.318	4.21	2.33	6.54	2.49	82.1
Available on Request Soon:																	
HF80	1-7/8	4-1/2	3400	214821	10.13	4.67	12.02	7.00	9.25	3.75	0.125	0.375	5.00	2.75	7.92	2.75	138.0
* For applications over 4000 RPM, consult factory																	
** All weights shown are approximate for a complete standard coupling assembly.																	
*** Maximum torque values (in-lbs) are based on use with black insert. Refer to page 13 for complete torque ratings.																	
**** Maximum bore size has reduced keyway on sizes HF20, HF30 and HF40.																	
Reduced keyways in max bore hubs measure as follows: HF20X1-5/8" - 3/8" x 3/32" keyway, HF30X2-1/8" - 1/2" x 1/8" keyway, HF40X2-3/8" - 5/8" x 5/32" keyway																	

### HubFlex® Insert Maximum Torque Ratings (in-lbs)

Coupling Series	ORANGE	GREEN	BLACK	GREY	WHITE
HF20	1254	2457	3789	2457	1254
HF30	4099	7730	11914	7730	4099
HF40	8630	17099	25870	17099	8630
HF50	17315	34336	52408	34336	17315
HF60	30353	58137	87110	58137	30353
HF70	38048	75538	116432	75538	38048
Estimated Torque Ratings for Additional Sizes Available Soon:					
HF80	73537	141340	214821	141340	73537

DOWNLOAD AVAILABLE CAD MODELS AT: [WWW.HUBCITYINC.COM](http://WWW.HUBCITYINC.COM)

**Certified prints are available upon request**

EMAIL: [hubsales@regalbeloit.com](mailto:hubsales@regalbeloit.com) • [www.hubcityinc.com](http://www.hubcityinc.com)



# Hub City HubFlex® Coupling

## Bore - Keyway Sizes and Tolerances

### HubFlex® Standard Bore Sizes

Coupling Size	PB	1/2"	5/8"	3/4"	7/8"	1"	1-1/8"	1-3/16"	1-1/4"	1-3/8"	1-7/16"	1-1/2"	1-5/8"	1-3/4"	1-7/8"	1-15/16"
HF10	X	X	X	X	X	X	X	X	X							
HF20	X		X	X	X	X	X	X	X	X	X	X	X			
HF30	X				X	X	X	X	X	X	X	X	X	X	X	X
HF40	X				X	X	X		X	X	X	X	X	X	X	X
HF50	X											X	X	X	X	X
HF60	X															
HF70	X															
Available on Request Soon:																
HF80	X															

### HubFlex® Standard Bore Sizes (cont'd.)

Coupling Size	2"	2-1/8"	2-3/16"	2-1/4"	2-3/8"	2-7/16"	2-1/2"	2-5/8"	2-3/4"	2-7/8"	2-15/16"	3"
HF10												
HF20												
HF30	X	X										
HF40	X	X	X	X	X							
HF50	X	X		X	X	X	X	X	X	X	X	X
HF60												
HF70												

### HubFlex® Bore Tolerances and Keyway Sizes

Shaft Diameter (Nominal)	Keyway Size (Nominal)		Bore Tolerances				Set Screw Size
	Width	Depth	Clearance Fit **		Interference Fit **		
1/2" - 9/16"	1/8"	1/16"	+0.0015	-0.0000	-0.0005	-0.0010	5/16"
5/8" - 7/8"	3/16"	3/32"	+0.0015	-0.0000	-0.0005	-0.0010	5/16"
15/16" - 1-1/4"	1/4"	1/8"	+0.0015	-0.0000	-0.0005	-0.0010	5/16"
1-5/16" - 1-3/8"	5/16"	5/32"	+0.0015	-0.0000	-0.0005	-0.0010	5/16"
1-7/16" - 1-3/4"	3/8"	3/16"	+0.0015	-0.0000	-0.0005	-0.0015	5/16"
1-13/16" - 2-1/4"	1/2"	1/4"	+0.0025	-0.0000	-0.0005	-0.0015	3/8"
2-5/16" - 2-3/4"	5/8"	5/16"	+0.0025	-0.0000	-0.0010	-0.0020	1/2"
2-13/16" - 3-1/4"	3/4"	3/8"	+0.0025	-0.0000	-0.0010	-0.0020	5/8"
3-5/16" - 3-3/4"	7/8"	7/16"	+0.0025	-0.0000	-0.0015	-0.0025	5/8"
3-13/16" - 4-1/2"	1"	1/2"	+0.0025	-0.0000	-0.0025	-0.0035	5/8"

\*\* For Class 1 Fit

Reduced keyways in max bore hubs measure as follows: HF20X1-5/8" - 3/8" x 3/32" keyway, HF30X2-1/8" - 1/2" x 1/8" keyway, HF40X2-3/8" - 5/8" x 5/32" keyway

DOWNLOAD AVAILABLE CAD MODELS AT: [WWW.HUBCITYINC.COM](http://WWW.HUBCITYINC.COM)

Certified prints are available upon request

CALL: (605) 225-0360 • FAX: (605) 225-0567

# Hub City HubFlex® Coupling Torque Ratings

## Torque Ratings for HubFlex® Couplings with Standard Cover

Coupling Series	Insert Part #	Insert Color	Continuous Torque (in-lbs)	HP Ratings @ Various RPM (Service Factor = 1)							
				100	300	600	900	1200	1800	2400	3600
HF10	HF10SD-INS	Orange	365	.58	1.74	3.48	5.22	6.96	10.44	13.92	20.88
	HF10MD-INS	Green	792	1.26	3.78	7.56	11.34	15.12	22.68	30.24	45.36
	HF10FG-INS	White	365	.58	1.74	3.48	5.22	6.96	10.44	13.92	20.88
HF20	HF20SD-INS	Orange	1003	1.59	4.77	9.54	14.31	19.08	28.62	38.16	57.24
	HF20MD-INS	Green	1965	3.12	9.36	18.72	28.08	37.44	56.16	74.88	112.32
	HF20HT-INS	Grey	1965	3.12	9.36	18.72	28.08	37.44	56.16	74.88	112.32
	HF20FG-INS	White	1003	1.59	4.77	9.54	14.31	19.08	28.62	38.16	57.24
HF30	HF30SD-INS	Orange	3279	5.20	15.60	31.20	46.80	62.40	93.60	124.80	187.20
	HF30MD-INS	Green	6183	9.81	29.43	58.86	88.29	117.72	176.58	235.44	353.16
	HF30HT-INS	Grey	6183	9.81	29.43	58.86	88.29	117.72	176.58	235.44	353.16
	HF30FG-INS	White	3279	5.20	15.60	31.20	46.80	62.40	93.60	124.80	187.20
HF40	HF40SD-INS	Orange	6903	10.95	32.85	65.70	98.55	131.40	197.10	262.80	394.20
	HF40MD-INS	Green	13680	21.71	65.13	130.26	195.39	260.52	390.78	521.04	781.56
	HF40HT-INS	Grey	13680	21.71	65.13	130.26	195.39	260.52	390.78	521.04	781.56
	HF40FG-INS	White	6903	10.95	32.85	65.70	98.55	131.40	197.10	262.80	394.20
HF50	HF50SD-INS	Orange	13852	21.98	65.94	131.88	197.82	263.76	395.64	527.52	791.28
	HF50MD-INS	Green	27468	43.58	130.74	261.48	392.22	522.96	784.44	1045.92	1568.88
	HF50HT-INS	Grey	27468	43.58	130.74	261.48	392.22	522.96	784.44	1045.92	1568.88
	HF50FG-INS	White	13852	21.98	65.94	131.88	197.82	263.76	395.64	527.52	791.28
HF60	HF60SD-INS	Orange	24282	38.53	115.59	231.88	346.77	462.36	693.54	924.72	1387.08
	HF60MD-INS	Green	46510	73.80	221.40	442.80	664.20	885.60	1328.40	1771.20	2656.80
	HF60HT-INS	Grey	46510	73.80	221.40	442.80	664.20	885.60	1328.40	1771.20	2656.80
	HF60FG-INS	White	24282	38.53	115.59	231.88	346.77	462.36	693.54	924.72	1387.08
HF70	HF70SD-INS	Orange	30438	48.30	144.90	289.80	434.70	579.60	869.40	1159.20	1738.80
	HF70MD-INS	Green	60430	95.88	287.64	575.28	862.92	1150.56	1725.84	2301.12	3451.68
	HF70HT-INS	Grey	60430	95.88	287.64	575.28	862.92	1150.56	1725.84	2301.12	3451.68
	HF70FG-INS	White	30438	48.30	144.90	289.80	434.70	579.60	869.40	1159.20	1738.80
Estimated Torque Ratings for Additional Sizes Available Soon:											
HF80	HF80SD-INS	Orange	59430	94.30	282.90	565.80	848.70	1131.60	1697.40	2263.20	3394.80
	HF80MD-INS	Green	114227	181.24	543.72	1087.44	1631.17	2174.99	3262.32	4349.76	6524.64
	HF80HT-INS	Grey	114227	181.24	543.72	1087.44	1631.17	2174.99	3262.32	4349.76	6524.64
	HF80FG-INS	White	59430	94.30	282.90	565.80	848.70	1131.60	1697.40	2263.20	3394.80
HubFlex® flexible couplings can sustain momentary peak torque loads in excess of 200% of its maximum torque rating. Standard duty covers sizes HF50 thru HF70 - Available upon request.											



# Hub City HubFlex® Coupling

## Torque Ratings

### Torque Ratings for HubFlex® Couplings with Extreme Duty Cover

Coupling Series	Insert Part #	Insert Color	Continuous Torque (in-lbs)	HP Ratings @ Various RPM (Service Factor = 1)							
				100	300	600	900	1200	1800	2400	3600
HF20	HF20SD-INS	Orange	1254	1.99	5.97	11.94	17.91	23.88	35.82	47.76	71.64
	HF20MD-INS	Green	2457	3.90	11.70	23.40	35.10	46.80	70.20	93.60	140.40
	HF20XD-INS	Black	3789	6.01	18.03	36.06	54.09	72.12	108.18	144.24	216.36
	HF20HT-INS	Grey	2457	3.90	11.70	23.40	35.10	46.80	70.20	93.60	140.40
	HF20FG-INS	White	1254	1.99	5.97	11.94	17.91	23.88	35.82	47.76	71.64
HF30	HF30SD-INS	Orange	4099	6.50	19.50	39.00	58.50	78.00	117.00	156.00	234.00
	HF30MD-INS	Green	7730	12.26	36.78	73.56	110.34	147.12	220.68	294.24	441.36
	HF30XD-INS	Black	11914	18.90	56.70	113.40	170.10	226.80	340.20	453.60	680.40
	HF30HT-INS	Grey	7730	12.26	36.78	73.56	110.34	147.12	220.68	294.24	441.36
	HF30FG-INS	White	4099	6.50	19.50	39.00	58.50	78.00	117.00	156.00	234.00
HF40	HF40SD-INS	Orange	8630	13.69	41.07	82.14	123.21	164.28	246.42	328.56	492.84
	HF40MD-INS	Green	17099	27.13	81.39	162.78	244.17	325.56	488.34	651.12	976.68
	HF40XD-INS	Black	25870	41.05	123.15	246.30	369.45	492.60	738.90	985.20	1477.80
	HF40HT-INS	Grey	17099	27.13	81.39	162.78	244.17	325.56	488.34	651.12	976.68
	HF40FG-INS	White	8630	13.69	41.07	82.14	123.21	164.28	246.42	328.56	492.84
HF50	HF50SD-INS	Orange	17315	27.47	82.41	164.82	247.23	392.64	494.46	659.28	988.92
	HF50MD-INS	Green	34336	54.48	163.44	326.88	490.32	653.76	980.64	1307.52	1961.28
	HF50XD-INS	Black	52408	83.15	249.45	498.90	748.35	997.80	1496.70	1995.60	2993.40
	HF50HT-INS	Grey	34336	54.48	163.44	326.88	490.32	653.76	980.64	1307.52	1961.28
	HF50FG-INS	White	17315	27.47	82.41	164.82	247.23	392.64	494.46	659.28	988.92
HF60	HF60SD-INS	Orange	30353	48.16	144.48	288.96	433.44	577.92	866.88	1155.84	1733.76
	HF60MD-INS	Green	58137	92.24	276.72	553.44	830.16	1106.88	1660.32	2213.76	3320.64
	HF60XD-INS	Black	87110	138.21	414.63	829.26	1243.89	1658.52	2487.78	3317.04	4975.56
	HF60HT-INS	Grey	58137	92.24	276.72	553.44	830.16	1106.88	1660.32	2213.76	3320.64
	HF60FG-INS	White	30353	48.16	144.48	288.96	433.44	577.92	866.88	1155.84	1733.76
HF70	HF70SD-INS	Orange	38048	60.37	181.11	362.22	543.33	724.44	1086.66	1448.88	2173.32
	HF70MD-INS	Green	75538	119.85	359.55	719.10	1078.65	1438.20	2157.30	2876.40	4314.60
	HF70XD-INS	Black	116432	184.74	554.22	1108.44	1662.66	2216.88	3325.32	4433.76	6650.64
	HF70HT-INS	Grey	75538	119.85	359.55	719.10	1078.65	1438.20	2157.30	2876.40	4314.60
	HF70FG-INS	White	38048	60.37	181.11	362.22	543.33	724.44	1086.66	1448.88	2173.32
Estimated Torque Ratings for Additional Sizes Available Soon:											
HF80	HF80SD-INS	Orange	73537	116.68	350.04	700.08	1050.12	1400.16	2100.24	2800.32	4200.48
	HF80MD-INS	Green	141340	224.26	672.78	1345.56	2018.34	2691.12	4036.68	5382.24	8073.36
	HF80XD-INS	Black	214821	340.85	1022.55	2045.10	3067.65	4090.20	6135.30	8180.40	12270.60
	HF80HT-INS	Grey	141340	224.26	672.78	1345.56	2018.34	2691.12	4036.68	5382.24	8073.36
	HF80FG-INS	White	73537	116.68	350.04	700.08	1050.12	1400.16	2100.24	2800.32	4200.48

HubFlex® flexible couplings can sustain momentary peak torque loads in excess of 200% of its maximum torque rating.

DOWNLOAD AVAILABLE CAD MODELS AT: [WWW.HUBCITYINC.COM](http://WWW.HUBCITYINC.COM)

**Certified prints are available upon request**

**CALL: (605) 225-0360 • FAX: (605) 225-0567**



# Hub City HubFlex® Coupling Misalignment Tolerances

## HubFlex® Couplings Misalignment Tolerances

Coupling Series	Axial Misalignment Tolerance (in.)	Radial Misalignment Tolerance (in.)	Angular Misalignment Tolerance
HF10	0.078	0.020	2°
HF20	0.116	0.039	2°
HF30	0.116	0.039	2°
HF40	0.116	0.039	2°
HF50	0.156	0.058	2°
HF60	0.175	0.058	1.3°
HF70	0.234	0.058	1.3°
Additional Sizes Available Soon:			
HF80	0.234	0.058	1°
HF90	0.234	0.058	1°
HF100	0.312	0.058	1°
HF110	0.312	0.078	1°
HF120	0.312	0.078	1°

HubFlex® Coupling



## HubFlex® Special Banded Inserts *\*Patent Pending\**

Coupling Series	Maximum RPM	Maximum HP (at 900 RPM)	"Maximum Torque (in-lbs)	R	D	W	Wt. (lbs)
HF10	3600	2	140	1.23	2.49	0.63	0.10
HF20	3600	10	700	1.66	3.16	0.85	0.20
HF30	3600	30	2100	2.16	4.21	1.23	0.40



Banded inserts are manufactured with an outer ring of high strength urethane and are designed for use in spaces where a cover cannot be accessed or spaces where there is not room for a cover. Please note torque limitations.

Ideal applications include coupled style C-face motor flanges.

DOWNLOAD AVAILABLE CAD MODELS AT: [WWW.HUBCITYINC.COM](http://WWW.HUBCITYINC.COM)

**Certified prints are available upon request**

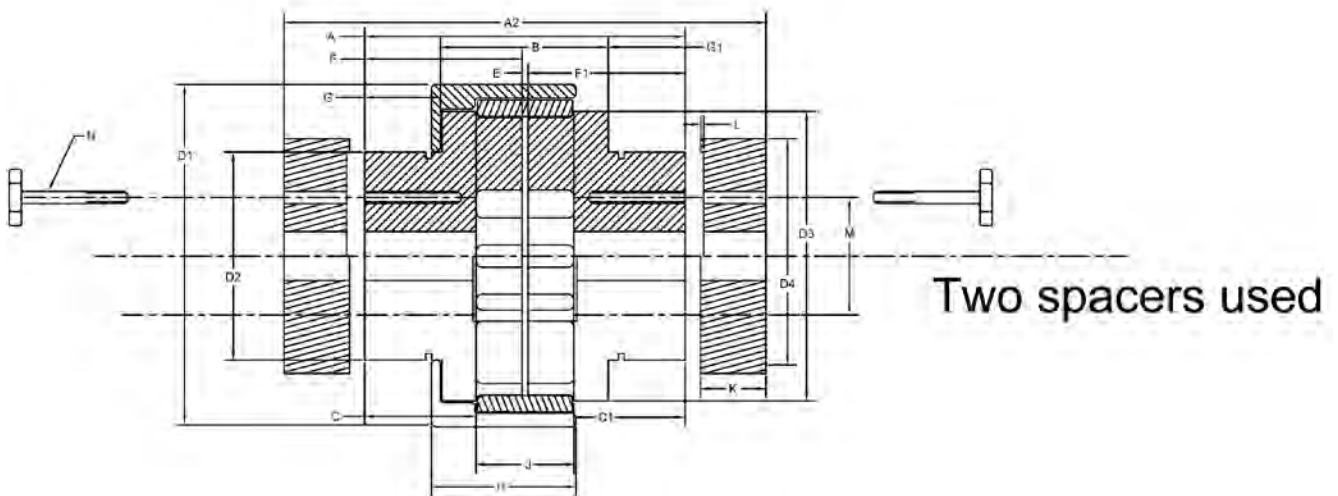
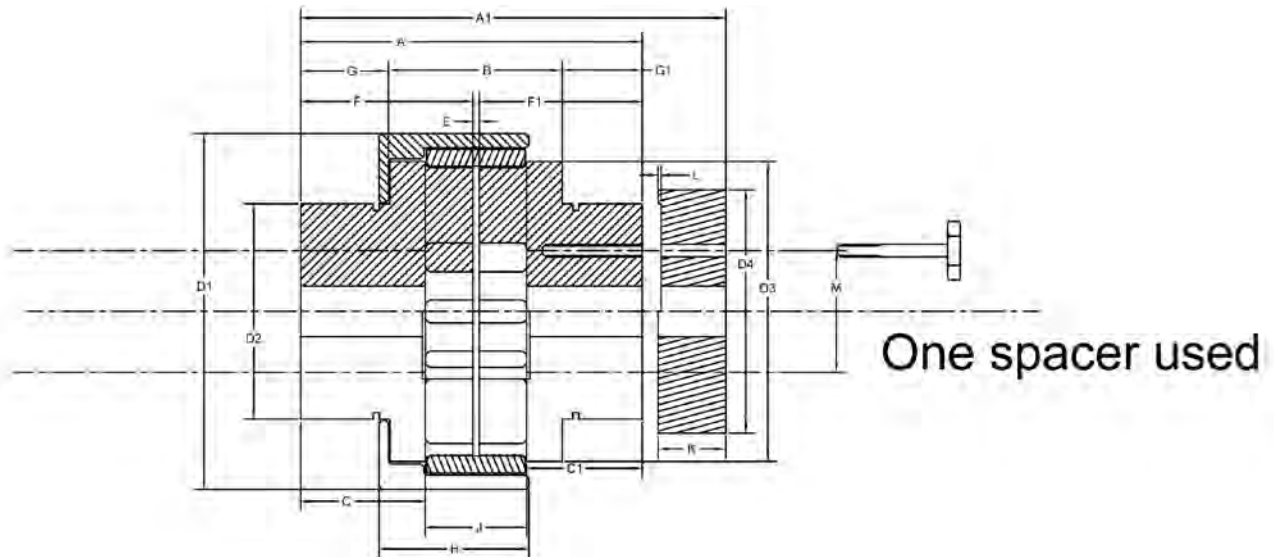
EMAIL: [hubsales@regalbeloit.com](mailto:hubsales@regalbeloit.com) • [www.hubcityinc.com](http://www.hubcityinc.com)



# Hub City HubFlex® Coupling

## Spacer Coupling Dimensions

### HubFlex® Spacer Coupling Dimensions with Standard Cover



DOWNLOAD AVAILABLE CAD MODELS AT: [WWW.HUBCITYINC.COM](http://WWW.HUBCITYINC.COM)

Certified prints are available upon request

CALL: (605) 225-0360 • FAX: (605) 225-0567

# Hub City HubFlex® Coupling Spacer Coupling Dimensions

## HubFlex® Spacer Coupling Dimensions with Standard Cover

Coupling Series	Pilot Bore Diameter	Maximum Bore Size	Maximum RPM	Maximum Torque (in-lbs)**	DBSE (Distance between shaft ends)	A	A1	A2	B	D1	D2	D3	D4	C	C1	E min	E max	F	F1	G	G1	H
HF10	1/2	1	3600	210	1-1/4"	2.59	3.87	N/A	1.03	2.49	2.00	2.07	2.55	1.08	0.87	0.062	0.092	1.16	1.37	0.67	0.88	0.95
HF10	1/2	1	3600	210	1-3/4"	2.80	4.08	N/A	1.03	2.49	2.00	2.07	2.55	1.08	1.08	0.062	0.092	1.37	1.37	0.88	0.88	0.95
HF10	1/2	1	3600	210	2-1/2" ‡	2.38	N/A	4.93	1.03	2.49	2.00	2.07	2.55	0.87	0.87	0.062	0.092	1.16	1.16	0.67	0.67	0.95
HF10	1/2	1	3600	210	3-1/8"	2.80	N/A	5.35	1.03	2.49	2.00	2.07	2.55	1.08	1.08	0.062	0.092	1.37	1.37	0.88	0.88	0.95
HF20	1/2	1-1/8"	3600	525	1-3/4" √	3.45	4.73	N/A	1.28	3.16	2.31	2.55	2.55	1.25	1.34	0.036	0.11	1.75	1.66	1.14	1.05	1.35
HF20	1/2	1-1/8"	3600	525	2-1/2" √	3.54	4.82	N/A	1.28	3.16	2.31	2.55	2.55	1.34	1.34	0.036	0.11	1.75	1.75	1.14	1.14	1.35
HF20	1/2	1-1/8"	3600	525	3-1/2" ***	3.36	N/A	5.91	1.28	3.16	2.31	2.55	2.55	1.25	1.25	0.036	0.11	1.66	1.66	1.05	1.05	1.35
HF20	1/2	1-1/8"	3600	525	3-3/4" √	3.54	N/A	6.09	1.28	3.16	2.31	2.55	2.55	1.34	1.34	0.036	0.11	1.75	1.75	1.14	1.14	1.35
HF30	3/4	1-5/8"	3600	2801	2-1/2" √	4.86	6.61	N/A	2.00	4.21	3.19	3.37	3.41	1.81	1.81	0.080	0.205	2.39	2.39	1.42	1.42	1.95
HF30	3/4	1-5/8"	3600	2801	3-1/2" ***	3.38	N/A	6.87	2.00	4.21	3.19	3.37	3.41	1.07	1.07	0.080	0.205	1.65	1.65	0.68	0.68	1.95
HF30	3/4	1-5/8"	3600	2801	3-3/4" ***	3.62	N/A	7.11	2.00	4.21	3.19	3.37	3.41	1.19	1.19	0.080	0.205	1.77	1.77	0.80	0.80	1.95
HF30	3/4	1-5/8"	3600	2801	4" ***	3.88	N/A	7.37	2.00	4.21	3.19	3.37	3.41	1.32	1.32	0.080	0.205	1.90	1.90	0.93	0.93	1.95
HF30	3/4	1-5/8"	3600	2801	4-3/8" ***	4.24	N/A	7.73	2.00	4.21	3.19	3.37	3.41	1.50	1.50	0.080	0.205	2.08	2.08	1.11	1.11	1.95
HF30	3/4	1-5/8"	3600	2801	5" √	4.86	N/A	8.35	2.00	4.21	3.19	3.37	3.41	1.81	1.81	0.080	0.205	2.39	2.39	1.42	1.42	1.95
HF40	7/8	1-7/8"	3600	4202	3-1/2" ***	3.38	N/A	7.59	2.42	5.48	3.52	4.49	3.78	0.87	0.87	0.035	0.208	1.67	1.67	0.49	0.49	2.38
HF40	7/8	1-7/8"	3600	4202	4" ***	3.88	N/A	8.22	2.42	5.48	3.52	4.49	3.78	1.12	1.12	0.035	0.208	1.92	1.92	0.74	0.74	2.38
HF40	7/8	1-7/8"	3600	4202	4-3/8" ***	4.24	N/A	8.45	2.42	5.48	3.52	4.49	3.78	1.3	1.3	0.035	0.208	2.1	2.1	0.92	0.92	2.38
HF40	7/8	1-7/8"	3600	4202	5" ***	4.88	N/A	9.09	2.42	5.48	3.52	4.49	3.78	1.62	1.62	0.035	0.208	2.42	2.42	1.24	1.24	2.38
HF40	7/8	1-7/8"	3600	4202	6" √	5.88	N/A	10.09	2.42	5.48	3.52	4.49	3.78	2.12	2.12	0.035	0.208	2.92	2.92	1.74	1.74	2.38

Coupling Series	J	K	L	M (Bolt Circle)	N- Bolts (Cap Screws 4 ea)	WT* (lbs) with/ Standard CVR
HF10	0.66	1.34	0.063	1.59	1/4-20 x 1.75	3.5
HF10	0.66	1.34	0.063	1.59	1/4-20 x 1.75	3.5
HF10	0.66	1.34	0.063	1.59	1/4-20 x 1.75	4.5
HF10	0.66	1.34	0.063	1.59	1/4-20 x 1.75	4.5
HF20	0.88	1.34	0.063	1.84	1/4-20 x 1.75	6.0
HF20	0.88	1.34	0.063	1.84	1/4-20 x 1.75	6.0
HF20	0.88	1.34	0.063	1.84	1/4-20 x 1.75	7.5
HF20	0.88	1.34	0.063	1.84	1/4-20 x 1.75	7.5
HF30	1.21	1.81	0.063	2.50	5/16-18 X 2.75	14.5
HF30	1.21	1.81	0.063	2.50	5/16-18 X 2.75	N/A
HF30	1.21	1.81	0.063	2.50	5/16-18 X 2.75	N/A
HF30	1.21	1.81	0.063	2.50	5/16-18 X 2.75	N/A
HF30	1.21	1.81	0.063	2.50	5/16-18 X 2.75	N/A
HF30	1.21	1.81	0.063	2.50	5/16-18 X 2.75	N/A
HF40	1.66	2.17	0.063	2.50	5/16-18 X 2.75	N/A
HF40	1.66	2.17	0.063	2.50	5/16-18 X 2.75	N/A
HF40	1.66	2.17	0.063	2.50	5/16-18 X 2.75	N/A
HF40	1.66	2.17	0.063	2.50	5/16-18 X 2.75	N/A
HF40	1.66	2.17	0.063	2.50	5/16-18 X 2.75	22.5

Additional Sizes Available on Request

\*All weights shown are approximate for a complete spacer coupling assembly.

\*\* Maximum torque values (in-lbs) are based on use with green insert. Refer to page 12 for complete torque ratings.

\*\*\* For this size we recommend split cover

‡ To replace insert, move spacer back

√ CM or SM series Cover Required for these sizes.

DOWNLOAD AVAILABLE CAD MODELS AT: WWW.HUBCITYINC.COM

Certified prints are available upon request

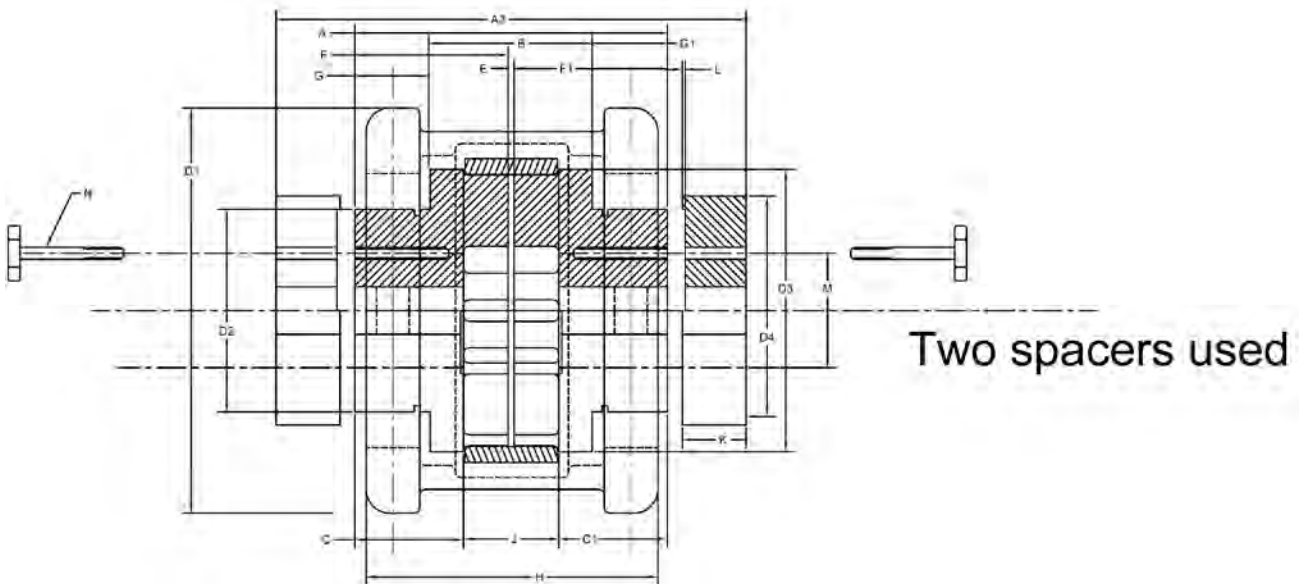
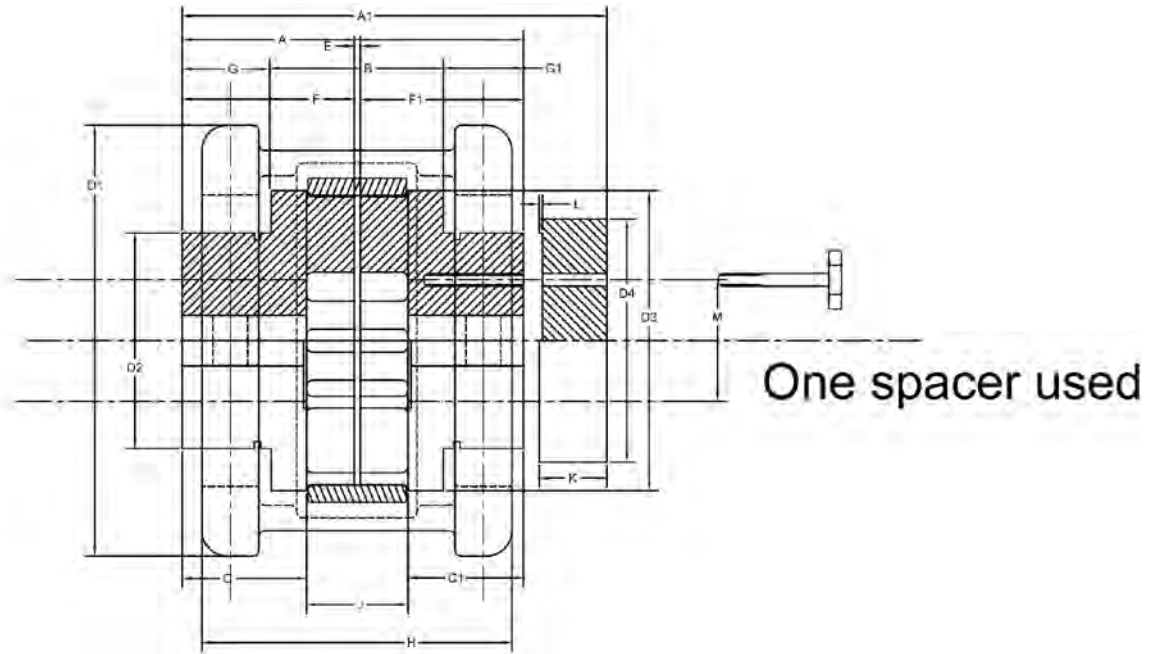
EMAIL: hbsales@regalbeloit.com • www.hubcityinc.com



# Hub City HubFlex® Coupling

## Spacer Coupling Dimensions

### HubFlex® Spacer Coupling Dimensions with Split (XH) Cover



DOWNLOAD AVAILABLE CAD MODELS AT: [WWW.HUBCITYINC.COM](http://WWW.HUBCITYINC.COM)

Certified prints are available upon request

CALL: (605) 225-0360 • FAX: (605) 225-0567

# Hub City HubFlex® Coupling Spacer Coupling Dimensions

## HubFlex® Spacer Coupling Dimensions with Split (XH) Cover

Coupling Series	Pilot Bore Diameter	Maximum Bore Size	Maximum RPM	Maximum Torque (in-lbs)**	DBSE (Distance between shaft ends)	A	A1	A2	B	D1	D2	D3	D4	C	C1	E min	E max	F	F1	G	G1	H
HF20	1/2	1-1/8"	3600	525	1-3/4"	3.45	4.73	N/A	1.28	3.99	2.31	2.55	2.55	1.25	1.34	0.036	0.11	1.75	1.66	1.14	1.05	1.93
HF20	1/2	1-1/8"	3600	525	2-1/2"	3.54	4.82	N/A	1.28	3.99	2.31	2.55	2.55	1.34	1.34	0.036	0.11	1.75	1.75	1.14	1.14	1.93
HF20	1/2	1-1/8"	3600	525	3-1/2" ***	3.36	N/A	5.91	1.28	3.99	2.31	2.55	2.55	1.25	1.25	0.036	0.11	1.66	1.66	1.05	1.05	1.93
HF20	1/2	1-1/8"	3600	525	3-3/4" ***	3.54	N/A	6.09	1.28	3.99	2.31	2.55	2.55	1.34	1.34	0.036	0.11	1.75	1.75	1.14	1.14	1.93
HF30	3/4	1-5/8"	3600	2801	2-1/2"	4.86	6.61	N/A	2.00	5.34	3.19	3.37	3.41	1.81	1.81	0.080	0.205	2.39	2.39	1.42	1.42	2.61
HF30	3/4	1-5/8"	3600	2801	3-1/2" ***	3.38	N/A	6.87	2.00	5.34	3.19	3.37	3.41	1.07	1.07	0.080	0.205	1.65	1.65	0.68	0.68	2.61
HF30	3/4	1-5/8"	3600	2801	3-3/4" ***	3.62	N/A	7.11	2.00	5.34	3.19	3.37	3.41	1.19	1.19	0.080	0.205	1.77	1.77	0.80	0.80	2.61
HF30	3/4	1-5/8"	3600	2801	4" ***	3.88	N/A	7.37	2.00	5.34	3.19	3.37	3.41	1.32	1.32	0.080	0.205	1.90	1.90	0.93	0.93	2.61
HF30	3/4	1-5/8"	3600	2801	4-3/8" ***	4.24	N/A	7.73	2.00	5.34	3.19	3.37	3.41	1.50	1.50	0.080	0.205	2.08	2.08	1.11	1.11	2.61
HF30	3/4	1-5/8"	3600	2801	5" ***	4.86	N/A	8.35	2.00	5.34	3.19	3.37	3.41	1.81	1.81	0.080	0.205	2.39	2.39	1.42	1.42	2.61
HF40	7/8	1-7/8"	3600	4202	3-1/2" ***	3.38	N/A	7.59	2.42	7.28	3.52	4.49	3.78	0.87	0.87	0.035	0.208	1.67	1.67	0.49	0.49	3.02
HF40	7/8	1-7/8"	3600	4202	4" ***	3.88	N/A	8.22	2.42	7.28	3.52	4.49	3.78	1.12	1.12	0.035	0.208	1.92	1.92	0.74	0.74	3.02
HF40	7/8	1-7/8"	3600	4202	4-3/8" ***	4.24	N/A	8.45	2.42	7.28	3.52	4.49	3.78	1.3	1.3	0.035	0.208	2.1	2.1	0.92	0.92	3.02
HF40	7/8	1-7/8"	3600	4202	5" ***	4.88	N/A	9.09	2.42	7.28	3.52	4.49	3.78	1.62	1.62	0.035	0.208	2.42	2.42	1.24	1.24	3.02
HF40	7/8	1-7/8"	3600	4202	6" ***	5.88	N/A	10.09	2.42	7.28	3.52	4.49	3.78	2.12	2.12	0.035	0.208	2.92	2.92	1.74	1.74	3.02

Coupling Series	J	K	L	M (Bolt Circle)	N- Bolts (Cap Screws 4 ea)	WT* (lbs) with Split CVR
HF20	0.88	1.34	0.063	1.84	1/4-20 x 1.75	6.5
HF20	0.88	1.34	0.063	1.84	1/4-20 x 1.75	6.5
HF20	0.88	1.34	0.063	1.84	1/4-20 x 1.75	8.0
HF20	0.88	1.34	0.063	1.84	1/4-20 x 1.75	8.0
HF30	1.21	1.81	0.063	2.50	5/16-18 X 2.75	15.0
HF30	1.21	1.81	0.063	2.50	5/16-18 X 2.75	18.5
HF30	1.21	1.81	0.063	2.50	5/16-18 X 2.75	18.5
HF30	1.21	1.81	0.063	2.50	5/16-18 X 2.75	18.5
HF30	1.21	1.81	0.063	2.50	5/16-18 X 2.75	18.5
HF30	1.21	1.81	0.063	2.50	5/16-18 X 2.75	18.5
HF40	1.66	2.17	0.063	2.50	5/16-18 X 2.75	31.0
HF40	1.66	2.17	0.063	2.50	5/16-18 X 2.75	31.0
HF40	1.66	2.17	0.063	2.50	5/16-18 X 2.75	31.0
HF40	1.66	2.17	0.063	2.50	5/16-18 X 2.75	31.0
HF40	1.66	2.17	0.063	2.50	5/16-18 X 2.75	25.0

Additional Sizes Available on Request

\*All weights shown are approximate for a complete spacer coupling assembly.

\*\* Maximum torque values (in-lbs) are based on use with green insert. Refer to page 12 for complete torque ratings.

\*\*\* For this size use split cover only

DOWNLOAD AVAILABLE CAD MODELS AT: [WWW.HUBCITYINC.COM](http://WWW.HUBCITYINC.COM)

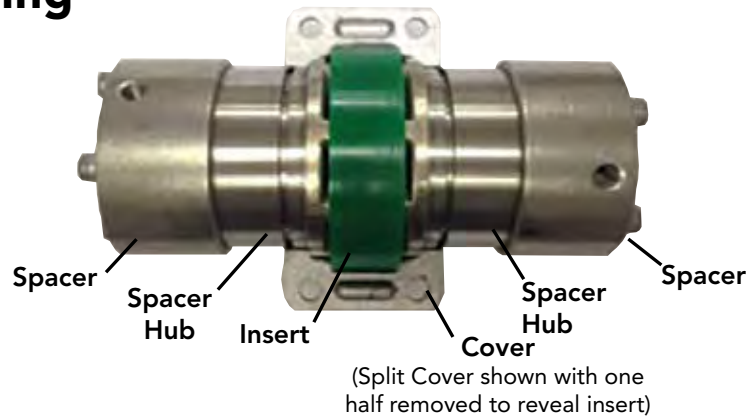
**Certified prints are available upon request**

EMAIL: [hubsales@regalbeloit.com](mailto:hubsales@regalbeloit.com) • [www.hubcityinc.com](http://www.hubcityinc.com)



# Hub City HubFlex® Coupling

## Spacer Coupling Quick Selection



HP	DBSE	Maximum Bore	Standard Stock Bores	Required Hubs and/or Spacer Hubs		Required Spacer	Insert	Cover
Up to 3HP	1-1/4"	1"	PB (1/2"), 5/8", 3/4", 7/8", 1"	HF10CS12SH (1 ea) and HF10CSXXXH (1 ea)	PLUS (+)	HF10CSXXXS (1 ea)	HF10SD-INS	HF10SD-CVR
Up to 3HP	1-3/4"	1"	PB (1/2"), 5/8", 3/4", 7/8", 1"	HF10CS14SH (1 ea) and HF10CSXXXH (1 ea)	PLUS (+)	HF10CSXXXS (1 ea)	HF10SD-INS	HF10SD-CVR
Up to 3HP	2-1/2"	1"	PB (1/2"), 5/8", 3/4", 7/8", 1"	HF10CS12SH (2 ea)	PLUS (+)	HF10CSXXXS (2 ea)	HF10SD-INS	HF10SD-CVR
Up to 3HP	3-1/8"	1"	PB (1/2"), 5/8", 3/4", 7/8", 1"	HF10CS14SH (2 ea)	PLUS (+)	HF10CSXXXS (2 ea)	HF10SD-INS	HF10SD-CVR
Up to 7.5HP	1-3/4"	1-1/8"	PB (1/2"), 5/8", 3/4", 7/8", 1", 1-1/8"	HF20CS17SH (1 ea) and HF20CSXXXH (1 ea)	PLUS (+)	HF20CSXXXS (1 ea)	HF20SD-INS	HF20CM/SM-CVR OR HF20XH-CVR
Up to 7.5HP	2-1/2"	1-1/8"	PB (1/2"), 5/8", 3/4", 7/8", 1", 1-1/8"	HF20CS18SH (1ea) and HF20CSXXXH(1 ea)	PLUS (+)	HF20CSXXXS (1 ea)	HF20SD-INS	HF20CM/SM-CVR OR HF20XH-CVR
Up to 7.5HP	3-1/2"	1-1/8"	PB (1/2"), 5/8", 3/4", 7/8", 1", 1-1/8"	HF20CS17SH (2 ea)	PLUS (+)	HF20CSXXXS (2 ea)	HF20SD-INS	HF20XH-CVR
Up to 7.5HP	3-3/4"	1-1/8"	PB (1/2"), 5/8", 3/4", 7/8", 1", 1-1/8"	HF20CS18SH (2 ea)	PLUS (+)	HF20CSXXXS (2ea)	HF20SD-INS	HF20CM/SM-CVR OR HF20XH-CVR
Up to 40HP	2-1/2"	1-5/8"	PB (3/4"), 7/8", 1", 1-1/8", 1-1/4", 1-3/8", 1-1/2", 1-5/8"	HF30CS24SH (1 ea) and HF30CSXXXH (1 ea)	PLUS (+)	HF30CSXXXS (1 ea)	HF30SD-INS	HF30CM/SM-CVR OR HF30XH-CVR
Up to 40HP	3-1/2"	1-5/8"	PB (3/4"), 7/8", 1", 1-1/8", 1-1/4", 1-3/8", 1-1/2", 1-5/8"	HF30CS17SH (2 ea)	PLUS (+)	HF30CSXXXS (2 ea)	HF30SD-INS	HF30XH-CVR
Up to 40HP	3-3/4"	1-5/8"	PB (3/4"), 7/8", 1", 1-1/8", 1-1/4", 1-3/8", 1-1/2", 1-5/8"	HF30CS18SH (2 ea)	PLUS (+)	HF30CSXXXS (2 ea)	HF30SD-INS	HF30XH-CVR
Up to 40HP	4"	1-5/8"	PB (3/4"), 7/8", 1", 1-1/8", 1-1/4", 1-3/8", 1-1/2", 1-5/8"	HF30CS19SH (2 ea)	PLUS (+)	HF30CSXXXS (2 ea)	HF30SD-INS	HF30XH-CVR
Up to 40HP	4-3/8"	1-5/8"	PB (3/4"), 7/8", 1", 1-1/8", 1-1/4", 1-3/8", 1-1/2", 1-5/8"	HF30CS21SH (2 ea)	PLUS (+)	HF30CSXXXS (2 ea)	HF30SD-INS	HF30XH-CVR
Up to 40HP	5"	1-5/8"	PB (3/4"), 7/8", 1", 1-1/8", 1-1/4", 1-3/8", 1-1/2", 1-5/8"	HF30CS24SH (2 ea)	PLUS (+)	HF30CSXXXS (2 ea)	HF30SD-INS	HF30CM/SM-CVR OR HF30XH-CVR
Up to 60HP	3-1/2"	1-7/8"	PB (7/8"), 1", 1-1/8", 1-3/8", 1-1/2", 1-5/8", 1-3/4", 1-7/8"	HF40CS17SH (2 ea)	PLUS (+)	HF40CSXXXS (2 ea)	HF40SD-INS	HF40XH-CVR
Up to 60HP	4"	1-7/8"	PB (7/8"), 1", 1-1/8", 1-3/8", 1-1/2", 1-5/8", 1-3/4", 1-7/8"	HF40CS19SH (2 ea)	PLUS (+)	HF40CSXXXS (2 ea)	HF40SD-INS	HF40XH-CVR
Up to 60HP	4-3/8"	1-7/8"	PB (7/8"), 1", 1-1/8", 1-3/8", 1-1/2", 1-5/8", 1-3/4", 1-7/8"	HF40CS21SH (2 ea)	PLUS (+)	HF40CSXXXS (2 ea)	HF40SD-INS	HF40XH-CVR
Up to 60HP	5"	1-7/8"	PB (7/8"), 1", 1-1/8", 1-3/8", 1-1/2", 1-5/8", 1-3/4", 1-7/8"	HF40CS24SH (2 ea)	PLUS (+)	HF40CSXXXS (2 ea)	HF40SD-INS	HF40XH-CVR
Up to 60HP	6"	1-7/8"	PB (7/8"), 1", 1-1/8", 1-3/8", 1-1/2", 1-5/8", 1-3/4", 1-7/8"	HF40CS29SH (2 ea)	PLUS (+)	HF40CSXXXS (2 ea)	HF40SD-INS	HF40CM/SM-CVR OR HF40XH-CVR

DOWNLOAD AVAILABLE CAD MODELS AT: [WWW.HUBCITYINC.COM](http://WWW.HUBCITYINC.COM)

**Certified prints are available upon request**

CALL: (605) 225-0360 • FAX: (605) 225-0567



# Hub City HubFlex® Coupling

## Service Factors

### HubFlex® Couplings Service Factors

Application .....	Service Factor
Aerators .....	2.50
Aggregate Processing, Cement, Mining Kilns	
Direct or on Line Shaft of Reducer	
With Final Drive Machined Spur Gears .....	2.25
With Single Helical or Herringbone Gears .....	2.00
Crushers, Ore or Stone .....	2.75
Dryer, Rotary .....	2.00
Grizzly .....	2.25
Hammermill or Hog .....	2.00
Tumbling Mill or Barrel .....	2.00
Agitators	
Vertical, Horizontal, Screw, Propeller, Paddle .....	1.25
Barge Haul Puller .....	1.75
Blowers	
Centrifugal .....	1.50
Lobe or Vane .....	1.50
Brewing and Distilling	
Bottle and Can Filling Machines .....	1.50
Brew Kettle .....	1.25
Cookers, Continuous Duty .....	1.50
Lauter Tub .....	1.75
Mash Tub .....	1.50
Scale Hopper, Frequent Peaks .....	2.00
Clarifier Or Classifier .....	1.25
Clay Working Industry	
Brick Press, Briquette Machine, Clay Working Machine, Pug Mill .....	2.00
Compressors	
Centrifugal .....	1.25
Rotary, Lobe or Vane .....	1.50
Rotary, Screw .....	1.50
Reciprocating	
Direct Connected .....	Refer to Factory
Without Flywheels .....	Refer to Factory
With Flywheel and Gear between Compressor and Prime Monitor	
1 Cylinder, Single Acting .....	3.00
1 Cylinder, Double Acting .....	3.00
2 Cylinders, Single Acting .....	3.00
2 Cylinders Double Acting .....	3.00
3 Cylinders Single Acting .....	3.00
3 Cylinders, Double Acting .....	2.00
4 Or More Cyl. Single Acting .....	2.50
4 Or More Cyl. Double Acting .....	2.50
Conveyors	
Apron, Assembly, Belt, Chain, Flight, Screw .....	1.75
Bucket .....	1.75
Live Roll, Shaker and Reciprocating .....	3.00
Bridge, Travel or Trolley .....	2.50
Dredgers	
Cable Reel .....	2.00
Conveyors .....	1.50

\* For reversing applications with high inertia loads, please Consult Factory.

DOWNLOAD AVAILABLE CAD MODELS AT: [WWW.HUBCITYINC.COM](http://WWW.HUBCITYINC.COM)

**Certified prints are available upon request**

EMAIL: [hubsales@regalbeloit.com](mailto:hubsales@regalbeloit.com) • [www.hubcityinc.com](http://www.hubcityinc.com)

Application .....	Service Factor
Cutter Head, Jig Drive .....	2.50
Maneuvering Winch .....	1.75
Pumps (Uniform Load) .....	1.75
Screen Drive, Stacker .....	2.00
Utility Winch .....	2.00
Dynamometer .....	1.50
Elevators - Bucket, Centrifugal Discharge .....	1.75
Exciter, Generator .....	1.50
Extruder, Plastic .....	1.50
Fans	
Centrifugal .....	1.25
Cooling Tower .....	2.00
Forced Draft-Across the Line Start .....	1.75
Food Industry	
Beet Slicer .....	2.00
Bottling, Can, Filling Machine .....	1.50
Cereal Cooker .....	1.50
Dough Mixer, Meat Grinder .....	2.00
Forced Draft Motor driven thru fluid or Electric Slip Clutch .....	1.25
Gas Recirculating .....	1.50
Induced Draft with damper control or blade cleaner .....	1.50
Induced Draft without controls .....	2.00
Feeders	
Apron, Belt, Disc, Screw .....	1.25
Reciprocating .....	2.50
Generators	
Even Load .....	1.25
Hoist or Railway Service .....	1.75
Welder Load .....	2.00
Hammermill .....	1.75
Laundry Washer Or Tumbler .....	2.00
Line Shafts Any Processing Machinery .....	1.50
Lumber	
Band Resaw .....	2.00
Circular Resaw, Cutoff .....	2.00
Edger, Head Rig, Hog .....	2.50
Gang Saw (Reciprocating) .....	3.00
Log Haul .....	2.50
Planer .....	2.00
Rolls, Non-Reversing .....	1.50
Rolls, Reversing .....	2.50
Sawdust Conveyor .....	1.50
Slab Conveyor .....	2.00
Sorting Table .....	1.75
Trimmer .....	2.00
Machine Tools	
Auxiliary and Traverse Drive .....	1.00





# Hub City HubFlex® Coupling

## Service Factors

### HubFlex® Couplings Service Factors

Application .....	Service Factor
Bending Roll, Notching Press, Punch, Press, Planer, Plate Reversing .....	1.75
Main Drive .....	1.50
<b>Metal Rolling Mills</b>	
Coilers (Up or Down) Cold Mill Only .....	1.75
Coilers (Up or Down) Hot Mill Only .....	2.25
<b>Coke Plants</b>	
Pusher Ram Drive .....	2.75
Door Opener .....	2.25
Pusher or Larry Car Traction Drive .....	3.25
Continuous Caster .....	2.00
<b>Cold Mills</b>	
Strip Mills .....	Refer to Factory
Temper Mills .....	Refer to Factory
Cooling Beds .....	1.75
Drawbench .....	2.25
Feed Rolls - Blooming Mills .....	3.25
Furnace Pushers .....	2.25
Hot and Cold Saws .....	2.25
<b>Hot Mills</b>	
Strip or Sheet Mills .....	Refer to Factory
Reversing Blooming .....	Refer to Factory
Slabbing Mills .....	Refer to Factory
Edger Drives .....	Refer to Factory
Ingot Cars .....	2.25
Manipulators .....	3.25
Merchant Mills .....	Refer to Factory
<b>Mill Tables</b>	
Roughing Breakdown Mills .....	3.25
Hot Bed or Transfer (non-reversing) .....	1.75
Runout (reversing) .....	3.25
Runout (non-reversing, non-plugging) .....	2.25
Reel Drives .....	2.00
Rod Mills .....	Refer to Factory
Screwdown .....	2.25
<b>Seamless Tube Mills</b>	
Piercer .....	3.25
Thrust Block .....	2.25
Tube Conveyor Rolls .....	2.25
Reeler .....	2.25
Kick Out .....	2.25
Shear, Croppers .....	Refer to Factory
Sideguards .....	3.25
Skelp Mills .....	Refer to Factory
Slitters (Steel Mill only) .....	2.00
<b>Soaking Pit Cover Drives</b>	
Lift .....	1.25
Travel .....	2.25
Straighteners .....	2.25
Unscramblers (Billet Bundle Busters) .....	2.25
Wire Drawing Machinery .....	2.00
<b>Mixers (also see Agitators)</b>	
Concrete .....	1.75
Muller .....	1.50

Application .....	Service Factor
<b>Oil Industry</b>	
Chiller .....	1.50
Oilwell Pumping (not over 150% peak torque) .....	2.50
Paraffin Filter Press .....	1.75
Rotary Kiln .....	2.50
<b>Paper Mills</b>	
Barker, Auxiliary, Hydraulic .....	2.50
Barker, Mechanical .....	2.50
Barker, Drum L.S. shaft of reducer with final drive-	
Helical or Herringbone Gear .....	5.00
Machined Spur Gear .....	3.00
Cast Tooth Spur Gear .....	3.00
Beater & Pulper .....	2.00
Bleachers, Coaters .....	1.50
Calendar & Super Calendar .....	2.00
Chipper .....	3.00
Converting Machine .....	1.50
Couch .....	2.00
Cutter, Felt Whipper .....	2.25
Cylinder, Dryer .....	2.00
Felt Stretcher .....	1.75
Fourdrinier .....	2.00
Jordan .....	2.50
Log Haul .....	2.50
Line Shaft .....	1.75
Press .....	2.00
Pulp Grinder .....	2.00
Reel, Rewinder, Winder .....	2.00
Stock Chest, Washer, Thickener .....	1.75
<b>Stock Pumps, Centrifugal</b>	
Constant Speed .....	1.25
Frequent Speed Changes Under Load .....	1.50
Suction Roll .....	2.00
Press, Printing .....	1.50
Pug Mill .....	1.75
<b>Pulverizers</b>	
Hammermill and Hog .....	1.75
Roller .....	1.50
<b>Pumps Centrifugal</b>	
Constant Speed .....	1.00
Frequent Speed Changes Under Load .....	1.75
Descaling, with Accumulators .....	1.75
Gear, Rotary, or Vane .....	1.75
<b>Pumps Reciprocating</b>	
1 Cyl., single or double acting .....	3.00
2 Cyl., single acting .....	2.50
2 Cyl., double acting .....	2.00
3 or more cylinders .....	2.00

\* For reversing applications with high inertia loads, please Consult Factory.

DOWNLOAD AVAILABLE CAD MODELS AT: [WWW.HUBCITYINC.COM](http://WWW.HUBCITYINC.COM)

**Certified prints are available upon request**

**CALL: (605) 225-0360 • FAX: (605) 225-0567**

# Hub City HubFlex® Coupling

## Service Factors

### HubFlex® Couplings Service Factors

Application .....	Service Factor
<b>Rubber Industry</b>	
Calendar .....	2.25
Cracker, Plasticolour .....	2.50
Extruder .....	2.00
Tire & Tube Press Opener (peak torque) .....	1.50
<b>Warming Mill</b>	
One or two mills in line .....	2.00
Three or more mills in line .....	2.50
Washer .....	2.75
<b>Screens</b>	
Air Washing .....	1.50
Grizzly .....	2.50
Rotary Coal or Sand .....	2.00
Vibrating .....	2.50
Water .....	1.50
<b>Sewage Disposal Equipment</b>	
Bar Screen, Chemical Feeders, Collectors,	
Dewatering Screen, Grit Collector .....	1.50
Mill Stands, Turbine Driven with all Helical or Herringbone Gears .....	1.75
Electric Drive or Steam Engine Drive with Helical or Herringbone .....	2.00
Stoker .....	1.00
<b>Sugar Industry</b>	
Cone Carrier and Leveler .....	2.25
Cane Knife and Crusher .....	2.50
Mill Stands, Turbine Driver with all helical or Herringbone Gears .....	1.75
Electric Drive or Steam Engine Drive with helical, Herringbone, or Spur Gears with any Prime Mover .....	2.00
<b>Textile Industry</b>	
Batcher .....	1.50
Calendar, Card Machine .....	1.75
Cloth Finishing Machine .....	1.75
Dry Can, Loom .....	1.75
Dyeing Machinery .....	1.50
Knitting Machine .....	Refer to Factory
Mangle, Napper, Soaper .....	1.50
Spinner, Tenter Frame, Winder .....	1.75
Tumbling Barrel .....	2.00
Winch, Maneuvering - Dredge, Marine .....	1.50
Windlass .....	1.50

\* For reversing applications with high inertia loads, please Consult Factory.

### Engine Service Factors

Service Factors for engine drives are those required for applications where good flywheel regulation prevents torque fluctuation greater than 20%. For drives where torque fluctuations are greater or where the operation is near a serious critical or torsional vibration, a mass elastic study is necessary.

To determine an engine drive service factor, first determine the application service factor for motors. Then, use that to find the correct engine service factor in the table below. When the application service factor for motors is greater than 2.0 or where 1, 2, or 3 cylinder engines are involved, please contact customer service with complete application details for engineering review.

Application Service Factor	Engine Factor	
	4 to 5 Cylinders	6+ Cylinders
1.00	2.000	1.500
1.25	2.250	1.750
1.50	2.500	2.000
1.75	2.750	2.250
2.00	3.000	2.500



# Hub City HubFlex® Coupling

## Compatibility Chart

A = Little to No Effect; B = Minor to Moderate Effect; C = Severe Effect to Destruction; N = No Data; Test Prior to Use

Acetaldehyde ..... C	Bleach Solutions ..... N	Freon, 12 or 113 ..... A	Palmitic Acid ..... A
Acetamide ..... N	Boric Acid ..... A	Fuel Oil ..... B	Paint Thinner ..... B
Acetic Acid ..... C	Brake Fluid ..... N	Gasoline ..... B	Peanut Oil ..... A
Acetic Anhydride ..... C	Bromine ..... B	Glucose ..... A	Perchloric Acid ..... C
Acetone ..... C	Bunker Oil ..... A	Glue ..... N	Perchloroethylene ..... C
Acetyl Bromide ..... C	Butane ..... A	Glycerin ..... A	Petroleum ..... B
Acetyl Chloride ..... C	Butyl Acetate ..... C	Heptane ..... A	Phenol (carbolic acid) ..... C
Acetylene ..... C	Butyl Alcohol ..... B	Hexane ..... A	Phosphoric Acid ..... C
Adipic Acid ..... A	Calcium Carbonate ..... B	Hydrazine ..... C	Potassium Cyanide ..... A
Aero Shell Grease ..... B	Calcium Chloride ..... A	Hydrobromic Acid ..... B	Potassium Salts ..... B
Aero Lubriplate ..... A	Calcium Hydroxide ..... A	Hydrocarbon Oil ..... A	Propane ..... B
Aero Safe 2300 ..... N	Calcium Hydroxide ..... A	Hydrochloric Acid ..... B	Propyl Alcohol ..... B
Aerozene 50 ..... N	Calcium Nitrate ..... B	Hydrofluoric Acid ..... B	Propylene Glycol ..... B
Aluminum Acetate ..... N	Calcium Sulfate ..... B	Hydrogen ..... A	Pydraul Oil ..... C
Aluminum Bromide ..... N	Carbon Dioxide ..... A	Hydrogen Peroxide ..... B	SAE #10 Oil ..... A
Aluminum Chloride ..... B	Carbon Disulfide ..... B	Hydrogen Sulfide ..... C	Seawater ..... A
Aluminum Sulfate ..... B	Carbon Monoxide ..... A	Hydrologic Acid ..... B	Silicic Acid ..... B
Ammonia ..... B	Carbon Tetrachloride ..... C	Iodine ..... A	Silver Nitrate ..... B
Ammonium Carbonate ..... B	Chlorine ..... N	Isobutyl Alcohol ..... N	Skydrol Oil ..... C
Ammonium Chloride ..... N	Chloroacetic Acid ..... C	Isopropyl Chloride ..... N	Soap ..... B
Ammonium Hydroxide ..... B	Chloroform ..... C	Isopropyl Ether ..... B	Sodium Acetate ..... A
Ammonium Nitrate ..... B	Chromic Acid ..... C	Isopropyl Alcohol (Propanol) .. B	Sodium Bicarbonate ..... B
Ammonium Persulfate ..... B	Chromium Potassium Sulfate . B	JP4 Oil ..... B	Sodium Borate ..... B
Ammonium Sulfate ..... B	Citric Acid ..... B	JP5 & 6 Oil ..... C	Sodium Carbonate ..... B
Ammonium Sulfide ..... B	Corn Oil ..... A	Kerosene ..... B	Sodium Chloride ..... B
Ammonium Thiocyanate ..... B	Cottonseed Oil ..... A	Lactic Acid ..... B	Sodium Cyanide ..... B
Amonnium Acetate ..... C	Cresol ..... C	Lead Acetate ..... B	Sodium Hydrosulfite ..... B
Amyl Acetate ..... C	Crude Oil ..... B	Linseed Oil ..... B	Sodium Hydroxide ..... B
Amyl Alcohol ..... C	Cupric Chloride ..... A	Liquefied Petroleum Gas ..... A	Sodium Hypochlorite ..... C
Aniline ..... C	Cupric Nitrate ..... B	Lubrication Oil ..... B	Sodium Nitrate ..... B
Aniline Hydrochloride ..... C	Cupric Sulfate ..... B	Lye ..... N	Sodium Silicate ..... A
Animal Fats & Oils ..... B	Cutting Oil ..... B	Magnesium Chloride ..... N	Sodium Sulfate ..... B
Antimony Salts ..... B	Cyclohexane ..... B	Magnesium Hydroxide ..... A	Sodium Sulfide ..... B
Aqua Regia ..... C	Cyclohexanone ..... C	Magnesium Salts ..... B	Steam ..... C
Arsenic Salts ..... B	Dibutyl Phthalate ..... C	Malaic Acid ..... C	Styrene ..... B
ASTM Oil #1 ..... A	Dichlorobenzene ..... C	Mercury ..... B	Sulfur Dioxide ..... B
ASTM Oil #2 ..... B	Diesel Fuel ..... B	Methyl Alcohol (methanol) ..... A	Sulfuric Acid ..... C
ASTM Oil #3 ..... B	Diester Oil ..... B	Methyl Ethyl Ketone ..... C	Tannic Acid ..... A
ASTM Reference Fuel ..... A	Dimethyl Acetamide ..... C	Methylene Chloride ..... C	Tartaric Acid ..... A
ASTM Reference Fuel ..... B	Dimethyl Formamide ..... C	MIL-D-5606 Oil ..... C	Toluene ..... C
Atlantic Oil ..... A	Dodecyl Mercaptan ..... B	MIL-L-7808 Oil ..... B	Transformer Oil ..... B
Barium Carbonate ..... B	DTE Oil ..... B	Mineral Oil ..... A	Turpentine ..... C
Barium Hydroxide ..... A	Dibutyl Ether ..... B	Mineral Spirits ..... N	Urea ..... B
Beer ..... A	EP Lubes ..... A	Naphthalene ..... B	Varnish ..... B
Benzaldehyde ..... B	Esso #90 Lube Oil ..... A	Natural Gas ..... B	Water ..... B
Benzene ..... C	Ether ..... B	Nickel Salts ..... C	
Benzoic Acid ..... B	Ethyl Acetate ..... C	Oxygen ..... A	
Black Sulphate Liquors ..... N	Ethyl Alcohol (Ethanol) ..... C	Ozone ..... A	
	Formic Acid ..... C		

DOWNLOAD AVAILABLE CAD MODELS AT: [WWW.HUBCITYINC.COM](http://WWW.HUBCITYINC.COM)

**Certified prints are available upon request**

**CALL: (605) 225-0360 • FAX: (605) 225-0567**

# Hub City HubFlex® Coupling

## Safety Guidelines

### SAFETY GUIDELINES

When using HubFlex® Couplings, you must follow the installation instructions and take the following precautions. Failure to do so may cause the HubFlex® Coupling(s) to break and parts to be thrown with sufficient force to cause severe injury or death.



Refer to this catalog for proper selection, sizing, horsepower, torque range, and speed range of HubFlex® Couplings. Follow the installation instructions included with the product. Do not exceed catalog ratings.

During start up and operation of HubFlex® Couplings, avoid sudden shock loads. HubFlex® Coupling assembly should operate quietly and smoothly. If HubFlex® Coupling assembly vibrates or makes beating sound, shut down immediately, and recheck alignment. Shortly after initial operation and periodically thereafter, where applicable, inspect HubFlex® Coupling assembly for: alignment, wear of elastomeric element, and flexing elements for signs of fatigue. Do not operate HubFlex® Coupling assembly if alignment is improper, or if elastomeric element is damaged or worn.

Do not use any HubFlex® Couplings for elevators, man lifts, or other devices that carry people. If the HubFlex® Coupling fails, the lift device could fall resulting in severe injury or death.

For all HubFlex® Couplings, you must install suitable guards in accordance with OSHA and American Society of Mechanical Engineers Standards. Do not start HubFlex® Coupling before suitable guards are in place. Failure to properly guard these products may result in severe injury or death from personnel contacting moving parts or from parts being thrown from assembly in the event the HubFlex® Coupling product fails.

If you have any questions, contact your Hub City, Inc. Sales Representative - [www.hubcityinc.com](http://www.hubcityinc.com)

# Hub City HubFlex® Coupling

## Quick Selection Guide



### Insert Features

Standard duty (Orange) Max Temp: 212 F  Greatest Dampening Lowest Torque	Medium Duty (Green) Max Temp: 212 F  Lower Dampening Higher Torque	Extreme Duty (Black) Max Temp: 212 F  Lowest Dampening Highest Torque	High Temp (Gray) Max Temp: 350 F  Dampening & Torque Same as Green	Food Grade (White) Max Temp: 212 F  Dampening & Torque Same as Orange FDA Approved Material
--	--	---	--	--

### MAX TORQUE RATING (in. lbs.) With STANDARD Cover

Max Bore	Coupling Series	Orange	Green	Black	Hi-Temp	Food Grade
1-1/4"	HF10	365	792	792	792	365

### MAX TORQUE RATING (in. lbs.) With EXTREME DUTY Cover

Max Bore	Coupling Series	Orange	Green	Black	Hi-Temp	Food Grade
1-5/8"	HF20	1254	2457	3789	2457	1254
2-1/4"	HF30	4099	7730	11914	7730	4099
2-3/8"	HF40	8630	17099	25870	17099	8630
3"	HF50	17315	34336	52408	34336	17315
3-7/8"	HF60	30353	58137	87110	58137	30353
4-1/8"	HF70	38048	75538	116432	75538	38048
Estimated Torque Ratings for Additional Sizes Available Soon:						
4-1/2"	HF80	75000	145000	220000	145000	75000
5-1/2"	HF90	105000	204000	310000	204000	105000
7"	HF100	175000	345000	550000	345000	175000
8"	HF110	300000	565000	870000	565000	300000
11"	HF120	NA	1120000	1680000	1120000	NA

DOWNLOAD AVAILABLE CAD MODELS AT: [WWW.HUBCITYINC.COM](http://WWW.HUBCITYINC.COM)

Certified prints are available upon request

CALL: (605) 225-0360 • FAX: (605) 225-0567

# Hub City Farm Products And Accessories

Farm Products & Accessories Features .....	R-2
Safety Warnings.....	R-4, R-11
<b>P. T. O. Adaptors</b>	
Splined – Standard Duty to 75 HP.....	R-6
Splined – Heavy Duty to 125 HP .....	R-6
Kwik-D-Tach Splined to 75 HP.....	R-7
Splined – Standard Duty for Tractors	
with 1 3/4-20 Splined P.T.O. to 75 HP .....	R-7
Splined – Heavy Duty for Tractors	
with 1 3/4-20 Splined P.T.O. to 125 HP .....	R-7
“Forged” – Standard Duty to 75 HP .....	R-8
Push-Pin Type to 75 HP.....	R-8
Round Shaft to 75 HP .....	R-8
Clamp Type to 75 HP .....	R-8
Sleeve Type Splined to 75 HP .....	R-8
<b>Over-Running Couplers</b>	
Kwik-D-Tach Tractor Models to 125 HP .....	R-10
Tractor Models to 75 HP .....	R-10
Utility Models to 75 HP .....	R-15
Universal Models to 75 HP .....	R-15
Special Models.....	R-15
<b>Splined Couplings</b>	
Splined Couplings .....	R-12
Involute Splined Couplings .....	R-12
Hydraulic Reducer Bushings.....	R-12
<b>Splined Shafts</b>	
Splined Shafts .....	R-13
Extension Shafts .....	R-13
Involute Splined Shafts .....	R-13
<b>Weld-On Adaptors</b>	
Splined Weld-Ons .....	R-9
Quick Release Weld-Ons.....	R-9
Square Bushing Weld-Ons .....	R-11
Sprocket Repair Hub for Transit-Mixer .....	R-11
<b>Couplings and Splined Hubs</b>	
Round Bore Couplings.....	R-14
Precision Splined Hubs .....	R-14
<b>P.T.O. Pump Drive Adaptors</b>	
Kwik-D-Tach Splined.....	R-9
Splined Pump Drive .....	R-9
<b>Stroke Control Segments for Hydraulic Cylinders .....</b>	<b>R-16</b>
<b>Over-Hung Load Adaptor for Orbit Motors .....</b>	<b>R-17</b>
<b>Model 330 Pump Drive .....</b>	<b>R-18 &amp; R-19</b>
<b>Lubrication &amp; Installation instructions .....</b>	<b>See Section S</b>
<b>Shipping Weights &amp; Index .....</b>	<b>R-20</b>

DOWNLOAD AVAILABLE CAD MODELS AT: [WWW.HUBCITYINC.COM](http://WWW.HUBCITYINC.COM)

**Certified prints are available upon request**

EMAIL: [hubsales@regalbeloit.com](mailto:hubsales@regalbeloit.com) • [www.hubcityinc.com](http://www.hubcityinc.com)



# Hub City Farm Products And Accessories

## Features:

- Power Ratings Up to 125 hp
- Splined PTO Adapters to Fit Most Tractor and Implement Shafting
- Kwik-D-Tach Connections for Safe and Secure Attachments
- Forged Adapters for High Horsepower Applications
- Clamp Type Adapters for Safe Permanent Installations
- Over-Running Couplers for Handling High-Inertia PTO Applications
- Splined Shafts, Couplings and Hubs for Convenient Design and Fabrications
- Stroke Control Segments for Hydraulic Cylinders
- Overhung Load Adapters for Orbit Motors
- Pump Drives for PTO Driven Hydraulic Pumps

## Options:

- Special Over-Running Coupler
- Modified and Custom Shafts, Hubs and Couplings
- Contact Hub City with Your Design Requirements!



DOWNLOAD AVAILABLE CAD MODELS AT: [WWW.HUBCITYINC.COM](http://WWW.HUBCITYINC.COM)  
Certified prints are available upon request

CALL: (605) 225-0360 • FAX: (605) 225-0567



# Hub City Farm Products And Accessories

## Warranty

Hub City Inc. warrants product to be free from defect in material and workmanship for one year from date of shipment. The company will repair or replace, F.O.B. shipping point, any item found to be defective upon inspection at Hub City's factory in Aberdeen, South Dakota within one year from date of shipment. See Terms and Conditions of Sale at the end of this catalog for complete warranty and limitation of liability statement.

## Adjustment Policy

SPLINED SHAFT ADAPTORS: Broken or damaged Splined Shaft Adaptors returned directly to the factory in Aberdeen, South Dakota, will be replaced on a no-charge basis.

FOR USER/OPERATOR SAFETY, SEE DETAILS ON PAGES R-4, R-5 & R-11

## How To Order

When ordering Hub City Farm Products and Accessories specify the part number and quantity for each item ordered. Orders may be placed by mail, telephone, fax or e-mail.

Hub City Inc.  
Box 1089  
Aberdeen, SD 57401

Telephone: 605/225-0360 Fax: 605/225-0567  
E-Mail: [sales@hubcityinc.com](mailto:sales@hubcityinc.com)  
Website: [www.hubcityinc.com](http://www.hubcityinc.com)

DOWNLOAD AVAILABLE CAD MODELS AT: [WWW.HUBCITYINC.COM](http://WWW.HUBCITYINC.COM)

**Certified prints are available upon request**

EMAIL: [hubsales@regalbeloit.com](mailto:hubsales@regalbeloit.com) • [www.hubcityinc.com](http://www.hubcityinc.com)



# Hub City Farm Products And Accessories




## IMPORTANT INFORMATION! PLEASE READ BEFORE USING PRODUCT



### PTO MOUNTED ACCESSORY SAFETY INSTRUCTION

The application of Hub City farm products/accessories may expose rotating implement drive line components from the equipment guarding and/or extend the tractor P.T.O. shaft and/or contract the implement drive line.

For the safety of the user/operator, the purchaser or his/her designee must shield and guard any exposed rotating components and extend the hitch point or shorten the implement drive line to accommodate the use of these products/accessories.

For the safety of the user/operator, the Hub City products in this catalog identified by this symbol  must be used only on the tractor P.T.O. shaft.

### APPLICATION

Mounting a Hub City PTO accessory on your tractor changes the relationship between the end of the operating (rotating) PTO shaft and the end of the tractor master power take-off (PTO) shield.



This change can result in exposed rotating implement drive line components and if left unguarded can result in serious injury or death to the user/operator.

To use this Hub City PTO accessory, you **MUST** extend the tractor master PTO shield to provide proper guarding of the implement PTO drive line.

The tractor to which you will be mounting this Hub City Power Take-off (PTO) accessory, must be equipped with an ASAE approved Tractor Master Power Take-Off (PTO) Shield supplied by the tractor manufacturer or constructed to American Society of Agricultural Engineers Standards and a Power Take-Off (PTO) Shield Extension as identified below and in Figure No. 1. If the tractor will not have these two (2) shields, **DO NOT** mount or use this PTO accessory.



Failure to properly guard can result in serious injury or death.

Your PTO driven implement **MUST BE** equipped with a shielded drive line at all times when using this Hub City power take-off accessory! If your PTO driven implement drive line is equipped with a tunnel type drive line shield that is attached to the drive line pedestal on the implement and attaches to the slot and tang on the tractor master power take-off (PTO) shield, that allows the tunnel shield to telescope as you turn corners, **DO NOT** use the implement with this or any other Hub City PTO accessory. The tractor master power take-off shield extension shown in Figure No. 1, covers the tractor master power-take off shield slot and tang and will not allow the attachment of the tunnel type drive line shield.



Before mounting the PTO device on the tractor power take-off (PTO) shaft, and configuring and mounting a PTO shield extension, disengage the tractor power take-off PTO shaft and shut off the tractor engine.

### INSTRUCTIONS

The information below will guide you in extending the tractor master power take-off (PTO) shield. If you are unable or unwilling to extend the tractor master power take-off (PTO) shield do not use or mount this Hub City PTO Accessory on your tractor.

The requirements of a tractor master power take-off (PTO) shield and its relationship to the tractor power take-off (PTO) shaft, that will provide the specifications to extend your tractor master power take-off (PTO) shield, can be obtained from:

The American Society of Agricultural Engineers (ASAE) – 2950 Niles Road – St. Joseph, MI 49085-9659  
Phone #616-429-0300, FAX #:616-429-3852, E-mail: [hq@asae.org](mailto:hq@asae.org), Web: <http://asae.org/>  
Ref: Std #S203.13, December 1999 or latest revision, front & rear power take-off for agricultural tractors.

Global Engineering Documents – 15 Inverness Way East – Englewood, CO 80112-5776  
Phone #303-397-7956 or 800-854-7179, Fax #: 303-397-2740, E-mail [global@ihs.com](mailto:global@ihs.com)  
Ref: ASAE Std S203-13 December 1999 or latest revision

Your tractor manufacturer, Ref: Your owner/operators manual for mailing address and phone number.

Your local implement dealer from whom you purchased your tractor or who provides similar tractors.

DOWNLOAD AVAILABLE CAD MODELS AT: [WWW.HUBCITYINC.COM](http://WWW.HUBCITYINC.COM)  
**Certified prints are available upon request**

**CALL: (605) 225-0360 • FAX: (605) 225-0567**

# Hub City Farm Products And Accessories



## IMPORTANT INFORMATION! PLEASE READ BEFORE USING PRODUCT



In the construction of a tractor master power take-off (PTO) shield extension, the following information can be used as a guideline.

**CAUTION** DO NOT USE this power take-off shield extension guideline with PTO accessories NOT manufactured by Hub City.

The shield extension material must be steel, the same or a greater thickness than the steel used in the tractor master power take-off (PTO) shield.

The shield extension material should be formed to closely fit the contour of the inside of the tractor master power take-off (PTO) shield.

The shield extension should be fastened to the tractor master power take-off (PTO) shield with a minimum of (7) 5/16 NC Grade 5 bolts, with flat washers, lock washer and nut, (2) bolts on each side and (3) bolts on top of the shield extension.

**CAUTION** DO NOT USE the tractor master power take-off (PTO) shield or the shield extension as a step.

A generic guideline for the dimensional size & construction characteristics of a PTO shield extension are shown in Figure No. 1:

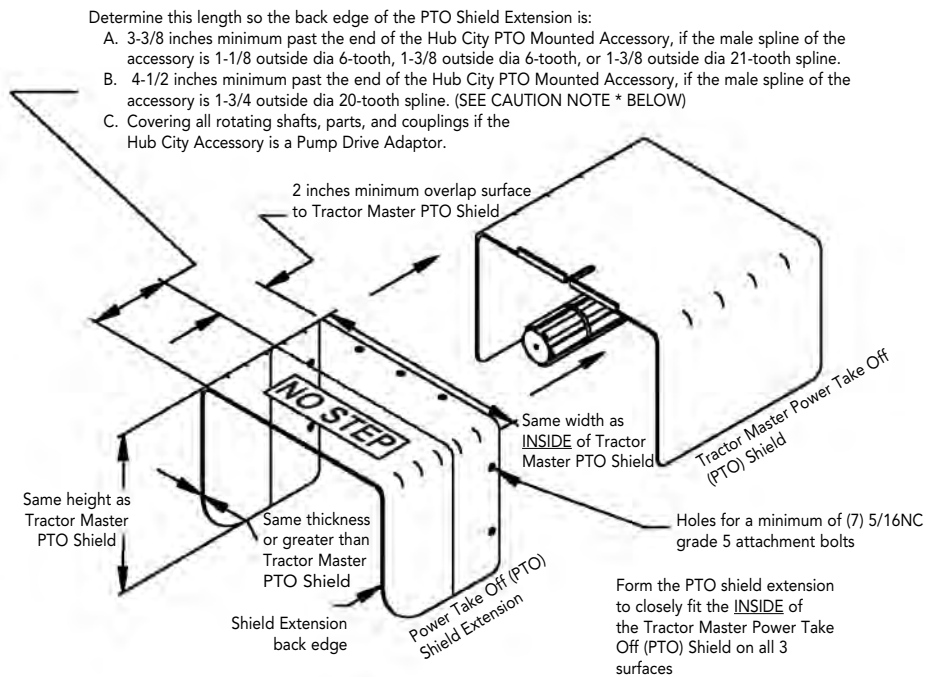


Figure No. 1

**CAUTION** \*If this Hub City PTO mounted accessory has a 1-3/4 outside diameter 20-tooth male spline, and is being mounted on a 1-1/8 or 1-3/8 outside diameter 6-tooth or 1-3/8 outside diameter 21-tooth male spline tractor PTO shaft, the tractor master power take-off (PTO) shield on the tractor is narrower and closer to the tractor PTO shaft than a tractor equipped with a 1-3/4 20-tooth male spline PTO shaft. Using this adaptor and extending the tractor master power take-off (PTO) shield and extension during short turns or very uneven ground. If this condition is evident, the tractor master power take-off (PTO) shield and extension must be modified to provide sufficient implement drive line and drive line shield clearance.



The installation of this Hub City PTO accessory on your tractor also changes the relationship between the end of the operating PTO shaft and the tractor draw bar hitch point. This extended tractor PTO shaft condition may require you to extend the tractor hitch point, and/or shorten the implement drive line to reduce excessive drive line angularity, resulting from short turns or very uneven ground, and/or prevent the implement drive line from bottoming out, which may damage the Hub City accessory and/or equipment and result in injury to the user/operator.

DOWNLOAD AVAILABLE CAD MODELS AT: [WWW.HUBCITYINC.COM](http://WWW.HUBCITYINC.COM)

Certified prints are available upon request

EMAIL: [hubsales@regalbeloit.com](mailto:hubsales@regalbeloit.com) • [www.hubcityinc.com](http://www.hubcityinc.com)



# Hub City Farm Products And Accessories

## P.T.O. Products



FOR USER/OPERATOR SAFETY  
SEE DETAILS PAGE R-4

### Splined Adaptors -To 75 HP

- Capacity to operate on tractors related to 75 P.T.O. HP
- Provide a means of connecting two dissimilar splines
- Welded steel construction for added strength
- Corrosion resistant finish
- Spring and retaining ring pin or setscrews furnished



FEMALE SPLINE	MALE SPLINE	LENGTH (INCHES)	EXTENDS TRACTOR P.T.O.		SECURED BY	PART NUMBER
			SHAFT END	SHAFT RETAINING GROOVE		
25mm-18	1 3/8-6	4 5/8	3 3/8	3 1/2	Cross Pin	0332-00084
1 1/8-6	1 3/8-6	5 1/2	3 3/4	3 5/8	Cross Pin	0332-03531
1 1/8-6	1 1/8-6	5 1/2	3 3/4	3 5/8	Cross Pin	0332-00377
1 3/8-6	1 1/8-6	6 1/2	4 3/8	4 1/4	Cross Pin	0332-00400
1 3/8-6	1 1/8-6	5 1/8	3 5/16	3 5/16	Cross Pin	0332-00420
1 3/8-6	1 3/8-6	6 1/2	4 3/8	3 7/8	Cross Pin	0332-00371
1 3/8-6	1 3/8-6	5 1/8	3 5/16	3 5/16	Cross Pin	0332-00378
1 3/8-21	1 3/8-6	6 1/2	4 3/8	3 7/8	Setscrew	0332-00373
1 3/8-21	1 3/4-20	7	5	4 1/2	Setscrew	0332-00070
1 3/4-6	1 3/8-6	6 1/2	4 3/4	4 5/8	Cross Pin	0332-00401

### Splined Adaptors -To 125 HP

- Capacity to operate on tractors related to 125 P.T.O. HP
- Developed for long and rugged use
- Alloy steel, heat treated for extra strength
- Corrosion resistant finish
- Setscrews furnished



FEMALE SPLINE	MALE SPLINE	LENGTH (INCHES)	EXTENDS TRACTOR P.T.O.		SECURED BY	PART NUMBER
			SHAFT END	SHAFT RETAINING GROOVE		
1 3/8-21	1 3/8-21	6 7/8	4 13/16	4 13/16	Setscrew	0332-00001
1 3/8-21	1 3/8-6	6 7/8	4 13/16	4 11/16	Setscrew	0332-00002
1 3/8-21	1 3/4-20	7 11/16	5 31/64	4 63/64	Clamp Type	0332-00094**
1 3/8-6	1 3/8-21	6 7/8	4 13/16	5 5/16	Setscrew	0332-00004
1 3/8-6	1 3/8-6	6 7/8	4 13/16	5 3/16	Setscrew	0332-00005

\*\* Not heat treated

DOWNLOAD AVAILABLE CAD MODELS AT: [WWW.HUBCITYINC.COM](http://WWW.HUBCITYINC.COM)

**Certified prints are available upon request**

CALL: (605) 225-0360 • FAX: (605) 225-0567



FOR USER/OPERATOR SAFETY  
SEE DETAILS PAGE R-4

# Hub City Farm Products And Accessories

## P.T.O. Products

### Kwik-D-Tach Splined Adaptors -To 75 HP

- Capacity to operate on tractors rated to 75 P.T.O. HP
- Patented Quick Release Drive
- New P.T.O. Quick Release Concept – Spring Loaded –rotates about 30° by hand for quick release
- Dependable operation – no sticking pins. Always easily operated
- No sharp edges, protrusions, pins or other interferences to injure operators



⊗ See usage safety warning on page R-4

FEMALE SPLINE	MALE SPLINE	LENGTH (INCHES)	EXTENDS TRACTOR P.T.O.		PART NUMBER
			SHAFT END	SHAFT RETAINING GROOVE	
1 3/8-6	1 3/8-6	6 1/2	4 3/8	4 3/8	0332-00010
1 3/8-6	1 3/8-21	6 1/2	4 3/8	4 7/8	0332-00013
1 3/8-6	1 1/8-6	6 1/2	4 3/8	4 3/4	0332-00015
1 3/8-21	1 3/8-6	6 1/2	4 3/8	3 7/8	0332-01373
1 3/8-21	1 3/8-21	6 1/2	4 3/8	4 3/8	0332-02121
Repair Kit					0332-00086

### Splined Adaptors -To 75 HP

For tractors with 1 3/4 - 20 Spline P.T.O.

⊗ See usage safety warning on page R-4

FEMALE SPLINE	MALE SPLINE	LENGTH (INCHES)	EXTENDS TRACTOR P.T.O.		SECURED BY	PART NUMBER
			SHAFT END	SHAFT RETAINING GROOVE		
1 3/4-20	1 3/8-6	8 3/8	5 3/8	5 3/8	Clamp Type	0332-01476
1 3/4-20	1 3/8-21	8 3/8	5 3/8	5 11/8	Clamp Type	0332-01477



### Heavy-Duty Splined Adaptors -To 125 HP

For tractors with 1 3/4 - 20 Spline P.T.O.

⊗ See usage safety warning on page R-4

FEMALE SPLINE	MALE SPLINE	LENGTH (INCHES)	EXTENDS TRACTOR P.T.O.		SECURED BY	PART NUMBER
			SHAFT END	SHAFT RETAINING GROOVE		
1 3/4-20	1 3/8-6	8 3/8	5 3/8	5 3/8	Clamp Type	0332-01490
1 3/4-20	1 3/8-21	8 3/8	5 3/8	5 11/8	Clamp Type	0332-01491



DOWNLOAD AVAILABLE CAD MODELS AT: [WWW.HUBCITYINC.COM](http://WWW.HUBCITYINC.COM)

Certified prints are available upon request

EMAIL: [hubsales@regalbeloit.com](mailto:hubsales@regalbeloit.com) • [www.hubcityinc.com](http://www.hubcityinc.com)



# Hub City Farm Products And Accessories

## P.T.O. Products



FOR USER/OPERATOR SAFETY  
SEE DETAILS PAGE R-4

### "Forged" P.T.O. Adaptor – to 75 HP

- 1 3/8 - 6 Spline female — 1 3/8 - 6 Spline male PART NO. 0332-00018
- "Forged" internal spline
- Universal quick-detach slot and bolt holes – can be used with any American, British or European P.T.O. system
- Furnished with 5/16 x 1 1/16 spring pin for direct connection to P.T.O.
- Overall length: 3 – extends P.T.O. 1 1/8



### Push-Pin Type P.T.O. Adaptors – to 75 HP

#### Quick Release Extension Adaptor

⊗ See usage safety warning on page R-4

FEMALE SPLINE	MALE SPLINE	LENGTH (INCHES)	EXTENDS TRACTOR P.T.O.		PART NUMBER
			SHAFT END	SHAFT RETAINING GROOVE	
1 3/8-6	1 3/8-21	6 1/2	4 3/8	4 7/8	0332-00092
1 3/8-21	1 3/8-6	6 1/2	4 3/8	3 7/8	0332-01375
Repair Kit					0335-90120



Spring Type Release

### Round Shaft Adaptors – to 75 HP

FEMALE ROUND	KEYWAY	MALE SPLINE	LENGTH	EXTENDS SHAFT	PART NUMBER
1	1/4	1 3/8-6	5 11/16	3 1/4	0332-00376
1 1/8	1/4	1 3/8-6	5 11/16	3 3/16	0332-00430
1 1/4	1/4	1 3/8-6	5 11/16	3 3/16	0332-00431
1 3/8	5/16	1 3/8-6	5 11/16	3 3/16	0332-00432
1 1/2	3/8	1 3/8-6	6 5/16	4	0332-00433



### Clamp Type P.T.O. Adaptors – to 75 HP

⊗ See usage safety warning on page R-4

FEMALE SPLINE	MALE SPLINE	LENGTH (INCHES)	EXTENDS TRACTOR P.T.O.		PART NUMBER
			SHAFT END	SHAFT RETAINING GROOVE	
1 1/8-6	1 3/8-6	7 5/16	4 5/8	4 5/8	0332-01354
1 3/8-6	1 3/8-6	6 1/2	4 3/8	4 3/8	0332-00057
1 3/8-21	1 3/8-6	6 1/2	4 3/8	3 7/8	0332-00087



### Sleeve Type Splined Adaptors – to 75 HP

FEMALE SPLINE	MALE SPLINE	LENGTH (INCHES)	PART NUMBER	SPECIAL APPLICATIONS
3 1/2-10	1 3/8-6	2 1/4	0332-00355	IHC Cub & Kubota
1 1/8-6	1 3/8-6	2 1/4	0332-00352	
1 1/8-6	1 3/8-6	2	0332-00363	Replaced Ford 231082
1 3/8-6	1 3/4-6	2 1/2	0332-00403	



DOWNLOAD AVAILABLE CAD MODELS AT: [WWW.HUBCITYINC.COM](http://WWW.HUBCITYINC.COM)  
Certified prints are available upon request

CALL: (605) 225-0360 • FAX: (605) 225-0567



FOR USER/OPERATOR SAFETY  
SEE DETAILS PAGE R-4

# Hub City Farm Products And Accessories

P.T.O. Products

## Kwik-D-Tach Splined Pump Drive Adaptors

Same safe, dependable, fast action release as Kwik-D-Tach Splined Adaptors

⊗ See usage safety warning on page R-4

FEMALE SPLINE	FEMALE ROUND**	KEYWAY	LENGTH(INCHES)	PART NUMBER
1 3/8-6	.625	3/16 x 3/32	4 1/8	0332-00012
1 3/8-6	.750	3/16 x 3/32	4 1/8	0332-00014
1 3/8-6	.875	3/16 x 3/32	4 1/8	0332-00011
1 3/8-6	.937	1/4 x 1/8	4 1/8	0332-00040
1 3/8-6	1.000	1/4 x 1/8	4 1/8	0332-00016
1 3/8-6	1.125	1/4 x 1/8	4 1/8	0332-00017

\*\* Nominal + .002



## Splined Pump Drive Adaptors

1 3/8 - 21 Spline Pump Drives are supplied with setscrews

FEMALE SPLINE	FEMALE ROUND**	KEYWAY	LENGTH(INCHES)	PART NUMBER
1 1/8-6	1.000	1/4 x 1/8	3 1/16	0332-00412
1 3/8-6	.625	3/16 x 3/32	4 1/8	0332-00407
1 3/8-6	.750	3/16 x 3/32	4 1/8	0332-00408
1 3/8-6	.875	3/16 x 3/32	4 1/8	0332-00409
1 3/8-6	.937	1/4 x 1/8	4 1/8	0332-00413
1 3/8-6	1.000	1/4 x 1/8	4 1/8	0332-00410
1 3/8-6	1.125	1/4 x 1/8	4 1/8	0332-00411
1 3/8-21	.625	3/16 x 3/32	4 1/8	0332-00607
1 3/8-21	.750	3/16 x 3/32	4 1/8	0332-00608
1 3/8-21	.937	1/4 x 1/8	4 1/8	0332-00612
1 3/8-21	1.000	1/4 x 1/8	4 1/8	0332-00610
1 3/8-21	1.125	1/4 x 1/8	4 1/8	0332-00611

\*\* Nominal + .002



## Splined Weld-Ons

DESCRIPTION	PART NUMBER
1 1/8-6 Spline, 5 1/4 Long	0332-00358
1 3/8-6 Spline, 5 1/2 Long	0332-00359
1 3/8-21 Spline, 5 1/2 Long	0332-00019



## Quick Release Weld-Ons

⊗ See usage safety warning on page R-4

DESCRIPTION	PART NUMBER
1 3/8-21 Spline, 3 5/16 Long	0332-01350
1 3/8-6 Spline, 3 5/16 Long	0332-01345



DOWNLOAD AVAILABLE CAD MODELS AT: [WWW.HUBCITYINC.COM](http://WWW.HUBCITYINC.COM)

Certified prints are available upon request

EMAIL: [hubsales@regalbeloit.com](mailto:hubsales@regalbeloit.com) • [www.hubcityinc.com](http://www.hubcityinc.com)





# Hub City Farm Products And Accessories

## P.T.O. Products



FOR USER/OPERATOR SAFETY  
SEE DETAILS PAGE R-4

### Over-Running Couplers

HUB CITY Over-Running Couplers provide a safe way to protect operators and machinery where inertia of driven units: e.g. rotary mowers, balers, hay conditioners, etc. can over-run driving source. They take the push out of

the driven machine and eliminate the chance of broken or twisted P.T.O. shafts. Over-Running Couplers drive solidly from tractor to driven implement, but over-run smoothly when implement exceeds P.T.O. speeds.

### Kwik-D-Tach Tractor Models – to 125 HP

- Patent applied for – pending serial No. U.S. 465 641 – Canadian 1 117 114
- Capacity to operate on tractors to 125 P.T.O. HP
- New P.T.O. Quick Release Concept – Spring Loaded – rotates about 30° by hand for quick release
- Designed to operate with 1000 RPM P.T.O.'s
- Installation and lubrication instructions enclosed with each coupler



⊗ See usage safety warning on page R-4

FEMALE SPLINE	MALE SPLINE	LENGTH (INCHES)	EXTENDS TRACTOR P.T.O.		PART NUMBER
			SHAFT END	SHAFT RETAINING GROOVE	
1 3/8-6	1 3/8-6	7 3/16	4 3/16	5 3/16	0331-00010
1 3/8-6	1 3/8-21	7 3/16	4 11/16	5 3/16	0331-00011*
1 3/8-21	1 3/8-6	7 3/16	5 5/16	5 3/16	0331-00012
1 3/8-21	1 3/8-21	7 3/16	5 3/16	5 3/16	0331-00013
Repair Kit					0337-00126

\* Manufactured to order

### Tractor Models – to 75 HP

Over-Running Couplers covered by Patent No. 3,233,471 – Canadian Patent No. 727-982

- All steel welded housing
- Heat treated alloy steel inner sleeve
- Hardened steel keys, spring loaded
- Snap ring construction for quick, easy disassembly for cleaning and service
- Spring roll pin for quick mounting to tractor
- Convenient grease fitting for gun lubrication
- Designed to operate with 1000 RPM P.T.O.'s



SHIPPING WGT. 6 LBS.

⊗ See usage safety warning on page R-4

FEMALE SPLINE	MALE SPLINE	LENGTH (INCHES)	EXTENDS TRACTOR P.T.O.		FITS TRACTOR	PART NUMBER
			SHAFT END	SHAFT RETAINING GROOVE		
1 1/8-6	1 1/8-6	6 21/32	4 5/32	4 1/32	All with Cross Pin Hole Including Ford	0331-00690
1 1/8-6	1 3/8-6	6 21/32	4 5/32	4 1/32	All with Cross Pin Hole Including Ford	0331-00670
1 3/8-6	1 1/8-6	6 21/32	4 5/32	4 1/32	All with Cross Pin Hole Including Ford	0331-00680*
1 3/8-6	1 3/8-6	6 21/32	4 5/32	4 1/32	All with Cross Pin Hole Including Ford	0331-00660
Repair Kit						0337-00076

Installation and lubrication instructions enclosed with each coupler.

For Non-PTO Over-running Couplers, refer to page R-15.

\* Manufactured to order

DOWNLOAD AVAILABLE CAD MODELS AT: [WWW.HUBCITYINC.COM](http://WWW.HUBCITYINC.COM)

**Certified prints are available upon request**

CALL: (605) 225-0360 • FAX: (605) 225-0567



# Hub City Farm Products And Accessories

## Non P.T.O. Products

FOR USER/OPERATOR SAFETY  
SEE DETAILS PAGE R-11

### Non P.T.O. Product Safety



For safety, purchaser or user must provide protective guards over all rotating shafts and any moving apparatus mounted thereon. The user is responsible for checking all applicable safety codes in his area and for the equipment utilizing this component, and providing suitable guards.

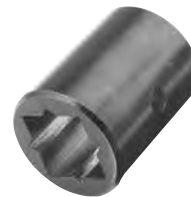
Buyer shall be solely responsible for determining the adequacy of this product for any and all uses to which the buyer shall apply this product. The application by the buyer shall not be subject to any implied warranty of fitness for a particular purpose. The purchaser/user of this component accepts responsibility for the above issues when removing the safety warning label from the component.



DO NOT OPERATE WITHOUT PROPER GUARDS. FAILURE TO GUARD CAN RESULT IN SERIOUS INJURY OR DEATH AND DAMAGE TO THE EQUIPMENT.

### Square Bushing Weld-Ons

I.D.	O.D.	LENGTH (INCHES)	PART NUMBER
7/8 & 1 Square	1 3/4	2 1/4	0332-00360
1 1/8 Square	2	2 1/2	0332-00362
1 1/4 Square	2 1/4	2 1/2	0332-00364



### Sprocket Repair Hub for Transit-Mixer

NO. OF SPLINES	SPLINE DESCRIPTION	SPLINE O.D.	SHOULDER O.D.	PILOT O.D.	PILOT LENGTH	O.A. LENGTH	PART NUMBER
23	8/16 INV.	3	4 1/2	4	1 15/32	3 5/64	0332-00045



DOWNLOAD AVAILABLE CAD MODELS AT: [WWW.HUBCITYINC.COM](http://WWW.HUBCITYINC.COM)

Certified prints are available upon request

EMAIL: [hubsales@regalbeloit.com](mailto:hubsales@regalbeloit.com) • [www.hubcityinc.com](http://www.hubcityinc.com)



# Hub City Farm Products And Accessories

## Non P.T.O. Products



FOR USER/OPERATOR SAFETY  
SEE DETAILS PAGE R-11

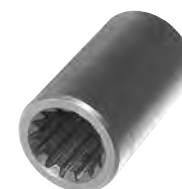
### Splined Couplings

SPLINED SIZE	O.D.	LENGTH (INCHES)	PART NUMBER
3/4-6	1 3/8	2 1/2	0332-00336
7/8-6	1 3/8	2 1/2	0332-00337
3 1/2-10 (IHC CUB & KUBOTA)	1 3/8	2 3/4	0332-00340
1-10	1 3/8	2 1/2	0332-00338
1-6	1 3/8	2 3/4	0332-00341
1 1/8-6	1 3/8	2 3/4	0332-00344
1 1/4-6	1 3/8	3 1/4	0332-00342
1 1/4-10	1 3/4	3 3/4	0332-00348
1 3/8-6	1 3/4	3 3/4	0332-00345
1 3/8-10	1 3/4	3	0332-00365
1 1/2-6	1 7/8	3 3/4	0332-00347
1 1/2-10	1 7/8	3	0332-00367
1 5/8-6	2	3 3/4	0332-00349
1 3/4-6	2 1/4	3 3/4	0332-00346



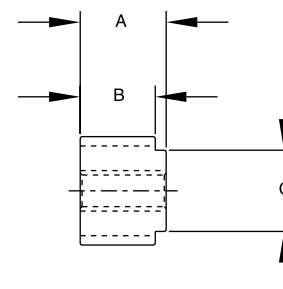
### Involute Splined Couplings

NO. OF SPLINES	SPLINE DESCRIPTION	SPLINE O.D.	COUPLING O.D.	COUPLING LENGTH	PART NUMBER
9	16/32 DP 30° PA	.625	1 3/8	2	0332-00027
11	16/32 DP 30° PA	.750	1 3/8	2	0332-00066
13	16/32 DP 30° PA	.875	1 3/8	3	0332-00028
15	16/32 DP 30° PA	1.000	1 1/2	3	0332-00043
14	12/24 DP 30° PA	1.250	1 3/4	3	0332-00029
21	16/32 DP 30° PA	1.375	1 3/4	3	0332-00350
20	12/24 DP 30° PA	1.750	2 1/4	3 3/4	0332-00320
13	8/16 DP 30° PA	1.750	2 1/4	3 3/4	0332-00030
27	16/32 DP 30° PA	1.750	2 1/4	3	0332-00351



### Hydraulic Reducer Bushings

MALE SPLINE	FEMALE SPLINE	A	B	C	PART NUMBER
1 3/4 - 13T 8/16 DP, 30° PA	5/8 - 9T 16/32 DP, 30° PA	1 3/8	1 7/8	1 5/8	23-01531
1 3/4 - 13T 8/16 DP, 30° PA	7/8 - 13T 16/32 DP, 30° PA	1 3/8	1 7/8	1 5/8	23-01532
1 3/4 - 13T 8/16 DP, 30° PA	1 1/4 - 14T 12/24 DP, 30° PA	1 7/8	N/A	N/A	23-01533
1 3/4 - 13T 8/16 DP, 30° PA	1 - 15T 16/32 DP, 30° PA	1 3/8	1 7/8	1 5/8	23-01558
1 1/4 - 14T 12/24 DP, 30° PA	.625 Round 5/8 x 5/64 KW	1 1/8	N/A	N/A	0223-02150
1 1/4 - 14T 12/24 DP, 30° PA	5/8 - 9T 16/32 DP, 30° PA	1 1/8	N/A	N/A	0223-02149
1 1/4 - 14T 12/24 DP, 30° PA	7/8 - 13T 16/32 DP, 30° PA	1 1/8	N/A	N/A	0223-02148



DOWNLOAD AVAILABLE CAD MODELS AT: [WWW.HUBCITYINC.COM](http://WWW.HUBCITYINC.COM)

Certified prints are available upon request

CALL: (605) 225-0360 • FAX: (605) 225-0567



FOR USER/OPERATOR SAFETY  
SEE DETAILS PAGE R-11

# Hub City Farm Products And Accessories

## Non P.T.O. Products

### Splined Shafts

SIZE	SPLINE	LENGTH (INCHES)	PART NUMBER
1	6	10	0332-00390
1 1/8	6	10	0332-00391
1 1/4	6	10	0332-00392
1 1/4	10	10	0332-00393
1 3/8	6	10	0332-00394
1 1/2	6	10	0332-00396
1 5/8	6	10	0332-00397
1 3/4	6	10	0332-00398



### Extension Shafts

SPLINE	SPLINE	LENGTH (INCHES)	PART NUMBER
1 3/8-6	1 3/8-6	9	0332-00356
1 3/8-6	1 1/8-6	9	0332-00357



### Involute Splined Shafts

NO. OF SPLINES	SPLINE DESCRIPTION	SPLINE O.D.	SHAFT LENGTH	PART NUMBER
9	16/32 DP 30° PA	.625	6	0332-00023
13	16/32 DP 30° PA	.875	6	0332-00024
15	16/32 DP 30° PA	1	8	0332-00044
14	12/24 DP 30° PA	1.25	10	0332-00025
21	16/32 DP 30° PA	1.375	10	0332-00395
16	10/20 DP 30° PA	1.7	10	0332-00038
13	8/16 DP 30° PA	1.75	10	0332-00026
27	16/32 DP 30° PA	1.75	10	0332-00399
34	20/40 DP 30° PA	1.750	10	0332-00415*
16	8/16 DP 30° PA	2.125	10	0332-00039



\* Manufactured to order

# Hub City Farm Products And Accessories

## Non P.T.O. Products



FOR USER/OPERATOR SAFETY  
SEE DETAILS PAGE R-11

### Round Bore Couplings

- Use to join two shafts
- Repair pulleys, gears, sprockets, etc.
- O.D. and I.D. concentricity not held to close limits
- If precision O.D. and I.D. concentricity is required, write for quotations
- Not drilled for setscrews



BORE SIZE	KEYWAY	O.D.	LENGTH(INCHES)	PART NUMBER
$\frac{3}{4}$	$\frac{3}{16}$	1 $\frac{1}{2}$	2 $\frac{3}{4}$	0332-00380
$\frac{7}{8}$	$\frac{3}{16}$	1 $\frac{1}{2}$	2 $\frac{3}{4}$	0332-00381
1	$\frac{1}{4}$	1 $\frac{3}{4}$	2 $\frac{3}{4}$	0332-00382
1 $\frac{1}{16}$	$\frac{1}{4}$	1 $\frac{3}{4}$	2 $\frac{3}{4}$	0332-00383*
1 $\frac{1}{8}$	$\frac{1}{4}$	2	3	0332-00384
1 $\frac{3}{16}$	$\frac{1}{4}$	2	3	0332-00385
1 $\frac{1}{4}$	$\frac{1}{4}$	2	3	0332-00386
1 $\frac{5}{16}$	$\frac{5}{16}$	2	3	0332-00387*
1 $\frac{3}{8}$	$\frac{5}{16}$	2 $\frac{1}{8}$	3	0332-00388
1 $\frac{7}{16}$	$\frac{3}{8}$	2 $\frac{1}{8}$	3	0332-00389
1 $\frac{1}{2}$	$\frac{3}{8}$	2 $\frac{1}{4}$	3	0332-00379

### Precision Splined Hubs

- Designed for hydraulic motors
- Made from low alloy, high carbon steel
- Close tolerance O.D. and I.D. concentricity permits accurate mounting of sheave or sprocket
- Precision also permits accurate chucking for additional mounting



NO. OF SPLINES	SPLINE DESCRIPTION		SPLINE O.D.	HUB O.D.	LENGTH(INCHES)	PART NUMBER
6	6B	Str. Side	1.000	2.001/2.000	1 $\frac{3}{4}$	0332-00031
18	1.25 Module	20° PA	.984	1.751/1.750	1 $\frac{3}{4}$	0332-00085
9	16/32 DP	30° PA	.625	1.251/1.250	1 $\frac{1}{4}$	0332-00032
11	16/32 DP	30° PA	.750	1.501/1.500	1 $\frac{1}{2}$	0332-00071
13	16/32 DP	30° PA	.875	1.501/1.500	1 $\frac{1}{2}$	0332-00033
15	16/32 DP	30° PA	1.000	1.751/1.750	1 $\frac{3}{4}$	0332-00072
21	16/32 DP	30° PA	1.375	2.251/2.250	2 $\frac{1}{8}$	0332-00035
17	12/24 DP	30° PA	1.500	2.251/2.250	2 $\frac{1}{4}$	0332-00093
23	16/32 DP	30° PA	1.500	2.251/2.250	2 $\frac{1}{8}$	0332-00073
27	16/32 DP	30° PA	1.750	3.001/3.000	2 $\frac{1}{4}$	0332-00075
14	12/24 DP	30° PA	1.250	2.251/2.250	2	0332-00034
16	10/20 DP	30° PA	1.700	2.751/2.750	2 $\frac{1}{4}$	0332-00036
13	8/16 DP	30° PA	1.750	3.001/3.000	2 $\frac{1}{4}$	0332-00074
16	8/16 DP	30° PA	2.125	3.501/3.500	2 $\frac{31}{32}$	0332-00037

DOWNLOAD AVAILABLE CAD MODELS AT: [WWW.HUBCITYINC.COM](http://WWW.HUBCITYINC.COM)

**Certified prints are available upon request**

CALL: (605) 225-0360 • FAX: (605) 225-0567



FOR USER/OPERATOR SAFETY  
SEE DETAILS PAGE R-11

# Hub City Farm Products And Accessories

## Non P.T.O. Products

### Utility Models – to 75 HP

- Same construction as Standard-Duty Tractor Models
- For those applications other than tractor P.T.O. shafts, where the driven shaft overruns the driver occasionally or where one shaft must override or idle part of the time.
- Operating Speed to 1000 RPM



Shipping Wgt. 6 lbs.

FEMALE SPLINE	MALE EXTENSION	PART NUMBER
1 ¼ Rd., ¼ KW	1 ¼ Rd., ¼ KW	0331-00615
Repair Kit		0337-00076

Installation and lubrication instructions enclosed with each coupler

### Universal Models– to 75 HP

- Same construction as Standard-Duty Tractor Models
- Universal flange for mounting sheave or sprocket, has six ⅜" holes equally spaced on 4 ¼" Bolt Circle.  
Flange O.D. 5" – Hub O.D. 2 ¾"
- Operating Speed to 1000 RPM



Shipping Wgt. 6 lbs.

FEMALE SLEEVE		PART NUMBER
I.D.	TYPE	
1 ¼	Round w/¼ keyway	0331-00600
1 ⅜	Round w/⅝ keyway	0331-00607
Repair Kit		0337-00082

### Special Over-Running Models

Send us details of your special requirements!  
We can design and manufacture to your order.  
Pictured to the right is a special unit with sprocket welded to outer housing.



DOWNLOAD AVAILABLE CAD MODELS AT: [WWW.HUBCITYINC.COM](http://WWW.HUBCITYINC.COM)

**Certified prints are available upon request**

EMAIL: [hubsales@regalbeloit.com](mailto:hubsales@regalbeloit.com) • [www.hubcityinc.com](http://www.hubcityinc.com)



# Hub City Farm Products And Accessories

## Non P.T.O. Products



FOR USER/OPERATOR SAFETY  
SEE DETAILS PAGE R-11

### Stroke Control Segments for Hydraulic Cylinders

- Cast iron segments for durability
- Rigidly attached spring with contoured handle permits installation and removal with one hand
- Universal: each segment assembly fits all shaft sizes 1 through 1 3/4 inches
- Large area parallel compression face of segments distribute cylinder clamping load over a greater area of the cylinder head and cylinder rod ends clevis to minimize possible cylinder damage
- Attached spring reduces loss of segment halves
- Provides 1/4 inch adjustments from 1 through 6 1/2 inches
- Can be ordered by sets or segments



### Segment Combinations

FOR STROKE REDUCTION (INCHES)	USE SEGMENT (INCHES)	FOR STROKE REDUCTION (INCHES)	USE SEGMENT (INCHES)
1	1	3 1/2	1, 1, 1 1/2
1 1/4	1 1/4	3 3/4	1, 1 1/4, 1 1/2
1 1/2	1 1/2	4	1, 1 1/4, 1 3/4
1 3/4	1 3/4	4 1/4	1, 1 1/2, 1 3/4
2	1, 1	4 1/2	1 1/4, 1 1/2, 1 3/4
2 1/4	1, 1 1/4	4 3/4	1, 1, 1 1/4, 1 1/2
2 1/2	1, 1 1/2	5	1, 1, 1 1/4, 1 3/4
2 3/4	1, 1 3/4	5 1/4	1, 1, 1 1/2, 1 3/4
3	1 1/4, 1 3/4	5 1/2	1, 1 1/4, 1 1/2, 1 3/4
3 1/4	1 1/2, 1 3/4	6 1/2	1, 1, 1 1/4, 1 1/2, 1 3/4

SET OF 5 SEGMENTS	WEIGHT (LBS.)	PART NUMBER
	7.7	0339-80000
Set Includes:		
2 - 1 In. Segments	1.2	0339-80001
1 - 1 1/4 In. Segment	1.4	0339-80002
1 - 1 1/2 In. Segment	1.8	0339-80003
1 - 1 3/4 In. Segment	2.1	0339-80004

DOWNLOAD AVAILABLE CAD MODELS AT: [WWW.HUBCITYINC.COM](http://WWW.HUBCITYINC.COM)  
Certified prints are available upon request

CALL: (605) 225-0360 • FAX: (605) 225-0567





# Hub City Farm Products And Accessories

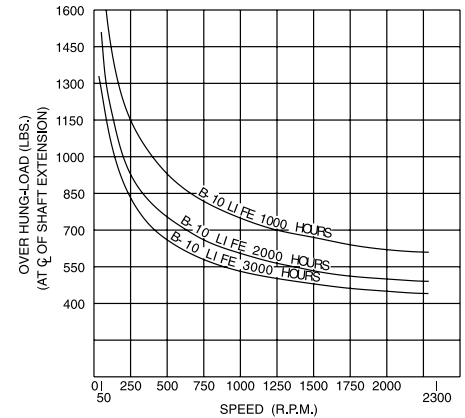
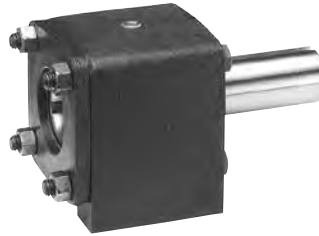
## Non P.T.O. Products

FOR USER/OPERATOR SAFETY  
SEE DETAILS PAGE R-11

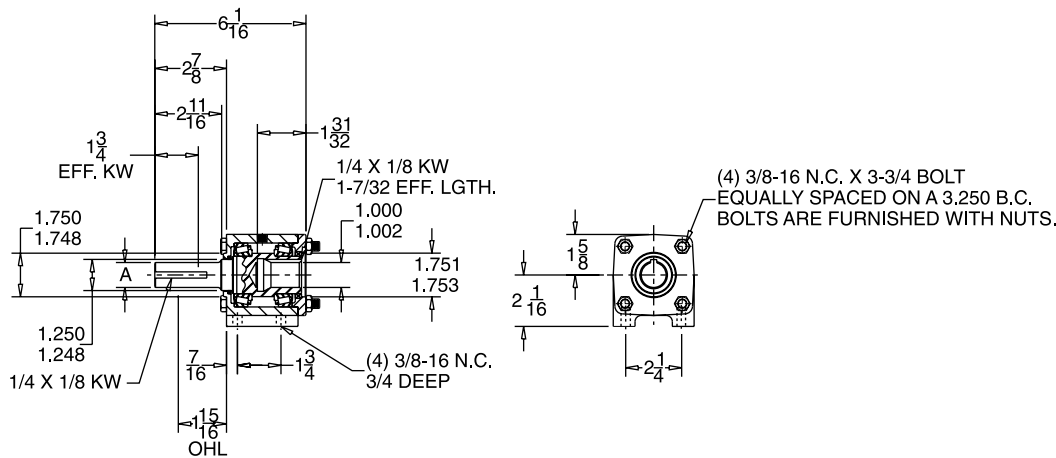
### Over-Hung Load Adaptor for Orbit Motors

Specifically designed to direct connect with the orbit motor and provide substantially greater capacity for sprockets, sheaves, etc.

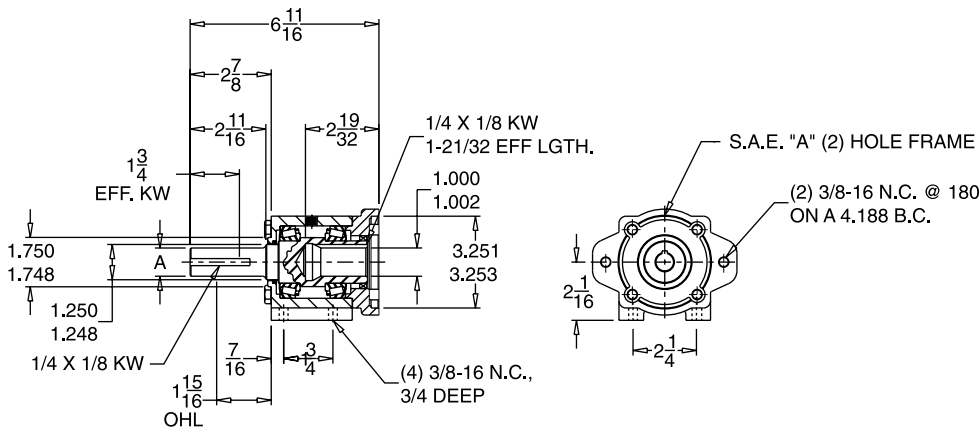
- Tapered Roller Bearings
- Grease Seals
- Lubricated for Life
- Two (2) Shaft Sizes
- Maximum O.H.L. Capacity



### Dimensions for Char-Lynn Orbit Motors



### Dimensions for S.A.E. "A" 2-Hole Orbit Motors



ITEM	SHAFT DIA. A	PART NUMBER	WGT. EACH
CHAR-LYNN MOTORS	1.000/.998	0334-00028	9 lbs.
CHAR-LYNN MOTORS	1.250/1.248	0334-00035	9 lbs.
S.A.E. 2-HOLE MOTORS	1.000/.998	0334-00042	11 lbs.
S.A.E. 2-HOLE MOTORS	1.250/1.248	0334-00043	11 lbs.

EXTREME OVER-HUNG LOADS WILL REQUIRE THE LARGER DIAMETER SHAFT

DOWNLOAD AVAILABLE CAD MODELS AT: [WWW.HUBCITYINC.COM](http://WWW.HUBCITYINC.COM)

Certified prints are available upon request

EMAIL: [hubsales@regalbeloit.com](mailto:hubsales@regalbeloit.com) • [www.hubcityinc.com](http://www.hubcityinc.com)



# Hub City Farm Products And Accessories

## Model 330 Pump Drive



FOR USER/OPERATOR SAFETY  
SEE DETAILS PAGE R-4

- Two standard ratios available
- Increases 540 or 1000 RPM tractor P.T.O. speed to 1825 RPM to facilitate use of a smaller, less expensive hydraulic pump
- Fits most standard SAE hydraulic pumps having SAE B or C mounting flange
- Easy installation and removal on most standard tractor P.T.O. shafts
- Torque arm bracket furnished as standard equipment
- Rugged cast aluminum housing
- All steel alloy gears
- High strength alloy shafts
- Off-the-shelf delivery
- Rated for pumps requiring up to 45 HP at 540 RPM and 65 HP at 1000 RPM



Weight 35 lbs.

With the new HUB CITY Series 330 Pump Drive, it is now possible to increase either 540 RPM or 1000 RPM tractor P.T.O. speed to 1825 RPM to permit use of a similar, less expensive hydraulic pump for your implements.

Two flange sizes are available: SAE B and C, for use with standard SAE pumps.

Also, both spline and round shafts are available in several sizes to suit your pump adaptation requirements.

DOWNLOAD AVAILABLE CAD MODELS AT: [WWW.HUBCITYINC.COM](http://WWW.HUBCITYINC.COM)  
Certified prints are available upon request

CALL: (605) 225-0360 • FAX: (605) 225-0567

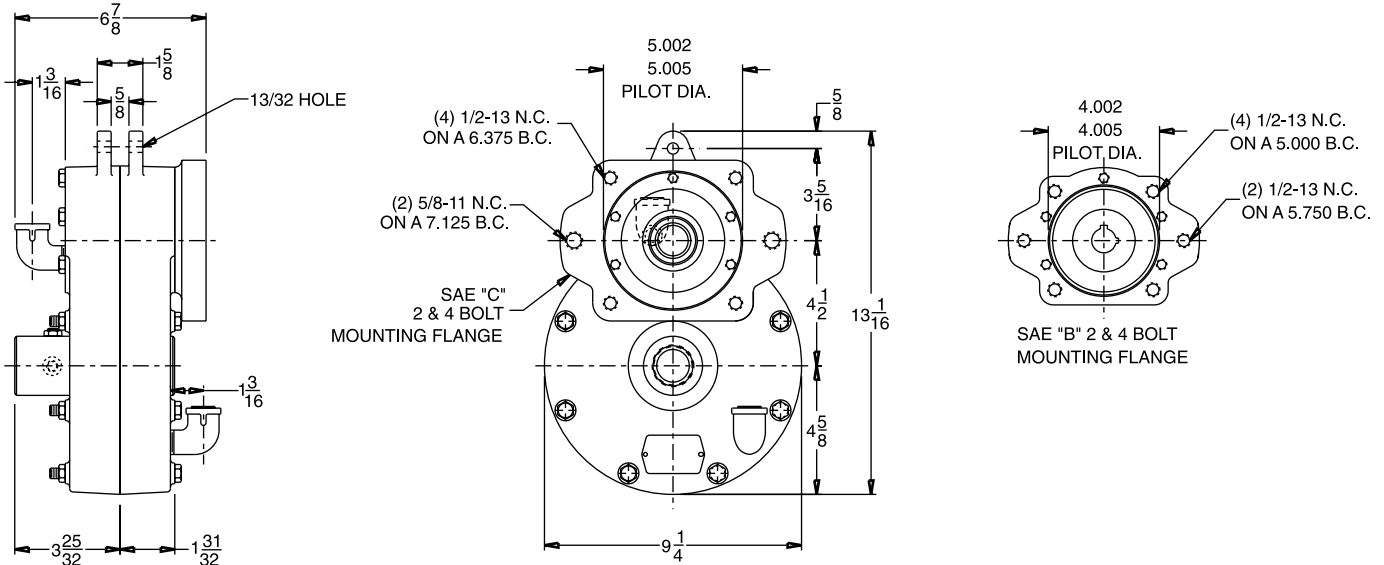


FOR USER/OPERATOR SAFETY  
SEE DETAILS PAGE R-4

# Hub City Farm Products And Accessories

## Model 330 Pump Drive

### Dimensions



### Specifications

PART NUMBER	SAE ADAPTOR	PUMP SLEEVE			OPERATING SPEED	
		NUMBER SPLINES	SPLINE/KEYWAY	SPLINE OR BORE I.D.	TRACTOR*	PUMP
0220-06110	B	Keyway	$\frac{3}{16} \times \frac{3}{32}$ KW $\frac{1}{4} \times \frac{1}{8}$ KW	.875	540 RPM	1825 RPM
0220-06104	B	Keyway	$\frac{1}{4} \times \frac{1}{8}$ KW	.875	1000 RPM	1825 RPM
0220-06109	B	13	16/32 DP 30° PA	.875	540 RPM	1825 RPM
0220-06103	B	13	16/32 DP 30° PA	.875	1000 RPM	1825 RPM
0220-06117	B	14	12/24 DP 30° PA	1.250	540 RPM	1825 RPM
0220-06112	C	Keyway	$\frac{5}{16} \times \frac{5}{32}$ KW	1.250	540 RPM	1825 RPM
0220-06106	C	Keyway	$\frac{5}{16} \times \frac{5}{32}$ KW	1.250	1000 RPM	1825 RPM
0220-06111	C	14	12/24 DP 30° PA	1.250	540 RPM	1825 RPM
0220-06105	C	14	12/24 DP 30° PA	1.250	1000 RPM	1825 RPM

\* Input designed for 1 3/8 P.T.O. shaft only

540 RPM tractor 1 3/8 - 6 spline  
1000 RPM tractor 1 3/8 - 21 spline

FOR LUBRICATION AND INSTALLATION  
INSTRUCTIONS REFER TO SECTION S.

DOWNLOAD AVAILABLE CAD MODELS AT: [WWW.HUBCITYINC.COM](http://WWW.HUBCITYINC.COM)

Certified prints are available upon request

EMAIL: [hubsales@regalbeloit.com](mailto:hubsales@regalbeloit.com) • [www.hubcityinc.com](http://www.hubcityinc.com)



# Hub City Farm Products And Accessories

## Shipping Weights And Index

PART NUMBER	WT.(LBS.)	PAGE	PART NUMBER	WT.(LBS.)	PAGE	PART NUMBER	WT.(LBS.)	PAGE
02-20-06103-330	35	R-19	03-32-00045	6.2	R-11	03-32-00392	2.8	R-13
02-20-06104-330	35	R-19	03-32-00057	1.5	R-8	03-32-00393	3	R-13
02-20-06105-330	35	R-19	03-32-00066	0.8	R-12	03-32-00394	3.5	R-13
02-20-06106-330	35	R-19	03-32-00070	3.5	R-6	03-32-00395	3.8	R-13
02-20-06109-330	35	R-19	03-32-00071	0.5	R-14	03-32-00396	4.3	R-13
02-20-06110-330	35	R-19	03-32-00072	0.5	R-14	03-32-00397	5.2	R-13
02-20-06111-330	35	R-19	03-32-00073	1.5	R-14	03-32-00398	5.8	R-13
02-20-06112-330	35	R-19	03-32-00074	1.5	R-14	03-32-00399	6.2	R-13
02-20-06117-330	35	R-19	03-32-00075	1.5	R-14	03-32-00400	2.3	R-6
02-23-02148-330	0.5	R-12	03-32-00084	1.5	R-6	03-32-00401	3.5	R-6
02-23-02149-330	0.5	R-12	03-32-00085	1.2	R-14	03-32-00403	0.5	R-8
02-23-02150-330	0.5	R-12	03-32-00086	0.5	R-7	03-32-00407	1.5	R-9
23-01531	0.5	R-12	03-32-00087	1.5	R-8	03-32-00408	1.5	R-9
23-01532	0.5	R-12	03-32-00092	2.5	R-8	03-32-00409	1.5	R-9
23-01533	0.5	R-12	03-32-00093	2	R-14	03-32-00410	1.3	R-9
23-01558	0.5	R-12	03-32-00094	6	R-6	03-32-00411	1.3	R-9
03-31-00010	7.5	R-10	03-32-00320	2	R-12	03-32-00412	1.5	R-9
03-31-00011	7.5	R-10	03-32-00336	1	R-12	03-32-00413	1.5	R-9
03-31-00012	7.5	R-10	03-32-00337	0.8	R-12	03-32-00415	1.5	R-13
03-31-00013	7.5	R-10	03-32-00338	0.8	R-12	03-32-00420	1.8	R-6
03-31-00600	6	R-15	03-32-00340	0.8	R-12	03-32-00430	1.8	R-8
03-31-00607	6	R-15	03-32-00341	0.8	R-12	03-32-00431	1.8	R-8
03-31-00615	6	R-15	03-32-00342	1.5	R-12	03-32-00432	1.8	R-8
03-31-00660	6	R-10	03-32-00344	0.8	R-12	03-32-00433	1.8	R-8
03-31-00670	6	R-10	03-32-00345	1	R-12	03-32-00607	1.5	R-9
03-31-00680	6	R-10	03-32-00346	1.8	R-12	03-32-00608	1.5	R-9
03-31-00690	6	R-10	03-32-00347	1.3	R-12	03-32-00610	1.3	R-9
03-32-00001	6	R-6	03-32-00348	1.3	R-12	03-32-00611	1.5	R-9
03-32-00002	6	R-6	03-32-00349	1.3	R-12	03-32-00612	1.5	R-9
03-32-00004	6	R-6	03-32-00350	1	R-12	03-32-01345	1.3	R-9
03-32-00005	6	R-6	03-32-00351	1.5	R-12	03-32-01350	1.3	R-9
03-32-00010	2.3	R-7	03-32-00352	0.3	R-8	03-32-01354	1.5	R-8
03-32-00011	2	R-9	03-32-00355	0.5	R-8	03-32-01373	2.5	R-7
03-32-00012	2	R-9	03-32-00356	3.3	R-13	03-32-01375	2.5	R-8
03-32-00013	2	R-7	03-32-00357	3	R-13	03-32-01476	7	R-7
03-32-00014	2	R-9	03-32-00358	1.5	R-9	03-32-01477	7	R-7
03-32-00015	2	R-7	03-32-00359	2.3	R-9	03-32-01490	7	R-7
03-32-00016	1.8	R-9	03-32-00360	1	R-11	03-32-01491	7	R-7
03-32-00017	1.8	R-9	03-32-00362	1.3	R-11	03-32-02121	2.5	R-7
03-32-00018	0.8	R-8	03-32-00363	0.3	R-8	03-32-03531	1.8	R-6
03-32-00019	2.3	R-9	03-32-00364	1.5	R-11	03-34-00028	9	R-17
03-32-00023	0.5	R-13	03-32-00365	1	R-12	03-34-00035	9	R-17
03-32-00024	0.8	R-13	03-32-00367	1.3	R-12	03-34-00042	11	R-17
03-32-00025	3	R-13	03-32-00371	2.5	R-6	03-34-00043	11	R-17
03-32-00026	5.8	R-13	03-32-00373	2.8	R-6	0335-90120	0.5	R-8
03-32-00027	0.8	R-12	03-32-00376	1.8	R-8	0336-00182	0.5	R-8
03-32-00028	0.8	R-12	03-32-00377	1.8	R-6	03-37-00076	0.8	R-10&R-15
03-32-00029	1	R-12	03-32-00378	1.8	R-6	03-37-00082	0.8	R-15
03-32-00030	2	R-12	03-32-00379	1.8	R-14	03-37-00126	0.5	R-10
03-32-00031	1.2	R-14	03-32-00380	1	R-14	03-39-80000	7.7	R-16
03-32-00032	0.3	R-14	03-32-00381	1	R-14	03-39-80001	1.2	R-16
03-32-00033	0.5	R-14	03-32-00382	1.3	R-14	03-39-80002	1.4	R-16
03-32-00034	1.5	R-14	03-32-00383	1.3	R-14	03-39-80003	1.8	R-16
03-32-00035	2	R-14	03-32-00384	1.8	R-14	03-39-80004	2	R-16
03-32-00036	2.5	R-14	03-32-00385	1.8	R-14	8-58-00-01-009	2	S-7
03-32-00039	9	R-13	03-32-00388	1.8	R-14	8-58-00-01-031	2	S-7
03-32-00039	9	R-13	03-32-00389	1.5	R-14			
03-32-00043	0.8	R-12	03-32-00390	1.3	R-13			
03-32-00044	1.6	R-13	03-32-00391	2.3	R-13			

DOWNLOAD AVAILABLE CAD MODELS AT: [WWW.HUBCITYINC.COM](http://WWW.HUBCITYINC.COM)

Certified prints are available upon request

CALL: (605) 225-0360 • FAX: (605) 225-0567

# Warnings & Cautions, Lubrication & Installation Instructions



Mechanical Warnings & Cautions - Gear Drives .....	S-3
PowerTorque® Shaft Mount Reducers .....	S-4
330 Series Pump Drive .....	S-6
Gear Lubricants .....	S-7
Mounted Bearing Warnings & Cautions .....	S-8
IndustrialLine™ and DuraLine® Mounted Bearings.....	S-10
CleanLine UltraPlus™, and CleanLine Plus™ Mounted Bearings .....	S-11
ModuLine® Spherical Roller Bearings.....	S-12
HubFlex® Coupling Installation.....	S-14
Terms and Conditions of Sale.....	T-1

# Warnings & Cautions, Lubrication & Installation Instructions



## IMPORTANT INFORMATION! PLEASE READ CAREFULLY



The following  and  information is supplied to you for your protection and to provide you with many years of trouble free and safe operation of your HUB CITY product.

Read ALL instructions prior to operating reducer. Injury to personnel or reducer failure may be caused by improper installation, maintenance or operation.



- Written authorization from HUB CITY is required to operate or use reducers in man lift or people moving devices.
- Check to make certain application does not exceed the allowable load capacities published in the current catalog.
- Buyer shall be solely responsible for determining the adequacy of the product for any and all uses to which Buyer shall apply the product. The application by Buyer shall not be subject to any implied warranty of fitness for a particular purpose.
- For safety, Buyer or User should provide protective guards over all shaft extensions and any moving apparatus mounted thereon. The User is responsible for checking all applicable safety codes in his area and providing suitable guards. Failure to do so may result in bodily injury and/or damage to equipment.
- Hot oil and reducers can cause severe burns. Use extreme care when removing lubrication plugs and vents.
- Make certain that the power supply is disconnected before attempting to service or remove any components. Lock out the power supply and tag it to prevent unexpected application of power.
- Reducers are not to be considered fail safe or self-locking devices. If these features are required, a properly sized, independent holding device should be utilized. Reducers should not be used as a brake.
- Any brakes that are used in conjunction with a reducer must be sized or positioned in such a way so as to not subject the reducer to loads beyond the catalog rating.
- Lifting supports including eyebolts are to be used for vertically lifting the gearbox only and no other associated attachments or motors.
- Use of an oil with an EP additive on units with backstops may prevent proper operation of the backstop. Injury to personnel, damage to the reducer or other equipment may result.
- Overhung loads subject shaft bearings and shafts to stress which may cause premature bearing failure and/or shaft breakage from bending fatigue, if not sized properly.



- Test run unit to verify operation. If the unit tested is a prototype, that unit must be of current production.
- If the speed reducer cannot be located in a clear and dry area with access to adequate cooling air supply, then precautions must be taken to avoid the ingestion of contaminants such as water and the reduction in cooling ability due to exterior contaminants.
- Mounting bolts should be routinely checked to ensure that the unit is firmly anchored for proper operation.

In the event of the resale of any of the goods, in whatever form, Resellers/Buyers will include the following language in a conspicuous place and in a conspicuous manner in a written agreement covering such sale:

The manufacturer makes no warranty or representations, express or implied, by operation of law or otherwise, as to the merchantability or fitness for a particular purpose of the goods sold hereunder. Buyer acknowledges that it alone has determined that the goods purchased hereunder will suitably meet the requirements of their intended use. In no event will the manufacturer be liable for consequential, incidental or other damages. Even if the repair or replacement remedy shall be deemed to have failed of its essential purpose under Section 2-719 of the Uniform Commercial Code, the manufacturer shall have no liability to Buyer for consequential damages.

Resellers/Buyers agree to also include this entire document including the warnings and cautions above in a conspicuous place and in a conspicuous manner in writing to instruct users on the safe usage of the product.

This information should be read together with all other printed information supplied by HUB CITY.

# Warnings & Cautions, Lubrication & Installation Instructions

## Gear Drive Warnings & Cautions

### IMPORTANT SELECTION INFORMATION

The system of connected rotating parts must be free from critical speed, torsional, or other type vibration, regardless of how induced. The responsibility for this system analysis lies with the purchaser of the gear unit.



### SHIELD ALL ROTATING PARTS

For safety, purchaser or user must provide protective guards over all shaft extensions and any moving apparatus mounted on the unit. The user is responsible for checking and complying with all applicable safety codes in his area and providing suitable guards. Failure to do so may result in bodily injury and/or damage to equipment.



Wear protective clothing and eye shields when installing or maintaining unit and machine.



A unit cannot be used as an integral part of a machine superstructure which would impose additional loads on the unit other than those imposed by the torque being transmitted, or by any shaft mounted power transmitting device such as sprockets, pulleys, or couplings.



Make certain that all tools and other items are clear from rotating parts before starting machine. Stand clear, and start machine slowly to be sure all components are secure and operating properly.



For safe operation and to continue the unit warranty, when installing, reinstalling, or replacing a factory installed fastener for servicing purpose, or to accommodate the mounting of guards, shields or other light load imposing devices, or for mounting the unit, it becomes the responsibility of the purchaser or user to properly determine the quality, grade of fastener, thread engagement, load carrying capacity, tightening torque, and the means of torque retention.

**COUPLINGS** — Flexible couplings to input and output shafts are recommended because they minimize bearing and gear wear caused by slight misalignment. Follow coupling manufacturer's recommendations for installation and shielding.

**SHEAVES AND SPROCKETS** — When mounting sheaves or sprockets, the center of the load should be located as close to the reducer as possible. Excessive overhung loading could result in early failures of bearing or shaft. Refer to the general catalog or contact Hub City for overhung load ratings. Follow manufacturer's recommendations for installation and shielding.



Do not operate the unit without making sure it contains the correct amount of oil. Do not overfill or underfill with oil, or injury to personnel, unit, or other equipment may result.



Oil should be changed with greater frequency if unit is used in a severe environment such as dusty or humid or high or low temperatures.



Do not mix nonsynthetic and synthetic oil in the unit.



If unit is used in the food or drug industry (including animal food) consult the petroleum supplier or HUB CITY for recommendations of lubricants which meet the specifications of FDA, USDA and/or other authoritative bodies having jurisdiction. Standard lubricants are not suitable for these applications or these industries.



Inspect shafts and components for paint, burrs, or other imperfections before installing components. Do not use excessive force or pounding to install components onto unit shafts, as this may cause damage to shafts, bearings, or gears.

**PREVENTATIVE MAINTENANCE** — Keep shafts and vent plug clean to prevent foreign particles from entering seals or gear case. Inspect periodically for oil leaks.



**STORAGE OF HUB CITY REDUCERS:** A gearbox does not have a definable shelf life. The main points of deterioration are rusting of non-painted surfaces and drying out of the seal lips. Proper storage of drives in a cool dry place in a carton away from exposure to ultraviolet light should permit protection for approximately one year.

If the unit is to be inoperative for a longer period of time, completely fill the gear case with regular lubricant containing rust and oxidation inhibitors, tag the gear case and any connected motor to prevent operation until the proper oil level is obtained. Do not operate a completely filled gear case. Coat external shafts with a rust preventative oil or grease. At least every three months, rotate the input shaft until the output rotates at least one revolution to ensure all internal parts are coated and that the shaft seals are free and the seal journals are coated with oil.

The most sensitive part of the gearbox is the radial lip seals. Even under ideal storage conditions, the seal lips may deteriorate or take a set, losing their sealing effect and reducing service life. Therefore, it may be necessary to replace the seals prior to putting the units in service depending upon the length and conditions of storage.



# Warnings & Cautions, Lubrication & Installation Instructions

## PowerTorque® Shaft Mount Reducers

### LUBRICATION



ALL POWERTORQUE® SHAFT MOUNT REDUCERS ARE SHIPPED DRY AND OIL MUST BE ADDED PRIOR TO OPERATION.

**BEFORE INSTALLATION:** All Hub City PowerTorque® Shaft Mount Reducers are splash lubricated. Review the mounting positions and lubrication levels identified in Figure SM1.

Below 15 RPM output speed, the oil level must be adjusted to reach the highest oil level plug. If the reducer mounting position is to vary from the positions shown in Figure SM1, either more or less oil may be required. Consult HUB CITY for recommendations.

**BEFORE OPERATING** PowerTorque® Shaft Mount Reducers: After final installation, install the magnetic drain plug in the drain location specified in Figure SM1. Remove the fill/vent plug and level plug. Fill the reducer with recommended lubricant (see APPROXIMATE OIL CAPACITY CHART in these instructions and GEAR LUBRICANT page of these instructions) until oil starts coming out the oil level plug hole specified in Figure SM1. Clean threads on removed plugs and plug holes with degreaser, coat plugs with thread sealant and install plugs securely in gear case. Install the vent plug in the location specified in Figure SM1 for the appropriate mounting position. Remove the tape used to cover the vent plug during shipment and discard.



The oil level is correct when the surface of the oil is level with the lowest point of the level plug shown in Figure SM1.

### VARIATIONS FROM NORMAL CONDITIONS -

**PowerTorque® Shaft Mount Reducers:** Input speeds that exceed the maximum speeds recommended for a given ratio, which are listed in the general catalog specifications, may require an adjustment in the oil level. Consult HUB CITY for special lubricant recommendations when operating at higher speeds.

Hub City PowerTorque® Shaft Mount Reducers may be mounted in any of the positions shown in Figure SM1. These positions may vary up to 5° for positions "A" or "C" and 20° for positions "B" or "D" in either direction and still have adequate lubrication. If these angles of inclination are exceeded consult HUB CITY for special lubrication instructions. Because mounting positions can vary greatly along with the location and availability of plugs in certain

applications, it may be necessary to install additional plugs as needed or level gages in place of level plugs.



**CHANGING LUBRICANT** — After the first 100 hours of operation, drain out initial oil, flush out the PowerTorque® gear case with an approved nonflammable, non-toxic solvent, such as Lubriplate Syn Flush, Lubriplate Pure Flush, Whitmore's Flushing Oil (#06802030) or Medallion™ Flushing Oil Kosher (#06812010), and refill. Thereafter, oil should be changed at least every 5,000 operating hours (10,000 for synthetic oil lubricant) or every 12 months (24 months for synthetic oil lubricant), which ever occurs first.

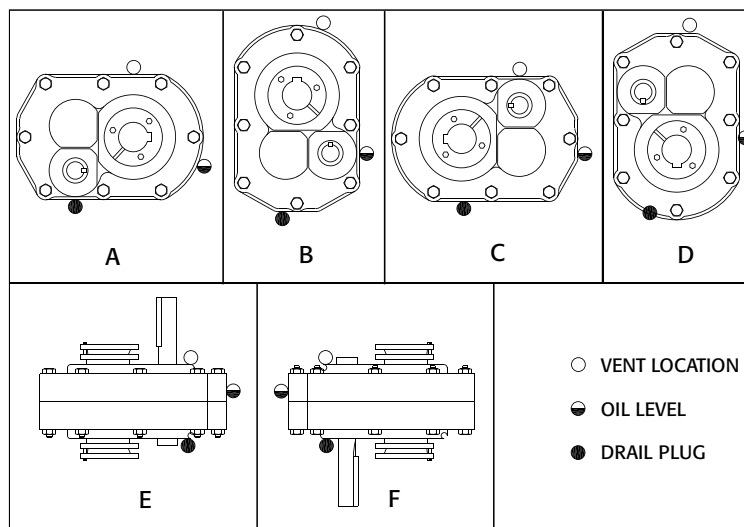


Do not use GL-90, 75W-90 or other extreme pressure (EP) lubricants containing friction modifiers such as graphite or molybdenum disulfide in gear drives containing internal backstops. Lubricants with EP additives may produce coatings which adversely affect operation of the backstop. Injury to personnel, damage to the reducer or other equipment may result.

### POWER TORQUE SHAFT MOUNT REDUCERS Approximate Oil Capacities (pints)

MODEL	MOUNTING POSITION					
	HORIZONTAL SHAFTS				VERTICAL SHAFTS	
	A	B	C	D	E	F
PT21107	1.0	1.0	1.3	1.5	2.0	2.5
PT22115	1.8	2.0	1.3	2.0	3.3	3.5
PT23203	3.0	3.0	1.5	4.5	5.3	6.0
PT24207	3.8	4.5	2.5	6.0	6.8	8.5
PT25215	6.5	5.0	6.5	5.0	14.0	17.3
PT26307	8.5	10.0	8.5	10.0	17.3	18.3
PT27315	13.0	16.0	14.5	18.5	30.8	32.8
PT28407	17.0	22.0	21.0	17.0	38.3	38.3
PT29415	26.0	26.0	25.0	28.5	50.8	50.8
PT210507	46.0	28.0	31.5	37.5	82.0	82.0

MOUNTING POSITIONS FIGURE - SM1



# Warnings & Cautions, Lubrication & Installation Instructions

## PowerTorque® Shaft Mount Reducers

### INSTALLATION

The lifting eye included on this drive is to be used to vertically lift the drive only and no other associated attachments or motors.



For high momentum loads, if coasting to a stop is undesirable, a braking mechanism should be applied to the reducer output or driven mechanism.



#### 1. INSTALL REDUCER ON DRIVEN SHAFT

The driven shaft must extend through the full length of the reducer sleeve and the shaft should be independently supported with pillow block bearings located as close to the reducer as possible. The driven shaft must be installed in the sleeve with a bushing at each end. Refer to installation instructions provided with tapered bushings.

#### 2. INSTALL TORQUE ARM

The Torque Arm must be installed on shaft mounted reducers to prevent the unit from rotating. Install and position the Torque Arm at a 90° angle to a line drawn through the center of the low speed sleeve and the bolt that attaches the Torque Arm to the Torque Arm brackets on the unit. (Refer to Figure SM2). The Torque Arm should be positioned to be in tension, NOT compression, based on output rotation of the gear reducer. A rigid Torque Arm can cause bearings to "load up" and cause premature bearing failure. To prevent this, provide a slight amount of "float" at the torque arm pivot points.

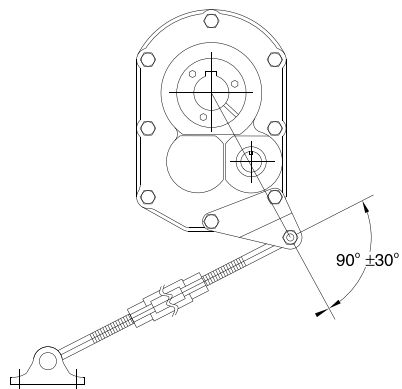


FIGURE SM2

#### 3. INSTALL SHEAVES AND SPROCKETS

When mounting sheaves or sprockets, they should be located as close to the Gear Drive as possible. Excessive overhung load could result in premature failures of bearings or shaft. Refer to the general catalog or contact your local distributor for overhung load ratings.

#### 4. INSTALL MOTOR AND V-BELT DRIVE

Install the motor and V-belt drive with the V-belt at a right angle approximately to the centerline between the driven and input shaft. This will allow using the torque arm to tighten the V-belt. (See Figure SM3.)

If using a motor mount that is installed directly to the reducer, refer to the Installation Instructions provided with the motor mount.

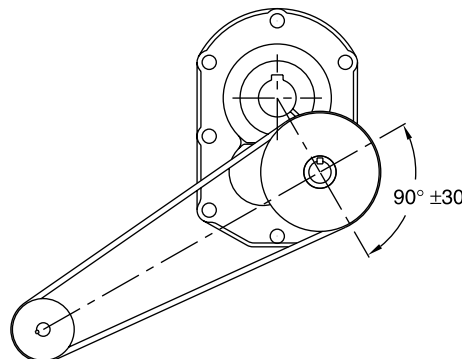


FIGURE SM3



#### SHIELD ALL ROTATING PARTS

For safety, purchaser or user should provide protective shields over the V-belt drive, all shaft extensions and any moving apparatus mounted on the unit. The user is responsible for checking all applicable safety codes in his area and providing suitable guards. Failure to do so may result in bodily injury and/or damage to equipment.

#### 5. FILL REDUCER WITH LUBRICANT

Refer to the PowerTorque® Shaft Mount Reducers Lubrication section for recommended lubricants and oil levels for the various mounting positions.



**FLANGE MOUNTED** PowerTorque® Shaft Mount Reducers: Units with the flange mount accessory are to be mounted and supported by the mounting flange only. The mounting pads on the housing are not to be used in conjunction with the mounting flange to support the unit.

#### SHAFT MOUNTED PowerTorque® Shaft Mount Reducers WITH MOUNTING FLANGE:

There must be concentricity between the driven shaft and the machine register that accepts the mounting flange pilot to prevent misalignment between the hollow shaft of the drive and the driven shaft.

#### SHAFT OUTPUT PowerTorque® Shaft Mount Reducers WITH MOUNTING FLANGE:

If coupling to shaft – flexible couplings are recommended to minimize excessive bearing and shaft loading caused by misalignment. Follow coupling manufacturer's installation directions.

# Warnings & Cautions, Lubrication & Installation Instructions

## 330 Pump Drive

### MODEL 330 PUMP DRIVE LUBRICATION

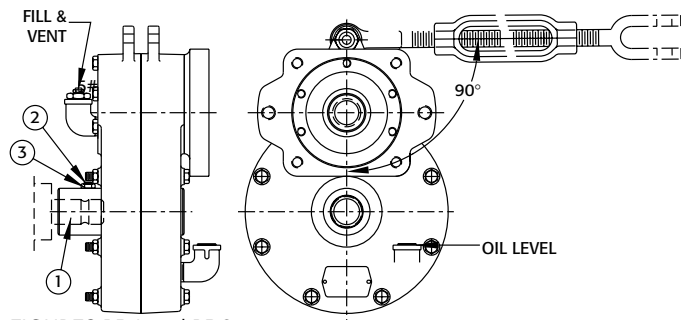


#### ALL MODEL 330 PUMP DRIVES ARE SHIPPED DRY.

Oil must be added prior to operation. Hub City 330 Pump Drive units are splash lubricated and require 1.25 pints to fill to the recommended level. Do not overfill – this causes excessive heat build-up. See Figures PD1 & PD2 for fill and level check points.

#### BEFORE OPERATING 330 Pump Drive

— Remove uppermost plug and fill Reducer with a recommended lubricant (see GEAR LUBRICANT page of these instructions). Clean threads on removed plugs and plug holes with degreaser; coat with thread sealant and install securely into Reducer case. If fill, level and drain plugs are not located conveniently for your mounting position, additional plugs may be installed. Consult HUB CITY for recommendations.



FIGURES PD1 and PD2



#### VARIATIONS FROM NORMAL CONDITIONS

— Model 330 Pump Drive: When operating High Speed Shaft at speeds above 1800 RPM or below 400 RPM, special adjustment in oil level may be required. Consult HUB CITY for recommendations. If either shaft is in a vertical position or inclined more than 15°, zerk fittings may be required to lubricate upper bearings. It may also be necessary to make some oil level or plug modifications. Consult HUB CITY for recommendations.



**CHANGING LUBRICANT** — After the first 100 hours of operation, drain out initial oil, flush out the 330 pump drive gear case with an approved nonflammable, non-toxic solvent, such as Lubriplate Syn Flush, Lubriplate Pure Flush, Whitmore's Flushing Oil (#06802030) or Medallion™ Flushing Oil Kosher (#06812010), and refill. Thereafter, oil should be changed at least every 5,000 operating hours (10,000 for synthetic oil lubricant) or every 12 months (24 months for synthetic oil lubricant), whichever occurs first.

### MODEL 330 PUMP DRIVE INSTALLATION

#### IMPORTANT: Check tractor PTO shaft for nicks and burrs.



Slide the pump drive onto the PTO shaft (1, Figure PD1). Center the setscrews over the groove in the PTO shaft. With a torque wrench tighten setscrews (2, Figure PD1) to 300 in-lb (25 ft-lb). Torque jam nuts (3, Figure PD1) to 120 in-lb torque. Pump drive should be mounted with SAE pump flange directly above the PTO shaft.

#### TORQUE ARM:

It is recommended that torque arm be fabricated from flat cold-rolled steel (800 lbs. capacity, compression or tension). It must be a minimum of 3/4" wide and 1/2" thick. Torque arm must be able to swivel in both torque arm housing bracket and pivot bracket mounted on tractor. Connection of the torque arm to the pivot bracket should be made with a 3/8" heat-treated bolt with double jam nuts. Connection of the torque arm to the pump drive housing bracket should be made in the same manner. Torque arm should be mounted at 90° (or as close to 90° as possible) to a line between the tractor PTO shaft and gearbox torque arm housing bracket. (See Figure PD2.)

**NOTE: Flexibility in torque arm connection is necessary to prevent undue load on pump drive and shaft. Stress is placed on housing if torque arm is clamped too tightly.**

# Warnings & Cautions, Lubrication & Installation Instructions Hub City Gear Lubricant

RECOMMENDED LUBRICANTS		
		
HUB CITY UNIT	GL-90 8580001009	SYNTHETIC 75W-90 8580001031
POWERTORQUE®	X	X
330 SERIES PTO Pump Drive	X	X

## GEAR LUBRICANT

### GL-90

Part No. 8580001009(Qt.)

AGMA No: 5EP

ISO Viscosity Grade: 220

A non-leaded, heavy-duty industrial gear lubricant designed for spur, helical, and bevel enclosed gear sets operating under severe service conditions. Ideal for both circulation and splash lubrication systems, GL-90 offers:

- Superior load-carrying capacity.
- Outstanding anti-wear properties.
- Excellent rust and corrosion protection.
- Good oxidation stability.
- Minimal friction and bulk oil temperature rise.
- Full protection against foaming.

For ambient temperatures of 15° to 125° F (-10° to 52° C) and operating temperatures To 185° F (85° C).

For ambient temperatures below or above these temperatures, or operating temperatures above this temperature, consult the factory.

## GEAR LUBRICANT

### SYNTHETIC 75W-90

Part No. 8580001031(Qt.)

AGMA No: 4/5EP

ISO Viscosity Grade: 150/220

Formulated from synthesized hydrocarbon base oils and a sulfur phosphorus gear lubricant additive for severe operating conditions. Recommended for bevel, helical, and spur gear drives. Especially those subject to low startup temperature and/or high operating temperature. It provides the following outstanding advantages and benefits.

- Excellent wear protection and load carrying ability.
- Outstanding oxidation stability at elevated temperatures.
- Wide temperature range.
- Extend lubricant life resulting in lower maintenance and lubrication costs.
- Recommended for year-round lubrication.
- Not recommended for worm gear drives or gear drives with backstops.

The outstanding oxidation and thermal stability of this product results in a considerable extension of lubrication and oil change intervals.

For ambient temperatures of -25° to 125° F (-32° to 52° C) and operating temperatures To 225° F (107° C).

For ambient temperatures below or above these temperatures, or operating temperatures above this temperature, consult the factory.



Hub City synthetic 75W-90 gear lubricant can be operated at temperatures above 225° F however, the gear drive manufacturer should always be contacted prior to operation at high temperatures. As damage may occur to seals or other gear drive components. Although Hub City synthetic 75W-90 lubricant is fully compatible with conventional lubricants, maximum benefits will be obtained when installed in a system which has been thoroughly cleaned and flushed.

# Warnings & Cautions, Lubrication & Installation Instructions



## IMPORTANT INFORMATION! PLEASE READ CAREFULLY



The following  and  information is supplied to you for your protection and to provide you with many years of trouble free and safe operation of your HUB CITY mounted bearing product.

Read ALL instructions prior to operating reducer. Injury to personnel or reducer failure may be caused by improper installation, maintenance or operation.



- Written authorization from HUB CITY is required to operate or use bearing units in man lift or people moving devices.
- Check to make certain application does not exceed the allowable load capacities published in the current catalog.
- Buyer shall be solely responsible for determining the adequacy of the product for any and all uses to which Buyer shall apply the product. The application by Buyer shall not be subject to any implied warranty of fitness for a particular purpose.
- For safety, Buyer or User should provide protective guards over all shaft extensions and any moving apparatus mounted thereon. The User is responsible for checking all applicable safety codes in his area and providing suitable guards. Failure to do so may result in bodily injury and/or damage to equipment.
- Hot machinery and bearings can cause severe burns. Use extreme care when servicing or lubricating.
- Make certain that the power supply is disconnected before attempting to service or remove any components. Lock out the power supply and tag it to prevent unexpected application of power.
- Lifting supports including eyebolts are to be used for vertically lifting the bearing unit only and no other associated attachments or motors.
- Overhung loads subject shaft bearings and shafts to stress which may cause premature bearing failure and/or shaft breakage from bending fatigue, if not sized properly.



- Test run bearing unit to verify operation. If the unit tested is a prototype, that unit must be of current production.
- If the bearing unit cannot be located in a clear and dry area with access to adequate cooling air supply, then precautions must be taken to avoid the ingestion of contaminants such as water and the reduction in cooling ability due to exterior contaminants.
- Mounting bolts should be routinely checked to ensure that the bearing unit is firmly anchored for proper operation.

In the event of the resale of any of the goods, in whatever form, Resellers/Buyers will include the following language in a conspicuous place and in a conspicuous manner in a written agreement covering such sale:

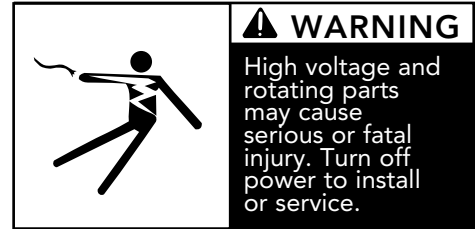
The manufacturer makes no warranty or representations, express or implied, by operation of law or otherwise, as to the merchantability or fitness for a particular purpose of the goods sold hereunder. Buyer acknowledges that it alone has determined that the goods purchased hereunder will suitably meet the requirements of their intended use. In no event will the manufacturer be liable for consequential, incidental or other damages. Even if the repair or replacement remedy shall be deemed to have failed of its essential purpose under Section 2-719 of the Uniform Commercial Code, the manufacturer shall have no liability to Buyer for consequential damages.

Resellers/Buyers agree to also include this entire document including the warnings and cautions above in a conspicuous place and in a conspicuous manner in writing to instruct users on the safe usage of the product.

This information should be read together with all other printed information supplied by HUB CITY.

# Warnings & Cautions, Lubrication & Installation Instructions

## Mounted Bearings Warnings & Cautions



### IMPORTANT SELECTION INFORMATION

The system of connected rotating parts must be free from critical speed, torsional, or other type vibration, regardless of how induced. The responsibility for this system analysis lies with the purchaser of the bearing unit.



### SHIELD ALL ROTATING PARTS

For safety, purchaser or user must provide protective guards over all shaft extensions and any moving apparatus mounted on the unit. The user is responsible for checking and complying with all applicable safety codes in his area and providing suitable guards. Failure to do so may result in bodily injury and/or damage to equipment.



Wear protective clothing and eye shields when installing or maintaining bearing unit and machine.



A bearing unit cannot be used as an integral part of a machine superstructure which would impose additional loads on the unit other than those imposed by the torque being transmitted, or by any shaft mounted power transmitting device such as sprockets, pulleys, or couplings.



Make certain that all tools and other items are clear from rotating parts before starting machine. Stand clear, and start machine slowly to be sure all components are secure and operating properly.



For safe operation and to continue the bearing unit warranty, when installing or reinstalling a fastener for servicing purpose, or to accommodate the mounting of guards, shields or other light load imposing devices, or for mounting the bearing unit, it becomes the responsibility of the purchaser or user to properly determine the quality, grade of fastener, thread engagement, load carrying capacity, tightening torque, and the means of torque retention.

**COUPLINGS** — Flexible couplings are recommended because they minimize bearing wear caused by excessive misalignment. Follow coupling manufacturer's recommendations for installation and shielding.

**SHEAVES AND SPROCKETS** — When mounting sheaves or sprockets, the center of the load should be located as close to the bearing unit as possible. Excessive overhung loading could result in early failures of bearing or shaft. Refer to the general catalog or contact your local distributor for bearing load ratings. Follow manufacturer's recommendations for installation and shielding.



All Hub City bearing units are prelubricated with grease at the factory. Do not overgrease or undergrease, or injury to personnel, unit, or other equipment may result.



Grease should be added with greater frequency if unit is used in a severe environment such as dusty or humid or high or low temperatures.



Do not mix different grease types in the bearing unit.



If unit is used in the food or drug industry (including animal food) consult the petroleum supplier or HUB CITY for recommendations of lubricants which meet the specifications of FDA, USDA and/or other authoritative bodies having jurisdiction. Standard lubricants are not suitable for these applications or these industries.



Inspect shafts and components for paint, burrs, or other imperfections before installing components. Do not use excessive force or pounding to install components onto shafts, as this may cause damage to shafts or bearings.



Mounting bolts, coupling fasteners, and other power transmitting devices should be routinely checked to ensure that all parts of the unit are firmly anchored to provide proper operation (loose fasteners can cause alignment problems and excessive wear). Check end play in shafts. Noticeable movement might indicate service or parts replacement is necessary.

**PREVENTATIVE MAINTENANCE** — Keep shafts and zerk clean to prevent foreign particles from entering bearing unit. Inspect periodically for excessive grease leakage.



**STORAGE OF HUB CITY BEARING UNITS:** A bearing unit does not have a definable shelf life. The main points of deterioration are rusting of non-painted surfaces and drying out of grease and the seal lips. Proper storage of bearing units in a cool dry place in a carton away from exposure to ultraviolet light should permit protection for approximately one year. For extended shutdown under these conditions, extra grease should be added to the bearing and distributed by rotating the bearing. Coat external shafts with a rust preventative oil or grease. After extended storage periods, a little fresh grease should be added prior to running.



# Warnings & Cautions, Lubrication & Installation Instructions

## Mounted Bearings Industrialine™ & Duraline®

### INDUSTRIALINE™ and DURALINE® MOUNTED BEARINGS LUBRICATION

**General Note** – These Lubrication instructions contain information for the Industrialine™ and DuraLine® Mounted Bearings. For Lubrication Instructions specific to the CleanLine UltraPlus™, CleanLine Plus™, & CleanLine™ Mounted Bearings see the CleanLine™ Products page, S-11.



The proper lubrication of ball bearing units is critical in order to attain maximum bearing life expectancy. All Hub City bearing units are lubricated at the factory. Non-relube type bearings have no grease fitting and should not require additional lubricant. Relube type bearings are equipped with a lubrication fitting and should be periodically lubricated when used in wet or dirty applications. The amount and type of lubricant used will affect bearing life. Lack of lubricant can lead to premature surface fatigue failures of balls and races. Over lubrication can damage seals and result in premature failure from contamination due to the inability of damaged seals to keep foreign material out of the bearing. Under normal operating conditions, there is no need to relubricate bearings at all.

The following table is a general guide for relubrication. Experience will determine the best interval for each specific application.

OPERATING CONDITIONS	BEARING TEMPERATURES	GREASE INTERVAL
Clean	32° F to 120° F	6-12 Months
	120° F to 150° F	1-3 Months
	150° F to 200° F	1-4 Weeks
Dirty	32° F to 150° F	1-4 Weeks
	150° F to 200° F	Daily – 1 week
Moisture	32° F to 200° F	Daily – 1 week

#### Some Recommended Greases:

Texaco Multifak #2, Shell Alvania #2, Sun Prestige #41, Humble L100K #2, Sinclair Litholine Multi-Purpose, Mobil Mobilux #2, Conoco Super-Sta, Amoco Lithium MP, Chevron Dura-Lith EP #2 or equivalent NLGI #2, Multi-Purpose Lithium Grease.



When lubricating bearings add grease slowly. When the first sign of grease appears at the seals, the bearing will contain the correct amount of lubricant.

Bearings should not run in steady operation over 200° F and should not exceed 225° F for intermittent operation.

For unusual lubrication requirements or severe duty applications, contact Hub City for recommendations.

### INDUSTRIALINE™ and DURALINE® MOUNTED BEARINGS MOUNTING INSTRUCTIONS



Proper mounting of ball bearing units is critical to unit performance. Failure to follow accepted mounting practice may result in poor performance and short bearing life. Good engineering and design practice does not recommend the application of more than two bearings to support any shaft. Where more than two bearings are used to support the same shaft, it is possible to induce heavy bearing overloads. In these cases extreme care must be taken to line up bearings in both the vertical and horizontal planes. When the recommended two bearing support designs are used, alignment is not as critical. Hub City self aligning mounted bearing units will compensate for minor differences in mounting structure and gradual changes due to the settling of foundations. Misalignment up to 1.5° is allowable.



For the best results use turned and ground shafting, free of rough spots and burrs. If old shafting is used, mount bearing unit on a smooth unworn section, if possible. For ultimate life, snug fit on shaft should be used. Refer to tables below for Bearing Bore Tolerances and recommended Shaft Tolerances.

#### Shaft Tolerances

SHAFT DIA.	SHAFT TOLERANCE
1/2" - 1-15/16"	Plus .0000" to minus .0005"
2" - 3"	Plus .0000" to minus .0010"
3-3/16" - Up	Plus .0000" to minus .0015"

#### Bearing Bore Tolerances

BORE DIA.	BORE TOLERANCE
1/2" - 5/8"	Plus .0008" to minus .0000"
3/4" - 1-15/16"	Plus .0009" to minus .0000"
2" - 3"	Plus .0010" to minus .0000"
3-3/16" - Up	Plus .0012" to minus .0000"



# Warnings & Cautions, Lubrication & Installation Instructions Mounted Bearings Industrialine™ & Duraline®

Prior to mounting on shaft, clean mounting face, shaft and bearing bore. Coat shaft with a small amount of oil. Clean support surface and make sure it is flat.

## INDUSTRIALINE™ and DURALINE® MOUNTING PROCEDURES:

1. Slide bearing unit onto the shaft. For ECCENTRIC LOCK BEARINGS, if projecting side of the bearing is to be mounted toward the machine, put the locking collar on the shaft first. The eccentric locking collar should be opposing any thrust load.
2. Do not hammer the ends of the inner race. If it is necessary to apply force in mounting, use a soft metal bar or pipe against the inner race only. Tap the bearing unit into place.
3. It may be necessary to use shims to avoid shaft deflection and excessive misalignment. Bolt bearing housing securely to the support, by tightening capscrews alternately until tight.
- 4a. **SETSCREW LOCKING BEARINGS:** Align the setscrews on the two bearing units, and tighten setscrews alternately until tight.
- 4b. **ECCENTRIC LOCKING COLLAR BEARINGS:** Fit the eccentric locking collar on the inner race. Turn the collar in the direction of shaft rotation. Tighten the locking collar securely, using a spanner wrench, setscrew wrench, punch, or drift. Tighten the setscrew against the shaft. Refer to the

### SetScrew Tightening Torque

These torques are generally obtained when the set-screw stops turning and the hex socket wrench starts to spring.

SIZE	TORQUE IN-LBS.
10-32 NF	36
1/4-28 NF	87
5/16-24 NF	165
3/8-24 NF	290

setscrew tightening torque chart below.

## CLEANLINE ULTRAPLUS™, CLEANLINE PLUS™ BEARINGS LUBRICATION



The proper lubrication of ball bearing units is critical in order to attain maximum bearing life expectancy. All Hub City CleanLine UltraPlus™, CleanLine Plus™, & CleanLine™ bearing units are lubricated at the factory with a grease that meets USDA H-1 standards for incidental contact with food.

Non-relube type bearings have no grease fitting and should not require additional lubricant. Relube type bearings are equipped with a lubrication fitting and should be periodically lubricated when used in wet or dirty applications. When relubricating CleanLine™ bearings, use only a grease which is approved for incidental contact with food. The amount and type of lubricant used will affect bearing life. Lack of lubricant can lead to premature surface fatigue failures of balls and races. Over lubrication can damage seals and result in premature failure from contamination due to the inability of damaged seals to keep foreign material out of the bearing.

The following table is a general guide for relubrication. Experience will determine the best interval for each specific application.

Recommended Grease or equivalent: Mobil Mobilgrease FM102, Chevron FM-2, Lubriplate FGL-2, SFL-2, Clearplex-2.



When lubricating bearings add grease slowly. When the first sign of grease appears at the seals, the bearing will contain the correct amount of lubricant.

Bearings should not run in steady operation over 200° F and should not exceed 225° F for intermittent operation.

For unusual lubrication requirements or severe duty applications, contact Hub City for recommendations.

OPERATING CONDITIONS	BEARING TEMPERATURES	GREASE INTERVAL
Clean	32° F to 120° F	6-12 Months
	120° F to 150° F	1-3 Months
	150° F to 200° F	1-4 Weeks
Dirty	32° F to 150° F	1-4 Weeks
	150° F to 200° F	Daily – 1 week
Moisture	32° F to 200° F	Daily – 1 week

## CLEANLINE ULTRAPLUS™, CLEANLINE PLUS™ BEARINGS MOUNTING INSTRUCTIONS

Mounting Instructions for the CleanLine UltraPlus™, CleanLine Plus™, & CleanLine™ Mounted Bearings are the same as for the IndustrialLine™ and DuraLine® Mounted Bearings. See IndustrialLine™ and DuraLine® Mounted Bearings Mounting Instructions, pages S-10.

# Warnings & Cautions, Lubrication & Installation Instructions

## SPHERICAL ROLLER BEARING INSTALLATION



The following steps must be completed for proper installation of Hub City Spherical Roller Bearings:

1. Check the shaft to confirm it is clean, straight, undamaged and is within the recommended diameter tolerance shown in Table 1.
2. If using an open-end cover, slide open-end cover/seal combination into position on shaft.
3. Apply a thin oil film to shaft and bearing bore.
4. Slide bearing into position on shaft.
5. Tighten the bearing housing mounting bolts.
6. Tighten the locking collar set screws to the torque values shown in Table 2.
7. If using covers:
  - a. Clean and dry mating surface of cover and slightly roughen the mating surface of the cover with sandpaper or emery cloth.
  - b. Place a 1/8" - 1/4" bead of polyurethane adhesive sealant on mating surface of the cover.
  - c. Align the mounting holes of cover with the corresponding threaded holes in retaining nut and install mounting screws while making sure that the grease fitting on the cover remains accessible
  - d. Torque cover mounting screws to 53 in. lbs.
  - e. For maximum protection against contamination it is recommended that the covers be filled with grease. This can be done via zerk fitting or hand packed before installation.

Table 1

### Recommended Shaft Tolerances

SHAFT SIZE	TOLERANCE
1-7/16" 1-1/2"	+0.000/-0.0015
1-11/16" 1-3/4"	+0.000/-0.0015
1-15/16" 2"	+0.000/-0.0015
2-3/16" 2-1/4"	+0.000/-0.0015
2-7/16" 2-1/2"	+0.000/-0.0015
2-11/16" 2-3/4" 2-15/16" 3"	+0.000/-0.002
3-7/16" 3-1/2"	+0.000/-0.003
3-15/16" 4"	+0.000/-0.003
4-7/16"	+0.000/-0.005
4-15/16"	+0.000/-0.005

Table 2

### Recommended Set Screw Torque Values

SHAFT SIZE	SET SCREW SIZE	TORQUE (IN-LBS)
1-7/16" 1-1/2"	3/8"-24UNF	290
1-11/16" 1-3/4"	3/8"-24UNF	290
1-15/16" 2"	3/8"-24UNF	290
2-3/16" 2-1/4"	3/8"-24UNF	290
2-7/16" 2-1/2"	1/2"-20UNF	620
2-11/16" 2-3/4" 2-15/16" 3"	1/2"-20UNF	620
3-7/16" 3-1/2"	1/2"-20UNF	1325
3-15/16" 4"	5/8"-18UNF	1325
4-7/16"	5/8"-18UNF	1325
4-15/16"	5/8"-18UNF	1325

## SPHERICAL ROLLER BEARING LUBRICATION



The proper lubrication of bearing units is critical in order to attain maximum bearing life expectancy. HUB CITY SPHERICAL ROLLER BEARINGS are factory filled with Ulti-Plex® Synthetic EP Grease, which is a multipurpose, high performance grease specially formulated for extreme pressure bearing applications operating under the most extreme high and low temperature conditions and for those difficult applications requiring extended lubrication intervals. This grease offers excellent thermal stability through temperatures ranging from -50° F to 400° F (-50° to 230° C). When dealing with temperatures above 300° F, consult the factory for optional grease recommendations. All Hub City bearing units are lubricated at the factory and should not require additional lubricant upon installation. Re-lubrication intervals noted in Table 3 are to be used as a general guide and depend on the type of application, speed, operating temperature and other environmental conditions. The amount and type of lubricant used will affect bearing life. Improper lubrication can lead to premature bearing failures.



For unusual lubrication requirements or severe duty applications, contact Hub City for recommendations.

# Warnings & Cautions, Lubrication & Installation Instructions

## SPHERICAL ROLLER BEARING INSTALLATION Cont.

Table 3

(Please note: The average manual grease gun will produce approximately one (1) ounce of grease per 33 strokes. Please check with the manufacturer of your grease delivery system for specific information.)

### Recommended Re-Lubrication Intervals

SHAFT SIZE	INITIAL WT. (.OZ)	RELUBE WT. (.OZ)	RE-LUBRICATION INTERVAL (HOURS OF SERVICE BASED ON RPM AND AMBIENT TEMPERATURE (F))											
			100 RPM		250 RPM		500 RPM		1000 RPM		2000 RPM		3000 RPM	
			<160°	>160°	<160°	>160°	<160°	>160°	<160°	>160°	<160°	>160°	<160°	>160°
1-7/16" 1-1/2"	0.6	0.2	1600	800	1000	500	640	320	240	240	120	60	60	30
1-11/16" 1-3/4"	0.7	0.2	1600	800	1000	500	640	320	240	240	120	60	60	30
1-15/16" 2"	0.8	0.2	1600	1600	1000	500	640	320	240	240	120	60	60	30
2-3/16" 2-1/4"	1.0	0.3	1200	1200	800	400	440	220	160	160	100	50	60	30
2-7/16" 2-1/2"	1.4	0.4	1120	1120	720	360	360	180	120	120	80	40	40	20
2-11/16" 2-3/4" 2-15/16" 3"	2.7	0.7	1040	1040	680	340	340	170	100	100	60	30		
3-7/16" 3-1/2"	3.7	0.9	960	960	600	300	300	150	80	80	40	20		
3-15/16" 4"	6.5	1.6	840	840	520	260	240	120	60	60	20	16		
4-7/16"	7.4	1.9	680	680	440	220	200	100	60	60	20	16		
4-15/16"	10.6	2.7	560	560	360	180	160	80						

### PROCEDURE TO CONVERT SPHERICAL ROLLER BEARING FROM FIXED TO FLOATING (NON-EXPANSION TO EXPANSION)

#### FLANGE BLOCK HOUSING

1. Make a reference mark on the housing and retaining nut.
2. Loosen set screws in housing that lock the retaining nut in place.
3. Loosen retaining nut by tapping with a hammer and punch, rotating retaining nut counter clockwise one complete revolution.
4. Tighten set screws in housing to lock retaining nut in place.

Please note: When converting a Spherical Roller bearing from fixed to floating, please ensure that the bearing is correctly oriented. A bearing that has been converted to expansion can only float in the direction of the loosened retaining nut.

#### PILLOW BLOCK HOUSING

1. Determine amount and direction of expansion needed. If uni-directional expansion is required, follow above directions on the nut that is on the side where expansion is desired
2. If bi-directional expansion is required follow the directions above on both nuts but the rotation should be one-half a revolution on each nut instead of one complete revolution.

### PROCEDURE TO CONVERT SPHERICAL ROLLER BEARING FROM FLOATING TO FIXED (EXPANSION TO NON-EXPANSION)

#### FLANGE BLOCK HOUSING

1. Loosen set screws in housing that lock the retaining nut in place.
2. Tighten retaining nut by tapping with a hammer and punch, rotating retaining nut clockwise until tight. It is not possible to over-tighten the retaining nut.
3. Tighten set screw in housing to lock retaining nut in place.

#### PILLOW BLOCK HOUSING

1. Follow directions above on both nuts on either side of the housing.

Please Note: When converting from floating to fixed on a bearing that is mounted in the application, the set screws on the collars must be loosened to allow the insert to move in the housing and on the shaft.

# Warnings & Cautions, Lubrication & Installation Instructions

## HUBFLEX® FLEXIBLE SHAFT COUPLINGS

CONGRATULATIONS...Your decision to purchase a HUBFLEX® Flexible Shaft Coupling System from HUB CITY will provide you with trouble free service if the following installation instructions are adhered to.



### IMPORTANT SELECTION INFORMATION

Read ALL instructions prior to operating coupler. Injury to personnel or reducer failure may be caused by improper installation, maintenance or operation.

Check to make certain application does not exceed the allowable load capacities published in the current catalog.

Written authorization from HUB CITY is required to operate or use couplings in man lift or people moving devices.

The system of connected rotating parts must be free from critical speed, torsional, or other type vibration, regardless of how induced. The responsibility for this system analysis lies with the purchaser of this product.

Buyer shall be solely responsible for determining the adequacy of the product for any and all uses to which Buyer shall apply the product. The application by Buyer shall not be subject to any implied warranty of fitness for a particular purpose.

### INSTALLATION



Wear protective clothing and eye shields when installing or maintaining unit and machine.



Make certain that the power supply is disconnected before attempting to service or remove any components. Lock out the power supply and tag it to prevent unexpected application of power.



### SHIELD ALL ROTATING PARTS

For safety, purchaser or user must provide protective guards over all shaft extensions and any moving apparatus mounted on the unit. The user is responsible for checking and complying with all applicable safety codes in his area and providing suitable guards. Failure to do so may result in bodily injury and/or damage to equipment.



Couplings are not to be considered fail-safe or self-locking devices. If these features are required, a properly sized, independent holding device should be utilized.



Any brakes that are used in conjunction with a coupling must be sized or positioned in such a way so as to not subject the reducer to loads beyond the catalog rating.

Please follow the step by step installation instructions to properly install HUBFLEX® Couplings:

Required components:

- 2 Hubs
- 1 Insert
- 1 Cover with hardware\*

\*Identify what style cover you are using as this will determine the proper installation procedure.

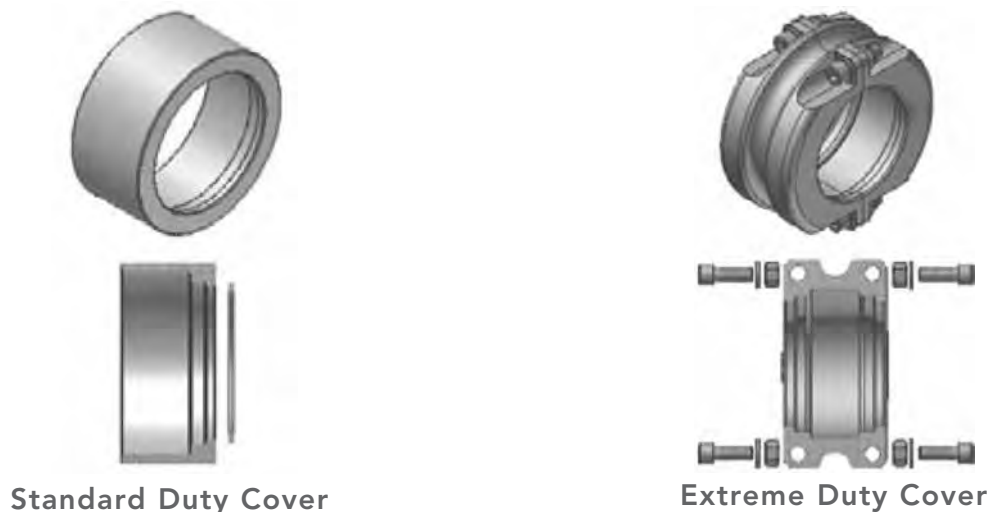
There are two types of covers (Figure 1):

1. Standard Cover (SD): for coupling sizes HF10 through HF40 a standard snap ring secures cover in place.
2. Extreme Duty Horizontal Split Cover (XH): It is a free floating cover that encapsulates the insert and the shoulder of both hubs. Each cover assembly comes with four socket head cap screws to secure the two halves together.

# Warnings & Cautions, Lubrication & Installation Instructions

## HUBFLEX® FLEXIBLE SHAFT COUPLINGS

Figure 1. HUBFLEX® covers and types, and included hardware.



### Installation Instructions:

1. Confirm bore sizes of each coupling half and the corresponding shaft diameter to ensure that you have the proper bore size.
2. Ensure that the shafts are clean and free from burrs.
3. Verify cover style:
  - When using a Standard Duty Cover (SD), it should be located on the driven shaft. If space is limited, then it can be mounted on the drive shaft. Slide snap ring first, then Standard Duty Cover (SD) with larger opening facing the shaft separation.
  - When using an Extreme Duty Horizontal Split Cover (XD), proceed to step 4.
4. Installing the first hub: It should be mounted so that the end of the shaft is flush with surface "A" as shown in Figure 2. It is acceptable for the shaft to extend past "A" as long as it is not past the teeth shown as "B".
5. Please note: Standard hubs are supplied with a clearance fit and should slide onto the shaft without excessive force. If the hubs have been ordered with interference fit (shrink fit), then heat the coupling halves to approximately 572 degrees Fahrenheit (300 degrees Celsius) before installing on shafts.
6. With the insert in place, install the second hub. This will automatically set the hubs at the minimum hub gap (E min) dimension to ensure proper clearance. Please see Table 1 for specific E min and E max dimensions.
7. Now ensure both hubs are securely tightened to the shafts.
8. Check coupling for misalignment and align as necessary. Please refer to Table 2 for misalignment tolerances.
9. Installation of cover:
  - Standard Duty Cover (SD): slide the cover over hub and insert until the step in the cover contacts the shoulder of the hub. Use snap ring pliers to slide snap ring over hub and into snap ring groove in hub to hold the cover in place.
  - Extreme Duty Horizontal Split Cover (XH): place each half over the insert and shoulder on hubs. Secure the two housing halves together by using the included hardware set supplied.

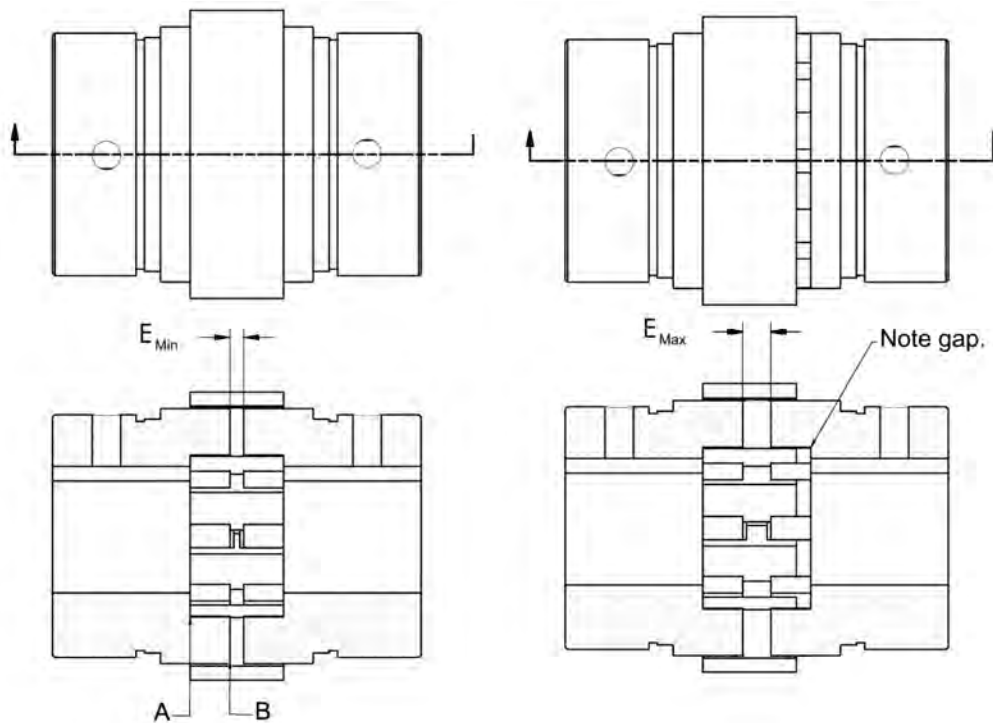
### Maximum RPM and Balance:

The HUBFLEX® coupling inherently has good dynamic balance due to our manufacturing process. In high speed applications, it is important that the key used to attach hubs to shaft is the same length as the hub. The set screws should also be changed to full length to fill the hole. Please refer to Table 1 for maximum RPM ratings.

# Warnings & Cautions, Lubrication & Installation Instructions

## HUBFLEX® FLEXIBLE SHAFT COUPLINGS

Figure 2. HUBFLEX® shaft-to-hub alignment.



**Table 1. EMIN and EMAX Dimensions.**

COUPLING SERIES	MAXIMUM RPM	STANDARD DUTY EMIN	STANDARD DUTY EMAX	EXTREME DUTY EMIN	EXTREME DUTY EMAX
HF10	4000*	0.062	0.092	—	—
HF20	4000*	0.036	0.110	0.036	0.220
HF30	4000*	0.080	0.205	0.080	0.160
HF40	4000*	0.035	0.208	0.035	0.160
HF50	4000*	0.140	0.290	0.140	0.370
HF60	4000*	0.188	0.208	0.188	0.368
HF70	3800	0.100	0.230	0.100	0.318
Additional Sizes Available Soon:					
HF80	3400	0.125	0.250	—	—

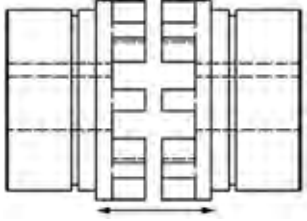
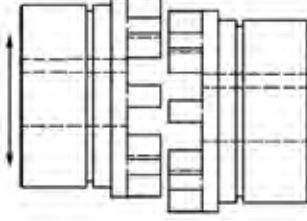
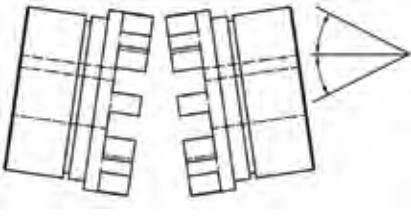
\*For applications over 4000 RPM, consult factory

# Warnings & Cautions, Lubrication & Installation Instructions

## HUBFLEX® FLEXIBLE SHAFT COUPLINGS

Table 2. Misalignment tolerances.

### HubFlex® Couplings Misalignment Tolerances

Coupling Series	Axial Misalignment Tolerance (in.)	Radial Misalignment Tolerance (in.)	Angular Misalignment Tolerance
HF10	0.078	0.020	2°
HF20	0.116	0.039	2°
HF30	0.116	0.039	2°
HF40	0.116	0.039	2°
HF50	0.156	0.058	2°
HF60	0.175	0.058	1.3°
HF70	0.234	0.058	1.3°
Additional Sizes Available Soon:			
HF80	0.234	0.058	1°
HF90	0.234	0.058	1°
HF100	0.312	0.058	1°
HF110	0.312	0.078	1°
HF120	0.312	0.078	1°
			



Make certain that all tools and other items are clear from rotating parts before starting machine. Stand clear, and start machine slowly to be sure all components are secure and operating properly.

### HUBFLEX® Spacer Coupling Installation Instructions

(For Spacer assembly with 2 spacers and 2 spacer hubs):

1. Confirm bore sizes of each spacer and the corresponding shaft diameter to ensure that you have the proper bore sizes.
2. Ensure that the shafts are clean and free from burrs.
3. Confirm distance between shaft ends (DBSE). Confirm that you have the correct spacer hubs for your DBSE.
4. Slide spacers onto shafts, do not tighten.
5. Assemble spacer hub to first spacer with bolts and washers supplied. Ensure the pilot on the spacer slides over spacer hub. Line up mounting holes on spacer with spacer hub. Tighten 4 bolts with washers. Note: if using two different spacer hub lengths, ensure that the longer of the two spacer hubs is on the driven shaft.



# Warnings & Cautions, Lubrication & Installation Instructions

## HUBFLEX® FLEXIBLE SHAFT COUPLINGS

Table 2. Misalignment tolerances.

6. Repeat #5 with remaining spacer and spacer hub.
7. See Table 1 for the E min and E max dimensions. If necessary, move hubs accordingly to ensure correct distance between spacer hubs. Wrap insert around spacer hub teeth to confirm. If using SD cover (Standard Duty Cover), ensure that your E min is .063.
8. Ensure coupling is centered between shaft ends. Securely tighten set screws in spacers to shafts.
9. Remove insert and check coupling for misalignment and align as necessary. Please refer to Table 2 for misalignment tolerances.
10. If using XH cover (Extreme Duty Horizontal Split Cover), proceed to step 15. If using an SD cover, remove the driven shaft spacer hub only by removing the 4 bolts. Slide SD cover over spacer hub and mount snap ring near the end of the spacer hub. Do not install snap ring in snap ring groove yet.
11. Reassemble spacer hub to spacer.
12. Align teeth and wrap insert around both sets of teeth.
13. Slide SD cover over insert.
14. Now install snap ring in snap ring groove.
15. You are now finished with installation of spacer coupling with SD cover.
16. Installation of XH cover: Align teeth and wrap insert around both sets of teeth.
17. Place each cover half over the insert and shoulder on hubs. Secure the two housing halves together by using the included hardware set supplied.
18. You are now finished installation of spacer coupling with XH cover.

### (For Spacer assembly with 1 spacer, spacer hub, and standard hub):

1. Confirm bore sizes of spacer and standard hub and the corresponding shaft diameter to ensure that you have the proper bore size.
2. Ensure that the shafts are clean and free from burrs.
3. Confirm distance between shaft ends (DBSE). Confirm that you have the correct spacer hubs for your DBSE.
4. If using XH cover, proceed to step #5. If using the SD (Standard Duty) cover, slide snap ring first, then SD cover, then standard hub on drive shaft, do not tighten.
5. Slide spacer onto driven shaft, do not tighten.
6. Assemble spacer hub to spacer with bolts and washers supplied. Ensure the pilot on the spacer slides over spacer hub. Line up mounting holes on spacer with spacer hub. Tighten 4 bolts with washers.
7. See Table 1 for the E min and E max dimensions. If necessary, move hubs accordingly to ensure correct distance between spacer hub and standard hub. Wrap insert around spacer hub teeth to confirm. If using SD cover, ensure that your E min is .063.
8. Ensure that both the spacer and standard hub have equal shaft engagement.
9. Remove insert and check coupling for misalignment and align as necessary. Please refer to Table 2 for misalignment tolerances.
10. Align teeth and wrap insert around both sets of teeth.

# Warnings & Cautions, Lubrication & Installation Instructions

## HUBFLEX® FLEXIBLE SHAFT COUPLINGS

Table 2. Misalignment tolerances.

11. If using the SD cover, slide SD cover over insert.
12. Now install snap ring in snap ring groove.
13. You are now finished with installation of spacer coupling with SD cover.
14. Installation of XH cover: Align teeth and wrap insert around both sets of teeth.
15. Place each half over the insert and shoulder on hubs. Secure the two housing halves together by using the included hardware set supplied.
16. You are now finished installation of spacer coupling with XH cover.

## Important Information

In the event of the resale of any of the goods, in whatever form, Resellers/Buyers will include the following language in a conspicuous place and in a conspicuous manner in a written agreement covering such sale:

The manufacturer makes no warranties or representations, express or implied, by operation of law or otherwise, as to the merchantability or fitness for a particular purpose of the goods sold hereunder. Buyer acknowledges that it alone has determined that the goods purchased hereunder will suitably meet the requirements of their intended use. In no event will the manufacturer be liable for consequential, incidental or other damages.

Resellers/Buyers agree to also include this entire document including the warnings and cautions above in a conspicuous place and in a conspicuous manner in writing to instruct users on the safe usage of the product.

For assistance, contact or write your local Industrial Power Transmission Distributor, or the factory office.

**TERMS AND CONDITIONS OF SALE****ALL QUOTATIONS ARE OFFERED AND ALL PURCHASE ORDERS ARE ACCEPTED BY SELLER SUBJECT ONLY TO THESE TERMS AND CONDITIONS.**

For the full version of the Terms and Conditions of Sales with Supplements A and B -  
Visit <http://www.regalbeloit.com/what-we-do/products-brands/>

Regal STCS Rev 5-14

**1. DEFINITIONS:** "Buyer" means the entity to which Seller is selling Products or Services under a Contract. "Contract" means the agreement between Buyer and Seller governing the sale of Products and/or Services by Seller to Buyer. These Terms and Conditions, the Quotation (if one is issued by Seller), any purchase order acknowledgement (if one is issued by Seller), and Buyer's purchase order (except to the extent that it conflicts with these Terms and Conditions, the Quotation, and/or the order acknowledgement) constitute the Contract. "Products" means the equipment, parts, materials, supplies, and other goods that Seller has agreed to supply under the Contract. References in these Terms and Conditions to the purchase and sale of Products may mean, where applicable, the licensing of Software loaded on or provided with the Products. "Quotation" means Seller's statement identifying the Products and Services, together with any quantity, price, delivery schedule, and/or other terms and conditions (in addition to or different from these Terms and Conditions), offered by Seller for sale to Buyer. A Quotation that incorporates these Terms and Conditions by reference shall be deemed to include these Terms and Conditions, whether or not Seller provides a complete copy of these Terms and Conditions to Buyer with the Quotation, with a purchase order acknowledgement, or with an invoice. Where there is a conflict between these Terms and Conditions and other provisions of the Quotation, the latter shall control. "Services" means the services that Seller has agreed to provide under the Contract. "Software" means software loaded on or provided with the Products. "Seller" means the Regal entity - whether Regal Beloit Corporation ("RBC") or an RBC subsidiary - supplying Products and/or providing Services under the Contract. "Terms and Conditions" means these "Terms and Conditions of Sale."

**2. CONTRACT FORMATION:** No agreement or understanding, oral or written, purporting to modify these Terms and Conditions shall be binding on Seller unless it is made in writing, specifically stating that it is a modification of these Terms and Conditions and it is signed by Seller's authorized representative. No course of dealing, usage of trade, or course of performance shall be relevant to explain or supplement any of these Terms and Conditions. If these Terms and Conditions are deemed an offer, Buyer's acceptance of Seller's offer is expressly limited to acceptance of these Terms and Conditions. Fulfillment of Buyer's order does not constitute acceptance of any of Buyer's terms and conditions and does not modify or amend these Terms and Conditions. Buyer's purchase order for the purchase of Products and/or for the performance of Services shall constitute Buyer's assent to these Terms and Conditions. Any terms and conditions contained in Buyer's purchase order or other form of communication from Buyer that are additional to or different from these Terms and Conditions, shall be deemed rejected by Seller, unless expressly accepted in writing by Seller's authorized representative. Alternatively, if these Terms and Conditions are deemed to be a response to, an acceptance of, or a written confirmation of, Buyer's offer, whether provided in the form of a purchase order or otherwise, Seller's acceptance is expressly conditioned upon Buyer's assent to these Terms and Conditions. Buyer's acceptance of Products tendered to Buyer by Seller shall constitute Buyer's express assent to all of the terms and conditions contained in these Terms and Conditions. All proposals, negotiations and representations, if any, made prior to or with reference hereto are hereby superseded by these Terms and Conditions. References in this Section to "these Terms and Conditions" shall be deemed to mean these Terms and Conditions and Seller's Quotation, if Seller has issued a Quotation.

**3. ACCEPTANCE OF PURCHASE ORDERS:** No Buyer purchase order shall be binding on Seller until accepted in writing by Seller, and Seller shall have no liability to Buyer with respect to purchase orders that are not accepted. Shipment against a purchase order shall be deemed to constitute Seller's acceptance thereof, subject to these Terms and Conditions. All purchase orders shall be subject to these Terms and Conditions, whether or not the purchase orders so state. Purchase orders accepted by Seller may not be cancelled or modified by Buyer without the prior written consent of Seller.

**4. QUOTATIONS:** Quotations shall expire and shall be void thirty (30) days from date of the Quotation, unless otherwise specified in the Quotation. The Quotation may be modified or withdrawn by Seller at any time before Seller's receipt of Buyer's conforming acceptance.

**5. PRICES; PRICE CHANGES:** (a) Products. The price of the Products sold pursuant to the Contract shall be as set forth in the Quotation. If price is not specified in the Quotation, price shall be based upon Seller's prices in effect at the time of shipment. Published prices are for Products of Seller's current standard design and constructed of standard materials. Variation from the standard design and/or materials requires special pricing. Seller reserves the right at any time, and without incurring any obligation, to discontinue the manufacture of any model, to withdraw products from sale, to make changes in design, and/or to add improvements to products. Price also shall be based on freight rates in effect at the time of shipment. Where applicable, in the event of an increase in the applicable freight rates before the shipment of Products, such changes will be for the account of Buyer. Price advances, discounts, extras and other terms and conditions are subject to change without notice. Unless otherwise provided in the Quotation, price is based on delivery in accordance with the "Delivery" section below. Prices include Seller's standard packing. (b) Services. Services prices are based on normal business hours (8 AM to 5 PM Monday through Friday). Overtime and Saturday hours will be billed at one and one half (1.5) times the normal business hour hourly rate. Sunday hours will be billed at two (2) times the normal business hours hourly rate; holiday hours will be billed at three (3) times the normal business hours hourly rate.

**6. TAXES, DUTIES AND FEES:** Seller shall be responsible for taxes measured on Seller's net income based upon performance of, or payment for, work under the Contract ("Seller Taxes"). Buyer shall be responsible for all other taxes, duties, fees or other charges of any kind (including, but not limited to any manufacturer's tax, retailer's occupation tax, use tax, sales tax, excise tax, duty, custom, inspection or testing fee, value added tax, or any other tax, fee or charge of any nature whatsoever) imposed by any governmental authority against Buyer, Seller or Seller's suppliers and/or contractors, based upon the Contract between Seller and Buyer. In the event Seller is required to pay any such tax, fee or charge, regardless whether such tax, fee or charge is imposed before or after Seller's delivery of the Products and/or Buyer's payment under the Contract, Buyer shall reimburse Seller therefor. In lieu of such reimbursement, Buyer shall provide Seller, at the time the order is submitted, with an exemption certificate or other document acceptable to the authority imposing such tax, fee or charge. If Seller's prices include any taxes, duties or fees (other than Seller Taxes), any change in such taxes, duties and/or fees shall be the basis for a price adjustment.

**7. TERMS OF PAYMENT:** (a) Terms. Terms of payment are cash in full, without set-off or discount, in U.S. dollars, and by wire transfer, no later than thirty (30) days from date of invoice. (b) Payment Default. If Buyer defaults in any payment when due, or in the event that any voluntary or involuntary bankruptcy or insolvency proceedings involving Buyer are initiated by or against Buyer, then the whole Contract price shall immediately become due and payable upon demand, or Seller, at its option and without prejudice to its other lawful remedies, may defer delivery or cancel the Contract. Where delivery is deferred and Seller does not demand immediate payment of the full Contract price, pro-rata payments shall become due as shipments are made. (c) Buyer Financial Condition. If, during the period of performance of the Contract, the financial condition of Buyer is determined by Seller not to justify the terms of payment specified, Seller may demand full or partial payment in advance before proceeding with the work, or satisfactory security or guarantees that invoices will be promptly paid when due, or, at its option, without prejudice to other lawful remedies, may defer delivery or cancel the Contract. (d) Delay. If delivery is delayed by Buyer, which delay must be consented to by Seller, Seller may store the Products in accordance with subsection 8(e) "Storage" below and Seller may submit a new estimate of cost for completion based on prevailing conditions. Payments shall become due from the date on which Seller is prepared to deliver the Products and storage shall be the Buyer's risk and expense as provided in subsection 8(g) "Storage" below. If manufacture is delayed by Buyer for any cause, a partial payment based upon the proportion of the order completed shall become due from the date on which Seller is notified of the delay. (e) Late Payment Charge. Buyer shall pay a late payment charge on all amounts not paid in full when due at the rate of one and one half percent (1.5%) per month or at the maximum legally permissible rate, whichever is lower. (f) Exceptions. Supplement A to these Terms and Conditions lists Seller business units for which payment terms vary from payment terms set forth in this Section 7.

**8. DELIVERY; TITLE TRANSFER; RISK OF LOSS/DAMAGE:**

(a) Delivery - U.S. Buyer. For sales in the U.S. that do not involve export from the U.S., Seller shall deliver Products to Buyer EXW Seller's U.S. point of shipment (Incoterms® 2010). The point of shipment shall be the shipping dock of Seller's factory, warehouse or other facility that Seller designates as its discretion as point of shipment from time to time. (b) Sales Involving Exports from U.S. (1) Delivery - U.S. Buyer; Subsequent Drop Shipment to Location Outside U.S. For sales in the U.S. to a U.S. Buyer, which involve drop shipment at Buyer's request and/or on Buyer's behalf, to a location outside the U.S., Seller shall deliver the Products to Buyer EXW Seller's U.S. point of shipment (Incoterms® 2010). The point of shipment shall be the shipping dock of Seller's factory, warehouse or other facility that Seller designates at its discretion as its point of

shipment from time to time. Buyer is responsible for all transportation charges incurred after delivery of the Products to the carrier or Buyer at the point of shipment and shall reimburse Seller for any transit insurance or freight pre-paid for the Products by Seller. Buyer shall bear the risk of loss and/or damage in transportation. Buyer is responsible for filing any export documents required for export from the U.S. (2) Delivery - Non-U.S. Buyer; Routed Export Transactions. For sales in the U.S. to a non-U.S. Buyer, Seller shall deliver Products to Buyer's freight forwarder EXW Seller's U.S. point of shipment (Incoterms® 2010). The point of shipment shall be the shipping dock of Seller's factory, warehouse or other facility that Seller designates at its discretion as its point of shipment from time to time. In a "Routed Export Transaction," as defined in the U.S. Census regulations, 15 CFR Section 30.3, where Buyer is a non-U.S. entity, Buyer shall authorize Buyer's designated freight forwarder or Seller to facilitate the export of the Products from the U.S. and to prepare and file export documentation with respect to such export transaction (hereafter, to "Facilitate the Export"). If Buyer authorizes its designated freight forwarder to Facilitate the Export, Buyer's freight forwarder shall provide Seller with a copy of the final export documentation and proof of filing. If Buyer authorizes Seller to Facilitate the Export, Buyer shall cause Buyer's freight forwarder to provide Seller the information needed by Seller to Facilitate the Export. Buyer shall give timely notice to Seller identifying whom it has designated to Facilitate the Export. (c) Delivery Dates. Delivery dates are approximate, are not guaranteed and are based upon prompt receipt by Seller from Buyer of all necessary shipping and other information. Seller may deliver in advance of the delivery schedule. Seller reserves the right to make delivery in installments, with all installments to be separately invoiced and paid for by Buyer when due per invoice, without regard to subsequent deliveries. Delivery of the Products to a commercial carrier at the shipping point shall constitute delivery to Buyer. (d) Title Transfer. Title to Products shall pass to Buyer upon the earlier of delivery of the Products to the carrier or Buyer at the point of shipment in accordance with subsection (a) above, except that, for Routed Export Transactions, title shall transfer to Buyer upon delivery to Buyer's designated freight forwarder. Subject to applicable law, Seller, upon notice to Buyer, may retain title to the Products until such time as Seller receives payment in full from Buyer. Title to Software shall not pass to Buyer and is subject to the applicable license. (e) Risk of Loss/Damage. Risk of loss and/or damage shall pass to Buyer upon delivery in accordance with subsection (a) above, except that, for Routed Export Transactions, risk of loss and/or damage shall pass upon delivery of the Products to Buyer's designated freight forwarder. (f) Delivery by Seller's Carrier. Where the parties agree that delivery shall be made at a location other than Seller's point of shipment, where Seller will deliver using its carrier or Seller's privately owned or leased trucks, unloading at the agreed location shall constitute delivery to Buyer. Freight and handling charges by Seller may not reflect actual freight charges prepaid to the carrier by Seller due to incentive discounts earned by Seller based upon Seller's aggregate volume of freight tendered to a carrier or when a carrier must be used which charges a rate which is different than the rate upon which Seller's freight and handling charges were based. When shipments are delivered in Seller's privately owned or leased trucks, Buyer will be charged an amount approximating the prevailing common carrier rate. (g) Storage. In the event that Buyer is unable to accept delivery of the Products at the time of shipment, Seller shall invoice Buyer for the full purchase price as if shipment had been made and: (i) if Seller is able to store such Products in its own facilities, Buyer will pay Seller the reasonable handling and storage charges for the period of such storage, or (ii) if Seller is unable to store such goods at its own facility, Seller reserves the right to arrange handling and storage in a suitable bonded warehouse for Buyer at Buyer's expense. In cases where handling and storage become necessary, it shall be Buyer's responsibility to notify Seller when shipment is to be made. Seller will make necessary arrangements for shipment at Buyer's expense.

**9. EXCUSABLE DELAYS; FORCE MAJEURE:** (a) Excuse of Performance. Seller shall not be liable for any ordinary, incidental, or consequential loss or damage as a result of Seller's delay in or failure of delivery, or installation of Products or performance of Services due to (i) any cause beyond Seller's reasonable control, (ii) an act of God, act of Buyer, embargo or other government act, authority, regulation or request, fire, theft, accident, strike, slowdown or other labor disturbance, war, armed conflict, act or threat of terrorism, riot, epidemic, delay in transportation, or (iii) inability to obtain necessary labor, materials, components, or facilities. Should any of the aforementioned events occur, Seller, at its option, may cancel Buyer's order with respect to any undelivered Products or incomplete Services or extend the delivery date for a period equal to the time lost because of delay. Notice of such election shall be given promptly to Buyer. In the event Seller elects to so cancel the Contract, Seller shall be released of and from all liability for failure to deliver the Products or to perform the Services, including, but not limited to, any and all claims on behalf of Buyer for lost profits, or any other claim of any nature which Buyer might have. If shipping or progress of the work is delayed or interrupted by Buyer, directly or indirectly, Buyer shall pay Seller for all additional charges resulting therefrom. (b) Allocation. If Seller determines that its ability to meet the demand for products, including the Products, or to obtain labor, materials, components or facilities is hindered, limited or made impracticable due to causes set forth in subsection (a) above, Seller may allocate its available supply of products, including the Products, among itself and its purchasers on such basis as Seller determines to be equitable without liability for any failure of performance which may result therefrom.

**10. LIMITED WARRANTY.** (a) Scope and Period. (1) Products. Seller warrants that the Products shall be delivered free from defects in material, workmanship and title and shall conform to Seller's specification agreed upon in a written and signed agreement by Buyer and Seller, if applicable, for the Products. This warranty shall expire twelve (12) months from first use of the Product or eighteen (18) months from date of manufacture of the Product, whichever occurs first. (2) Repaired and/or Replaced Products and/or Parts of Products. Seller warrants that the repaired or replaced Products or parts of Products shall be delivered free from defects in material, workmanship and title. In the case of repaired or replaced Products or parts of Products comprising warranty remedies for Products, this warranty shall expire upon expiration of the warranty period applicable to the Products originally supplied by Seller. In the case of other repaired or replaced Products or parts of Products, this warranty shall expire twelve (12) months from the date of repair or manufacture of the Products or parts of the Products. (3) Services. Seller warrants that the Services shall be performed in a competent and diligent manner in accordance with any mutually agreed specification. This warranty shall expire ninety (90) days from the date of completion of such Services. (4) Software. Seller warrants that the Software shall execute, at time of delivery, in accordance with the specification agreed upon in a written and signed agreement by Buyer (as licensee) and Seller (as licensor) when properly installed in the Products. The warranty shall expire six (6) months from date of manufacture of the first Product in which the Software is loaded. (5) Applicability. This warranty shall apply to any Products and/or Software bought, acquired, and/or used by an entity that, or person who, acquires the Products and/or Software from Buyer (a "Transferee"), except that any claim made against Seller pursuant to this warranty shall be made by Buyer only. Seller shall not be bound by this Section 10 to satisfy a claim under this Section made against Seller by a Transferee, whether such Transferee is a direct or indirect Transferee of Buyer, Buyer shall provide any Transferee of a Product or Software written conspicuous notice of Sections 10 and 11 hereof. (6) Exceptions. Supplement B to these Terms and Conditions lists Seller Products, parts, Services and Software for which Seller's warranties vary from the warranties set forth in this subsection 10(a). (b) Remedies. (1) Products. If, prior to expiration of the warranty period set forth in subsection 10(a)(1), above, any Products shall be proved to Seller's satisfaction to be defective or nonconforming with the warranty set forth therein, Seller will repair or replace such defective Products or components thereof, FCA Seller's factory, warehouse or other facility that Seller designates at its discretion as point of shipment from time to time (Incoterms® 2010), or will refund or provide Buyer with a credit in the amount of the purchase price paid therefor by Buyer, at Seller's sole option. Buyer's exclusive remedy and Seller's sole obligation under this warranty shall be limited to such repair or replacement, FCA factory, warehouse or other facility that Seller designates at its discretion as point of shipment from time to time (Incoterms® 2010), or refund or credit by Seller, and shall be conditioned upon Seller's receiving written notice of any defect and/or nonconformance within a reasonable period of time, but in no event more than thirty (30) days, after it was discovered or by reasonable care should have been discovered. All claims not made in writing and received by Seller within such thirty (30) day period shall be deemed waived. In no event shall Seller's liability for such defective or nonconforming Products exceed the purchase price paid by Buyer for such Products. With prior approval from Seller, Buyer shall return the alleged defective Product or part, freight prepaid, for Seller's inspection, and no other Products shall be returned to any Seller office, factory, warehouse, authorized service center or other facility, without Seller's written consent. (2) Repaired and/or Replacement Products and/or Parts of Products. If prior to the expiration of the applicable warranty period set forth in subsection 10(a)(2) above, any replacement Products and/or parts of Products shall be proved to Seller's satisfaction to be defective or nonconforming with the warranty set forth therein, the remedy set forth in subsection 10(b)(1) above shall apply to such replacement Products and/or parts of Products. (3) Services. If, prior to expiration of the warranty period set forth in subsection 10(a)(3), above, any Services shall be proved to Seller's satisfaction to be nonconforming with the warranty set forth therein, Seller will re-perform such nonconforming Services. If the Services cannot be re-performed, Seller, at its option, shall refund or credit monies paid by Buyer for such nonconforming Services. (4) Software. If, prior to expiration of the warranty period set forth in subsection 10(a)(4) above, (i) Buyer provides, in writing, a complete description of

the claimed nonconformance in the Software, and (ii) the Software is proven to Seller's satisfaction to be so nonconforming with the warranty set forth therein, Seller will correct the nonconformance by, at its option: (i) modifying or making available to Buyer instructions for modifying the program causing such nonconformance, or (ii) making available a corrected or replacement program FCA Seller's factory, warehouse or other facility that Seller designates at its discretion as point of shipment from time to time (Incoterms® 2010). (c) Exclusions - The warranties set forth in this Section 10 do not cover: (1) shipping expenses to and from Seller's office, factory, warehouse, authorized service center or other destination designated by Seller for repair or replacement of defective Products or any tax, duty, custom, inspection or testing fee, or any other charge of any nature related thereto; (2) costs of removing defective Products from, and/or disassembling, equipment in which Products are assembled or reinstalling Products and/or reassembling such equipment, or testing repaired or replaced Products and/or the equipment; (3) field service travel and living costs and expenses; (4) Products subjected to abuse, neglect, negligence, misuse, misapplication, accident, damages by circumstances beyond Seller's control, improper installation (if by anyone other than Seller), improper operation (including, but not limited to, operation in excess of rated capacity or otherwise not in accordance with installation, maintenance, or operating instructions or requirements) improper maintenance, improper storage, and/or any other than normal use or service; (5) Products maintained, serviced, repaired or altered by anyone other than Seller or Seller's authorized service agencies; (6) Products and/or parts not manufactured by Seller; for Products furnished by Seller, but manufactured by others, Seller will assign to Buyer the written warranty, if any, of the manufacturer, if assignment is reasonably practicable; however, Seller does not adopt or guarantee or represent that the manufacturer will comply with any of the terms of the warranty of such manufacturer; but, in no event shall Seller's obligations be greater than those provided under Seller's warranty set forth in this Section 10; and/or (7) failures of the Software to be interruption-free or error-free or to meet Buyer's or any other party's requirements; and, problems caused by use of the Software in conjunction with third-party software, hardware, or products. (d) **DISCLAIMER: THE FOREGOING WARRANTIES ARE IN LIEU OF ALL OTHER EXPRESS AND IMPLIED WARRANTIES, ARISING BY OPERATION OF LAW OR OTHERWISE, INCLUDING, WITHOUT LIMITATION, THE IMPLIED WARRANTIES OF MERCHANTABILITY AND FITNESS FOR A PARTICULAR PURPOSE, WHETHER OR NOT THE PURPOSE OR USE HAS BEEN DISCLOSED TO SELLER IN SPECIFICATIONS, DRAWINGS, OR OTHERWISE AND WHETHER OR NOT SELLER'S PRODUCTS ARE SPECIALLY DESIGNED AND/OR MANUFACTURED BY SELLER FOR BUYER'S USE OR PURPOSE. NO EMPLOYEE, REPRESENTATIVE, OR AGENT OF SELLER OTHER THAN AN OFFICER OF SELLER IS AUTHORIZED TO ALTER OR MODIFY ANY PROVISION OF THIS SECTION 10 OR TO MAKE ANY GUARANTEE, WARRANTY, OR REPRESENTATION, EXPRESS OR IMPLIED, ORALLY OR IN WRITING, WHICH IS CONTRARY TO THE FOREGOING.** Except where Buyer and Seller agree in a written and signed agreement upon the specifications applicable to the Products, Software, and/or Services, any description of the Products, Software, and/or Services, whether in writing or made orally by Seller or Seller's agents, specifications, samples, models, bulletins, drawings, diagrams, engineering sheets or similar materials used in connection with Buyer's order are for the sole purpose of identifying the Products and shall not be construed as an express or implied warranty. Any suggestions by Seller or Seller's agents regarding use, application or suitability of the Products shall not be construed as an express or implied warranty unless confirmed to be such in writing by Seller's authorized officer.

**11. LIMITATIONS OF REMEDY AND LIABILITY:** (a) Breach of Warranty Claims. Buyer's only remedy for breach of any warranty under the Contract, other than the warranty provided under Section 13 "Intellectual Property Indemnity," shall be the applicable remedy set forth in Section 10 "Limited Warranty" above. Seller's total liability for any and all breach of warranty claims under the Contract shall not exceed the purchase price allocable to the Product, Software or Service or part thereof which gives rise to the claim. (b) Other Claims. Seller's liability for any claim other than a breach of warranty claim under Section 10 "Limited Warranty," whether in contract, negligence, tort, strict liability, indemnity or otherwise for any loss or damage arising out of, connected with, or resulting from the Contract or the performance or breach thereof, or from the design, manufacture, sale, delivery, resale, repair, replacement, installation, technical direction of installation, inspection, operation or use of any Products covered by or furnished under the Contract or from Services rendered under the Contract, shall in no case (except as provided in Section 13 "Intellectual Property Indemnity") exceed five percent (5%) of the purchase price allocable to the Products or part thereof or Services giving rise to the claim. (c) Consequential Damage Disclaimer. SELLER SHALL NOT BE LIABLE FOR AND DISCLAIMS ALL CONSEQUENTIAL, INCIDENTAL, CONTINGENT, SPECIAL OR PUNITIVE DAMAGES WHATSOEVER. Seller shall not be liable for lost profits or revenues, loss of use of the Products, Software or any related equipment or systems, cost of capital, cost of substitute products, cost of facilities or services, business interruption, downtime, shutdown, or slowdown costs, any other types of economic loss, penalties, special or punitive damages, and claims of Buyer's customers for any such damages. (d) Expiration of Claims. All claims against Seller arising out of or related to the Contract or the performance or breach thereof shall expire unless made and presented to Seller in writing by Buyer before expiration of the applicable warranty period. (e) Precedence. The limitations of this Section shall apply regardless of whether a claim is based in contract, tort (including negligence), warranty, strict liability, intellectual property, or otherwise, and shall take precedence over any conflicting terms and conditions, except where the limitations of liability of such conflicting terms limit Seller's liability further.

**12. INDEMNITY:** (a) Third party claims. Each of Buyer and Seller (each an "Indemnified Party" and an "Indemnifying Party") shall indemnify the other party from and against claims brought by a third party, for bodily injury or damage to the third party's tangible property, to the extent such injury and/or damage is caused by the negligence of the Indemnifying Party, provided that the Indemnified Party gives the Indemnifying Party prompt notice of any such claim and all necessary information and assistance so that the Indemnifying Party, at its option, may defend or settle such claim and the Indemnified Party does not take any adverse position in connection with such claim. In the event that the injury or damage is caused by joint or concurrent negligence of Buyer and Seller, the loss or expense shall be borne by each party in proportion to its degree of negligence. For purposes of Seller's indemnity obligations hereunder, Products shall not be considered third party property and the facility in which a Product or Software is used and/or the Services are performed shall not be considered third party property. (b) Indemnity by Buyer for Third Party Warranty Claims. If Buyer supplies Products or Services to a third party, uses Products or Services at a facility owned by a third party, and/or transfers Products and/or Software to a third party, Buyer shall indemnify and defend Seller from and against any and all claims by, and liability to, any such third party in excess of the limitations set forth in Sections 10 "Limited Warranty" and 11 "Limitations of Remedy and Liabilities." For purposes of this subsection (b), "Seller" means Seller, its affiliates, suppliers, contractors, licensors and their employees.

**13. INTELLECTUAL PROPERTY INDEMNITY:** Seller warrants that, to the best of its knowledge, Products, Services and/or Software furnished hereunder, and any part thereof, (each a "Delivered Item") shall be delivered free of any rightful claim of any third party not affiliated with Buyer for infringement of any U.S. patent, any trademark registered in the U.S. Patent and Trademark Office and/or any copyright registered in the U.S. Copyright Office. Seller will, at its own expense, defend or settle any suits that may be instituted against Buyer for alleged infringement by the Delivered Item of any U.S. patent, any trademark registered in the U.S. Patent and Trademark Office and/or any copyright registered in the U.S. Copyright Office provided that: (a) such alleged infringement consists of the use of the Delivered Item for (i) any of the purposes for which Buyer informed Seller such Delivered Items would be used, or (ii) if Buyer did not so inform Seller, any of the purposes for which Buyer reasonably believed such Delivered Items would be used; (b) Buyer shall have made all payments for such Delivered Items then due hereunder; (c) Buyer shall give Seller immediate notice in writing of any such suit and transmit to Seller immediately upon receipt of all processes and papers served upon Buyer; (d) Buyer does not take any position adverse to Seller in connection with such claim; and (e) Buyer shall permit Seller through Seller's counsel, either in the name of Buyer or in the name of Seller, to defend such suit(s) and give all needed information, assistance and authority to enable Seller to do so.

In case of a final award of damages in any such suit, Seller will pay such award but will not be responsible for any compromise or settlement made without its written consent. In case the Delivered Item itself is in such suit held to infringe any valid patent issued in the United States and/or a trademark and/or copyright registered in the United States, and its use is enjoined, or in the event of a settlement or compromise approved by Seller which shall preclude future use of the Delivered Item, Seller shall, at its own expense and at its sole option, either: (a) procure rights to continue using such Delivered Item; (b) modify the Delivered Item to render it non-infringing; (c) replace the Delivered Item with a non-infringing Product and/or Software; or (d) refund the purchase price paid by Buyer for the Delivered Item after return of the Delivered Item to Seller (less reasonable depreciation for any period of use). Notwithstanding the foregoing, Seller shall not be held responsible for claims of infringement of any patents covering the use of the Delivered Item in combination with other goods or materials not furnished by Seller.

The foregoing states the entire liability of Seller for intellectual property infringement, and IN NO EVENT SHALL SELLER BE LIABLE FOR CONSEQUENTIAL OR INCIDENTAL DAMAGES ATTRIBUTABLE TO AN INTELLECTUAL PROPERTY INFRINGEMENT. Buyer, at its own expense, shall defend Seller against, and/or settle, (a) any patent, trademark, copyright or other intellectual property infringement claim pertaining to a Delivered Item furnished by Seller to Buyer manufactured in accordance with designs, drawings or other descriptions proposed or furnished by Buyer; and (b) any claim against Seller of contributory infringement resulting from the use or resale by Buyer of a Delivered Item sold hereunder. Buyer shall indemnify Seller for any award against

Seller or settlement by Seller regarding any such claims and attorneys' fees and defense costs incurred in defense of such claims.

**14. SOFTWARE LICENSE:** (a) License Grant: Seller grants Buyer a nonexclusive, royalty-free, perpetual, limited license to use the Software in the U.S. and solely in conjunction with (a) the operation of the Products purchased and sold under the Contract and/or other product meeting Seller's specifications; and (b) any other purpose agreed upon in a written and signed agreement between Buyer and Seller. (b) Scope of License: Upon Seller's prior written approval, Buyer may make a reasonable number of copies of Software as necessary for backup, configuration, installation, and restoration of the Products. Also upon Seller's prior written approval, Buyer may authorize a third-party contractor or service provider to exercise these rights on Buyer's behalf and for Buyer's benefit. Buyer may transfer possession of Software and its media to another party only in conjunction with the transfer of the Products on which the Software is loaded and only upon agreement of the other party to the terms and conditions of the Contract. Upon such transfer, Buyer shall destroy all Buyer's copies of Software and related documentation. All licenses and grants pursuant to the Contract shall immediately terminate once Buyer no longer rightfully owns or possesses the Products. No other rights under this license are granted. Upon Seller's request, Buyer shall provide Seller with written notice of any such transfer providing the name, address, and contact information of the subsequent Buyer within 15 days of such transfer. (c) Use Restrictions: Buyer shall not (a) copy, display, transfer, adapt, modify, or distribute in any form the Software except as set forth in the Contract or in Seller documentation provided by Seller to Buyer with the Software; (b) reverse engineer, disassemble, decompile, or otherwise translate the Software's object code, unless expressly permitted by applicable law without the possibility of contractual waiver; or (c) sublicense or lease the Software or any copy thereof except with the transfer of the Products on which the Software is loaded. Except as provided under the terms of Seller's standard escrow agreement between Seller and Buyer, if applicable, Buyer shall not to make available to any party, without prior written consent from Seller or its authorized agent, source code for the Software. Buyer shall not, directly or indirectly, export or re-export, or knowingly permit the export or re-export of, the Products, or any technical information about the Products, to any country for which the United States Export Administration Act, any regulation thereunder, or any similar United States law or regulation, requires an export license or other United States Government approval, unless Buyer obtains the appropriate export license and obtains written approval from Seller. (d) Maintenance and Support: Seller may offer to Buyer the option to purchase from Seller annual Software maintenance and support services under the terms and conditions of Seller's then-standard maintenance and support agreement. Buyer may renew this maintenance term at Seller's then-current maintenance rates. In the event Buyer purchases additional Software licenses, maintenance fees for such licenses shall be prorated to be coterminous with Buyer's existing maintenance period. In no event shall Seller be responsible for providing maintenance services for a period during which maintenance coverage is lapsed.

**15. SECURITY AGREEMENT AND FINANCING STATEMENTS:** As security for payment of the purchase price under the Contract, Buyer hereby irrevocably grants Seller a security interest in the Products purchased by Buyer, together with all accessories, attachments and replacement parts and all substitutions, replacements and proceeds thereof to secure payment of the purchase price and of all monies which may be due under the Contract. Buyer hereby authorizes Seller to file all financing statements, any amendments and continuations thereof, or any other documents necessary or reasonably required, for the perfection and protection of a security interest under applicable law, and to deliver notice to prior holders of security interests, of Seller's security interest in the Products to protect its interest.

**16. INSURANCE:** Until payment in full of the purchase price, Buyer shall maintain insurance covering all Products sold by Seller to Buyer in such amounts and against such risks as is customary by companies engaged in the same or similar business and similarly located, and shall, upon Seller's request, furnish evidence of such insurance satisfactory to Seller.

**17. DRAWINGS; OTHER DESIGN DATA:** All specifications, drawings, designs, data, information, ideas, methods, product samples, tools, gages, dies, fixtures, patterns and/or inventions made, conceived, developed or acquired by Seller in connection with procuring and/or executing the Contract will vest in and inure to Seller's sole benefit notwithstanding any charges therefor which may have been or may be imposed by Seller on Buyer. Buyer shall not give, loan, exhibit, sell or transfer to any person who is not a Buyer employee and authorized to receive such information, or to any organization or entity, any drawing, photograph, specification or product sample furnished by Seller or reproduction thereof which may enable such person, organization or entity to furnish similar products or parts therefor.

**18. RETURN OF PRODUCTS:** No Product or part shall be returned to Seller without written authorization and shipping instructions first having been obtained from Seller.

**19. ASSIGNMENT AND SUBCONTRACTING:** None of Buyer's rights under the Contract shall be assigned by Buyer to any other person, whether by operation of law or otherwise, without Seller's prior written approval. Seller may, without the necessity of obtaining Buyer's prior written consent, assign the Contract or subcontract the production of all or any portion of the Products and/or performance of the Services.

**20. CANCELLATION:** No purchase order submitted to Seller may be cancelled by Buyer without the prior written consent of Seller, which consent will at all times be conditioned on Buyer's agreement to pay Seller's cancellation charge. For a finished Product that, in Seller's judgment, is readily resalable to others, the cancellation charge shall be 15% of the invoice price of the Product. For all other cancellations, the cancellation charge shall amount to all cost and expenses incurred by Seller and arising out of or in connection with Buyer's purchase order plus reasonable profit. In no event shall the cancellation charge be less than 10% of the invoice price of the Product or more than the invoice price.

**21. HIGH RISK APPLICATION USE DISCLAIMER:** PRODUCTS AND SERVICES SOLD BY SELLER ARE NOT INTENDED FOR USE IN CONNECTION WITH ANY NUCLEAR FACILITY OR ACTIVITY, CRITICAL SAFETY SYSTEM, MEDICAL DEVICE, MILITARY DEVICE, SATELLITE, AVIATION EQUIPMENT, AIR TRAFFIC CONTROL EQUIPMENT, OR OTHER HIGH RISK APPLICATIONS (COLLECTIVELY, "HIGH RISK APPLICATIONS"). SELLER SHALL NOT USE OR PERMIT OTHERS TO USE PRODUCTS OR SERVICES FOR SUCH HIGH RISK APPLICATIONS WITHOUT SELLER'S PRIOR WRITTEN CONSENT. IF SO USED WITHOUT SELLER'S PRIOR WRITTEN CONSENT, SELLER DISCLAIMS ALL LIABILITY FOR ANY DAMAGE, INJURY OR CONTAMINATION, AND BUYER SHALL INDEMNIFY AND HOLD SELLER, ITS OFFICERS, AGENTS, EMPLOYEES, SUCCESSORS, ASSIGNS AND CUSTOMERS HARMLESS FROM AND AGAINST ANY AND ALL SUCH LIABILITY. SELLER'S CONSENT, IF ANY, WILL BE CONDITIONED UPON ADDITIONAL TERMS AND CONDITIONS ACCEPTABLE TO SELLER.

**22. GOVERNING LAW; VENUE:** These Terms and Conditions and the Contract shall be governed by and construed in accordance with the laws of the State of Wisconsin. Seller and Buyer irrevocably submit to the exclusive jurisdiction of the state courts located in Rock County, State of Wisconsin and the federal courts located in the State of Wisconsin, and Seller and Buyer waive any objection to venue or forum non conveniens, for the resolution of any dispute relating to these Terms and Conditions or the Contract. The rights and obligations of Seller and Buyer shall not be governed by the provisions of the United Nations Convention on Contracts for the Internal Sale of Goods.

**23. EXPORT/IMPORT:** Buyer shall comply, in the receipt and use of the Products and the Software, with all applicable import and export control laws, regulations, orders and requirements of the jurisdictions in which the Seller and Buyer are established or from which Products and Software are provided. Buyer shall not transfer, release, import, or export Products and/or Software in violation of such applicable laws, regulations or other legal requirements. Buyer shall provide a completed end-user certification in a form satisfactory to Seller upon Seller's request.

**24. ATTORNEYS' FEES:** Buyer agrees to pay all of Seller's costs and expenses of collection and related litigation, including but not limited to attorneys' fees and costs.

**25. SALVATORY CLAUSE:** The invalidity, in whole or in part, of any of the provisions of these Terms and Conditions, shall not affect the enforceability of any of the other provisions thereof.

**26. APPLICABILITY:** These Terms and Conditions as stated herein are applicable as of the date of this printing and until such time as changed by Seller.

For the full version of the Terms and Conditions of Sales with Supplements A and B - Visit <http://www.regalbeloit.com/what-we-do/products-brands/>

Regal STCS Rev 5-14

# Model Index

MODEL	RATINGS	DIMENSIONS	MODEL	RATINGS	DIMENSIONS	MODEL	RATINGS	DIMENSIONS
0331-xxxxx	SEE PAGE R20		FB260	M14	M25	PB251STW	O10	O3
0332-xxxxx	SEE PAGE R20		FB260CTW	O10-O11	O8	PB251UR	N3	N7
0334-xxxxx	SEE PAGE R20		FB260DRW	N3	N14	PB251W	M14	M19
0339-xxxxx	SEE PAGE R20		FB260HW	M14	M26	PB281WAH	M14	M8
1TWS200	NA	M34	FB260STW	O10	O4	PB350	M37	M38
3T200	NA	M33	FB260UR	N3	N13	PB350DRW	N3	N24
3TWS200	NA	M34	FB280HWAH	M14	M8	PB350H	M37	M39
6T200	NA	M33	FB290HWAH	M14	M9	PT21107	G12	G14
6T210	NA	M32	FB350	M37	M38	PT22115	G12	G14
6TWS200	NA	M34	FB350DRW	N3	N24	PT23203	G12	G14
9T200	NA	M33	FB350H	M37	M39	PT24207	G12	G14
9T210	NA	M32	FC250	M14	M27	PT25215	G12	G14
9TWS200	NA	M34	FC250URW	N3	N17	PT26307	G13	G14
12T200	NA	M33	FC350	M37	M40	PT27315	G13	G14
12T210	NA	M32	FC350URW	N3	N25	PT28407	G13	G14
12TWS200	NA	M34	FR250STW	O10	O5	PT29415	G13	G14
18T200	NA	M33	FR250URW	N3	N17	PT210507	G13	G14
18T210	NA	M32	FR250W	M14	M27	TPB220	M14	M21
18TWS200	NA	M34	HF10	SEE SECTION Q		TPB220UR	N3	N9
B220	M14	M35	HF20	SEE SECTION Q		TPB220URW	N3	N9
B220R	N3	N22	HF30	SEE SECTION Q		TPB220W	M14	M21
B220RW	N3	N23	HF40	SEE SECTION Q		TPB250	M14	M22
B250	M14	M35	HF50	SEE SECTION Q		TPB250CTW	O10-O11	O7
B250R	N3	N22	HF60	SEE SECTION Q		TPB250URW	N3	N10
B250RW	N3	N23	HF70	SEE SECTION Q		TPB250STW	O10	O3
B250TW	O10	O9	HF80	SEE SECTION Q		TPB250UR	N3	N10
B280WAH	M14	M9	KFB	P7	P12	TPB250W	M14	M22
B350	M37	M41	KFBE	P7	P15	TU220	M14	M28
B350RW	N3	N27	KPB	P7	P10	TU220UR	N3	N18
FB110	M14	M11	KPBE	P7	P13	TU220URW	N3	N19
FB110UR	N3	N11	PB120	M14	M10	TU220W	M14	M29
FB120	M14	M12	PB120UR	N3	N4	TU250	M14	M28
FB120UR	N3	N12	PB150	M14	M10	TU250STW	O10	O5
FB130	M14	M12	PB150UR	N3	N4	TU250UR	N3	N18
FB130UR	N3	N11	PB220	M14	M15	TU250URW	N3	N19
FB150	M14	M13	PB220DRW	N3	N6	TU250W	M14	M29
FB150UR	N3	N12	PB220HW	M14	M17	TU350	M37	M40
FB160	M14	M13	PB220UR	N3	N5	TU350URW	N3	N26
FB160UR	N3	N11	PB220W	M14	M16	WSTU220	M14	M30
FB220	M14	M23	PB221	M14	M15	WSTU220UR	N3	N20
FB220DRW	N3	N16	PB221DRW	N14	N6	WSTU220URW	N3	N21
FB220HW	M14	M24	PB221HW	M14	M17	WSTU220W	M14	M31
FB220UR	N3	N15	PB221UR	N3	N5	WSTU250	M14	M30
FB230	M14	M23	PB221W	M14	M16	WSTU250STW	O10	O6
FB230DRW	N3	N14	PB250	M14	M18	WSTU250UR	N3	N20
FB230UR	N3	N13	PB250DRW	N3	N8	WSTU250URW	N3	N21
FB230HW	M14	M24	PB250HW	M14	M20	WSTU250W	M14	M31
FB250	M14	M25	PB250UR	N3	N7	WSTU350	M37	M41
FB250CTW	O10-O11	O8	PB250W	M14	M19	WSTU350URW	N3	N26
FB250DRW	N3	N16	PB251	M14	M18	YW220	M14	M36
FB250HW	M14	M26	PB251CTW	O10-O11	O7	YW250	M14	M36
FB250STW	O10	O4	PB251DRW	N3	N8			
FB250UR	N3	N15	PB251HW	M14	M20			







# Application Oriented

Your application may be entirely different than the ones pictured on this page, but our customers have come from a multitude of industries over the past century we've been in business. Our products are used in material handling, packaging, medical equipment, food processing, transportation, construction, aerospace and marine applications...and it doesn't stop here. Over 50% of what we manufacture is either modified standard products or completely customized.

We know time is valuable, that's why you can count on HUB CITY for support, services and solutions to simplify your installation. Select from a complete line of standard or custom design products.

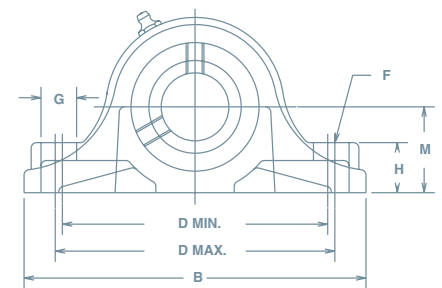


*Standard, modified & custom units are built for countless applications.*

## Solutions Driven

Does your application require CAD drawings? How about a configurator to aid your gear drive selection? Log on to [www.hubcityinc.com](http://www.hubcityinc.com) where you may access our catalog tool for configuring and selecting a gear drive or mounted bearing. Then download our 2D or 3D CAD drawings, browse through the standard and custom product overviews, read what's new at the "HUB," and order product literature. Download all of our product literature in an easy to use PDF format. If a custom gear drive is what your are looking for, there are several examples of HUB CITY's custom capabilities featured here.

Do you need to speak to a HUB CITY field salesperson? Contact information is located on the site, as well as a HUB CITY Authorized Distributor directory searchable by zip code.



- MEDICAL**
- FOOD PROCESSING**
- CONSTRUCTION**
- PACKAGING**
- TRANSPORTATION**
- AEROSPACE**
- AGRICULTURE**
- MATERIAL HANDLING**
- RECREATION**
- AND MANY MORE...**

- CUSTOMER SERVICE**
- CATALOG TOOLS**
- CONFIGURATOR**
- CAD DRAWINGS**
- CUSTOM PRODUCTS**
- STANDARD PRODUCTS**
- LOCATE DISTRIBUTORS**
- FIELD SALES OFFICES**

[www.hubcityinc.com](http://www.hubcityinc.com)

**Support • Service**  
**And Solutions**

# Located to Serve You!

24-Hour assembly and shipment, and on-the-shelf availability of our most sought after products

## Hub City Headquarters

2914 Industrial Avenue  
Aberdeen, SD 57402  
(605) 225-0360  
(800) 482-2489

## Hub City Florida

4725 Lakeland Commerce Pkwy., Suite 6  
Lakeland, FL 33805  
(863) 665-9374

## Hub City West

11034 Forest Place  
Santa Fe Springs, CA 90670  
(714) 776-1992  
(800) 551-6661

## Hub City Southwest

3251 Royalty Row  
Irving, TX 75062  
(972) 721-0080  
(800) 494-1918

## Hub City Midwest

9899 E. Cty Rd 200 South  
Avon, IN 46123  
(317) 837-1150  
(800) 253-4281

## Hub City Northeast

6520 Stonegate Drive  
Allentown, PA 18106  
(610) 391-9298  
(800) 452-1117

## Hub City Southeast

135 Cecil Court  
Fayetteville, GA 30214  
(770) 461-8334  
(800) 777-7159

## Hub City East

1011 Van Buren Avenue  
Indian Trail, NC 28079  
(704) 847-9131

## Hub City Canada

80 Hale Road Unit #1  
Brampton, Ontario L6W 3N9  
(905) 455-6969  
(888) 661-1889



2914 Industrial Avenue  
Aberdeen, SD 57402 USA  
PH: 605-225-0360  
FAX: 605-225-0567  
Email: [hubsales@regalbeloit.com](mailto:hubsales@regalbeloit.com)

[www.hubcityinc.com](http://www.hubcityinc.com)



Made in U.S.A.



A Regal Brand

**REGAL**

[www.regalbeloit.com](http://www.regalbeloit.com)